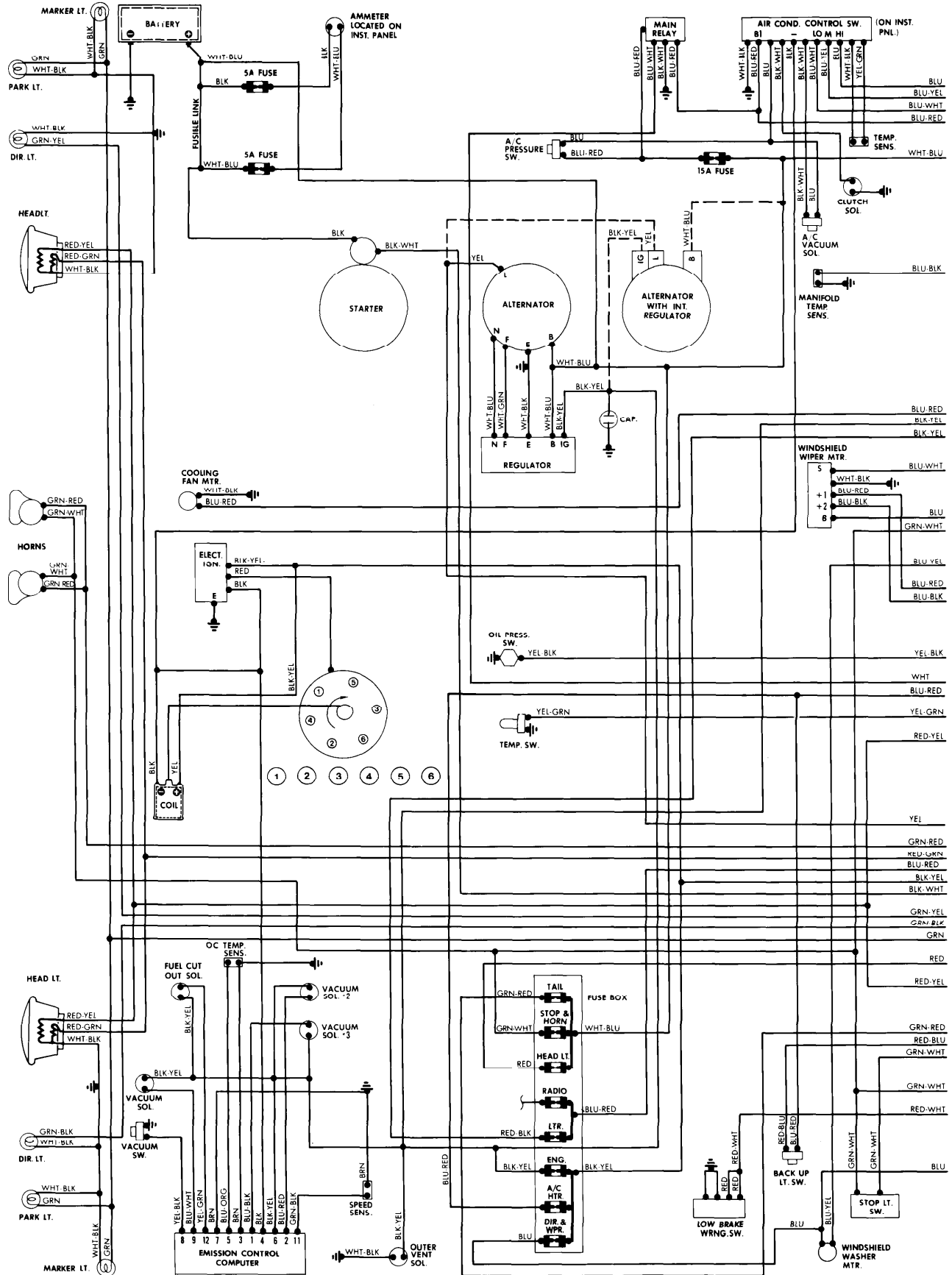


## ENGINE COMPARTMENT & FUSE BLOCK



## INSTRUMENT PANEL & REAR COMPARTMENT

