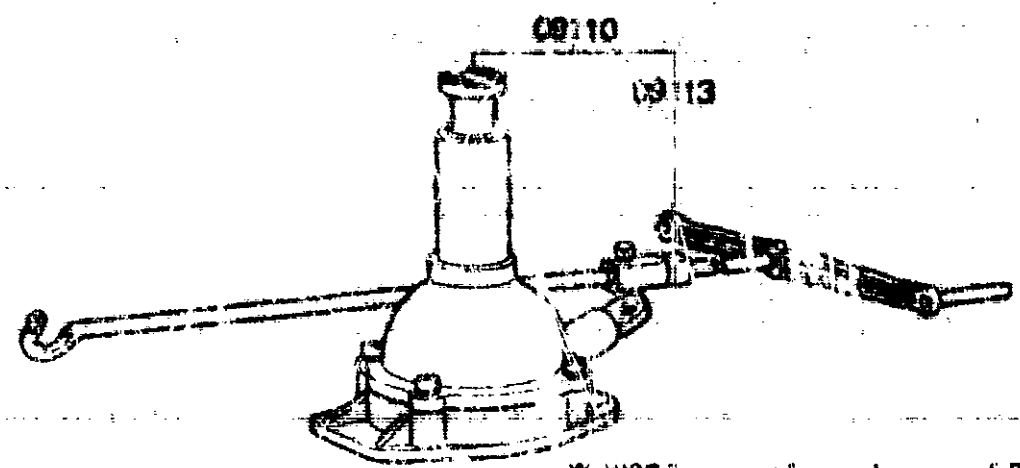
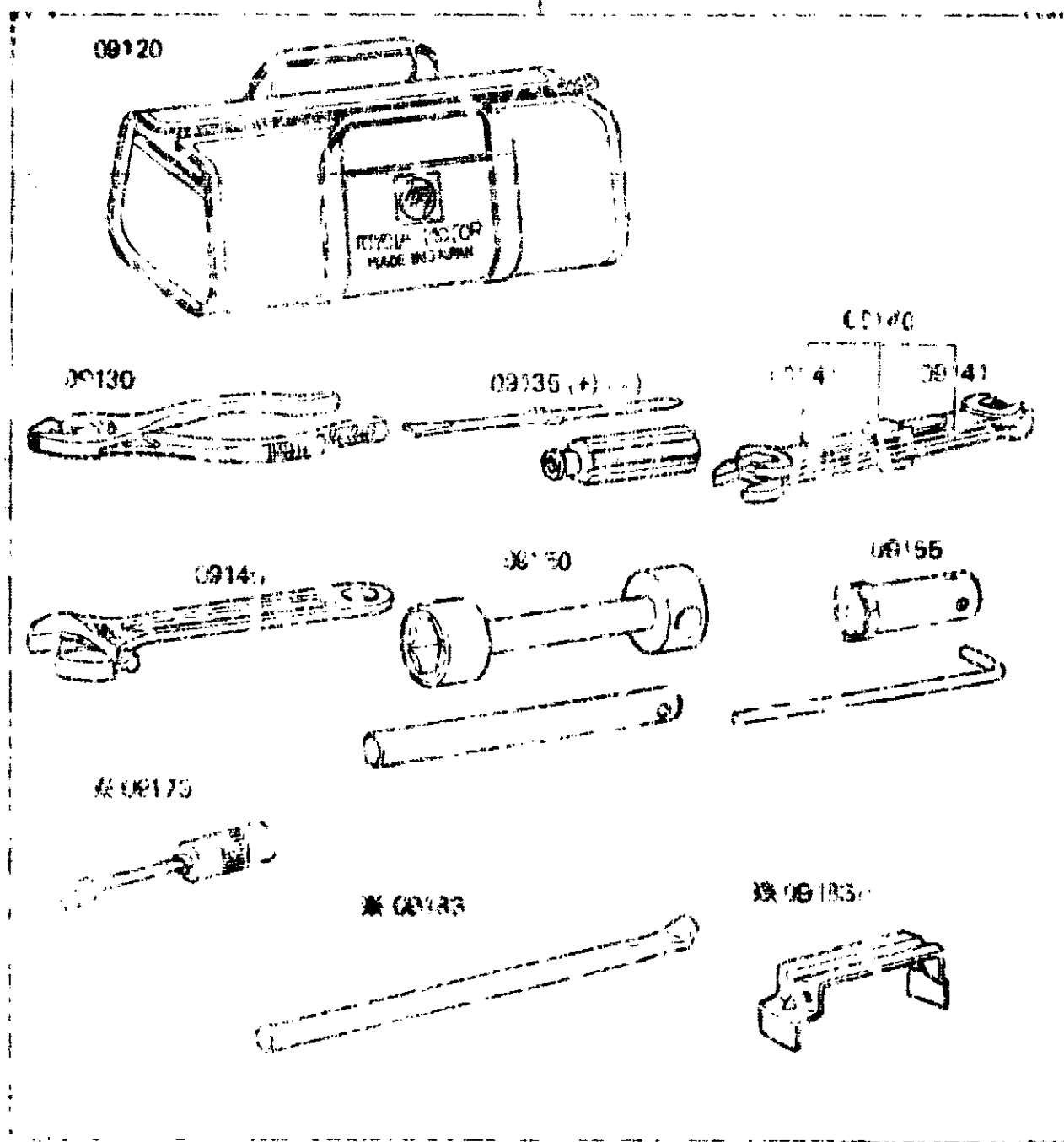


(8008- )



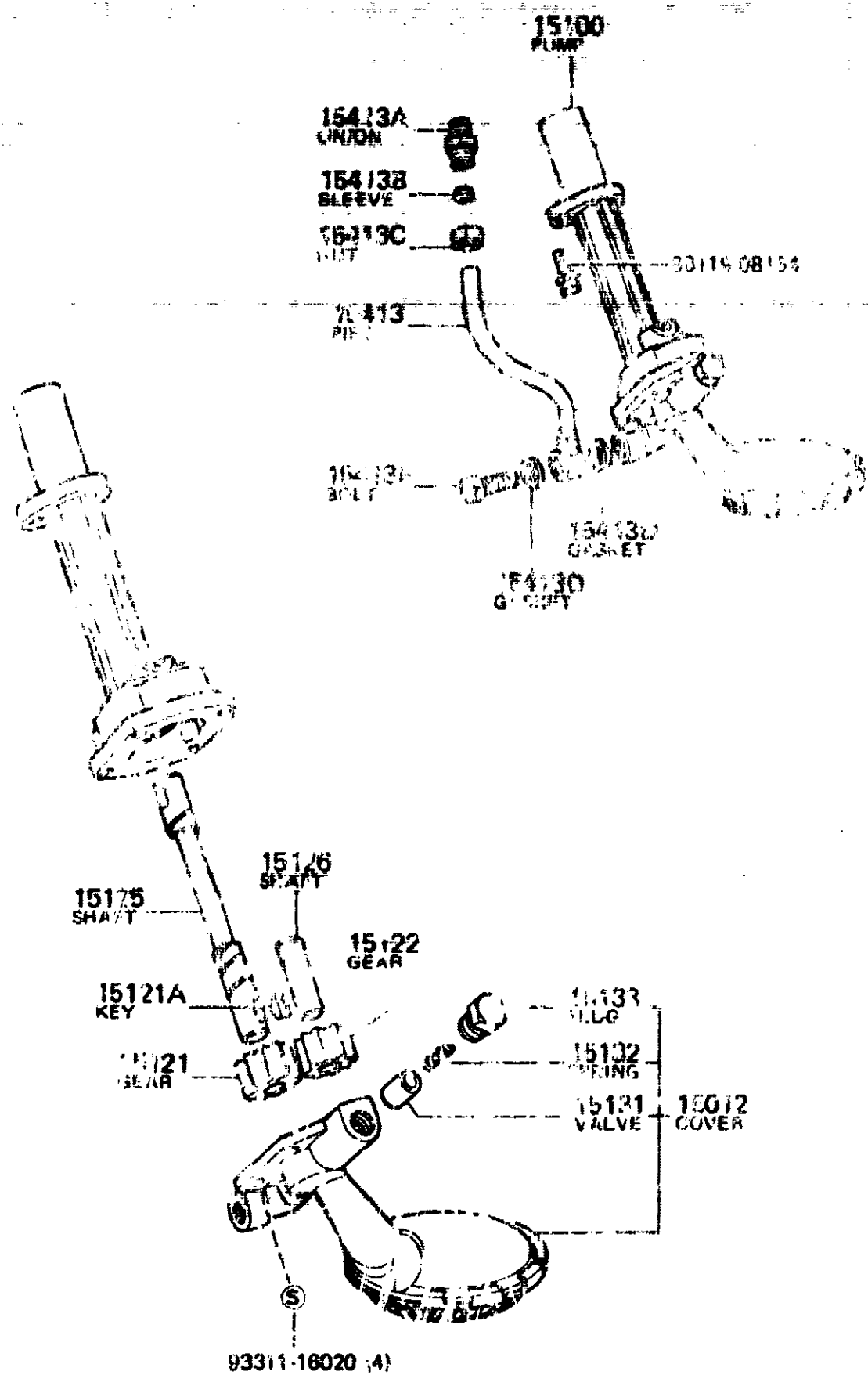
\* 09101 - Executed out of P.N.C 09101



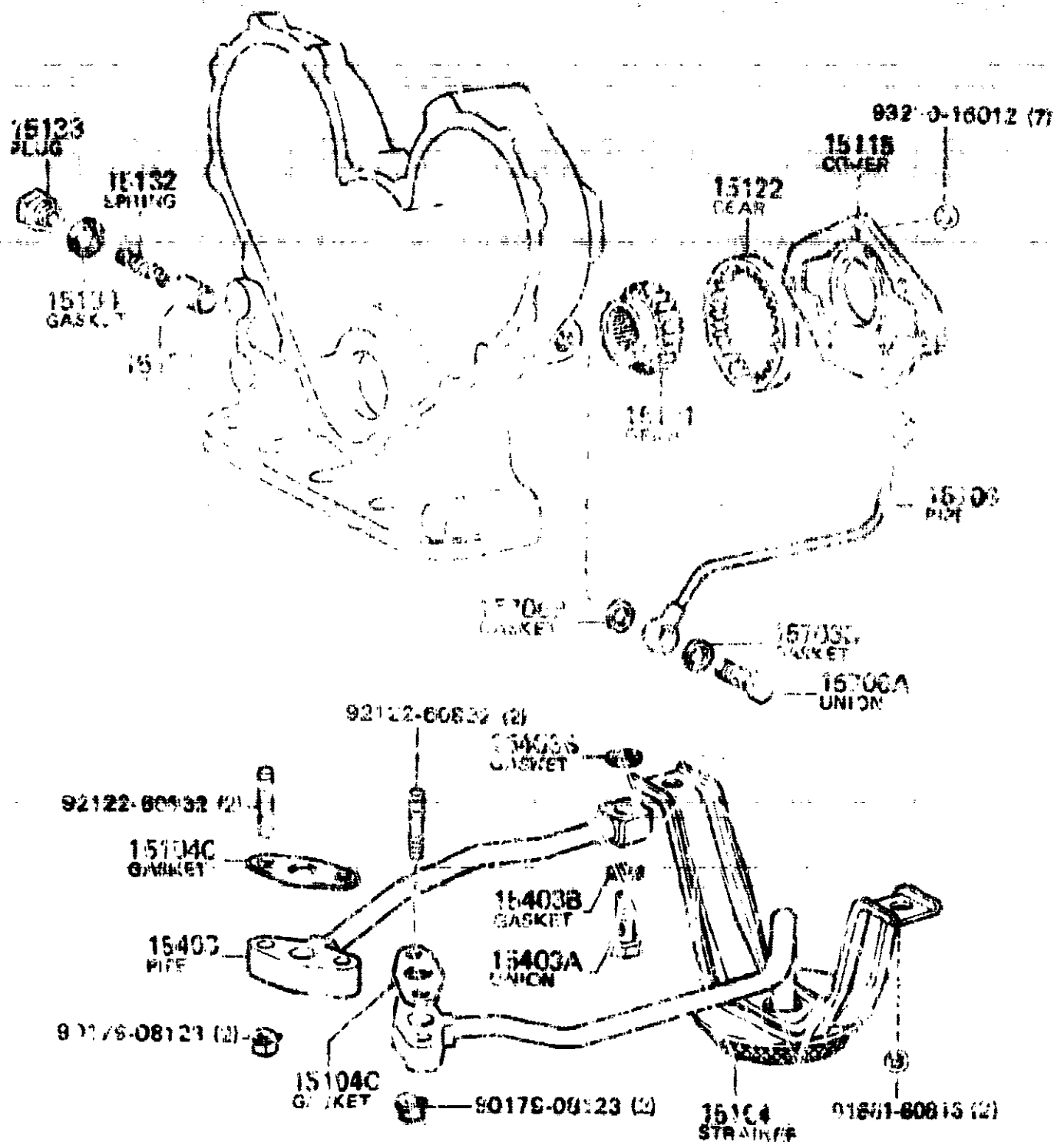
MT 453 C

PROD. DATE	MODELS	DESCRIPTION	PART NUMBER	REV. REF. CODE	
				FROM	UP TO
	FIG. 09-0 STANDARD TOOL				
	09101	TOOL SET, STANDARD W/CL JACK			
8008-8205	B042		09101-60120-	1	1
			(09101-60240-		
8205-8210	B042		(09101-60140-	1	10
0210-8301	B042		09101-60232-	1	19
8210-8308	B042	W/ FREE WHEEL HUB	09101-60242-	1	19
8308-8410	B042		09101-60230-	1	80
3008-8205	F040		09101-60112-	1	1
			9001-60241-		
8105-8210	F040		09101-60240-	1	19
0210-8308	F040	W/ FREE WHEEL HUB		1	19
8210-8308	F040		09101-60211-	1	19
	09110	JACK			
8008-8308	B042, F040		09110-60010-	1	
			09110-60040-		
8308-8410	B042, F040		09110-60010-	1	80
			09111-60010-		
			09113-60010-		
	09113	HANDLE, JACK			
8008-8308	B042, F040		09113-60010-	1	1
			09113-60020-		
8108-8410	B042, F040		09113-60040-	1	80
	09120	BAG, TO			
8008-8410	B042, F040		09120-60050-	1	80
	09130	PLIERS			
8108-8205	B042, F040		09130-60030-	1	1
			09130-60022-		
8205-8410	B042, F040		09133-12000-		80
	09135	DRIVER, SCREW			
8008-8410	B042, F040		09135-10700-	1	1 80

PROJ. DATE	MODELS	DESCRIPTION	PART NUMBER	REV. REF. CODE		PROJ. DATE	MODELS	DESCRIPTION	PART NUMBER	REV. REF. CODE	
				FROM	UP TO					FROM	UP TO
8008-8310	2F..FJ40	GASKET, TIMING GEAR (OR CHAIN) COVER	11326-60010-	1	1	8008-8309	2F..FJ40	GASKET KIT, CLUTCH UNDER COVER	04317-60020-	1	1
8008-8410	3B..BJ42		11328-60030-	1	1	8008-8309	2F..FJ40	COVER, FLYWHEEL HOUSING FRONT	11369-60011-	1	1
8108-8410	3D..BJ-2	BEARING, INJECTION PUMP GEAR THRUST	17345-48010-	1	1	8108-8408	3B..BJ42	RETAINER, ENGINE REAR OIL SEAL	11381-56030-	1	1
8108-8410	3D..BJ42	PLATE, REAR END	11355-56040-	1	1	8008-8410	3B..BJ42	SEAL, ENGINE REAR OIL	10311-60011-	1	80
8008-8309	2F..FJ40	COVER, FLYWHEEL HOUSING UNDER	11104-60020-	1	1	8008-8410	3B..BJ42	GASKET, ENGINE REAR OIL SEAL RETAINER	11385-60030-	1	1
8008-8309	2F..FJ40	GASKET, CLUTCH UNDER COVER, NO.1	31131-60010-	1	1	8008-8410	3B..BJ42	POINTER, TIMING	11391-60010-	1	1
8008-8309	2F..FJ40	GASKET, CLUTCH UNDER COVER, NO.2	31132-60020-	1	1	8008-8410	3B..BJ42		11391-56020-	1	80
8008-8309	2F..FJ40	GASKET, CLUTCH UNDER COVER, NO.3	31133-60020-	1	1						
8008-8309	2F..FJ40	GASKET, CLUTCH UNDER COVER, NO.4	31134-60020-	2	1						
8008-8309	2F..FJ40	GASKET, CLUTCH UNDER COVER, NO.5	31135-60020-	2	1						
8008-8309	2F..FJ40	GASKET, CLUTCH UNDER COVER, NO.6	31136-60010-	1	1						
8008-8309	2F..FJ40	GASKET, CLUTCH UNDER COVER, NO.7	31137-60010-	1	1						
8008-8309	2F..FJ40	PLUG, (FOR CLUTCH UNDER COVER)	90950-01200-	1	1						



MA 7121A



MA 4632-D



PROD. DATE	TO	E L S	DESCRIPTION	PART NUMBER	QTY	REV. REF. & SEE		PROD. DATE	MODELS	DESCRIPTION	PART NUMBER	QTY	REV. REF. & SEE	
						FIGURE	UP TO						FIGURE	UP TO
8008-8309	2F..FJ40	16364	CASET, THERMO	70430-3000-	1	1		8110-8410	16410 RADIATOR ASSY CONTINUED		16400-5610	1	7	80
8008-8309	2F..FJ40	16361	FAN	16361-61011-	1	1		8008-8309	16400A CAP SUB-ASSY, RADIATOR DRAIN		96431-03813-	1	1	
8008-8309	2F..FJ40..V..USA		COIL-450, 7 L LADES	16361-61020-	1	1		16400B PLUG, RADIATOR DRAIN COCK			96431-23814-	1	1	80
8008-8410	3B..BJ42		OD=580	16361-38010-	1	1	80	8008-8410	3B 2F..BJ42, FJ40					
8008-8110	2F..FJ40..CND	16361A	ALUM. V. (3) FAN AND GENERATOR	90343-11070-	1	1	6	8008-8110	3B..BJ42		90910-09060-	1		
8008-8410	2F..FJ40..USA			90343-11265-	1	1		8008-8410	3B..BJ42		96431-03813-	1		80
8008-8410	3B..BJ42			90343-01165-	1	1	6		16401 CAP SUB-ASSY, RADIATOR					
8008-8719	2F..FJ40..USA	16362	FAN, NO. 2	16362-61224-	1	1		8008-8110	3B 2F..BJ42, FJ40		16480-24010-	1	1	6
8008-8309	2F..FJ40..USA	16363	MOTOR, COOLING FAN	16363-61113-	1	1		8008-8410	3B..BJ42		16480-11140-	1	7	80
8008-8110	2F..FJ40..CND	16364	CLAMP, FAN BELT ADJUSTING	16364-60001-	1	1	6		16470 TANK ASSY, RADIATOR RESERVE					
8008-8309	2F..FJ40..USA			16364-61511-	1	1		8008-8110	3B..BJ42		90445-12065-	1	1	6
8008-8410	3B..BJ42			16364-56030-	1	1	80	8008-8110	3B..BJ42		90445-12075-	1	1	6
8110-8410	3B..BJ42		W. LOWER ST BEARING	16364-56050-	1	1	80	8110-8410	3B 2F..BJ42, FJ40		90445-12060-	1	7	80
8008-8110	2F..FJ40..CND	16365	BRACKET, FAN BELT ADJUSTING	90560-12265-	1	1	6		16470B CLAMP OR CLIP (FOR RESERVE TANK HOSE)					
8008-8309	2F..FJ40..USA	16361C	BAR, FAN BELT ADJUSTING, NO. 1	17317-61020-	1	1		8008-8410	3B 2F..BJ42, FJ40		085-	2	1	80
8008-8309	2F..FJ40..USA	16400	RADIATOR ASSY	16400-51020-	1	1		8008-8110	3B..BJ42					
8008-8309	2F..FJ40..V..USA		W/COOLER	16400-51010-	1	1		8110-8410	3B..BJ42		16402-56011-	1	7	80
8008-8110	3B..BJ42			16400-56110-	1	1	6		16471 CAP SUB-ASSY, RESERVE TANK					
								8008-8309	2F..FJ40		16405-60011-	1	1	
								8008-8110	3B..BJ42		16405-56011-	1	1	6
											(16405-56021-	1	1	6

FIG. 17-05

GENUINE TOYOTA PARTS

1-A

GENUINE TOYOTA PARTS

PROJ. DATE	MODELS	DESCRIPTION	PART NUMBER	QTY	REV. REF. CODE		PROJ. DATE	MODELS	DESCRIPTION	PART NUMBER	QTY	REV. REF. CODE	
					FROM	UP TO						FROM	UP TO
FIG. 17-05	AIR PUMP												
		1 17314	BRACKET, AIR PUMP										
8008-8109	2F..FJ40..USA		17314-6103-	1	1								
		1 17314A	BOLT, HEXAGON (FOR AIR PUMP BRACKET SETTING)										
8708-3309	2F..FJ40..USA		60-01-08041-	1	1								
		1 17317	BAR, AIR PUMP ADJUSTING NO. 1										
8008-1309	2F..FJ40..USA		17317-37020-	1	1								
			W/POWER ST SERING										
		1 17318	BAR, AIR PUMP ADJUSTING NO. 2										
8008-8309	2F..FJ40..USA		17318-61020-	1	1								
8008-9.09	2F..FJ40..USA		17318-61040-	1	1								
			W/POWER ST SERING										
		1 17610	PUMP ASSY. AIR										
8008-8319	2F..FJ40..USA		17610-61030-	1	1								
		1 17610B	BELT, V (FOR AIR PUMP)										
8008-8309	2F..FJ40..USA		99345-11120-	1	1								

FIG. 19-03 ALTERNATOR

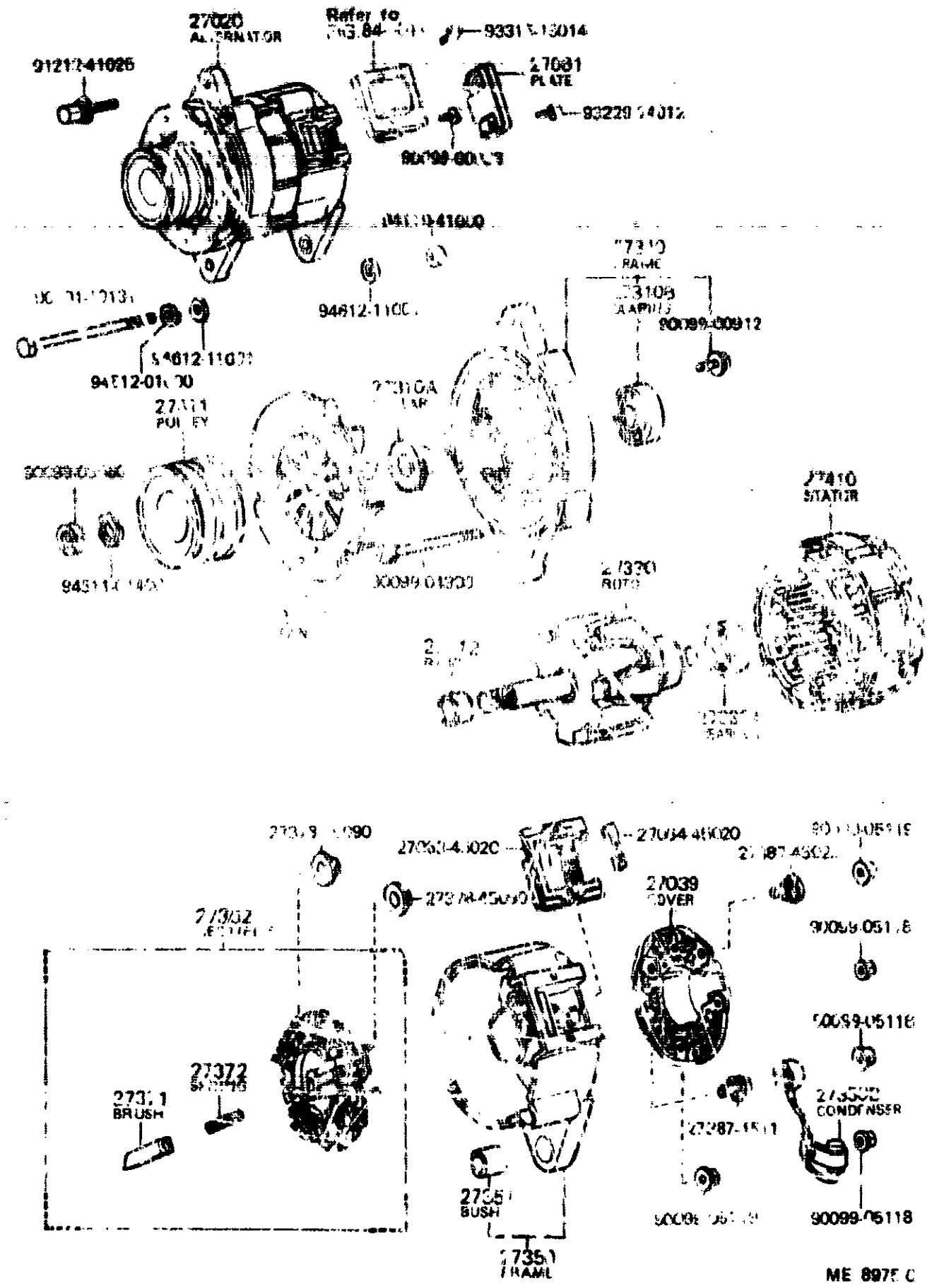
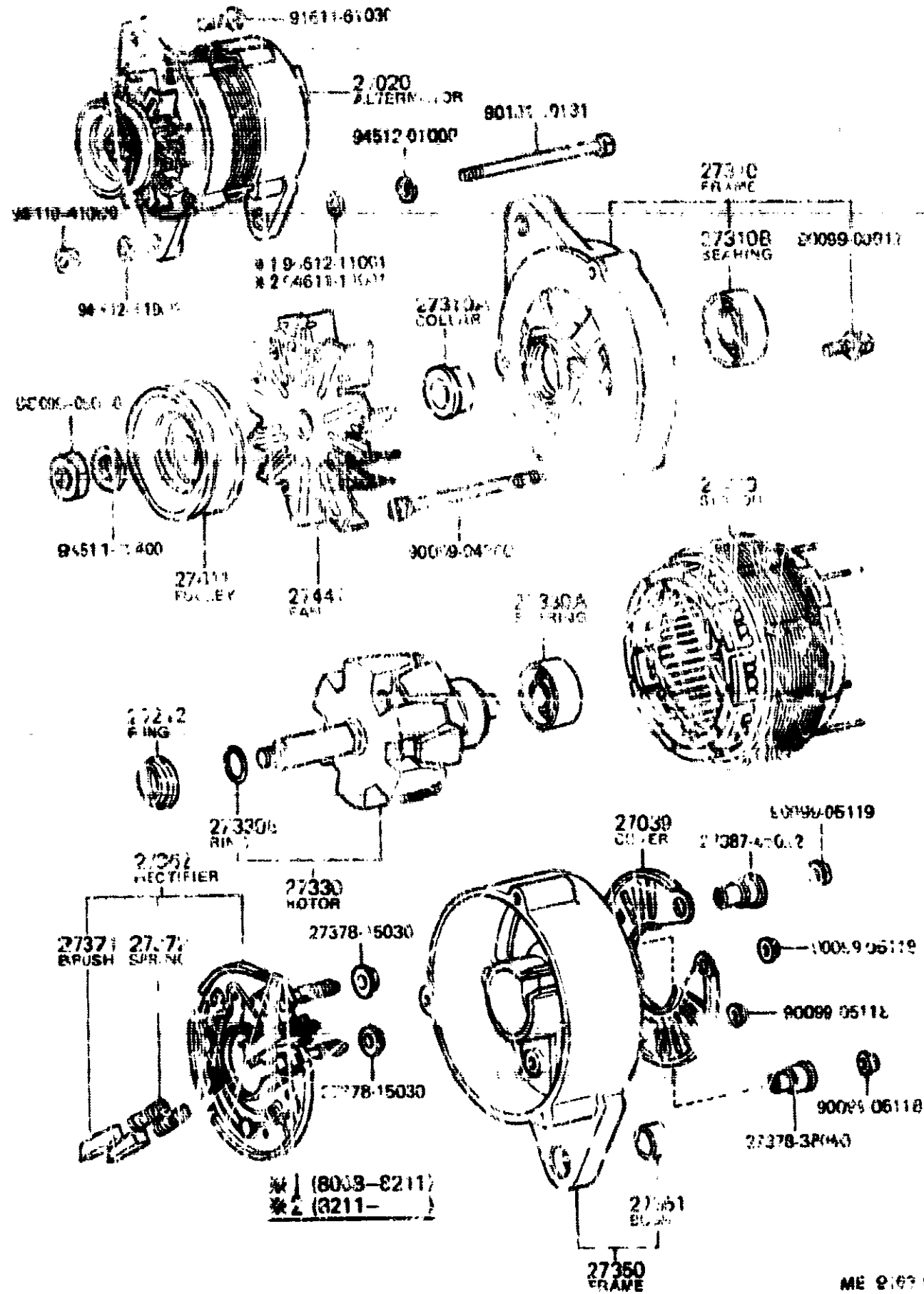
1-A

(8008-8309) 2F

(8008-8309) 2F

12V 40 A

12V 1.5A



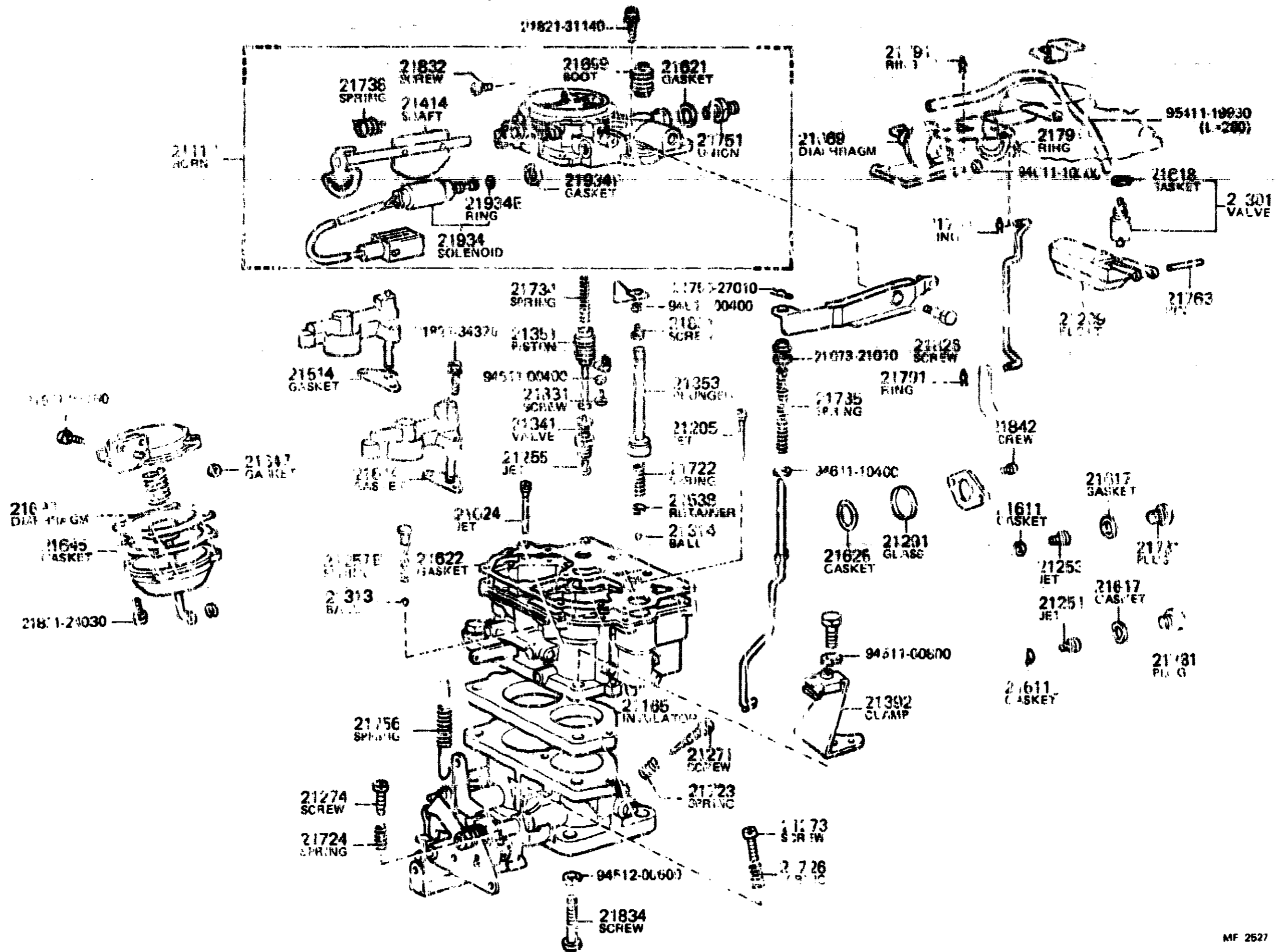
ME 897 C

ME 897 C

FIG. 21-0 CARBURETTOR

1-A7

(8008-8110)2F..CND



MF 2527

MF 2527

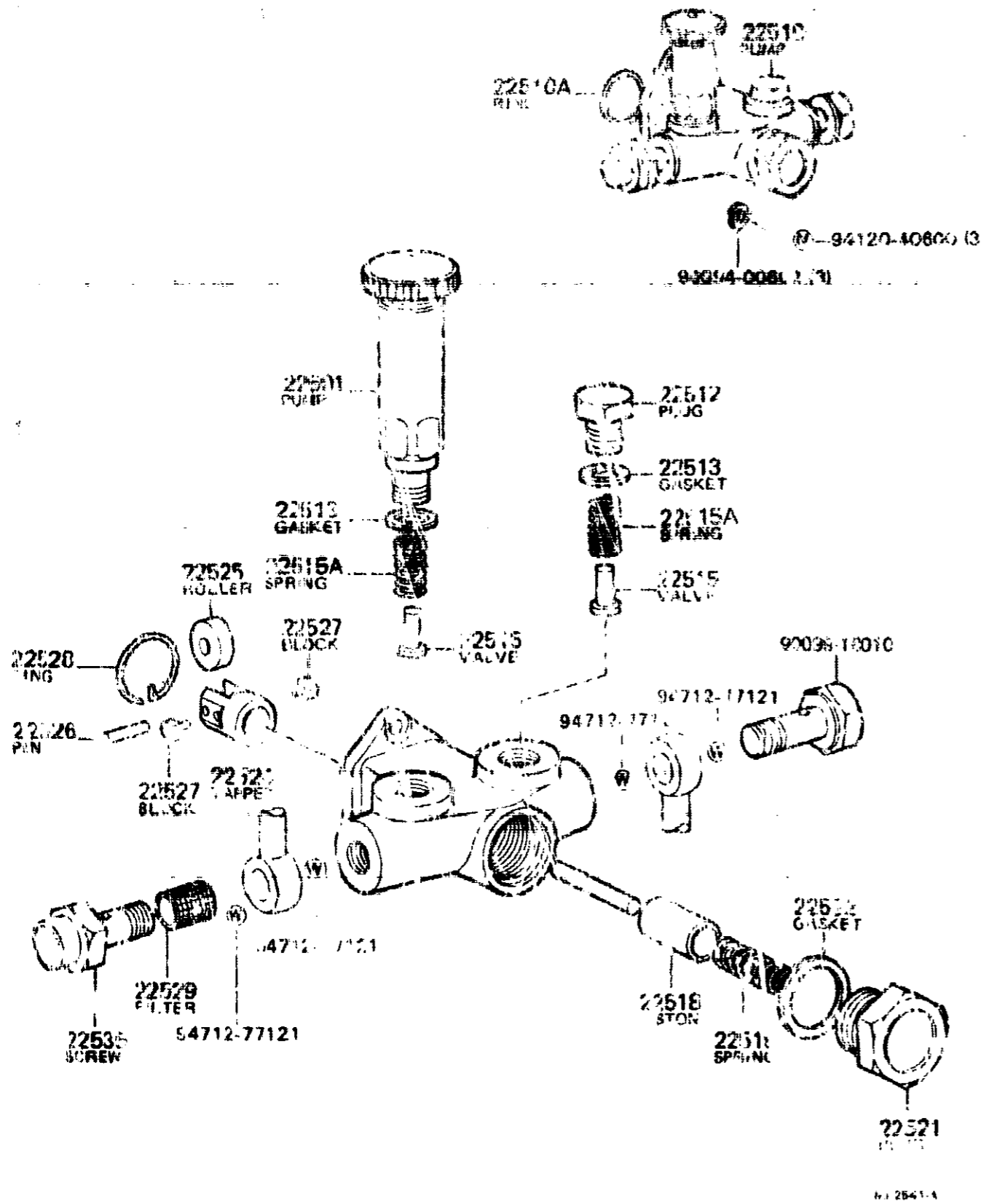
176-11-88

FIG. 21-06 FUEL FEED PUMP

1-A8

GENUINE TOYOTA PARTS

(8008-13B



PROD DATE	MODEL S	DESCRIPTION	PART NUMBER	QTY	AL. NET CODE
FIG.	22-06 FUEL FEED PUMP				
		1 22511	PUMP SUB-ASSY, PRIMING		
8008-8410	3B-BJ42		22511-77021-	1	80
		1 22510	PUMP ASSY, FUEL FEED		
8008-8410	3B-BJ42		22510-56040-	1	80
		1 22510A	RING, O (FOR FUEL FEED PUMP)		
8008-8410	5B-BJ42		93099-14015-	1	80
		1 22512	PLUG, FEED PUMP CHECK VALVE CHAMBER		
8008-8410	3B-BJ42		22512-77010-	1	80
		1 22513	GASKET, CHECK VALVE CHAMBER PLUG		
8008-8410	3B-BJ42		22513-77020-	2	80
		1 22515	VALVE, FEED PUMP CHECK		
8008-8410	3B-BJ42		22515-77071-	2	80
		1 22515A	SPRING, FEED PUMP CHECK VALVE		
8008-8410	3B-BJ42		22515A-05141-	2	80
		1 22518	FILTON, FEED PUMP		
8008-8410	3B-BJ42		22518-56010- (22518-77020-	1	80
8008-8410	3B-BJ42		22518-56011- (22518-77020-	1	80
8008-8410	3B-BJ42		22518-56012- (22518-77020-	1	80
8008-8410	3B-BJ42		22518-56013- (22518-77020-	1	80
8008-8410	5B-BJ42		22518-77030-	1	80
		1 22514	SPRING, FEED PUMP PISTON		
8008-8410	3B-BJ42		22514-48010-	1	80
		1 22521	PLUG, FEED PUMP PISTON CHAMBER		
8008-8410	3B-BJ42		22521-77021-	1	80



**CONTENTS**

(PART NUMBER - LOCATION)

04044 - 12204	B14
12201 - 19115	B14
19121 - 27700	C14
2801 - 38192	D14
38193 - 45700	E14
45721 - 56301	F14
56301 - 74359	G14
74359 - 87104	H14
87104 - 90301	I14
90301 - 91462	J14
90562 - 94013	K14

PART NUMBER	LOCATION	PART NUMBER	LOCATION	PART NUMBER	LOCATION
04111-58011-	1-E1	09155-44010-	1-H1	11312-54051-	1-H1
-58012-	1-E1	09173-09020-	1-H1	-61010-	1-H1
-58013-	1-E1	09183-09030-	1-H1	11328-56030-	1-A1
-58050-	1-E1	-60010-	1-B1	-60110-	1-A1
-51020-	1-E1	11211-61010-	1-G2	11345-48110-	1-A1
04112-58010-	1-E1	11011-56010-	1-G2	11355-56100-	1-A1
-73017-	1-E1	11013-56010-	1-G2	11369-60011-	1-A1
-58041-	1-E1	11101-38012-	1-C1	11381-56010-	1-I2
-61840-	1-E1	-59013-	1-G1	-56031-	1-A2
04116-56050-	1-I3	-59095-	1-G1	11383-56010-	1-A2
-56080-	1-I3	-59096-	1-G1	-70031-	1-A2
04162-61020-	1-I3	-61021-	1-G1	11341-56020-	1-A2
04211-61040-	1-I3	-61040-	1-G1	-60010-	1-A2
-61170-	1-I3	11104-58010-	1-E1	11470-58010-	1-D1
04212-61050-	1-I3	11113-58010-	1-G1	-58011-	1-D1
		-58011-	1-G1	-58012-	1-D1
04311-60030-	1-E1	-58012-	1-G1	-18040-	1-J1
04313-40021-	2-G1	58040-	1-G1	-61011-	1-D1
-60020-	2-G1	-60010-	1-G1	11401-59075-	1-J1
-80040-	2-G1	11122-50020-	1-G1	-59115-	1-J1
04317-60020-	1-I2	-56021-	1-G1	-59225-	1-J1
-60040-	2-I1	-61011-	1-G1	-59226-	1-J1
-60060-	2-I1	11123-60011-	1-G1	-59305-	1-J1
04371-36021-	2-G3	11126-51011-	1-G1	-59055-	1-J1
-36030-	2-G3	11127-61011-	1-G1	11052-58040-	1-K1
04383-60030-	2-H3	11128-60011-	1-G1	-56050-	1-K1
04384-30010-	2-H3	11132-60010-	1-G1	-60013-	1-K1
-60100-	2-H3	11133-60010-	1-G1	11459-56040-	1-K1
-60101-	2-H3	11136-60030-	1-G1	11461-58010-	1-K1
04434-60010-	2-A1	11175-56010-	1-G1	-58020-	1-K1
04441-50140-	2-G1	11177-56010-	1-G1	11475-58010-	1-K1
		11201-50040-	1-G1	11476-58010-	1-K1
04453-35040-	2-I1			11501-56010-01	1-G2
04455-35010-	2-I1			-56010-07	1-G2
04474-60010-	2-H7			11702-56010-	1-G2
04476-60050-	2-H7			-60013-	1-G2
04479-30030-	2-E7			11703-60013-	1-G2
04481-60020-	2-D8			11704-56010-	1-G2
				-56010-	1-G2
04482-10040-	2-D8			11705-16010-	1-G2
				-56020-	1-G2
04491-10010-	2-I1			-60013-	1-G2
04493-10070-	2-H6			11707-16010-	1-G2
04495-10010-	2-G7			-56020-	1-G2
04481-10010-	2-I10			-60011-	1-G2
09101-60110-	1-A1	-61022-	1-H5	11804-60021-	1-K2
-60120-	1-A1	-61023-	1-H5	11805-60021-	1-K2
-60130-	1-A1	-61031-	1-H5	12101-56060-	1-K1
-60132-	1-A1			-59145-	1-K1
-60140-	1-A1	-61032-	1-H5	-61010-	1-K1
-60142-	1-A1			-61011-	1-K1
09110-60010-	1-A1	-60133-	1-H5	12151-56030-	1-K1
-60040-	1-A1			-60021-	1-K1
09113-60010-	1-A1			12157-10010-	2-F4
-60040-	1-A1				2-K1
09120-60050-	1-A1				2-K3
09130-60030-	1-A1				2-L2
09140-27110-	1-E1				1-H1
09150-60010-	1-B1				1-H1
					1-E2

NOTICE

**A15**

REVISION REFERENCE CODE LIST

FRAME NUMBER AND VEHICLE IDENTIFICATION NUMBER

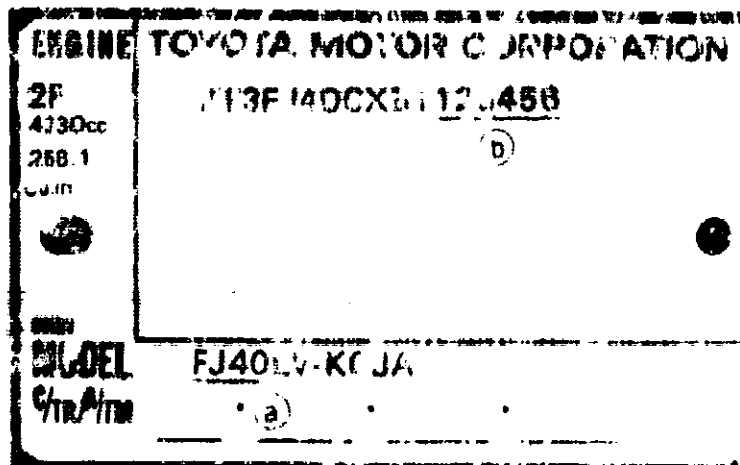
1. FRAME NUMBER FJ40-123456

FRAME NUMBER IS GIVEN ON THE DASH COWL IN THE ENGINE ROOM. IN CONNECTION WITH THE TOYOTA PARTS CATALOG IS LISTED IN THE REVISION REFERENCE CODE LIST TO IDENTIFY ENGINEERING CHANGE PERIOD AS BEFORE SO, IN LOCATING PARTS CATALOG, TAKE A LOOK AT FRAME NUMBER ON CORRESPONDING VEHICLE.

REV. REF. CODE	ENGINE NO. OR FRAME NO.
1	FJ40-123456

2. NAME PLATE

NAME PLATE IS ATTACHED TO THE DASH COWL IN THE ENGINE ROOM. MODEL COLUMN INDICATES FULL MODEL CODE, SO FOR MODEL INFORMATION, REFER TO THE NAME PLATE AS BEFORE PROCEDURE TO DETERMINE FRAME NUMBER FROM NAME PLATE IS:



INDICATES FULL MODEL CODE, SO FOR MODEL INFORMATION, REFER TO THE NAME PLATE AS BEFORE PROCEDURE TO DETERMINE FRAME NUMBER FROM NAME PLATE IS:  
 (a) + (b) = FJ40-123456

3. VEHICLE IDENTIFICATION NUMBER JT3F140CXE1123456

VEHICLE IDENTIFICATION NUMBER IS GIVEN TO VIN PLATE ON LEFT HAND OF DASH BOARD, CERTIFICATION REGULATION PLATE ON LEFT DOOR PILLAR, AND NAME PLATE.

NOTICE

FRAME NUMBERING IS STARTED FROM DIFFERENT STARTING FRAME NUMBER PER EACH ASSEMBLY LINE. WHEN REFERRING TO STARTING FRAME NUMBER ON REVISION REFERENCE CODE LIST, BEAR FOLLOWING MATTER IN YOUR MIND.

Starting Frame Number Per Each Assembly Line

Assembly Line / Applicable Model	Toyota Motor Honsya Plant (A11)
BJ42-	000001 ~
FJ40-	300001 ~

LAND CRUISER 325L (U.S.A.)

REV. REF. CODE	ENGINE NO. OR FRAME NO.	REV. REF. CODE	ENGINE NO. OR FRAME NO.	REV. REF. CODE	ENGINE NO. OR FRAME NO.
1 FJ40-327928	30 38-502101	27 BJ42-100003	34 38-102102	28 BJ42-002149	35 BJ42-15096
2 FJ40-347816	36 BJ42-1915768	29 BJ42-002350	37 FJ40-3810307	30 FJ40-34784	38 342-3915769
3 BJ42-001678	39 FJ40-3810308	31 BJ42-001669	40 BJ42-0914940	32 FJ40-340210	41 BJ42-0914941
33 FJ40-340211	42 FJ40-0362028	34 FJ40-345339	43 FJ40-3364069	35 FJ40-345340	44 BJ42-0916630
36 BJ42-002052	45 BJ42-0916631	37 FJ40-344386	46 BJ42-009999	38 BJ42-102253	47 BJ42-0917770
39 FJ40-344389	48 BJ42-0917960	40 BJ42-004557	49 BJ42-0917960	41 FJ40-350792	50 BJ42-0917960
42 BJ42-004557	51 BJ42-0917960	43 FJ40-350792	52 BJ42-0917960	44 BJ42-004557	53 38-0671999
45 BJ42-004557	54 38-0672000	46 BJ42-004557		47 FJ40-350793	
48 2F-636135		48 2F-636135		49 2F-659319	
49 2F-659319		50 BJ42-004240		50 BJ42-004240	
50 BJ42-004240		51 FJ40-354989		51 FJ40-354989	
51 FJ40-354989		52 BJ42-004240		52 BJ42-004240	
52 BJ42-004240		53 FJ40-354990		53 FJ40-354990	
53 FJ40-354990		54 FJ40-356612		54 FJ40-356612	
54 FJ40-356612		55 FJ40-356613		55 FJ40-356613	
55 FJ40-356613		56 2F-659319		56 2F-659319	
56 2F-659319		57 2F-659320		57 2F-659320	
57 2F-659320		58 BJ42-004240		58 BJ42-004240	
58 BJ42-004240		59 FJ40-357916		59 FJ40-357916	
59 FJ40-357916		60 BJ42-004240		60 BJ42-004240	
60 BJ42-004240		61 FJ40-357917		61 FJ40-357917	
61 FJ40-357917					

# GUIDE TO CONTENTS

1. MODELS COVERED & CHARACTERISTICS .....	G 16, D 16	(included in each fiche)
2. MARK & ABBREVIATION .....	B 16, C 16	(included in each fiche)
3. INDEX		
ILLUSTRATED INDEX .....	O 16 thru Q 16	(included in each fiche)
FIGURE NUMBER INDEX .....	L 16, M 16	(included in each fiche)
4. ILLUSTRATIONS & TEXT .....	From I-A1	(included in each fiche)

The contents (illustrations & text) have been divided  
 into groups by function in the following sequence:

- Engine
- Fuel
- Power train - Chassis
- Body
- Electrical

## 5. APPENDICES

PART NAME & LOCATION LIST .....	A 12 thru H 19	(included in the fiche No. 3 of 3)
PART NUMBER & LOCATION LIST .....	J 14 thru K 14	(included in each fiche)
REVISION REFERENCE CODE LIST .....	A 16	(included in each fiche)
PRODUCTION FRAME NUMBER REFERENCE LIST .....	B 15	(included in each fiche)

Note : SST (Special Service Tools) are not included in this parts catalog.

For related part number information can be found in SST List, Service Bulletin  
 and Repair Manual.

GENUINE TOYOTA PARTS

1-5

GENUINE TOYOTA PARTS

PROD. DATE	MODELS	DESCRIPTION	PART NUMBER	QTY	REV. REF. CODE		PROD. DATE	MODELS	DESCRIPTION	PART NUMBER	QTY	REV. REF. CODE	
					FROM	UP TO						FROM	UP TO
		09140 SPANNER SET											
8008-8410	BJ42, FJ40		09140-27010-	1	1	30							
		09141 SPANNER											
8008-8410	BJ42, FJ40	10X12	99914-11012-	1	1	80							
8008-8410	BJ42, FJ40	14X17	99914-11417-	1	1	80							
		09145 WRENCH, MONKEY											
8008-8410	BJ42, FJ40		99911-10250- (99911-20250-)	1	1	30							
		09150 WRENCH, TUB NUT BOX											
8008-8410	BJ42, FJ40		09150-60010-	1	1	80							
		09155 WRENCH, SPARK PLUG											
8008-8309	FJ40		09155-44010-	1	1								
		09173 ATTACHMENT, GREASE GUN											
8210-8410	BJ42		09173-00020-	1	19	80							
		09183 WRENCH, WHEEL CAP											
8008-8210	BJ42, FJ40		09183-00030-	1	1	18							
8210-8410	BJ42, FJ40	W/FREE WHEEL HUB		1	19	80							
		09187 REPLACEMENT WHEEL CAP											
3008-8210	BJ42, FJ40		09187-60010-	1	1	18							
8210-8410	BJ42, FJ40	W/FREE WHEEL HUB		1	19	30							

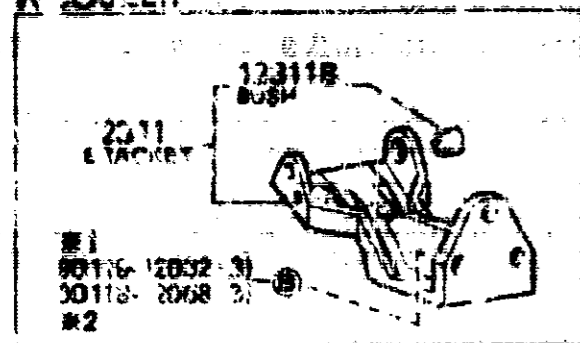
FIG. 17-07 MOUNTING

1-B2

8008-830912F

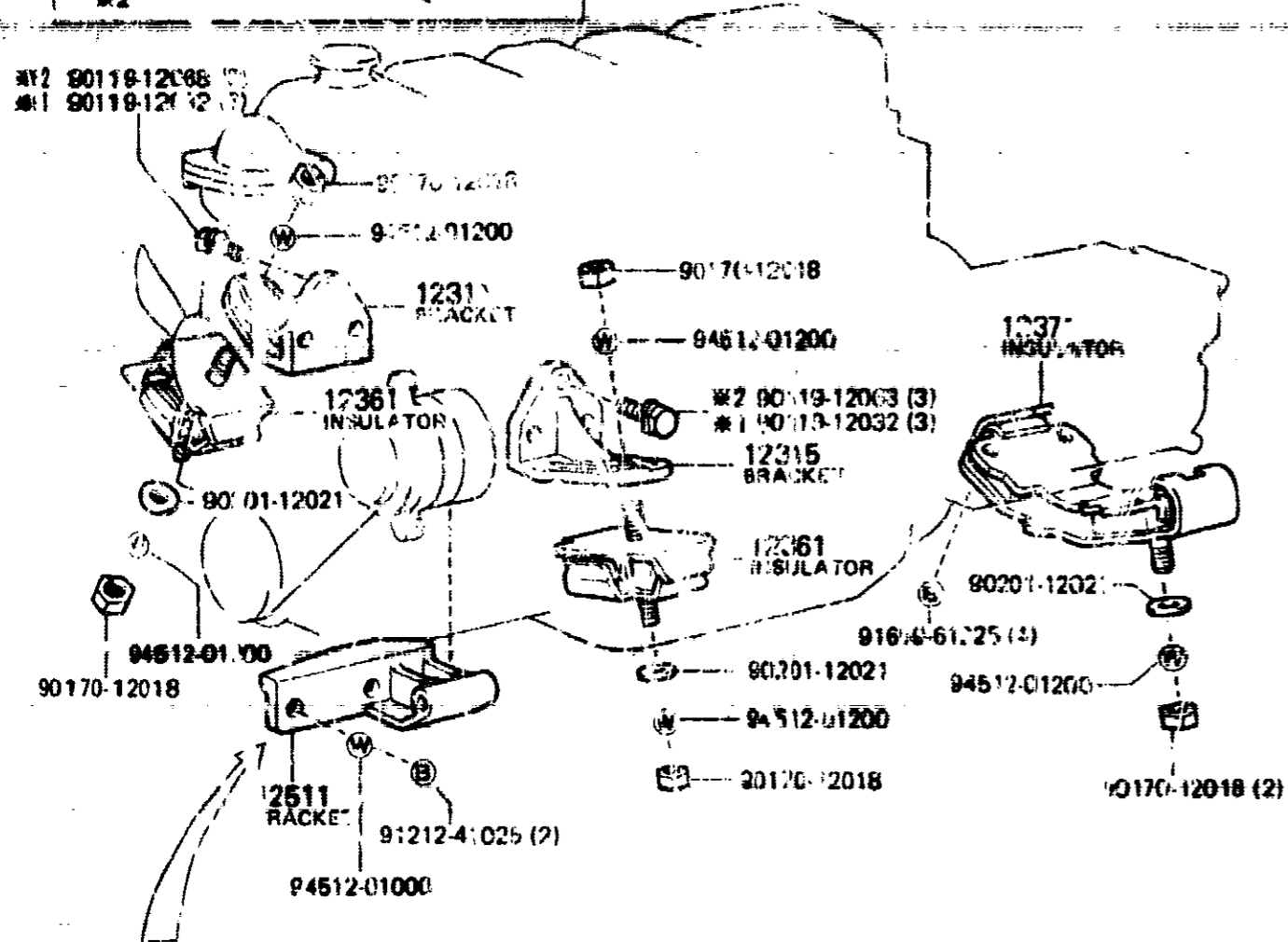
(3008- ) 13B

W 300-LEF

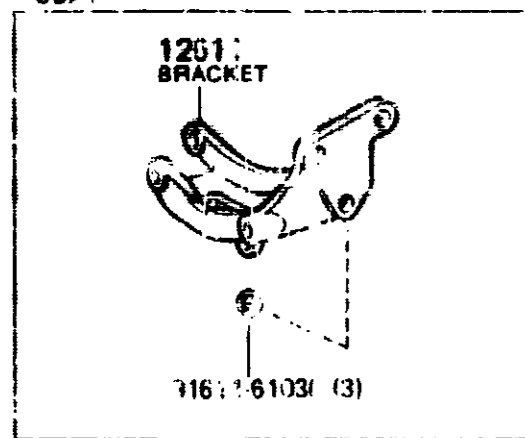


#1 ( -8312)  
#2 (8312)

#12 90118-12068  
#1 90118-12068



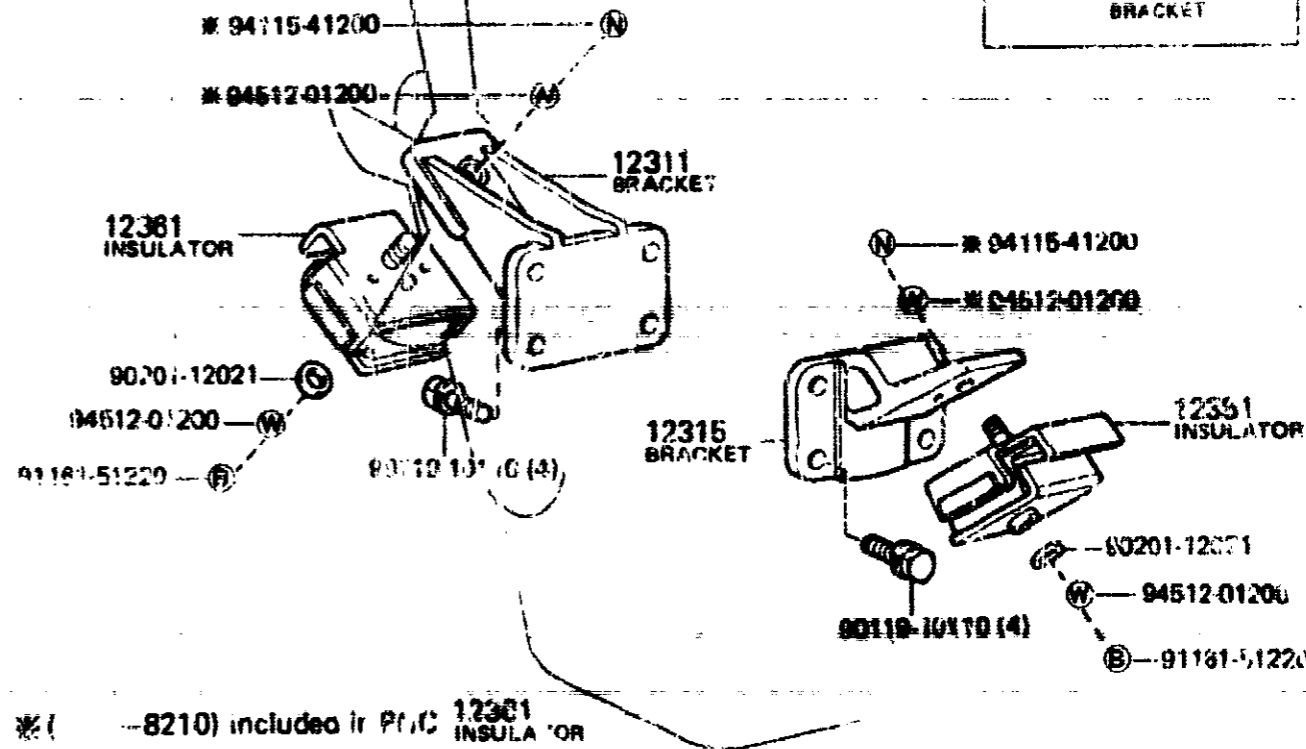
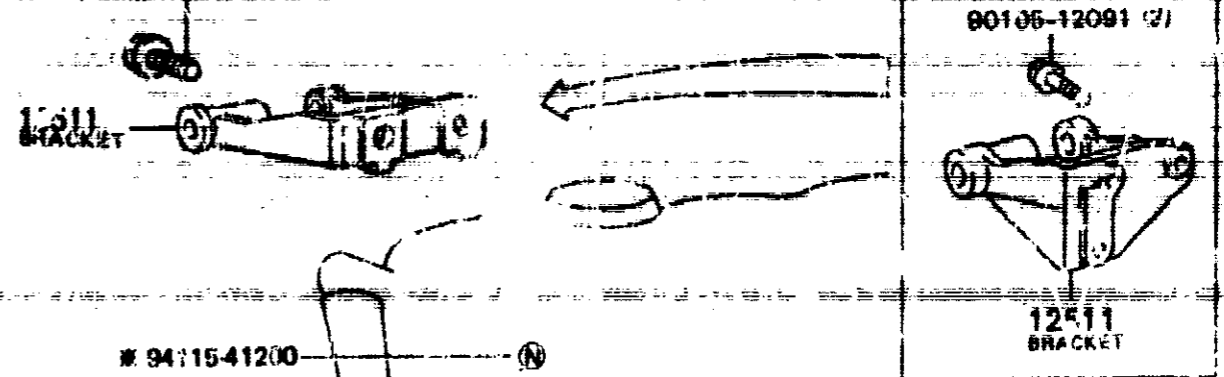
USA



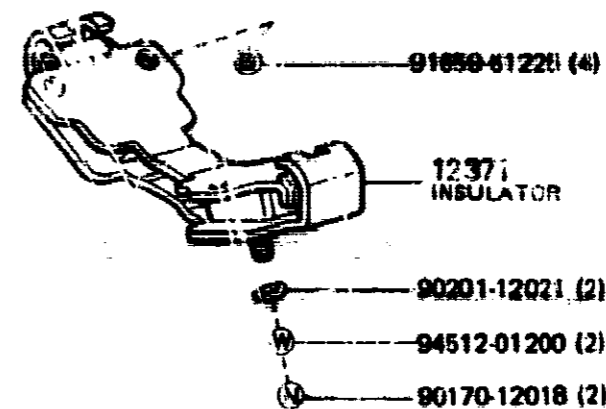
MA 4798-D

90105-12008 (2)

(8408- )



#1 ( -8210) includes in part 12361 INSULATOR



MA 6321-B

MA 4730D

MA 6321A 174-17-0100

PROG. DATE	MODELS	DESCRIPTION	PART NUMBER	REV. NO.	QTY.	REV. REF. (SHEET)	PROG. DATE	MODELS	DESCRIPTION	PART NUMBER	REV. NO.	QTY.	REV. REF. (SHEET)
FIG. 15-01	OIL PUMP												
8008-8309	2F..FJ40	COVER SUB-ASSY, OIL PUMP	15012-60014-		1	1	8008-8410	3B..BJ42, FJ40	VALVE, OIL PUMP RELIEF	15131-24010-		1	1 80
8008-8309	2F..FJ40	PUMP ASSY, OIL	15100-61010- (15100-61011-)		1	1	8008-8309	2F..FJ40	SPRING, OIL PUMP RELIEF VALVE	15132-40010-		1	1
8008-8408	3B..BJ42	STRAINER SUB-ASSY, OIL	15104-56040- (15104-56050-) (15193-56020-)		1	1	8008-8309	2F..FJ40	PLUG, OIL PUMP RELIEF VALVE	15132-76010-		1	1 80
8408-8410	3B..BJ42		15104-56050-		1	80	8008-8410	3B..BJ42		15133-24010-		1	1
8008-8109	3B..BJ42	GASKET (FOR OIL STRAINER)	15104-56050-		1	80	8008-8410	3B..BJ42	GASKET, OIL PUMP RELIEF VALVE	15133-20010-		1	1 80
8109-8408	3B..BJ42		15422-56020- (15193-56010-)		2	1	8007-8408	3B..BJ42	PIPE SUB-ASSY, OIL PUMP OUTLET	15403-56040-		1	1
8408-8410	3B..BJ42		15193-56010-		2	80	8408-8410	3B..BJ42		15403-56041-		1	80
8008-8410	3B..BJ42	COVER, OIL PUMP	15115-56030-		1	1 80	8008-8410	3B..BJ42	UNION (FOR OIL PUMP OUTLET PIPE)	90401-18002-		1	1 80
8008-8309	2F..FJ40	GEAR, OIL PUMP DRIVE	15121-88111-		1	1	8008-8410	3B..BJ42	GASKET (FOR OIL PUMP OUTLET PIPE)	90430-18012-		2	1 80
8008-8410	3B..BJ42		15121-56030-		1	1 80	8008-8309	2F..FJ40	PIPE, OIL PUMP OUTLET	15403-60020-		1	1
8008-8309	2F..FJ40	KEY, OIL PUMP DRIVE SHAFT	90280-03009-		1	1	8008-8309	2F..FJ40	UNION (FOR OIL PUMP OUTLET PIPE)	90404-16000-		1	1
8008-8309	2F..FJ40	GEAR, OIL PUMP DRIVEN	15122-79410-		1	1	8008-8309	2F..FJ40	SLEEVE, BALL (FOR OIL PUMP OUTLET PIPE)	90410-11005-		1	1
8008-8410	3B..BJ42		15122-56030-		1	1 80	8008-8309	2F..FJ40	NUT, UNION (FOR OIL PUMP OUTLET PIPE)	90402-76042-		1	1
8008-8309	2F..FJ40	SHAFT, OIL PUMP	15125-60010-		1	1	8008-8309	2F..FJ40	GASKET (FOR OIL PUMP OUTLET PIPE)	90430-5261-		2	1
8008-8309	2F..FJ40	SHAFT, OIL PUMP DRIVEN	15126-60013-		1	1							

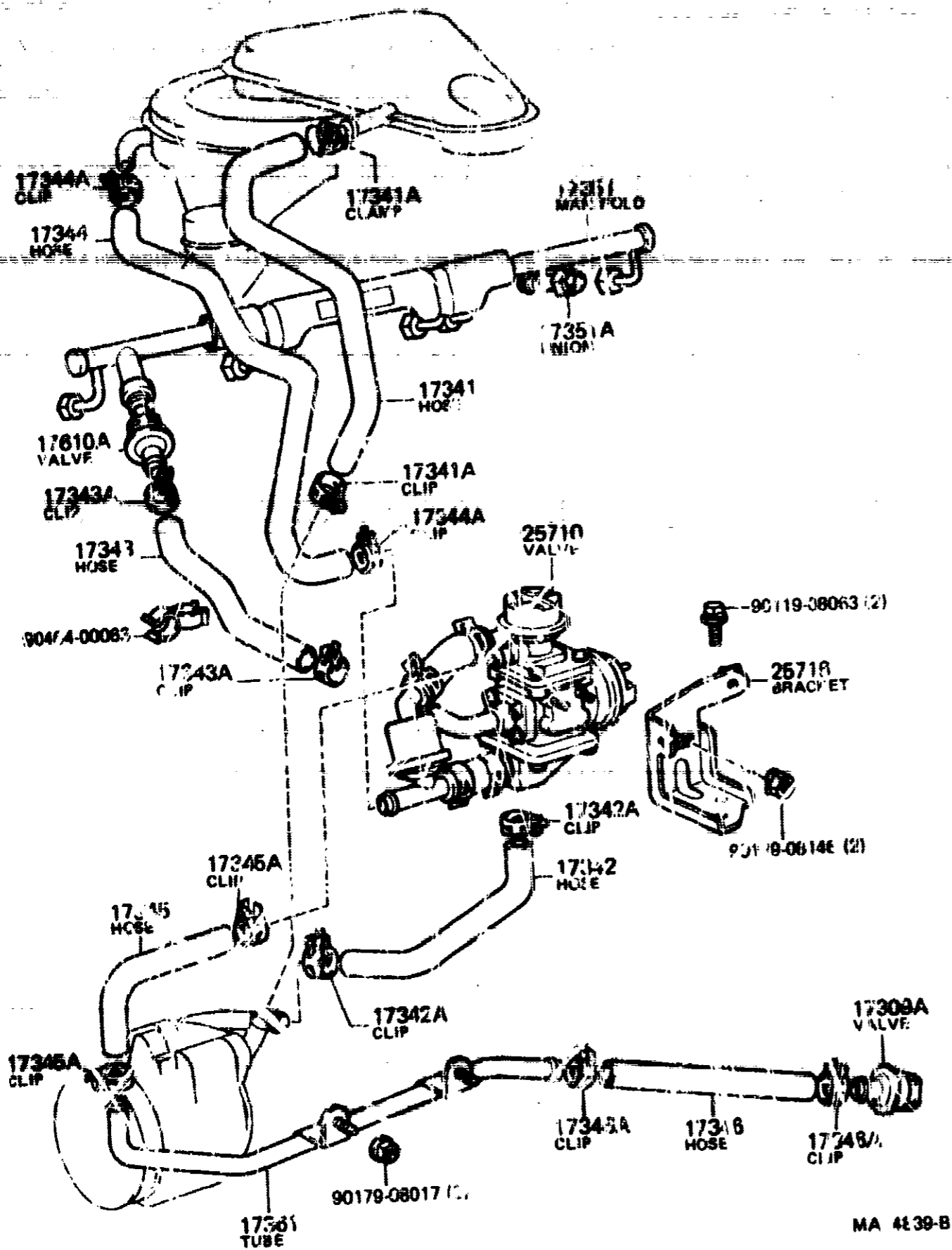
PROD. DATE	MODELS	DESCRIPTION	PART NUMBER	QTY	REF. CODE	PROD. DATE	MODELS	DESCRIPTION	PART NUMBER	QTY	REF. CODE
	16471	CAP SUB-ASSY, RESERVE TANK	16495-56012-	7	80		16572A	CLAMP OR CLIP, HOSE (FOR RADIATOR INLET, NO.1)			
8110-8410	CONTINUED 3B..BJ42					8008-8309	2F..FJ40	RADIATOR SIDE	96111-10530-	1	1
	16472	HOSE, BREATHER				8008-8309	2F..FJ40	PIPE SIDE	96111-10580-	1	1
8008-8410	3B..BJ42		85330-22020-	1	1	8010-8309	2F..FJ40	RADIATOR SIDE	96111-10510-	1	
	16507B	INSULATOR, RADIATOR PIPE				8008-8410	3B..BJ42				
8008-8309	2F..FJ40..V..USA	W/COOLER	17853-38010-	1	1	8010-8309	2F..FJ40..V..USA	W/COOLER	96111-10510-	2	
	16571	HOSE, RADIATOR, INLET				8008-8410	3B..BJ42		90460-50016-	2	1
8008-8309	2F..FJ40		16571-61042-	1	1		16572C	CLAMP OR CLIP, HOSE (FOR RADIATOR OUTLET, NO.2)			
8008-8110	3B..BJ42		16571-56010-	1	1	8008-8309	2F..FJ40		96111-10580-	2	1
8110-8410	3B..BJ42		16571-56011-	1	7	8008-8410	3B..BJ42	PIPE SIDE	90460-50016-	1	1
	16571A	CLAMP OR CLIP, HOSE (FOR RADIATOR INLET)				8008-8410	3B..BJ42	WATER PUMP SIDE	96111-10560-	1	80
8008-8309	2F..FJ40		90467-42001-	2	1		16577	PIPE, RADIATOR			
8008-8410	3B..BJ42	ID=50	90460-50016-	2	1	8008-8309	2F..FJ40		16577-61010-	1	1
	16572	HOSE, RADIATOR, OUTLET				8008-8309	2F..FJ40..V..USA	W/COOLER	16577-61120-	1	1
8008-8309	2F..FJ40	RADIATOR SIDE	16571-61050-	1	1	8008-8110	3B..BJ42		16577-56020-	1	1
8008-8309	2F..FJ40	WATER PUMP SIDE	90916-01056-	1	1	8110-8410	3B..BJ42		16577-56021-	1	7
8008-8309	2F..FJ40..V..USA	RADIATOR SIDE, W/COOLER	16571-61071-	1	1		16761	SHROUD BL-ASSY, FA...			
8008-8309	2F..FJ40..V..USA	WATER PUMP SIDE, W/COOLER	90916-01153-	1	1	8008-8309	2F..FJ40		16711-61091-	1	1
8008-8110	3B..BJ42	WATER PUMP SIDE	16572-56060-	1	1	8008-8309	2F..FJ40..V..USA	W/COOLER	16711-61080-	1	
8008-8110	3B..BJ42	RADIATOR SIDE	16573-56020-	1	1	8008-8210	3B..BJ42		16701-56022-	1	1
8110-8207	3B..BJ42	RADIATOR SIDE	16573-56021- (16573-56022-)	1	7	8210-8410	3B..BJ42		16701-56240-	1	17
8110-8301	3B..BJ42	WATER PUMP SIDE	16572-56061- (16572-56062-)	1	7						
8207-8410	3B..BJ42	RADIATOR SIDE	16573-56022-	1	80						
8301-8410	3B..BJ42	WATER PUMP SIDE	16572-56062-	1	80						

FIG. 17-06 MANIFOLD AIR INJECTION SYSTEM

1-B5

GENUINE TOYOTA PARTS

(8008-8309) 2F...USA



PROJ. DATE	MODELS	DESCRIPTION	PART NUMBER	QTY	REV. REF. CODE
FIG.	17-06 MANIFOLD AIR INJECTION SYSTEM				
8008-1309	2F..FJ40..USA	1 17302A VALVE, CHECK	90917-10057-	1	
8008-8309	2F..FJ40..USA	1 17341 HOSE, NO. 1 (FOR AIR INJECTION SYSTEM)	17341-61021-	1	
8008-8010	2F..FJ40..USA	1 17341A CLAMP OR CLIP, NO. 1 (FOR AIR INJECTION SYSTEM HOSE, NO. 1)			
8008-8309	2F..FJ40..USA	AIR CLEANER R SIDE	96112-10380-	1	
8010-8309	2F..FJ40..USA	AIR CLEANER R SIDE	96111-10380-	1	
8008-8309	2F..FJ40..USA	1 17342 HOSE, NO. 2 (FOR AIR INJECTION SYSTEM)	17342-61030-	1	
8008-8309	2F..FJ40..USA	1 17342A CLAMP OR CLIP, NO. 2 (FOR AIR INJECTION SYSTEM HOSE, NO. 2)	90467-28003-	2	
8008-8309	2F..FJ40..USA	1 17343 HOSE, NO. 3 (FOR AIR INJECTION SYSTEM)	17343-61020-	1	
8008-8309	2F..FJ40..USA	1 17343A CLAMP OR CLIP, NO. 3 (FOR AIR INJECTION SYSTEM HOSE, NO. 3)	90467-28003-	2	
8008-8309	2F..FJ40..USA	1 17344 HOSE, NO. 4 (FOR AIR INJECTION SYSTEM)	17344-61011-	1	
8008-8309	2F..FJ40..USA	1 17344A CLAMP OR CLIP, NO. 4 (FOR AIR INJECTION SYSTEM HOSE, NO. 4)	90467-28001-	2	
8008-8309	2F..FJ40..USA	1 17345 HOSE, NO. 5 (FOR AIR INJECTION SYSTEM)	17345-61030-	1	
8008-8309	2F..FJ40..USA	1 17345A CLAMP OR CLIP, NO. 5 (FOR AIR INJECTION SYSTEM HOSE, NO. 5)	90467-28001-	2	



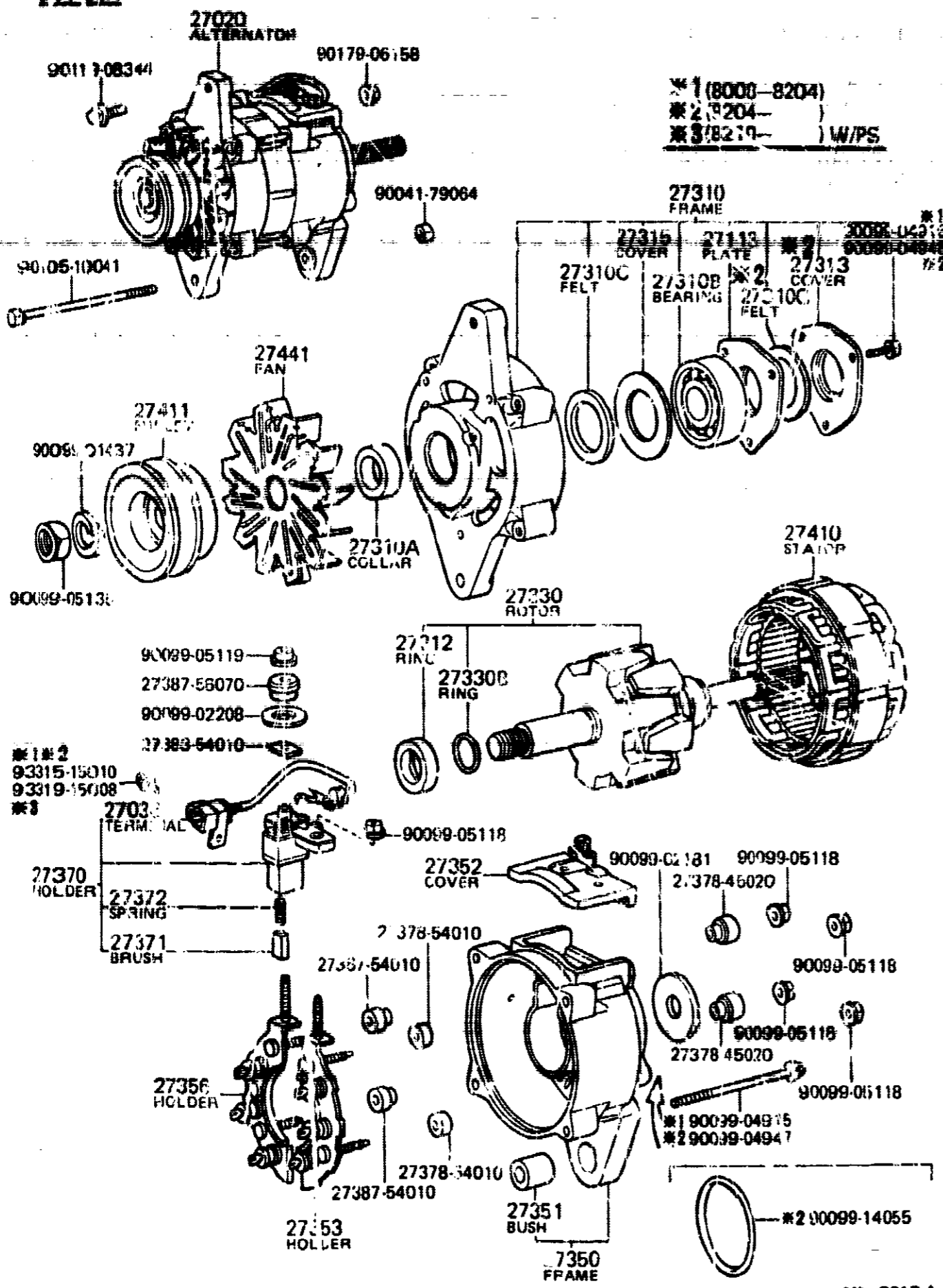
FIG 19-03 ALTERNATOR

1-B6

GENUINE TOYOTA PARTS

(80)8- 13B

2 1/2 21A



\*1 (8008-8204)  
\*2 (8204-  
\*3 (8210- ) W/PS

PKG. DATE	MODELS	DESCRIPTION	PART NUMBER	QTY.		
				FIG	U.S.	YR.
FIG.	19-03 ALTERNATOR					
	1 27020	ALTERNATOR ASSY				
8008-8110	2F..FJ40..CND	12V 55A	27020-61081-	1	1	6
8008-8309	2F..FJ40..USA	12V 55A	27020-61071-	1	1	
8008-8309	2F..FJ40..USA	12V 40A	27020-61100-	1	1	
8008-8204	3B..BJ42	24V 20A	27020-57101-	1	1	
8204-8410	3B..BJ42	24V 20A	27020-56170-	1		80
8210-8410	3B..BJ42	24V 20A W/PS	27020-56250-	1	19	80
	1 27036	TERMINAL SUB-ASSY, LEAD WIRE, ALTERNATOR				
8008-8309	3B..BJ42	24V 20A	27036-57100-	1	1	80
	1 27039	COVER, REAR END				
8008-8309	2F..FJ40	12V 55A	27039-15010-	1	1	
	1 27061	PLATE, REGULATOR COVER				
8008-8309	2F..FJ40	12V 55A	27062-45050-	1		
	1 27113	PLATE, BEARING RETAINER, ALTERNATOR				
8008-8309	3B..BJ42	24V 20A	27113-56070-	1	1	
8204-8410	3B..BJ42	24V 20A	27113-57060-	1		80
	1 2 212	RING, SPACE (FOR ALTERNATOR ROTOR)				
8008-8309	2F..FJ40	12V 55A	27112-45070-	1	1	
8008-8309	2F..FJ40..USA	12V 40A	27212-39050-	1	1	
8008-8204	3B..BJ42	24V 20A	27412-54040-	1	1	
8204-8410	3B..BJ42	24V 20A	27333-57060-	1		80
	1 27310	FRAME ASSY, DRIVE END, ALTERNATOR				
8008-8110	2F..FJ40..CND	12V 55A	27310-58061-	1	1	6
8008-8207	2F..FJ40..USA	12V 55A	27310-61070-	1	1	
8008-8309	2F..FJ40..USA	12V 40A	27310-15030-	1	1	
8207-8309	2F..FJ40..USA	12V 55A	27310-45110-	1		
8008-8204	3B..BJ42	24V 20A	27310-57101-	1	1	
8204-8410	3B..BJ42	24V 20A	27310-56140-	1		80

ME: 8817-A

PROD. DATE	MODELS	DESCRIPTION	PART NUMBER	REV. REF. CODE		PROD. DATE	MODELS	DESCRIPTION	PART NUMBER	REV. REF. CODE	
				FROM	UP TO					FROM	UP TO
FIG. 21-03	CARBURETOR										
8008-8309	2F..FJ40	JET SUB-ASSY, 2ND	21024-61010-	1	1	8008-8309	2F..FJ40..USA	21271-61140-	1	1	
8008-8110	2F..FJ40..CND	HORN, AIR	21112-61112-	1	1	6	8008-8309	2F..FJ40..USA	21673-61140-	1	1
8008-8309	2F..FJ40..USA	INSULATOR	21112-61140-	1	1		8008-8110	2F..FJ40..CND	21273-38010-	1	1
8008-8309	2F..FJ40	OPENER	21165-61110-	1	1		8008-8309	2F..FJ40..USA	21273-61140-	1	1
8008-8309	2F..FJ40..USA	BREAKER	21191-61110-	1	1		8008-8110	2F..FJ40..CND	21273-30052-	1	1
8008-8309	2F..FJ40..USA	JET SUB-ASSY, SLOW	21192-61020-	1	1		8008-8309	2F..FJ40..USA	21272-61140-	1	1
8008-8309	2F..FJ40	FLOAT SUB-ASSY	21205-61011-	1	1		8008-8110	2F..FJ40..CND	21301-31050-	1	1
8008-8309	2F..FJ40	JET, 1ST MAIN	21209-33011-	1	1		8008-8309	2F..FJ40..USA	21301-61020-	1	1
8008-8110	2F..FJ40..CND	ID=1.38	90999-41138-	1	1	6	8008-8309	2F..FJ40	21313-11020-	1	1
8008-8309	2F..FJ40..USA	ID=1.47	90999-41147-	1	1		8008-8309	2F..FJ40	21314-11020-	1	1
8008-8309	2F..FJ40	JET, 2ND MAIN	90999-42200-	1	1		8008-8309	2F..FJ40	21304-61060-	1	1
8008-8309	2F..FJ40	ID=2.00	90999-42200-	1	1		8008-8309	2F..FJ40..USA	21346-61140-	1	1
8008-8309	2F..FJ40	JET, POWER	90999-43080-	1	1		8008-8309	2F..FJ40..USA	21641-38110-	1	1
8008-8309	2F..FJ40	ID=0.80	90999-43080-	1	1		8008-8309	2F..FJ40..USA	21351-34030-	1	1
8008-8309	2F..FJ40	SPRING (FOR PUMP JET)	21864-26020-	1	1						
8008-8110	2F..FJ40..CND	SCREW, IDLE ADJUSTING	21271-61061-	1	1	6					

FIG. 22-06

GENUINE TOYOTA PARTS

1-B9

GENUINE TOYOTA PARTS

PROD. DATE	MODELS	DESCRIPTION	PART NUMBER	QTY	REVISION		PROD. DATE	MODELS	DESCRIPTION	PART NUMBER	QTY	REVISION	
					FROM	UP TO						FROM	UP TO
8008-8410	3B..BJ42	GASKET, FEED PUMP PISTON PLUG	22522-77020- (90099-01432-	1	1	80							
8008-8410	3B..BJ42	TAPPET, FEED PUMP	22524-77021--	1	1	80							
8008-8410	3B..BJ42	ROLLER, FEED PUMP TAPPET	22525-77026--	1	1	80							
8008-8410	3B..BJ42	PIN, FEED PUMP TAPPET ROLLER	22526-77027--	1	1	80							
8008-8410	3B..BJ42	BLOCK FEED PUMP TAPPET SLIDING	22527-56010--	2	1	80							
8008-8410	3B..BJ42	RING, FEED PUMP TAPPET SNAP	22528-77020--	1	1	80							
8008-8410	3B..BJ42	FILTER, FUEL PUMP	22529-67010--	1	1	80							
8008-8410	3B..BJ42	SCREW FUEL PIPE FOLLOW	22535-66010--	1	1	80							



1315

LAND CRUISER HONEY U.S.A.  
 PRODUCTION FRAME NUMBER REFERENCE LIST

Applicable Model	Production Date Assembly Line	8001	8002	8003	8004	8005	8006	8007	8008	8009	8010	8011	8012
BJ42	TMC Honey Plant	-	-	000001	000002	-	000003	-	000004	000004	000002	000733	000001
FJ40	TMC Honey Plant	310004	310023	310450	321173	322124	324752	321007	327005	328007	300000	301000	300000

Applicable Model	Production Date Assembly Line	8101	8102	8103	8104	8105	8106	8107	8108	8109	8110	8111	8112
BJ42	TMC Honey Plant	001101	001203	001304	001502	001647	001752	001806	001907	002004	002100	002200	002300
FJ40	TMC Honey Plant	333032	333070	333330	330230	339122	341301	342001	344002	344003	344007	344001	340523

Applicable Model	Production Date Assembly Line	8201	8202	8203	8204	8205	8206	8207	8208	8209	8210	8211	8212
BJ42	TMC Honey Plant	002025	003100	003337	003018	003734	003044	004071	004204	004209	004359	004401	004549
FJ40	TMC Honey Plant	352467	353204	354148	354134	355577	360003	360902	367005	368124	368312	360000	360501

Applicable Model	Production Date Assembly Line	8301	8302	8303	8304	8305	8306	8307	8308	8309	8310	8311	8312
BJ42	TMC Honey Plant	004625	004807	004801	004916	005008	005177	005201	005034	005004	005004	005043	005073
FJ40	TMC Honey Plant	361221	362006	362645	363320	363876	364007	364000	364001	365020	365001	366353	360003

Applicable Model	Production Date Assembly Line	8401	8402	8403	8404	8405	8406	8407	8408	8409	8410	8411	8412
BJ42	TMC Honey Plant	006008	006104	006176	006102	007079	007278	007170	007032	007109	007049		
FJ40	TMC Honey Plant	367412	368103	368300	368102	369023	369076	371210	370445	370533	371207		

# MARK & ABBREVIATION LIST

B16

(1) Abbreviations

Mark	Definition	Mark	Definition	Mark	Definition	Mark	Definition
	Armying	A40	A40 Type Transmission (3-speed)	EGF	EGF Vacuum Modulator	KUZEN	Kuzen Company Limited
	And	A40D	A40D Type Transmission (4-speed)	EXCL	Exclude	KW	Kilowatts
+	And (Plus)	A43D	A43D Type Transmission (4-speed)	FB	Fabric	L	Length (mm)
-	Excluded (Minus)	A43DE	A43DE Type Transmission (4-speed)	FR	Front	L-	Light
*	All series	A43DE	A43DE Type Transmission (4-speed)	FUJI-THOMSON	Fuji-Thomson Company Limited	LB	1 Pound
X	All series (All)	A43DE	A43DE Type Transmission (4-speed)	G	Granite	LE	Pounds
TSR	TSR	A43DE	A43DE Type Transmission (4-speed)	G-	Greenish	LE	LE type
2D	2-door	A55	A55 Type Transmission (3-speed)	GL	GL type	LF	LF type
2DS	2-door Sedan	A140E	A140E Type Transmission (4-speed)	GS	Japan Storage Battery Company Limited	LH	Left-hand
2WD	2-door Station Wagon			GT	GT type	LHD	Left-hand Drive
2FC	2-speed Automatic Transmission, Floor Shift	A1V	Air By-pass Valve	GTS	GTS type	L/B	Less Passive Belt
2HC	2-speed Automatic Transmission, Column Shift	A2V	Air Control Valve	HA	High Altitude Specification	IT	IT type
2ND	Second	ARAKAWA	Arakawa Auto Body Company Limited	HAC	High Altitude Compensator	LSL	Limited Slip Differential
3D	3-door	ASCO	Aisin Seiki Company Limited	HDX	Hi-dex type	LWR	Lower
3DS	3-door Sedan (Hatch-back)	ASBY	Assembly	HLF	0.5 ton	M	Metric
3FC	3-speed Automatic Transmission, Floor Shift	ASV	Air Switching Valve	HT	Hardtop	-M	Metallic
3H	3-speed Manual Transmission, Column Shift	ATM	Automatic Transmission	HVY	Heavy	MARUKO	Maruko Keihoku Company Limited
3HC	3-speed Automatic Transmission, Column Shift	B	Brownish	ID	Inside Diameter (mm)	MATSUSHITA	Matsushita Electric Industrial Company Limited
3SD	Third	BRIDGESTONE	Bridgestone Company Limited	IK	Ichiko Industrial Limited	M-C	Master Cylinder
3QF	0.75 ton	BIRK	Brake	IM-FB	Imitation Fabric	MM	Millimeters
4D	4-door	BST	Bumper	IN	Inches	MT	Manual Transmission
4DS	4-door Sedan	BVSV	Bimetal Vacuum Switching	ISO	International Organization for Standardization	MURAOKA	Murakami Kaimado Company Limited
4PW	4-door Station Wagon	CBF	Carburetor system	IV	Incomplete Vehicles	N	Number of teeth
4F	4-speed Manual Transmission, Floor Shift	CBU	Completely Built Unit	IV1	Chassis & Windshield	NACHI	Nippon Seiki Company Limited
4FC	4-speed Automatic Transmission, Floor Shift	CCFZEN	Chiyoh Gensetsu Company Limited	IV3	Chassis & Cab	NIHON	Nihon Thermostat Company Limited
6H	4-speed Manual Transmission, Column Shift	CM	Centimeters	JECO	Japan Coil Spring Limited	NOX	Nippon Oil and Industry Company Limited
4TH	Fourth	CM2	Centimeters square	IKC	Ishikawa Koki Company Limited	NSK	Nippon Seiki Company Limited
5D	5-door	CND	For Canada	KAYABA	Kayaba Industry Company Limited	OD	Outside Diameter (mm)
5DS	5-door Sedan (Hatch-back)	CP	Copper	KCAL	Kyo Calorie	OS	Oversize
5F	5-speed Manual Transmission, Floor Shift	CR-PLATED	Chrome Plated	K-FB	Kan Fibre	P	Pitch
5TH	Fifth	CTR	Center	K-TV	Knit Tace Yarn	P & B	Proportioning & By-pass Valve System
6F	6-speed Manual Transmission, Floor Shift	CVT	Convertible	KG	Kilograms	PCV	Positive Crankcase Ventilation
&	And	CW	Cool Winding	KG CM2	Kilograms per centimeter square	PF	Perforated foam coated vinyl latherte
A	Amperes	D	Dark			PIC	Pickup
A20	A20 Type Transmission (2-speed)	DENSO	Denso Company Limited			PS	Power Steering
		DFF	Differential				
		DLX	Deluxe type				
		DUNLOP	Dunlop Rubber Company (Japan) Limited				
		DX	DX type (Deluxe type)				
		LDK	Electronic Diesel Injector Control				
		EFI	Electronic Fuel Injection System				
		EGR	Exhaust Gas Recirculation System				

FIG. 11-01 PARTIAL ENGINE ASSEMBLY

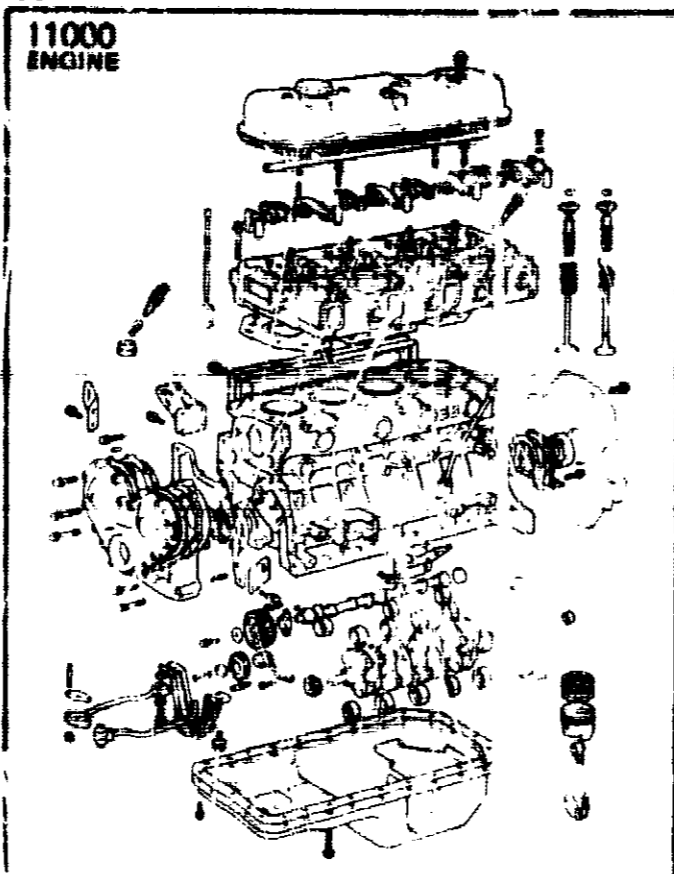
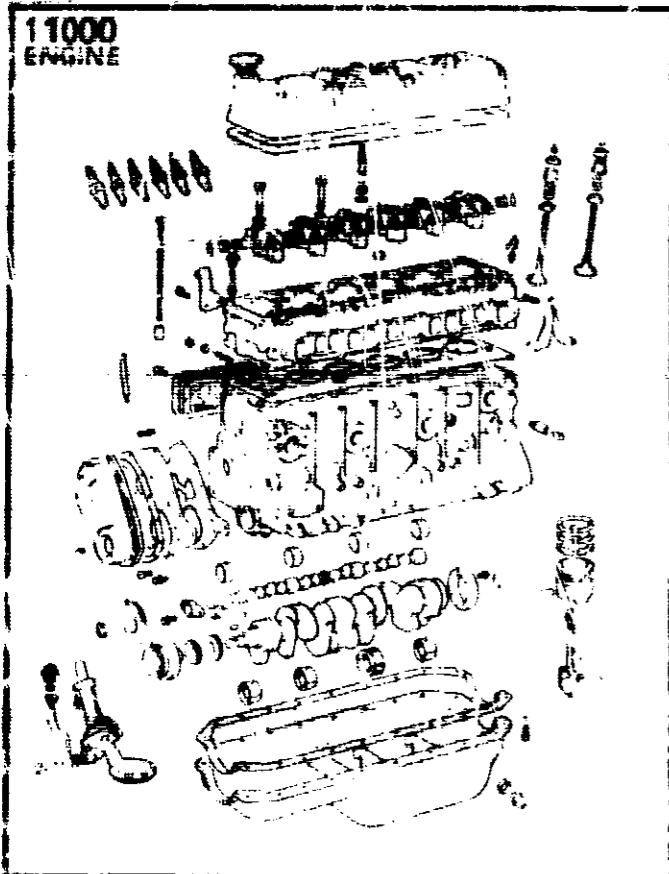
1-C1

GENUINE TOYOTA PARTS

( 8008- )

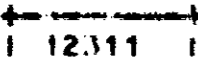
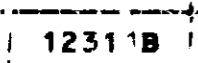
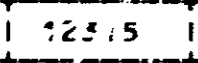
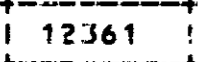
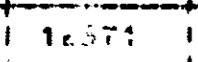
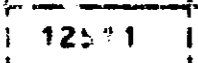
2F ( -8309)

3B



MA 771 A

INTOD. DATE	MODELS	DESCRIPTION	R/P	PART NUMBER	QTY.	REV. REF. CODE	
						FROM	UP TO
FIG.	11-01 PARTIAL ENGINE ASSEMBLY						
	11000	ENGINE ASSY, PARTIAL					
8008-8110	2F..FJ40..CND			19000-61200-	1	1	6
8008-8309	2F..FJ40..USA			19000-61210-	1	1	
8008-8201	3B..BJ42			19000-58010-	1	1	30
8201-8209	3B..BJ42			19000-58011-	1	31	
				(19000-38012-			
8209-8408	3B..BJ42			19000-58012-	1		94
8408-8410	3B..BJ42			19000-58040-	1	95	80

PROD. DATE	MODELS	DESCRIPTION	PART NUMBER	QTY	REV. REF. CODE		PROD. DATE	MODELS	DESCRIPTION	PART NUMBER	QTY	REV. REF. CODE	
					FROM	UP TO						FROM	UP TO
FIG.	1'-07 MOUNTING												
		BRACKET, ENGINE MOUNTING, FRONT NO. 1		RH									
8008-8309	2F..FJ40		12311-61011- (12311-61012- ) (90119-12068- )	1	1								
8008-8309	2F..FJ40..V..USA	W/COOLER	12301-61012- (12301-61013- ) (90119-12068- )	1									
8008-8410	3B..BJ42		12311-56030-	1		80							
		BUSH (FOR ENGINE MOUNTING) BRACKET)											
8008-8309	2F..FJ40..V..USA	W/COOLER	90387-10028-	1	1								
		BRACKET, ENGINE MOUNTING, FRONT NO. 1		LH									
8008-8309	2F..FJ40		12315-61011- (12315-61012- ) (90119-12068- )	1	1								
8008-8205	3B..BJ42		12315-56010- (12315-56011- )	1	1								
8205-8410	3B..BJ42		12315-56011-	1		80							
		INSULATOR, ENGINE MOUNTING, FRONT											
8008-8309	2F..FJ40		12361-61020-	2	1								
8008-8210	3B..BJ42		12361-59035- (12361-56031- ) (9415-61200- ) (9452-01200- )	2	1	10							
8210-8410	3B..BJ42		12361-56031-	2	19	80							
		INSULATOR, ENGINE MOUNTING, REAR NO. 1											
8008-8309	2F..FJ40		12371-61020-	1	1								
8008-8410	3B..BJ42		12371-56010-	1		80							
		BRACKET, ALTERNATOR, NO. 1											
8008-8110	2F..FJ40..CND		12511-60001-	1	1	6							
8008-8309	2F..FJ40..USA		12511-51021-	1	1								
8008-8202	3B..BJ42		12511-56030- (12511-56031- )	1	1								
8202-8408	3E..BJ42		12511-56031-	1									
8408-8410	3B..BJ42		12511-56040-	1		80							



PROD. DATE	MODELS	DESCRIPTION	PART NUMBER	QTY	REV. REF. CODE	
					FROM	UP TO
8008-8309	15413F 2F..FJ40	BOLT, UNION (FOR OIL PUMP OUTLET PIPE)	90401-14093-	1	1	
8008-8410	15706 3B..BJ42	P.PE SUB-ASSY. OIL INJECTION PUMP OUTLET	15077-54010-	1	1	80
8008-8410	15706A 3B..BJ42	UNION (FOR INJECTION PUMP OUTLET PIPE)	90044-01010-	1	1	80
8008-8410	15706B 3B..BJ42	GASKET (FOR INJECTION PUMP OUTLET PIPE)	90044-30026-	2	1	80

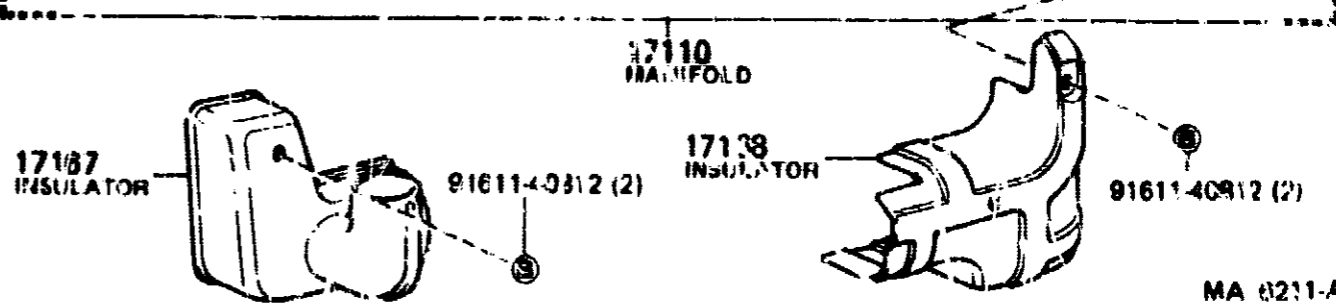
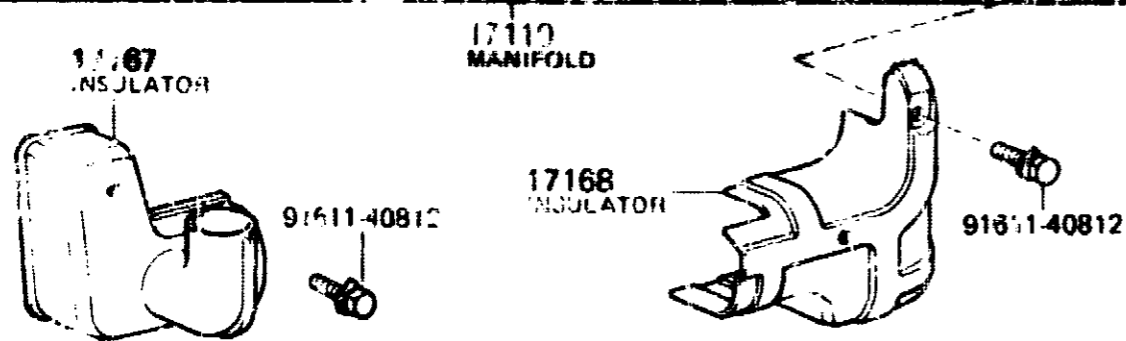
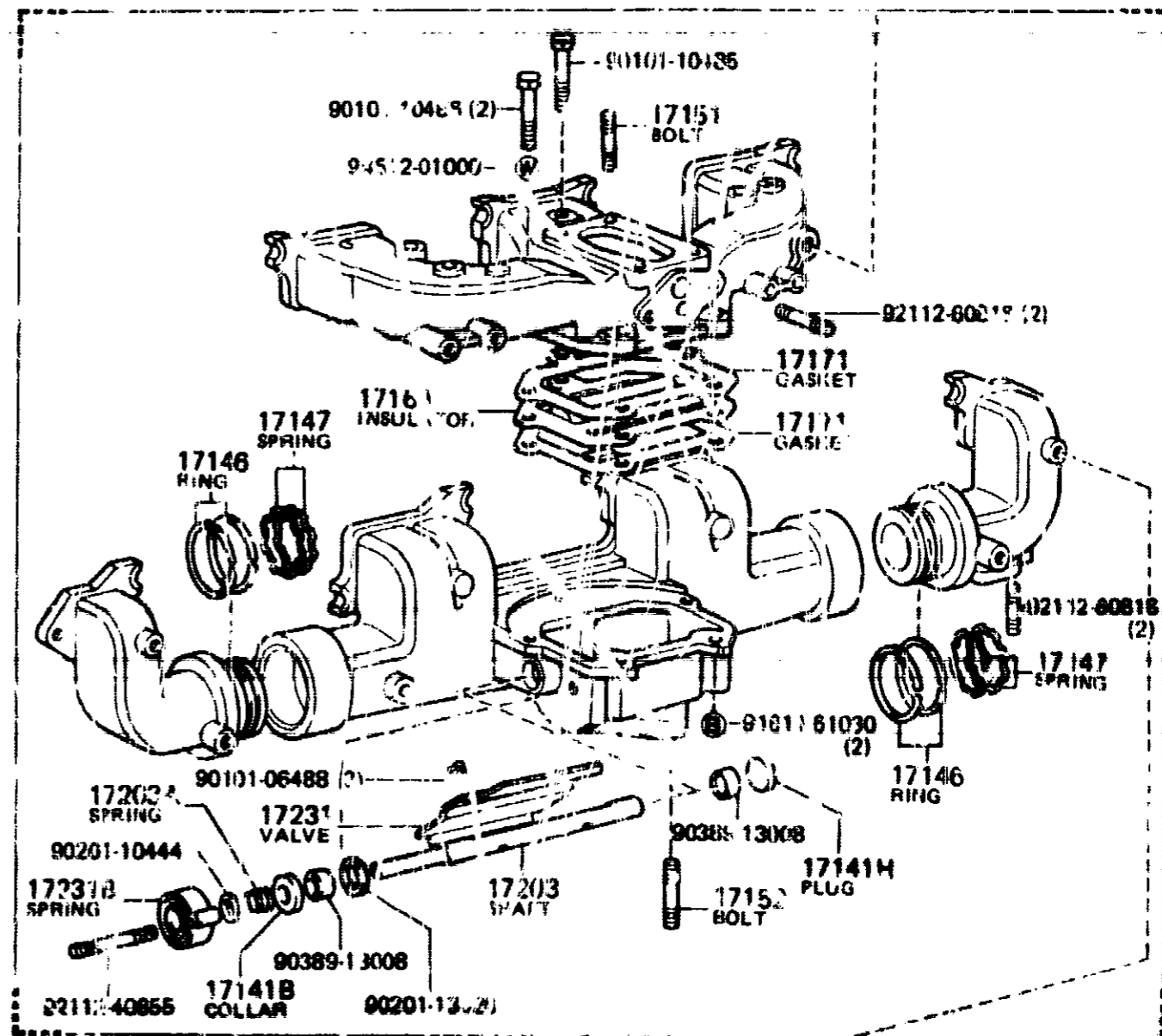
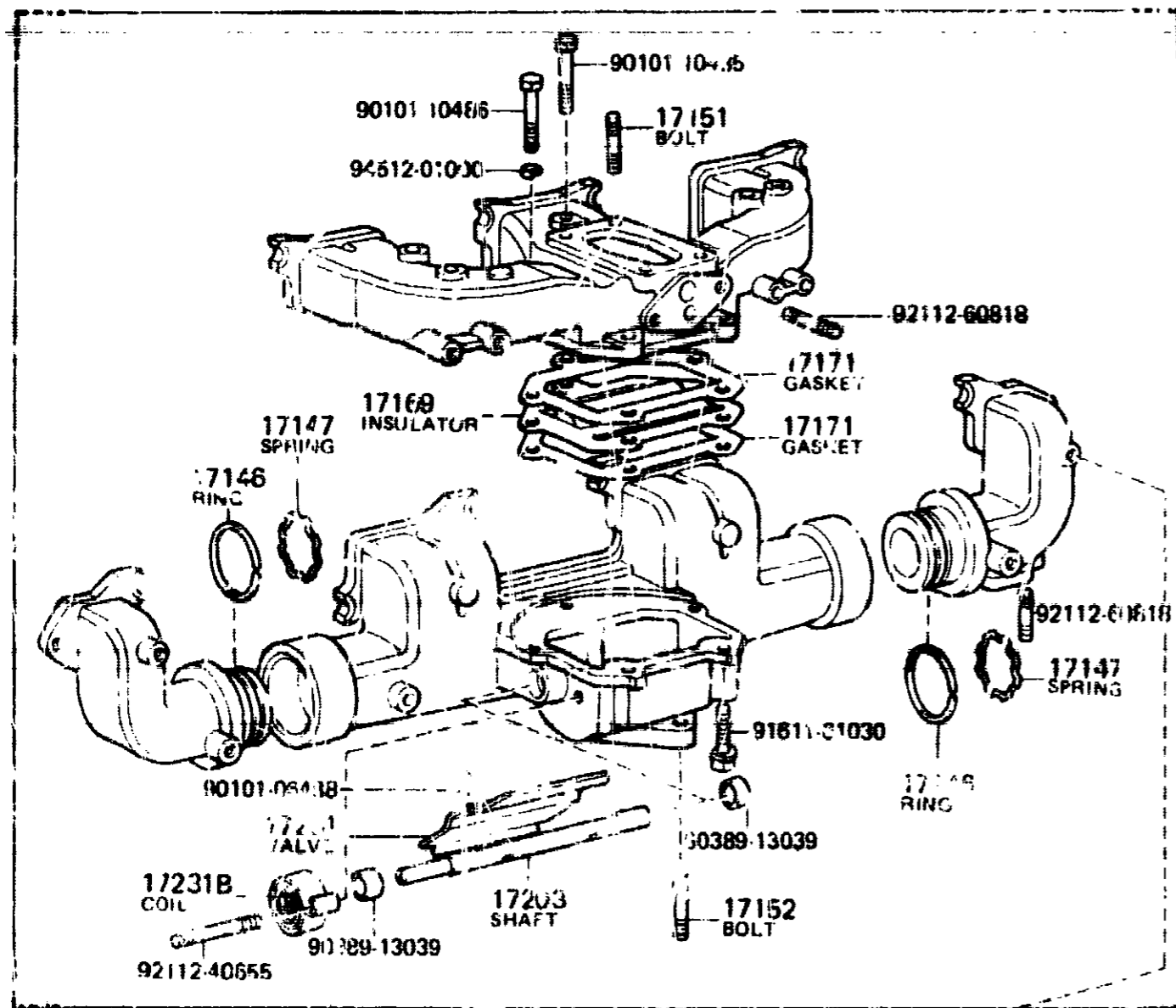
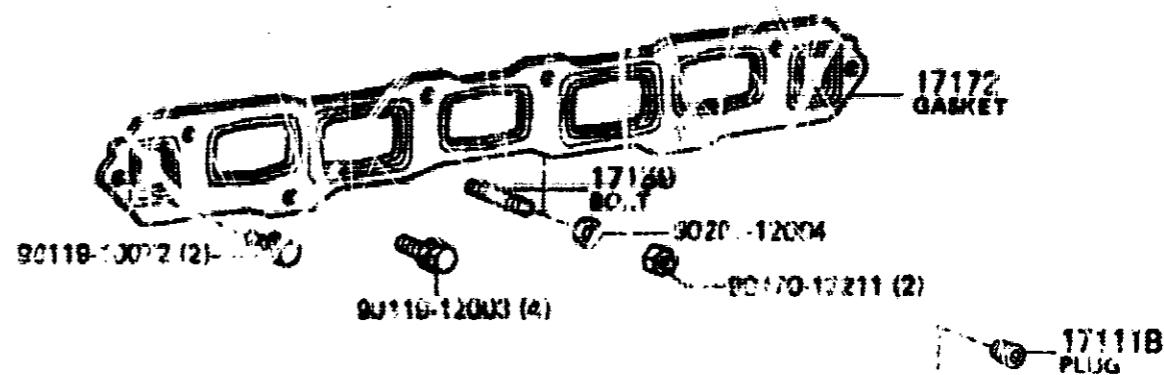
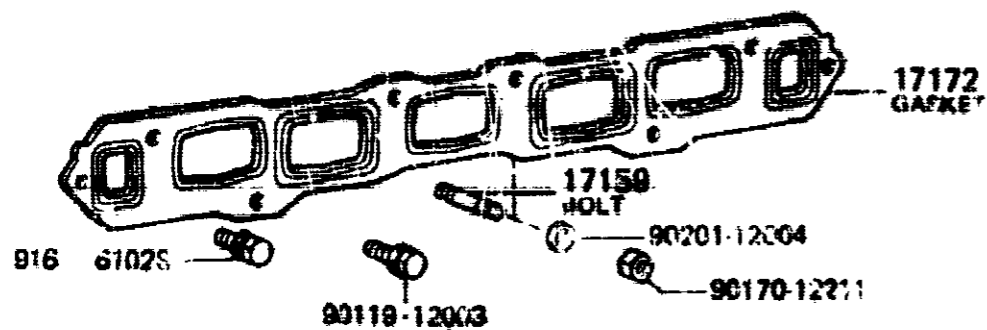
PROD. DATE	MODELS	DESCRIPTION	PART NUMBER	QTY	REV. REF. CODE	
					FROM	UP TO

FIG. 17-01 MANIFOLD

1-9

(8008-8209) 2F..USA

(8209-8309) 2F..USA



MA 1312

MA 6211-A

PROD. DATE	MODELS	DESCRIPTION	PART NUMBER	QTY	REV. REF. CODE		PROD. DATE	MODELS	DESCRIPTION	PART NUMBER	QTY	REV. REF. CODE	
					FROM	UP TO						FROM	UP TO
8008-8309	2F..FJ40..USA	HOSE, NO.6 (FOR AIR INJECTION SYSTEM)	17346-61020-	1									
8008-8309	2F..FJ40..USA	CLAMP DR CLIP, NO.6 (FOR AIR INJECTION SYSTEM HOSE, NO.6)	90467-28001-	2									
8008-8309	2F..FJ40..USA	MANIFOLD, AIR INJECTION	17306-61021-	1									
8008-8309	2F..FJ40..USA	UNION, AIR INJECTION	90404-14329-	5									
8004-8309	2F..FJ40..USA	TUBE, AIR	17361-61010-	1									
8008-8309	2F..FJ40..USA	VALVE, CHECK (FOR AIR INJECTION SYSTEM)	90917-10057-	1									
8008-8309	2F..FJ40..USA	VALVE ASSY, AIR SWITCHING	25710-61021-	1									
8008-8309	2F..FJ40..USA	BRACKET, AIR SWITCHING VALVE	25716-61011-	1									

PROC. DATE	MODELS	DESCRIPTION	PART NUMBER	QTY	REV. REF. CODE	
					FROM	LP TO
8210-8410	1 27310 CONTINUED 3B..BJ42	1 FRAME ASSY, DRIVE END, ALTERNATOR 24V 20A, W/PS	27310-56160-	1	19	80
8008-8309	1 27310A 2F..FJ40	1 COLLAR OR NUT (FOR ALTERNATOR DRIVE END FRAME) 12V 40A, 55A	27412-31040-	1	1	
8008-8204	3B..BJ42	24V 20A	90099-19251-	1	1	
8204-8410	3B..BJ42	24V 20A	27412-57060-	1		80
8008-8309	1 27310B 2F..FJ40	1 BEARING (FOR ALTERNATOR DRIVE END FRAME) 12V 55A	90099-10125-	1	1	
8008-8309	2F..FJ40..USA	12V 40A	90099-10126-	1	1	
8008-8204	3B..BJ42	24V 20A	90099-10120-	1	1	
8204-8410	3B..BJ42	24V 20A	90099-10137-	1		80
8008-8204	1 27310C 3B..BJ42	1 FELT (FOR ALTERNATOR DRIVE END FRAME) 24V 20A	90099-02209-	1	1	
8204-8410	3B..BJ42	24V 20A		2		80
8204-8410	1 27313 3B..BJ42	1 COVER, ALTERNATOR FELT, INNER NO.2 24V 20A	27313-57060-	1		80
8008-8204	1 27315 3B..BJ42	1 COVER, ALTERNATOR FELT, INNER NO.1 24V 20A	27315-56070-	1	1	
8204-8410	3B..BJ42	24V 20A	27315-57060-	1		80
8008-8309	1 27330 2F..FJ40	1 ROTOR ASSY, ALTERNATOR 12V 55A	27330-45090-	1	1	
8008-8309	2F..FJ40..USA	12V 40A	27330-26050-	1	1	
8008-8204	3B..BJ42	24V 20A	27330-54050-	1	1	
8204-8410	3B..BJ42	24V 20A	27330-56100-	1		80
8008-8309	1 27330A 2F..FJ40	1 BEARING (FOR ALTERNATOR ROTOR) 12V 55A	90099-10116-	1	1	
8008-8309	2F..FJ40..USA	12V 40A	90099-10111-	1	1	

PROC. DATE	MODELS	DESCRIPTION	PART NUMBER	QTY	REV. REF. CODE	
					FROM	LP TO
8008-8309	1 27330B 2F..FJ40..UEA	1 RING, SNAP (FOR ALTERNATOR ROTOR) 12V 40A	90099-07048-	1	1	
8008-8204	3B..BJ42	24V 20A	90099-07108-	1	1	
8204-8410	3B..BJ42	24V 20A	90099-07103-	1		80
8008-8110	1 27350 2F..FJ40..CN	1 FRAME ASSY, RECTIFIER END 12V 55A	27359-45122-	1	1	
8008-8309	2F..FJ40..USA	12V 40A	27359-35040-	1	1	
8008-8309	2F..FJ40..USA	12V 55A	27359-45140-	1	1	
8008-8204	3B..BJ42	24V 20A	27350-57061-	1	1	
8204-8410	3B..BJ42	24V 20A	27350-55140-	1		80
8008-8309	1 27350B 2F..FJ40	1 CONDENSER, ALTERNATOR 12V 55A	90099-52065-	1	1	
8008-8309	1 27351 2F..FJ40	1 BUSH (FOR ALTERNATOR RECTIFIER END FRAME) 12V 40A, 55A	27351-38051-	1	1	
8008-8410	3B..BJ42	24V 20A	27351-56013-	1	1	80
8008-8410	1 27352 3B..BJ42	1 COVER, FRAME BRUSH 24V 20A	27383-57060-	1	1	80
8008-8410	1 27353 3B..BJ42	1 HOLDER, W/RECTIFIER POSITIVE, ALTERNATOR 24V 20A	27353-56090-	1	1	80
8008-8410	1 27356 3B..BJ42	1 HOLDER, W/RECTIFIER NEGATIVE, ALTERNATOR 24V 20A	27356-54021-	1	1	80
8008-8011	1 27352 2F..FJ40	1 RECTIFIER ASSY, W/BRUSH 12V 55A	27362-70010- (27362-70011-	1	1	
8011-8309	2F..FJ40	12V 55A	27362-70011-	1	1	
8008-8309	2F..FJ40..USA	12V 40A	27362-61100-	1	1	
8008-8410	1 27370 3B..BJ42	1 HOLDER ASSY, ALTERNATOR BRUSH 24V 20A	27370-57100-	1	1	80

PROD. DATE	MODELS	DESCRIPTION	PART NUMBER	QTY	REV. REF. CODE	
					FROM	UP TO
8008-8309	2F..FJ40	PLUNGER, PUMP	21353-61020-	1	1	
8008-8309	2F..FJ40	CLIP, CHOKE WIRE	21392-61020-	1	1	
8008-8110	2F..FJ40..CND	SHAFT, CHOKE	21054-61020-	1	1	6
8008-8309	2F..FJ40..USA		21054-61140-	1	1	
8008-8309	2F..FJ40	RETAINER, CHECK BALL	21538-31010-	1	1	
8008-8309	2F..FJ40	GASKET, MAIN PASSAGE	21611-22010-	2	1	
8008-8309	2F..FJ40	GASKET, MAIN PASSAGE PLUG	21614-61200-	2	1	
8008-8309	2F..FJ40	GASKET, NEEDLE VALVE SEAT	21617-30010-	2	1	
8008-8309	2F..FJ40	GASKET, UNION NIPPLE	21618-14010-	1	1	
8008-8309	2F..FJ40	GASKET, AIR HORN	21621-24030-	1	1	
8008-8309	2F..FJ40	GASKET, LEVEL GAGE	21622-61010-	1	1	
8008-8309	2F..FJ40	GASKET, DIAPHRAGM, CAP	21625-62200-	1	1	
8008-8309	2F..FJ40		21645-33080-	1	1	

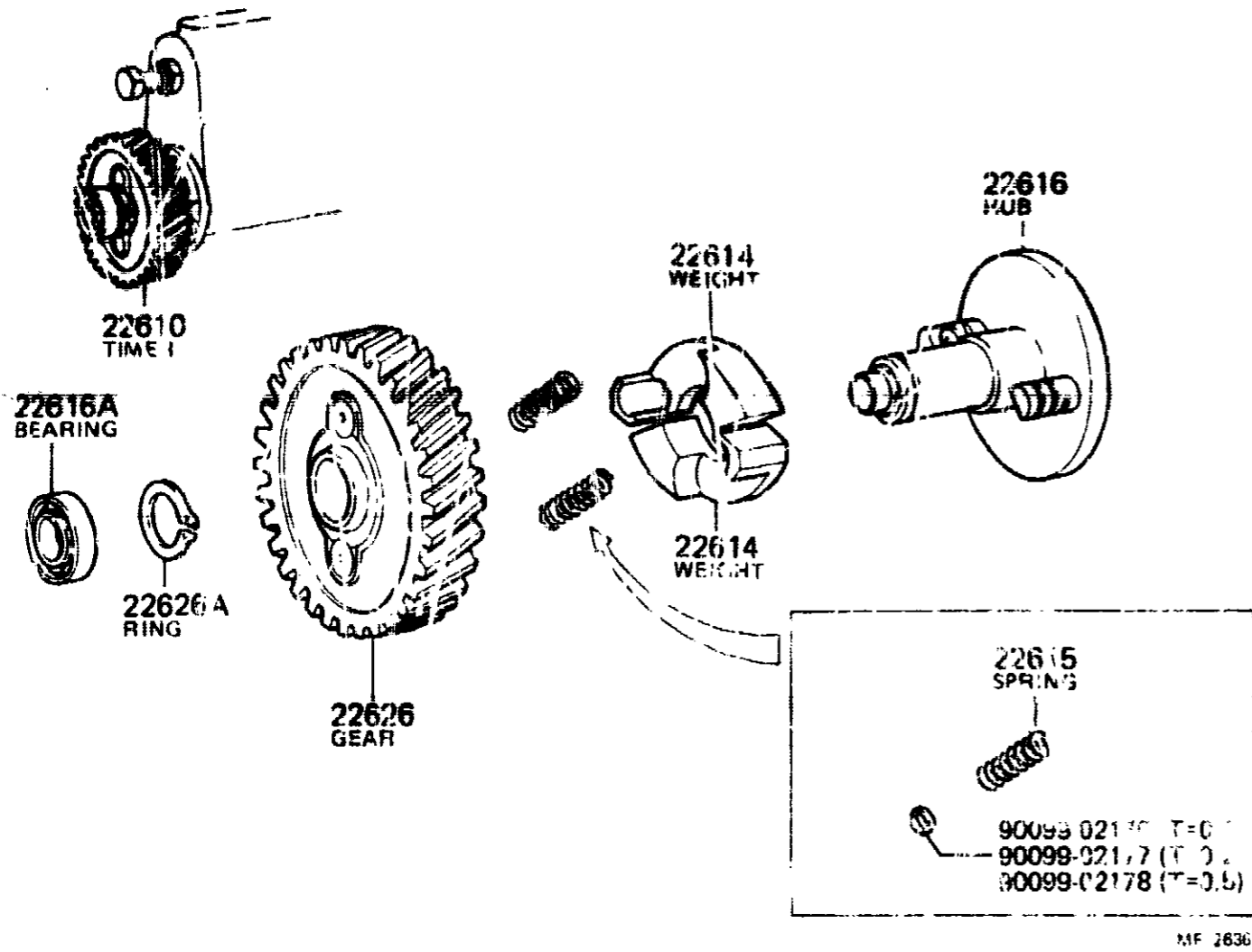
PROD. DATE	MODELS	DESCRIPTION	PART NUMBER	QTY	REV. REF. CODE	
					FROM	UP TO
8008-8309	2F..FJ40	GASKET, DIAPHRAGM HOUSING CAP	21647-33080-	1	1	
8008-8110	2F..FJ40..CND	DIAPHRAGM	21669-61011-	1	1	6
8008-8309	2F..FJ40	DIAPHRAGM	21669-61100-	1	1	
8008-8309	2F..FJ40	HOOT (FOR PUMP PLUNGER)	21699-61110-	1	1	
8008-8309	2F..FJ40	SPRING, PUMP DAMPING	21722-60000-	1	1	
8008-8110	2F..FJ40..CND	SPRING, IDLE ADJUSTING	21723-21030-	1	1	6
8008-8309	2F..FJ40..USA		21723-61140-	1	1	
8008-8110	2F..FJ40..CND	SPRING, THROTTLE ADJUSTING	21723-21030-	1	1	6
8008-8309	2F..FJ40..USA		21723-61140-	1	1	
8008-8110	2F..FJ40..CND	SPRING, 1ST IDLE ADJUSTING	21723-11041-	1	1	6
8008-8309	2F..FJ40..USA		21724-61140-	1	1	
8008-8309	2F..FJ40	SPRING, POWER PISTON	21734-21030-	1	1	
8008-8309	2F..FJ40	SPRING, PUMP ARM	21735-44010-	1	1	
8008-8309	2F..FJ40	SPRING, CHOKE VALVE RELIEF	21738-60070-	1	1	
8008-8309	2F..FJ40	UNION, NIPPLE	21844-61020-	1	1	

FIG-22-07 AUTOMATIC TIMER

1-03

GENUINE TOYOTA PARTS

(8008- 3B



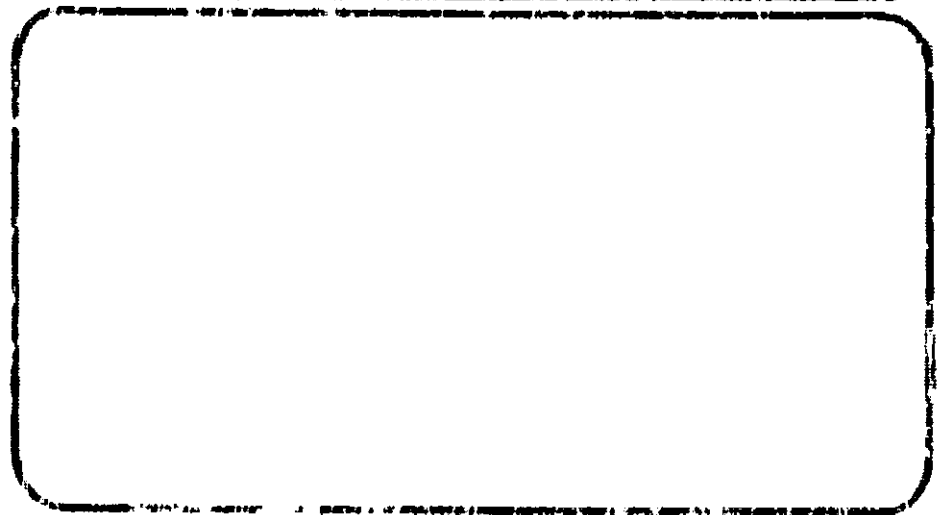
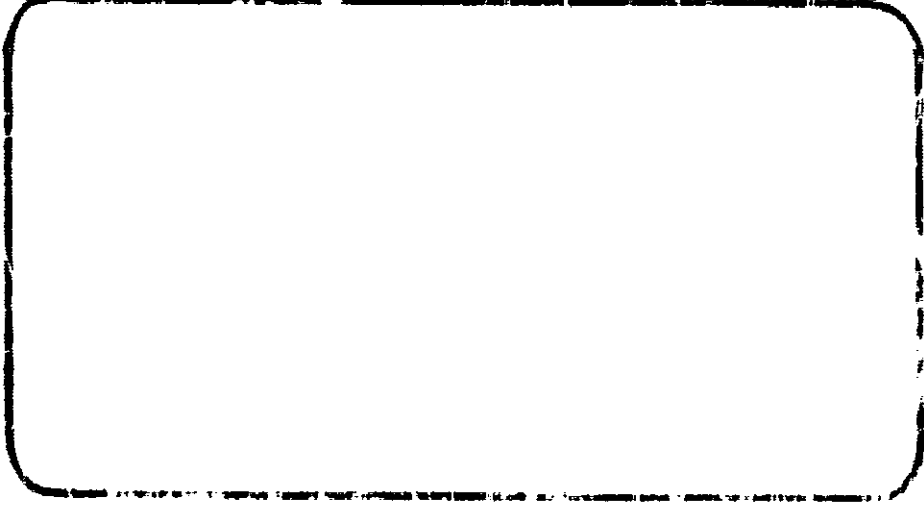
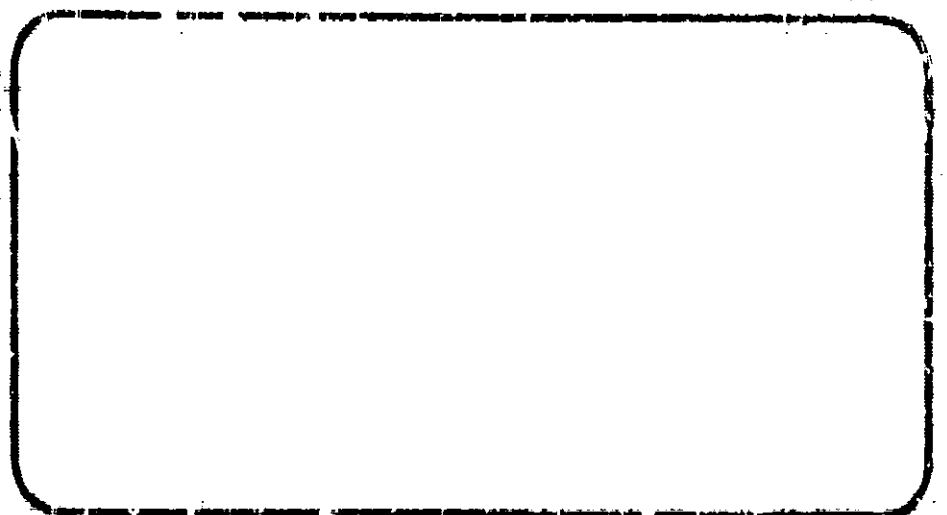
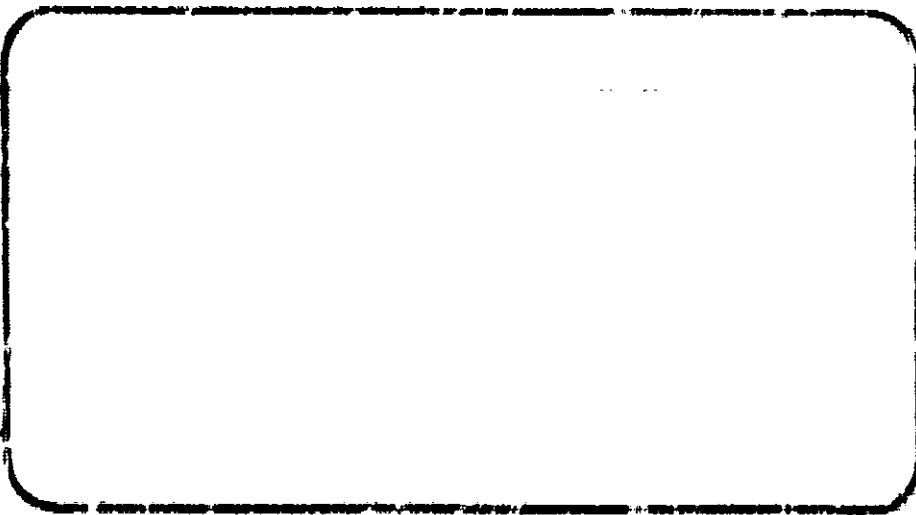
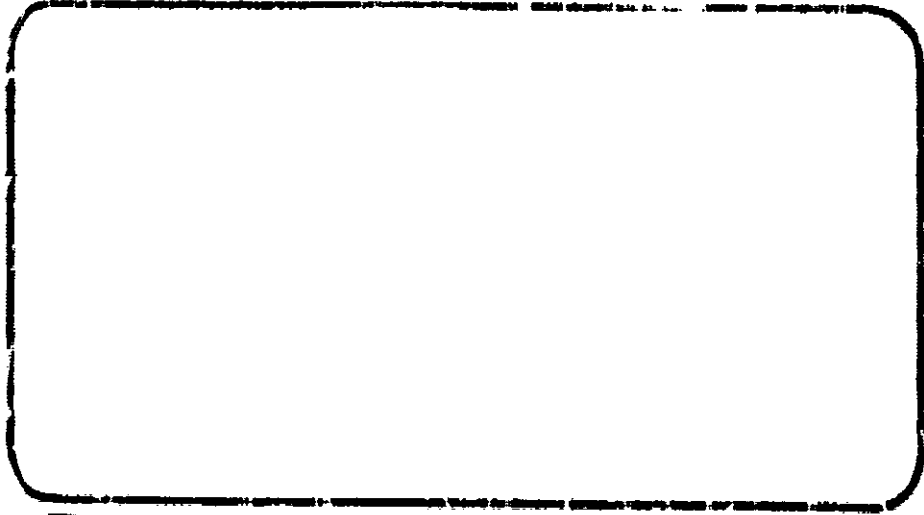
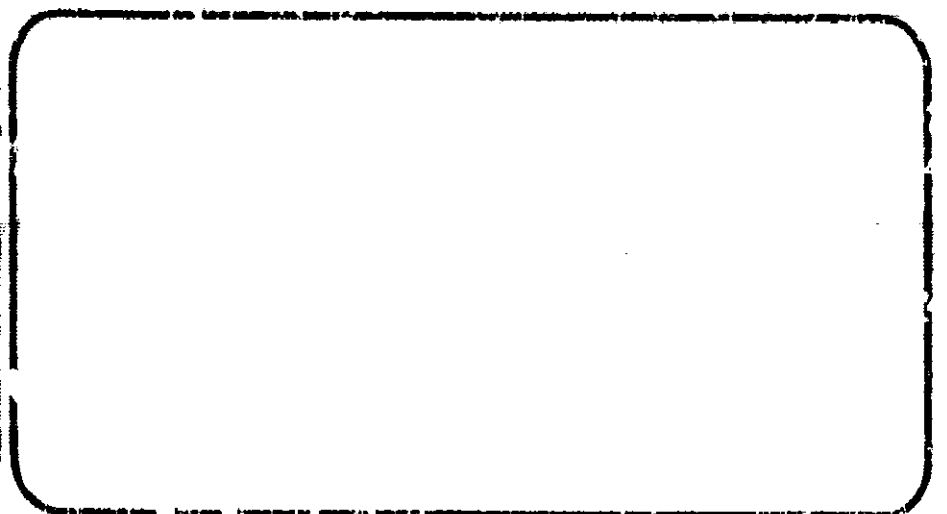
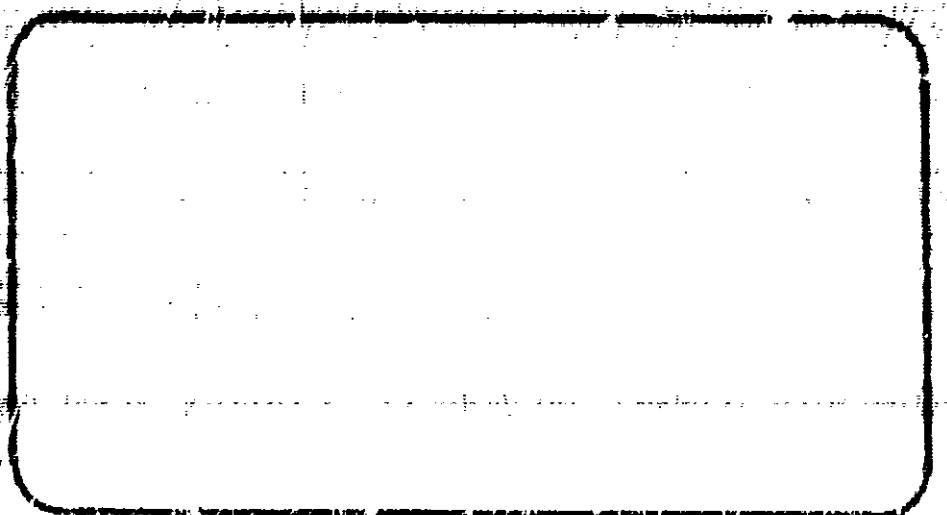
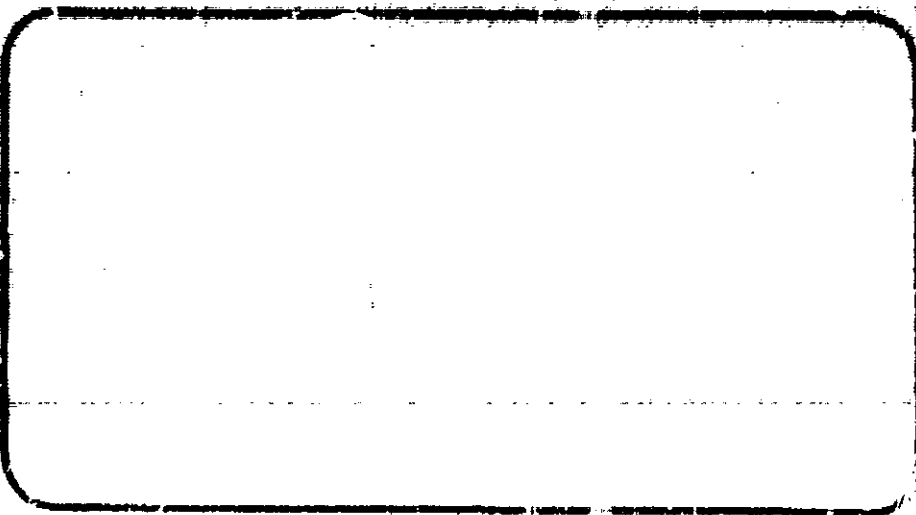
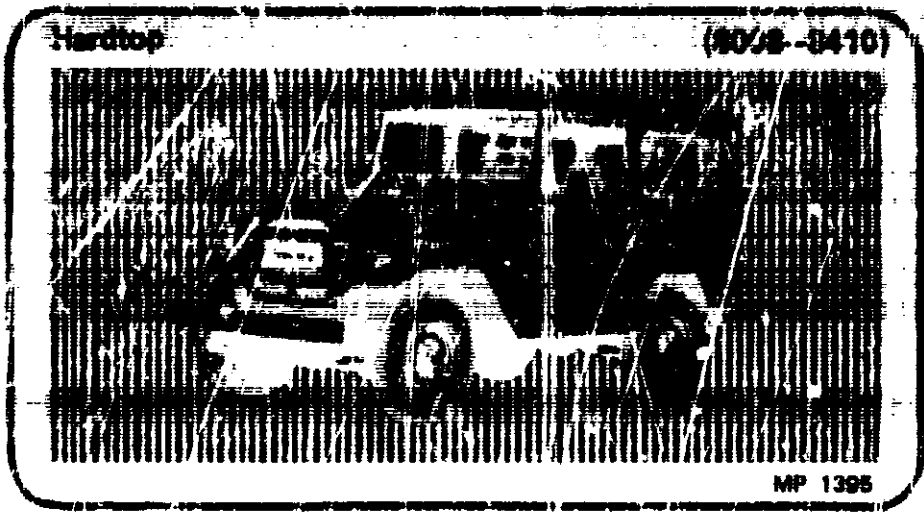
P.C.D. DAY	MODELS	DESCRIPTION	PART NUMBER	REV. REF. CODE	
				FROM	UP TO
FIG.	22-07	AUTOMATIC TIMER			
	1	22610	TIMER ASSY, AUTOMATIC		
8008-8408	3B..BJ42		22610-56040-	1	1
8408-8410	3B..BJ42		22610-56050-	1	80
	1	22614	WEIGHT, TIMER		
8008-8410	3B..BJ42		22614-56020-	2	1 80
	1	22615	SPRING, TIMER		
8008-8410	3B..BJ42		22615-56040-	2	1 80
	1	22616	HUB, TIMER		
8008-8410	3B..BJ42		22616-56030-	1	1 80
	1	22616A	BEARING (FOR TIMER HUB)		
8008-8410	3B..BJ42		90099-10013-	1	1 80
	1	22626	CLAMP, DRIVE		
8008-8408	3B..BJ42		22626-56030-	1	1
8408-8410	3B..BJ42		22626-56050-	1	80
	1	22626A	RING, CLAMP (FOR DRIVE GEAR)		
8008-8410	3B..BJ42		90096-90001-	1	80

PART NUMBER	LOCATION	PART NUMBER	LOCATION	PART NUMBER	LOCATION	PART NUMBER	LOCATION	PART NUMBER	LOCATION
19121-27020-	1-L5	21618-46010-	1-C7	22174-47110-	1-I7	22526-77020-	1-F8	23641-46010-	1-F7
-41100-	1-L5	21622-61010-	1-C7	22175-56041-	1-I7	23642-46010-	1-F7	26132-56011-	1-K8
19122-45010-	1-L5	21633-24030-	1-C7	-56142-	1-I7	23643-46010-	1-F7	26171-56020-	1-K8
-68162-	1-L5	21641-38310-	1-C7	22178-56011-	1-L7	22528-77020-	1-B8	23647-46010-	1-F7
19127-41141-	1-L5	21645-35080-	1-C7	22181-56040-	1-L7	23648-46010-	1-F7	27020-56170-	1-M6
-52020-	1-L5	21647-35080-	1-C7	22182-47010-	1-I7	23649-46010-	1-F7	-56290-	1-B6
19144-61091-	1-L5	-38010-	1-I7	22183-47010-	1-I7	23651-46010-	1-F7	-57101-	1-B6
19151-61110-	1-L5	21655-64111-	1-C7	22184-47010-	1-I7	23652-46010-	1-F7	-61071-	1-B6
19152-45010-	1-L5	-60210-	1-C7	22185-46010-	1-I7	23654-46010-	1-F7	-61100-	1-B6
19153-61051-	1-L5	21649-81011-	1-C7	22186-46010-	1-I7	23701-56030-	1-G7	27036-57100-	1-B6
-61102-	1-L5	-81000-	1-C7	-46010-	1-I7	22615-56040-	1-C8	27039-15010-	1-B6
19154-61091-	1-L5	21673-38020-	1-L6	22187-46010-	1-I7	22616-56030-	1-C8	27062-45050-	1-B6
-61102-	1-L5	-61140-	1-B7	22188-46010-	1-I7	22626-56030-	1-C8	27212-39050-	1-B6
19169-32010-	1-L5	21691-46010-	1-C7	22189-46010-	1-I7	-56050-	1-C8	27310-15030-	1-B6
19181-61091-	1-L5	21722-60200-	1-C7	-43031-	1-I7	22680-46061-	1-L7	-38061-	1-B6
-70010-	1-L5	21723-1061-	1-C7	-44032-	1-I7	-48062-	1-I7	-45110-	1-B6
						22686-46061-	1-M7	-56021-	1-F7
								-56027-	1-F7
19195-61100-	1-L5	-21030-	1-C7	-43033-	1-I7	22692-56040-	1-M7	23710-56030-	1-F7
19220-61091-	1-L5	-61140-	1-C7	-43034-	1-I7	-56041-	1-M7	-56050-	1-F7
-61102-	1-M5	21724-61140-	1-C7	-18035-	1-I7	22693-77130-	1-M7	23801-56040-	1-G7
19242-61091-	1-M5	21734-21030-	1-C7	-43036-	1-I7	22694-77130-	1-M7	-56060-	1-G7
-61100-	1-M5	21735-46010-	1-C7	22190-56042-	1-M7	22697-56040-	1-M7	23807-56040-	1-G7
-61102-	1-M5	21738-60070-	1-C7	22195-80030-	1-I7	-56041-	1-M7	23811-1032-	1-K6
19251-61100-	1-M5	21756-61010-	1-D7	22197-7140-	1-M7	22699-77130-	1-M7	23820-41070-	1-K6
-61102-	1-M5	21763-38010-	1-D7	22303-7010-	1-L7	-77131-	1-M7	23841-61021-	1-K6
19259-38030-	1-L5	21781-30020-	1-D7	22300-6130-	1-L7	22699-56130-	1-M7	23842-61031-	1-K6
19260-68040-	1-L5	21791-60010-	1-D7	22311-7130-	1-L7	22703-77140-	1-M7	23906-56010-	3-F6
-68060-	1-L5	21826-24410-	1-D7	22318-8030-	1-L7	22811-56010-	1-G7	-45090-	1-C6
19271-56020-	1-L5	21832-33010-	1-D7	22319-7010-	1-L7	-56011-	1-G7	-56050-	1-C6
19280-40010-	1-M5	21834-31140-	1-D7	22320-80030-	1-L7	23100-61050-	1-D8	-61051-	1-G8
21021-1010-	1-B7	21842-33010-	1-D7	22323-3010-	1-L7	23300-38010-	1-F8	23930-57011-	1-G8
21054-61020-	1-C7	21864-26020-	1-F7	-7010-	1-L7	-56040-	1-F8	23931-11010-	1-G8
-61140-	1-C7	21894-61020-	1-C7	22326-3010-	1-L7	23303-56031-	1-F8	25601-11040-	1-H8
								25602-11030-	1-H8
21062-1021-	1-D7	21912-61020-	1-L6	22329-77021-	1-L7	23311-56040-	1-F8	25616-1011-	1-H8
-1060-	1-L7	-61032-	1-L6	-77130-	1-L7	23312-56021-	1-F8	25620-11071-	1-H8
21100-61102-	1-L6	22100-58030-	1-G7	22333-56040-	1-L7	23319-46010-	1-F8	25628-11020-	1-H8
-61140-	1-L6	-58031-	1-G7	22354-77050-	1-J8	-48010-	1-F8	-11031-	1-H8
-61141-	1-L6	22102-77021-	1-H7		1-L7	23338-56016-	1-F8	25631-11050-	1-H8
21112-61112-	1-B7	22103-48030-	1-H7	22355-56010-	1-J8	23351-46010-	1-F8	25630-61030-	1-I7
-61140-	1-B7	22104-77020-	1-H7		1-L7	-56010-	1-F8	25709-61040-	1-G8
21165-61010-	1-B7	22105-58010-	1-H7	22361-76010-	1-L7	23353-46010-	1-F8	25710-61021-	1-C8
21191-61140-	1-B7	22106-66010-	1-H7	22362-76010-	1-L7	-57010-	1-F8	25713-61011-	1-C8
21192-61020-	1-D7	22114-48030-	1-H7	22363-76010-	1-L7	23600-56011-	1-E7	25870-11011-	1-I8
21205-61010-	1-B7	22115-77020-	1-H7	22364-76010-	1-L7	-64010-	1-E7	26100-53020-	1-J8
21209-33010-	1-B7	22116-46010-	1-H7	22374-76010-	1-L7	23611-56010-	1-E7	-38021-	1-J8
21271-61010-	1-B7	22131-77020-	1-H7	22408-68010-	1-L7	23619-46010-	1-E7	26112-58020-	1-J8
-61141-	1-B7	22142-77020-	1-H7	22442-77130-	1-L7	23620-54010-	1-E7	-58010-	1-J8
21272-61140-	1-B7	22147-77020-	1-H7	-77131-	1-L7	-68010-	1-E7	26112-56050-	1-J8
21273-30050-	1-B7	22144-46010-	1-I7	22449-68030-	1-M7	23624-47011-	1-E7	26113-56050-	1-J8
								-56020-	1-J8
-38010-	1-B7	22145-46010-	1-I7	22147-58010-	1-L7	-54020-	1-E7	-58021-	1-J8
-61140-	1-B7	22146-56010-	1-I7	22501-77021-	1-A8	23618-46010-	1-E7	-68012-	1-J8
21291-36320-	1-B7	22147-77020-	1-I7	22510-56040-	1-A8	23619-46010-	1-E7	27411-57060-	1-D6
21701-61023-	1-B7	22148-46010-	1-I7	22512-77020-	1-A8	23621-46010-	1-E7	-57061-	1-D6
-61050-	1-B7	22149-76010-	1-I7	22513-77020-	1-A8	23632-46010-	1-E7	-60032-	1-D6
21304-61060-	1-B7	22150-57010-	1-I7	22515-77021-	1-A8	23633-46010-	1-E7	27412-31040-	1-C6
21313-11020-	1-B7	22155-76010-	1-I7	22518-56010-	1-A8	23634-46010-	1-E7	-45070-	1-B6
21314-11020-	1-B7	22156-76010-	1-I7	-56211-	1-A8	23635-46010-	1-E7	-57040-	1-B6
21346-61140-	1-B7	22157-58023-	1-I7	-56012-	1-A8	23636-46010-	1-E7	-57060-	1-C6
21351-34030-	1-B7	22161-76010-	1-I7	-56013-	1-A8	23637-46010-	1-E7	27441-34030-	1-D6
21355-61020-	1-C7	22162-76010-	1-I7	-77020-	1-A8	23638-46010-	1-E7	-21100-	1-D6
21392-61020-	1-C7	22165-76010-	1-I7	22519-48010-	1-A8	23639-46010-	1-E7	-57040-	1-D6
21538-31010-	1-C7	22164-76010-	1-I7	22521-11021-	1-A8	23640-46010-	1-E7	-56090-	1-D6
21611-22010-	1-C7	22165-76010-	1-I7	22522-77020-	1-B8	23641-46010-	1-E7	27700-13060-	3-E8
21614-60200-	1-C7	22166-76010-	1-I7	22524-77021-	1-B8	23642-46010-	1-E7	-38100-	3-E8
21617-30010-	1-C7	22173-46010-	1-I7	22525-77020-	1-B8	23643-46010-	1-E7	-57030-	3-E8

I. MODELS COVERED & CHARACTERISTICS  
Vehicle Appearance

C15

Hardtop  
TOYOTA LAND CRUISER Hardtop (Production from Aug., '80 up to Oct., '84)





# MARK & ABBREVIATION LIST

C16

Mark	Definition	Mark	Definition
PTO	Power Take-off	TOYO	Toyo Rubber Industrial Company Limited
PV	Proportional Valve	TOYOTA	Toyota Motor Corporation
R	Ratio	TP	Vinyl Sulfon (Tarpaulin)
RB	With Rib bar	TPS	Vinyl Sulfon (Tarpaulin) Standard type
RCB	Regular Cab	TR	Truck (Pickup)
REP	Repair	TSV	Thermostatic Vacuum Switching Valve
RH	Right hand	TVV	Thermostatic Vacuum Transmitting Valve
RHD	Right-hand Drive	UPP	Upper
RP	Rear	US	U.S.
S	Screw Length (mm)	USA	By the United States of America (except)
SD	Swing Door	V	Vacuum Control Valve
SDX	Super Exhaust type	VCV	Van Hardtop, with swing type back door
SED	Sedan	VK	Vinyl Leatherette
SL	SL type	VLC	Van (Hardtop), with lift up and swing out back door
SM-SP	Semi Seats, 2 Seat	VLS	Van (Hardtop), with lift up and swing out back door
SMG	Speedometer Gear	VSV	Vacuum Switching Valve
SP	Separate Seat	VTV	Vacuum Transmitting Valve
SP-B	Split Bench Seat	W	Watts
SPEC	Specification	WV	Wheel Cylinder
SPL	Special type	WD	Wire Diameter (mm)
SPLI	Supra (CELICA Supra)	WG	Station Wagon
SP	SP type	WGV	Station Wagon (V)
S/S	S/S type	WGT	Station Wagon (G)
S/S	Standard type	W/O	Without
SSV	Super Buff Vinyl Leather	WPB	With Passive Bolt
ST	ST type	WSW	White Side Wall Tire
STD	Standard type	W/T	With Tube
STRG	Steering	WTR	Xtra Cab
SUMITOMO	Sumitomo Electric Industrial Company Limited	YAZAKI	Yazaki Corporation
SW	Switch	YOKOHAMA	The Yokohama Rubber Company Limited
T	Thickness (mm)	YUASA	Yuasa Battery Company Limited
T	Truck (Pickup, low loader) (side open)		
TAKATA	Takata Corporation		
TANAKA	Tanaka Instrument Company Limited (T.M.C.)		
TEH	Tehtsu Ten Company Limited		
TG	Tubeless		
TMC	TOYOTA MOTOR CORPORATION		
TOKAIRIKA	Tokai Rika Company Limited (T.R.C.)		
TOKIKO	Tokiko Company Limited		
TOSHIBA	Tokyo Shibaura Electric Company Limited		

### (2) Abbreviations Under Heading "R P and QTY" in Text

Heading	Mark	Definition
R-P	0	Old parts number (Old)
	1	Modified old parts number which has been substituted by a new one of part and/or if substituted parts are specified by applicable model's or other determining specifications, refer to SUBSTITUTE SUPPLY PARTS (SPL) for detailed information. Old
QTY	0	New main part number of set substitution (New)
	1	Part number to be attached to main part (New)
QTY	03	Required quantity

### (3) CHANGES TO TEXT & APPENDICES

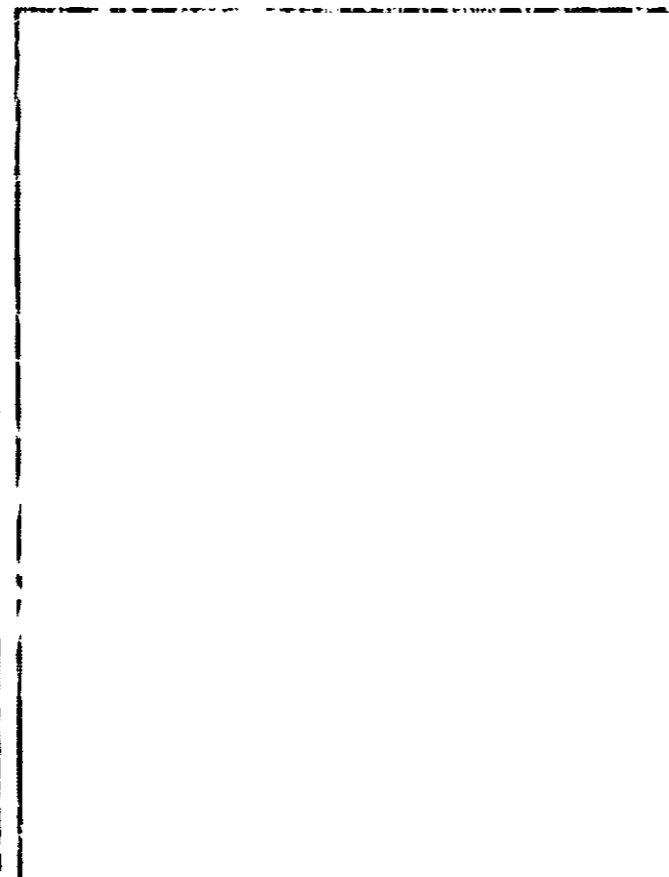
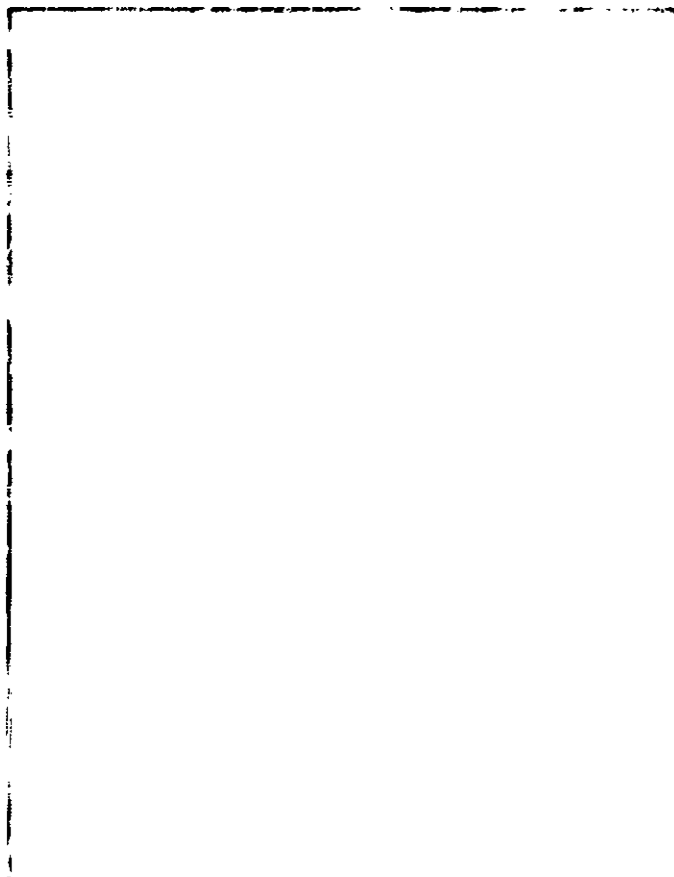
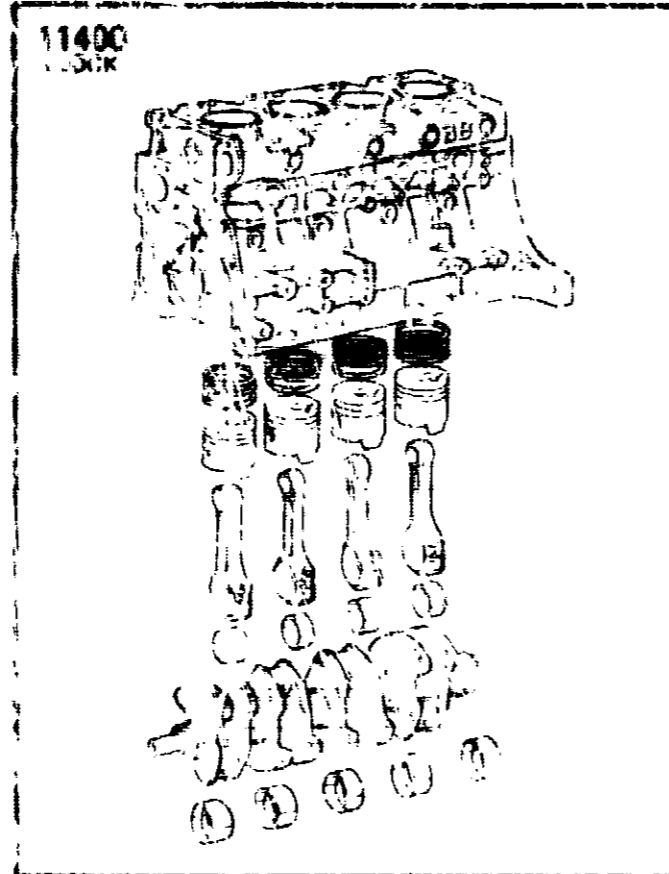
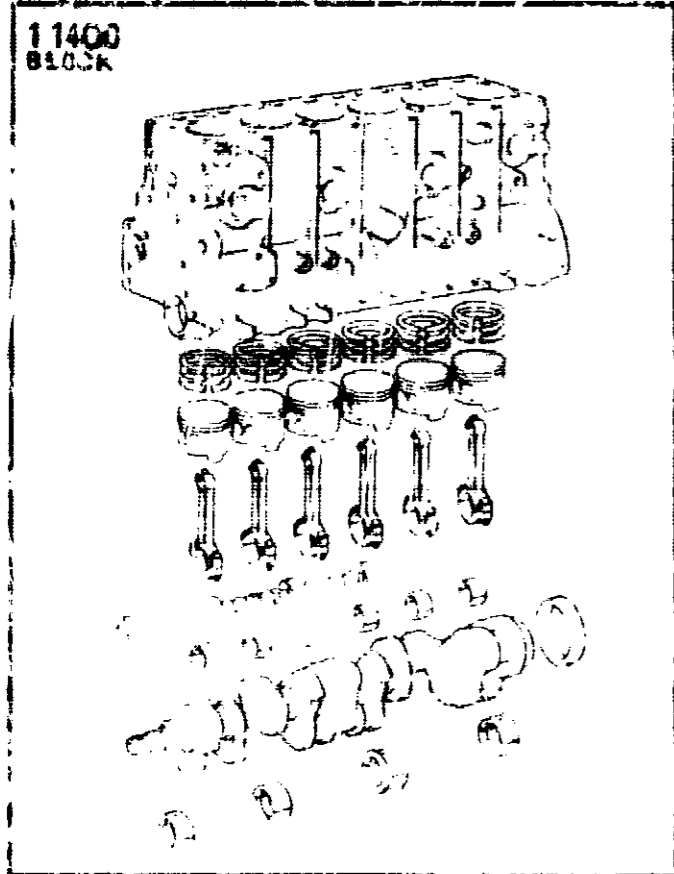
Certain codes are used to indicate changes to the text and/or appendices. These codes appear in the marginal area of the affected page as follows:

CODE	LOCATION	EXPLANATION
C	Text	Changes of Parts Number, Model and Production Date
N	Appendix Text & Appendix	Newly available Toyota Part Number
S	Appendix Text & Appendix	Part application expanded to include other vehicle models

( 8008- )

2F ( -8309)

3B



MA 477-A

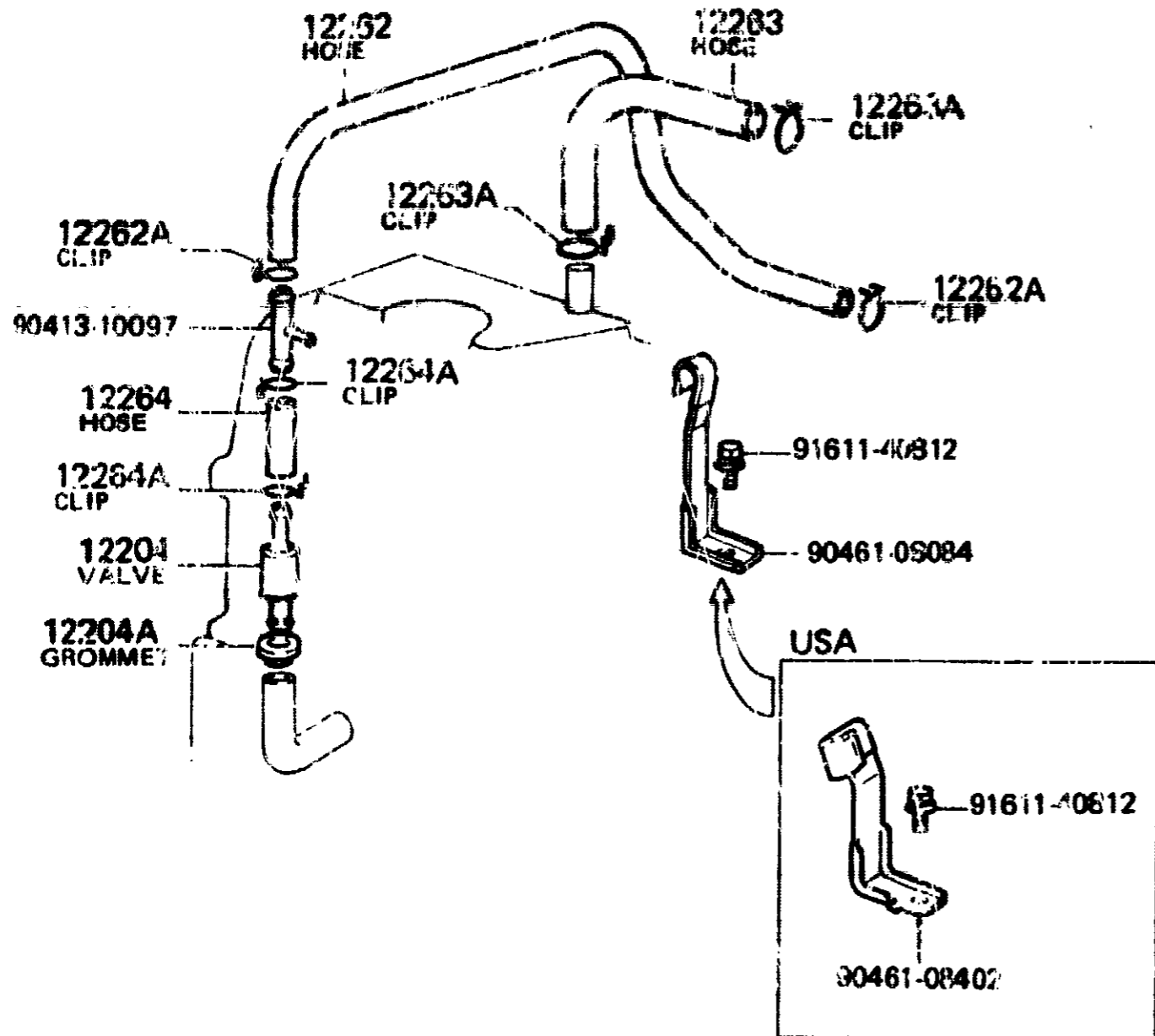
PROG. DATE	MODEL	DESCRIPTION	PART NUMBER	QTY	REV. REF. CODE	
					FROM	UP TO
FIG. 1-02	SHORT BLOCK ASSEMBLY					
		1 11400 BLOCK ASSY, SHORT				
8008-8309	2F..F.110		11400-61011-	1	1	
8008-8201	3B..B.142		11400-58010-	1	1	30
8201-8209	3B..B.142		11400-58011- (11400-58012-	1	31	
8209-8408	3B..B.142		11400-58012-	1		94
8408-8410	3B..B.142		11400-58040-	1	95	80

FIG. 12-01 VENTILATION HOSE

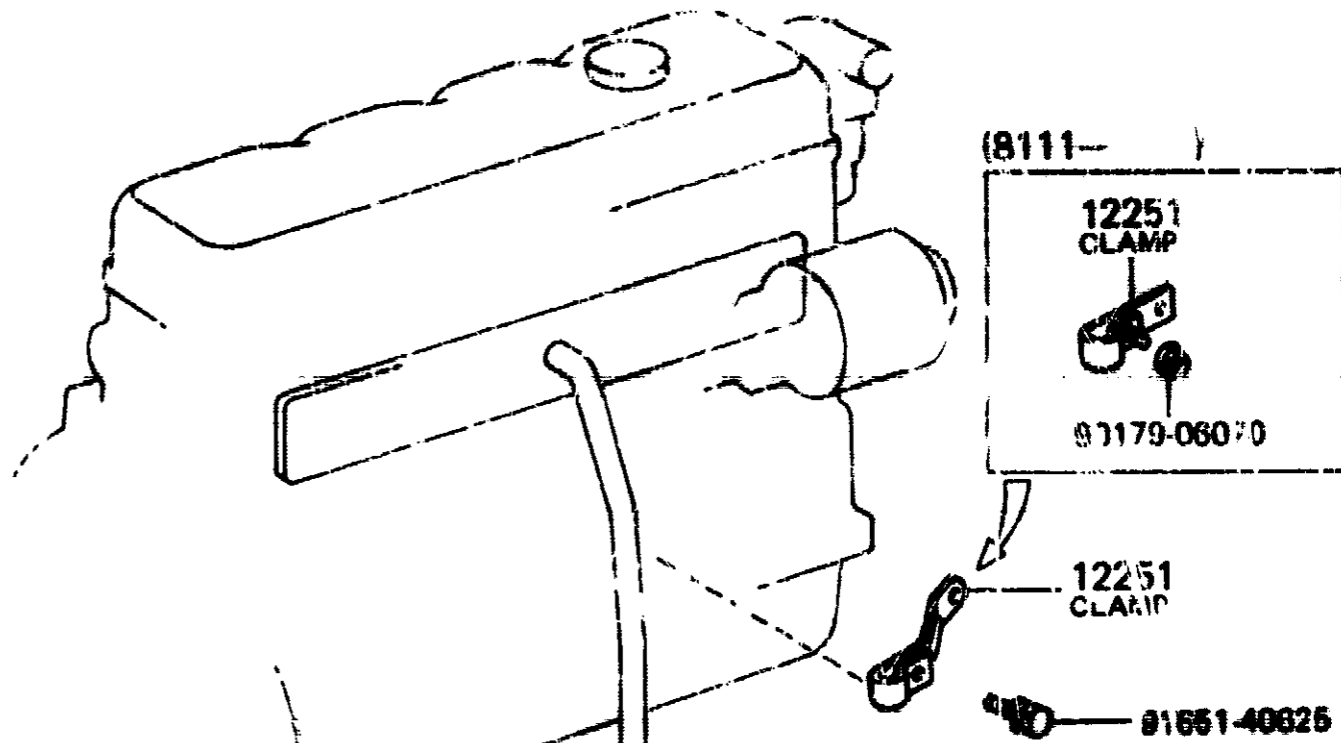
1-12

(8008-8309)2F

18008- 13B



MA 4792-A



MA 4891-C



MA4792A

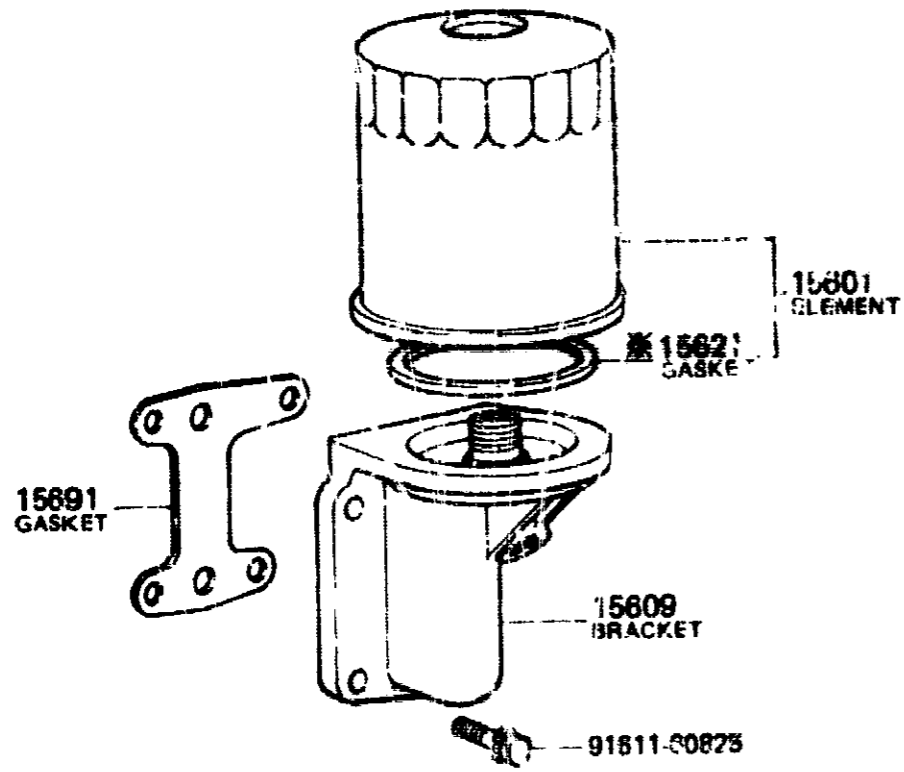
MA4891C 174-11-007

FIG. 15-02 OIL FILTER

1-D3

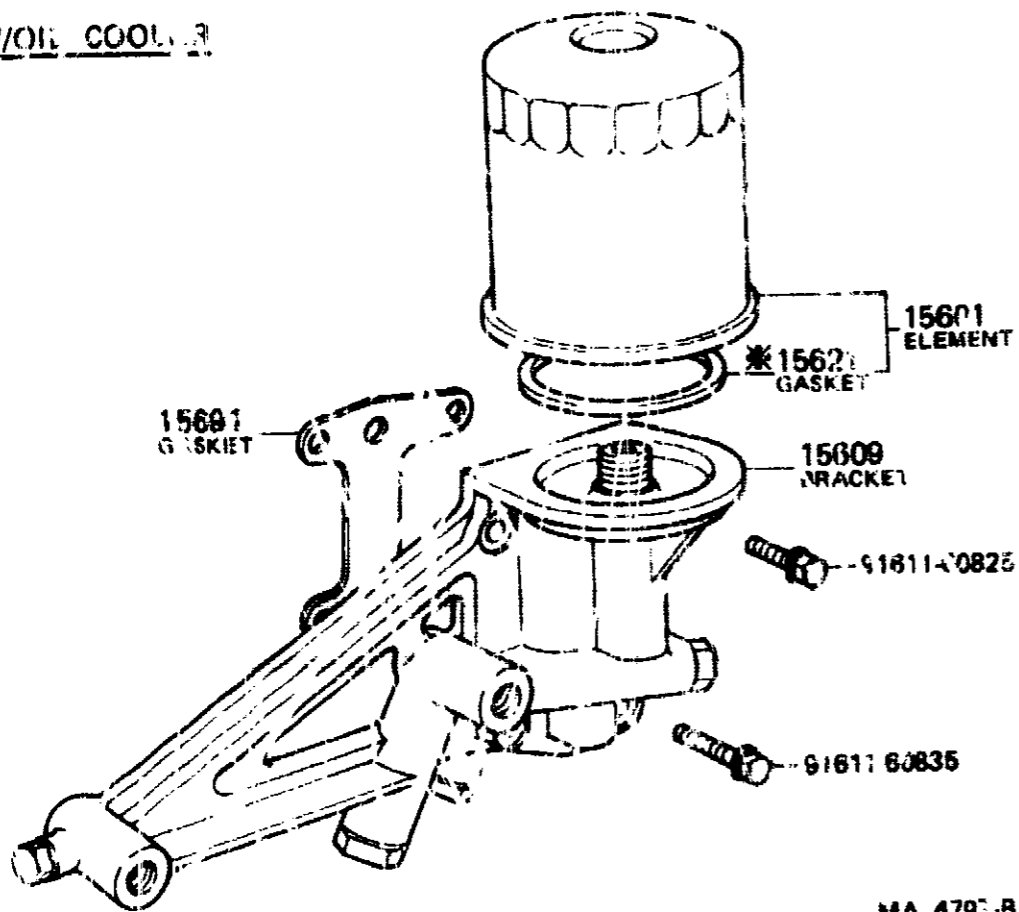
(8008-8309) 2F

(8008- 13B

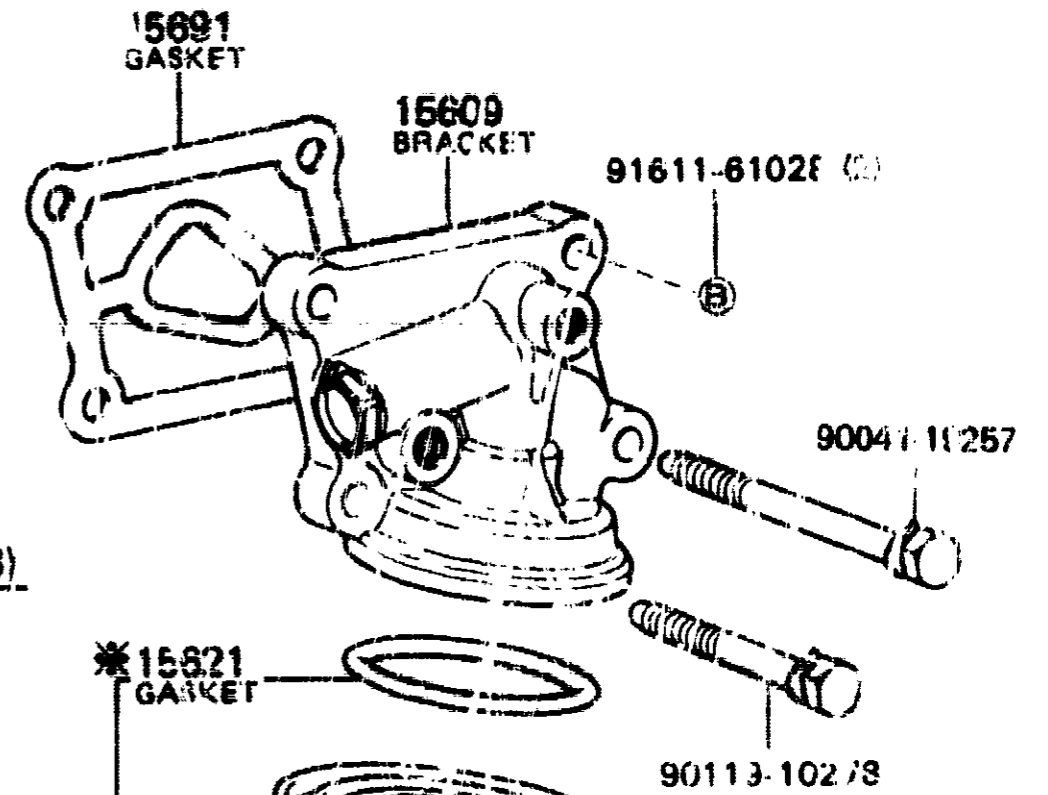


\*( -8208)

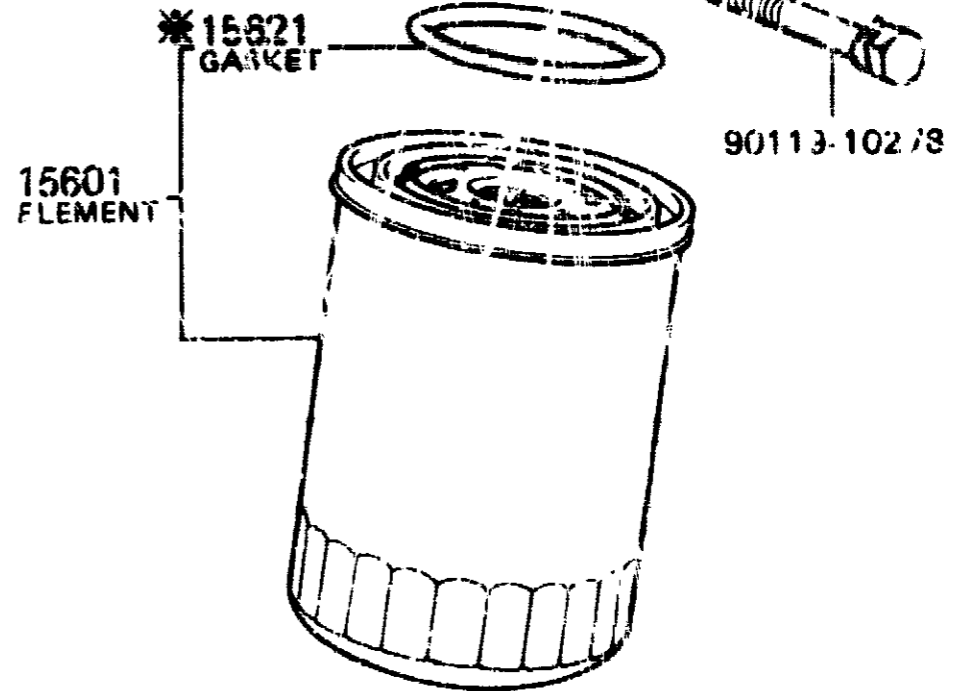
W/OIL COOLER



MA 478-B



\*( -8208)



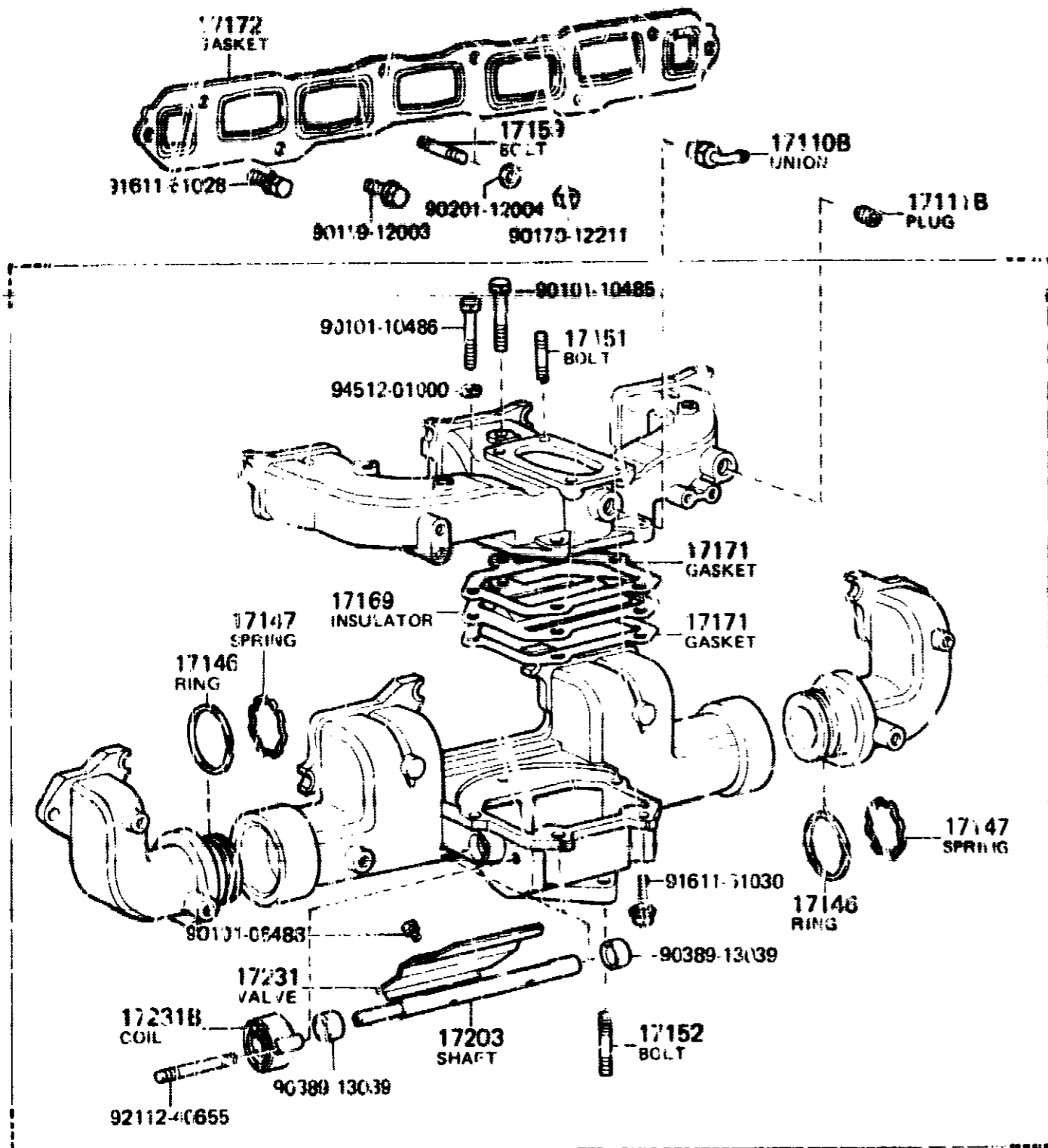
MA 483-D

FIG. 17-01 MANIFOLD

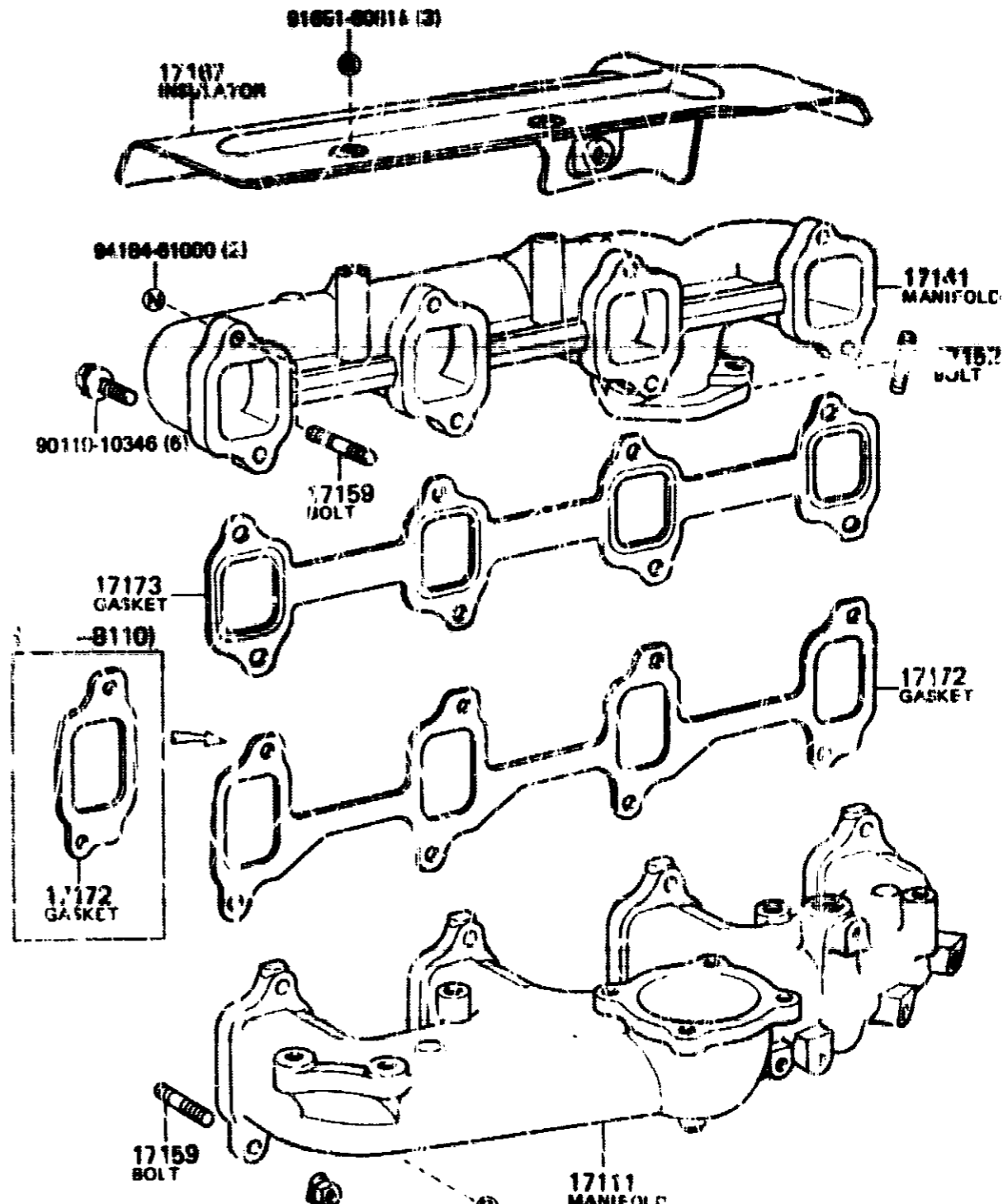
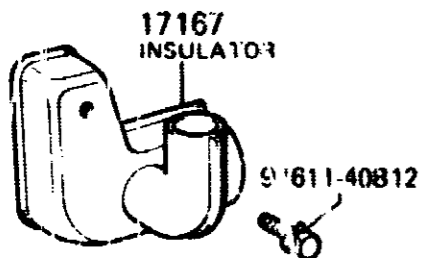
1-D4

(3008-8110)ZF..CND

(8003- 13B



17110  
MANIFOLD



※ (8204)  
※ (8204-8408)  
※ (8408- )

※ 1 90179-08123 (1)  
※ 2 90179-08123 (3)  
※ 3 90179-08123 (5)  
※ 2 91611-01925 (5)  
※ 3 91611-01925 (3)  
※ 3

MA 8226

MA 1815

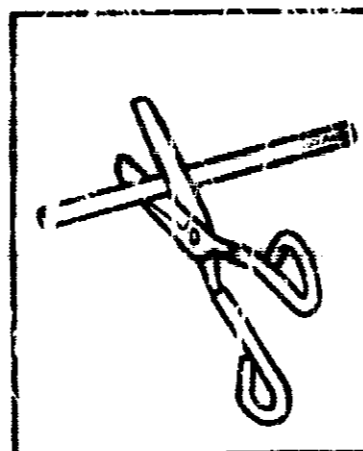
MA4815

MA6224 MA11-0077

(2008-8309)2F

Based on the serial number established per hose type, they are supplied in the following lengths:

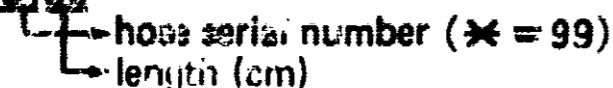
- less than 300mm - 300mm
- greater than 301mm but less than 600mm - 600mm
- greater than 601mm but less than 950mm - 950mm



Cut appropriate hose to exact specifications.

(Part Number Composition)

95411 - 10130



ex.

95411 - 10130...part number

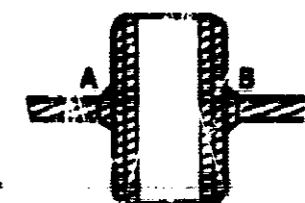
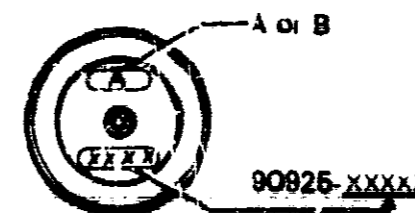
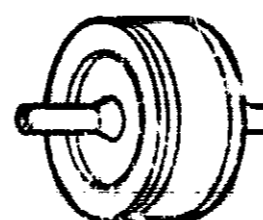
(L=220) ...exact specification (mm)

AAP	Auxiliary Acceleration Pump		
ABV	Air By-pass Valve	VCV	Vacuum Control Valve
ASV	Air Switching Valve	TP	Throttle Positioner
Carb.	Carburetor	Th. O	Throttle Opener
Ch. B	Choke Braker	S/W	Switch
Ch. O	Choke Opener		
Dist.	Distributor		
HIC	Hot Idle Compensator		
VSV	Vacuum Switching Valve		

90413-04 1015	90414-04001	90414-04'02		
90464-00074	90464-00081	90464-00082		

VTV Identification Chart

VTV External Appearance



Volume and Color

Volume (cc/min)	25	50	100	140	200	400	800	1600
COLOR	RED	GREEN	YELLOW	WHITE	DARK BLUE	BROWN	GRAY	PURPLE

Volume (cc/min)	COLOR			PART NUMBER
	A	BODY	B	
25	Red	Black	Black	90925-01008
50	Green	White	"	" -01029
70	"	"	"	" -01031
100	Yellow	Black	"	" -01005
"	"	White	"	" -01027
"	"	"	"	" -01032
140	White	"	"	" -01018
200	Dark Blue	"	"	" -01021
400	Brown	Black	"	" -01009
800	Gray	White	"	" -01041
1600	Purple	"	"	" -01015
100-800	Yellow	Black	Gray	90925-01024
140-340	White	Green	Dark Blue	" -01042
200-800	Dark Blue	Black	Gray	" -01026
400-800	Brown	"	"	" -01023

FIG. 19-03

GENUINE TOYOTA PARTS

1-D8

GENUINE TOYOTA PARTS

PROD. DATE	MODELS	DESCRIPTION	PART NUMBER	QTY	REV. REF. CODE		PROD. DATE	MODELS	DESCRIPTION	PART NUMBER	QTY	REV. REF. CODE	
					FROM	UP TO						FROM	UP TO
		27371 BRUSH, ALTERNATOR											
8008-8309	2F..FJ40	12V 55A	27371-31011-	2	1								
8008-8309	2F..FJ40..USA	12V 40A		2	1								
8008-8410	3B..BJ42	24V 20A	27371-56070-	2	1	80							
		27372 SPRING, ALTERNATOR BRUSH											
8008-8309	2F..FJ40	12V 55A	27372-31011-	2	1								
8008-8309	2F..FJ40..USA	12V 40A		2	1								
8008-8410	3B..BJ42	24V 20A	27372-56070-	2	1	80							
		27410 STATOR ASSY, ALTERNATOR											
8008-8309	2F..FJ40	12V 55A	27410-41080-	1	1								
8008-8309	2F..FJ40..USA	12V 40A	27410-15030-	1	1								
8008-8410	3B..BJ42	24V 20A	27410-54030- (27410-57020-)	1		80							
		27411 PULLEY, ALTERNATOR											
8008-8309	2F..FJ40	12V 55A	27411-60032-	1	1								
8008-8309	2F..FJ40..USA	12V 40A		1	1								
8008-8204	3B..BJ42	24V 20A	27411-57061-	1	1								
8204-8410	3B..BJ42	24V 20A	27411-57060-	1		80							
		27441 FAN, ALTERNATOR											
8008-8309	2F..FJ40	12V 55A	27441-45110-	1	1								
8008-8309	2F..FJ40..USA	12V 40A	27441-34030-	1	1								
8008-8204	3B..BJ42	24V 20A	27441-56040-	1	1								
8204-8410	3B..BJ42	24V 20A	27441-56090-	1		80							

FIG. 21-03

GENUINE TOYOTA PARTS

1-D

GENUINE TOYOTA PARTS

PROD. DATE	MODEL S	DESCRIPTION	PART NUMBER	QTY	M.F. REF. CODE		PROD. DATE	MODEL S	DESCRIPTION	PART NUMBER	QTY	RET. REF. CODE	
					FROM	UP TO						FROM	UP TO
8008-8309		SPRING, BACK (FOR THROTTLE SHAFT)	21756-61010-	1									
8008-8309		PIV. FLOAT LEVER	21763-38010-	1									
8008-8309		PLUG, MAIN PASSAGE (FOR CARBURETOR JET)	21781-30020-	2									
8008-8309		RING, SNAP, NO. 1 (FOR CARBURETOR LINK)	21791-60010-	9									
8008-8309		SCREW, PUMP AIR SET	21826-24410-	1									
8008-8309		SCREW, POWER PISTON STOP	21842-33010-	2									
8008-8309		SCREW (FOR CHOKE LEVER ADAPTOR SET)	21832-33010-	3									
8008-8309		SCREW, SET, NO. 2 (FOR CARBURETOR BODY SET)	21834-31140-	1									
8008-8309		SCREW, SET (FOR CARBURETOR LEVEL GAGE CLAMP SET)	21842-33010-	2									
8008-8110		SOLENOID, THROTTLE VALVE	21062-61021-	1		6							
8008-8309			21062-61060-	1									
8008-8309		RING, O (FOR SOLENOID VALVE)	21655-44101-	1									
8008-8309		GASKET, SOLENOID VALVE	21549-38010-	1									

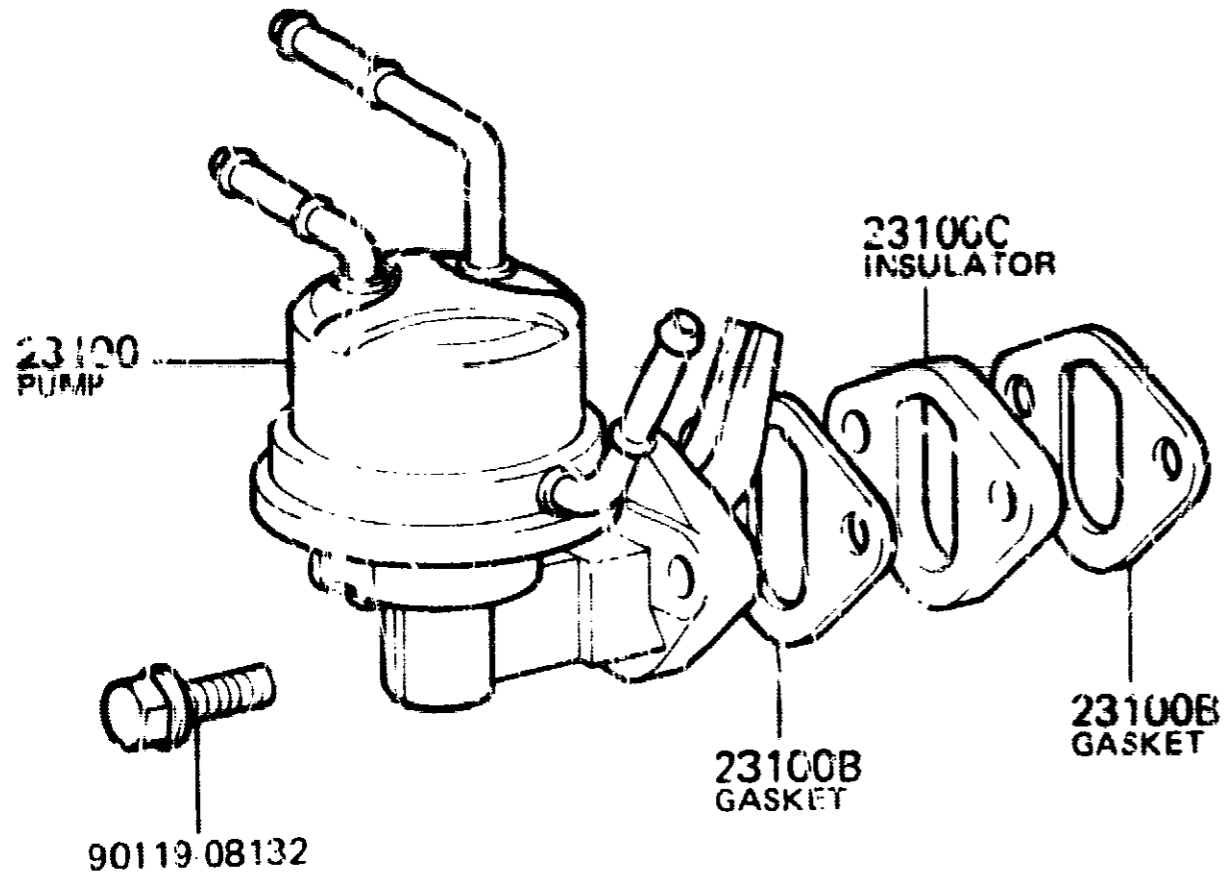


FIG. 23-01 FUEL PUMP

1-D8

GENUINE TOYOTA PARTS

(8008-8309)2F



MF 2528

PROD. DATE	MODELS	DESCRIPTION	PART NUMBER	REV. REF. CODE	
				FROM	UP TO
FIG.	23-01 FUEL PUMP				
	1 23100	PUMP ASSY. FUEL			
8008-8309	2F..FJ40		23100-61050-	1	1
	1 23100B	GASKET, FUEL PUMP			
8008-8309	2F..FJ40		90923-75005-	2	1
	1 23100C	INSULATOR, FUEL PUMP			
8008-8309	2F..FJ40		90923-06001-	1	1

PART NUMBER	LOCATION	PART NUMBER	LOCATION	PART NUMBER	LOCATION	PART NUMBER	LOCATION	PART NUMBER	LOCATION	PART NUMBER	LOCATION
28011-26042	1-F6	28550-57020	3-E8	31321-36010	2-D1	33222-60010	2-G2	33541-60081	2-J2	36327-60040	2-E3
-54010	1-F6	28571-58130	3-E8	31402-35010	2-L6	33241-60040	2-G2	-60160	2-J2	36337-60040	2-D3
-60040	1-F6	28579-56030	3-E8	31410-60060	2-E1	-60050	2-G2	33549-60010	2-F3	-60060	2-D3
28100-56070	-F3	28590-57020	3-E8	31416-20010	2-E1	33242-60030	2-G2	-60020	2-J2	36340-60050	2-E3
-60042	-F6	28610-46040	3-E8	31416-35010	1-E1	-60030	2-G2	33553-60010	2-J2	-60060	2-E3
-60062	1-F6	-46041	3-E8	31416-30030	1-E1	-60071	2-G2	33554-60010	2-J2	36341-50030	2-E3
-60070	1-F6	-54180	3-E8	31416-30011	1-E1	33244-60010	2-G2	-60021	2-J2	60031	2-E3
28110-60042	1-F6	-57050	3-E8	31414-30030	1-E1	33245-60010	2-G2	33555-55011	2-J2	-60032	2-E3
-60070	1-F6	28611-54911	3-E8	31414-30050	2-G1	33245-60031	2-G2	33555-55011	2-J2	36343-60020	2-E3
28111-46011	1-A4	28621-57010	3-E8	-60081	2-G1	33246-60021	2-G2	33710-30111	1-E3	36362-60011	2-E3
-51011	1-F6	-57011	3-E8	-60110	2-G1	-60040	2-G2	36101-60052	1-H2	36726-60010	2-C3
28113-41011	1-F6	28624-57010	3-E8	31473-30020	2-G1	33251-60030	2-G2	36103-60010	-L2	-60020	2-C3
28114-41011	1-F6	28631-57010	3-E8	-60061	2-G1	33272-60011	2-J2	-60011	1-L2	37110-60260	2-G3
28115-53080	1-F6	28800-46012	3-G7	-60090	2-G1	33280-60010	2-H2	36110-60160	1-H2	-60280	2-F3
28117-41020	1-F6	-61010	3-G7	31474-30020	2-G1	33306-35016	2-B2	-60161	2-H2	-60281	2-F3
28118-77090	-F6	28897-38010	3-G7	31475-60020	2-G1	-35020	2-B2	-60161	2-H2	37140-60090	2-G3
28119-77090	1-G6	29300-56070	1-J6	31476-60010	2-G1	33309-60010	2-L2	-60270	2-H2	-60150	2-G3
28120-26070	1-G6	-57011	1-J6	-60031	2-G1	-60020	2-L2	-60271	2-H2	-60151	2-G3
-42020	1-G6	29311-76010	1-J6	-60060	2-G1	-60040	2-L2	36117-60020	2-H2	37302-36010	2-G3
-77090	1-G6	29331-56010	1-J6	31478-30010	2-E7	-60080	2-L2	36119-60010	2-H2	-60040	2-G3
28121-42020	1-G6	-36070	1-J6	31479-60030	2-G1	33311-60041	2-B2	-60020	2-H2	37305-25010	2-G3
28123-41020	1-G6	21349-54010	1-J6	31481-60172	2-D1	-60060	2-B2	36122-60040	2-H2	-36010	2-G3
28125-41020	1-G6	-56070	1-J6	-60221	2-D1	-60080	2-B2	36124-60020	2-H2	37315-36010	2-G3
28126-33021	1-F6	31104-60020	1-A2	33020-50903	2-I1	33318-36012	2-B2	36128-60020	2-H2	-36020	2-G3
28130-34080	1-G6	31111-60030	1-H1	33039-60231	2-I1	33321-60051	2-B2	-50021	2-H2	37341-30010	2-B3
-41020	1-G6	-60031	1-H1	-60232	2-I1	-60070	2-B2	36132-60020	2-H2	37402-36060	2-G3
-56080	1-G6	-60032	1-H1	31121-60021	2-K1	33325-60010	2-L2	36134-60020	2-H2	-36080	2-G3
-60042	1-G6	-60070	2-K1	31126-36030	2-B1	-60020	2-L2	36142-60030	2-H2	38101-60060	2-K3
28131-20010	1-G6	31121-60021	2-K1	-60330	2-B1	33332-36012	2-B2	36143-60020	2-H2	38102-60040	2-K3
28132-40010	1-G6	31126-36030	2-B1	-60380	2-B1	-60020	2-B2	36144-60020	2-H2	38103-60040	2-K3
28133-40010	1-G6	-60021	2-B1	33046-30010	2-D2	33333-60020	2-B2	36152-60030	2-H2	38103-60040	2-K3
28138-40010	1-G6	31131-60010	1-A2	33102-60090	2-F2	-60030	2-B2	36203-60020	2-B3	38105-60040	2-K3
28130-77090	1-G6	31132-61020	1-A2	33111-60040	2-K1	33335-60011	2-C2	-60021	2-B3	-60041	2-K3
28140-26070	1-G6	31133-61020	1-A2	-60041	2-K1	-60020	2-C2	36204-60031	2-B3	38106-60040	2-K3
-41020	1-G6	31134-60020	1-A2	-60060	2-K1	33336-60010	2-C2	-60040	2-B3	38110-60040	2-K3
-77090	1-G6	31135-60020	1-A2	-60070	2-K1	33337-36070	2-C2	-60041	2-B3	-60041	2-K3
28142-10011	1-G6	31136-60110	1-A2	33121-60090	2-F2	33346-36010	2-C2	36212-60040	2-B3	-60050	2-K3
-25011	1-G6	31137-60010	1-A2	33122-37011	2-F2	33349-36012	2-C2	-60041	2-B3	-60051	2-K3
28143-40010	1-G6	31201-39097	2-B1	33124-60010	2-H2	33362-60021	2-C2	36213-60020	2-B3	38113-60040	2-K3
-46012	2-A4	-39110	2-B1	33131-60020	2-K1	33364-36051	2-C2	36215-60030	2-B3	38116-60010	2-K3
28150-34080	1-G6	-69026	2-B1	-69027	2-K1	33366-36020	2-C2	36221-60041	2-B3	38118-60040	2-K3
-56070	1-G6	31204-60030	2-B1	3332-36010	2-K1	33369-20012	2-C2	-60050	2-B3	38121-60040	2-K3
-60040	1-G6	-60030	2-B1	33142-60020	2-K1	33371-20010	2-C2	-60051	2-B3	38122-60040	2-K3
-60060	1-G6	-60030	2-B1	-60030	2-M2	33391-36010	2-C2	36222-60010	2-B3	38127-60040	2-K3
28160-26070	1-H6	31210-36072	2-B1	33151-60011	2-K1	33394-36011	2-C2	36223-60031	2-B3	38131-60040	2-K3
-41020	1-H6	-36090	2-B1	33201-36030	2-F2	33395-36010	2-C2	36231-60021	1-H3	38133-60040	2-K3
-77090	1-H6	-60041	2-B1	33202-36011	2-F2	33398-36011	2-C2	36234-60031	2-C3	38134-60040	2-L3
28162-41022	1-H6	-60041	2-F1	33203-36030	2-F2	-36012	2-C2	36235-60020	2-C3	38137-60040	2-L3
28163-40011	1-H6	31216-60010	2-B1	33202-36011	2-G2	33402-36021	2-L2	36237-60020	2-C3	38143-60010	2-L3
28165-26040	1-H6	-60010	2-B1	-60030	2-G2	-36050	2-C2	36251-60030	2-C3	38151-60040	2-L3
-77090	1-H6	31221-39085	2-B1	33203-60010	2-G2	33403-60016	2-L1	-60050	2-C3	38152-60040	2-L3
28166-41011	1-G6	-39120	2-B1	33211-36011	2-F2	-69075	2-L1	36303-60080	2-D1	38153-60040	2-L3
28172-11021	1-H6	-69015	2-B1	33212-36020	2-F2	33404-30040	2-L1	36307-60030	2-D1	38182-60040	2-L3
28199-77090	1-G6	31231-60010	2-B1	-60020	2-F2	33411-60041	2-D2	36311-60040	2-D1	38183-60040	2-L3
28222-77090	1-H6	-60130	1-B1	33213-60030	2-F2	-60062	2-D1	-60041	2-D1	-60041	2-L3
28228-26040	1-H6	31232-60120	1-B1	-60050	2-F2	33421-36040	2-D1	36312-60030	2-D1	38184-60040	2-L3
-56080	1-H6	31236-3010	2-B1	33214-60021	2-F2	33451-36022	2-D1	36313-60050	2-E3	-60041	2-L3
28229-26040	1-H6	-60020	2-B1	33212-36030	2-F2	33481-60010	2-B3	36314-60030	2-E3	38185-60040	2-L3
-56080	1-H6	31238-30041	2-D1	33213-36010	2-F2	33485-300	2-L1	36318-60020	2-E3	-60041	2-L3
28253-45020	1-H6	31250-36111	2-B1	-36020	2-F2	33514-221	2-J2	36321-60041	2-E3	38186-60040	2-L3
28254-45020	1-H6	-60020	2-B1	33215-36030	2-F2	-60030	1-J2	-60070	2-E3	38187-60040	2-L3
-77090	1-H6	-60040	2-B1	33216-36011	2-F2	33505-60010	2-J2	36323-60031	2-E3	38191-60010	2-L3
28300-56010	3-F3	-60090	2-B1	-60010	2-F2	33506-60010	2-J2	-60060	2-E3	-60030	2-L3
28521-57010	3-E8	31201-60050	2-D1		2-G2	33531-60010	2-H2	36324-60050	2-F3	38192-60010	2-L3

I. MODELS COVERED & CHARACTERISTICS



Softtop  
**TOYOTA LAND CRUISER Hardtop** (Production from Aug., '80 up to Oct., '84)

Model	Engine	Production Period	Characteristic Expressions in Catalog Model Column					Model Name
			V	VKC	4F	RB	CND	
BJ42LV-KCJK	3B	8003-8210	V	VKC	4F	RB	CND	Hardtop
BJ42LV-MCJK	"	8210-8410	"	"	5F	"	"	"
FJ40LV-KJA	2F	8008-8110	TP	TPS	4F	"	USA	Vinyltop
FJ40LV-KCA	"	8008-8309	V	VKC	"	"	"	Hardtop
FJ40LV-KCJK	"	8008-8110	"	"	"	"	CND	"

- V Van (Hardtop)
- VKC Van (Hardtop), with Swing-out back door
- TP Vinyl Softtop (Tarpaulin Softtop)
- TPS Vinyl Softtop (Tarpaulin Softtop), Standard type
- 4F 4-speed transmission, floor shift
- 5F 5-speed transmission, floor shift
- RB with Roll-over (with Safety bar)
- USA For United States of America
- CND For Canada

ILLUSTRATED INDEX

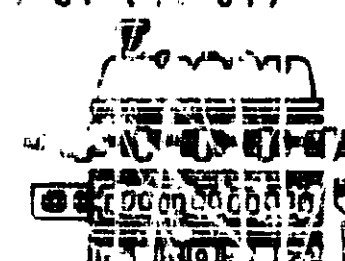
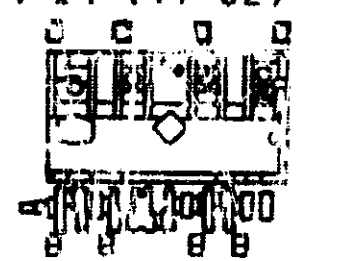
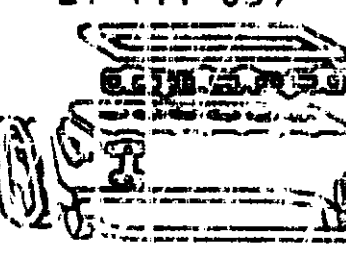
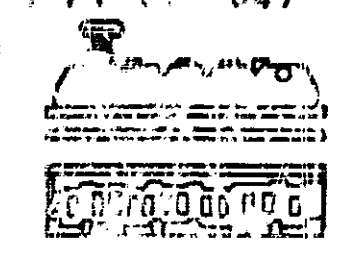
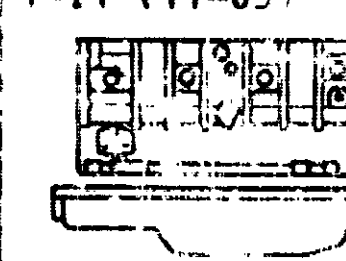
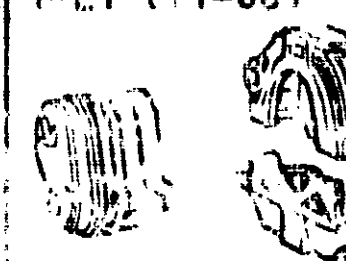
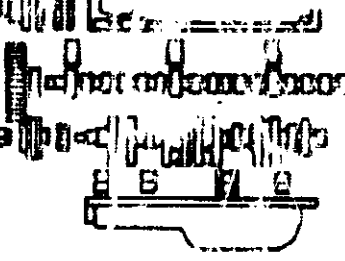
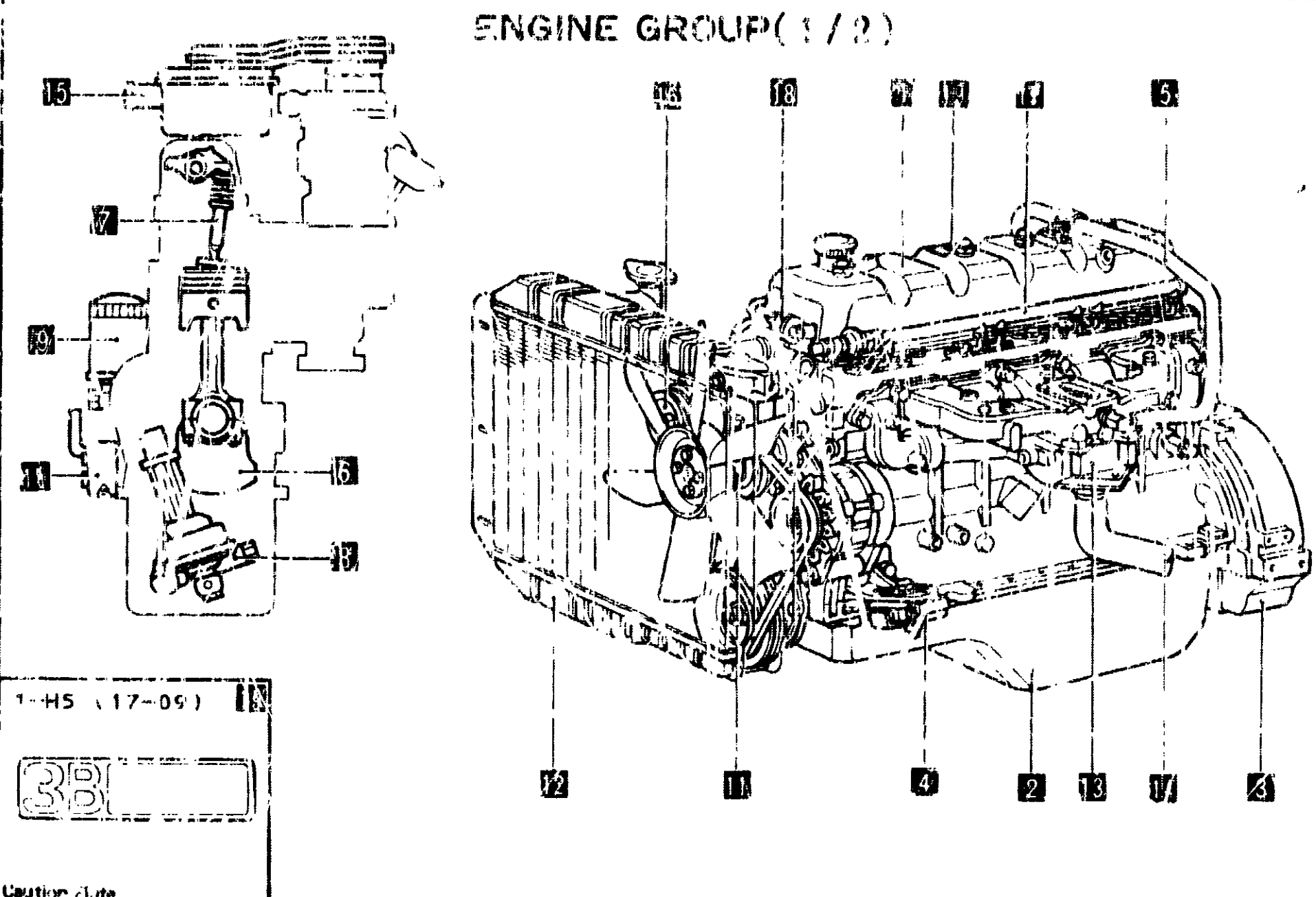
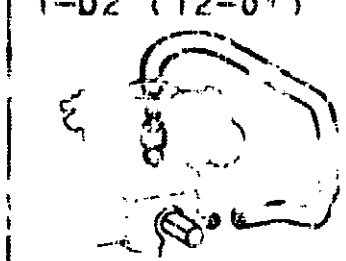
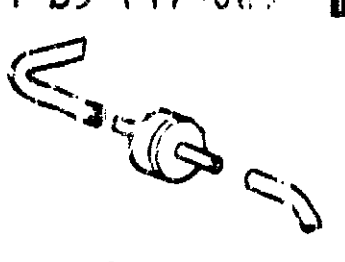
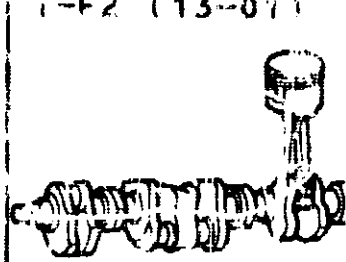
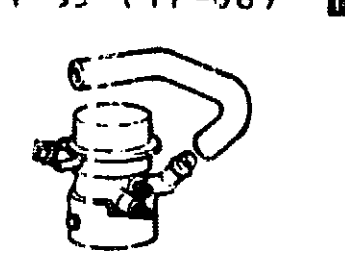
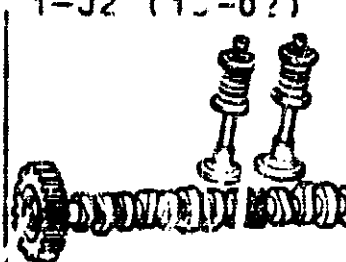
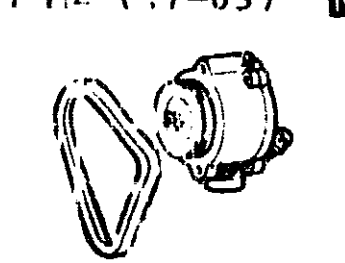
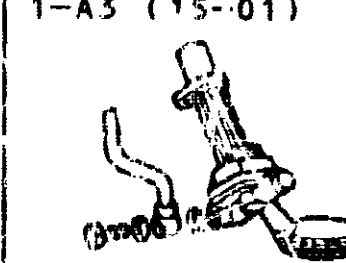
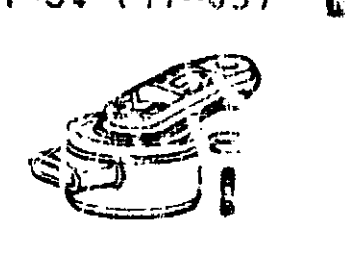
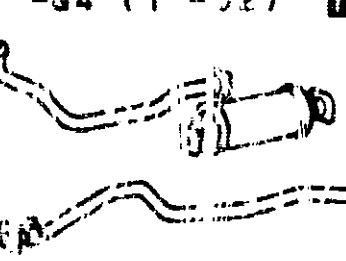
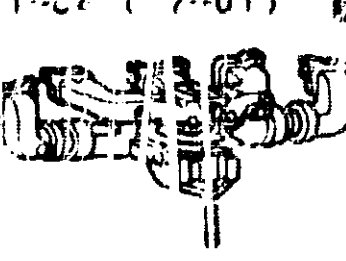
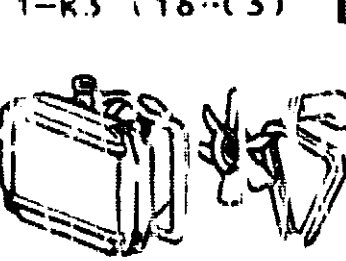
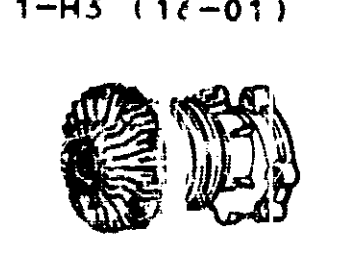
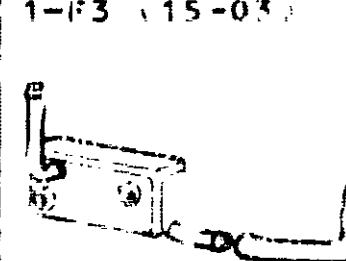
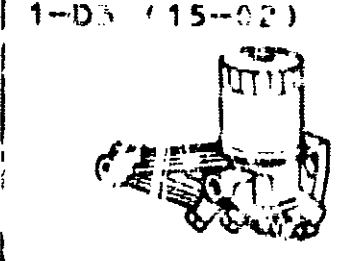
<p>1-C1 (11-01)</p>  <p>Short Lock Assembly</p>	<p>1-D1 (11-02)</p>  <p>Checkval Gasket Kit</p>	<p>1-E1 (11-03)</p>  <p>Cylinder Head</p>	<p>1-F1 (11-04)</p>  <p>Cylinder Block</p>	<p>1-I1 (11-05)</p>  <p>Gear Cover &amp; End Plate</p>	<p>1-B2 (11-07)</p>  <p>Mounting</p>	
<p>Partial Engine Assembly</p> 	<p style="text-align: center;"><b>ENGINE GROUP (1/2)</b></p> 				<p>1-D2 (12-01)</p>  <p>Ventilation Horn</p>	
<p>1-D5 (17-08)</p>  <p>Vacuum Piping</p>					<p>1-F2 (13-01)</p>  <p>Crankshaft &amp; Piston</p>	
<p>1-D5 (17-06)</p>  <p>Manifold Air System</p>					<p>1-J2 (15-02)</p>  <p>Camshaft &amp; Valve</p>	
<p>1-M4 (17-05)</p>  <p>Air Pump</p>					<p>1-A3 (15-01)</p>  <p>Oil Pump</p>	
<p>1-J4 (17-03)</p>  <p>Air Cleaner</p>	<p>1-G4 (17-02)</p>  <p>Exhaust Pipe</p>	<p>1-C6 (17-01)</p>  <p>Manifold</p>	<p>1-K3 (16-03)</p>  <p>Radiator &amp; Fan</p>	<p>1-H3 (16-01)</p>  <p>Water Pump</p>	<p>1-F3 (15-05)</p>  <p>Oil Cooler</p>	<p>1-D3 (15-02)</p>  <p>Oil Filter</p>

FIG. 11-03 ENGINE OVERHAUL GASKET KIT

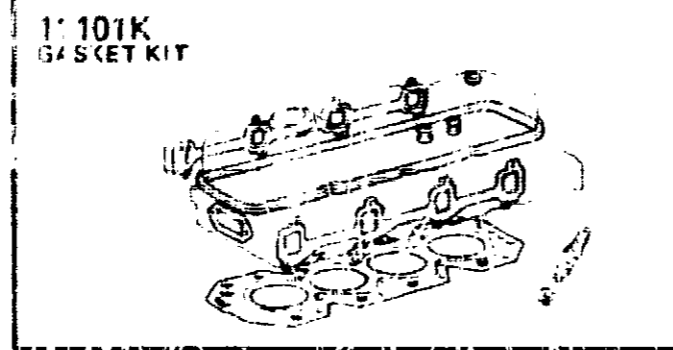
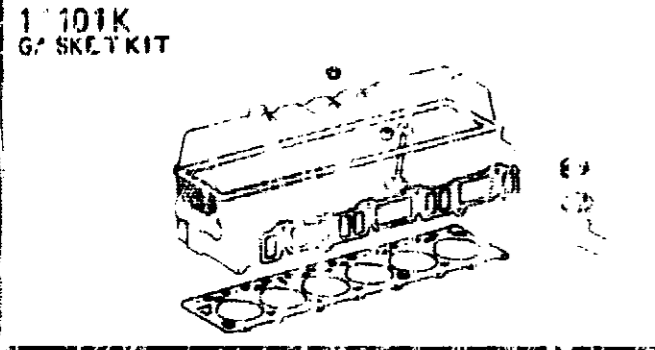
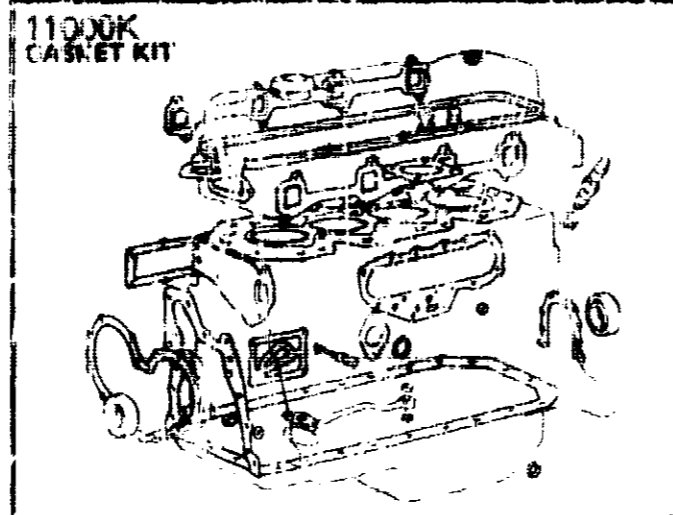
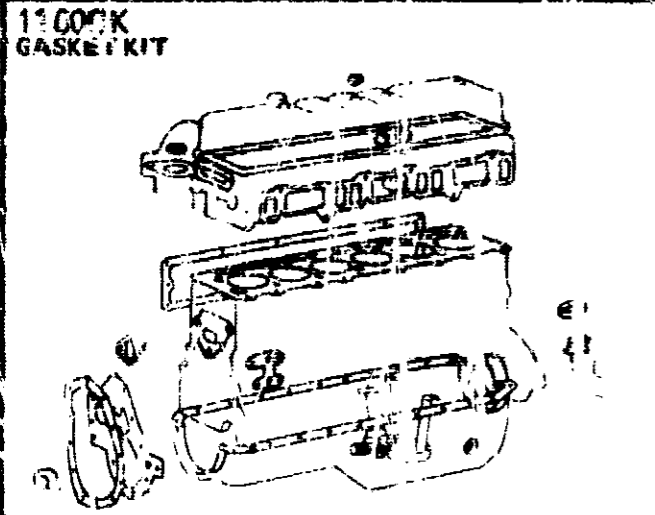
1-E1

GENUINE TOYOTA PARTS

(8008- )

2F / -R309)

3B



MA 4777P

PRCD. DATE	MODELS	DESCRIPTION	PART NUMBER	QTY	REV. REF. CODE	
					FROM	UP TO
FIG.	11-03	ENGINE OVERHAUL GASKET KIT				
		11000K GASKET KIT, ENGINE OVERHAUL				
8008-8309	2F..FJ40		04111-61040-	1		1
8008-8105	3B..BJ42		04111-58011- (04111-58012-)	1		1
8105-8308	3B..BJ42		04111-58012- (04111-58013-)	1		
8308-8408	3B..BJ42		04111-58013-	1		
8408-8410	3B..BJ42		04111-58050-	1		80
		1101K GASKET KIT, ENGINE VALVE GRIND				
8008-8309	2F..FJ40		04112-61040-	1		1
8008-8308	3B..BJ42		04112-58010- (04112-58011-)	1		1
8308-8408	3B..BJ42		04112-58011-	1		
8408-8410	3B..BJ42		04112-58040-	1		80

MA4777B

778-13-9004

PROD. DATE	MODELS	DESCRIPTION	P	PART NUMBER	QTY	REV. REF. CODE		PROD. DATE	MODELS	DESCRIPTION	P	PART NUMBER	QTY	REV. REF. CODE	
						FROM	UP TO							FROM	UP TO
FIG.	12-01	VENTILATION HOSE													
		↑ 12204 ↑   VALVE SUB-ASSY. VENTILATION													
8008-8309	2F..FJ40			12204-61010-	1	1									
		↑ 12204A ↑   GROMMET (FOR VENTILATION SYSTEM)													
8008-8309	2F..FJ40			90460-18180-	1	1									
		↑ 12251 ↑   CLAMP, VENTILATION TUBE													
8008-8111	3B..BJ42			* 12251-56031- (12251-56031- (90179-06070-	1	1									
8111-8408	3B..BJ42			12251-56031-	1										
8408-8410	3B..BJ42			12251-56040-	1	80									
		↑ 12262 ↑   HOSE, VENTILATION, NO. 2													
8008-8110	2F..FJ40..CND			12261-61020-	1	1	6								
8008-8309	2F..FJ40..USA			90910-05152-	1	1									
		↑ 12262A ↑   CLIP (FOR VENTILATION HOSE NO. 2)													
8008-8309	2F..FJ40			90467-18028-	2	1									
		↑ 12263 ↑   HOSE, VENTILATION, NO. 3													
8008-8309	2F..FJ40			90910-06036-	1	1									
		↑ 12263A ↑   CLIP (FOR VENTILATION HOSE)													
8008-8309	2F..FJ40			90467-24038-	2	1									
		↑ 12264 ↑   HOSE, VENTILATION, NO. 4													
8008-8309	2F..FJ40			90445-17043-	1	1									
		↑ 12264A ↑   CLIP (FOR VENTILATION HOSE)													
8008-8309	2F..FJ40			90467-18028-	2	1									

FIG. NO.	DATE	MODELS	DESCRIPTION	P/N	PART NUMBER	QTY	REV. REF. CODE		FIG. NO.	DATE	MODELS	DESCRIPTION	P/N	PART NUMBER	QTY	REV. REF. CODE	
							FROM	UP TO								FROM	UP TO
FIG.		15-02	OIL FILTER														
			↑														
			↑														
8008-8410		3B, 2F, BJ42, FJ40	ELEMENT SUB-ASSY, OIL FILTER		15600-41010-	1		80									
			↑														
			↑														
8008-8110		2F, FJ40, CHL	BRACKET SUB-ASSY, OIL FILTER		15609-61020-	1		6									
			↑														
8008-8210		2F, FJ40, USA	W/OIL COOLER		15609-61010-	1											
			↑														
			↑														
8008-8305		2F, FJ40, USA	W/OIL COOLER		15609-61011-	1											
			↑														
8008-8410		3B, BJ42			15609-56040-	1		10									
			↑														
			↑														
8008-8208		3B, 2F, BJ42, FJ40	GASKET, OIL FILTER BODY		15621-41010-	1											
			↑														
			↑														
8008-8309		2F, FJ40	GASKET, OIL FILTER		15691-60010-	1											
			↑														
8008-8410		3B, BJ42			15691-56030-	1		80									

PROD. DATE	MODELS	DESCRIPTION	R/P	PART NUMBER	QTY	REV. REF. CODE	
						FROM	UP TO
FIG.	17-01 MANIFOLD						
	17110	MANIFOLD ASSY					
8008-8110	2F..FJ40..CND		K	17100-61052-	1	1	6
8008-8209	2F..FJ40..USA		B	17100-61081- (17100-61082- )	1	1	26
8209-8309	2F..FJ40..USA			17100-61082-	1	27	
	17110B	UNION (FOR VENTILATION HOSE TO MANIFOLD)					
8008-8110	2F..FJ40..CND			90404-53035-	1	1	6
	17111	MANIFOLD, INTAKE					
8008-8110	3B..BJ42		A	17111-56060- (17111-56100- )	1	1	6
8110-8210	3B..BJ42		B	17111-56080- (17111-56100- )	1	7	18
8210-8410	3B..BJ42			17111-56100-	1	19	30
	17111B	PLUG, NO. 2					
8008-8110	2F..FJ40..CND			90344-53011-	1	1	6
8210-8309	2F..FJ40..USA				1	19	
8306-8309	2F..FJ40..USA			90344-53002-	1		
	17141	MANIFOLD, EXHAUST					
8008-8210	3B..BJ42		B	17141-56030- (17141-56031- )	1	1	18
8210-8408	3B..BJ42		B	17141-56031- (17141-56050- )	1	19	
8408-8410	3B..BJ42			17141-56050-	1		80
	17141B	COLLAR (FOR EXHAUST MANIFOLD)					
8209-8309	2F..FJ40..USA			90387-10055-	1	27	
	17141H	PLUG, TIGHT (FOR EXHAUST MANIFOLD)					
8209-8309	2F..FJ40..USA			96411-12000-	1	27	
	17145	RING, EXHAUST MANIFOLD					
8008-8309	2F..FJ40			17151-61010-	4	1	

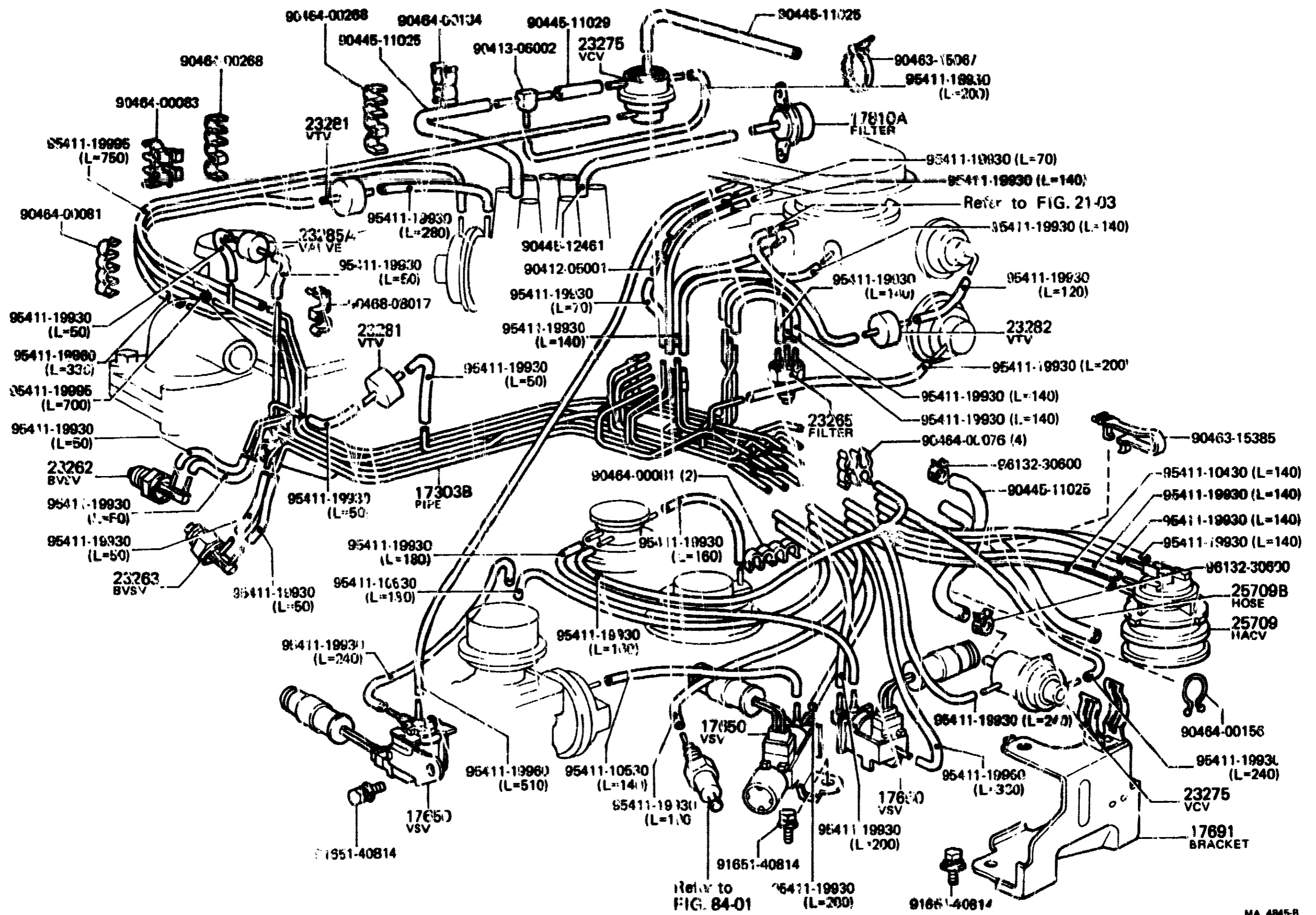
PROD. DATE	MODELS	DESCRIPTION	R/P	PART NUMBER	QTY	REV. REF. CODE	
						FROM	UP TO
	17147	SPRING, EXHAUST MANIFOLD					
8008-8309	2F..FJ40			17152-61010-	4	1	
	17151	BOLT, STUD (FOR MANIFOLD TO CARBURETOR)					
8008-8309	2F..FJ40			90116-08042-	4	1	
	17152	BOLT, STUD (FOR MANIFOLD TO EXHAUST PIPE)					
8008-8309	2F..FJ40			90116-10299-	1	1	
8008-8203	3B..BJ42	L=40, S=17&#177;17		90116-10055- (90116-10048- )	3	1	
8203-8406	3B..BJ42	L=40, S=19&#177;12		90116-10048-	3		
8408-8410	3B..BJ42			90116-10056-	3		80
	17159	BOLT, STUD (FOR MANIFOLD TO CYLINDER HEAD)					
8008-8309	2F..FJ40			90116-12321-	2	1	
8008-8108	3B..BJ42	EXHAUST MANIFOLD		92122-61028-	2	1	
8008-8204	3B..BJ42	INTAKE MANIFOLD		92132-60822-	8	1	
8106-8406	3B..BJ42	EXHAUST MANIFOLD		90116-10048-	2		
8204-8408	3B..BJ42	INTAKE MANIFOLD		92132-60822-	4		
8406-8410	3B..BJ42	EXHAUST MANIFOLD		90116-10098-	2		80
8408-8410	3B..BJ42	INTAKE MANIFOLD		92132-60822-	5		80
	17167	INSULATOR, EXHAUST MANIFOLD HEAT, NO. 1					
8008-8309	2F..FJ40			17167-61012-	1	1	
8008-8410	2F..BJ42			17167-56020- (17167-56022- )	1	1	80
	17168	INSULATOR, EXHAUST MANIFOLD HEAT, NO. 2					
8008-8309	2F..FJ40..USA			17168-61014-	1		
	17169	INSULATOR, EXHAUST MANIFOLD HEAT, NO. 3					
8008-8309	2F..FJ40			17169-61011-	1	1	



# FIG. 17-08 VACUUM PIPING



(8008-8309)2F..USA



Refer to FIG. 84-01

MA4845B

MA 4845-B

174-11-012

FIG. 19- C4 STARTER

-E6

(8008-8206) 2F

(8206-8309) 2F

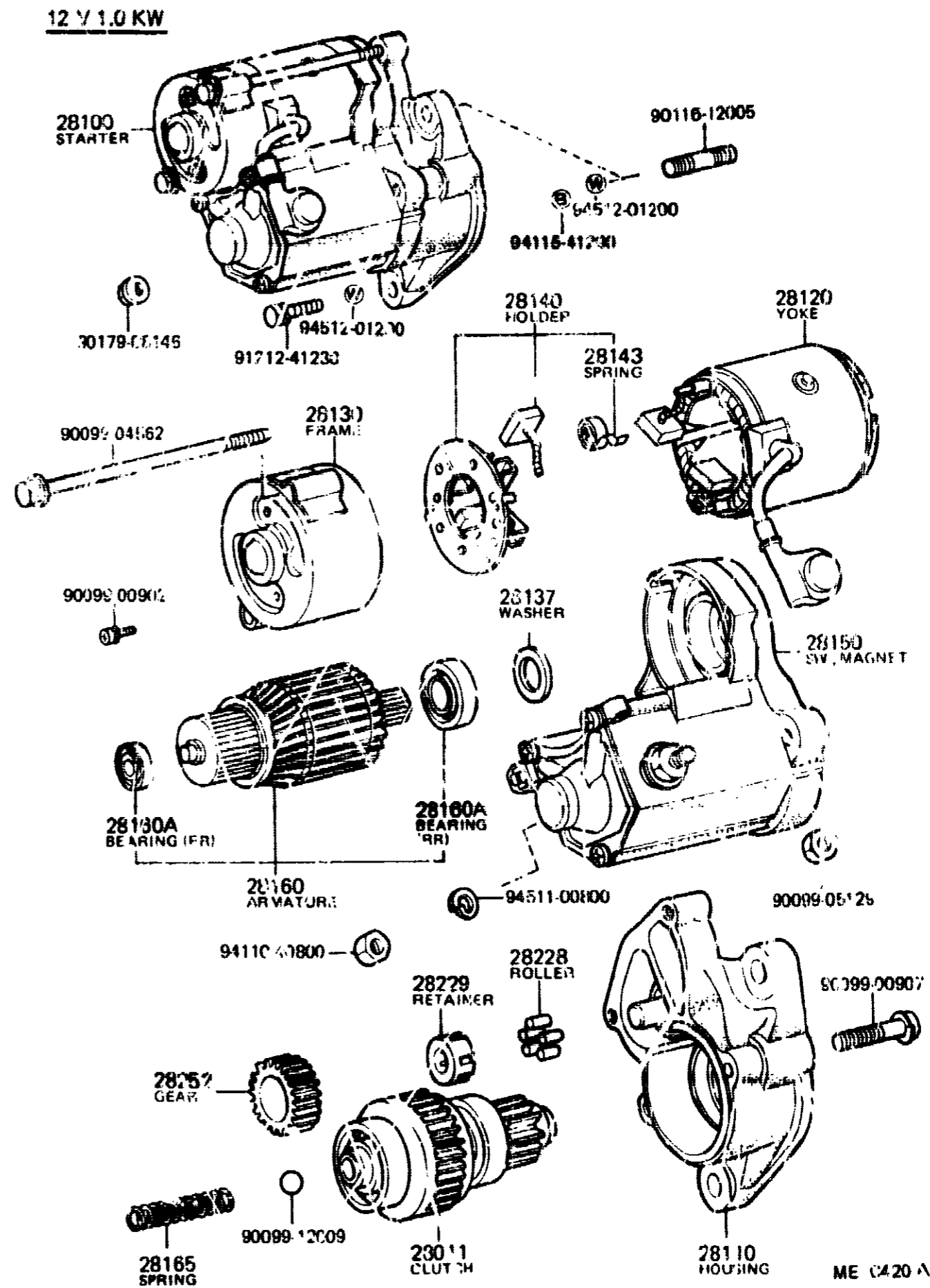
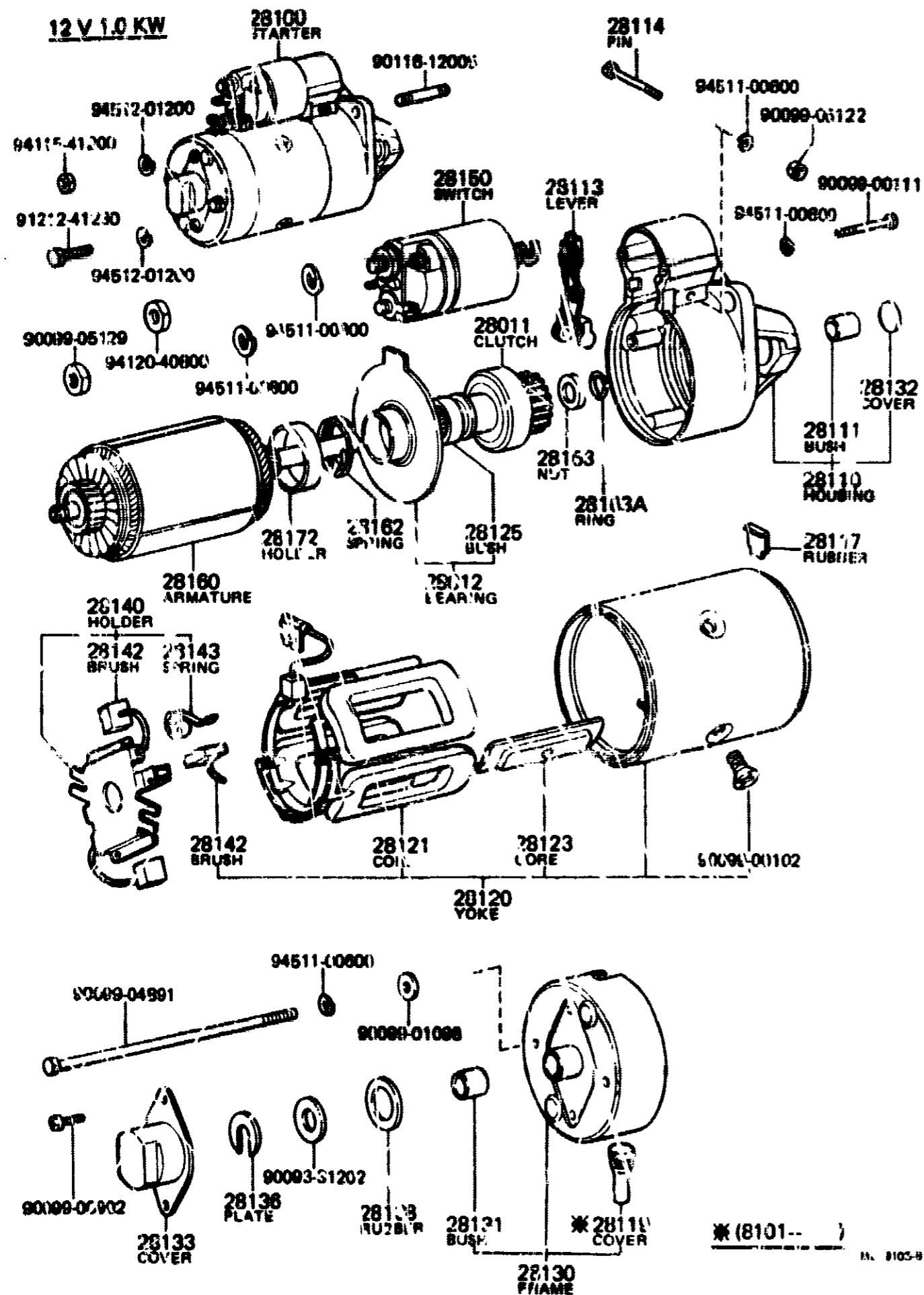
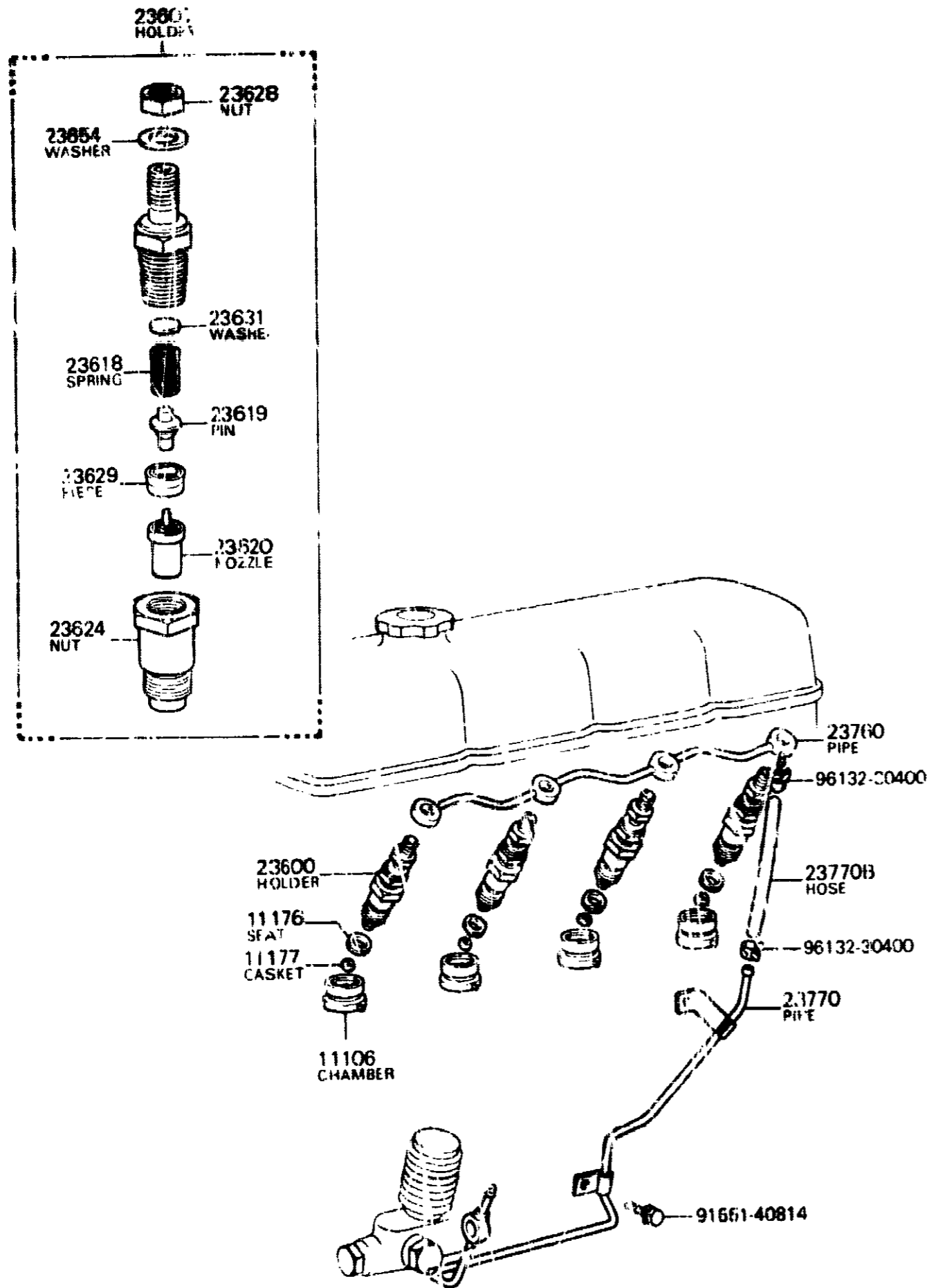


FIG. 22-01 INJECTION NOZZLE

1-E7

GENUINE TOYOTA PARTS

(8008- 13B



MF 25.2A

PROD. DATE	MODELS	DESCRIPTION	PART NUMBER	REV. N.F. CODE	
				FROM	UP TO
FIG.	22-01	INJECTION NOZZLE			
		11106 CHAMBER SUB-ASSY, COMBUSTION			
8008-8410	3B..BJ42		11106-58010-	4	1 80
		11176 SEAT, INJECTION NOZZLE			
8008-8410	3B..BJ42		11176-56310--	4	1 90
		11177 GASKET, INJECTION NOZZLE SEAT			
8008-8410	3B..BJ42		11177-56010--	4	1 80
		23600 HOLDER AND NOZZLE SET, NOZZLE			
8008-8210	3B..BJ42		23600-56011--	4	1 18
8210-8410	3B..BJ42		23600-68010-	4	19 80
		23618 SPRING, NOZZLE HOLDER PRESSURE			
8008-8410	3B..BJ42		23618-56010-	4	1 80
		23619 PIN, NOZZLE HOLDER PRESSURE			
8008-8410	3B..BJ42		23619-46010-	4	1 70
		23620 NOZZLE ASSY			
8008-8210	3B..BJ42		23620-54010-	4	1 18
8210-8410	3B..BJ42		23620-68010-	4	19 80
		23624 NUT, NOZZLE RETAINING			
8008-8210	3B..BJ42		23624-47011-	4	1 18
8210-8410	3B..BJ42		23624-54020-	4	1 80
		23628 NUT (FOR RING PACKING SETTING)			
8008-8410	3B..BJ42		23628-46010-	4	1 80
		23629 PIECE, DISTANCE (FOR NOZZLE)			
8008-8410	3B..BJ42		23629-46010-	4	1 10
		23631 WASHER (FOR NOZZLE HOLDER PRESSURE SPRING)			
8008-8410	3B..BJ42	T=1.00	23631-46010-	53	1 20
8008-8410	3B..BJ42	T=1.05	23632-76010--	53	1 80

MF 25.2A

774-13-0014

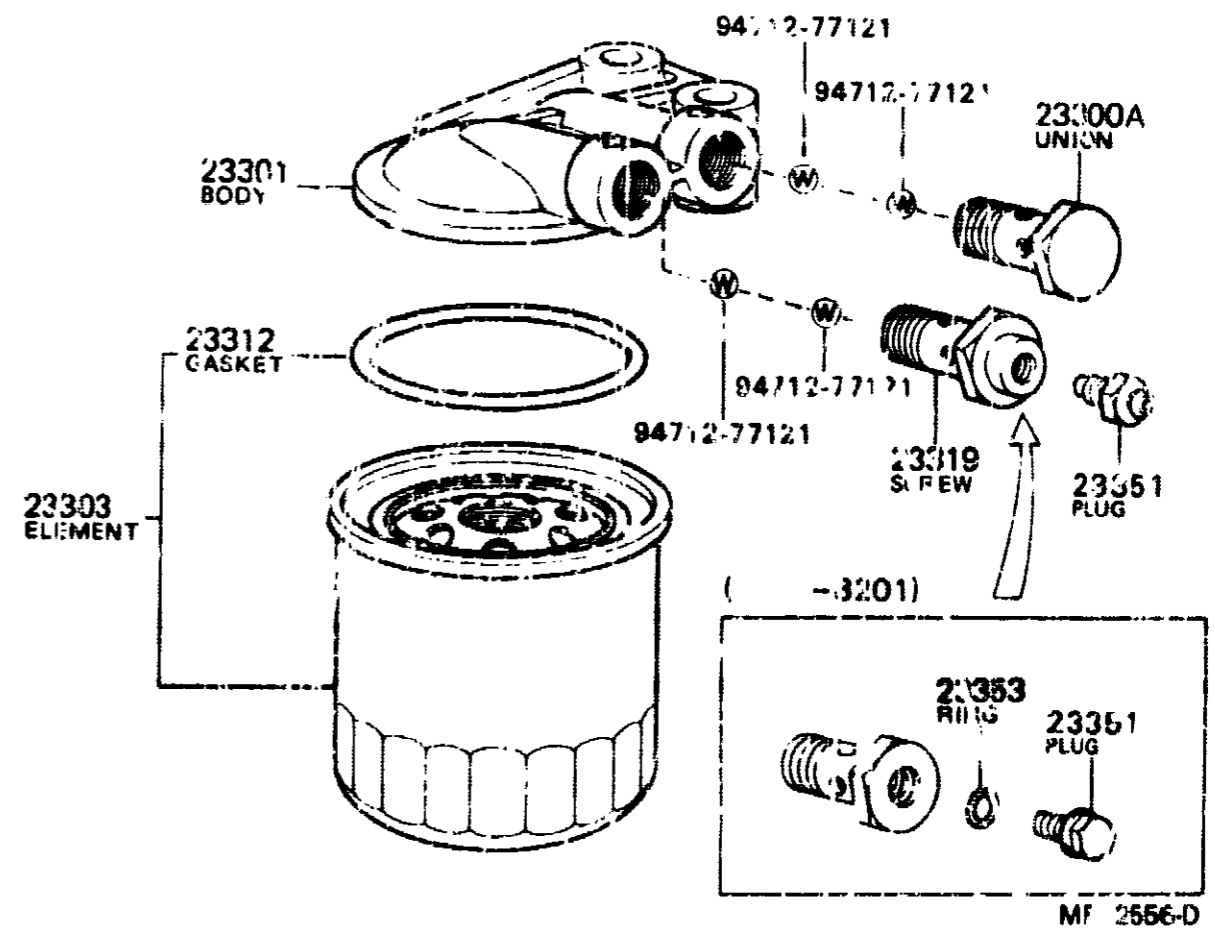
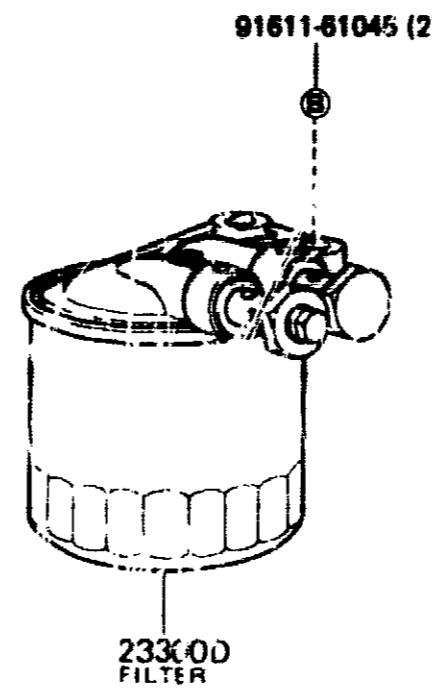
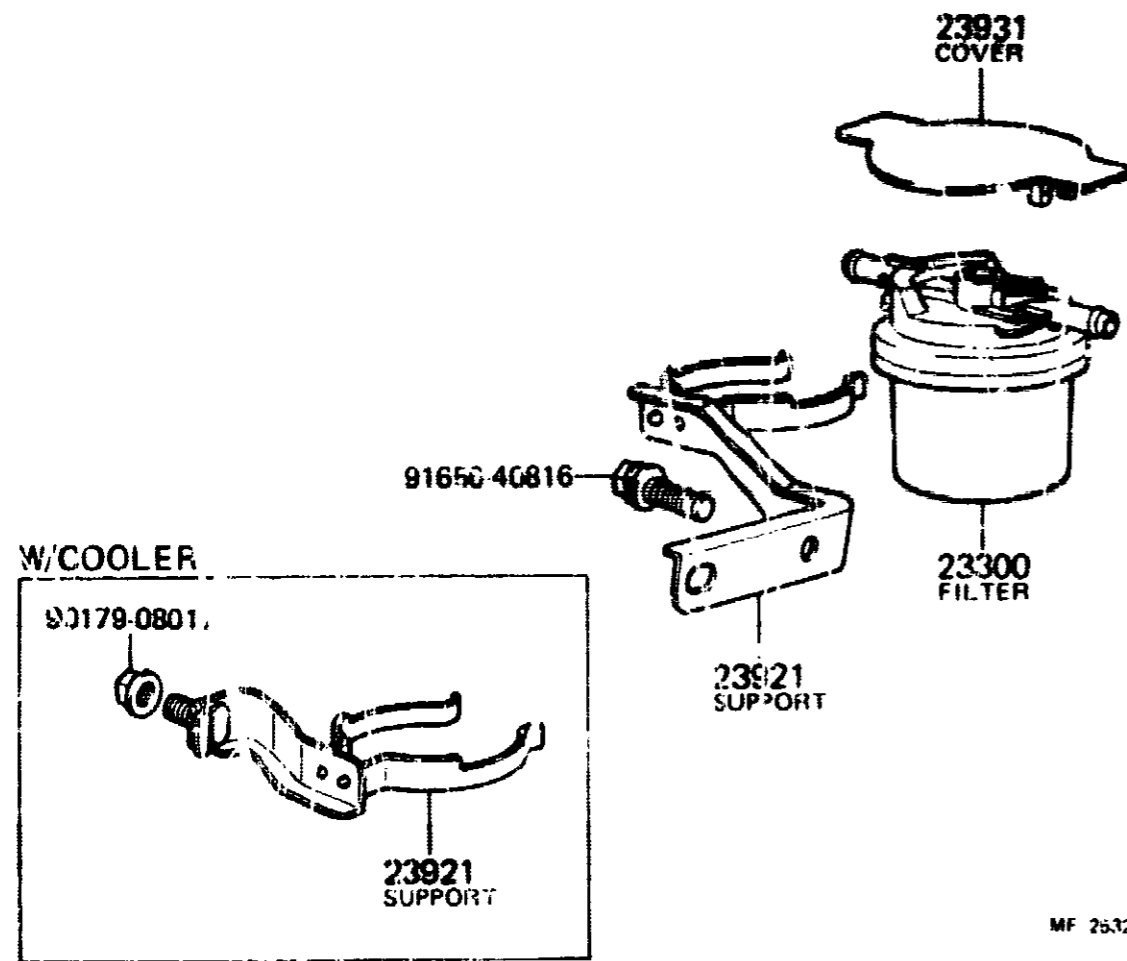
FIG. 23-02 FUEL FILTER

1-E8

(8003-8309)2F


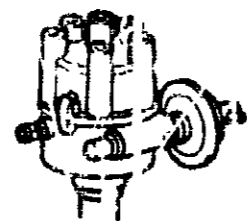
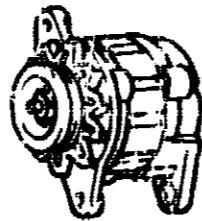
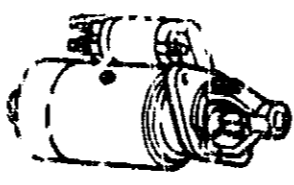
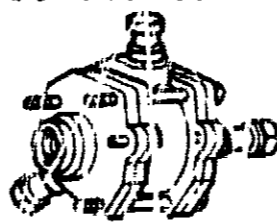
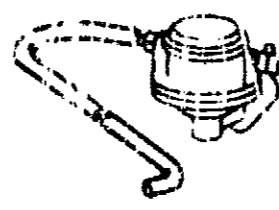

(8008- )3B

ILLUST. NO. 10F2

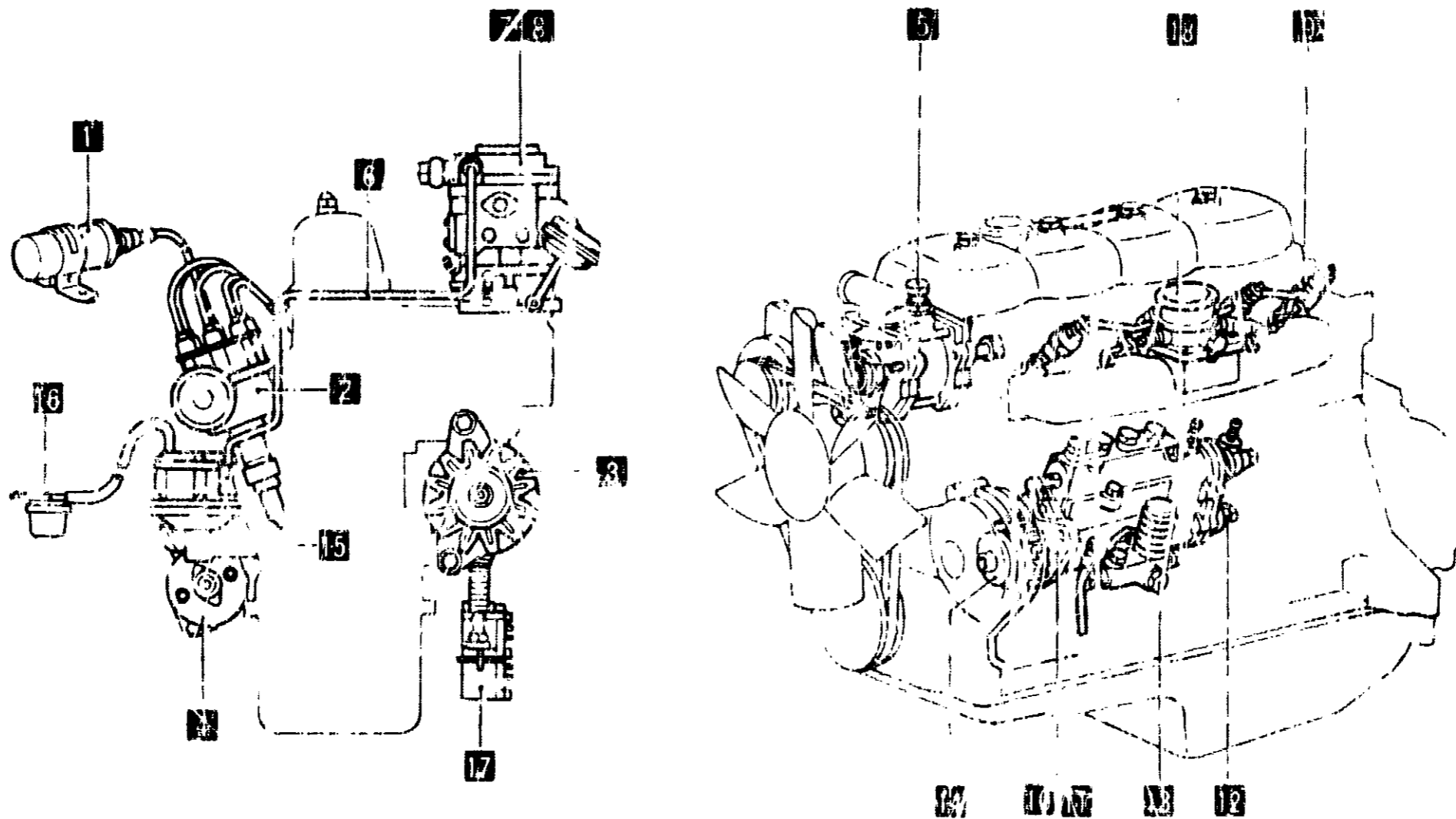


PART NUMBER	LOCATION	PART NUMBER	LOCATION	PART NUMBER	LOCATION	PART NUMBER	LOCATION	PART NUMBER	LOCATION	PART NUMBER	LOCATION
38193-60010-	2-L3	38640-60010-	2-B4	4218-60010-	2-F4	43236-60010-	2-A8	44330-60010-	2-A6	45220-60070-	2-J5
38202-60040-	2-L3	-60020-	2-B4	4219-60050-	2-F4	43237-60050-	2-A8	-60050-	2-A6	45222-30030-	2-J5
-60041-	2-L3	38641-60010-	2-B4	4210-60020-	2-F4	43401-60012-	2-A8	-60040-	2-A6	45223-30040-	2-J5
38203-60040-	2-L3	38642-60010-	2-B4	-60026-	2-F4	43405-60011-	2-C5	44341-30020-	2-B6	45225-30040-	2-J5
38205-60040-	2-L3	38652-60010-	2-B4	-60052-	2-F4	43411-60020-	2-C5	44343-12010-	2-B6	45226-30020-	2-J5
38211-60040-	2-L3	38915-90000-	3-J7	-60053-	2-F4	43412-60020-	2-C5	-30020-	2-B6	45230-36010-	2-J5
38214-60040-	2-L3	-90002-	3-J7	-60073-	2-F4	43421-60011-	2-D5	44344-30010-	2-B6	45240-36041-	2-J5
38216-60040-	2-M3	38916-90001-	3-J7	-60093-	2-F4	43422-60010-	2-D5	44346-30020-	2-B6	45254-60040-	2-K5
-60041-	2-M3	-90003-	3-J7	4213-35010-	2-F4	-	2-E4	44350-60010-	2-D5	45255-60020-	2-K5
38217-60040-	2-M3	41101-50021-	2-A5	4218-36010-	2-A5	43423-60011-	2-E5	44372-22010-	2-B6	45269-36010-	2-K5
38218-60040-	2-M3	-	2-D4	-	2-F4	43435-60011-	2-B8	44381-60011-	2-B6	45280-60042-	2-K5
38221-60040-	2-M3	41110-60010-	2-A5	4218-35011-	2-F4	43436-60011-	2-B8	44391-30010-	2-B6	-60052-	2-K5
38223-60040-	2-M3	-	2-D4	4230-60070-	2-F4	43502-60020-	2-E5	-30020-	2-B6	-60053-	2-K5
38225-60040-	2-M3	-60017-	2-A5	-60040-	2-F4	43509-60013-	2-D5	44410-60021-	2-D6	-60062-	2-K5
38226-60040-	2-M3	-	2-D4	4231-60052-	2-E4	-60015-	2-D5	-60060-	2-D6	-60063-	2-K5
38229-60040-	2-M3	-60066-	2-E5	-60060-	2-E4	43512-69010-	2-E5	44411-60030-	2-D5	45286-60907-	2-K5
38229-60040-	2-M3	-40016-	2-D4	42311-60042-	2-E4	43521-60011-	2-D5	-60080-	2-D6	-60909-	2-K5
38232-60040-	2-M3	41114-35010-	2-A5	-60070-	2-E4	43530-69016-	2-E5	-60090-	2-D6	45301-36050-	2-K5
-60041-	2-M3	-	2-D4	42322-60010-	2-D5	-69017-	2-E5	44412-60020-	2-E6	45304-36020-	2-K5
38234-60040-	2-M3	41201-69015-	2-B5	-60020-	2-E4	43531-60010-	2-E5	4416-60021-	2-E6	45310-36070-	2-K5
38236-60040-	2-M3	-	2-D4	42325-55010-	2-E4	43532-70010-	2-E5	-60080-	2-E6	-60030-	2-K5
38237-60040-	2-M3	-69015-	2-B5	42411-60011-	2-E4	44004-22011-	2-E5	44520-60031-	2-D6	45312-60041-	2-K5
38286-60010-	2-M3	4120-60010-	2-B5	42419-60011-	2-E4	44105-30050-	2-H5	44463-60010-	2-E6	45321-36020-	2-K5
38302-60010-	2-M3	-	2-B5	42420-60070-	2-E4	-30050-	2-H5	-60020-	2-E6	45323-36010-	2-K5
38317-60010-	2-M3	-60130-	2-B5	-	2-E4	44107-60020-	2-H5	-60040-	2-E6	-30020-	2-K5
38321-60010-	2-M3	-	2-B5	42427-60020-	2-E4	44109-60010-	2-H5	44566-50010-	2-E6	-36030-	2-K5
38322-60040-	2-M3	424-30010-	2-B5	-60021-	2-E4	44110-60021-	2-H5	44567-30350-	2-C7	-36040-	2-K5
38323-60040-	2-M3	-	2-B5	42428-60011-	2-E4	-60022-	2-H5	44568-30350-	2-C7	-36050-	2-K5
38324-60040-	2-M3	-	2-E4	42451-60020-	2-E4	44111-60010-	2-H5	44608-30350-	2-C7	-36060-	2-K5
38325-60040-	2-M3	-	2-B5	42441-30010-	2-E4	44115-60020-	2-H5	44609-30350-	2-C7	-36070-	2-K5
38329-60040-	2-M3	41226-35011-	2-B5	42443-55020-	2-E4	44116-60020-	2-H5	44610-30180-	2-C7	-36080-	2-K5
38333-60010-	2-M3	-	2-B5	-	2-E4	44120-60021-	2-H5	-60210-	2-C7	45332-36010-	2-K5
38334-60010-	2-M3	-35070-	2-E5	42601-30072-	2-K4	-60022-	2-J5	44632-60000-	2-C7	45351-36020-	2-L5
-61040-	2-M3	41252-35010-	2-B5	-30082-	2-K4	-60031-	2-J5	44633-30350-	2-C7	45352-36010-	2-L5
38340-60040-	2-A4	-	2-E4	-0130-05	2-K4	44172-22010-	2-E5	44658-30350-	2-C7	45353-36010-	2-L5
38350-60010-	2-A4	41311-36000-	2-A5	-0150-	2-K4	-22020-	2-J5	44659-30350-	2-C7	45354-36010-	2-L5
-60021-	2-A4	-	2-E4	42603-30300-	2-L4	44702-30020-	2-H5	44673-30350-	2-C7	45355-36010-	2-L5
38601-60010-	2-A4	41315-30010-	2-A5	-3090-	2-L4	44303-22011-	2-H5	44678-22020-	2-C7	45356-36010-	2-L5
-50070-	2-A4	-	2-E4	-0010-	2-L4	-22021-	2-H5	44704-60020-	2-D7	45357-36021-	2-L5
38502-60010-	2-A4	41316-30010-	2-A5	-0011-	2-L4	44304-30022-	2-H5	44730-22050-	2-D7	-60010-	2-J5
-60020-	2-A4	-	2-E4	-0020-	2-L4	44305-30020-	2-H5	44756-60010-	2-D7	45421-60021-	2-H6
38603-60010-	2-A4	41331-30020-	2-A5	-0021-	2-L4	-60010-	2-A6	44758-30041-	2-D7	45422-60020-	2-H6
-60020-	2-A4	-	2-E4	-01030-	2-L4	44306-60030-	2-B6	44763-60020-	2-D7	45426-60040-	2-H6
38610-60010-	2-A4	41341-30012-	2-B5	-01040-	2-L4	-60031-	2-B6	44764-60010-	2-D7	45427-60020-	2-H6
-50020-	2-A4	-	2-E4	-01050-	2-L4	-60040-	2-B6	44768-60011-	2-D7	45429-60020-	2-H6
38611-60010-	2-A4	41342-30010-	2-A5	-01051-	2-L4	-60041-	2-B6	44773-22010-	2-D7	45431-60020-	2-H6
-60020-	2-A4	-	2-F4	-01060-	2-L4	-30060-	2-B6	44779-60010-	2-D7	-60040-	2-H6
38612-60010-	2-A4	41343-30010-	2-A5	-61061-	2-L4	44307-22010-	2-B6	-60020-	2-D7	45438-60010-	2-H6
38613-60010-	2-A4	-55010-	2-F4	42421-60010-	2-L4	-22020-	2-B6	45025-60040-	2-K5	45441-60010-	2-H6
-60020-	2-A4	41344-35010-	2-F4	-60020-	2-L4	44308-60010-	2-A6	45045-69015-	2-H6	45442-60011-	2-H6
38614-60010-	2-A4	41345-35010-	2-F4	42652-35100-	2-L4	44311-60010-	2-A6	45046-69025-	2-H6	45447-30010-	2-H6
38616-60010-	2-A4	41346-35010-	2-F4	-60111-	2-L4	-60040-	2-A6	-69035-	2-H6	45450-30021-	2-H6
38617-60010-	2-A4	41347-35010-	2-F4	-60122-	2-L4	44320-60030-	2-A6	-69055-	2-H6	45451-30040-	2-H6
38621-60010-	2-A4	41348-35010-	2-F4	-60130-	2-L4	-60031-	2-A6	45047-69025-	2-H6	45450-30035-	2-H6
38622-60010-	2-A4	41351-35011-	2-B5	-60140-	2-L4	-60040-	2-A6	45100-69090-	2-F6	45451-30021-	2-H6
38623-60010-	2-A4	-	2-F4	43110-60094-	2-A5	-60041-	2-A6	45105-69010-	2-F6	45451-30021-	2-H6
38625-60010-	2-A4	4136-60010-	2-A5	-60122-	2-A5	-60080-	2-A6	45125-69040-	2-F6	45451-30035-	2-H6
38626-60010-	2-A4	-	2-F4	43204-60020-	2-A8	44325-50030-	2-A6	45130-69050-	2-F6	45473-35010-	2-H6
38627-60010-	2-A4	-60020-	2-A5	43211-60050-	2-A8	-50040-	2-A6	45131-69050-	2-F6	45475-35010-	2-H6
-60011-	2-A4	-	2-F4	43212-60050-	2-A8	44329-30010-	2-A6	45176-20030-	2-F6	45477-30030-	2-H6
38628-60010-	2-H4	-60050-	2-A5	43232-60011-	2-A8	-30020-	2-A6	45194-69010-	2-F6	45477-30030-	2-H6
38629-60010-	2-H4	-	2-F4	43233-60011-	2-A8	44330-60010-	2-A6	45210-69050-	2-J5	45477-30030-	2-H6
38630-60010-	3-F8	-60040-	2-A5	43234-60011-	2-A8	-60020-	2-A6	45214-69030-	2-J5	45477-30030-	2-H6
-60030-	3-F8	-	2-F4	43235-60010-	2-H8	-60030-	2-A6	45220-69060-	2-J5	45700-6901	2-H6

ILLUSTRATED INDEX

1-15 (19-01) <b>1</b>  Ignition Coil & Cap	1-K5 (19-02) <b>2</b>  Distributor	1-L6 (19-03) <b>3</b>  Alternator	1-E6 (19-04) <b>4</b>  Starter	1-16 (19-05) <b>5</b>  Vacuum Pump	1-K3 (21-01) <b>6</b>  Fuel Pipe & Clamp	1-L6 (21-02) <b>7</b>  Carburetor Assembly
---	---	---	---	---	---	---

ENGINE FUEL GROUP (2 / 2)



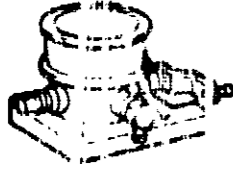
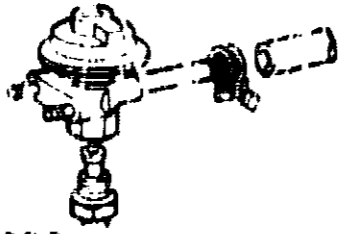



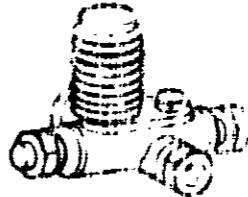
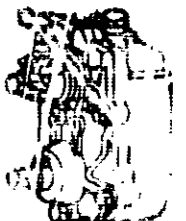
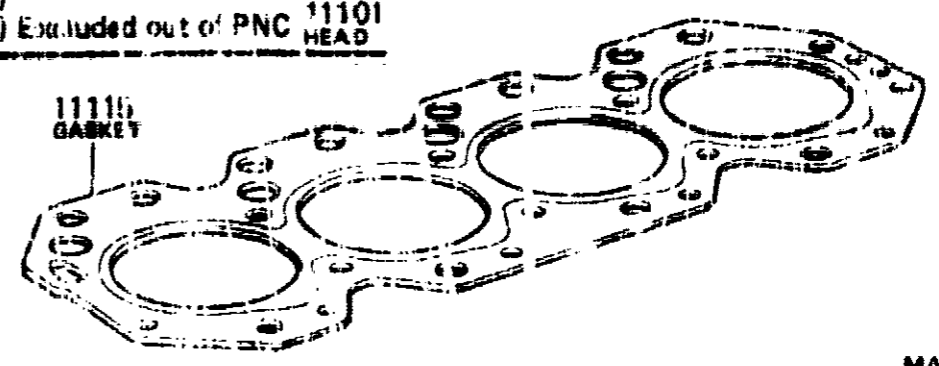
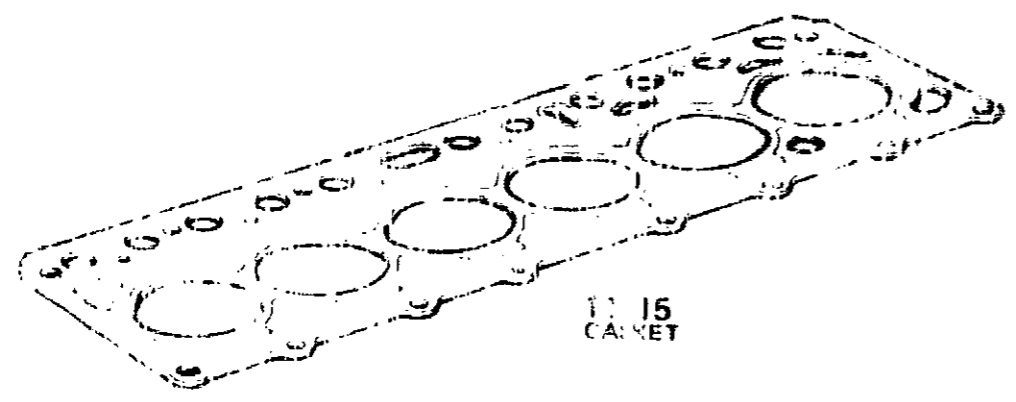
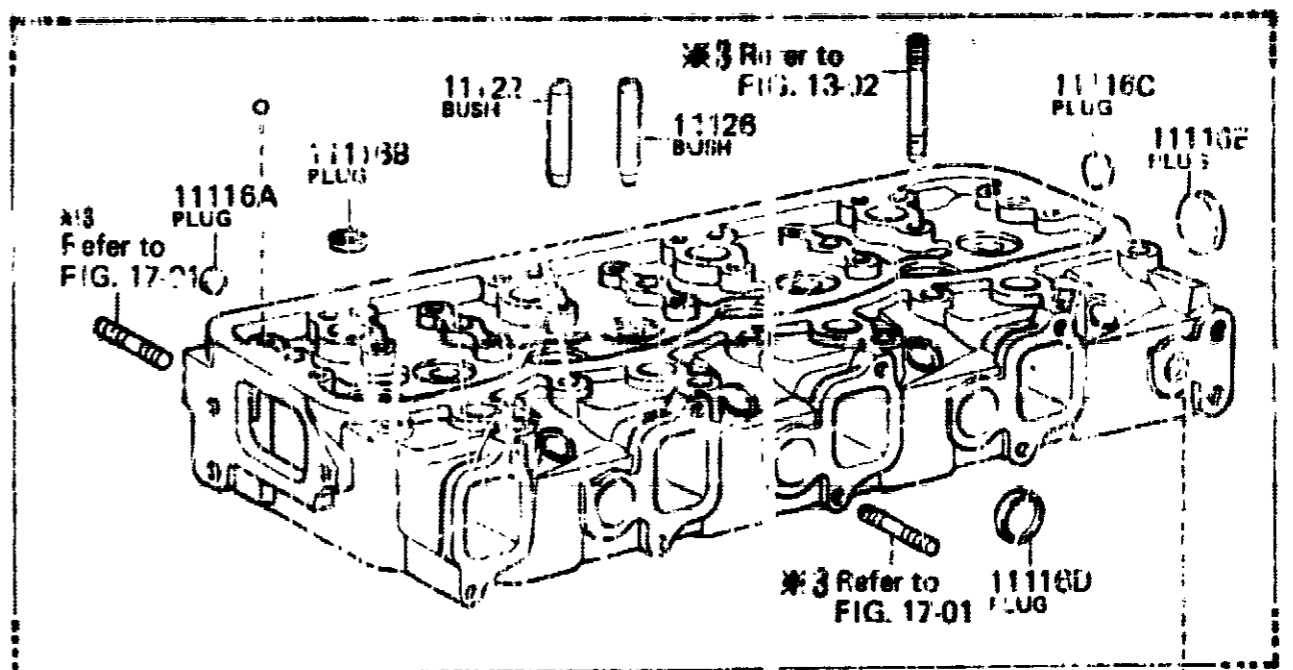
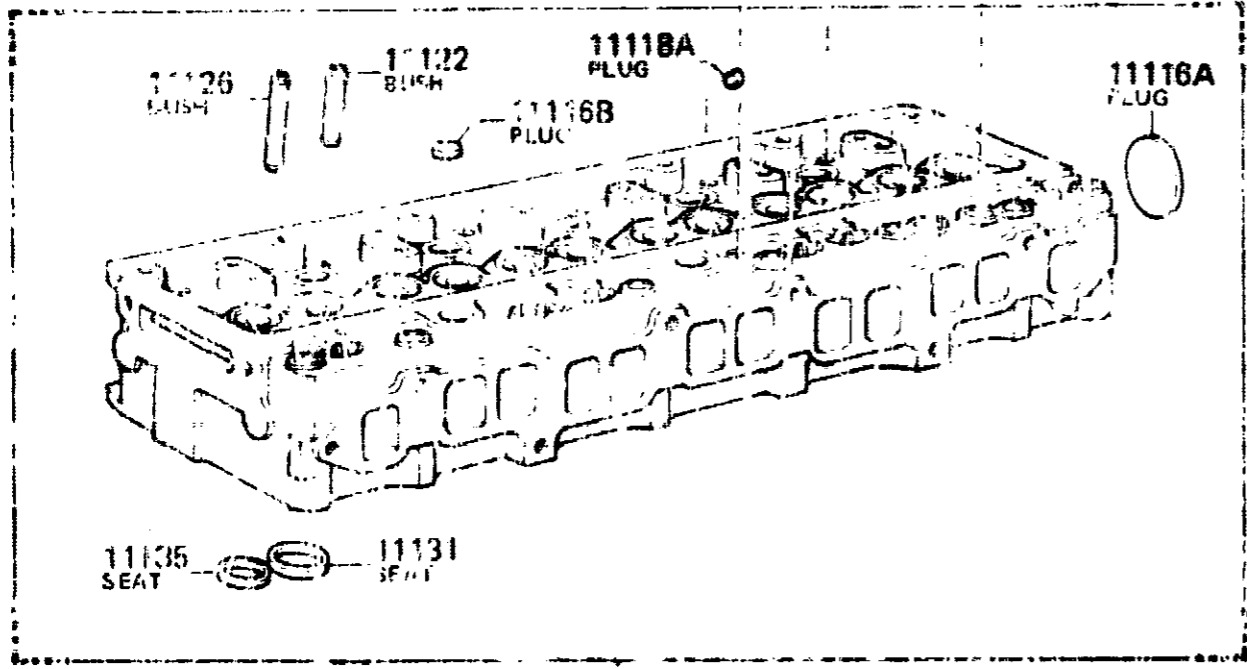
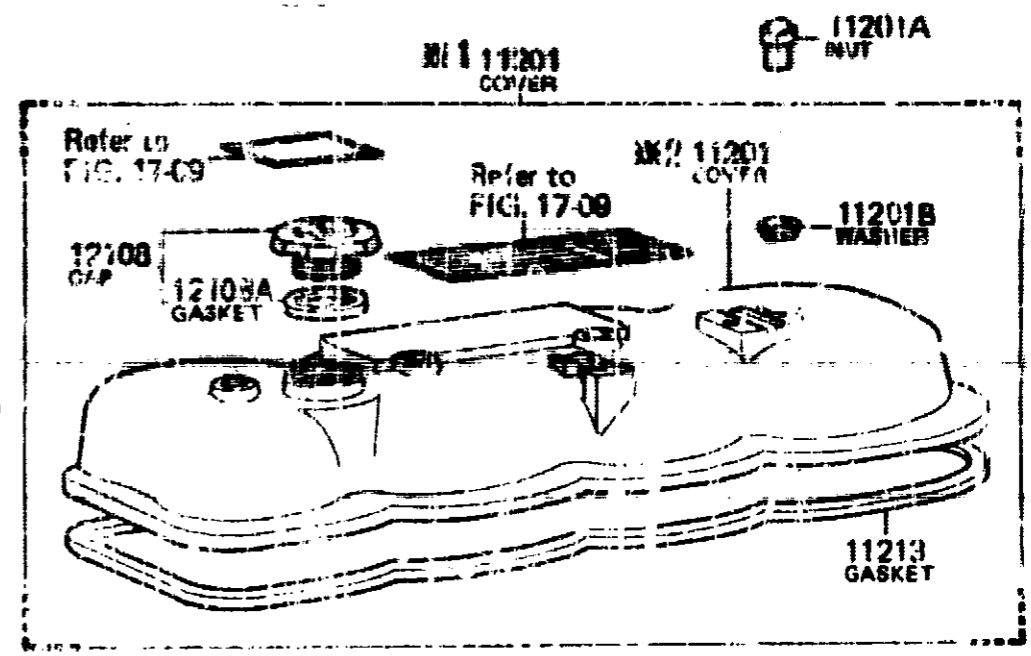
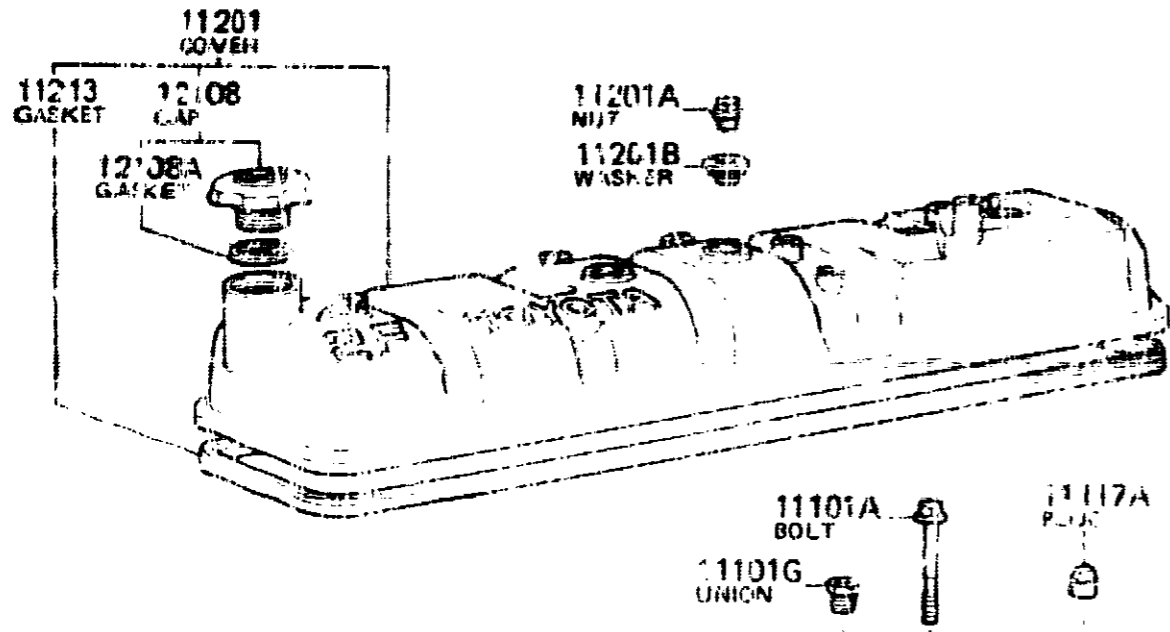
1-J8 (24-06) <b>8</b>  Venturi	1-A8 (25-01) <b>9</b>  EGR System	1-E8 (23-02) <b>10</b>  Fuel Filter	1-58 (23-01) <b>11</b>  Fuel Pump	1-C8 (22-01) <b>12</b>  Automatic Timer	1-A8 (22-05) <b>13</b>  Fuel Fuel Pump	1-77 (22-04) <b>14</b>  Pressure Governor
---	--	---	--	--	---	--

FIG-11-04 CYLINDER HEAD

1-F1

16008-8309 12F

18008- 13B



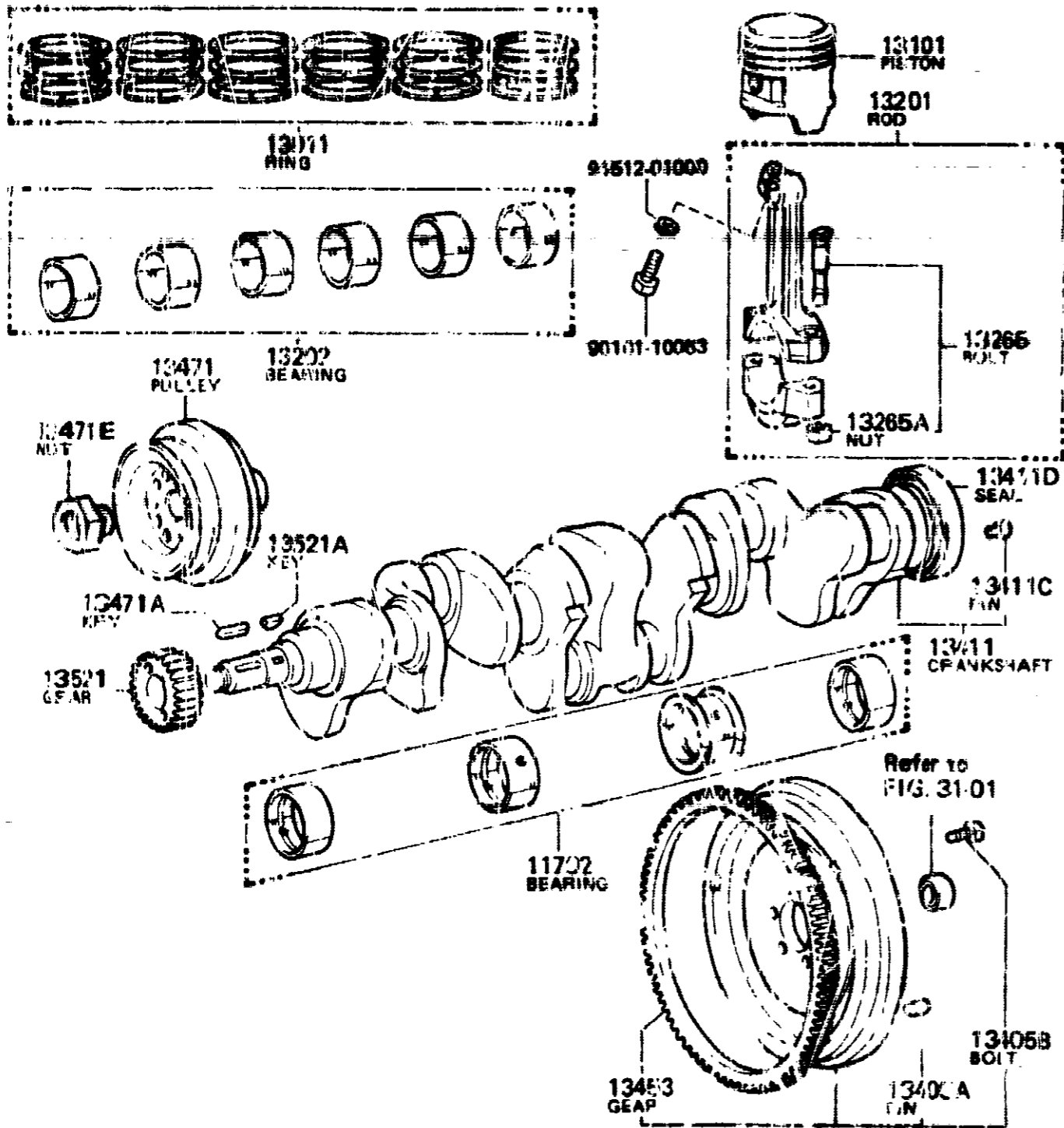
\*1 (-8408)  
 \*2(8438)  
 \*3(8411) Excluded out of PNC HEAD

MA 4 50

MA 821

(8008-8309)ZF

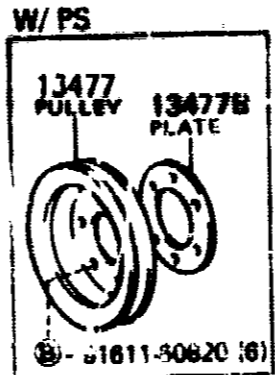
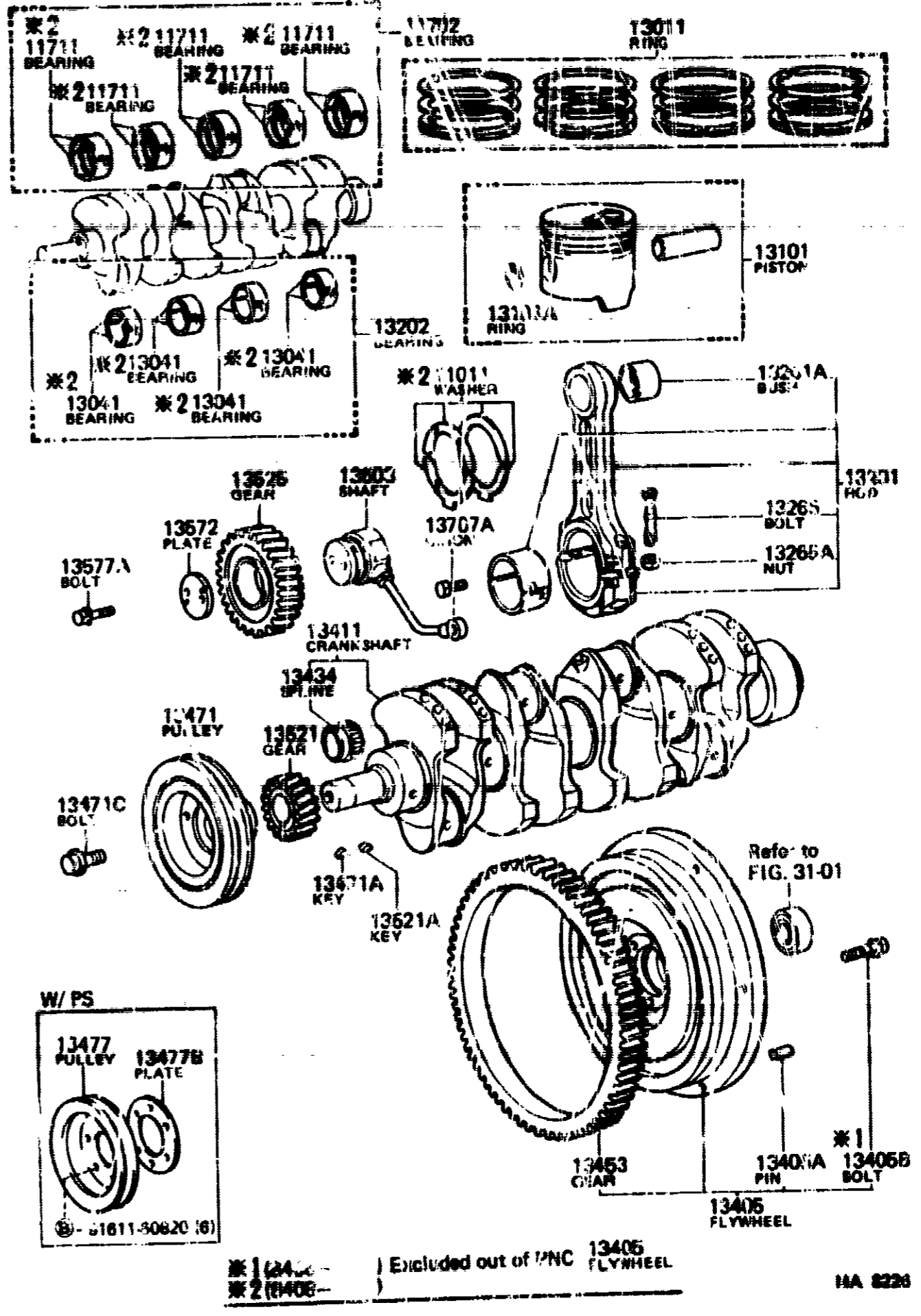
(8008- )3B



PULLEY SIZE:

		W/OOLEY'S PS	
A 155 φ	A 155 φ	A 227 φ	B 155 φ

13 05 FLY WHEEL



\*1 (24) - Excluded out of PNC 13405 FLYWHEEL  
 \*2 (1408) -

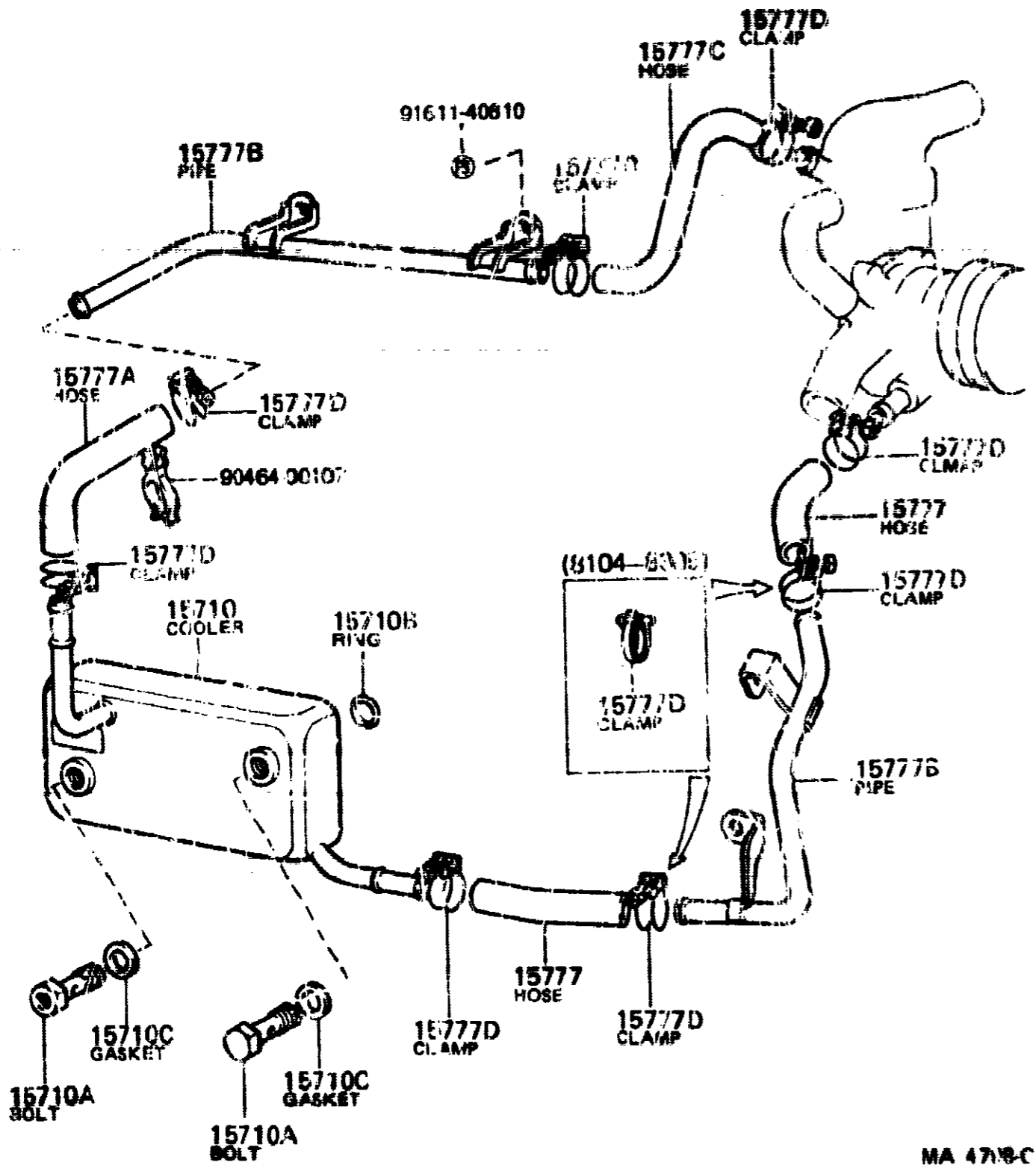


F10.15-03 OIL COOLER

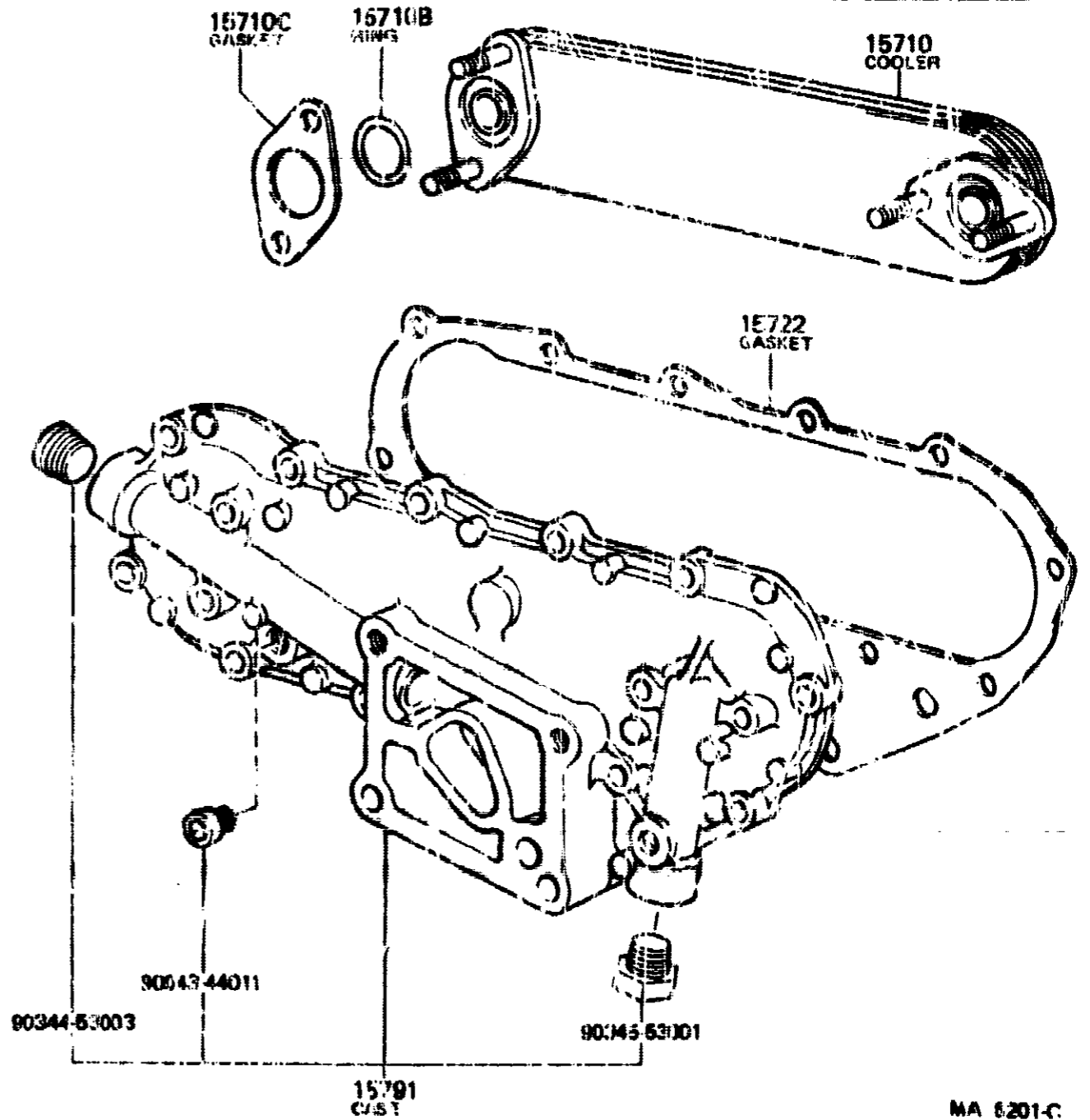
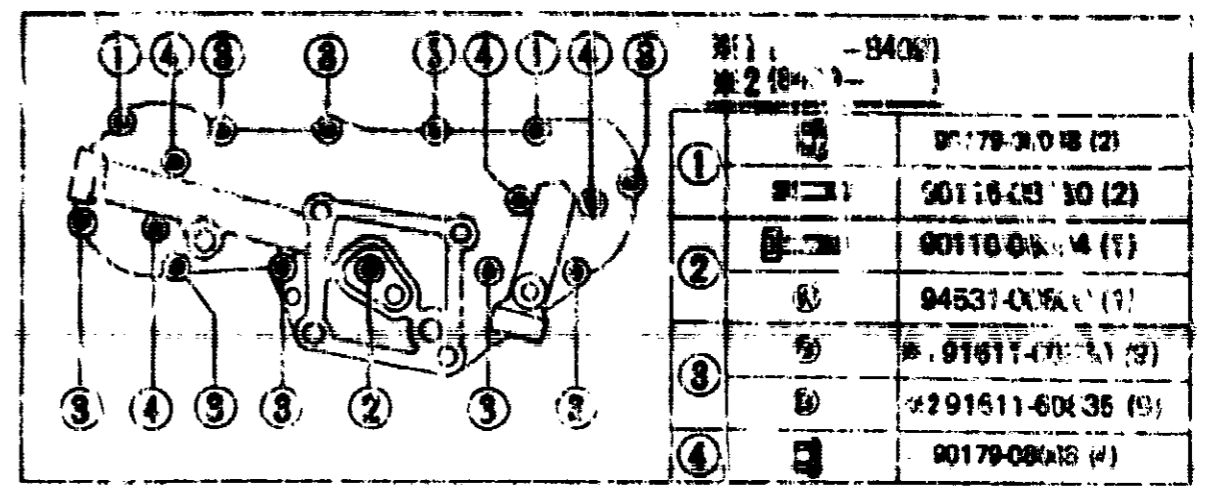
13

(8008-8309) 2F. USA

(8008-13B



MA 4708C



MA 6201-C

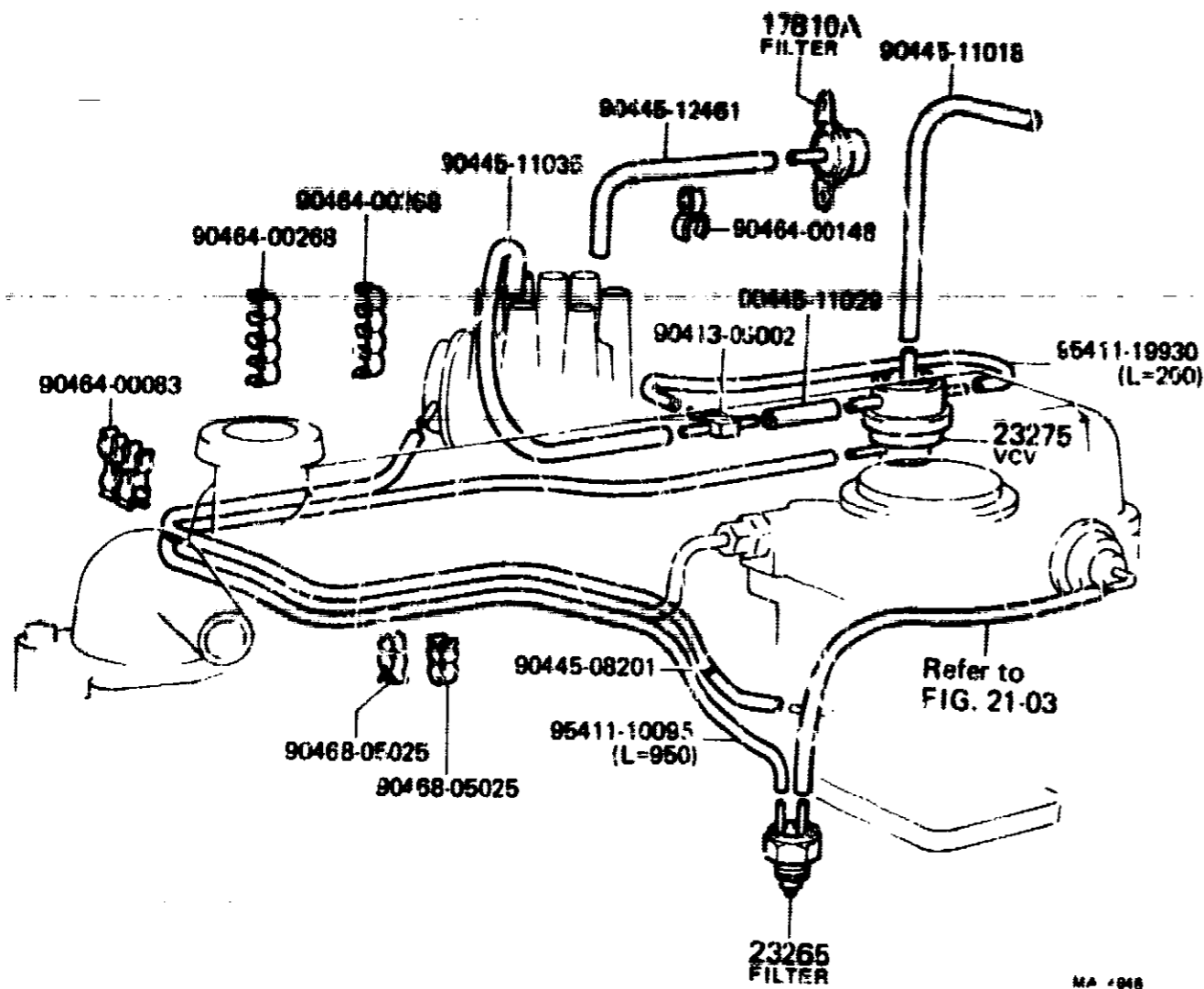
PROD. DATE	MODELS	DESCRIPTION	PART NUMBER	QTY	REV. REF. CODE		PROD. DATE	MODELS	DESCRIPTION	PART NUMBER	REV. REF. CODE	
					FROM	UP TO					FROM	UP TO
		1 17171   GASKET, INTAKE TO EXHAUST MANIFOLD										
8008-8309	2F..FJ40		17171-61010-	2	1							
		1 17172   GASKET, MANIFOLD TO CYLINDER HEAD										
8008-8309	2F..FJ40		17172-61030-	1	1							
8008-8110	1B..BJ42		17172-56020-	4	1	6						
			(17172-56021-									
8110-8408	3B..BJ42		17172-56021-	1	7							
			(17172-56022-									
8408-8410	3B..BJ42		17172-56022-	1		80						
		1 17173   GASKET, EXHAUST MANIFOLD TO HEAD										
8008-8208	3B..BJ42		17173-56020-	1	1							
			(17173-56021-									
8208-8301	3B..BJ42		17173-56021-	1								
			(17173-56022-									
8301-8408	3B..BJ42		17173-56022-	1								
8408-8410	3B..BJ42		17173-56022-	1		90						
		1 17203   SHAFT SUB-ASSY, MANIFOLD HEAT CONTROL										
8008-8209	2F..FJ40		17232-61013-	1	1	26						
8209-8309	2F..FJ40		17232-61014-	1	27							
		1 17203A   SPRING, COMPRESSION (FOR HEAT CONTROL SHAFT)										
8209-8309	2F..FJ40..USA		90501-08022-	1	27							
		1 17231   VALVE, MANIFOLD HEAT CONTROL										
8008-8309	2F..FJ40		17231-61012-	1	1							
		1 17231B   COIL, HEAT CONTROL VALVE										
8008-8209	2F..FJ40		90510-08001-	1	1	26						
8209-8309	2F..FJ40		90510-08002-	1	27							

FIG. 17-08 VACUUM PIPING

1-F5

GENUINE TOYOTA PARTS

(8008-8110)2F..CND



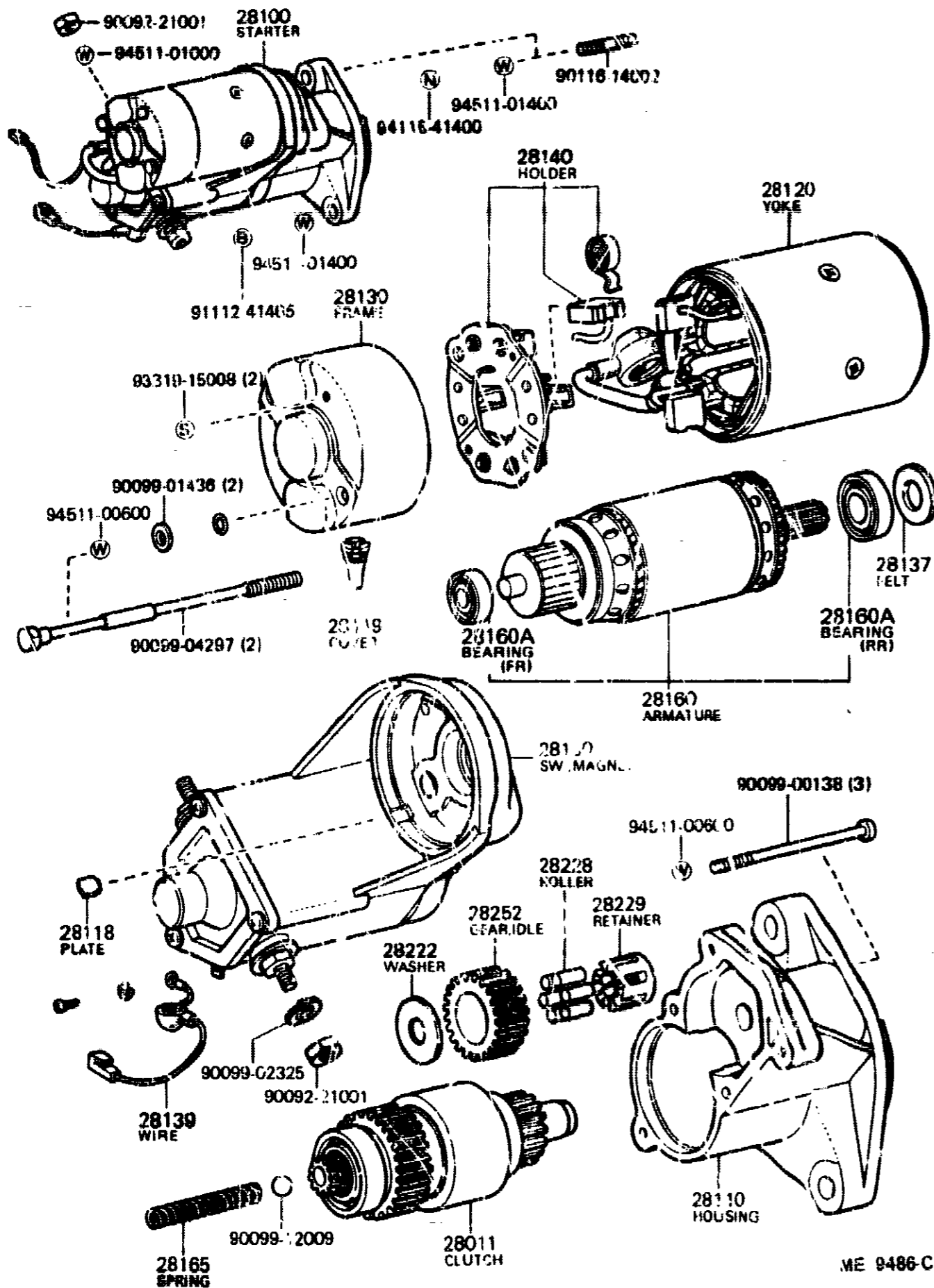
PRD. DATE	MODELS	DESCRIPTION	R/P	PART NUMBER	REV. REF. CODE	
					FRONT	UP 1?
FIG.	17-08 VACUUM PIPING					
	1 17303B	PIPE SUB-ASSY, AIR, NO.1		17303-61011-	1	1
8008-8309	2F..FJ40..USA					
	1 17650	VALVE ASSY, VACUUM SWITCHING		89570-60050-	1	1
8008-8309	2F..FJ40..USA	AI				
8008-8309	2F..FJ40..USA	EGR		89570-60060-	1	1
8008-8309	2F..FJ40..USA	CCD AI		89570-60070-	1	1
	1 17691	BRACKET, VACUUM CONTROL VALVE, NO.1		17691-61011-	1	1
8008-8309	2F..FJ40..USA					
	1 17810A	FILTER ASSY, AIR		17810-61010-	1	1
8008-8309	2F..FJ40					
	1 23262	VALVE, BIMETAL VACUUM SWITCHING, NO.1		90925-05035-	1	1
8008-8309	2F..FJ40..USA					
	1 23263	VALVE, BIMETAL VACUUM SWITCHING, NO.2		90925-05046-	1	1
8008-8309	2F..FJ40..USA					
	1 23265	FILTER, GAS, NO.1		90917-11023-	1	1
8008-8110	2F..FJ40..CND					
8008-8309	2F..FJ40..USA			90917-11024-	1	1
	1 23275	VALVE, VACUUM CONTROL, NO.1		90925-03058-	2	1
8008-8309	2F..FJ40					
	1 23281	VALVE, VACUUM TRANSMITTING, NO.1		90925-01021-	2	1
8008-8309	2F..FJ40..USA					
	1 23282	VALVE, VACUUM TRANSMITTING, NO.2		90925-01029-	1	1
8008-8309	2F..FJ40..USA					
	1 23285A	VALVE, CHECK, NO.1		90917-10038-	1	1
8008-8309	2F..FJ40..USA					

FIG. 19-04 STARTER

1-F-6

GENUINE TOYOTA PARTS

(8008- )3B



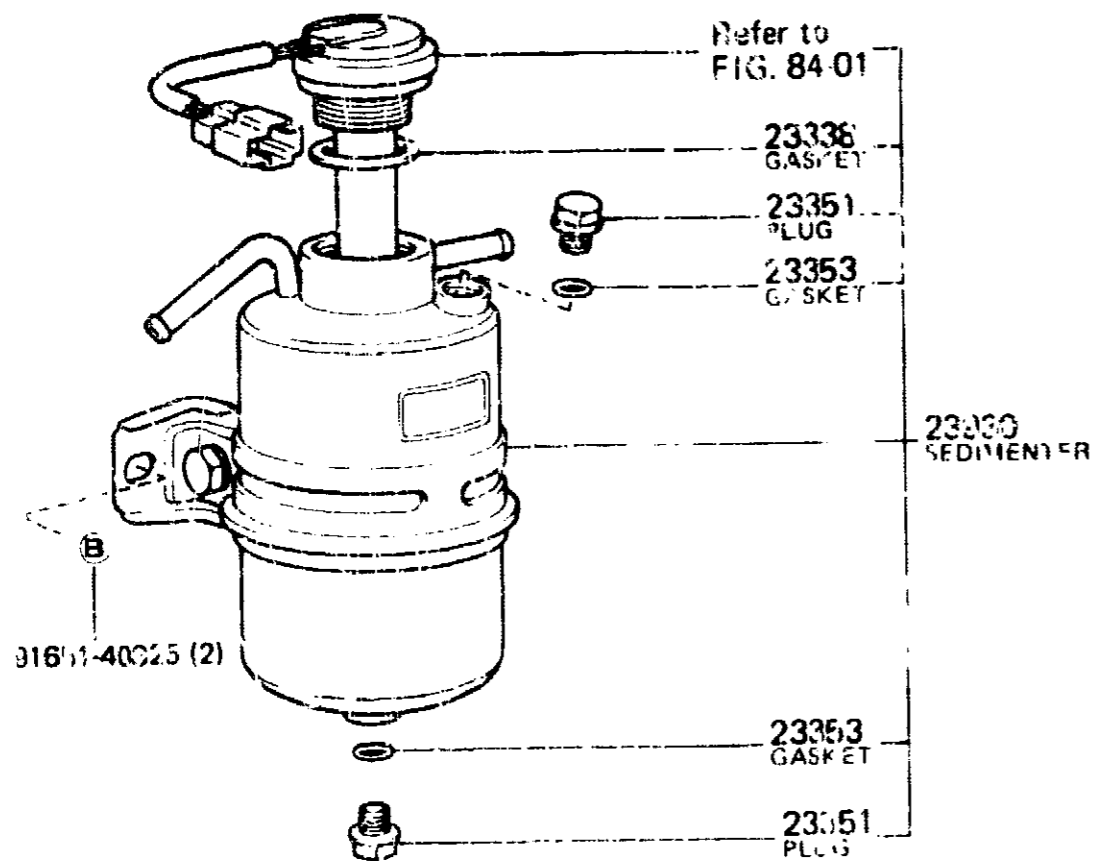
PROD. DATE	MODELS	DESCRIPTION	PART NUMBER	QTY	REV. REF. CODE	
					FROM	UP TO
FIG.	19-04 STARTER					
	1 24011	CLUTCH SUB-ASSY, STARTER				
8008-8206	2F..FJ40	12V 1.0KW	28011-60041-	1	1	
8206-8309	2F..FJ40	12V 1.0KW	28011-26042-	1		
8008-8410	3B..BJ42	24V 4.5KW	28011-54010-	1	1	80
	1 28012	BEARING SUB-ASSY, CENTER				
8008-8206	2F..FJ40	12V 1.0KW	28126-33021-	1	1	
	1 28100	STARTER ASSY				
8008-8110	2F..FJ40..CND	12V 1.0KW	28100-60062-	1	1	
8008-8206	2F..FJ40..USA	12V 1.0KW	28100-60042-	1	1	
8206-8309	2F..FJ40..USA	12V 1.0KW	28100-60070-	1		
8008-8410	3B..BJ42	24V 4.5KW	28100-56070- (28100-56071-)	1	1	80
	1 28110	HOUSING ASSY, STARTER DRIVE				
8008-8206	2F..FJ40	12V 1.0KW	28110-60042-	1	1	
8206-8309	2F..FJ40	12V 1.0KW	28110-60070-	1		
8008-8410	3B..BJ42	24V 4.5KW	28115-56080-	1	1	80
	1 28111	BUSH (FOR STARTER HOUSING)				
8008-8206	2F..FJ40	12V 1.0KW	28111-51011-	1	1	
	1 28113	LEVER, STARTER PINION DRIVE				
8008-8206	2F..FJ40	12V 1.0KW	28113-41011-	1	1	
	1 28114	PIN, STARTER DRIVE LEVER SET				
8008-8206	2F..FJ40	12V 1.0KW	28114-41011-	1	1	
	1 28117	RUBBER (FOR STARTER YOKE)				
8008-8206	2F..FJ40	12V 1.0KW	28117-41020-	1	1	
	1 28116	PLATE (FOR STARTER YOKE)				
8008-8410	3B..BJ42	24V 4.5KW	28116-77090-	1	1	80

PR'D. DATE	MODELS	DESCRIPTION	PART NUMBER	QTY	REV. REF. CODE		PR'D. DATE	MODELS	DESCRIPTION	PART NUMBER	QTY	REV. REF. CODE	
					FROM	UP TO						FROM	UP TO
	↑ 23631 ↓	WASHER (FOR NOZZLE HOLDER PRESSURE SPRING)						↑ 23770 ↓	HOSE, FUEL				
	CONTINUED												
8008-8410	3B..BJ42	T=1.10	23633-46010-	33	1	80	8008-8012	3B..BJ42	XH,L=130	95332-04020-	1	1	
8008-8410	3B..BJ42	T=1.15	23634-46010-	33	1	80	8012-8410	3B..BJ42	XH,L=110		1		80
8008-8410	3B..BJ42	T=1.20	23635-46010-	33	1	80							
8008-8410	3B..BJ42	T=1.25	23636-46010-	33	1	80							
8008-8410	3B..BJ42	T=1.30	23637-46010-	33	1	80							
8008-8410	3B..BJ42	T=1.35	23638-46010-	33	1	80							
8008-8410	3B..BJ42	T=1.40	23639-46010-	33	1	80							
8008-8410	3B..BJ42	T=1.45	23641-46010-	33	1	80							
8008-8410	3B..BJ42	T=1.50	23642-46010-	33	1	80							
8008-8410	3B..BJ42	T=1.55	23643-46010-	33	1	80							
8008-8410	3B..BJ42	T=1.60	23644-46010-	33	1	80							
8008-8410	3B..BJ42	T=1.65	23645-46010-	33	1	80							
8008-8410	3B..BJ42	T=1.70	23646-46010-	33	1	80							
8008-8410	3B..BJ42	T=1.75	23647-46010-	33	1	80							
8008-8410	3B..BJ42	T=1.80	23648-46010-	33	1	80							
8008-8410	3B..BJ42	T=1.85	23649-46010-	33	1	80							
8008-8410	3B..BJ42	T=1.90	23651-46010-	33	1	80							
8008-8410	3B..BJ42	T=1.95	23652-46010-	33	1	80							
	↑ 23654 ↓	WASHER (FOR RING PACKING)											
8008-8410	3B..BJ42		23654-46010-	33		80							
	↑ 23760 ↓	PIPE ASSY, NOZZLE LEAKAGE											
8008-8204	3B..BJ42		23760-56020- (23760-56021-)	1	1								
8204-8208	3B..BJ42		23760-56021- (23760-56022-)	1									
8208-8410	3B..BJ42		23760-56022-	1		80							
	↑ 23770 ↓	PIPE ASSY, NOZZLE LEAKAGE, NO.2											
8008-8408	3B..BJ42		23770-56050-	1	1								
8408-8410	3B..BJ42		23770-56050-	1		80							

\*H,L=Cut hose to length as specified in remarks

(8008- )3B

ILLUSTR. NO. 20F2



MF 2545-B

PROD. DATE	MODELS	DESCRIPTION	PART NUMBER	QTY	REV. REF. CODE	
					FROM	UP TO
FIG.	23-02 FUEL FILTER					
8008-8309	2F. FJ40	1 23300   FILTER ASSY, FUEL	23300-38010-	1		1
8008-8410	3B. BJ42	1 23300A   UNION, NIPPLE (FOR FUEL FILTER INLET)	90401-14060-	1		80
8008-8410	3B. BJ42	1 23300D   FILTER ASSY, FUEL (FOR DIESEL)	23300-56040-	1		90
8008-8410	3B. BJ42	1 23301   BODY SUB-ASSY, FUEL FILTER	23311-56000-	1		80
8008-8410	3B. BJ42	1 23303   ELEMENT SUB-ASSY, FUEL FILTER	23303-56031-	1		80
8008-8410	3B. BJ42	1 23312   GASKET, FILTER BOWL	23312-56021-	1		80
8008-8201	3B. BJ42	1 23319   SCREW, FUEL PIPE FOLLOW	23319-46010-	1		1
8201-8410	3B. BJ42		23319-48010-	1		80
8008-8410	3B. BJ42	1 23338   GASKET (FOR WARNING SWITCH)	23338-54010-	1		80
8008-8201	3B. BJ42	1 23351   PLUG, AIR VENT	23351-46010-	1		1
8008-8410	3B. BJ42	SEDIMENTER	20351-54010-	2		80
8201-8410	3B. BJ42		47547-12030-	1		80
8008-8201	3B. BJ42	1 23353   RING, O (FOR AIR VENT PLUG)	23353-46010-	1		1
8008-8410	3B. BJ42	SEDIMENTER	23353-54010-	2		80
8008-8309	2F. FJ40	1 23921   SUPPORT, FUEL FILTER	23921-61031-	1		1

PART NUMBER	LOCATION	PART NUMBER	LOCATION	PART NUMBER	LOCATION	PART NUMBER	LOCATION	PART NUMBER	LOCATION	PART NUMBER	LOCATION
45721-60010-	2-J6	47354-60020-	2-M7	48211-60122-	2-G8	51495-60100-	3-C1	53167-60030-	3-A2	55101-90870-	3-B2
45807-60050-	2-L5	47355-60040-	2-M7	-60207-	2-G8	51701-60020-	3-B1	-90301-	3-A2	-90875-	3-B2
45870-60040-	2-J5	47361-60071-	2-M7	48212-60122-	2-G8	-90300-	3-J2	53168-90301-	3-A2	-90886-	3-B2
45897-17930-	2-L5	47378-60010-	2-M7	-60202-	2-G8	51707-90304-	3-J2	53169-60020-	3-A2	55106-90801-	2-L6
46210-60021-	2-J6	-60030-	2-M7	48213-60172-	2-G8	51708-90304-	3-J2	53160-90300-	3-A2	55142-90300-	3-B2
46217-10020-	2-J6	47447-60010-	2-G7	-60202-	2-G8	51741-60011-	3-B1	53211-60011-	3-A2	55203-90800-	3-L2
46243-60010-	2-J6	47449-30020-	2-G7	48215-60173-	2-G8	51751-60020-	3-B1	-60012-	3-A2	-90801-	3-L2
46341-31010-	2-J6	47491-20011-	2-M7	-60202-	2-G8	51752-60020-	3-B1	-60021-	3-A2	55298-30010-	3-G5
46410-60130-	2-J6	47509-60010-	2-M7	48216-60122-	2-G8	51903-90800-	3-D1	-60042-	3-B2	55301-90810-	3-D2
-60131-	2-J6	47547-12010-	1-G1	-60202-	2-G8	-90803-	3-D1	53311-90311-	3-K1	-90817-	3-D2
46443-12020-	2-J6	-12030-	1-F8	48247-36020-	2-D8	51917-90301-	3-D1	-90801-	3-F1	-90819-	3-D2
46451-60011-	2-J6	-20030-	2-E7	-60121-	2-G8	51926-90301-	3-D1	-90818-	3-F1	-90850-	3-D2
-60012-	2-J6	-60020-	2-M7	48284-60062-	2-D8	51928-90300-	3-D1	-90810-	3-K1	-90863-	3-D2
46458-30020-	2-K6	47550-69105-	2-M7	-60062-	2-D8	51929-90300-	3-E1	53163-90801-	3-K1	-90866-	3-D2
46469-60020-	2-K6	47611-60010-	2-M7	48304-60010-	2-D8	51950-90300-	3-E1	-90802-	3-K1	-90858-	3-D2
47043-60030-	2-G7	47612-60010-	2-M7	-60020-	2-D8	51935-90800-	3-D1	-90805-	3-K1	55321-90300-	3-D2
47044-60010-	2-G7	47616-30010-	2-M7	48306-60040-	2-H8	51937-90302-	3-D1	-90806-	3-K1	55381-60010-	3-D2
47061-30010-	2-H7	47624-60010-	2-M7	48303-60022-	2-E8	51938-90300-	3-E1	-90807-	3-K1	55402-90800-	3-D2
-60011-	2-G7	47625-60010-	2-M7	48411-60032-	2-E8	51941-90300-	3-D1	53304-90301-	3-K1	55403-90800-	3-D2
47062-60010-	2-H7	47626-60010-	2-H7	48414-50021-	2-H8	51954-90300-	3-D1	-90802-	3-K1	55406-90300-	3-D2
-60011-	2-H7	47628-35010-	2-H7	48415-60021-	2-H8	51955-90800-	3-D1	-90801-	3-K1	55405-90300-	3-D2
47101-60061-	2-L6	47633-35010-	2-H7	48475-60020-	2-E8	51961-60010-	3-C1	-90806-	3-K1	-90807-	3-D2
47159-30110-	2-L7	47643-60010-	2-H7	-60020-	2-E8	51973-90300-	3-C1	-90807-	3-K1	-90808-	3-D2
47190-12030-	2-L7	47644-60010-	2-H7	48511-69036-	2-E8	51980-69015-	3-C1	-90808-	3-K1	55406-90300-	3-D2
-14020-	2-L7	47655-60010-	2-H7	48512-60010-	2-E8	51985-60011-	3-D1	53316-90800-	3-K1	55407-90300-	3-D2
47201-60130-	2-M6	47703-60020-	2-F7	48513-60010-	2-E8	52111-60030-	3-H1	-90801-	3-L1	55429-90800-	3-D2
47202-60040-	2-M6	47704-60020-	2-F7	48521-36040-	2-E8	52116-60010-	3-H1	53334-90303-	3-K1	55434-30020-	3-D2
47231-20010-	2-E1	47730-60021-	2-E7	48531-69047-	2-H8	52131-60010-	3-H1	53337-90301-	3-A1	55446-60010-	3-D2
-30010-	2-A7	47731-30020-	2-E7	48532-60010-	2-H8	52141-60011-	3-H1	53339-90301-	3-L1	55449-60010-	3-D2
47232-30010-	2-A7	47732-30010-	2-E7	51201-60274-	3-A1	52142-60011-	3-H1	53359-90301-	3-L1	55457-90800-	3-D2
47234-14010-	2-A7	47732-30010-	2-E7	-60275-	3-A1	52152-60011-	3-H1	53393-90800-	3-L1	55461-90351-	3-D2
47264-22010-	2-A7	47748-60010-	2-E7	-60770-	3-A1	52153-60011-	3-H1	53394-90800-	3-L1	55477-90800-	3-D2
47265-20050-	2-A7	47750-60021-	2-F7	-60771-	3-A1	52201-90300-	3-F1	53402-90300-	3-M1	55501-90301-	3-E2
-20060-	2-M6	47786-60020-	2-F7	51201-60014-	3-A1	-90301-	3-F1	53410-90301-	3-M1	-90802-	3-E1
47275-22010-	2-A7	47787-60020-	2-F7	-60071-	3-A1	52202-90300-	3-F1	53412-90300-	3-M1	55508-30020-	3-E2
47280-30030-	2-A7	48035-60010-	2-H8	-60072-	3-A1	-60042-	3-A1	53504-90300-	3-L1	55522-90800-	3-D2
47299-14010-	2-A7	48046-60032-	2-G8	51202-60042-	3-A1	-60043-	3-A1	53505-90303-	3-M1	55524-90800-	3-A3
-20010-	2-A7	48047-60032-	2-G8	51203-60015-	3-B1	51203-60015-	3-B1	53506-90300-	3-M1	55533-90801-	3-E2
47311-30320-	2-L7	48048-60030-	2-E8	-60064-	3-B1	-60064-	3-B1	53510-90801-	3-M1	55549-90300-	3-E2
47312-60350-	2-L7	48049-60030-	2-E8	51209-60031-	3-A1	51209-60031-	3-A1	53601-20010-1	3-M1	55560-12020-	3-D2
-60410-	2-L7	48102-60062-	2-D8	51281-60023-	3-A1	51281-60023-	3-A1	52630-90801-	3-M1	55561-90800-	3-E2
47315-60280-	2-L7	-60180-	2-D8	51282-60013-	3-A1	51282-60013-	3-A1	53715-90300-	3-L1	55701-90074-	3-G2
-60290-	2-L7	48103-60180-	2-D8	51308-60012-	3-A1	51308-60012-	3-A1	53721-90300-	3-G6	55702-60090-	3-G2
47316-60160-	2-L7	48110-60062-	2-D8	51309-60012-	3-A1	51309-60012-	3-A1	53753-90300-	3-L1	-90802-	3-G2
-60170-	2-L7	48111-60062-	2-D8	51403-60010-	3-H1	51403-60010-	3-H1	53752-90300-	3-L1	-90805-	3-G2
47321-60000-	2-L7	-60180-	2-D8	-60011-	3-H1	-60011-	3-H1	53761-90300-	3-L1	-90806-	3-G2
47322-60250-	2-L7	48112-60012-	2-D8	51409-60010-	3-H1	51409-60010-	3-H1	53762-90300-	3-L1	55706-90305-	3-C3
-60310-	2-L7	-60180-	2-D8	51421-60012-	3-H1	-90305-	3-J1	53770-90301-	3-L1	-90310-	3-C3
47323-60050-	2-L7	48113-60062-	2-D8	-60030-	3-H1	53015-60011-	3-A2	-90344-	3-L1	55707-90311-	3-C3
-60090-	2-L7	48114-60180-	2-D8	51422-60010-	3-B1	-90050-	3-A2	-90348-	3-L1	-90319-	3-C3
-60091-	2-L7	48115-60063-	2-D8	-60030-	3-A2	53018-60012-	3-A2	90804-	3-L1	-90912-	3-C3
47325-60020-	2-L7	48116-60063-	2-D8	51433-60020-	3-B1	-60030-	3-A2	53820-90800-	3-L1	55708-60011-	3-F2
-60040-	2-L7	-60180-	2-D8	-60021-	3-B1	53106-90104-	3-J1	-90083-	3-L1	55709-60011-	3-F2
47326-60020-	2-L7	48117-60062-	2-D8	51434-60030-	3-B1	-90403-	3-J1	-90088-	3-L1	55786-90301-	3-F2
-60040-	2-L7	-60180-	2-D8	-60031-	3-B1	-90807-	3-J1	-90282-	3-L1	55905-12070-	3-K9
47329-60051-	2-L7	48141-60062-	2-D8	51441-60010-	3-C1	53107-90300-	3-J1	-90286-	3-L1	55956-90300-	3-G2
-60070-	2-L7	-60081-	2-D8	-60040-	3-C1	53111-90300-	3-J1	-90288-	3-L1	55957-90300-	3-G2
47341-60030-	2-M7	48142-60081-	2-F8	51453-60012-	3-C1	53148-90300-	3-J1	-90289-	3-L1	56111-90301-	3-G2
-60031-	2-M7	48147-60061-	2-D8	-60021-	3-C1	53149-90800-	3-J1	53031-90818-	3-D2	-90303-	3-G2
47343-60020-	2-M7	48202-60122-	2-G8	-60021-	3-C1	53154-60010-	3-J1	55101-90507-	3-B2	56121-90301-	3-J2
-60021-	2-M7	-60202-	2-G8	51457-60013-	3-C1	-90800-	3-J1	-90822-	3-B2	56211-90300-	3-G2
47351-60010-	2-M7	48210-60121-	2-G8	-60031-	3-C1	53162-90500-	3-A2	-90838-	3-B2	-90801-	3-G2
-60021-	2-M7	-60201-	2-G8	51464-90800-	3-J1	53166-90301-	3-A2	-90849-	3-B2	-90802-	3-G2
47354-60010-	2-M7	-60201-	2-G8	51495-60032-	3-C1	-90805-	3-K1	-90864-	3-B2	56301-90325-	1-G2

ILLUSTRATED INDEX

2-21 (31-01) 1



Clutch & Release Fork

2-41 (33-01) 2



Transmission Assy

2-51 (33-02) 3



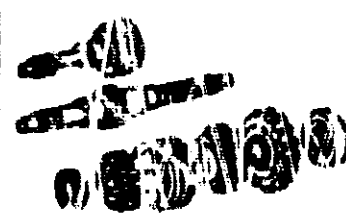
Transmission Case

2-11 (33-04) 4



Speedometer Driven Gear

2-11 (33-05) 5



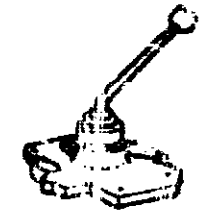
Transmission Gear

2-12 (33-07) 6



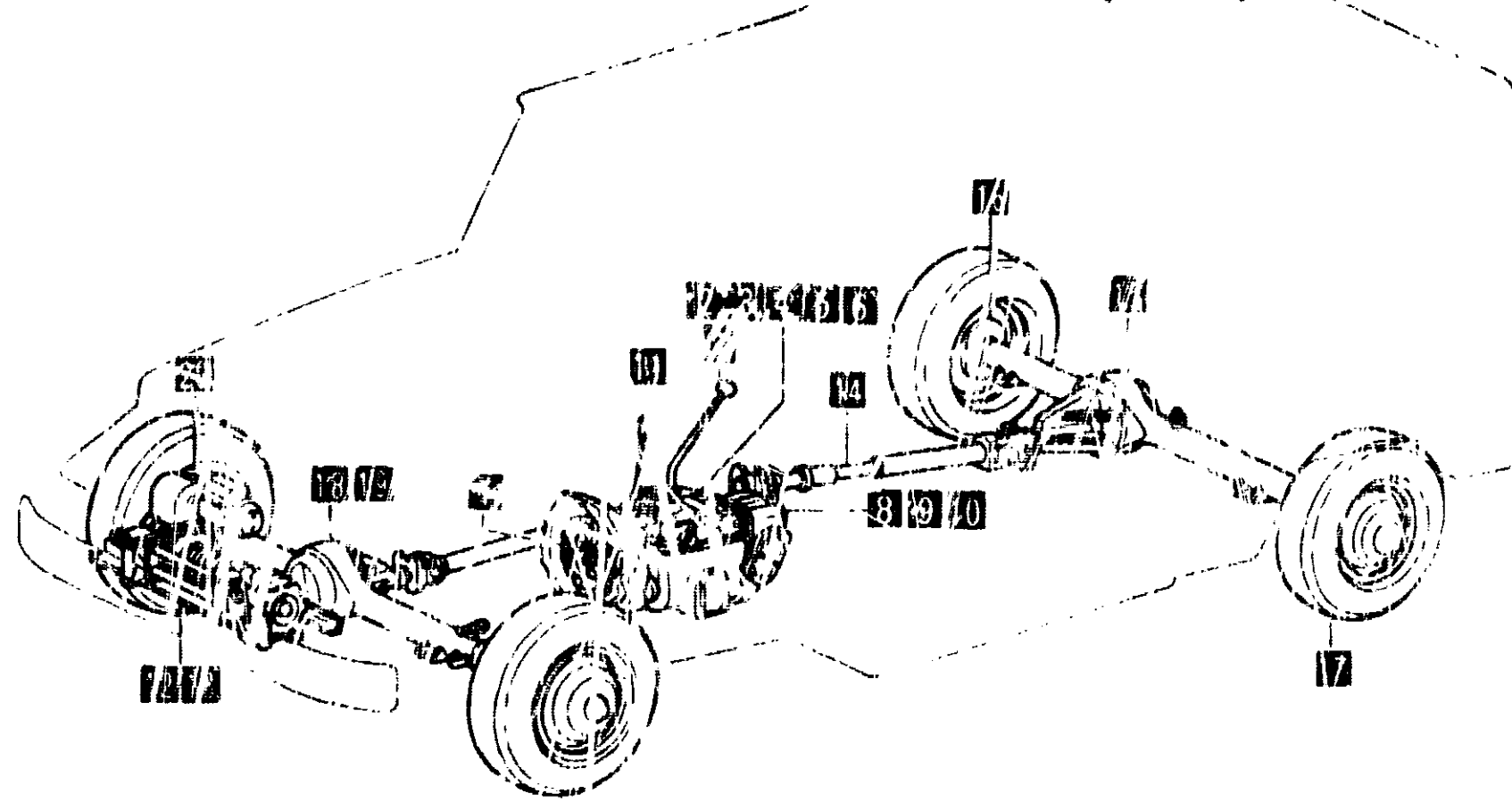
Gear Shift Fork

2-12 (33-12) 7

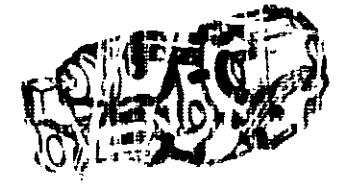


Shift Lever & Retainer

POWER TRAIN - CHASSIS GROUP (1/2)



2-42 (33-03) 8



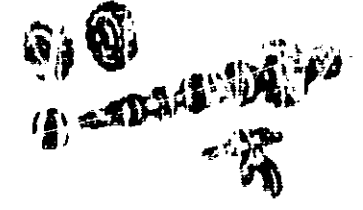
Axle Assy

2-42 (36-09) 9



Transfer Case

2-13 (35-01) 10



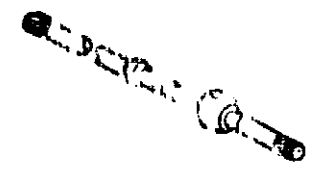
Transfer Gear

2-D5 (43-03) 11



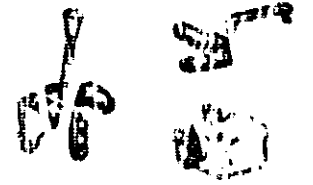
Front Axle Nut

2-C5 (43-02) 12



Drive Shaft

2-D3 (30-11) 13



Trans or Lever

2-14 (43-01) 14



Front Axle Housing

2-K4 (41-03) 15



Front Axle & Cap

2-F4 (41-02) 16



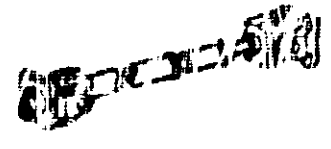
Rear Axle Assy

2-C6 (41-01) 17



Rear Axle Housing

2-F3 (37-01) 18



Propeller Shaft

2-15 (38-02) 19



Wrench

2-15 (38-01) 20



Wrench Kit



PROD. DATE	MODELS	DESCRIPTION	PART NUMBER	QTY	REV. REF. CODE	
					FROM	UP TO
FIG.	11-84	CYLINDER HEAD				
		↑				
		↑ 11101   HEAD SUB-ASSY, CYLINDER				
		↑				
8008-8110	2F..FJ40..CND		11101-61021-	1	6	
8008-8309	2F..FJ40..USA		11101-61040-	1	1	
8008-8110	3B..BJ42		* 11101-59095- (11101-59096-	1	1	6
8110-8401	3B..BJ42		* 11101-59096-	1	7	
8401-8406	3B..BJ42		* 11101-59012- (11101-59013-	1		
8406-8410	3B..BJ42		11101-58013-	1	80	
		↑				
		↑ 11101A   BOLT (FOR CYLINDER HEAD SET)				
		↑				
8008-8309	2F..FJ40	X13-1.75PX 120.4-27	90910-02050-	15	1	
8008-8410	3B..BJ42	X12-1.25PX 119-25	90910-(204)-	16	1	80
		↑				
		↑ 11101G   UNION (FOR CYLINDER HEAD)				
		↑				
8008-8309	2F..FJ40		90404-16.00-	1	1	
		↑				
		↑ 11115   GASKET, CYLINDER HEAD				
		↑				
8008-8309	2F..FJ40		11115-61010-	1	1	
8008-8308	3B..BJ42		* 11115-58030- (11115-58011-	1	1	
8308-8310	3B..BJ42		* 11115-58011- (11115-58012-	1		
8310-8408	3B..BJ42		* 11115-58012- (11115-58040-	1		
8408-8410	3B..BJ42		11115-58040-	1	80	
		↑				
		↑ 11116A   PLUG, TIGHT, NO.1				
		↑				
8008-8309	2F..FJ40	OD=20	96411-40000-	1	1	
8008-8410	3B..BJ42	OD=22	96411-41200-	4	1	80
		↑				
		↑ 11116B   PLUG, TIGHT, NO.2				
		↑				
8008-8309	2F..FJ40	OD=25	96411-42500-	6	1	
8008-8410	3B..BJ42	OD=25	96411-42500-	4	1	80

PROD. DATE	MODELS	DESCRIPTION	PART NUMBER	QTY	REV. REF. CODE	
					FROM	UP TO
		↑				
		↑ 11116C   PLUG, TIGHT, NO.3				
		↑				
8008-8410	3B..BJ42	OD=21	90331-21001-	5	1	80
		↑				
		↑ 11116D   PLUG, TIGHT, NO.4				
		↑				
8008-8410	3B..BJ42	OD=26	96411-12800-	3	1	80
		↑				
		↑ 11116E   PLUG, TIGHT, NO.5				
		↑				
8008-8410	3B..BJ42	OD=40	* 90331-40024- (96411-4400)-	1	1	80
		↑				
		↑ 111174   PLUG, W/ HEAD TAPER SCREW, NO.1				
		↑				
8008-8211	2F..FJ40		* 90345-54004- (90345-54005-	1	1	
8008-8410	3B..BJ42		90345-54005-	1	1	80
		↑				
		↑ 11118A   PLUG, STRAIGHT, NO.1				
		↑				
8008-8309	2F..FJ40		90334-07004-	1	1	
		↑				
		↑ 11122   BUSH, VALVE GUIDE INTAKE				
		↑				
8008-8309	2F..FJ40	STD	11122-61011-	6	1	
8008-8309	2F..FJ40	CLS 0.05	11123-61011-	6	1	
8008-8308	3B..BJ42	STD	* 11122-56020- (11122-56021-	4	1	
8308-8410	3B..BJ42	STD	11122-56021-	4		80
		↑				
		↑ 11126   BUSH, VALVE GUIDE EXHAUST				
		↑				
8008-8309	2F..FJ40	STD	11126-61011-	6	1	
8008-8309	2F..FJ40	CLS 0.05	11127-61011-	6	1	
8008-8308	3B..BJ42	STD	* 11122-56020- (11122-56021-	4	1	
8308-8410	3B..BJ42	STD	11122-56021-	4		80
		↑				
		↑ 11131   SEAT, VALVE INTAKE				
		↑				
8008-8309	2F..FJ40	STD	11131-60010-	6	1	
8008-8309	2F..FJ40	CLS 0.02	11132-60030-	6	1	
		↑				
		↑ 11135   SEAT, VALVE EXHAUST				
		↑				
8008-8309	2F..FJ40	STD	11135-60010-	6	1	

⌀-P X ⌀-C  
Outside diameter--Pitch x Bolt length--Thread length

FIG. 13-01

GENUINE TOYOTA PARTS

1-G2

GENUINE TOYOTA PARTS

PROD. DATE	MODELS	DESCRIPTION	P/P	PART NUMBER	REV. REF. CODE		PROD. DATE	MODELS	DESCRIPTION	P/P	PART NUMBER	REV. REF. CODE	
					FROM	UP TO						QTY	FROM
FIG.	13-01	CRANKSHAFT & PISTON											
		↑ 11011 ↓						↑ 13101 ↓					
		↑ 11011 ↓						↑ 13101 ↓					
8408-8410	3B..BJ42	WASHER SET, CRANKSHAFT THRUST		11011-56010-	1	80	8008-8309	2F..FJ40	STD		13101-61011-	6	1
8408-8410	3B..BJ42	STD		11011-56010-	1	80	8008-8309	2F..FJ40	Q/S 0.50		13103-61011-	6	1
8408-8410	3B..BJ42	Q/S 0.125		11012-56010-	1	80	8008-8309	2F..FJ40	Q/S 1.00		13105-61011-	6	1
8408-8410	3B..BJ42	Q/S 0.25		11013-56010-	1	80	8008-8309	2F..FJ40	Q/S 1.50		13107-61011-	6	1
		↑ 11702 ↓					8008-8408	3B..BJ42	STD		13101-58011-	4	1
		↑ 11702 ↓					8408-8410	3B..BJ42	STD		13101-58012-	4	80
8008-8309	2F..FJ40	BEARING SET, CRANKSHAFT		11702-60013-	1	1							
8008-8309	2F..FJ40	STD		11702-60013-	1	1							
8008-8309	2F..FJ40	U/S 0.05		11703-60013-	1	1							
8008-8309	2F..FJ40	U/S 0.25		11704-60013-	1	1							
8008-8309	2F..FJ40	U/S 0.50		11705-60013-	1	1							
8008-8408	3B..BJ42	STD		11702-56010-	1	1							
8008-8408	3B..BJ42	U/S 0.25		11704-56010-	1	1							
8008-8408	3B..BJ42	U/S 0.50		11705-56010-	1	1							
8008-8408	3B..BJ42	U/S 1.00		11707-56010-	1	1							
8408-8410	3B..BJ42	U/S 0.25		11707-56020-	1	80							
8408-8410	3B..BJ42	U/S 0.50		11705-56020-	1	80							
8408-8410	3B..BJ42	U/S 1.00		11707-56020-	1	80							
		↑ 11711 ↓											
		↑ 11711 ↓											
8408-8410	3B..BJ42	BEARING, CRANKSHAFT		11701-56010-01	5	80							
8408-8410	3B..BJ42	MARK 1"		11701-56010-01	5	80							
8408-8410	3B..BJ42	MARK 2"		11701-56010-02	5	80							
		↑ 13011 ↓											
		↑ 13011 ↓											
8008-8309	2F..FJ40	RING SET, PISTON		13011-61010-	1	1							
8008-8309	2F..FJ40	STD		13011-61010-	1	1							
8008-8309	2F..FJ40	Q/S 0.50		13013-61010-	1	1							
8008-8309	2F..FJ40	Q/S 1.00		13015-61010-	1	1							
8008-8309	2F..FJ40	Q/S 1.50		13017-61010-	1	1							
8008-8408	3B..BJ42	STD		13011-58010-	1	1							
8408-8410	3B..BJ42	STD		13011-58011-	1	80							
		↑ 13041 ↓											
		↑ 13041 ↓											
8408-8410	3B..BJ42	BEARING, CONNECTING ROD		13041-58010-01	4	80							
8408-8410	3B..BJ42	MARK 1"		13041-58010-01	4	80							
8408-8410	3B..BJ42	MARK 2"		13041-58010-02	4	80							

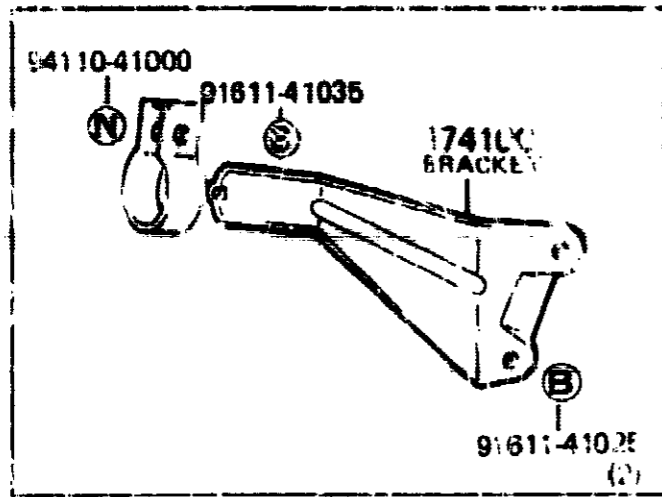


FIG. 17-02 EXHAUST PIPE

1-G4

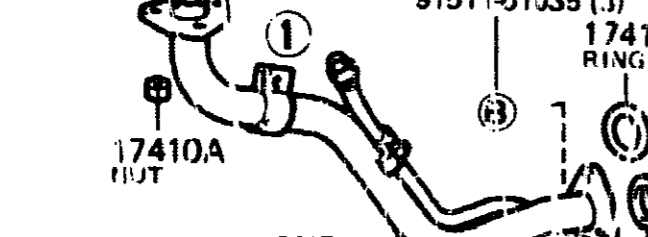
(8008-8309)2F

The exhaust systems and parts listed herein have been certified as complying with the California Vehicle and Administrative Codes Noise Regulation.

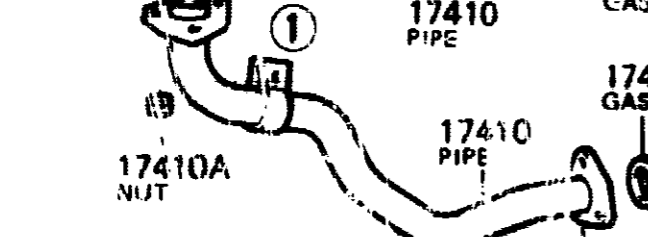


①  
USA

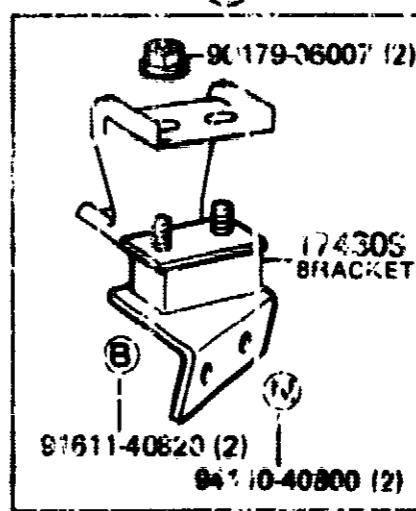
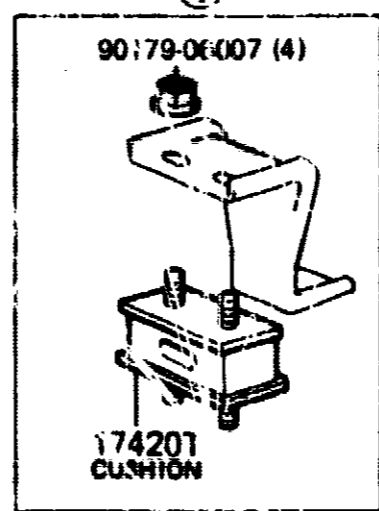
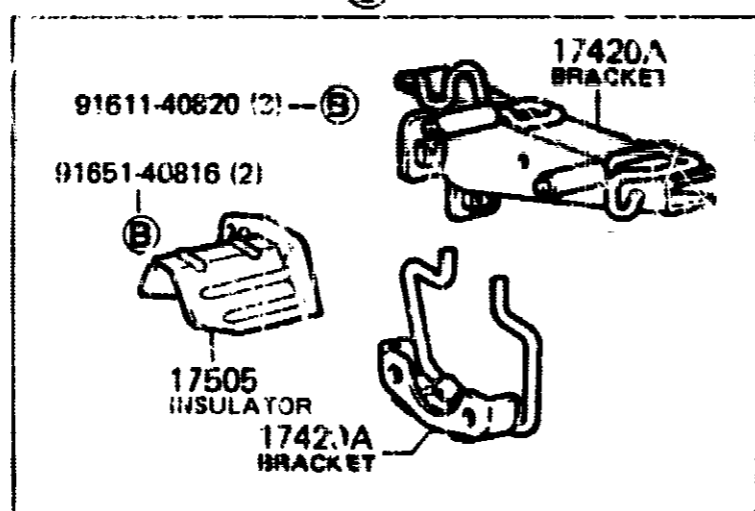
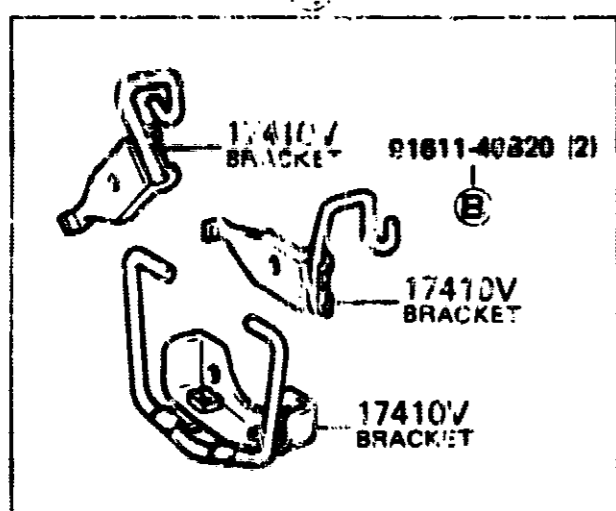
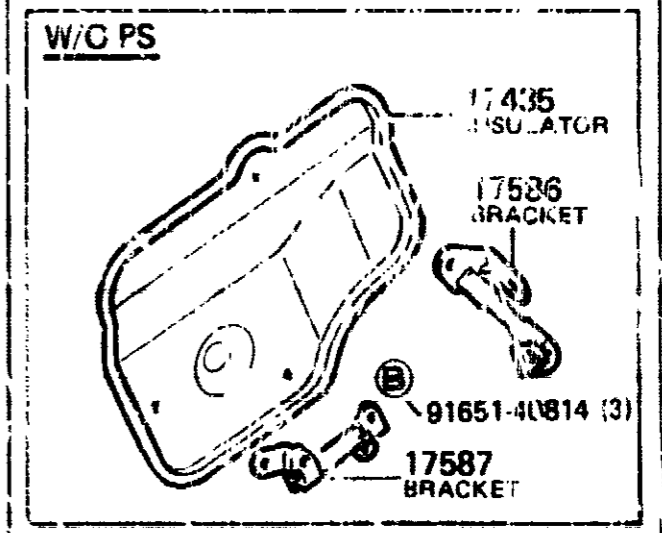
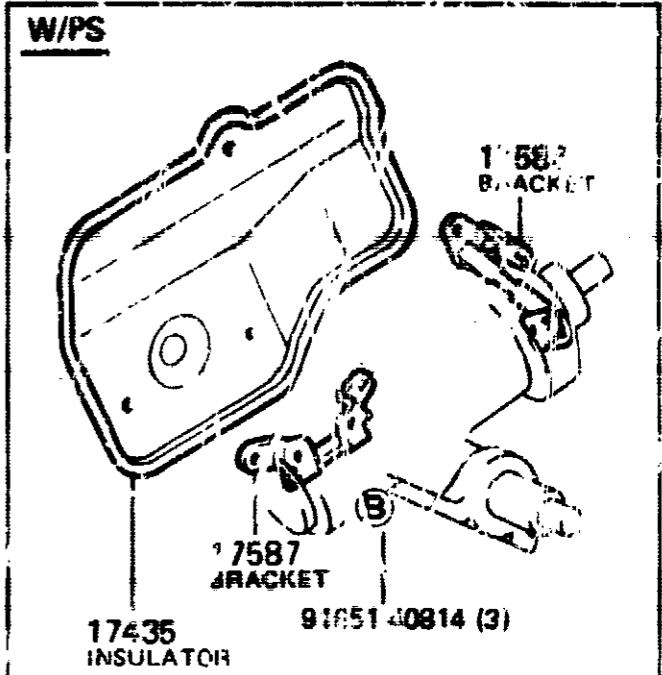
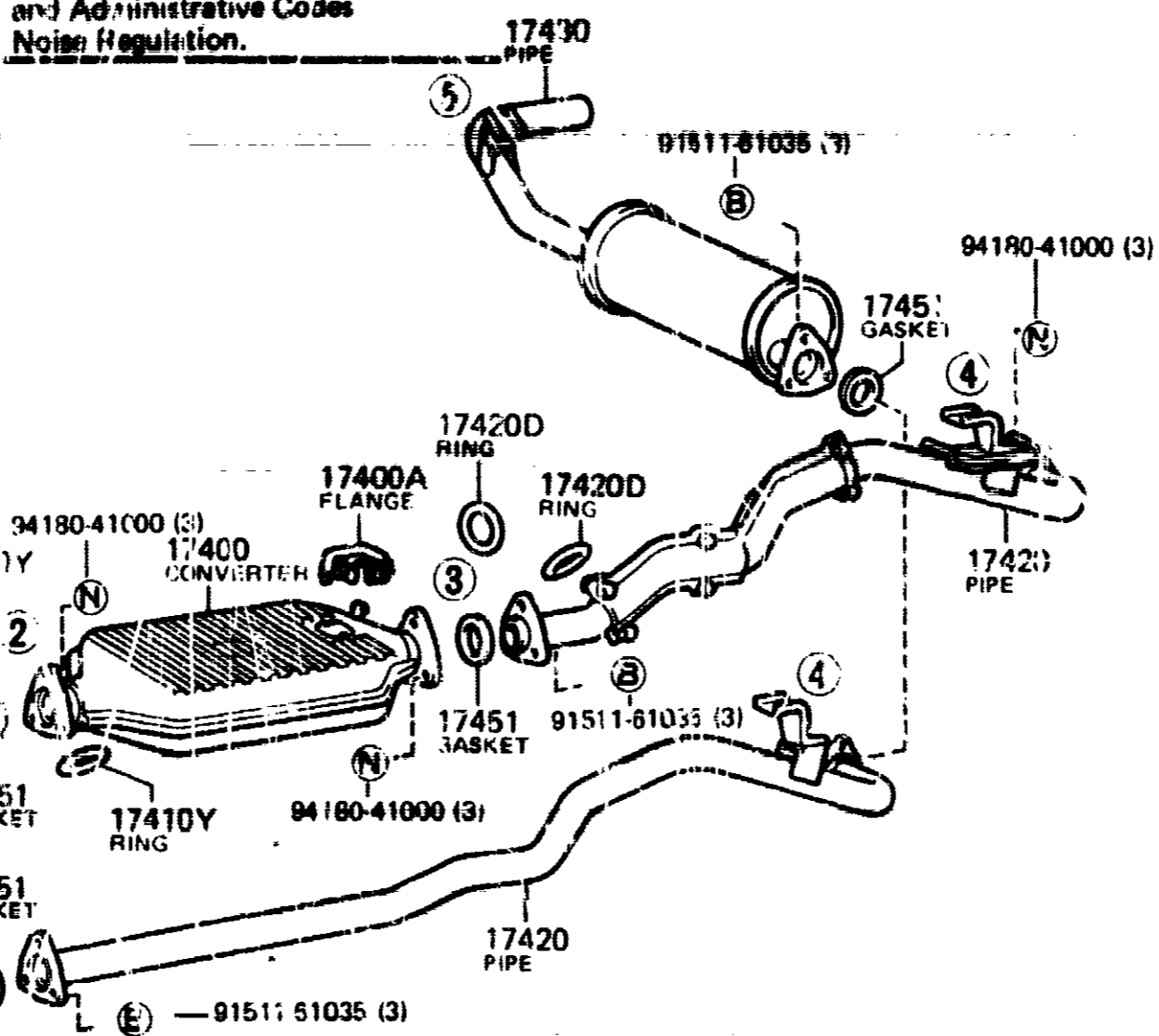
17410B GASKET



CND



94180-41000 (3)



PROD. DATE	M O D E L S	DESCRIPTION	P A R T N U M B E R	Q T Y	REV. REF. CODE	
					FROM	UP TO
8008-8309	2F..FJ40..USA	↑ 25709   VALVE SUB-ASSY, HIGH ALTITUDE COMPENSATOR	25709-61010-	1	1	
		↑ 25709B   HOSE (FOR HIGH ALTITUDE COMPENSATOR VALVE)				
8008-8309	2F..FJ40..USA		90445-12905-	1	1	

PROD. DATE	M O D E L S	DESCRIPTION	P A R T N U M B E R	Q T Y	REV. REF. CODE	
					FROM	UP TO

PROD. DATE	MODELS	DESCRIPTION	PART NUMBER	REV. REF. CODE	
				FROM	UP TO
	28119	COVER, END FRAME			
8101-8206	2F..FJ40	12V 1.0KW	28199-77090-	1	
8008-8410	3B..BJ42	24V 4.5KW	28119-77090- (28199-77090-)	1	80
	28120	YOKE ASSY, STARTER			
8008-8206	2F..FJ40	12V 1.0KW	28120-42020-	1	
8206-8309	2F..FJ40	12V 1.0KW	28120-26070- (28120-26071-)	1	
8008-8410	3B..BJ42	24V 4.5KW	28120-77090-	1	80
	28121	COIL, STARTER FIELD			
8008-8206	2F..FJ40	12V 1.0KW	28121-42020- (28121-34070-)	1	
	28123	CORE, STARTER POLE			
8008-8206	2F..FJ40	12V 1.0KW	28123-41020-	4	
	28125	BUSH, STARTER CENTER BEARING			
8008-8206	2F..FJ40	12V 1.0KW	28125-41020-	1	
	28130	FRAME ASSY, STARTER COMMUTATOR END			
8008-8101	2F..FJ40	12V 1.0KW	28130-41020-	1	
8101-8206	2F..FJ40	12V 1.0KW	28130-60042-	1	
8206-8309	2F..FJ40	12V 1.0KW	28130-34000-	1	
8008-8410	3B..BJ42	24V 4.5KW	28130-56080-	1	80
	28131	BUSH, COMMUTATOR END FRAME			
8008-8206	2F..FJ40	12V 1.0KW, STD	28131-20010-	1	
8008-8206	2F..FJ40	12V 1.0KW, U/S 0.3	90099-10039-	1	
8008-8206	2F..FJ40	12V 1.0KW, U/S 0.5	90099-10040-	1	
	28132	COVER, STARTER BEARING (FOR DRIVE HOUSING)			
8008-8206	2F..FJ40	12V 1.0KW	28166-41011-	1	

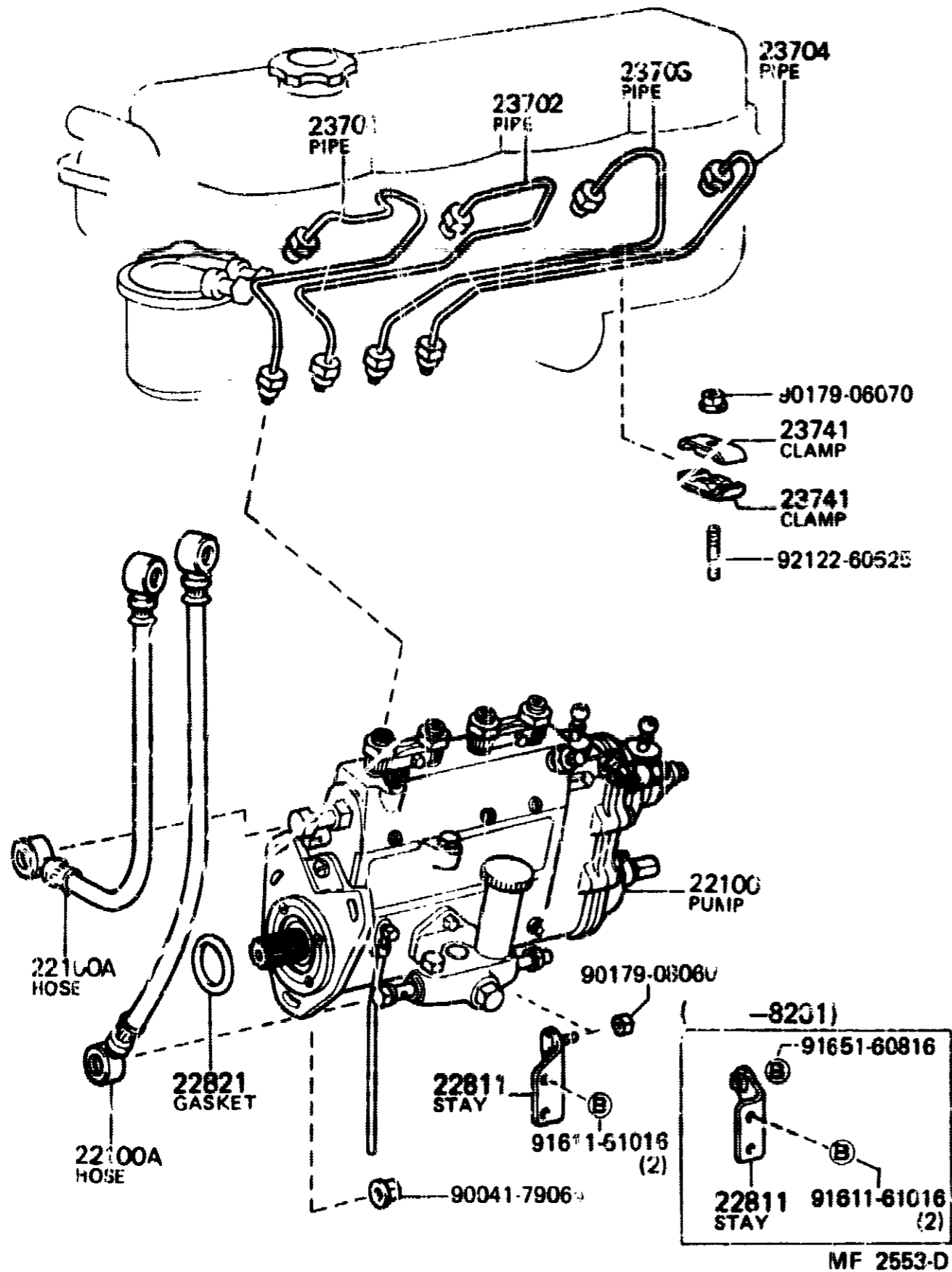
PROD. DATE	MODELS	DESCRIPTION	PART NUMBER	REV. REF. CODE	
				FROM	UP TO
	28133	COVER, BEARING (FOR END FRAME)			
8008-8206	2F..FJ40	12V 1.0KW	28132-40010-	1	
	28136	PLATE, STARTER LOCK			
8008-8206	2F..FJ40	12V 1.0KW	28136-40010-	1	
	28137	WASHER, FELT, STARTER			
8206-8309	2F..FJ40	12V 1.0KW	90099-02323-	1	
8008-8410	3B..BJ42	24V 4.5KW	90099-02205-	1	80
	28138	RUBBER (FOR STARTER BEARING COVER)			
8008-8206	2F..FJ40	12V 1.0KW	28138-40010- (28138-26030-)	1	
	28139	WIRE, LEAD, NO.1 (FOR STARTER)			
8008-8410	3B..BJ42	24V 4.5KW	28139-77090-	1	80
	28140	HOLDER ASSY, STARTER BRUSH			
8008-8206	2F..FJ40	12V 1.0KW	28140-41020-	1	
8206-8309	2F..FJ40	12V 1.0KW	28140-26070-	1	
8008-8410	3B..BJ42	24V 4.5KW	28140-77090-	1	80
	28142	BRUSH, STARTER			
8008-8206	2F..FJ40	12V 1.0KW, HOLDER	28142-10011-	2	
8008-8206	2F..FJ40	12V 1.0KW, YOKE	28142-25011-	2	
	28143	SPRING, STARTER BRUSH			
8008-8206	2F..FJ40	12V 1.0KW	28143-40010- (28143-40040-)	4	
8206-8309	2F..FJ40	12V 1.0KW	90099-17112-	4	
	28150	SWITCH ASSY, MAGNET STARTER			
8206-8309	2F..FJ40	12V 1.0KW	28150-34080-	1	
8008-8110	2F..FJ40..CND	12V 1.0KW	28150-60060-	1	6
8008-8206	2F..FJ40..UNA	12V 1.0KW	28150-60040-	1	
8008-8410	3B..BJ42	24V 4.5KW	28150-56070-	1	80

FIG.22-02 INJECTION PUMP ASSEMBLY

1-G7

GENUINE TOYOTA PARTS

(8008- 13B



PROD. DATE	MODELS	DESCRIPTION	R/P	PART NUMBER	QTY	REV. REF. CODE	
						FROM	UP TO
FIG.	22-02	INJECTION PUMP ASSEMBLY					
	1 22100	PUMP ASSY, INJECTION					
8003-8201	3B..BJ42			22100-58030-	1	1	30
8201-8410	3B..BJ42			22100-58031- (22100-58032- )	1	31	80
	1 22100A	HOSE OR PIPE, FUEL (FOR INJECTION PUMP TO FUEL FILTER)					
8008-8408	3B..BJ42			23801-56040-	1	1	
8008-8410	3B..BJ42			23802-56040-	1	1	80
8408-8410	3B..BJ42			23801-56060-	1		10
	1 22811	STAY, INJECTION PUMP					
8008-8201	3B..BJ42			22811-56010-	1	1	30
8201-8410	3B..BJ42			22811-56011-	1	31	80
	1 22821	GASKET, INJECTION PUMP					
8008-8410	3B..BJ42			90301-77001-	1	1	80
	1 23701	PIPE SUB-ASSY, INJECTION, NO.1					
8008-8410	3B..BJ42			23701-56030-	1	1	80
	1 23702	PIPE SUB-ASSY, INJECTION, NO.2					
8008-8410	3B..BJ42			23702-56030-	1	1	80
	1 23703	PIPE SUB-ASSY, INJECTION, NO.3					
8008-8410	3B..BJ42			23703-56020-	1	1	80
	1 23704	PIPE SUB-ASSY, INJECTION, NO.4					
8008-8410	3B..BJ42			23704-56020-	1	1	80
	1 23741	CLAMP, INJECTION PIPE, NO.1					
8003-8410	3B..BJ42			23741-56010-	4	1	80


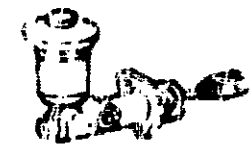


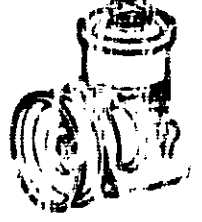
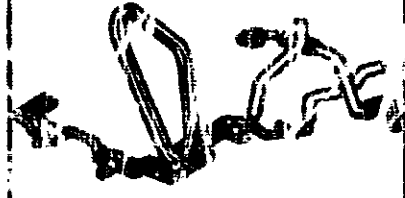

PROD. DATE	MODELS	DESCRIPTION	PART NUMBER	QTY	REV. REF. CODE		PROD. DATE	MODELS	DESCRIPTION	PART NUMBER	QTY	REV. REF. CODE	
					FROM	UP TO						FROM	UP TO
8008-8410	CONTINUED 2F..FJ40..V..USA	↑ 23921   SUPPORT, FUEL FILTER ↓	23921-61051-	1	1	80							
		↑ 23930   SEDIMENTER ASSY, FUEL ↓					23930-57011-	1	1	80			
8008-8410	3B..BJ42												
8008-8309	2F..FJ40	↑ 23931   COVER, FUEL FILTER ↓	23931-61010-	1	1								



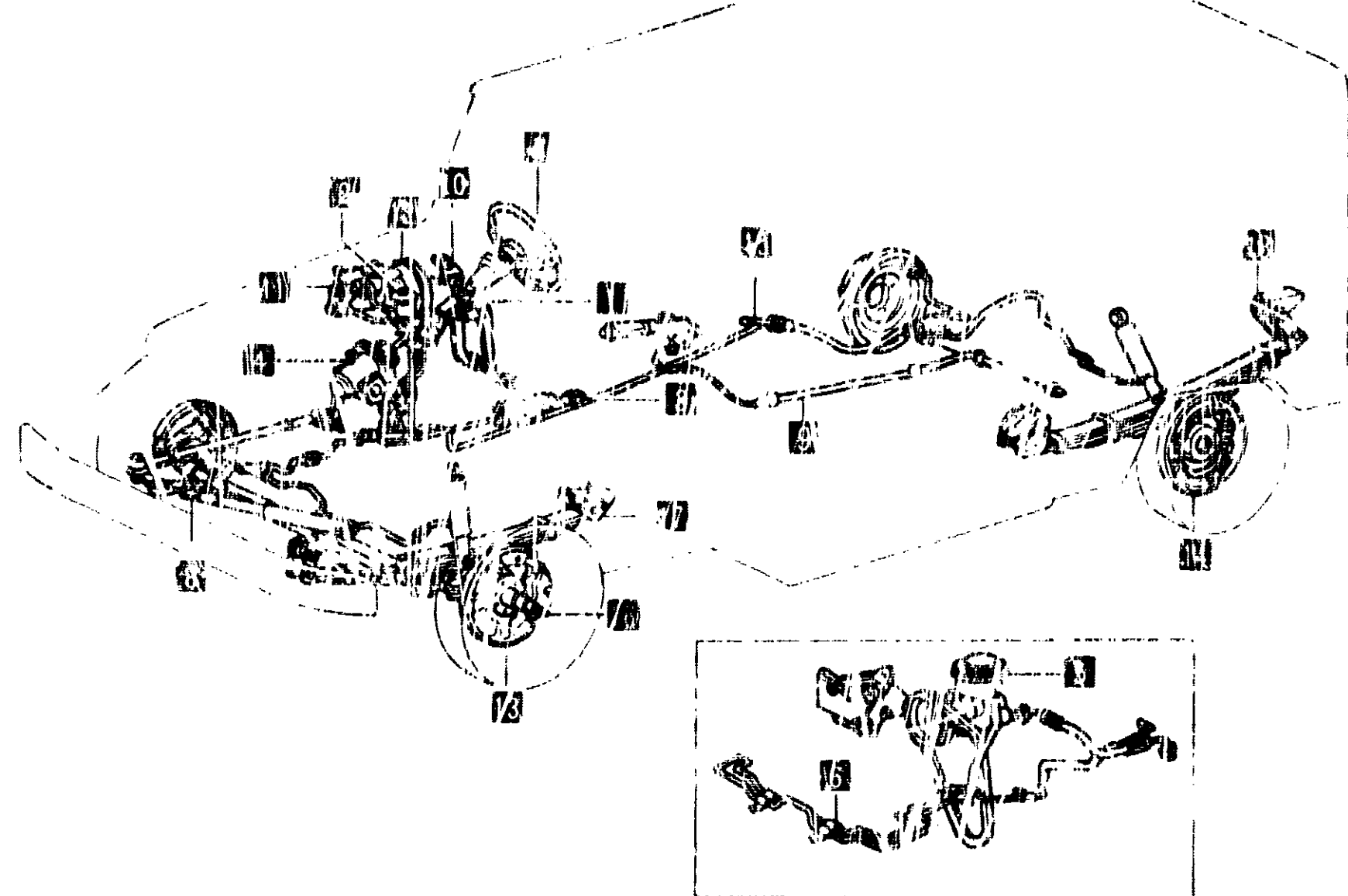



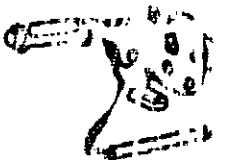
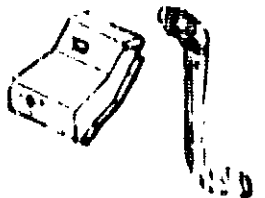

PART NUMBER	LOCATION	PART NUMBER	LOCATION	PART NUMBER	LOCATION	PART NUMBER	LOCATION	PART NUMBER	LOCATION	PART NUMBER	LOCATION
56301-90802-	3-G2	61320-90307-	3-C3	63205-90300-	3-G5	67561-95400-	3-A4	69052-90802-	3-M4	71073-90800-	3-C5
56306-90302-	3-G2	-90309-	3-C3	63206-90300-	3-G5	67567-95400-	3-B4	69057-6001-	3-M4	71074-90800-	3-C5
56307-90302-	3-H2	61501-90312-	3-C3	63207-90300-	3-G5	67568-95400-	3-A4	-90801-	3-M4	71075-90807-	3-C5
56313-90300-	3-H2	-90315-	3-C3	63208-90300-	3-G5	67569-95400-	3-B4	-90802-	3-M4	71081-90300-	3-C5
56409-60010-	3-E2	-90318-	3-C3	63222-90303-	3-G5	67569-90300-	3-J4	-90803-	3-M4	-90801-	3-C5
56457-60010-	3-H2	-90829-	3-C3	63232-90303-	3-G5	67610-90304-	3-L3	69058-90300-	3-M4	71088-90800-	3-C5
58017-90800-	3-L2	61502-90316-	3-C3	63311-90302-	3-L3	67620-90304-	3-L3	-90802-	3-M4	71382-60010-	3-J4
58101-90809-	3-J2	-90319-	3-C3	63901-90316-	3-H4	67801-90300-	3-L3	-90805-	3-M4	71410-90882-	3-C5
-90828-	3-J2	61534-60011-	3-C3	63902-90706-	3-H4	67802-90300-	3-L3	69064-60021-	3-M4	-90801-	3-C5
-90829-	3-J2	61549-90800-	3-C3	63917-60010-	3-J4	67847-90300-	3-H4	-60061-	3-M4	71420-90882-	3-C5
-90832-	3-J2	61601-90846-	3-D3	63918-60010-	3-J4	67861-90300-	3-L3	69201-60020-	3-J4	-90301-	3-C5
-90882-	3-J2	-90875-	3-D3	64921-60010-	3-D3	67862-90300-	3-L3	69210-90300-	3-C4	71430-90800-	3-C5
51201-90327-	3-J2	61602-90819-	3-D3	-90310-	3-D3	68095-6020-	3-J4	69220-90300-	3-C4	71440-90800-	3-C5
51221-90300-	3-L2	-90820-	3-D3	64922-90302-	3-H4	68105-90302-	3-M3	69233-90300-	3-C4	71609-90301-	3-C5
51251-90800-	3-J2	61603-90344-	3-C3	64923-90300-	3-H4	-90303-	3-M3	69249-90300-	3-J4	71700-90800-	3-C5
-90801-	3-J2	-90348-	3-C3	65607-90300-	3-K3	68111-90800-	3-L3	69250-90301-	3-C4	-90801-	3-C5
58262-90084-	3-J2	61604-90344-	3-C3	65801-90300-	3-K3	-90800-	3-M3	69260-10040-01	3-E4	71812-30010-	3-C5
58263-90300-	3-J2	-90348-	3-D3	-90302-	3-K3	-90801-	3-M3	-90301-	3-C4	71821-90300-	3-D5
-90800-	3-J2	61683-90300-	3-D3	-90802-	3-K3	-90802-	3-M3	69265-60010-	3-K4	71822-90300-	3-D5
58268-90800-	3-J2	61687-90307-	3-D3	65802-90300-	3-K3	-90803-	3-M3	69266-22010-01	3-C4	71910-90801-03	3-C5
58273-90300-	3-J2	61688-90307-	3-D3	-90302-	3-K3	58121-90302-	3-B4	69270-90801-01	3-C4	71950-90301-	3-C5
58274-90300-	3-J2	61691-90300-	3-D3	65803-90307-	3-K3	-90303-	3-B4	69271-10020-	3-K4	71958-30020-01	3-C
58276-90300-	3-C3	61698-90300-	3-D3	65805-60020-	3-K3	68131-90303-	3-H4	69276-20011-01	3-C4	71990-30020-01	3-C5
58280-90300-	3-J2	61802-90302-	3-F6	65811-90801-	3-K3	-90304-	3-H4	69280-90801-01	3-C4	72110-90333-	3-C5
-90800-	3-J2	61824-90302-	3-F6	65812-90801-	3-K3	68160-90300-	3-M3	69285-90801-01	3-F5	72120-90333-	3-D5
58288-90300-	3-J2	62641-90300-	3-I1	65815-90300-	3-K3	-90301-	3-M3	69310-90300-	3-C4	72130-90333-	3-D5
58301-90810-	3-K2	62704-90300-	3-E3	65816-90300-	3-K3	-90802-	3-M3	-90301-	3-J4	72520-90300-	3-D5
-90814-	3-K2	62711-90300-	3-E3	65818-90301-	3-K3	-90803-	3-M3	-90800-	3-C4	72525-14010-01	3-D5
-90826-	3-K2	-90304-	3-E3	-90800-	3-K3	68170-90302-	3-M3	69320-90700-	3-C4	72526-14010-01	3-D5
-90830-	3-K2	62712-90300-	3-E3	65819-90301-	3-K3	68171-90301-	3-E4	-90800-	3-C4	72550-90300-	3-D5
58305-90301-	3-M5	-9001-	3-E3	65831-90301-	3-K3	68172-90301-	3-B4	-90800-	3-C4	-90301-	3-D5
-90301-	3-E3	62713-90300-	3-E3	65839-90300-	3-D3	68181-90300-	3-B4	69350-60010-	3-J4	72551-90A00-	3-D5
58309-90307-	3-K2	-90301-	3-E3	-90300-	3-C3	68182-90300-	3-B4	-90302-	3-J4	72552-90A00-	3-D5
-90308-	3-K2	62714-90300-	3-E3	65852-60011-	3-K3	68191-90301-	3-M3	-90800-	3-J4	72553-12020-	3-D5
58321-90800-	3-L2	-90301-	3-E3	65854-60012-	3-K3	68192-90300-	3-M4	69360-60010-	3-J4	73210-90803-	3-E5
58371-90303-	3-L2	62733-90300-	3-E3	65865-90300-	3-K3	68194-90800-	3-M3	-90302-	3-J4	-90812-	3-E5
58372-90300-	3-K2	-90302-	3-F3	65888-90302-	3-K3	68195-90800-	3-M3	69362-90301-	3-J4	73220-90302-	3-E5
58373-90300-	3-K2	62734-12010-	3-E3	65889-90302-	3-K3	68210-90301-	3-M3	69363-90301-	3-J4	73230-90811-	3-E5
58501-90302-	3-M2	-90811-	3-E3	65898-90301-	3-K3	68291-60030-	3-M4	69360-90800-	3-J4	-90811-	3-E5
58510-90300-	3-M2	62741-90303-	3-F3	65899-90301-	3-K3	-90302-	3-M4	69388-90300-	3-J4	73240-90801-	3-E5
-90806-03	3-M2	62742-90300-	3-E3	65910-90806-	3-K3	68292-90302-	3-H4	69405-90300-	3-K4	-90810-	3-E5
58511-90279-	3-M2	62744-90300-	3-E3	65928-60010-	3-C5	68295-90300-	3-H4	69410-90300-	3-C4	73330-90800-	3-E5
-90815-03	3-M2	62797-90800-	3-E3	-90800-	3-K3	68296-90300-	3-H4	69411-90300-	3-C4	74102-90800-	3-C5
58512-90300-	3-M2	62798-90810-	3-E3	67001-90800-	3-L3	68710-60012-	3-E4	69451-90302-	3-J4	74104-90800-	3-J5
58514-90300-	3-M2	-90811-	3-E3	-90802-	3-L3	68720-60012-	3-E4	69469-60010-	3-J4	74110-60010-	3-J5
-90800-03	3-M2	62910-90300-	3-F3	67002-90800-	3-L3	68908-90300-	3-E4	69510-60010-	3-J4	74130-90800-	3-J5
58515-90801-03	3-M2	62930-90300-	3-H3	-90802-	3-L3	68905-60030-	3-J4	69567-90300-	3-M4	74310-90303-	3-F5
58706-90800-	3-M5	62931-89103-	3-H3	67005-90806-	3-H4	-90305-	3-J4	69681-20040-	3-M4	74320-90303-	3-F5
58811-90300-	3-A3	62940-90300-	3-H3	-90813-	3-H4	63906-60020-	3-J4	69685-12010-	3-A5	74372-90300-	3-G9
58829-90300-	3-A3	62941-90300-	3-H3	-90815-	3-H4	63909-90301-	3-J4	-95440-	3-M4	74401-60022-	3-H5
58830-90300-	3-A3	63100-90801-	3-G3	67006-90810-	3-H4	-90311-	3-J4	69709-60011-	3-K4	-60031-	3-H5
58851-90200-	3-J2	63106-90303-	3-G3	-90814-	3-H4	61959-90301-	3-J4	69759-30021-	3-D4	-60061-	3-H5
58951-90300-	3-A3	63119-90300-	3-G3	67047-90300-	3-L3	61980-90300-	3-E4	-95500-	3-C6	74402-60010-	3-H5
61009-90300-	3-C3	63161-60011-	3-G3	67129-90301-	3-H4	61005-90315-	3-M4	69764-90302-	3-J4	-60011-	3-H5
61106-90310-	3-C3	63165-60010-	3-G3	67398-90801-	3-H4	-90316-	3-M4	69765-90302-	3-J4	74403-60050-	3-H5
-90311-	3-C3	-90801-	3-G3	67401-90301-	3-A4	-90320-	3-M4	69768-90300-	3-K4	74404-60060-	3-H5
-90801-	3-C3	63166-60010-	3-G3	67402-90301-	3-A4	-90803-	3-M4	69801-90303-	3-E4	74514-60052-	3-I5
-90812-	3-C3	63167-90302-	3-G3	67434-90300-	3-M3	-90806-	3-M4	-90304-	3-E4	74531-60161-	3-I5
61107-90317-	3-C3	63168-90302-	3-G3	67451-90301-	3-K4	69051-60015-	3-M3	69802-90303-	3-E4	74556-12112-	3-I5
-90301-	3-C3	-90306-	3-G3	67481-90301-	3-A4	-90801-	3-M4	-90304-	3-E4	-12113-	3-I5
61190-90301-	3-C3	63201-90304-	3-G5	67501-90301-	3-A4	-90802-	3-M4	69901-90800-	3-F4	-12114-	3-I5
61193-90300-	3-C3	63202-90307-	3-G5	67502-90301-	3-A4	-90802-	3-M4	-90801-	3-F4	-12115-	3-I5
61310-90310-	3-C3	63203-90307-	3-G5	67519-60011-	3-A4	69152-69015-	3-M4	69901-90800-	3-F4	74557-14030-	3-I5
-90312-	3-C3	63204-90300-	3-G5	67559-90300-	3-A4	-90801-	3-M4	69901-90800-	3-F4	-20030-	3-I5

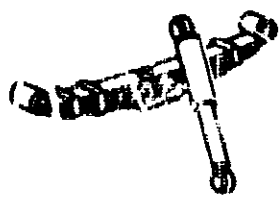


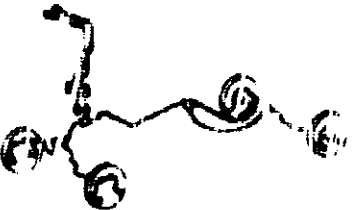



ILLUSTRATED INDEX

2-C1 (31-02) 	2-E1 (31-03) 	2-F1 (31-04) 	2-F5 (43-01) 	2-M5 (45-02) 	2-C6 (45-03) 	2-F6 (45-04) 
Clutch Pedal	Clutch Master Cylinder	Clutch Release Cylinder	Steering Column	Vaco Pump & Pressure	Oil Cooler & Tube	Steering Wheel

POWER TRAIN - CHASSIS GROUP (2 / 2)



2-G6 (45-05) 
Steering Arm
2-J6 (45-06) 
Parking Brake & Gear
2-L6 (47-07) 
Clutch Pedal & Bracket
2-M6 (47-08) 
Brake Master Cylinder

2-P6 (48-04) 	2-C8 (48-03) 	2-P8 (48-02) 	2-J7 (47-08) 	2-G7 (47-06) 	2-E7 (47-05) 	2-B7 (47-03) 
Rear Spring	Front Spring	Front Axle Arm	Brake Tube & Clamp	Rear Lining Plate	Front Disc Brake Caliper	Brake Booster

PROD. DATE	MODELS	DESCRIPTION	PART NUMBER	QTY	REV. REF. CODE		PROD. DATE	MODELS	DESCRIPTION	PART NUMBER	QTY	REV. REF. CODE	
					FROM	UP TO						FROM	UP TO
	11135	SEAT, VALVE EXHAUST											
8008-8309	CONTINUED 2F..FJ40	072 0.83	11-36-60030-	6	1								
	11201	COVER SUB-ASSY, CYLINDER HEAD											
8008-8309	2F..FJ40		11201-69045-	1	1								
8008-8408	3B..BJ42		11211-59045-	1	1								
8408-8410	3B..BJ42		11211-51031-	1		80							
	11201A	NUT, CAP (FOR CYLINDER HEAD COVER)											
8008-8309	2F..FJ40		90176-08014-	4	1								
8008-8408	3B..BJ42		11295-46010-	4		80							
	11201B	WASHER, SEAL (FOR CYLINDER HEAD COVER)											
8008-8309	2F..FJ40		90210-13001-	4	1								
8008-8410	3B..BJ42		90210-12001-	4	1	80							
	11213	GASKET, CYLINDER HEAD COVER											
8008-8405	2F..FJ40		11213-61011-	1	1								
8009-8408	3B..BJ42		11213-56011-	1	1								
8408-8410	3B..BJ42		(11213-56012-)	1		80							
	12100	CAP SUB-ASSY, OIL FILLER											
8301-8309	2F..FJ40		12180-13010-	1	1								
8301-8410	3B..BJ42		12180-70010-	1		80							
8006-8309	3B-2F..BJ42,FJ40		12180-13010-	1	1								
	12108A	GASKET (FOR OIL FILLER CAP)											
8008-8410	3B,2F..BJ42,FJ40		90430-37140-	1	1	80							

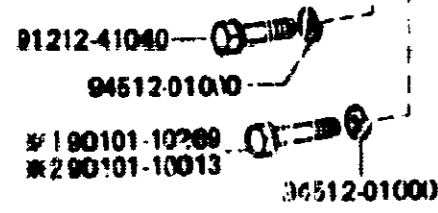
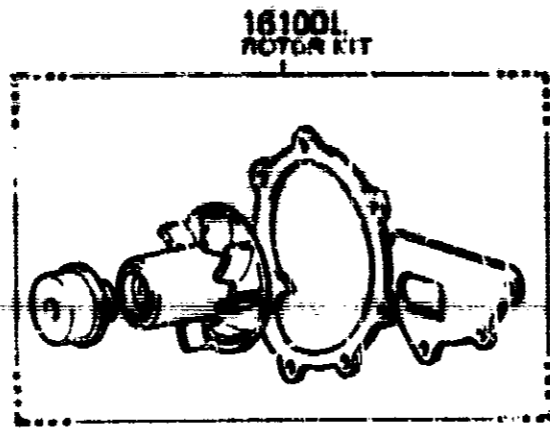
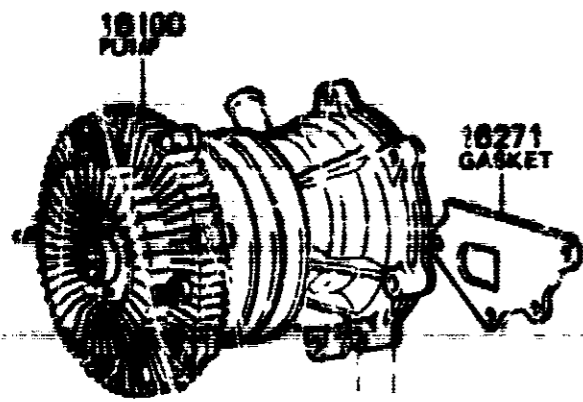
PROD. DATE	MODELS	DESCRIPTION	PART NUMBER	QTY	REV. REF. DATE		PROD. DATE	MODELS	DESCRIPTION	PART NUMBER	QTY	REV. REF. DATE	
					FROM	UP TO						FROM	UP TO
	1 13265	BOLT, CONNECTING ROD	13265-69015-	12	1			1 13434	SPLINE, OIL PUMP DRIVE	13519-56010-	1		80
8008-8309	2F..FJ40						8008-8410	3B..BJ42					
8008-8410	3B..BJ42		13265-58010-	6	1	80		1 13453	GEAR, FLYWHEEL RING	13453-50010-	1		
	1 13265A	NUT, HEXAGON (FOR CONNECTING ROD BOLT)					8008-8309	2F..FJ40		13453-50010-	1		
8008-8309	2F..FJ40		90170-10190-	12	1		8008-8410	3B..BJ42	NR-110	13453-56020-	1		80
8008-8402	3B..BJ42		90170-12010- (90179-12040-)	8	1			1 13471	PULLEY, CRANKSHAFT				
8402-8410	3B..BJ42		90179-12044	8		80	8008-8309	2F..FJ40	DOUBLE PULLEY, OD=155	13470-60120-	1		
	1 13405	FLYWHEEL SUB-ASSY					8008-8110	2F..FJ40..CND	OD=155	13470-60031-	1		6
8008-8309	2F..FJ40		13405-69015-	1	1		8008-8309	2F..FJ40..V..USA	TRIPLE PULLEY, OD=155 #227	13470-61010-	1		
8073-8406	3B..BJ42		13405-9055- (13405-56031-) (90105-13000-)	1			8008-8110	3B..BJ42		13470-56100- (13470-56101-)	1		6
8406-8410	3B..BJ42		13405-56031-	1		80	8110-8408	3B..BJ42		13470-56101-	1		7
	1 13405A	PIN, STRAIGHT (FOR FLYWHEEL)					8408-8410	3B..BJ42		13470-56170-	1		80
8008-8410	3B..2F..BJ42,FJ40		90250-10192-	3	1	80		1 13471A	KEY, CRANKSHAFT (FOR CRANKSHAFT PULLEY SET)				
	1 13405B	BOLT, FLYWHEEL SET					8008-8309	2F..FJ40		90281-07004-	1		
8008-8309	2F..FJ40		90913-01013- (90913-01013-)	6			8008-8410	3B..BJ42		95161-10416-	1		80
8008-8410	3B..BJ42		90105-13002-	6		80		1 13471C	BOLT (FOR CRANKSHAFT PULLEY SET)				
	1 13411	CRANKSHAFT					8008-8410	3B..BJ42		90105-16003-	1		80
8008-8210	2F..FJ40		13401-60015- (13401-61010-)	1	1			1 13471E	NUT (FOR CRANKSHAFT PULLEY)				
8210-8309	2F..FJ40		13401-60010-	1			8008-8309	2F..FJ40		90179-22004-	1		
8008-8408	3B..BJ42		13401-58010- (13401-58020-)	1	1			1 13477	PULLEY, CRANKSHAFT, NO.2				
8408-8.10	3B..BJ42		13401-58020-	1		80	8210-8410	3B..BJ42	W/POWER ST EERING	13477-60030-	1	19	80
	1 13411C	PIN, STRAIGHT (FOR CRANKSHAFT)						1 13477B	PLATE, CRANKSHAFT PULLEY, NO.2				
8008-8309	2F..FJ40		90241-13017-	1	1		8210-8410	3B..BJ42	W/POWER ST EERING	13478-60010-	1	19	80
	1 13411D	SEAL, OIL (FOR CRANKSHAFT)						1 13503	SHAFT SUB-ASSY, IDLE GEAR				
8008-8309	2F..FJ40		90311-99065-	1	1		8008-8408	3B..BJ42		13504-56020-	1		

FIG. 16-01 WATER PUMP

1-H3

(8008-8309) 2F

(8008- 13B

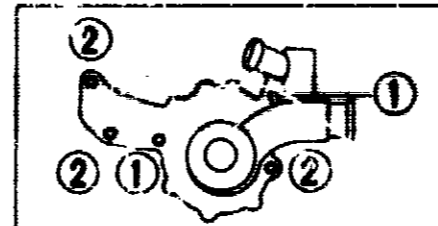
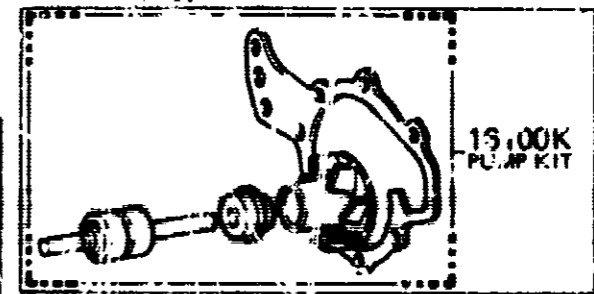
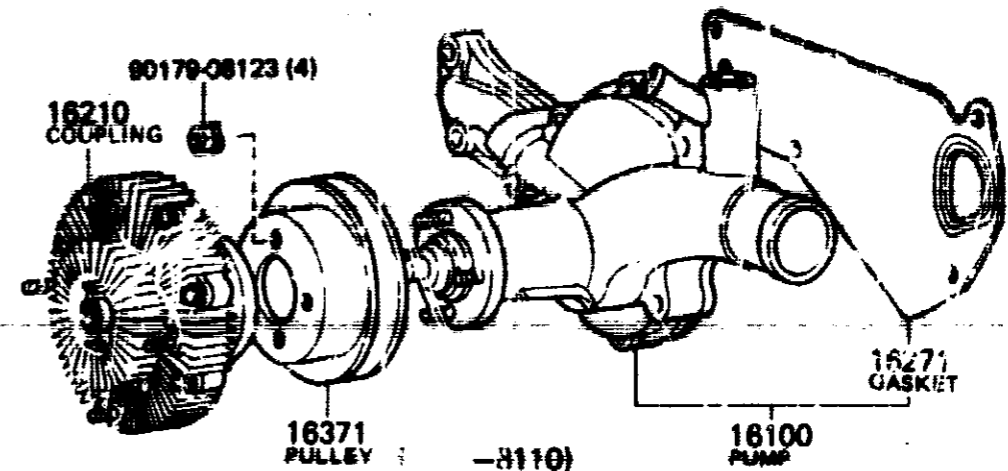
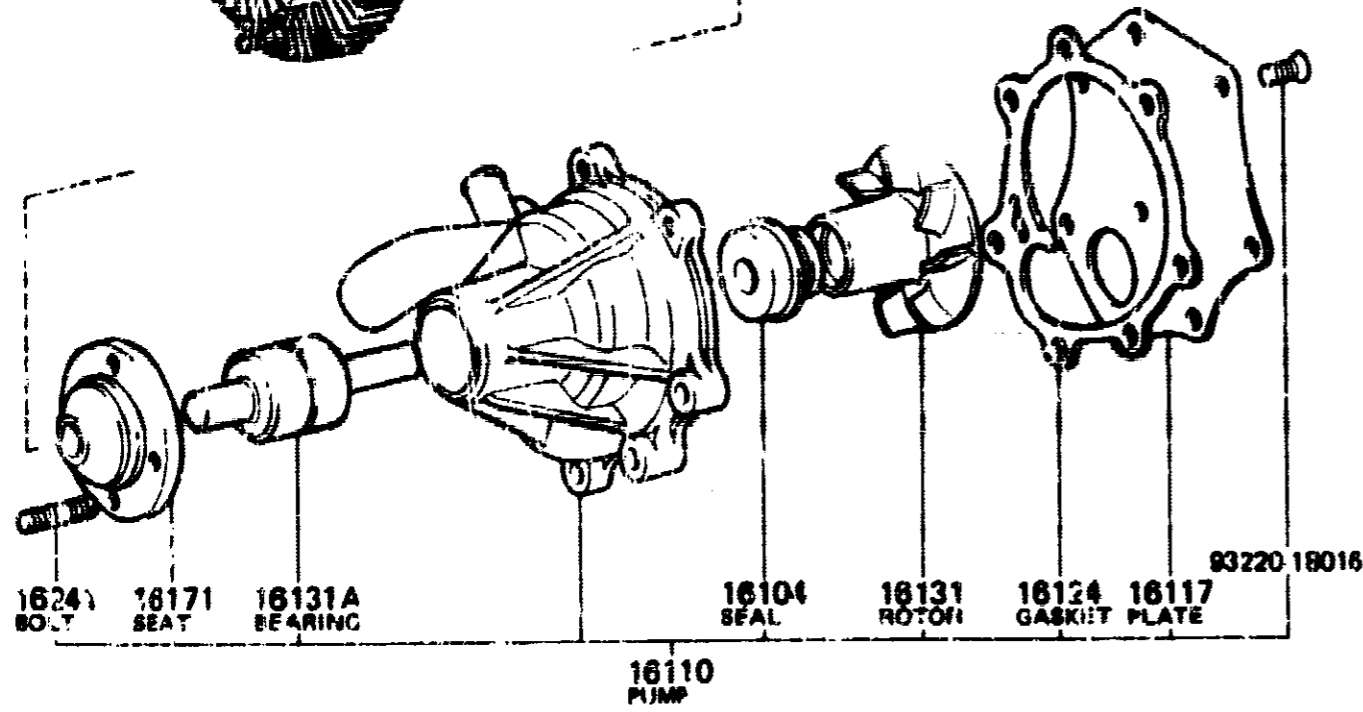
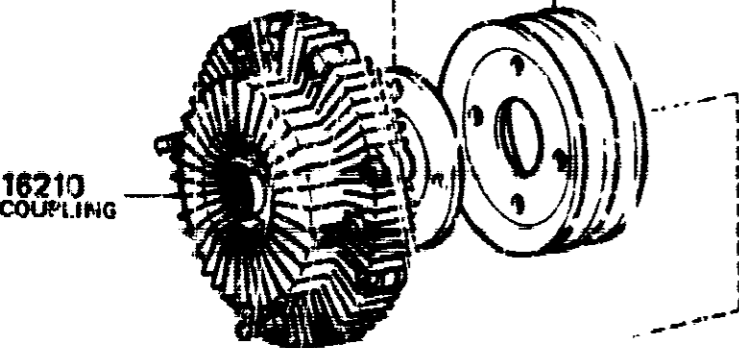


\*1 CND  
\*2 USA

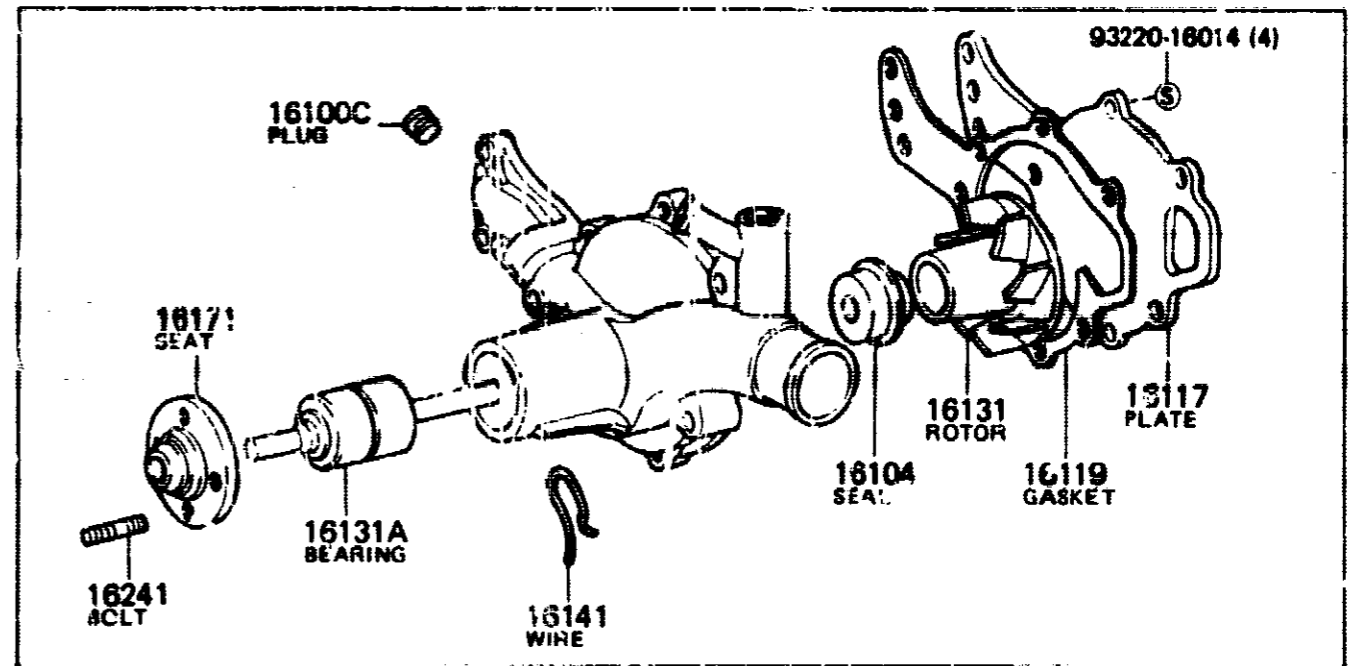
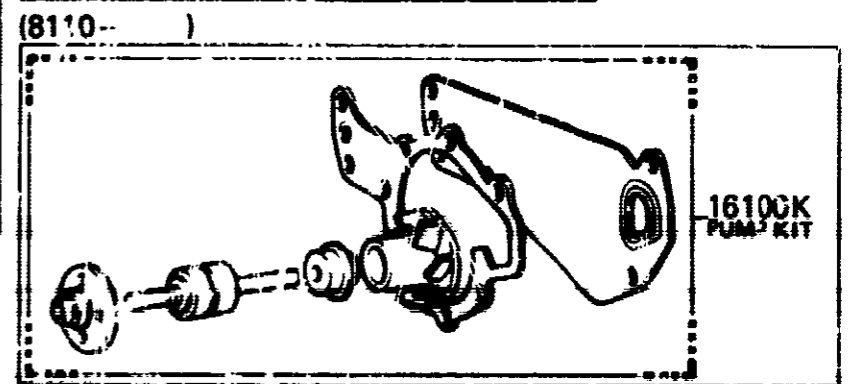
90179-08123

16371 PULLEY

16210 COUPLING



①		90119-08273 (2)
②		90119-08272 (3)



MA 6201

MA 6200

MA5501

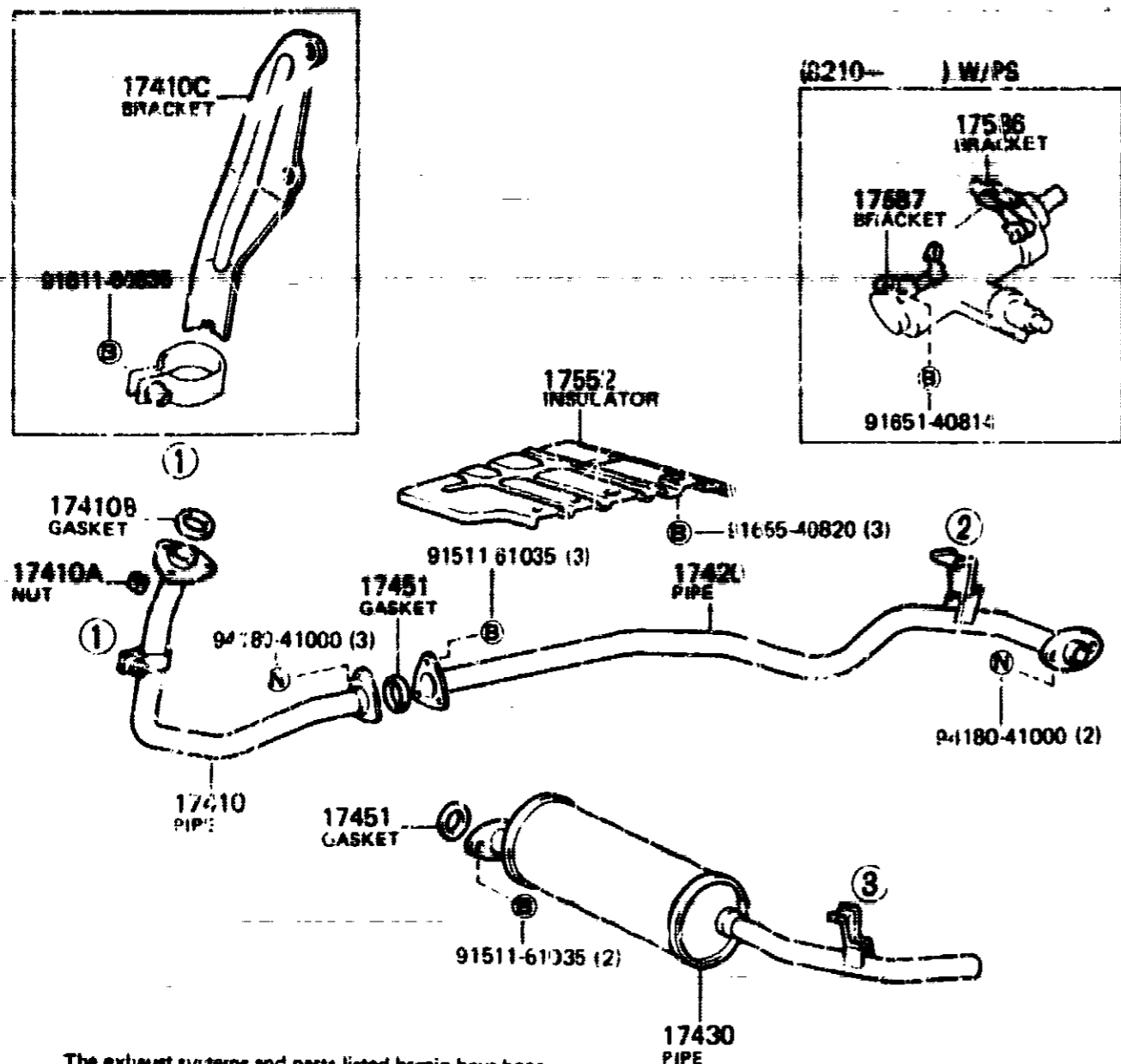
MA6209 174-11-0018

FIG. 17-02 EXHAUST PIPE

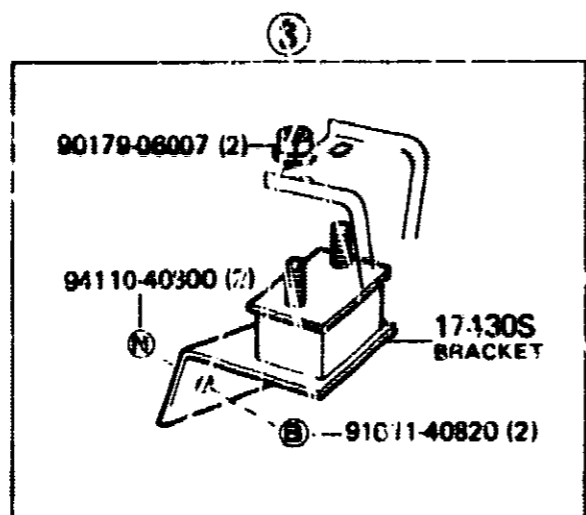
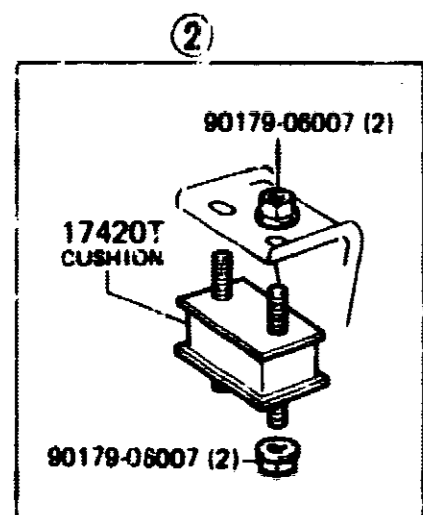
1-H4

GENUINE TOYOTA PARTS

(8008- 13B



The exhaust systems and parts listed herein have been certified as complying with the California Vehicle and Administrative Codes Noise Regulation.



MA 4824-C

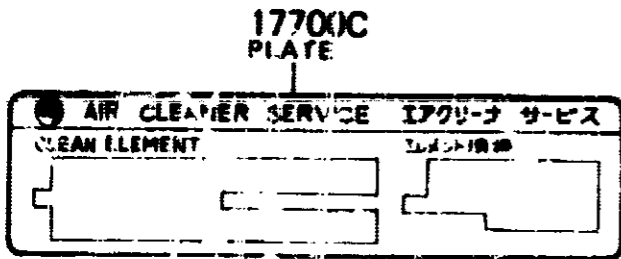
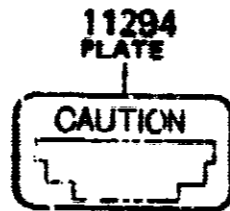
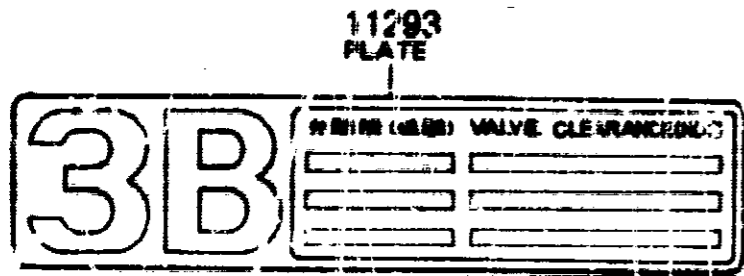
PROD. DATE	MODELS	DESCRIPTION	PART NUMBER	QTY	REV. REF. / CODE	FROM	UP TO
		FIG. 17-02 EXHAUST PIPE					
8008-8309	2F..FJ40..USA	1 17400   CONVERTER ASSY. W/CATALYST	17400-61025-	1			
8008-8309	2F..FJ40..USA	1 17400A   FLANGE, THERMO SENSER INLET	18491-51010-	1			
8008-8110	2F..FJ40..CND	1 17410   PIPE ASSY. EXHAUST, FRONT	17401-61090-	1			6
8008-8309	2F..FJ40..USA		17410-61170-	1			
8008-8410	3B..BJ42		17401-56100-	1			80
8008-8410	3B, 2F..BJ42, FJ40	1 17410A   NUT, EXHAUST PIPE SET STUD BOLT	90179-10010-	3			80
8008-8309	2F..FJ40	1 17410B   GASKET, EXHAUST PIPE	90917-06003-	1			
8008-8410	3B..BJ42		90917-06012-	1			80
8008-8309	2F..FJ40	1 17410C   BRACKET, EXHAUST PIPE FRONT (FOR FRONT)	17571-61100-	1			
8008-8410	3B..BJ42		17571-56050-	1			80
8008-8309	2F..FJ40..USA	UPR, LH	17506-61011-	1			
8008-8309	2F..FJ40..USA	UPR, RH	17507-61010-	1			
8008-8309	2F..FJ40..USA	LWR	17580-61010-	1			
8008-8309	2F..FJ40..USA	1 17410V   BRACKET, EXHAUST PIPE FRONT (FOR REAR)					
8008-8309	2F..FJ40..USA	1 17410Y   BOLT OR RING, EXHAUST PIPE FRONT (FOR REAR)	90301-33001-	2			
8008-8110	2F..FJ40..CND	1 17420   PIPE ASSY. EXHAUST, CENTER	17420-61070-	1			6
8008-8309	2F..FJ40..USA		17420-61032-	1			
8008-8410	3B..BJ42		17420-56080-	1			80

FIG.17-09 CAUTION PLATE & NAME PLATE

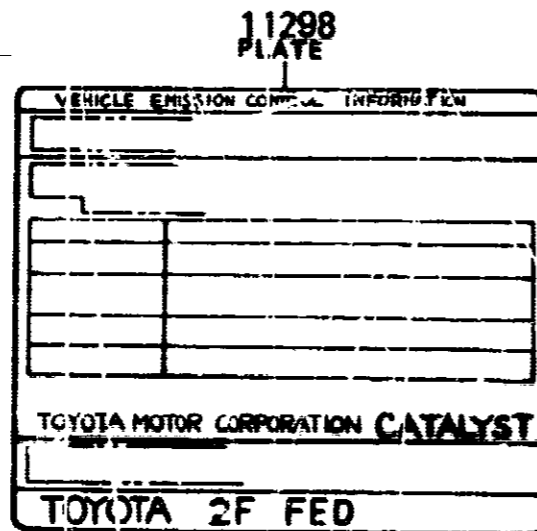
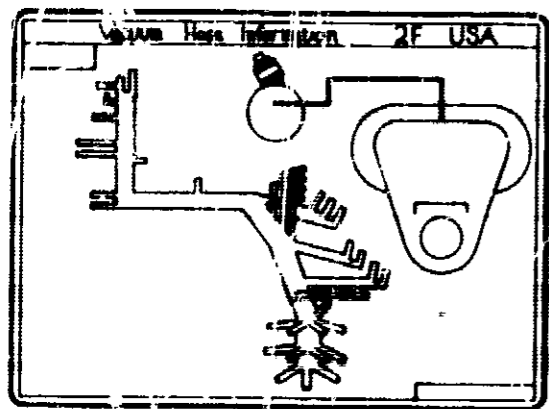
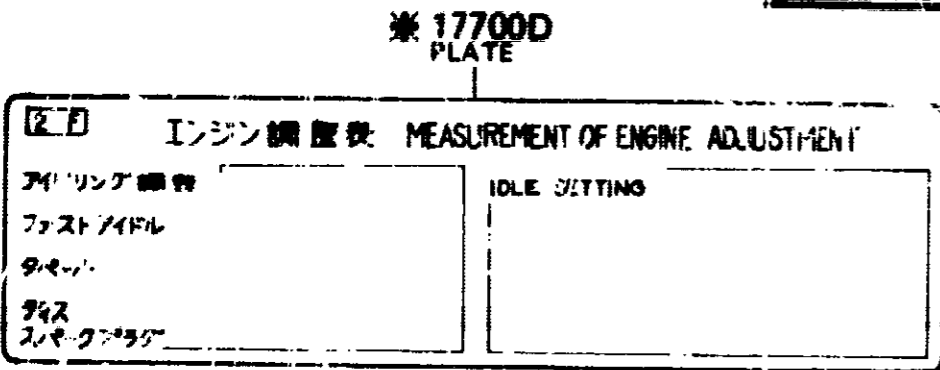
1-H5

GENUINE TOYOTA PARTS

(8008- )



※( -8110) CND



PROD. DATE	MODELS	DESCRIPTION	PART NUMBER	QTY	REV. REF. CODE	
					FROM	UP TO
FIG.	17-09	CAUTION PLATE & NAME PLATE				
8008-8410	3B..BJ42	11293   PLATE, ENGINE CAUTION & ENGINE NAME	11293-56010-	1	1	80
8008-8210	2F..FJ40..USA	11294   PLATE, ENGINE CAUTION, NO.2	11294-34020-	1	1	
8110-8210	2F..FJ40	11298   PLATE, EMISSION CONTROL INFORMATION	11298-61022-	1	7	18
8110-8210	2F..FJ40	CALIFORNIA SPEC	11298-61032-	1	7	18
8210-8308	2F..FJ40	CALIFORNIA SPEC	11298-61023-	1	19	
8210-8309	2F..FJ40		11298-61033-	1	19	
8309-8309	2F..FJ40		11298-61034-	1		
8008-8110	2F..FJ40..USA	CALIFORNIA SPEC	11298-61021-	1	1	6
8008-8110	2F..FJ40..USA		11298-61031-	1	1	6
8008-8309	2F..FJ40	17700C   PLATE, AIR CLEANER CAUTION (FOR ENGINE MODEL )	17791-61022-	1	1	
8008-8410	3B..BJ42		17791-56170-	1	1	80
8008-8110	2F..FJ40..CND	17700D   PLATE, ENGINE CAUTION	11293-61011-	1	1	6
8008-8309	2F..FJ40..USA	17792   PLATE, ENGINE VACUUM HOSE INFORMATION	17792-61033-	1	1	

PROD. DATE	MODELS	DESCRIPTION	PART NUMBER	QTY	REV. REF. CODE	
					FROM	UP TO
	28160	ARMATURE ASSY, STARTER				
8008-8206	2F..FJ40	12V 1.0KW	28160-41020-	1	1	
8206-	2F..FJ40	12V 1.0KW	28160-26070-	1		
8008-8410	3B..BJ42	24V 4.5KW	28160-77090-	1	1	80
	28160A	BEARING, STARTER ARMATURE				
8206-8309	2F..FJ40	12V 1.0KW, FR	28253-45020-	1		
8206-8309	2F..FJ40	12V 1.0KW, RR	90099-10113-			
8008-8410	3B..BJ42	24V 4.5KW, RR	90059-10107-	1	1	80
8008-8410	3B..BJ42	24V 4.5KW, FR	90099-10119-	1	1	80
	28162	SPRING, STARTER BRAKE				
8008-8206	2F..FJ40	12V 1.0KW	28162-41022-	1	1	
	28163	NUT OR COLLAR, PINION STOP, STARTER				
8008-8206	2F..FJ40	12V 1.0KW	28163-40011-	1	1	
	28163A	RING, SNAP (FOR STARTER PINION STOP NUT)				
8008-8206	2F..FJ40	12V 1.0KW	90099-07047-	1	1	
	28165	SPRING, STARTER MAGNET SWITCH RETURN				
8206-8309	2F..FJ40	12V 1.0KW	28165-26040-	1		
8008-8410	3B..BJ42	24V 4.5KW	28165-77090-	1	1	80
	28172	HOLDER, STARTER SPRING				
8008-8206	2F..FJ40	12V 1.0KW	28172-41021-	1	1	
	28222	WASHER, STARTER IDLE GEAR CLUTCH				
8008-8410	3B..BJ42	24V 4.5KW	28222-77090-	1	1	80
	28228	ROLLER, STARTER IDLE GEAR CLUTCH				
8206-8309	2F..FJ40	12V 1.0KW	28228-26040-	5		
8008-8410	3B..BJ42	24V 4.5KW	28228-56080-	1	1	80

PROD. DATE	MODELS	DESCRIPTION	PART NUMBER	QTY	REV. REF. CODE	
					FROM	UP TO
	28229	RETAINER, STARTER IDLE GEAR				
8206-8309	2F..FJ40	12V 1.0KW	28229-26040-	1		
8008-8410	3B..BJ42	24V 4.5KW	28229-56080-	1	1	80
	28252	GEAR, STARTER IDLE				
8206-8309	2F..FJ40	12V 1.0KW	28254-45020-	1		
8008-8410	3B..BJ42	24V 4.5KW	28254-77090-	1	1	80

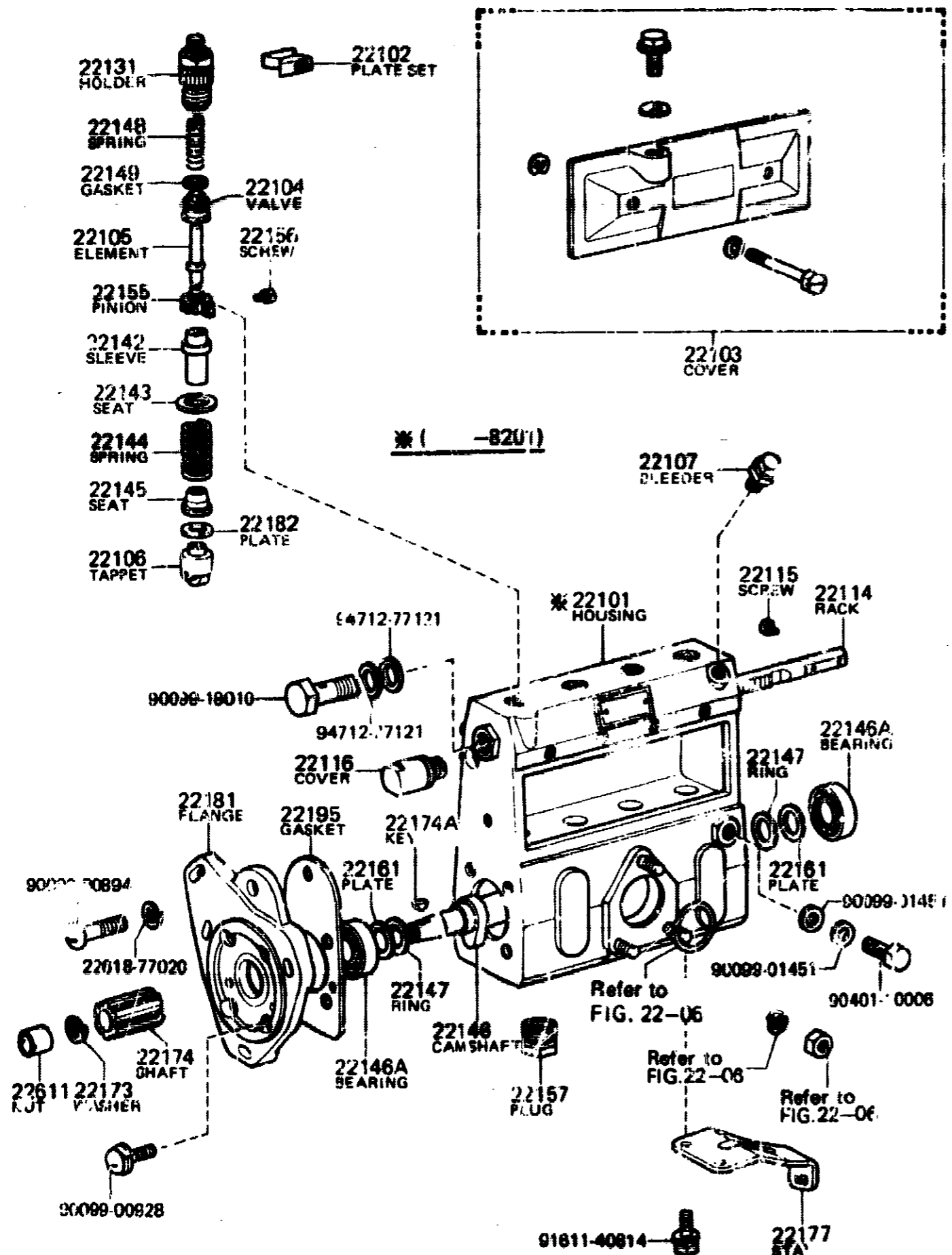


FIG. 22-03 INJECTION PUMP BODY

1-17

GENUINE TOYOTA PARTS

(8008-- )3B



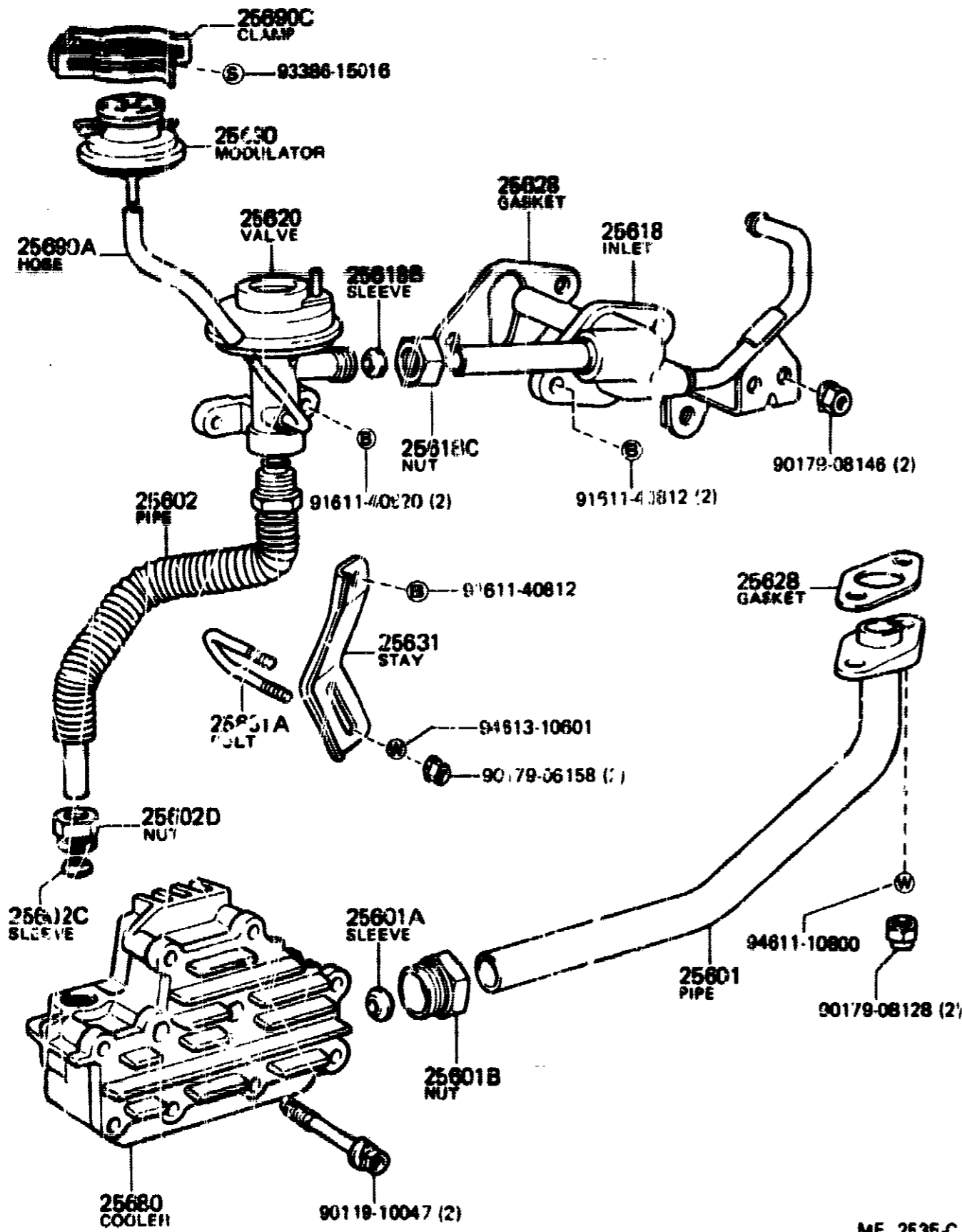
PROO. DATE	MODELS	DESCRIPTION	PART NUMBER	QTY	REV. REF. CODE	
					FROM	UP TO
FIG.	22-03 INJECTION PUMP BODY					
8008-8201	3B..BJ42	22101 HOUSING SUB-ASSY, INJECTION PUMP	22190-56042-	1	1	
8008-8410	3B..BJ42	22102 PLATE SET, VALVE HOLDER LOCK	22102-77021-	2	1	80
8008-8410	3E..BJ42	22103 COVER SUB-ASSY, INJECTION PUMP	22103-48030-	1	1	80
8008-8410	3B..BJ42	22104 VALVE SUB-ASSY, INJECTION PUMP DELIVERY	22104-77020-	4	1	80
8008-8410	3B..BJ42	22105 ELEMENT SUB-ASSY, INJECTION PUMP	22105-58010-	4	1	80
8008-8410	3B..BJ42	22106 TAPPET SUB-ASSY, INJECTION PUMP	22106-46010-	4	1	80
8008-8410	3B..BJ42	22107 BLEEDER SUB-ASSY, AIR	22150-67010-	1	1	80
8008-8410	3B..BJ42	22114 RACK, CONTROL	22114-48030-	1	1	80
8008-8410	3B..BJ42	22115 SCREW, RACK GUIDE	22115-77020-	1	1	80
8008-8410	3B..BJ42	22116 COVER, CONTROL RACK	22116-46010-	1	1	80
8008-8410	3B..BJ42	22131 HOLDER, DELIVERY VALVE	22131-77020-	4	1	80
8008-8410	3B..BJ42	22142 SLEEVE, PLUNGER CONTROL	22142-77020-	4	1	80

FIG.25-01 EXHAUST GAS RECIRCULATION SYSTEM

1-H

GENUINE TOYOTA PARTS

(8008-8309)2F..USA



PROD. DATE	MODELS	DESCRIPTION	PART NUMBER	QTY	REV. REF. CODE	
					PTXCM	UP TO
FIG.	25-01 EXHAUST GAS RECIRCULATION SYSTEM					
8008-8309	2F..FJ40..USA	25601 PIPE SUB-ASSY, EGR, NO.1	25601-61040-	1		
8008-8309	2F..FJ40..USA	25601A SLEEVE, BALL, EGR PIPE, NO.1	90410-25041-	1		
8008-8309	2F..FJ40..USA	25601B NUT, UNION, EGR PIPE, NO.1	90402-33079-	1		
8008-8309	2F..FJ40..USA	25602 PIPE SUB-ASSY, EGR, NO.2	25602-61030-	1		
8008-8309	2F..FJ40..USA	25602C SLEEVE, BALL (FOR EGR PIPE, NO.2)	90410-18002-	1		
8008-8309	2F..FJ40..USA	25602D NUT, UNION (FOR EGR PIPE, NO.2)	90402-26072-	1		
8008-8309	2F..FJ40..USA	25618 INLET, EGR	25618-61011-	1		
8008-8309	2F..FJ40..USA	25618B SLEEVE, BALL (FOR EGR INLET)	90410-15002-	1		
8008-8309	2F..FJ40..USA	25618C NUT, OLIVE E (FOR EGR INLET)	90402-26074-	1		
8008-8309	2F..FJ40..USA	25620 VALVE ASSY, EGR	25620-61071-	1		
8008-8309	2F..FJ40..USA	25628 GASKET, EGR INLET	25628-61020-	1		
8008-8309	2F..FJ40..USA	EXHAUST MANIFOLD	25628-61031-	1		
8008-8309	2F..FJ40..USA	INTAKE MANIFOLD	25628-61031-	1		
8008-8309	2F..FJ40..USA	25631 STAY, EGR PIPE, NO.1	25631-01030-	1		

PART NUMBER	LOCATION	PART NUMBER	LOCATION	PART NUMBER	LOCATION	PART NUMBER	LOCATION	PART NUMBER	LOCATION	PART NUMBER	LOCATION
74559-20090-	3-15	77606-60021-	3-FJ	81517-60210-	3-L6	82210-90849-	3-J7	83520-14021-	3-I8	85310-60030-	3-A9
-22040-	3-15	77614-60030-	3-F6	81520-60937-	3-L6	-90857-	3-J7	-55011-	3-F8	-60940-	3-A9
74603-95800-08	3-F5	77615-60020-	3-F6	-69136-	3-L6	-90866-	3-J7	-55020-	3-F8	-60060-	3-A9
74617-22010-08	3-F5	77651-60020-	3-G6	81521-60080-	3-L6	-90893-	3-J7	-60010-	3-F8	85330-60060-	3-A9
74630-90800-	3-F5	77652-60011-	3-G6	81550-60192-	3-M6	82211-90802-	3-K7	-60020-	3-F8	-60061-	3-A9
	3-J4	77653-60010-	3-G6	-60311-	3-M6	82212-90303-	3-K7	83530-14010-	3-I8	-60070-	3-A9
74671-22010-08	3-F5	77654-60010-	3-G6	81551-60180-	3-M6	-90800-	3-K7	83610-60023-	3-A8	-60071-	3-A9
74810-10010-01	3-F5	77740-60014-	3-G6	81552-26040-	3-M6	82211-90302-	3-K7	83710-69106-	3-A8	85332-20060-	3-A9
	3-J4	77759-14011-	3-G6	81557-26040-	3-A7	-90800-	3-K7	84111-20042-	3-F8	-60010-	3-A9
75101-60011-	3-M5	78014-90A00-	3-I6		3-M6	82310-90802-	3-K7	84112-60011-	3-F8	-60020-	3-A9
75102-90303-	3-M5	78060-90302-	3-I6	81560-60112-	3-M6	-90804-	3-K7	-60030-	3-F8	85333-20010-	3-A9
75136-60040-	3-M5	78101-90309-	3-I6	-60231-	3-M6	-90807-	3-K7	84210-60021-	3-F8	-20020-	3-A9
75138-60020-	3-M5	78102-90800-	3-I6	81561-60080-	3-M6	-90812-	3-K7	84222-60020-	3-F8	-60010-	3-A9
75202-90300-	3-M5	-90801-	3-I6	81562-26040-	3-M6	-90815-	3-K7	-60021-	3-F8	85338-22020-	1-D4
75216-90301-	3-M5	78103-90A00-	3-I6	81690-90300-	3-B7	-90820-	3-K7	84230-22051-	3-F8	85349-14010-	3-A9
75217-90300-	3-M5	78104-90302-	3-I6	81750-60031-	3-C7	82315-12010-	3-K7	84310-60072-	3-G8	-20010-	3-A9
				-60050-	3-C7	-22010-	3-K7	84331-60022-	3-G8	85360-60010-	3-A9
75321-90311-	3-L5	78105-90800-	3-I6	81751-60020-	3-C7	82311-90800-	3-K7	84332-60021-	3-G8	85361-60060-	3-A9
75325-90301-	3-L5	78107-90303-	3-I6	81754-60030-	3-C7	82310-90314-	3-K7	84340-22060-	3-G8	85430-60010-	3-G8
75343-90301-	3-L5	78180-90804-	3-I6	-90808-	3-I6	-90801-	3-K7	-22071-	3-G8	85500-30340-	3-G8
75361-90100-	3-L5	-90808-	3-I6	81760-60021-	3-C7	82314-60020-	3-K7	-22072-	3-G8	-60020-	3-G8
75451-90100-	3-L5	78181-90304-	3-I6	-60060-	3-C7	82310-90300-	3-K7	-36030-	3-G8	85533-30010-	3-G8
75453-90100-	3-L5	78183-90A00-	3-I6	81764-60020-	3-C7	-90301-	3-K7	84380-20010-	3-G8	85540-36030-	3-G8
77001-60055-	3-E6	78199-90352-	3-I6	81850-36070-	3-B8	82311-60010-	3-J7	84450-60070-	3-G8	-60010-	3-G8
77100-60045-	3-E6	78303-90801-	3-I6	-60160-	3-B8	82412-90A00-	3-K7	84460-22010-	2-M6	85550-60010-	3-G8
77169-14020-	3-E6	78310-90803-	3-I6	-60170-	3-B8	-90801-	3-K7	84461-30040-	3-G8	-60011-	3-G8
77193-60013-	3-E6	-90807-	3-I6	-60270-	3-B8	82415-90300-	3-K7	84510-60030-	3-G8	85613-31010-	1-M7
77201-60052-	3-E6	78311-90351-	3-I6	-60350-	3-B8	82420-90805-	3-K7	84521-60010-	3-G8	85926-60010-	3-H8
-60093-	3-E6		3-J6	-60360-	3-B8	-90806-	3-K7	84520-36021-	3-I8	85927-60040-	3-H8
77203-60020-	3-E6	78410-90302-	3-J6	-60440-	3-B8	-90810-	3-K7	84651-60031-	3-G8	85991-22020-	3-H8
-60030-	3-E6	78441-90303-	3-I6	81879-90800-	3-C8	82422-90800-	3-I7	84652-27010-	3-G8	-60071-	3-H8
77205-60050-	3-E6	-90351-	3-I6	81910-60026-	3-D7	82470-90310-	3-K7	84730-90A01-	3-G8	-60030-	3-H8
-60080-	3-E6	78442-90301-	3-J6	81916-69101-	3-C7						
						-90861-	3-K7	84753-60010-	3-G8	-60050-	3-H8
77209-60020-	3-E6	78449-90320-	3-I6	81930-20011-	3-B8	-90802-	3-K7	84956-60020-	3-F8	85999-12050-	3-H8
-60021-	3-E6	81110-60200-	3-K6	-22012-	3-C8	82520-90802-	3-K7	-60030-	3-F8	86011-60031-	3-C9
77217-60015-	3-E6	-60201-	3-K6	-60010-	3-C8	82521-90300-	3-K7	84999-10030-	3-E7	-69015-	3-C7
-60030-	3-E6	-60270-	3-K6	81943-90301-	3-B8	-90303-	3-K7	85031-30010-	3-A9	86012-69018-	3-C9
77241-60040-	3-E6	-60271-	3-K6	-90302-	3-C8	82611-90301-	3-F8	85035-60050-	3-A9	86102-90301-	3-D9
-60050-	3-E6	81111-89117-	3-K6	81950-25040-	3-F8	82671-30030-	3-K7	-60061-	3-A9	86120-14520-	3-C7
77244-60021-	3-F6	81121-62010-	3-K6	-30040-	3-F8	82672-90800-	3-K7	85120-20308-	3-J8	-25020-	3-C9
-60022-	3-F6	81131-10031-	3-K6	82046-14072-	3-J7	82721-12150-	3-G7	-90310-	3-J8	-35025-	3-C9
-60050-	3-F6	81150-60020-	3-K6	-90302-	3-G7	82723-90300-	3-L7	-90311-	3-J8	-60021-	3-C9
-60051-	3-F6	-60021-	3-K6	-90802-	3-G7	83101-20040-	3-A8	-90807-	3-J8	-60030-	3-C9
77245-60040-	3-F6	-60090-	3-K6	82051-90800-	3-J7	83102-60051-	3-A8	-90804-	3-J8	-60041-	3-C9
77246-60050-	3-B6	-60091-	3-K6	82210-90803-	3-J7	-60061-	3-A8	-90815-	3-J8	86160-60011-	3-D9
77247-60040-	3-B6	81153-89117-	3-K6	-90804-	3-J7	83110-60133-	3-A8	-90808-	3-J8	-60012-	3-D9
77249-60020-	3-B6	-95188-	3-K6	-90805-	3-J7	-60152-	3-A8	-90810-	3-J8	-60013-	3-D9
77250-61040-	3-F6	81240-90300-	3-E7	-90811-	3-J7	83152-60010-	3-A8	-90811-	3-J8	-60020-	3-D9
-61050-	3-F6	-90301-	3-E7	-90822-	3-J7						
				-90823-	3-J7	-60020-	3-A8	85135-90300-	3-J8	-60021-	3-D9
77251-60131-	3-E6	-90800-	3-E7	-90836-	3-J7	-60070-	3-A8	85160-90300-	3-J8	-60022-	3-D9
-60151-	3-E6	-90801-	3-E7	-90839-	3-J7	-60090-	3-A8	-90302-	3-J8	86211-60030-	3-C9
77255-60081-	3-F6	81241-90300-	3-E7	-90840-	3-J7	81134-60020-	3-A8	85168-55010-	3-J8	86212-60030-	3-C9
77260-60030-	3-F6	-90800-	3-E7	-90846-	3-J7	-60090-	3-A8	85185-25040-	3-J8	86300-60010-	3-E9
-60070-	3-F6	81270-60071-	3-B7	-90866-	3-J7	83145-60010-	3-A8	85190-90305-	3-J8	86391-27011-	3-E9
77263-60021-	3-B6	-60091-	3-B7	82213-90800-	3-J7	8310-60014-	3-A8	85192-90300-	3-K8	86510-60120-	3-F9
77293-60030-	3-F6	81271-14010-	3-B7	82214-90800-	3-J7	8320-60051-	3-F8	85195-95700-	3-K8	-60130-	3-F9
77310-12090-	3-E6	81272-10010-	3-B7	82215-90802-	3-J7	85361-20030-	3-E6	85209-90800-	3-K8	86520-60110-	3-F9
-12100-	3-E6	81278-60090-	3-B7	-90803-	3-J7			85220-90304-	3-K8	-60120-	3-F9
-35061-	3-E6	81370-60010-	3-E7	82220-90472-	3-J7	83390-60010-	3-F8	-90800-	3-K8	86591-90301-	3-F9
77311-12030-	3-E6	-60040-	3-E7	-90474-	3-J7	83391-12050-	3-F8	85221-90800-	3-K8	86650-25040-	3-H8
77319-60010-	3-F6	81402-29016-	3-F8	-90804-	3-J7	83410-60015-	3-A8	-90801-	3-K8	87104-60094-	3-K9
-60020-	3-F6	81510-60037-	3-L6	-90805-	3-J7	83420-20020-	3-F8	85291-90301-	3-K8	-60171-	3-K9
77601-60041-	3-F6	-69136-	3-L6	-90814-	3-J7	83510-60013-	3-A8	85202-90301-	3-K8	-60181-	3-K9
77602-60021-	3-F6	81511-60211-	3-L6	-90830-	3-J7	-60051-	3-A8	85316-20130-	3-A9	-87003-	3-K9
77606-60020-	3-F6	81512-60210-	3-L6								

## ILLUSTRATED INDEX


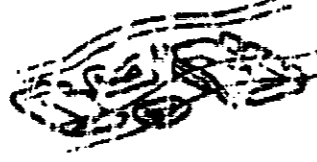
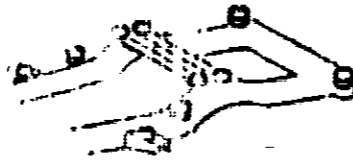
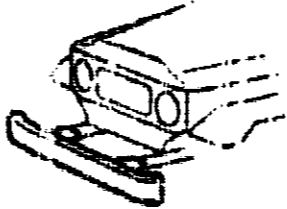
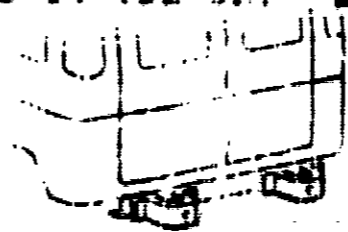
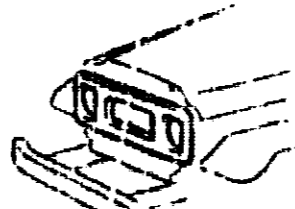
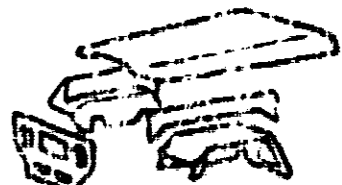
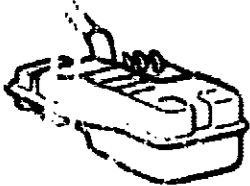
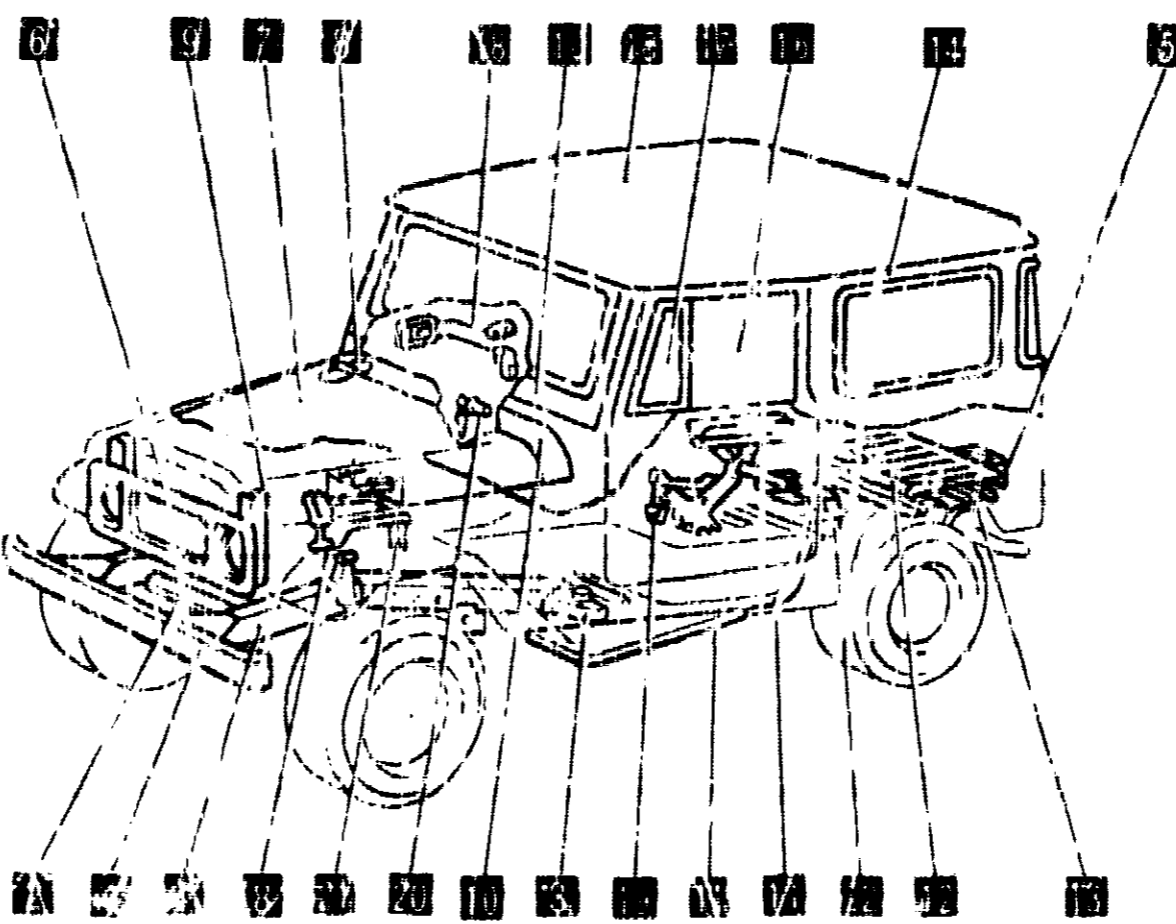
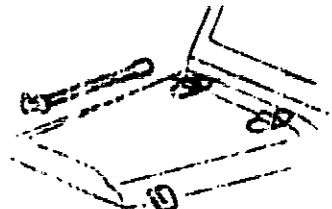

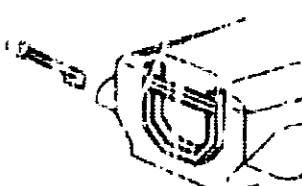
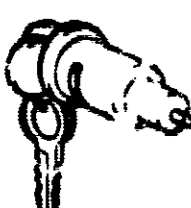



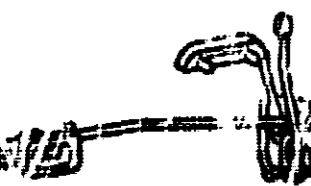

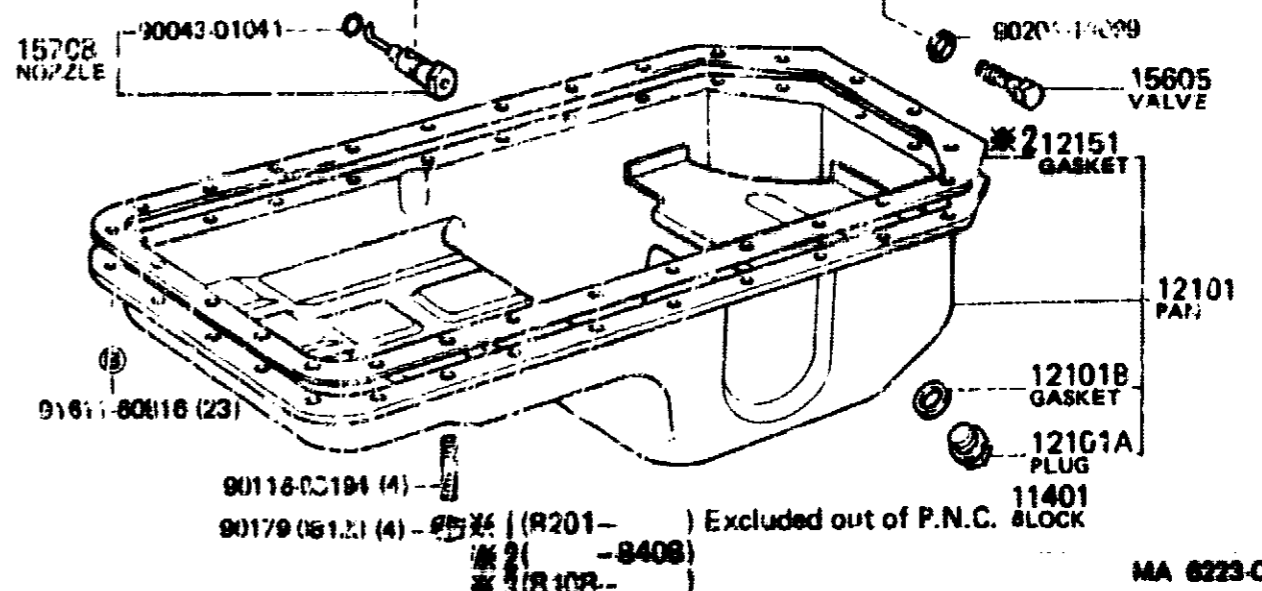
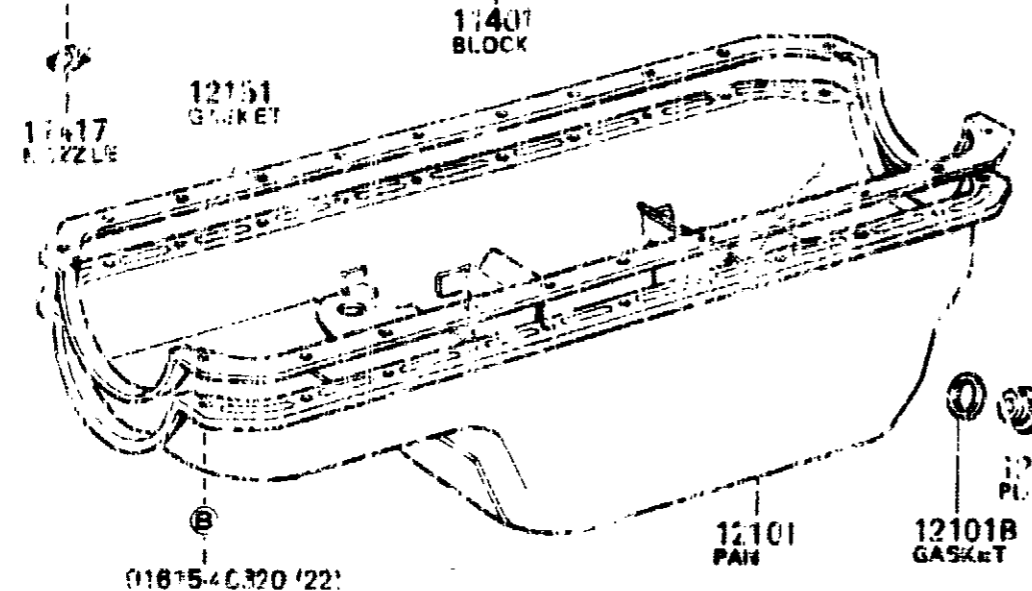
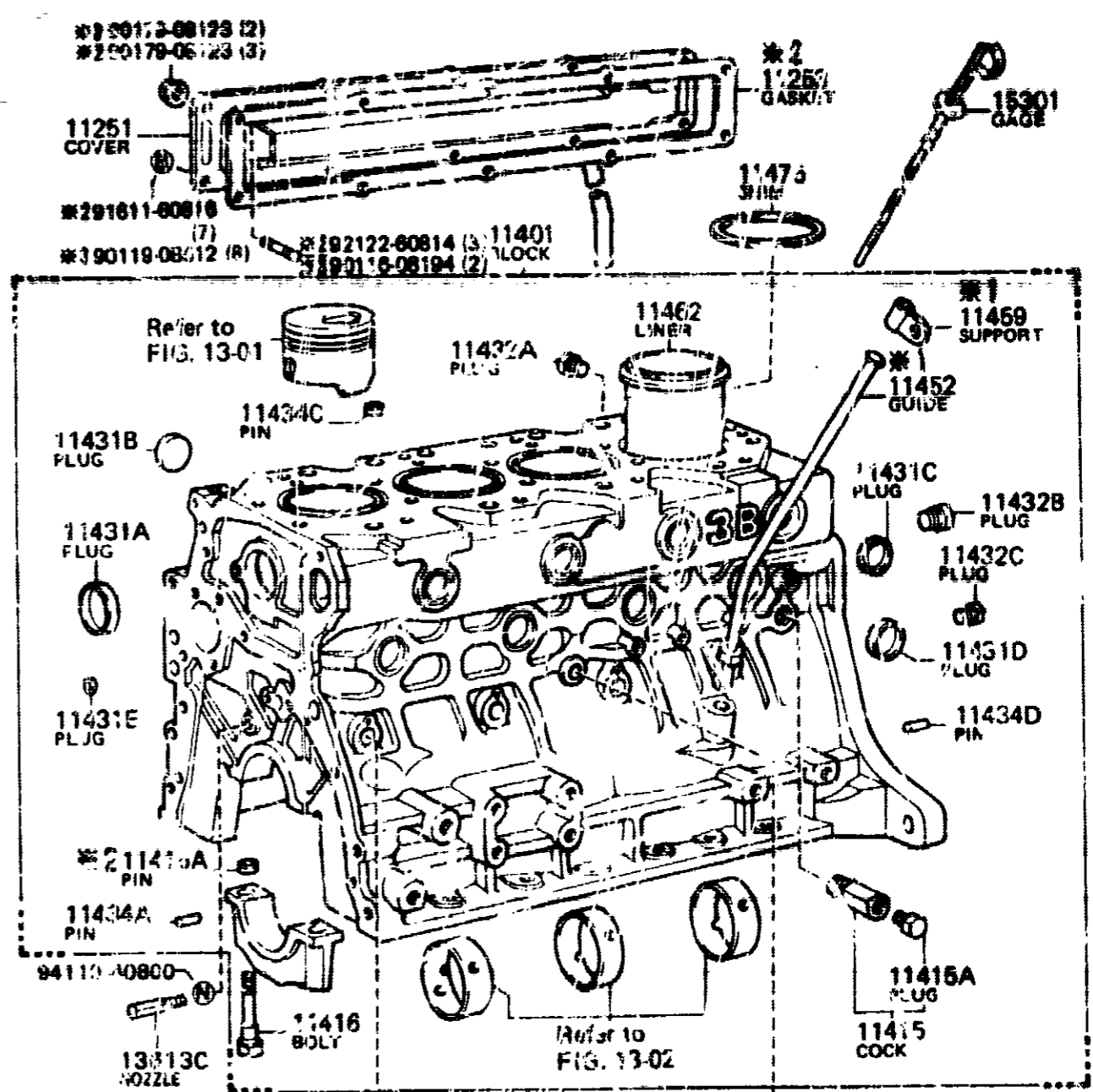
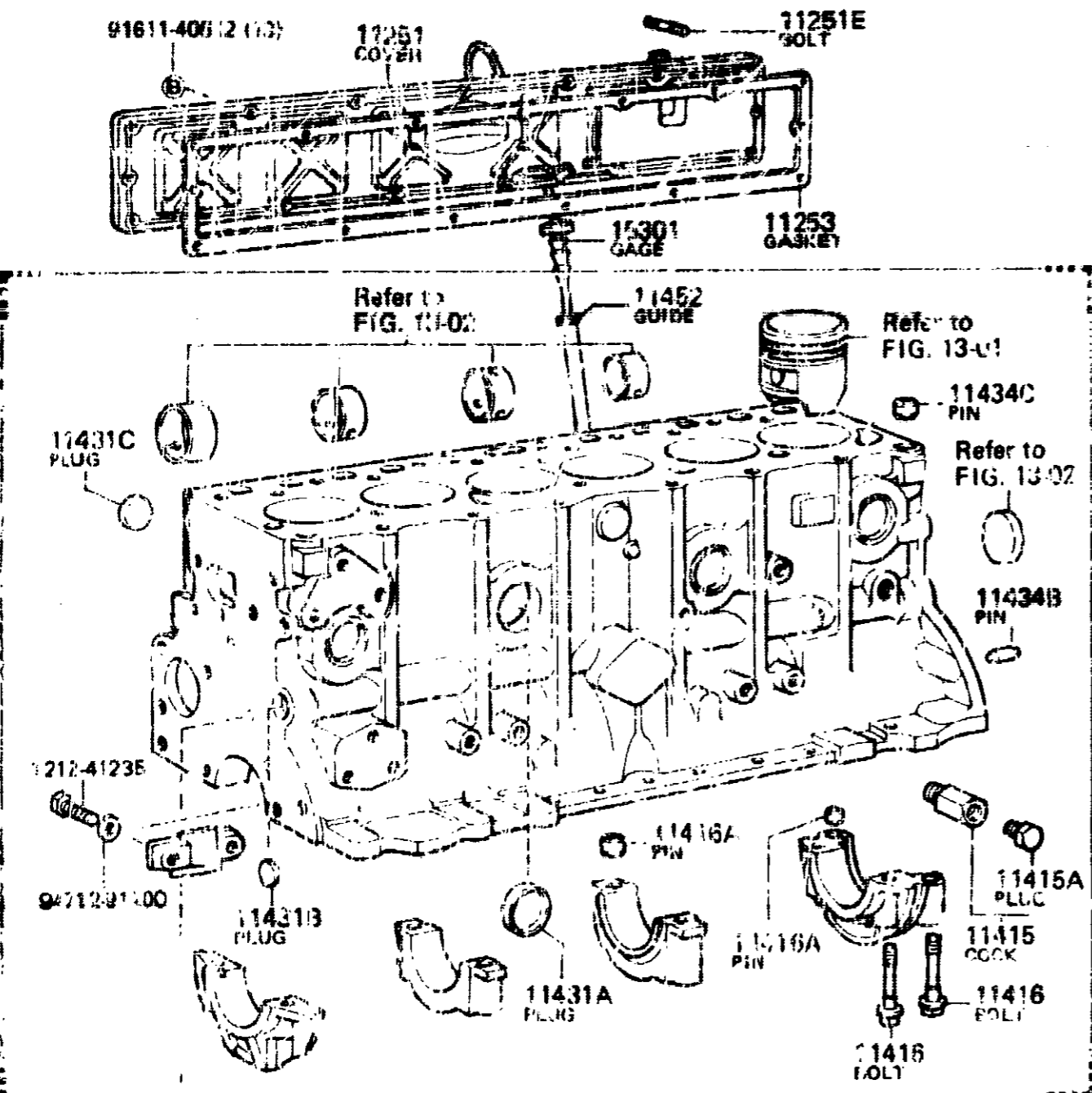
<p>3-A1 (51-51)</p>  <p>Frame</p>	<p>3-C1 (51-52)</p>  <p>Cross member &amp; Under Cover</p>	<p>3-F1 (52-51)</p>  <p>Cab &amp; Body Mounting</p>	<p>3-H1 (52-52)</p>  <p>Front Bumper &amp; Stay</p>	<p>3-I1 (52-53)</p>  <p>Rear Bumper &amp; Stay</p>	<p>3-J1 (53-51)</p>  <p>Radiator Grille</p>	<p>3-K1 (53-54)</p>  <p>Hood &amp; Front Fender</p>
<p><b>BODY GROUP (1/2)</b></p>						
<p>3-A6 (77-51)</p>  <p>Fuel Tank &amp; Tube</p>						<p>3-I1 (53-54)</p>  <p>Hood Lock &amp; Hinge</p>
<p>3-H5 (74-54)</p>  <p>Battery Carrier</p>						<p>3-A2 (53-55)</p>  <p>Front Fender Apron</p>
<p>3-L4 (67-67)</p>  <p>Lock Cylinder Set</p>						<p>3-G2 (55-55)</p>  <p>Cowl Panel &amp; Glass</p>
<p>3-E4 (67-54)</p>  <p>Front Door Regulator &amp; Hinge</p>						<p>3-I2 (58-51)</p>  <p>Front Floor Plate &amp; Member</p>
<p>3-C4 (67-53)</p>  <p>Rear Door Lock &amp; Handle</p>						<p>3-A4 (67-52)</p>  <p>Ventilator Window</p>

FIG. 11-05 CYLINDER BLOCK

1-11

(8)08-6307)2F

(8)08- )3E



M41722A

M41732A

MA 6223-C

MA6223B 174-11-0064

PROD. DATE	MODELS	DESCRIPTION	PART NUMBER	REV. REF. CODE		PROD. DATE	MODELS	DESCRIPTION	PART NUMBER	REV. REF. CODE	
				FROM	UP TO					FROM	UP TO
		13503   SHAFT SUB-ASSY, IDLE GEAR CONTINUED									
8408-8410	3B..BJ42		13504-56030-	1	80						
		13521   GEAR OR SPROCKET, CRANKSHAFT TIMING									
8008-8309	2F..FJ40		13521-60010-	1	1						
8008-8408	3B..BJ42	N#22	13521-56020-	1	1						
8408-8410	3B..BJ42		13521-56030-	1	80						
		13521A   KEY (FOR CRANKSHAFT TIMING GEAR)									
8008-8309	2F..FJ40		90280-05010-	1	1						
8008-8410	3B..BJ42		95151-10519-	1	80						
		13525   GEAR, IDLE, NO. 1									
8008-8408	3B..BJ42		13525-56010-	1	1						
8408-8410	3B..BJ42		13508-56010-	1	80						
		13572   PLATE, IDLE GEAR THRUST									
8008-8408	3B..BJ42		13572-56010-	1	1						
8408-8410	3B..BJ42		13572-56020-	1	80						
		13577A   BOLT, HEXAGON (FOR IDLE GEAR BOLT LOCK)									
8008-8410	3B..BJ42		90119-10208-	1	80						
		13707A   UNION (FOR OIL PIPE, NO. 1)									
8008-8410	3B..BJ42		90044-01010-	1	80						

PROD. DATE	MODELS	DESCRIPTION	PART NUMBER	REV. REF. CODE	
				FROM	UP TO
FIG.	16-01 WATER PUMP				
	1 16100	PUMP ASSY, WATER			
8008-8110	2F..FJ40..CND		16100-61071-	1	1 6
8008-8309	2F..FJ40..USA		16100-61130-	1	1
8008-8110	3B..BJ42		16100-59095- <del>(16100-59095-</del>	1	1 6
8110-8410	3B..BJ42		16100-59105-	1	7 80
	1 16100C	PLUG, W/HEAD TAPER SCREW			
8008-8410	3B..BJ42		15184-15010-	1	1 80
	1 16100K	PUMP KIT, WATER			
8008-8110	3B..BJ42		04161-56050-	1	1 6
8110-8410	3B..BJ42		04161-56080-	1	7 80
	1 16100L	ROTOR KIT, WATER PUMP			
8008-8309	2F..FJ40		04162-61020-	1	1
	1 16104	SEAL SET, WATER PUMP			
8110-8309	2F..FJ40		16104-41111-	1	7
8110-8410	3B..BJ42		16104-52011- <del>(16104-52012-</del>	1	7 80
8008-8110	3B,2F..BJ42..FJ40		16104-41111-	1	1 6
	1 16110	PUMP ASSY, WATER, W/D COUPLING			
8008-8110	2F..FJ40..CND		16110-61071-	1	1 6
8008-8309	2F..FJ40..USA		16110-61081-	1	1
	1 16117	PLATE, WATER PUMP			
8008-8309	2F..FJ40		16117-61012-	1	1
8008-8410	3B..BJ42		16117-56040-	1	1 80
	1 16119	GASKET, WATER PUMP BODY			
8008-8410	3B..BJ42		16119-56040-	1	1 80
	1 16124	GASKET, WATER PUMP COVER			
8008-8309	2F..FJ40		16124-61012-	1	1

PROD. DATE	MODELS	DESCRIPTION	PART NUMBER	REV. REF. CODE	
				FROM	UP TO
	1 16131	ROTOR, WATER PUMP			
8008-8309	2F..FJ40		16131-61071-	1	1
8008-8110	3B..BJ42		16131-56020-	1	1 6
8110-8410	3B..BJ42		16131-56040-	1	7 80
	1 16131A	BEARING, WATER PUMP			
8008-8309	2F..FJ40		90369-35007-	1	1
8008-8110	3B..BJ42		90369-36028-	1	1 6
8110-8410	3B..BJ42		90369-36001-	1	7 80
	1 16141	WIRE, WATER PUMP BEARING RETAINING			
8008-8110	3B..BJ42		16141-60010-	1	1 6
8110-8410	3B..BJ42		16141-76010-	1	7 80
	1 16171	SEAT, WATER PUMP PULLEY			
8008-8309	2F..FJ40		16171-61071-	1	1
8008-8110	3B..BJ42		16171-38022-	1	1 6
8110-8410	3B..BJ42		16171-61071-	1	7 80
	1 16210	COUPLING ASSY, FLUID			
8008-8110	2F..FJ40..CND		16210-61071-	1	1 6
8008-8309	2F..FJ40..USA		16210-61120-	1	1
8008-8110	3B..BJ42		16210-36020-	1	1 6
8110-8410	3B..BJ42		16210-56040-	1	7 80
	1 16241	BOLT, STUD (FOR WATER PUMP COUPLING)			
8008-8309	2F..FJ40		16198-41050-	4	1
8008-8110	3B..BJ42		16198-33030-	4	1 6
8110-8410	3B..BJ42		16198-41170-	4	7 80
	1 16271	GASKET, WATER PUMP			
8008-8309	2F..FJ40		16271-60011-	1	1
8008-8410	3B..BJ42		16271-56020-	1	1 80
	1 16371	PULLEY, FAN			
8008-8309	2F..FJ40		16173-61070-	1	1



PROD. DATE	MODELS	DESCRIPTION	PART NUMBER	QTY	REV. REF. CODE		PROD. DATE	MODELS	DESCRIPTION	PART NUMBER	QTY	REV. REF. CODE	
					FROM	UP TO						FROM	UP TO
	17420A	BRACKET, EXHAUST PIPE CENTER (FOR FRONT)						17586	BRACKET, HEAT INSULATOR, NO. 1				
8008-8309	2F..FJ40..USA	UPR	17503-61010-	1	1		8008-8309	2F..FJ40	W/POWER ST EERING	17586-61030-	1	1	
8008-8309	2F..FJ40..USA	LWR	17590-61010-	1	1		8008-8309	2F..FJ40..USA		17586-61011-	1	1	
	17420D	BOLT OR RING, EXHAUST PIPE CENTER (FOR FRONT)					6210-8410	3B..BJ42	W/POWER ST EERING	17586-61030-	1	19	80
8008-8309	2F..FJ40..USA		90301-53001-	2	1								
	17420T	CUSHION, EXHAUST PIPE CENTER (FOR REAR)						17587	BRACKET, HEAT INSULATOR, NO. 2				
8008-8410	3B, 2F..BJ42, FJ40		17567-61030-	1	1	80	8008-8309	2F..FJ40	W/POWER ST EERING	17587-61020-	1	1	
	17430	PIPE ASSY, TAIL					8008-8309	2F..FJ40..USA		17587-61011-	1	1	
8008-8110	2F..FJ40..CND		17430-61040-	1	1	6	8210-8410	3B..BJ42	W/POWER ST EERING	17587-61020-	1	19	80
8008-8309	2F..FJ40..USA		17430-61120-	1	1								
8008-8410	3D..BJ42		17430-56310-	1	1	80							
	17430B	BRACKET, TAIL PIPE (FOR REAR)											
8008-8309	2F..FJ40		17509-61020-	1	1								
8008-8410	3B..BJ42		17509-56020-	1	1	80							
	17435	INSULATOR, EXHAUST PIPE HEAT											
8008-8309	2F..FJ40	W/POWER ST EERING	17435-61030-	1	1								
8008-8309	2F..FJ40..USA		17435-61011-	1	1								
	17451	GASKET, EXHAUST PIPE											
8008-8309	2F..FJ40		90917-06024-	3	1								
8008-8410	3B..BJ42		90917-06012-	2	1	80							
	17505	INSULATOR SUB-ASSY, EXHAUST PIPE HEAT NO. 1											
8008-8309	2F..FJ40..USA		17552-61030-	1	1								
	17552	INSULATOR, EXHAUST PIPE HEAT, NO. 2											
8008-8107	3B..BJ42		17552-56010- (17552-56011- )	1	1								
8107-8410	3B..BJ42		17552-56011-	1		80							

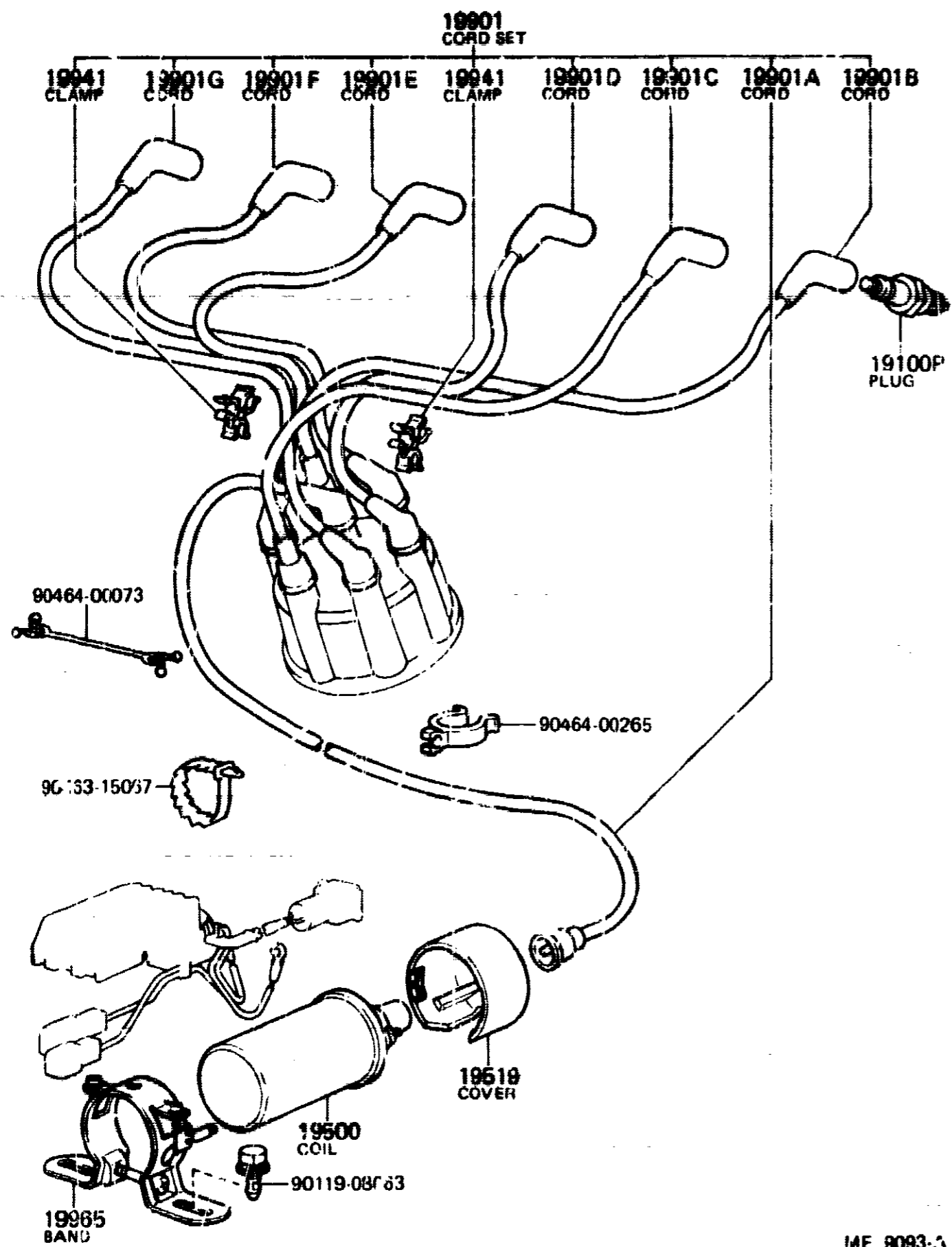


FIG. 19-01 IGNITION COIL & SPARK PLUG

1-15

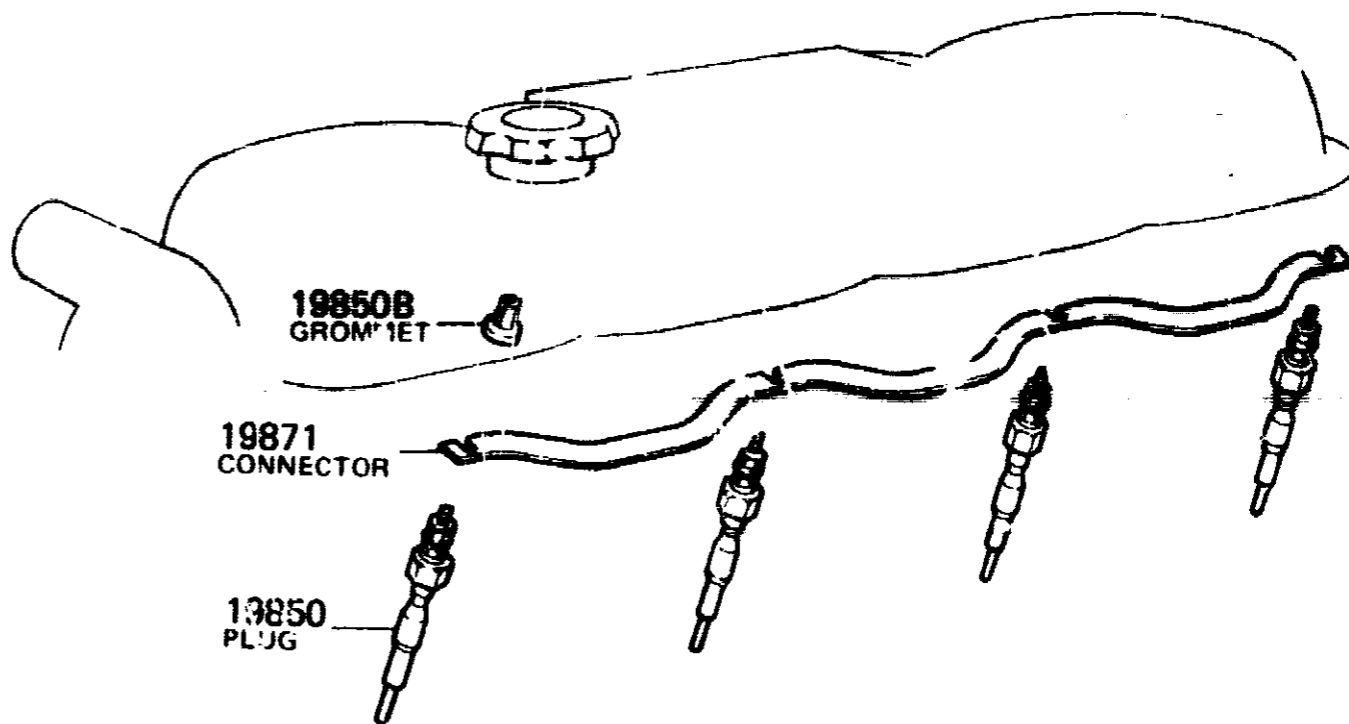
(8008-8309)2F

(8008- 13B



ME 9093-A

ME9093A



ME 9358

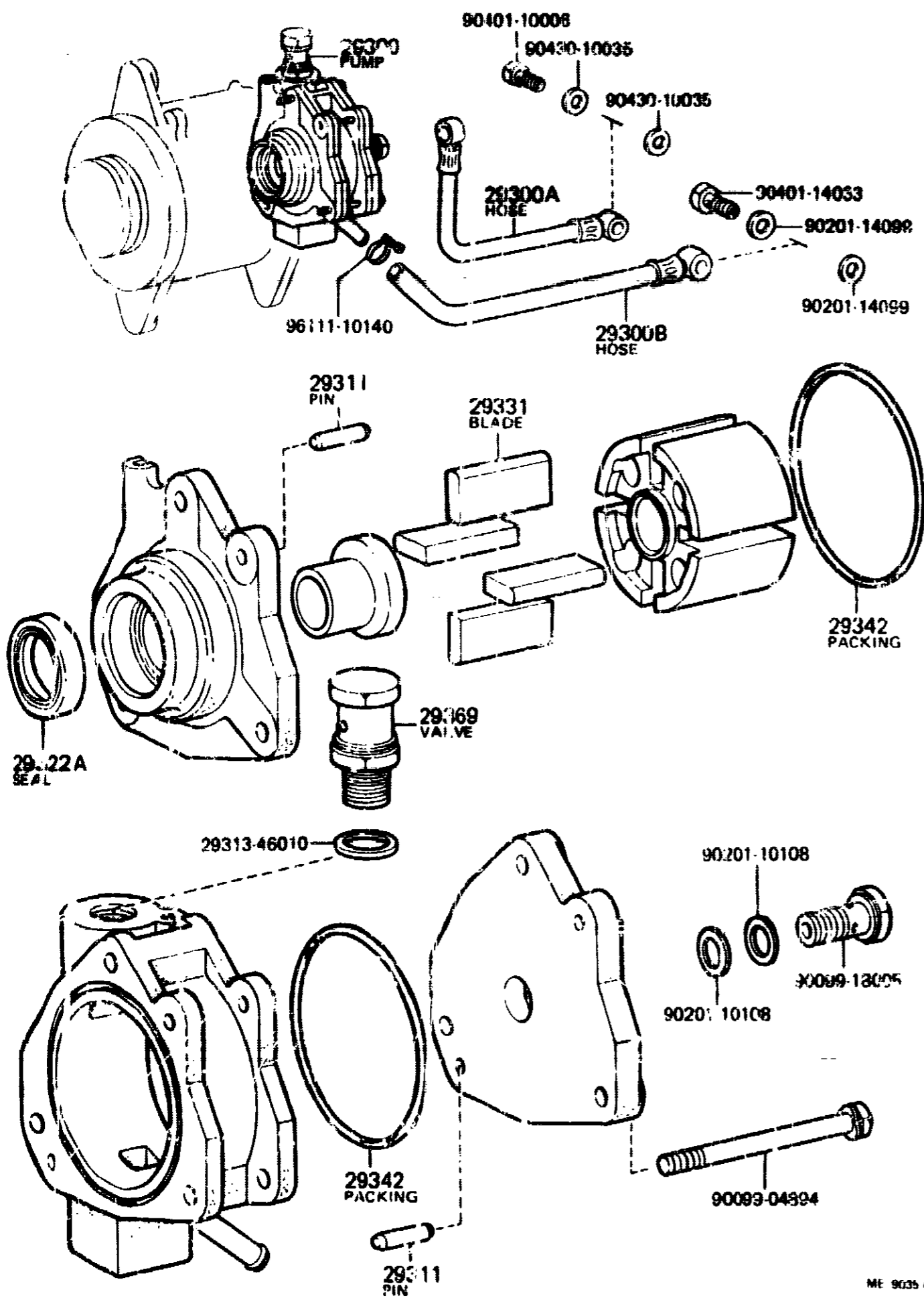
ME9358 174-11-000

FIG. 19-05 VACUUM PUMP

1-16

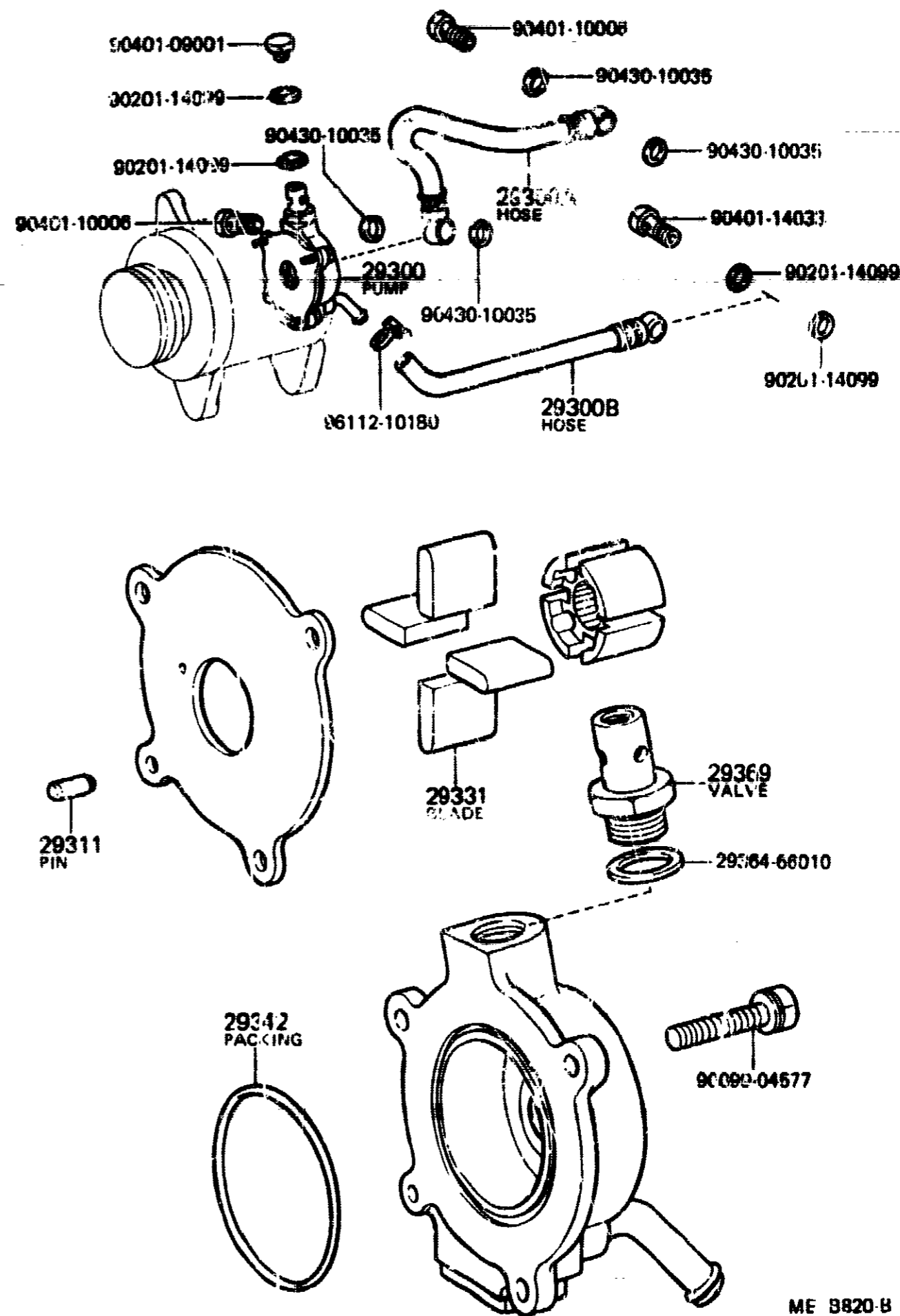
(8008-8204)3B

(9204- )3B



ME 9035 A

ME9035A



ME 8820 B








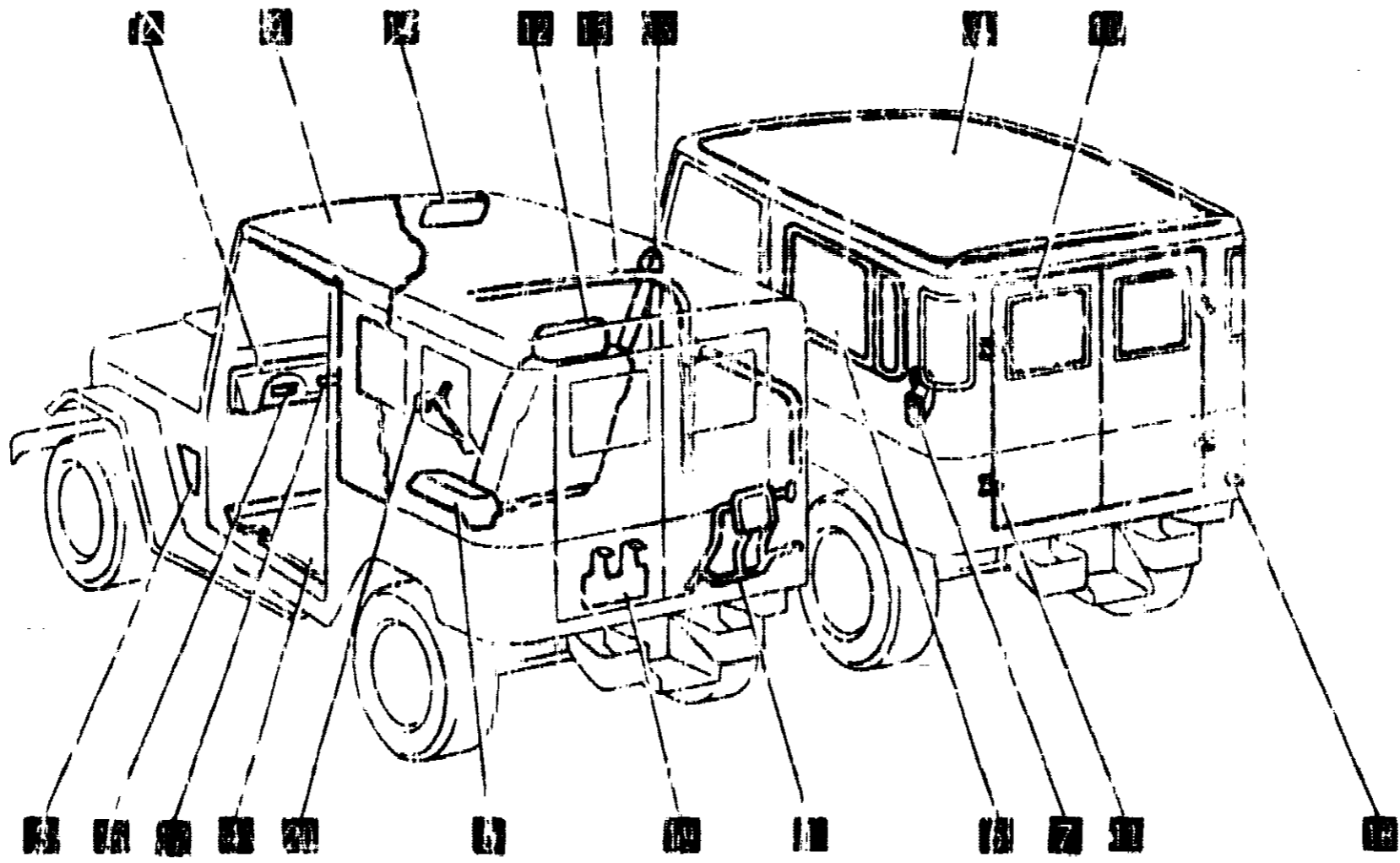





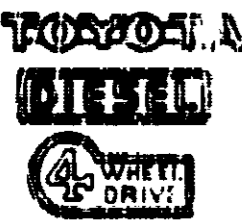
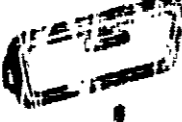
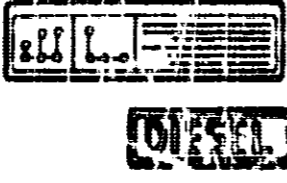
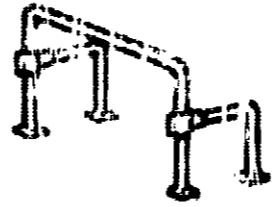



ME8820B 174-11-007

PROD. DATE	MODELS	DESCRIPTION	PART NUMBER	QTY	REV. REF. CODE		PROD. DATE	MODELS	DESCRIPTION	PART NUMBER	QTY	REV. REF. CODE	
					FROM	UP TO						FROM	UP TO
8008-8410	22143	SEAT, SPRING UPPER	22143-77020-	4	1	80	8008-8410	22161	PLATE, CAMSHAFT SHIM	22165-76010-	2	1	80
	3B..BJ42	CONTINUED						3B..BJ42	T=0.18				
8008-8410	22144	SPRING, PUMP PLUNGER	22144-46010-	4	1	80	8008-8410	3B..BJ42	T=0.50	22166-76010-	2	1	80
	3B..BJ42												
8008-8410	22145	SEAT, SPRING, LOWER	22145-46010-	4	1	80	8008-8410	22173	WASHER, SPRING	22173-46010-	1	1	80
	3B..BJ42												
8008-8410	22146	CAMSHAFT, INJECTION PUMP	22146-56010-	1		80	8008-8410	22174	SHAFT, SPLINE	22174-47010-	1	1	80
	3B..BJ42												
8008-8410	22146A	BEARING (FOR INJECTION CAMSHAFT)	90099-10037-	2	1	80	8003-8410	3B..BJ42		90099-13002-	1	1	80
	3B..BJ42												
8008-8410	22147	RING, CAMSHAFT ADJUST	22147-77020-	2	1	80	8008-8201	3B..BJ42	STAY, INJECTION PUMP BODY	22177-56041-	1	1	80
	3B..BJ42												
8008-8410	22148	SPRING, DELIVERY VALVE	22148-46010-	4	1	80	8201-8410	3B..BJ42		22177-56042-	1	31	80
	3B..BJ42												
8008-8410	22149	GASKET, DELIVERY VALVE	22149-76010-	4	1	80	8008-8410	22181	FLANGE, INJECTION PUMP	22181-56040-	1	1	80
	3B..BJ42												
8008-8410	22155	PINION, PLUNGER CONTROL	22155-76010-	4	1	80	8008-8410	22182	PLATE, TAPPET ADJUSTING SHIM	22182-46010-	4	1	80
	3B..BJ42												
8008-8410	22156	SCREW, PLUNGER CONTROL PINION CLAMP	22156-76010-	4	1	80	8008-8410	3B..BJ42	T=0.1	22183-46010-	4	1	80
	3B..BJ42												
8008-8410	22157	PLUG, INJECTION PUMP FELT PLATE	22157-48023-	4	1	80	8008-8410	3B..BJ42	T=0.2	22184-46010-	4	1	80
	3B..BJ42												
8008-8410	22161	PLATE, CAMSHAFT SHIM	22161-76010-	2	1	80	8008-8410	3B..BJ42	T=0.3	22185-46010-	4	1	80
	3B..BJ42	T=0.10											
8008-8410	3B..BJ42	T=0.12	22162-76010-	2	1	80	8008-8410	3B..BJ42	T=0.4	22186-46010-	4	1	80
8008-8410	3B..BJ42	T=0.14	22163-76010-	2	1	80	8008-8410	3B..BJ42	T=0.5	22186-48010-	4	1	80
8008-8410	3B..BJ42	T=0.16	22164-76010-	2	1	80	8008-8410	3B..BJ42	T=0.6	22187-46010-	4	1	80
							8008-8410	3B..BJ42	T=0.7	22188-46010-	4	1	80
							8008-8410	3B..BJ42	T=0.8	22189-46010-	4	1	80
							8008-8410	3B..BJ42	T=0.9	22189-48031-	4	1	80
							8008-8410	3B..BJ42	T=1.0	22189-48032-	4	1	80
							8008-8410	3B..BJ42	T=1.1	22189-48033-	4	1	80
							8008-8410	3B..BJ42	T=1.2	22189-48034-	4	1	80
							8008-8410	3B..BJ42	T=1.3	22189-48035-	4	1	80

PROD. DATE	MODELS	DESCRIPTION	R/P	PART NUMBER	QTY	REV. REF. CODE		PROD. DATE	MODELS	DESCRIPTION	R/P	PART NUMBER	QTY	REV. REF. CODE	
						FROM	UP TO							FROM	UP TO
8008-8309	2F..FJ40..USA	BOLT (FOR EGR PIPE CLAMP)		90117-06131-	1										
8008-8309	2F..FJ40..USA	COILER ASSY, EGR		25680-61030-	1										
8008-8309	2F..FJ40..USA	MODULATOR ASSY, EGR VACUUM		25870-61011-	1										
8008-8309	2F..FJ40..USA	HOSE (FOR EGR VACUUM MODULATOR)		90445-11014-	1										
8008-8309	2F..FJ40..USA	CLAMP (FOR EGR VACUUM MODULATOR)		90461-10448-	1										

PART NUMBER	LOCATION	PART NUMBER	LOCATION	PART NUMBER	LOCATION	PART NUMBER	LOCATION	PART NUMBER	LOCATION	PART NUMBER	LOCATION
87104-90A04-	3-K9	87296-60042-	3-G8	88541-10020-	3-L9	90099-10107-	1-H6	90116-10075-	2-A5	90210-10001-	2-J3
87105-22020-	3-K9	87294-60031-	3-A10	88550-60030-	3-L9	-10111-	1-C6	-12001-	1-H1	-12001-	1-H1
-87002-	3-K9	-60040-	3-K9	88570-55020-	3-L9	-10113-	1-F6	-10076-	2-D4	-13001-	1-H1
87107-60093-	3-K9	87295-60033-	3-A10	88605-60270-	3-H9	-10116-	1-C6	-10092-	1-E4	90213-06001-	2-F2
-60100-	3-K9	87810-90300-	3-G9	-60280-	3-F10	-10117-	3-J10	-10103-	2-A5	-06013-	2-H7
87110-60070-	3-K9	-90801-	3-G9	-60290-	3-E10	-10119-	1-H6	-10104-	2-D4	-07010-	2-H7
-60080-	3-K9	87828-12010-	3-G9	-60300-	3-H9	-10120-	1-F6	-10107-	2-A5	90214-42030-	2-D5
87123-10050-	3-K9	-90800-	3-G9	88610-60050-	3-L9	-10125-	1-C6	-10299-	1-E4	90215-09003-	2-F2
87130-60141-	3-K9	87834-14011-03	3-G9	88625-60020-	3-H9	-10126-	1-C6	-12007-	2-A8	-42025-	2-E5
-60150-	3-K9	87901-90303-	3-G9	88630-60020-	3-H9	-10130-	2-A4	-12007-	1-E4	90240-06158-	2-E7
-60170-	3-K9	87902-90301-	3-G9	88635-30370-	3-H9	-10133-	3-J10	-12321-	1-E4	-08007-	3-M1
87131-60170-	3-K9	87905-90301-	3-G9	88645-22020-	3-F10	-10137-	1-C6	90117-06131-	1-T8	-08042-	2-J6
-60190-	3-K9	87911-90300-	3-G9	88688-60020-	3-H9	-12010-	1-H7	90118-14107-	2-G8	90241-05002-	3-F2
87145-60031-	3-K9	88031-60010-	3-E10	-60150-	3-H9	-13001-	1-L7	-14108-	2-E8	-14017-	1-H2
87150-60037-	3-K9	88000-60001-	3-L9	-60160-	3-H9	-13002-	1-I7	-14158-	2-G8	90245-10001-	3-D1
-60033-	3-K9	-60082-	3-L9	88690-60010-	3-E10	-13011-	3-I10	-14015-	1-A8	-20001-	3-D1
87200-60251-	3-L9	88301-20050-	3-J10	88711-60060-	3-F10	-14020-	1-L5	-14191-	2-E8	90249-06068-	2-H7
-60271-	3-L9	88304-14010-	3-I10	-60090-	3-F10	-14023-	2-A4	-14192-	2-E8	-10017-	2-L6
-60272-	3-L9	88305-20070-	3-J10	88712-60080-	3-F10	-14028-	2-A4	90119-10003-	3-F1	-10047-	2-D1
87211-60031-	3-A10	88306-20040-	3-J10	88716-60150-	3-G10	-15017-	1-J6	-10207-	3-G1	90250-05034-	2-H2
-60110-	3-F2	88307-20050-	3-J10	-60240-	3-G10	-17112-	1-G6	-10208-	1-I2	-03202-	2-C2
-60120-	3-F2	-20050-	3-J10	-60260-	3-G10	-19251-	1-C6	90149-60001-	1-L2	-06009-	2-E2
-60131-	3-A10	88312-30250-	3-J10	88717-60070-	3-G10	-32103-	3-A9	90170-10014-	1-L2	-07057-	2-D5
-60140-	3-A10	88313-20070-	3-J10	88721-60020-	3-F10	-33332-	3-A9	-10021-	2-H6	-08120-	2-I4
-60160-	3-A10	88316-20070-	3-I10	88896-60030-	3-F10	-37005-	1-M5	-10074-	1-L2	-08120-	1-K1
87231-60032-	3-A10	88317-20030-	3-J10	-60040-	3-F10	-52065-	1-F6	-10198-	1-H2	-10006-	2-M2
-60034-	3-A10	88320-60040-	3-I10	88960-60011-	3-A10	90101-08041-	1-A5	-11002-	3-I6	-10059-	2-J5
-60102-	3-A10	-60041-	3-I10	89422-30020-	3-H8	-08173-	2-D1	-12010-	1-H2	-10192-	1-H2
-60103-	3-A10	88321-20061-	3-J10	89423-60020-	3-H8	-10069-	2-H6	-12015-	3-A4	-1021-	1-K1
-60110-	3-A10	88322-20040-	3-J10	89425-60045-	3-H8	-10089-	2-H6	-12166-	3-A4	-1021-	2-F2
-60112-	3-A10	88343-20040-	3-J10	89550-60030-	3-H8	-10264-	2-H6	-22058-	2-I5	-10214-	2-K1
-60120-	3-A10	88360-30270-	3-J10	89570-60050-	1-F5	-10439-	2-F7	-12021-	2-G7	-10215-	2-F2
-60121-	3-A10	88366-20050-	3-I10	-60060-	1-F5	-12029-	2-H5	-12029-	2-H5	-12146-	2-K1
87240-60010-	3-C10	88371-60030-	3-J10	-60070-	1-F5	-12060-	2-E7	90171-12028-	2-F6	-12216-	2-K1
-60031-	3-C10	-60070-	3-J10	90041-70901-	1-L2	-13001-	1-J1	90175-06003-	1-K1	90253-15005-	1-K1
-60040-	3-K9	88372-30280-	3-J10	90043-45027-	1-J1	90103-11010-	2-G3	-08008-	1-K4	-16014-	1-J1
87245-60040-	3-C10	88374-10020-	3-J10	90044-01010-	1-C3	-11013-	2-G3	90176-08014-	1-H1	-17003-	1-K1
-60041-	3-C10	88375-30260-	3-J10	-30026-	1-C3	-11014-	2-G3	90179-06150-	3-J8	-17007-	1-J1
-60070-	3-C10	88403-14030-	3-J10	-60053-	1-M5	-13002-	1-H2	-10010-	1-H4	-18002-	1-J1
-60080-	3-C10	-26030-	3-J10	90096-90001-	1-C8	-16003-	1-H2	-12047-	1-H2	90254-03004-	2-D3
-90A26-	3-C10	88410-14090-	3-J10	90099-90001-	1-C8	90106-12022-	2-A8	-12086-	2-F8	-05016-	2-D3
87247-20051-	3-C10	-22050-	3-J10	90099-02205-	1-G6	90109-06008-	2-M6	-14004-	3-I6	-20001-	2-H2
87248-60102-	3-C10	-22060-	3-I10	-02209-	1-C6	-10039-	3-F1	-20001-	2-B5	90280-03009-	1-B3
-60192-	3-C10	88411-14050-	3-I10	-02323-	1-G6	-16001-	1-J1	-22004-	2-E4	-03015-	2-D2
-60203-	3-C10	-14010-	3-I10	90099-04905-	3-I10	90112-10004-	3-H1	-22005-	2-I2	-05008-	2-A6
-60251-	3-C10	88431-60100-	3-J10	-04926-	3-I10	-10016-	3-H1	-3002-	2-B2	-05010-	1-I3
-60252-	3-C10	-60170-	3-J10	-04948-	1-L7	90113-08001-	2-F2	-3002-	2-B2	-10214-	2-K1
-60260-	3-C10	88440-20060-	3-K10	-07047-	1-H6	-10003-	2-I4	90189-04024-	1-J5	-10215-	2-F2
-60280-	3-C10	88441-60020-	3-J10	-07048-	1-C6	90105-11010-	2-G3	90201-06177-	1-L2	-12146-	2-K1
-60291-	3-C10	88460-60050-	3-F10	-07094-	3-C10	-11013-	2-G3	90175-06003-	1-K1	-12216-	2-K1
-60300-	3-C10	88470-20070-	3-F10	-07103-	1-C6	-11014-	2-G3	-08008-	1-K4	90253-15005-	1-K1
-60311-	3-C10	88477-60030-	3-F10	-07104-	1-L5	-13002-	1-H2	90176-08014-	1-H1	-16014-	1-J1
-60390-	3-C10	88501-30531-	3-L9	-07108-	1-C6	-16003-	1-H2	90179-06150-	3-J8	-17003-	1-K1
-60400-	3-C10	88510-60080-	3-L9	-07109-	1-L5	90106-12022-	2-A8	-10010-	1-H4	-17007-	1-J1
-90A06-	3-C10	88515-12051-	3-L9	-07114-	3-L10	90109-06008-	2-M6	-12047-	1-H2	-18002-	1-J1
87249-60104-	3-C10	88536-60120-	3-L9	-08058-	3-J10	-10039-	3-F1	-12086-	2-F8	90254-03004-	2-D3
-60121-	3-C10	-60160-	3-L9	-08082-	1-J6	-16001-	1-J1	-14004-	3-I6	-05016-	2-D3
-60122-	3-C10	-60161-	3-L9	-10018-	1-C8	-10001-	1-J1	-20001-	2-B5	90280-03009-	1-B3
87251-30190-	3-C10	-60170-	3-L9	-10039-	1-G3	90106-12022-	2-A8	-22004-	1-H2	-03015-	2-D2
-30200-	3-C10	88539-30250-	3-L9	-10040-	1-G6	90109-06008-	2-M6	-22005-	2-I2	-05008-	2-A6
-60041-	3-D10	-30520-	3-L9	-10087-	1-I7	-10039-	3-F1	-3002-	2-B2	-05010-	1-I3
87281-60101-	3-A10	88541-10010-	3-L9	-04926-	3-I10	-10074-	2-A5	90189-04024-	1-J5	-10214-	2-K1
-60151-	3-A10	-30520-	3-L9	-04948-	1-L7	-10087-	2-D4	90201-06177-	1-L2	-10215-	2-F2
-60152-	3-A10	-30520-	3-L9	-07047-	1-H6	-10087-	2-D4	-08106-	1-M7	-12146-	2-K1

# ILLUSTRATED INDEX

<p>3-D1 (51-53) </p> <p>Spare Wheel Carrier</p>	<p>3-G2 (55-51) </p> <p>Instrument Panel</p>	<p>3-F2 (55-52) </p> <p>Front Ventilator</p>	<p>3-M2 (48-54) </p> <p>Floor Mat &amp; Pad</p>	<p>3-A5 (58-55) </p> <p>Trunk Box</p>	<p>3-E3 (61-52) </p> <p>Side Window</p>	<p>3-H3 (61-55) </p> <p>Floor &amp; Rear Ventilator</p>		
<h2>BODY GROUP (2/2)</h2> 							<p>3-I3 (64-52) </p> <p>Roof Headlining &amp; Pad</p>	
<p>3-H6 (78-51) </p> <p>Accelerator Link</p>								<p>3-J3 (65-53) </p> <p>Top Curtain &amp; Roof Panel</p>
<p>3-M5 (75-54) </p> <p>Trunk Box &amp; License Bracket</p>								<p>3-G4 (67-61) </p> <p>Rear Door Panel &amp; Glass</p>
<p>3-L5 (75-51) </p> <p>Emblem &amp; Name Plate</p>	<p>3-J5 (76-51) </p> <p>Ash Receptacle</p>	<p>3-I5 (74-55) </p> <p>Caution Plate</p>	<p>3-Q5 (74-53) </p> <p>Handrail &amp; Pipe</p>	<p>3-F5 (74-51) </p> <p>Armrest &amp; Visor</p>	<p>3-E5 (71-52) </p> <p>Seat Belt</p>	<p>3-B5 (71-51) </p> <p>Seat &amp; Seat Track</p>		



PROD. DATE	MODELS	DESCRIPTION	PART NUMBER	REV. REF. CODE	
				FROM	UP TO
FIG.	11-05	CYLINDER BLOCK			
	11251	COVER, VALVE PUSH ROD			
8008-8309	2F..FJ40		11203-61011-	1	1
8008-8408	3B..BJ42		# 11203-56030- (11203-56040- (12251-56040-)	1	1
8408-8410	3B..BJ42		11203-56040-	1	80
	112312	BOLT, STUD (FOR VALVE PUSH ROD COVER)			
8008-8309	2F..FJ40	LN29, S=7&1 8	90116-06306-	2	1
	11253	GASKET, VALVE PUSH ROD COVER			
8008-8309	2F..FJ40		11253-60010-	1	1
8008-8408	3B..BJ42		11253-56010-	1	1
	11401	BLOCK SUB-ASSY, CYLINDER			
8008-8309	2F..FJ40		A 11401-69655-	1	1
8008-8201	3B..BJ42		X 11401-59075-	1	30
8201-8209	3B..BJ42		# 11401-59115- (11401-59225-)	1	51
8209-8403	3B..BJ42		# 11401-59225- (11401-59226-)	1	1
8403-8408	3B..BJ42		# 11401-59226- (11401-59227-) (91611-60820-)	1	1
8408-8410	3B..BJ42		11401-59305-	1	80
	11415	COCK SUB-ASSY, WATER DRAIN (FOR CYLINDER BLOCK)			
8407-8410	2F..FJ40		96431-03833-	1	80
8407-8410	3B..BJ42		90910-09070-	1	80
8008-8407	3B..2F..BJ42, FJ40		96431-03833-	1	1
	11415A	PLUG, WATER DRAIN COCK (FOR CYLINDER BLOCK)			
8407-8410	2F..FJ40		96431-23814-	1	80
8407-8410	3B..BJ42		90910-09072-	1	80
8008-8407	3B..2F..BJ42, FJ40		96431-23814-	1	1

PROD. DATE	MODELS	DESCRIPTION	PART NUMBER	REV. REF. CODE	
				FROM	UP TO
	11416	BOLT (FOR CRANKSHAFT BEARING CAP SET)			
8008-8309	2F..FJ40	FR, X14-2.0# PX67-29	90910-02054- (90105-14033-)	0	1
8008-8309	2F..FJ40	RR, X12-1.7# 5PX68-26	90910-02057-	4	1
8008-8408	3B..BJ42	X13-1.5PX7 8.5-20	90101-13001-	10	1
8408-8410	3B..BJ42	X16-2PX86. 5-32	90109-16001-	10	80
	11416A	PIN, RING (FOR CRANKSHAFT BEARING CAP SET)			
8008-8309	2F..FJ40	NO.4	90255-15014-	2	1
8008-8309	2F..FJ40	NO.1,2,3	90253-17007-	6	1
8008-8408	3B..BJ42		90253-18002-	10	1
	11417	NOZZLE, OIL			
8008-8309	2F..FJ40		90915-01014-	1	1
	11431A	PLUG, TIGHT, NO.1 (FOR CYLINDER BLOCK)			
8008-8309	2F..FJ40	OD=50	96411-45000-	5	1
8008-8410	3B..BJ42	OD=51	90331-51032-	2	80
	11431E	PLUG, TIGHT, NO.2 (FOR CYLINDER BLOCK)			
8008-8309	2F..FJ40		90330-24013-	2	1
8008-8410	3B..BJ42	OD=28	96411-12800-	4	80
	11431C	PLUG, TIGHT, NO.3 (FOR CYLINDER BLOCK)			
8008-8309	2F..FJ40	OD=25	96411-42500-	4	1
8008-8410	3B..BJ42	OD=30	96411-13000-	5	80
	11431D	PLUG, TIGHT, NO.4 (FOR CYLINDER BLOCK)			
8008-8410	3B..BJ42	OD=35	96411-13500-	4	80
	11431E	PLUG, TIGHT, NO.5 (FOR CYLINDER BLOCK)			
8008-8410	3B..BJ42	OD=14	96411-11400-	3	80
	11472A	PLUG, W/HEAD TAPER SCREW, NO.1			
8008-8410	3B..BJ42		90043-45027-	3	80

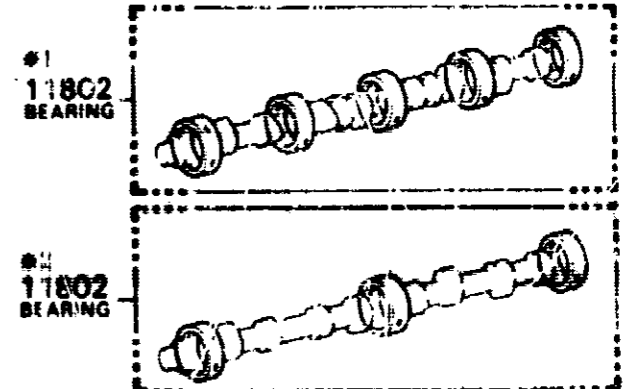
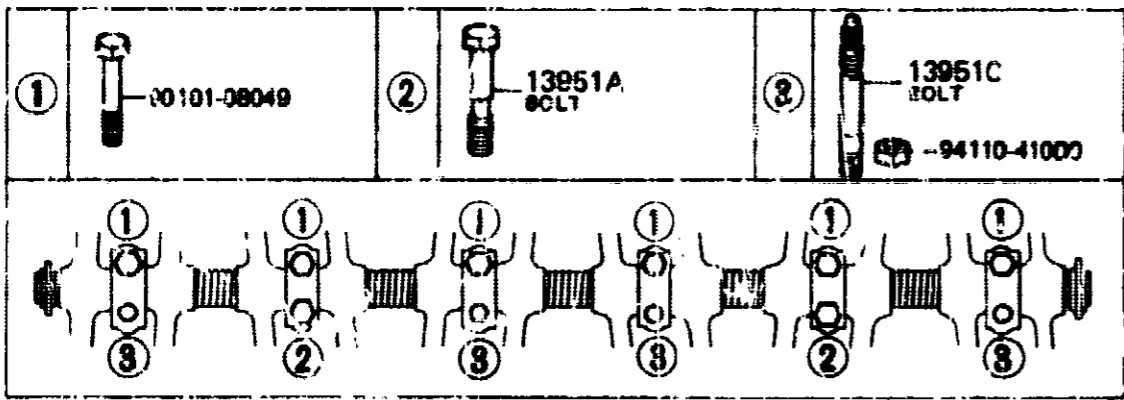
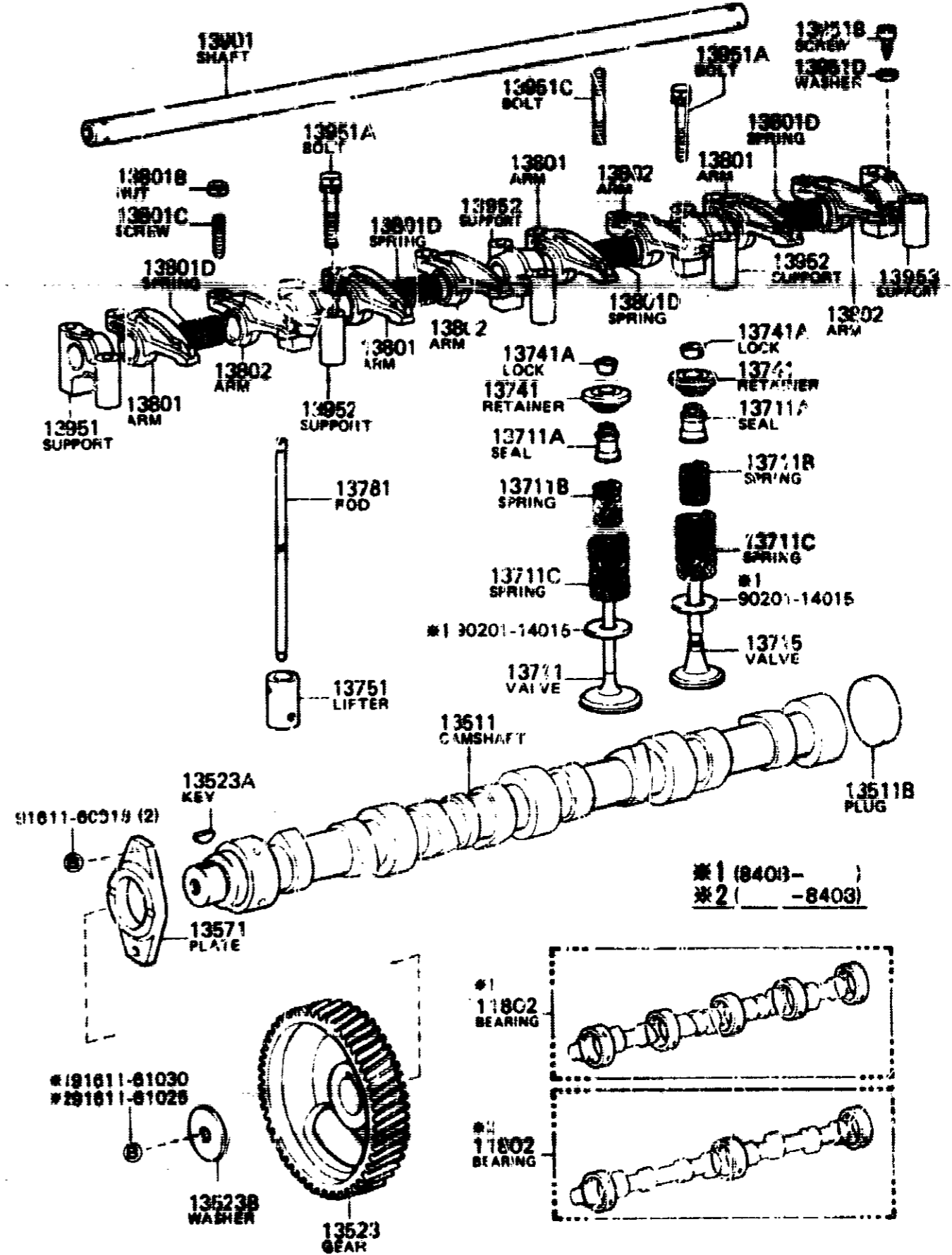
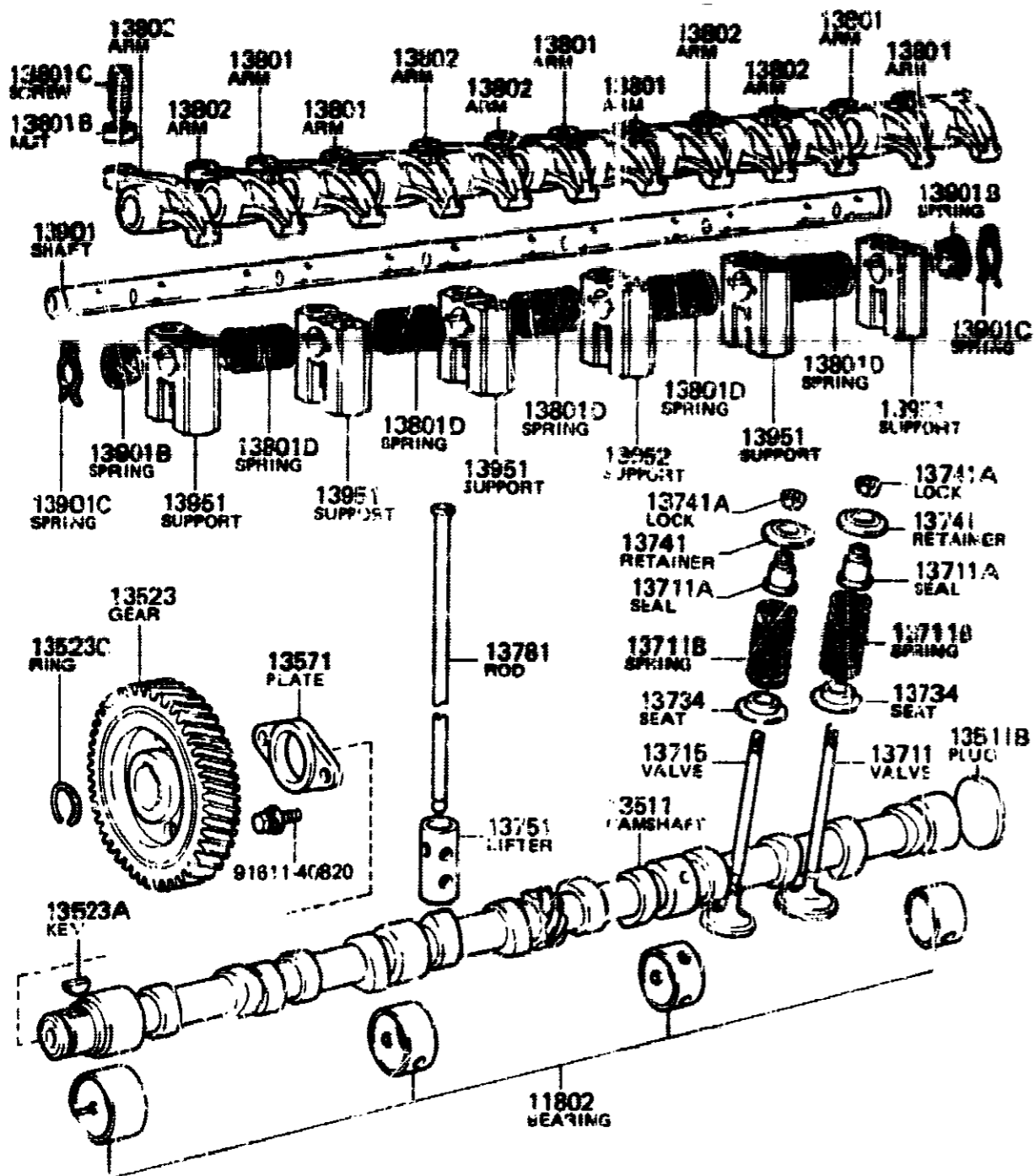
Ø - Ø PX Ø - Ø #  
Outside diameter - Pitch x Bolt length - Thread length

FIG. 13-02 CAMSHAFT & VALVE

1-32

(8008-8309)2F

(8008- )3B





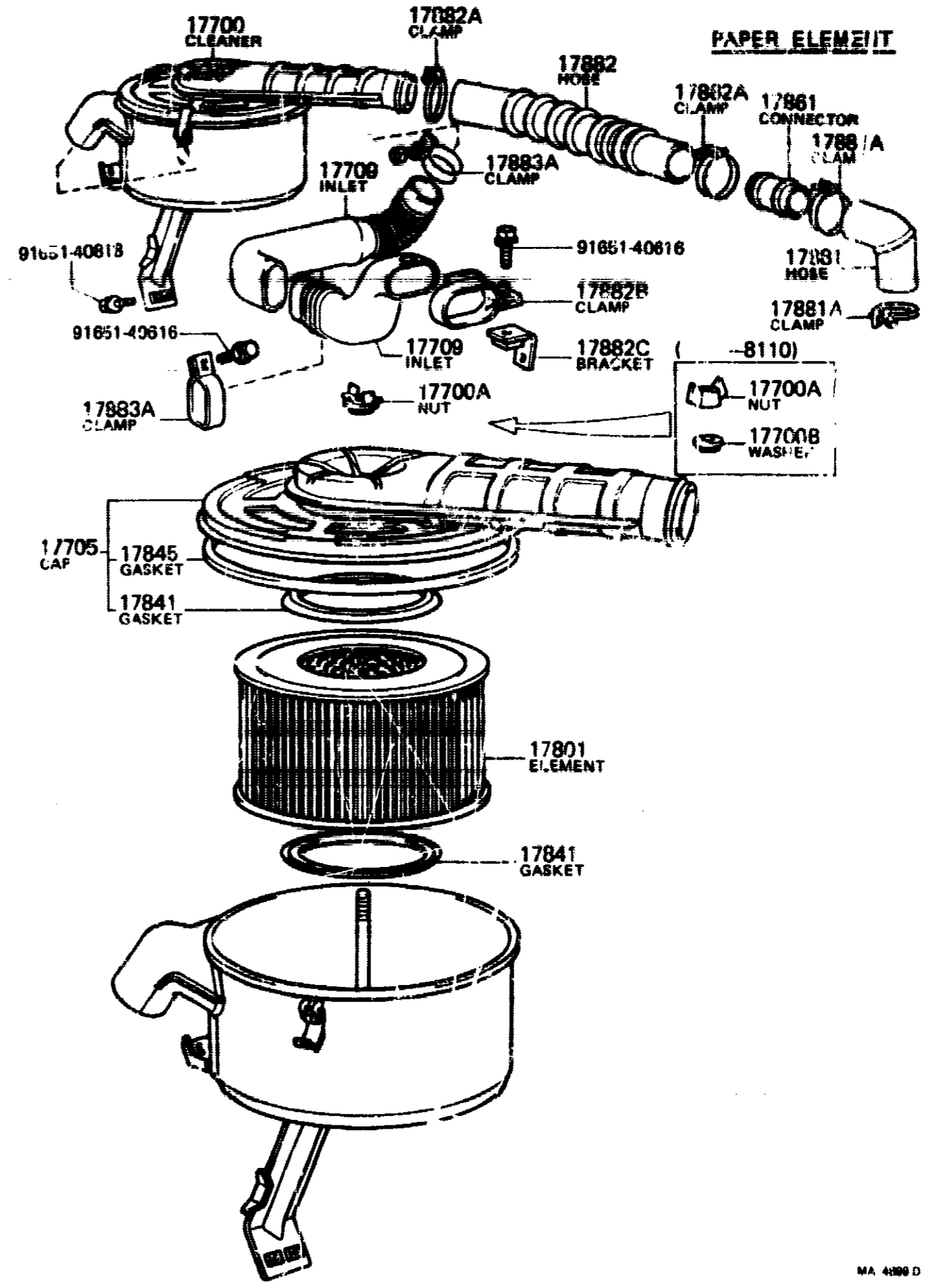
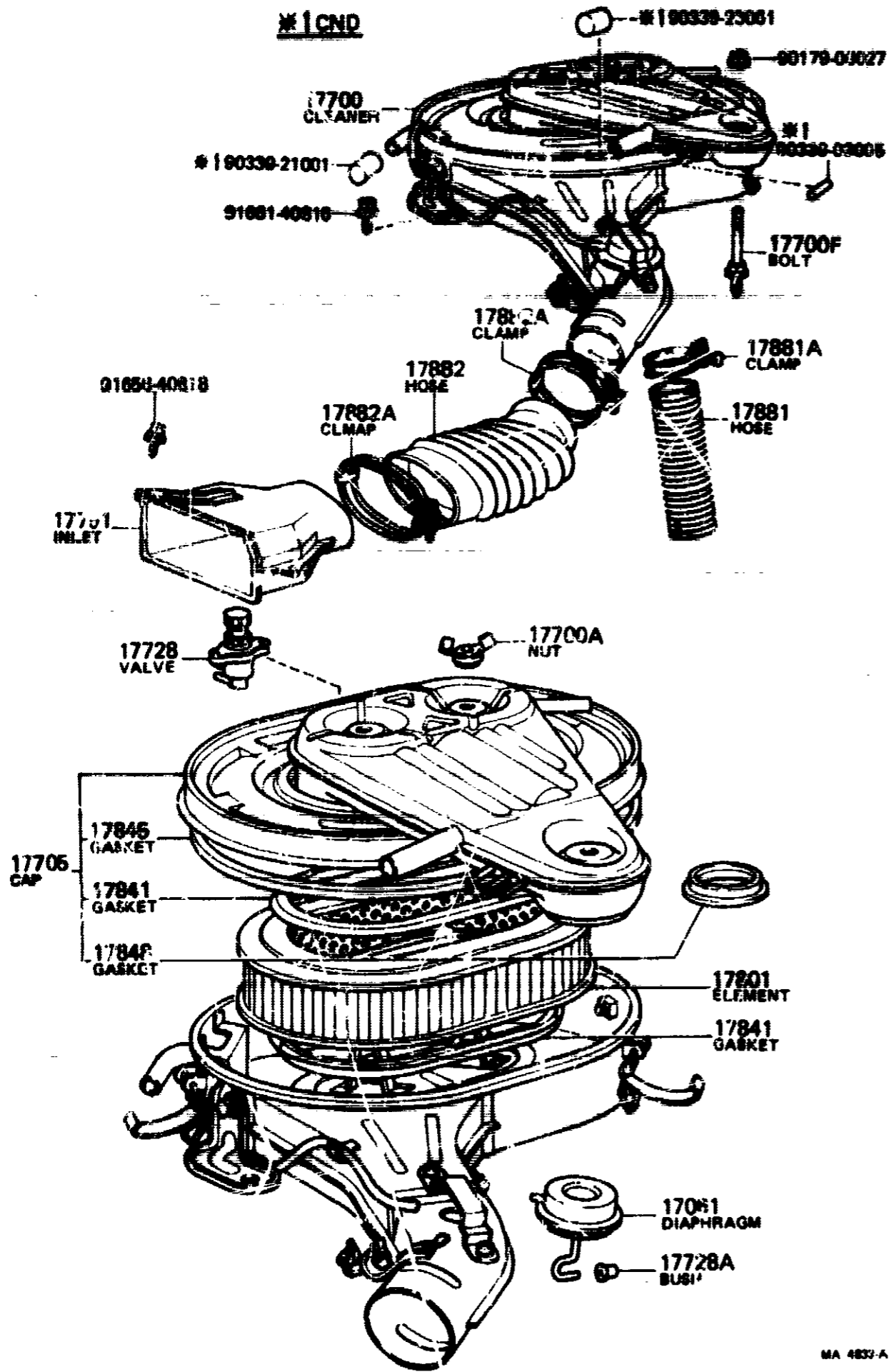
PROD. DATE	MODELS	DESCRIPTION	P /	PART NUMBER	QTY	REV. REF. CODE		PROD. DATE	MODELS	DESCRIPTION	P /	PART NUMBER	QTY	REV. REF. CODE	
						FROM	UP TO							FROM	UP TO
	16371	PULLEY, FAN													
8008-8110	CONTINUED 3B..BJ42			16371-56030-	1	1	6								
8110-8410	..BJ42			16371-56040-	1	7	80								

FIG. 17-03 AIR CLEANER

1-J4

(8008-8309)2F

(8008- 13B



MA 4832-A

MA 4199-D

PROD. DATE	MODELS	DESCRIPTION	PART NUMBER	REV. REF. CODE	
				FROM	UP TO
FIG.	19-01	IGNITION COIL & SPARK PLUG			
	19100P	PLUG, SPARK			
8008-8309	2F..FJ40	W14EXR-U	90919-01065-	6	1
	19500	COIL, IGNITION			
8008-8110	2F..FJ40..CND		90919-02083-	1	1 6
8008-8309	2F..FJ40..USA		90919-02113-	1	1
	19519	COVER, IGNITION COIL			
8008-8110	2F..FJ40..V	COLD SPEC OR CND	19519-38030-	1	1 6
8110-8309	2F..FJ40..V			1	7
	19850	PLUG ASSY, GLOW			
8008-8110	3B..BJ42	X24V-20.5V	19850-68040-	4	1 6
8110-8410	3B..BJ42	X24V-14V	19850-68060-	4	7 80
	19850B	GROMMET, SCREW (FOR GLOW PLUG)			
8008-8410	3B..BJ42		90189-04024-	4	1 30
	19871	CONNECTOR, GLOW PLUG NO.1			
8008-8410	3B..BJ42		19871-56020-	1	1 80
	19901	CORD SET, COIL AND SPARK, W/RESISTIVE			
8008-8309	2F..FJ40		90919-21326-	1	1
	19901A	CORD, COIL, RESISTIVE			
8008-8309	2F..FJ40		90919-13163-	1	1
	19901B	CORD, SPARK PLUG RESISTIVE, NO.1			
8008-8309	2F..FJ40		90919-12345-	1	1
	19901C	CORD, SPARK PLUG RESISTIVE, NO.2			
8008-8309	2F..FJ40		90919-12348-	1	1
	19901D	CORD, SPARK PLUG RESISTIVE, NO.3			
8008-8309	2F..FJ40		90919-12347-	1	1

PROD. DATE	MODELS	DESCRIPTION	PART NUMBER	REV. REF. CODE	
				FROM	UP TO
	19901E	CORD, SPARK PLUG RESISTIVE, NO.4			
8008-8309	2F..FJ40		90919-12372-	1	1
	19901F	CORD, SPARK PLUG RESISTIVE, NO.5			
8008-8309	2F..FJ40		90919-12345-	1	1
	19901G	CORD, SPARK PLUG RESISTIVE, NO.6			
8008-8309	2F..FJ40		90919-12346-	1	1
	19941	CLAMP, RESISTIVE CORD, NO.1			
8008-8309	2F..FJ40		90464-00253-	2	1
	19965	BAND, IGNITION COIL, NO.1			
8008-8309	2F..FJ40		90919-03059-	1	1

\*OOV.OOV = Battery Voltage-Glow Plug Rated Voltage

FIG. 19-05

GENUINE TOYOTA PARTS

1-J6

GENUINE TOYOTA PARTS

PROD. DATE	MODELS	DESCRIPTION	R/P	PART NUMBER	QTY	REV. REF. CODE		PROD. DATE	MODELS	DESCRIPTION	R/P	PART NUMBER	QTY	REV. REF. CODE		
						FROM	UP TO							FROM	UP TO	
FIG.	19-05	VACUUM PUMP														
		↑-----↑ 1 29300   PUMP ASSY, VACUUM														
8008-8204	3B..BJ42			29300-57011-	1	1										
8204-8410	3B..BJ42			29300-56070-	1	80										
		↑-----↑ 1 29300A   HOSE, VACUUM PUMP OIL INLET														
8008-8204	3B..BJ42			90923-02062-	1	1										
8204-8410	3B..BJ42			90923-02072-	1	80										
		↑-----↑ 1 29300B   HOSE, VACUUM PUMP OIL OUTLET														
8008-8204	3B..BJ42			90923-02065-	1	1										
8204-8410	3B..BJ42			90923-02073-	1	80										
		↑-----↑ 1 29311   PIN, VACUUM PUMP DOWEL, NO. 1														
8008-8204	3B..BJ42			90099-08082-	4	1										
8204-8410	3B..BJ42			29311-76010- (90099-08082- )	4	80										
		↑-----↑ 1 29322A   SEAL, VACUUM PUMP OIL														
8008-8204	3B..BJ42			90099-15017-	1	1										
		↑-----↑ 1 29331   BLADE, VACUUM PUMP, A														
8008-8204	3B..BJ42			29331-56010-	4	1										
8204-8410	3B..BJ42			29331-56070-	4	80										
		↑-----↑ 1 29342   PACKING, VACUUM PUMP														
8008-8204	3B..BJ42			96740-02063-	2	1										
8204-8410	3B..BJ42				1	80										
		↑-----↑ 1 29369   VALVE SUB-ASSY, CHECK														
8008-8204	3B..BJ42			29369-54010-	1	1										
8204-8410	3B..BJ42			29369-56070-	1	80										

FIG. 22-03

GENUINE TOYOTA PARTS

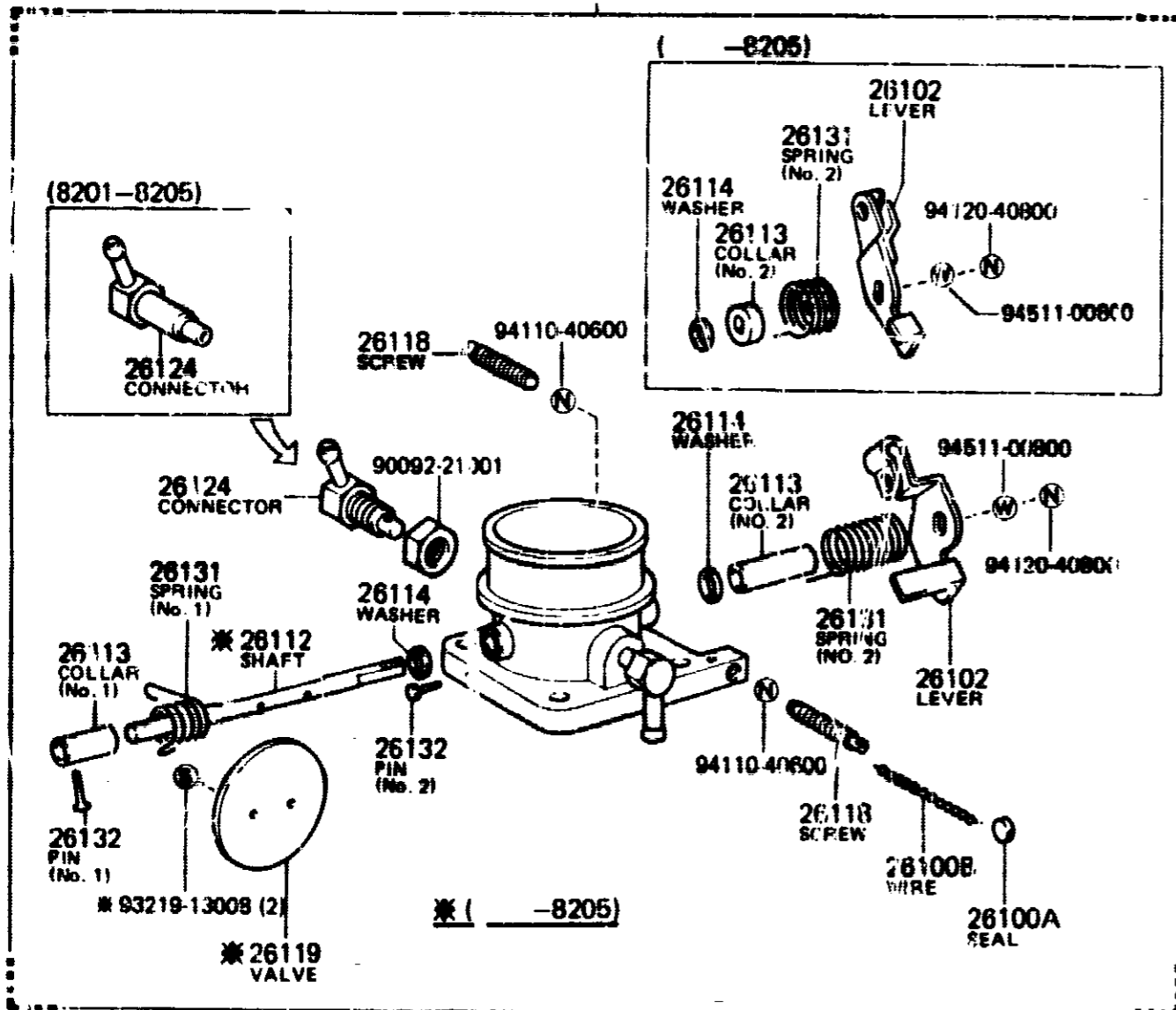
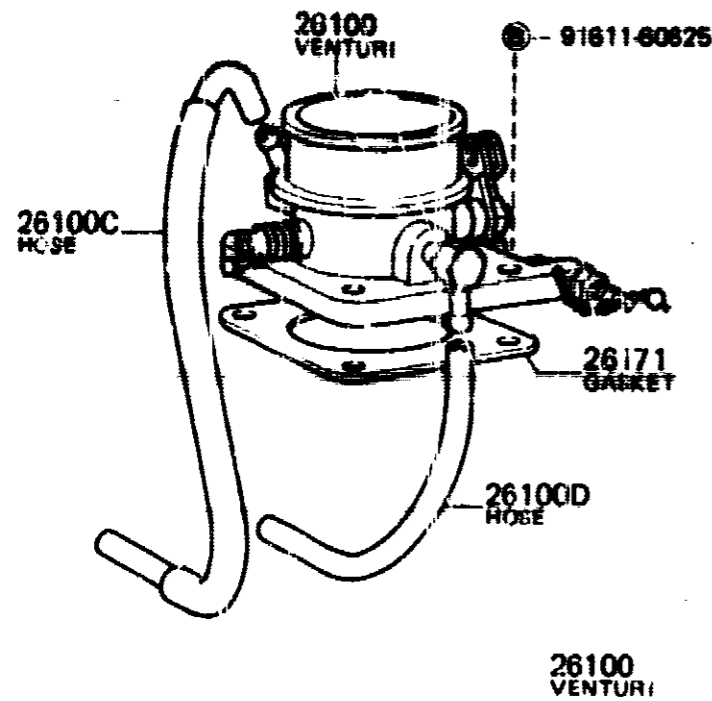
1-J7

GENUINE TOYOTA PARTS

PROD. DATE	MODELS	DESCRIPTION	R/P	PART NUMBER	QTY	REV. REF. CODE	
						FROM	UP TO
8008-8410	CONTINUED 3B..BJ42	PLATE, TAPPET ADJUSTING SHIM		22189-48036-	4	1	80
		T=1.4					
8008-8410	3B..BJ42	GASKET, BEARING COVER		22195-48030-	1	1	80
8008-8410	3B..BJ42	NUT, TIMER ROUND		22611-46010-	1	1	80

PROD. DATE	MODELS	DESCRIPTION	R/P	PART NUMBER	QTY	REV. REF. CODE	
						FROM	UP TO

(8008- 13B





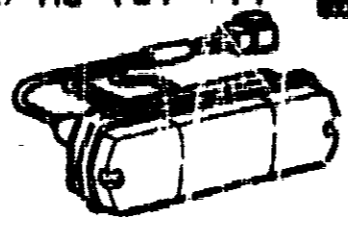
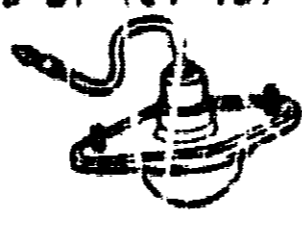
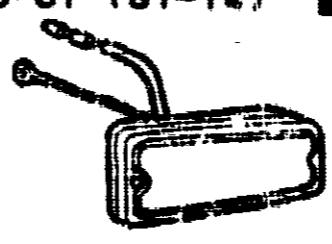

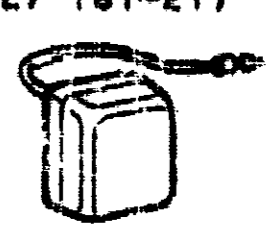
MF 2965-A

PROD. DATE	MODELS	DESCRIPTION	PART NUMBER	QTY	REV. REF. CODE	
					FROM	UP TO
FIG.	25-06 VENTURI					
	26100	VENTURI ASSY				
8008-8205	3B..BJ42		26100-58020-	1	1	
8205-8410	3B..BJ42		26100-58021-	1		80
	26100A	SEAL, LEAD				
8008-8410	3B..BJ42		22354-77050-	1	1	80
	26100B	WIRE, SEAL				
8008-8410	3B..BJ42		22355-3601-	1	1	80
	26100C	HOSE, VACCUUM NO.1 (VENTURI TO GOVERNOR)				
8008-8410	3B..BJ42		90447-12016-	1	1	80
	26100D	HOSE, VACCUUM NO.2 (VENTURI TO GOVERNOR)				
8008-8410	3B..BJ42		90447-12001-	1	1	80
	26102	LEVER SUB-ASSY, THROTTLE SHAFT ADJUSTING				
8008-8205	3B..BJ42		26102-58020-	1	1	
8205-8410	3B..BJ42		26102-58021-	1		80
	26112	SHAFT, VENTURI THROTTLE VALVE				
8008-8205	3B..BJ42		26112-56050-	1	1	
	26113	COLLAR, THROTTLE VALVE SHAFT				
8008-8205	3B..BJ42	NO.1	26113-56050-	1	1	
8008-8205	3B..BJ42	NO.2	26113-58020-	1	1	
8205-8410	3B..BJ42	NO.1	26113-58021-	1		80
8205-8410	3B..BJ42	NO.2	26113-68012-	1		80
	26114	WASHER, THROTTLE VALVE SHAFT ADJUSTING				
8008-8410	3B..BJ42	T=0.1	26114-76010-	2	1	80
8008-8410	3B..BJ42	T=0.2	26115-76010-	2	1	80
8008-8410	3B..BJ42	T=0.5	26116-76010-	2	1	80

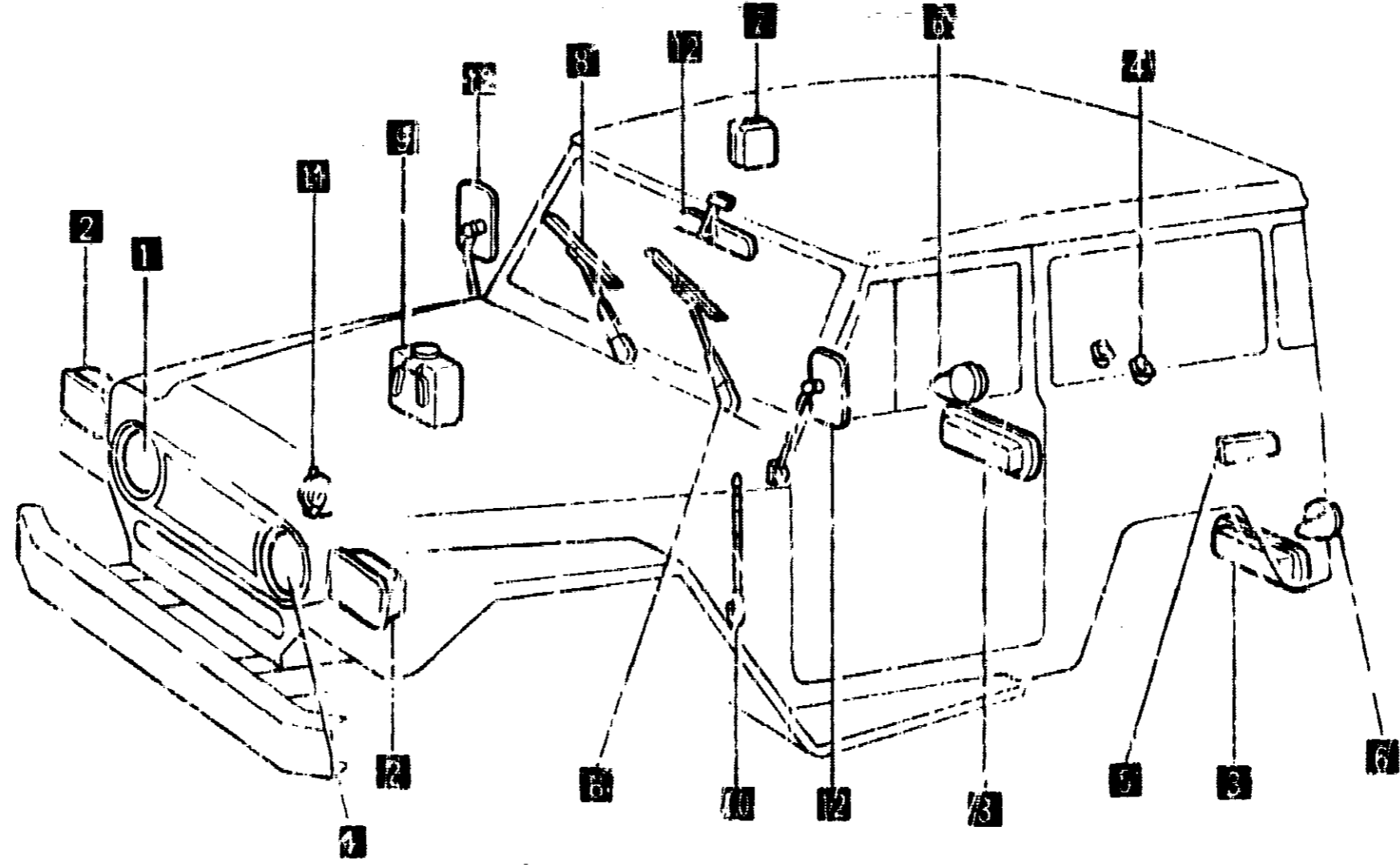
PART NUMBER	LOCATION	PART NUMBER	LOCATION	PART NUMBER	LOCATION	PART NUMBER	LOCATION	PART NUMBER	LOCATION	PART NUMBER	LOCATION
90301-51001-	2-15	90341-18057-	2-F4	90369-38001-	1-13	90430-18244-	1-K1	90480-24517-	2-D7	90520-30214-	2-C2
-59044-	2-K3		2-K1	90374-30003-	2-H5	-20006-	3-E4	90501-05014-	3-A4	-30214-	2-C2
-60122-	2-K5		2-K3	90384-27109-	2-A6	-24047-	3-E6	-05141-	1-A8	-31007-	2-D5
-63001-	2-15		2-M2		2-M5	-25013-	1-K1	-06445-	2-B6	-33107-	2-C3
-64002-	2-15	--18089-	1-K1	-22110-	2-M5	-37140-	1-M1	-08022-	1-F4	-33150-	2-G3
-65145-	2-H5	-20003-	3-E6	-26102-	2-H6	-43002-	1-A4	-10067-	2-H2	-56015-	2-B2
-69170-	2-M5	-24036-	3-E6	90385-12029-	2-J6	-98001-	1-K4	-10745-	2-J6	-56016-	2-B2
-77001-	1-07	-25054-	1-K1	-16007-	2-E8	90440-11045-	3-A2	-12447-	2-A6	-56250-	2-B2
90303-24033-	2-H6	90344-53002-	1-E4		2-H8	-17057-	3-E2	-13011-	2-H2	-56251-	2-B2
90310-09001-	2-L1	-53011-	1-E4	90386-03001-	1-L4	90445-04001-	3-H3	-14029-	2-D3	-56252-	2-B2
-21034-	2-M5	90345-52001-	1-K1	-10121-	2-M3	-07065-	3-A9	-14035-	2-G2	-56253-	2-B2
-24001-	2-H6	-53001-	1-K1	-13007-	2-D1	-09003-	3-A9	-14069-	2-02	-56254-	2-B2
-32024-	2-K5	-53020-	2-A8		2-L6	-11014-	1-18	-14078-	2-02	-56255-	2-B2
-35001-	2-14	-54004-	1-G1	-16004-	3-D1	-12023-	1-A4	-14772-	2-H2	90521-34002-	1-G2
90311-16002-	2-G2	-54005-	1-G1	-20602-	3-D1	-12063-	1-A4	-16163-	1-L2	-36003-	1-G2
-18001-	2-K5	90360-06004-	2-B3	90387-10004-	2-D1	-12905-	1-G3	-16750-	2-F2	-46125-	2-H5
-19002-	2-15	-06004-	2-C2	-10004-	2-L6	-17008-	2-D7	-20012-	2-G7	-52003-	2-J5
-22005-	2-E3		2-C2	-10028-	1-C2	-17038-	2-D7	-23018-	1-K2	-75023-	2-C3
-28100-	2-K1		2-L3	-10055-	1-E4	-17043-	1-E2	-29388-	2-J5	90522-32011-	2-H6
-33085-	2-A5	-06021-	2-15	90389-18002-	2-D8	-17044-	2-D7	-32259-	3-A4		2-16
-38134-	2-B5	-08009-	2-H2		2-08	-17507-	2-D7	-32791-	2-J2	-40043-	2-E7
	2-E4	-10003-	2-D3	90401-14060-	1-F8	-17855-	2-D7	-45114-	2-16	-48044-	2-E7
-45069-	1-M1		2-H2	-14093-	1-C3	-17908-	2-D7	-45123-	2-H6	90523-15025-	2-G2
-47001-	2-14	90361-05001-	2-H2	-18002-	1-B3	-17927-	2-D7	-45342-	1-K2	90524-15008-	1-L2
-48002-	2-L2	-06049-	2-B2	-18083-	1-G3	-18086-	2-E6	-47003-	1-K2	90540-09059-	3-16
	2-L2	-10037-	2-H2	-18084-	1-G3	-18104-	2-D6	90502-16004-	1-L2	-10022-	3-A2
-48003-	2-M2	90363-12062-	2-B1	90402-13041-	1-K6		2-E6	-29001-	2-J2	90541-03078-	3-F6
-48007-	2-L2	-15004-	2-B1	-16042-	1-B3	-18105-	2-D6	90506-12031-	2-G7	-06008-	2-D1
-50002-	1-M1	-18038-	2-J5	-26072-	1-H8	-22016-	3-E6	-12034-	3-16		2-L6
-62001-	2-D5	-20003-	2-J5	-26074-	1-H8	90446-06013-	3-A9	-12042-	3-E1		3-F2
	2-14	-35013-	2-B3	-33079-	1-H8	-08006-	3-A9	-12450-	2-D1		3-16
-95001-	1-A2		2-C3	90404-10013-	2-F4	90447-12001-	1-J8		2-L6	90560-06238-	3-16
-99065-	1-H2	-35017-	2-B2	-14327-	1-C5	-12016-	1-J8	-12480-	3-E1	-09025-	3-K3
90312-17001-	2-K1	-40018-	2-B2	-16008-	1-B3	-18012-	2-E6	-16297-	2-R1	-12009-	3-F1
-32001-	2-15	-45001-	2-B1	-16160-	1-G1	90460-01001-	2-D6	-16475-	2-B1		3-01
90313-13001-	2-D3	-45002-	2-B1	-51037-	2-D7		2-E6	-18031-	2-G7	-12017-	3-F1
-93001-	2-14	-52001-	2-B1	-51038-	2-D7	-01007-	1-L4	-20033-	2-H7	-12263-	1-A4
-93011-	2-B8	-52086-	2-B1		3-E10	-24039-	1-G3	-26011-	2-G7	-30184-	2-B5
90330-24013-	1-J1	90364-17010-	2-C3	-53035-	1-F4	-50016-	1-B4	-26014-	2-G7		2-E4
90331-12002-	2-F2	-32001-	2-H5	90405-09041-	2-D7	90461-10387-	2-G4	90508-16028-	3-F2	-30185-	2-B5
-16050-	2-F2	-32007-	2-D2	90407-10003-	2-M6	-10448-	1-18	-16029-	3-F2		2-E4
	2-K3	-34006-	2-B3	90410-06030-	2-B6	90464-00253-	1-J5	-26125-	3-16	-30186-	2-B5
	2-L2	-44065-	2-B2		2-H5	90467-04006-	3-L1	-26592-	3-16		2-E4
-18001-	2-F2		2-C2	-11005-	1-B3	-04100-	3-G3	90510-08001-	1-F4	-30187-	2-B5
-20001-	2-K3	90365-32002-	2-C2	-18002-	1-H8		3-L1	-08002-	1-F4		2-E4
-21001-	1-G1	-32010-	2-D2	-25041-	1-H8	-06004-	3-L1	90520-01002-	3-E4	-30188-	2-B5
-40024-	1-G1	-40001-	2-D2	90412-09006-	2-D7	-07003-	3-G2	-07001-	2-G2		2-E4
-48010-	1-K2	-40002-	2-D2	-10015-	2-L7	-09008-	3-L1	-08098-	2-F2	-30190-	2-B5
-51032-	1-J1	-47013-	2-14	-10089-	2-L7	-11085-	1-A4	-14002-	2-G2	-30190-	2-E4
	1-K2	90366-17001-	2-B8	90413-10031-	2-L7	-16001-	2-A7	-17042-	2-J5	-30191-	2-B5
-56001-	1-K2	-30011-	2-B5	-10042-	2-L7	-16141-	2-D7	-17269-	2-J5		2-E4
90334-07004-	1-G1		2-E4	-10086-	2-L7	-18028-	1-E2	-27091-	2-J5	-30192-	2-B5
90340-25001-	2-16	-35011-	2-C3	90414-10009-	2-L7	-24038-	1-E2	-28036-	2-C5		2-E4
90341-10004-	2-H2	-40004-	2-B5	90430-06104-	2-M6	-28001-	1-B5	-29002-	2-G3	-30199-	2-B5
-12000-	2-H2		2-D4	-09253-	2-M6		1-C5	-29024-	2-G3		2-E4
-15001-	2-D3	90368-45066-	2-A5	-10074-	2-D1	-28003-	1-B5	-29025-	2-G3	-34001-	2-C3
-18002-	2-K1	-45087-	2-D5	-15263-	1-A4	-31001-	1-B5	-29026-	2-J5	-35005-	2-B3
	2-K3		2-14	-18007-	2-K1	-42001-	1-B4	-29027-	2-J5	-35007-	2-B2
-18004-	2-K1	-49084-	2-D5		2-K3	90468-12003-	2-E7	-29051-	1-K2	-35008-	2-B3
	2-H2		2-14	-18008-	2-L2	90480-01167-	3-C10	-29099-	2-D2	-36001-	2-B2
-18049-	2-A5	90369-22001-	2-15		2-K4	-19227-	3-16	-29288-	2-G3	90562-30002-	2-H5
	2-F4	-30028-	1-13		2-L2	-16060-	3-M1	-29287-	2-G3	-31001-	2-H5
-18057-	2-A5	-35007-	1-13		2-L2	-17158-	2-J6	-29288-	2-G3	-32001-	2-H5
					1-G3	-18180-	1-E2	-30214-	2-C2	-47001-	2-H5

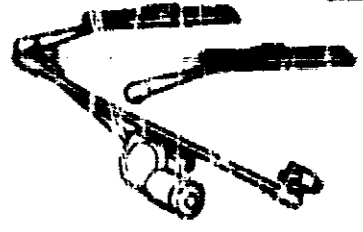

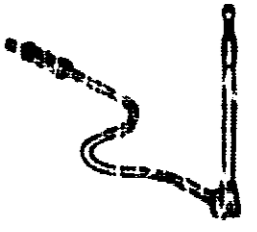
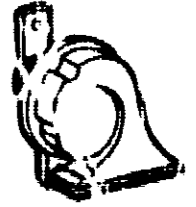
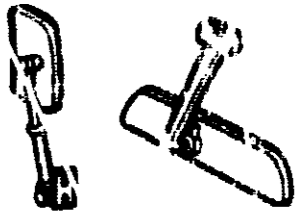
# ILLUSTRATED INDEX

J16

3-K5 (81-01) 	3-L5 (81-03) 	3-M6 (81-11) 	3-B7 (81-13) 	3-C7 (81-14) 	3-D7 (81-15) 	3-E7 (81-21) 
Headlamp	Front Turn Signal Lamp	Rear Combination Lamp	License Plate Lamp	Rear Side Marker Lamp	Reflex Reflector	Interior Lamp

## ELECTRICAL GROUP (1/2)



3-J8 (85-01) 
Windshield Wiper
3-L6 (85-03) 
Windshield Washer
3-E9 (86-04) 
Antenna
3-F9 (86-11) 
Horn
3-G9 (87-01) 
Mirror

MF 5557



PROD. DATE	MODELS	DESCRIPTION	PART NUMBER	QTY	REV. REF. CODE		PROD. DATE	MODELS	DESCRIPTION	PART NUMBER	QTY	REV. REF. CODE	
					FROM	UP TO						FROM	UP TO
8008-8410	11432B	PLUG, W/HEAD TAPER SCREW, NO.2	90345-53001-	1	1	80	3008-8205	12101	PAN SUB-ASSY, OIL	12101-61010-	1	1	20
	3B..BJ42												
8008-8410	11432C	PLUG, W/HEAD TAPER SCREW, NO.3	50345-52001-	1	1	80	8205-8309	2F..FJ40		12101-61011-	1	21	
	3B..BJ42												
8008-8410	11434A	PIN, STRAIGHT (FOR TIMING GEAR COVER SET)	90230-08120-	4	1	80	8408-8410	3B..BJ42		12101-56060-	1	80	
	3B..BJ42												
8008-8309	11434E	PIN, STRAIGHT (FOR CLUTCH HOUSING SET)	90250-10192-	2	1		8008-8205	2F..FJ40	OD=25	90341-25054-	1	1	20
	2F..FJ40												
8008-8309	11434B	PIN, STRAIGHT (FOR CYLINDER HEAD SET)	90253-17003-	2	1		8205-8410	3B,2F..BJ42,FJ40	OD=18		1	21	80
	2F..FJ40												
8008-8410	11434D	PIN, STRAIGHT (FOR ENGINE REAR OIL SEAL)	90253-15005-	2	1	80	8008-8205	2F..FJ40	ID=25	90430-25013-	1	1	20
	3B..BJ42												
8008-8410	11434D	PIN, STRAIGHT (FOR ENGINE REAR OIL SEAL)	90250-08120-	2	1	80	8205-8410	3B,2F..BJ42,FJ40	ID=18		1	21	80
	3B..BJ42												
8008-8309	11452	GUIDE, OIL LEVEL GAGE	11452-60013-	1	1		8008-8309	2F..FJ40		12151-60021-	1	1	
	2F..FJ40												
8008-8408	11452	GUIDE, OIL LEVEL GAGE	11452-55040-	1	1		8008-8408	3B..BJ42			1	1	
	3B..BJ42												
8408-8410	11452	GUIDE, OIL LEVEL GAGE	11452-56050-	1		80	3008-8410	3B..BJ42		90915-01015-	1	80	
	3B..BJ42												
8008-8410	11459	SUPPORT, OIL LEVEL GAGE GUIDE	11459-56040-	1	1	80	8008-8309	2F..FJ40		15301-61010-	1	1	
	3B..BJ42												
8008-8410	11462	LINER, CYLINDER	11461-58010-	4	1	80	8008-8408	3B..BJ42		15301-56040-	1	80	
	3B..BJ42												
8408-8410	11462	LINER, CYLINDER	11461-58020-	4		80	8408-8410	3B..BJ42			1	80	
	3B..BJ42												
8008-8410	11475	SHIM, CYLINDER LINER	11475-58010-	33	1	80	8008-8410	3B..BJ42		15605-58010-	1	1	80
	3B..BJ42												
3008-8410	11475	SHIM, CYLINDER LINER	11476-58010-	33	1	80	8008-8408	3B..BJ42		15708-58010-	4	1	
	3B..BJ42												
3008-8410	11476	SHIM, CYLINDER LINER	11476-58010-	33	1	80	8408-8410	3B..BJ42		15708-58020-	4	80	
	3B..BJ42												

PROD. DATE	MODELS	DESCRIPTION	PART NUMBER	REV. REF. CODE	
				FROM	UP TO
FIG.	13-02	CAMSHAFT & VALVE			
	11802	BEARING SET, CAMSHAFT			
8008-8309	2F..FJ40	STD	11802-60011-	1	1
8008-8309	2F..FJ40	U/S 0.25	11804-60021-	1	1
8008-8309	2F..FJ40	U/S 0.50	11805-60021-	1	1
8008-8408	3B..BJ42	STD	11802-56011-	1	1
8408-8410	3B..BJ42	STD	11802-56020-	1	80
	13511	CAMSHAFT			
8008-8309	2F..FJ40		13511-60060-	1	1
8008-8408	3B..BJ42		13511-56010-	1	1
8408-8410	3B..BJ42		13511-56030-	1	80
	13511B	PLUG, EXPANSION (FOR CAMSHAFT)			
8008-8309	2F..FJ40		90331-48010-	1	1
8008-8408	3B..BJ42	OD=51	90331-51032-	1	1
8408-8410	3B..BJ42	OD=56	90331-56001-	1	80
	13523	GEAR OR SPROCKET, CAMSHAFT TIMING			
8008-8309	2F..FJ40		13523-60030-	1	1
8008-8408	3B..BJ42	N=44	13523-56030-	1	1
8408-8410	3B..BJ42		13523-56040-	1	80
	13523A	KEY, WOODRUFF (FOR TIMING GEAR)			
8008-8309	2F..FJ40		90260-05010-	1	1
8008-8410	3B..BJ42		95101-10519-	1	80
	13523B	WASHER, PLATE (FOR TIMING GEAR)			
8008-8410	3B..BJ42		90201-10227-	1	80
	13523C	RING, SNAP CAMSHAFT (FOR TIMING GEAR)			
8008-8309	2F..FJ40		90520-29051-	1	1
	13571	PLATE, CAMSHAFT THRUST			
8008-8010	2F..FJ40		13571-60010- 13571-61010-	1	1

PROD. DATE	MODELS	DESCRIPTION	PART NUMBER	REV. REF. CODE	
				FROM	UP TO
	13571	PLATE, CAMSHAFT THRUST			
8010-8309	2F..FJ40	CONTINUED	13571-61010-	1	
8008-8309	2F..FJ40		13571-56010-	1	1
8008-8410	3B..BJ42		13571-56020-	1	80
	13711	VALVE, INTAKE			
8008-8309	2F..FJ40		13711-60021-	6	1
8008-8410	3B..BJ42		13711-58010-	4	1 80
	13711A	SEAL OR RING, O (FOR VALVE STEM OIL)			
8008-8309	2F..FJ40		90913-02048-	12	1
8008-8410	3B..BJ42		90913-02051-	8	1 80
	13711B	SPRING, COMPRESSION (FOR INNER)			
8008-8309	2F..FJ40		90501-45342-	12	1
8008-8410	3B..BJ42		90501-23016-	8	1 80
	13711C	SPRING, COMPRESSION (FOR OUTER)			
8008-8410	3B..BJ42		90501-47003-	8	1 80
	13715	VALVE, EXHAUST			
8008-8110	2F..FJ40..CND		13715-61010-	4	1 6
8008-8309	2F..FJ40..USA		13715-60032- 13715-61030-	6	1
8008-8410	3B..BJ42		13715-58010- 13715-58011-	4	1 80
	13734	SEAT, VALVE SPRING			
8008-8309	2F..FJ40		13734-60030-	12	1
	13741	RETAINER, VALVE SPRING			
8008-8309	2F..FJ40		13741-60030-	12	1
8008-8408	3B..BJ42		13741-56020-	8	1
8408-8410	3B..BJ42		13741-56021-	5	80
	13741A	LOCK, VALVE SPRING RETAINER			
8008-8309	2F..FJ40		90913-03012-	24	1

(8008-8309)2F

ILLUST. NO. 10F2

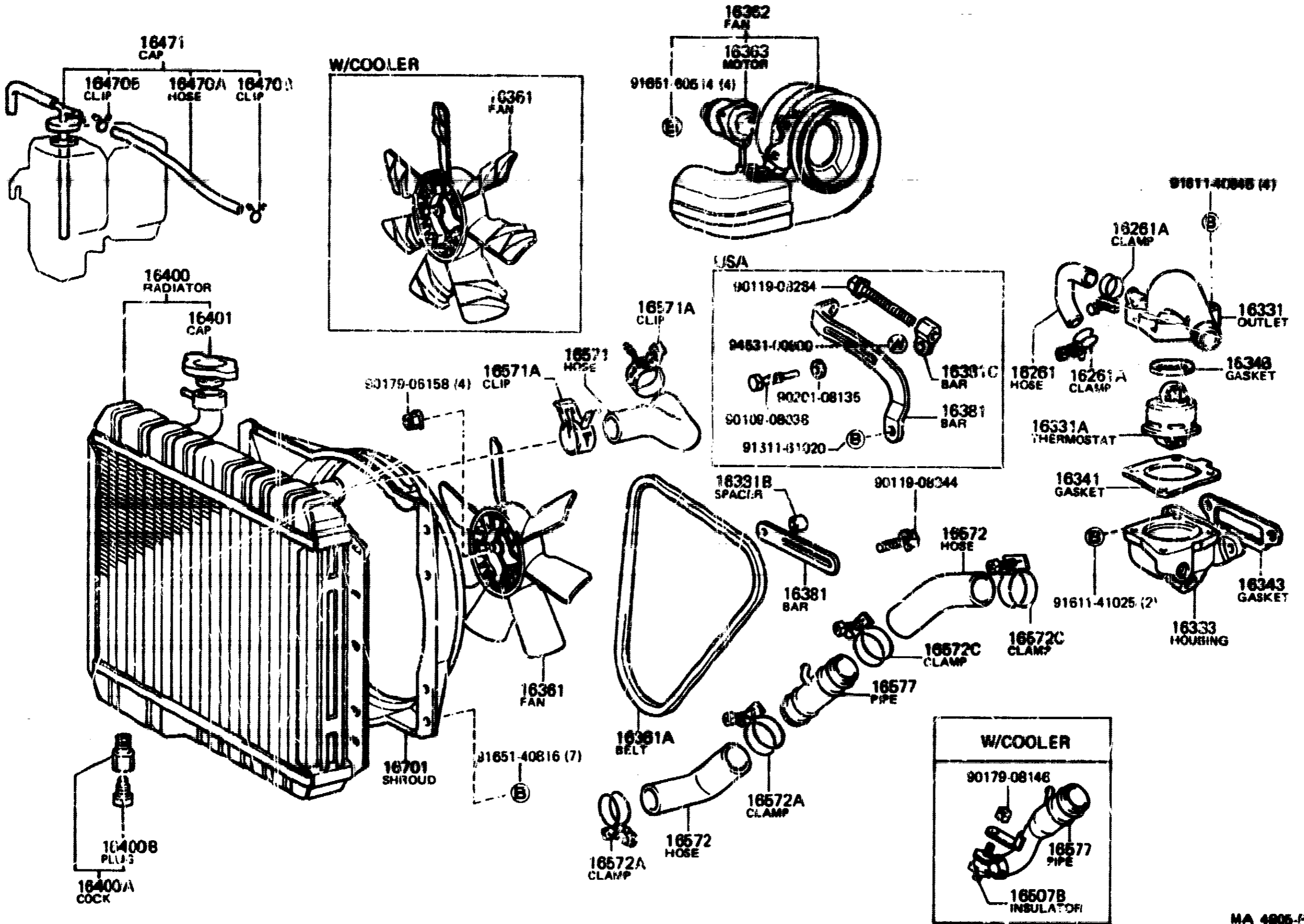
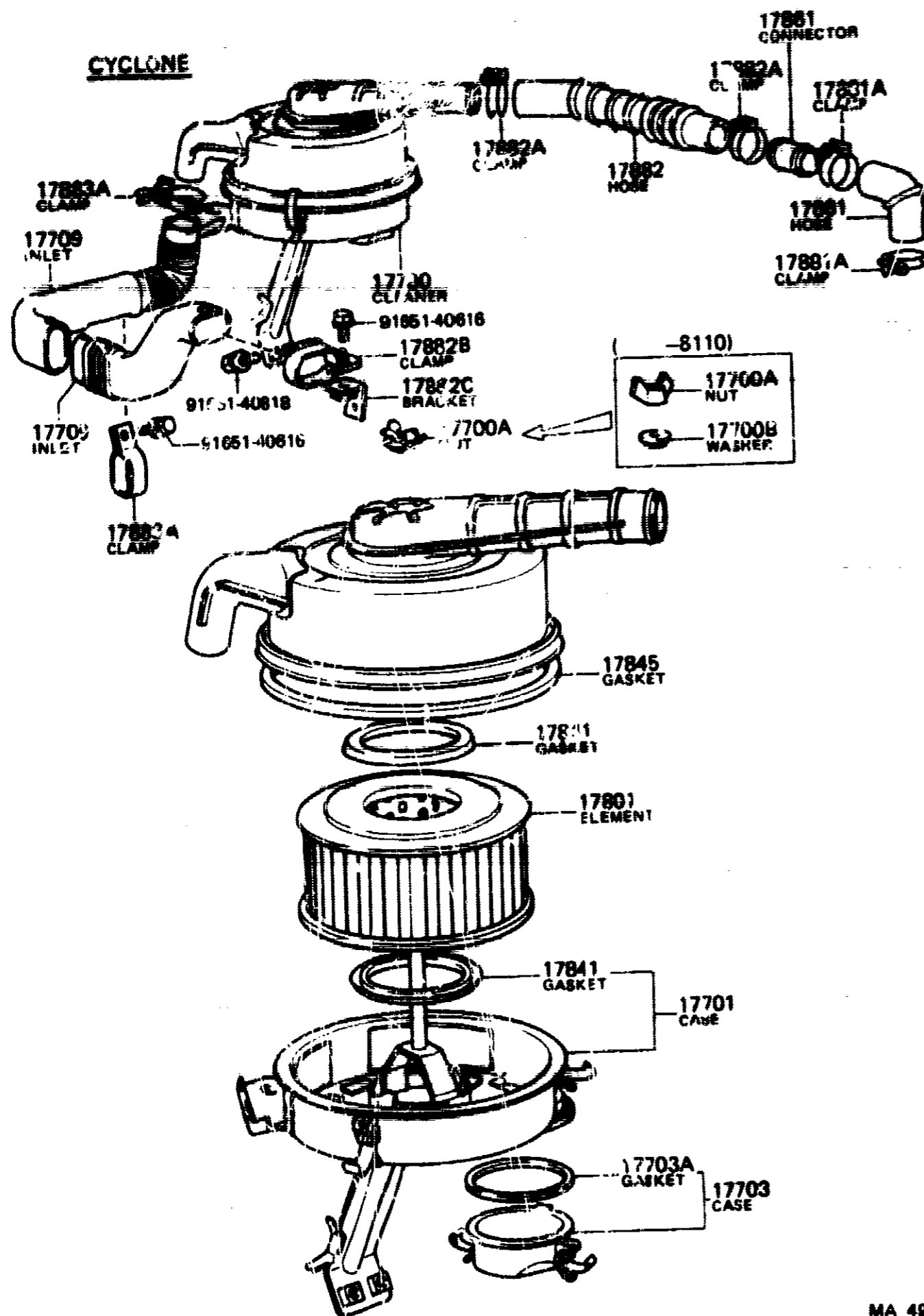


FIG. 17-03 AIR CLEANER

1-K4

GENUINE TOYOTA PARTS

(8008- ) 3B



PROD. DATE	MODELS	DESCRIPTION	PART NUMBER	QTY	REV. REF. CODE	
					FROM	UP TO
FIG.	17-03 AIR CLEANER					
	17051	DIAPHRAGM SUB-ASSY				
8038-8309	2F..FJ40		17061-61020-	1	1	
	17700	CLEANER ASSY, AIR				
8008-8309	2F..FJ40		17700-61023-	1	1	
8008-8110	3B..BJ42	PAPER ELEMENT	17700-58010-	1	1	6
8008-8110	3B..BJ42	CYCLONE	17700-58030-	1	1	6
8110-8210	3B..BJ42	PAPER ELEMENT	17700-58011- (17700-58012-)	1	7	18
8110-8210	3B..BJ42	CYCLONE	17700-58031- (17700-58032-)	1	7	18
8210-8410	3E..BJ42	PAPER ELEMENT	17700-58012-	1	19	80
8210-8410	3B..BJ42	CYCLONE	17700-58032-	1	19	80
	17700A	NUT, WING (FOR AIR CLEANER)				
8008-8309	2F..FJ40		90175-06003-	2	1	
8008-8110	3B..BJ42		94271-00800-	1	1	6
8110-8410	3B..BJ42		90175-08008-	1	7	80
	17700B	WASHER, SEAL (FOR AIR CLEANER)				
8008-8110	3B..BJ42		90210-08003-	1	1	6
	17700F	BOLT, STUD (FOR AIR CLEANER SETTING)				
8008-8309	2F..FJ40		90116-06018-	1	1	
	17701	CASE SUB-ASSY, AIR CLEANER				
8008-8110	3B..BJ42	CYCLONE	17701-56111-	1	1	6
8110-8410	3B..BJ42	CYCLONE	17701-56112-	1	7	80
	17703	CASE SUB-ASSY, BOTTOM, AIR CLEANER FILTER				
8008-8410	3B..BJ42	CYCLONE	17703-77020-	1	1	80
	17703A	GASKET (FOR BOTTOM AIR CLEANER FILTER CASE)				
8008-8410	3B..BJ42	CYCLONE	90430-98001-	1	1	80

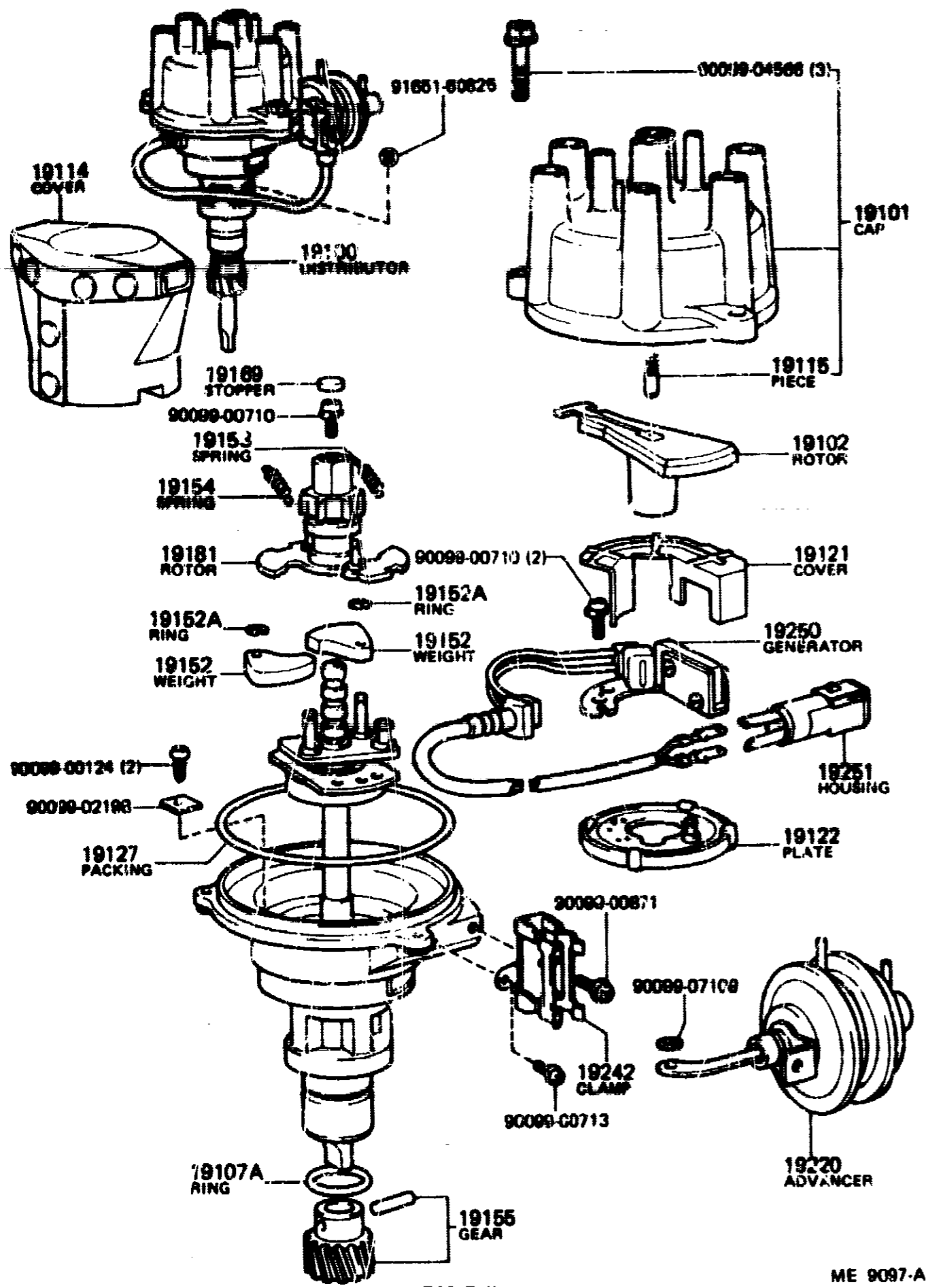
MA 4901-F

FIG. 19-02 DISTRIBUTOR

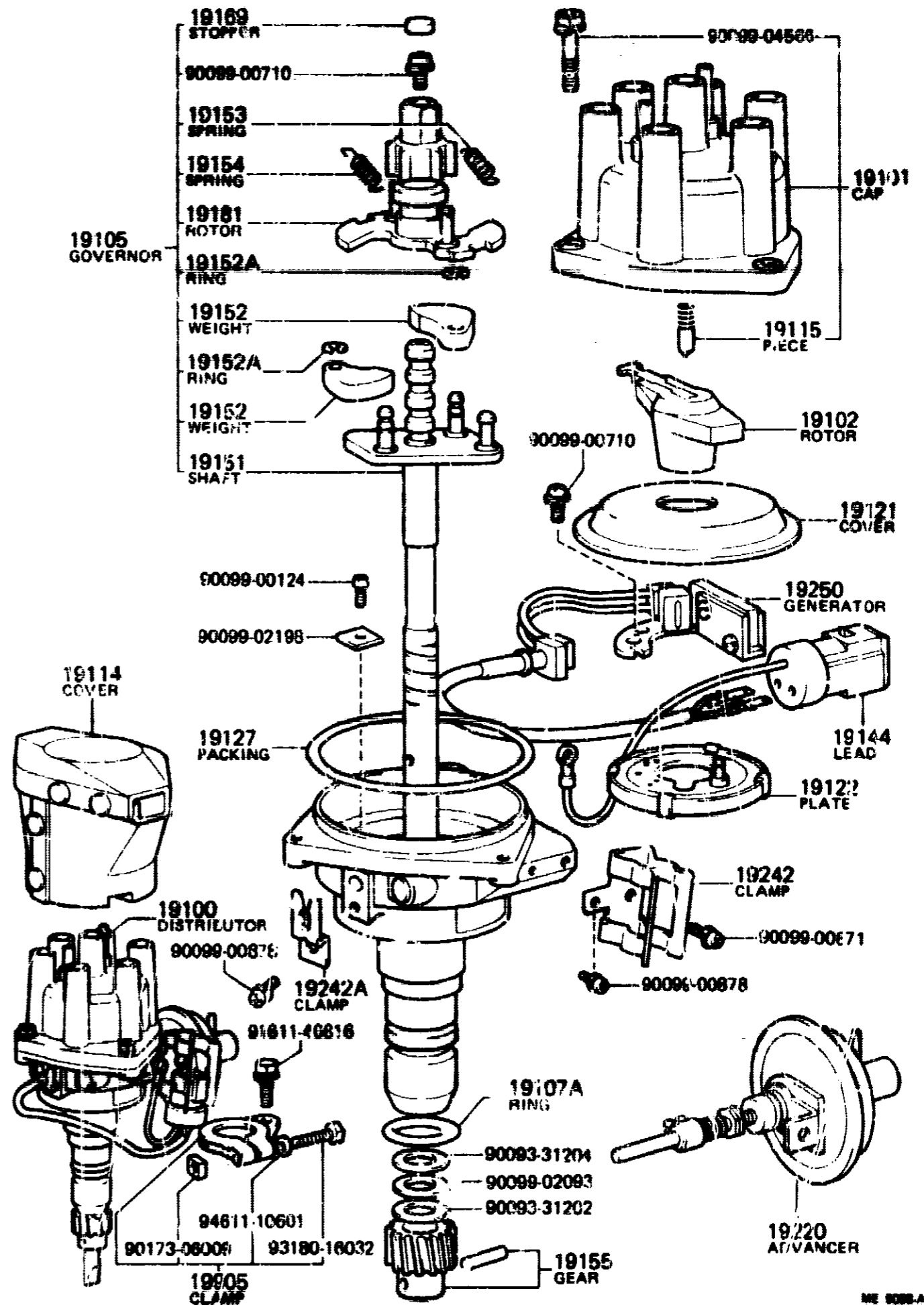
1-K5

(8008-8309)2F..USA

(8008-8110)2F..CND



ME 9097-A



ME 9098-A

ME9097A

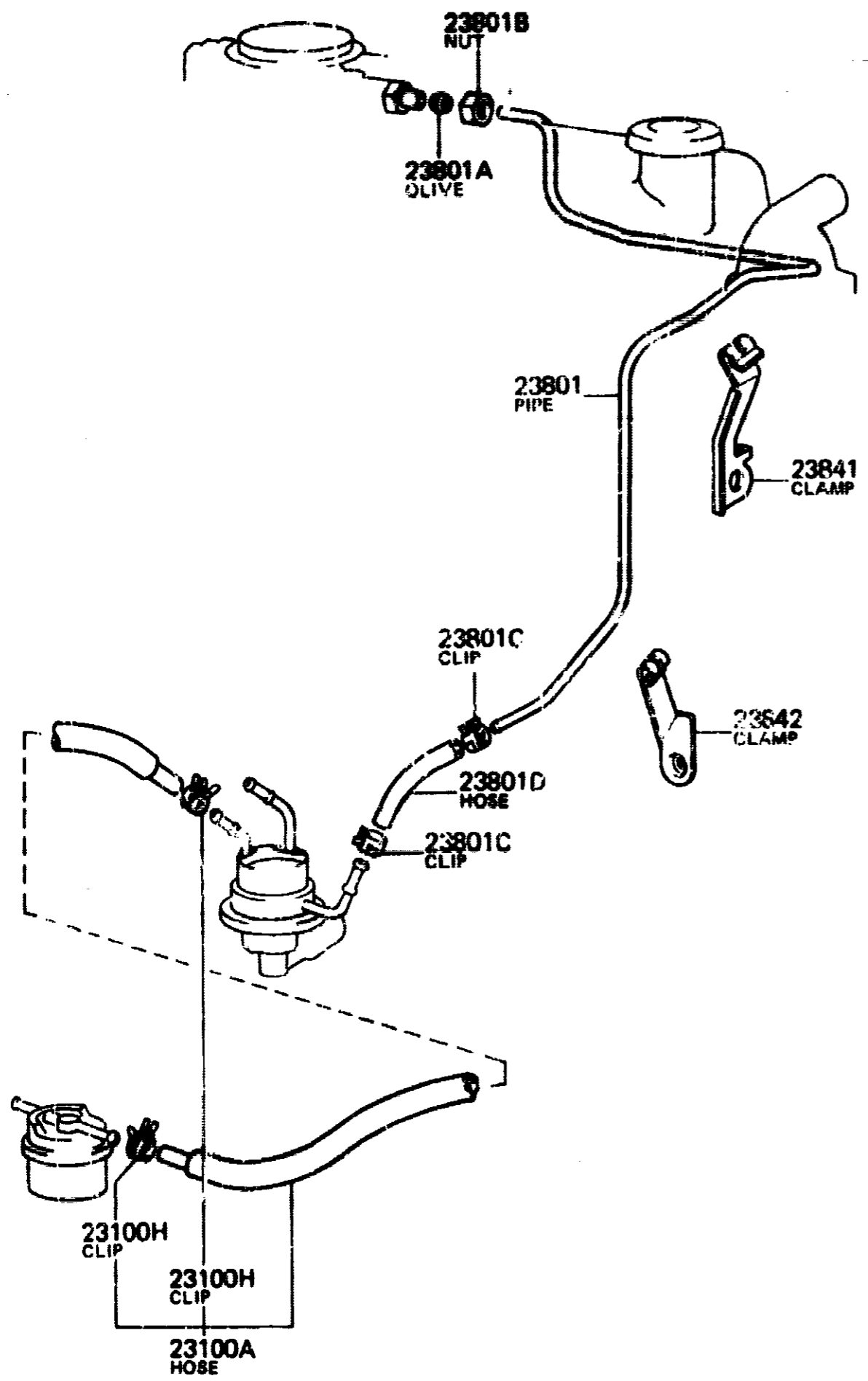
ME9098A 174-11-0084

FIG.21-01 FUEL PIPE & CLAMP

i-K6

GENUINE TOYOTA PARTS

(8008-8309)2F



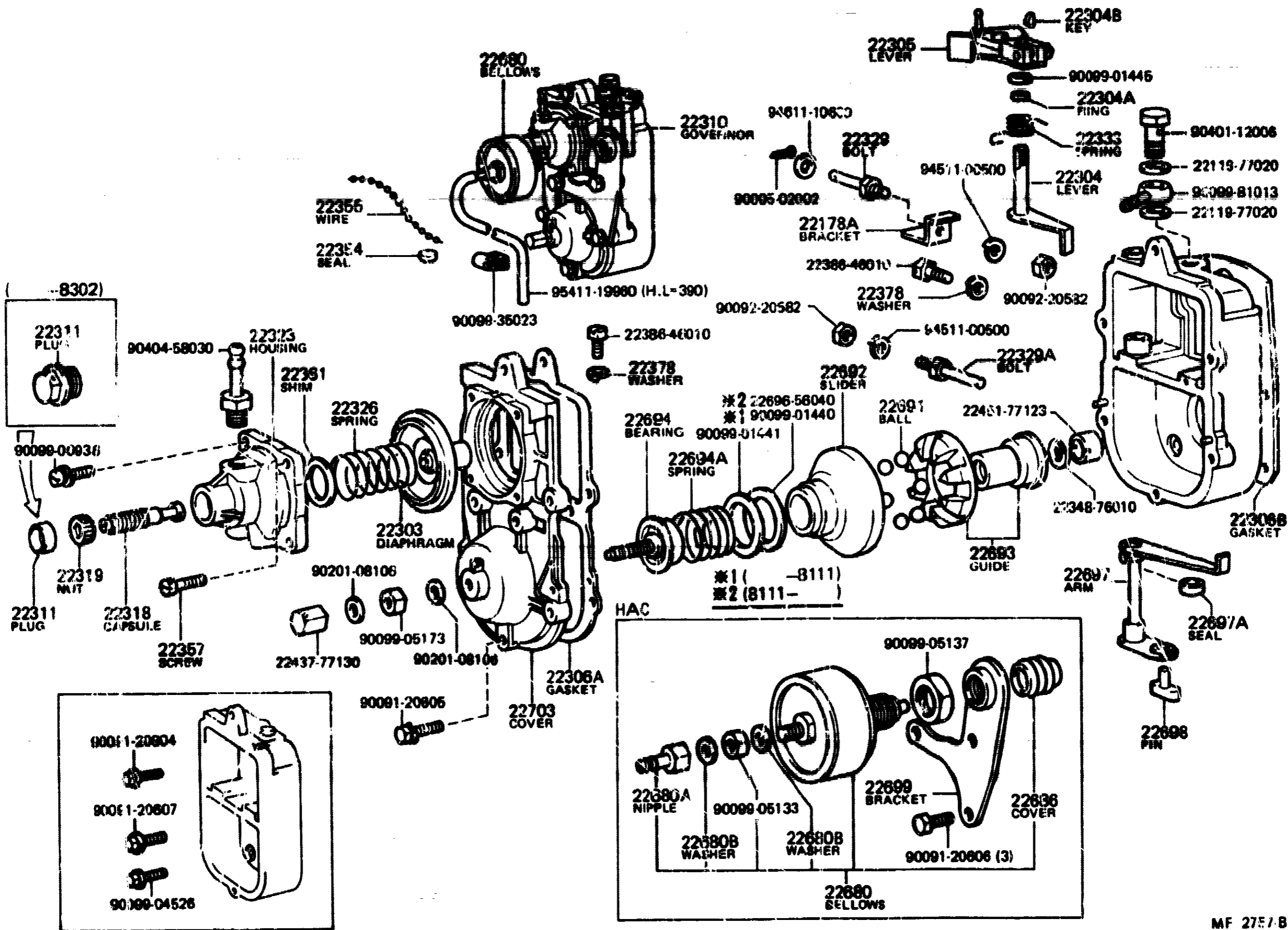
PROD. DATE	MODELS	DESCRIPTION	R/P	PART NUMBER	QTY	REV. REF. CODE	
						FROM	UP TO
FIG.	21-01 FUEL PIPE & CLAMP						
		23100A HOSE, FUEL					
8008-8309	2F..FJ40			23820-61070-	1		1
		23100H CLIP (FOR FUEL HOSE)					
8008-8309	2F..FJ40			96132-30800-	2		1
		23801 PIPE OR HOSE SUB-ASSY, CARBURETOR FUEL, NO.1					
8008-8309	2F..FJ40			23811-61032-	1		1
		23801A OLIVE (FOR FUEL PIPE)					
8008-8309	2F..FJ40			96395-71400-	1		1
		23801B NUT, UNION (FOR FUEL PIPE)					
8008-8309	2F..FJ40			90402-13041-	1		1
		23801C CLIP (FOR CARBURETOR FUEL HOSE)					
8008-8309	2F..FJ40			96132-30800-	2		1
		23801D HOSE, FUEL PIPE, NO.1					
8008-8309	2F..FJ40	XH,L=130		95332-08020-	1		1
		23841 CLAMP, FUEL PIPE (HOSE), NO.1					
8008-8309	2F..FJ40			23841-61021-	1		1
		23842 CLAMP, FUEL PIPE (HOSE), NO.2					
8008-8309	2F..FJ40			23842-61031-	1		1

MF 2517

\*H,L=Cut hose to length as specified in remarks

1-K7

(8008- 138



MF 275/B

MF 275/B

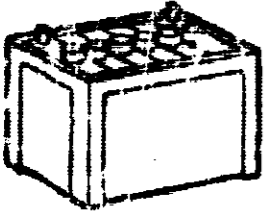




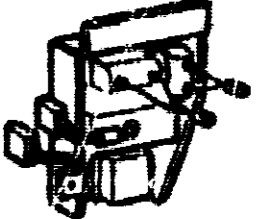
N74-11-98 B

PROD. DATE	MODELS	DESCRIPTION	R/P	PART NUMBER	QTY	REV. REF. CODE		PROD. DATE	MODELS	DESCRIPTION	R/P	PART NUMBER	QTY	REV. REF. CODE	
						FROM	UP TO							FROM	UP TO
		26118   SCREW, STOP PLATE ADJUSTING													
8008-8410	3B..BJ42			26118-48014- (26325-77020- )	2	1	80								
		26119   VALVE, VENTURI THROTTLE													
8008-8205	3B..BJ42			26119-56030-	1	1									
		26124   CONNECTOR, VENTURI PIPE													
8008-8201	3B..BJ42			26124-58020-	1	1	30								
8201-8205	3B..BJ42			26124-58021-	1	31									
8205-8410	3B..BJ42			26124-56030-	1		80								
		26131   SPRING, RETURN													
8008-8205	3B..BJ42	NO.2		26131-58020-	1	1									
8008-8205	3B..BJ42	NO.1		26131-58022-	1	1									
8205-8410	3B..BJ42	NO.1		26131-58023-	1		80								
8205-8410	3B..BJ42	NO.2		26131-58024-	1		80								
		26132   PIN													
8008-8410	3B..BJ42	NO.1		26132-56010-	1	1	80								
8008-8410	3B..BJ42	NO.2		26132-56011-	1	1	80								
		26171   GASKET, VENTURI													
8008-8410	3B..BJ42			26171-56020-	1	1	80								

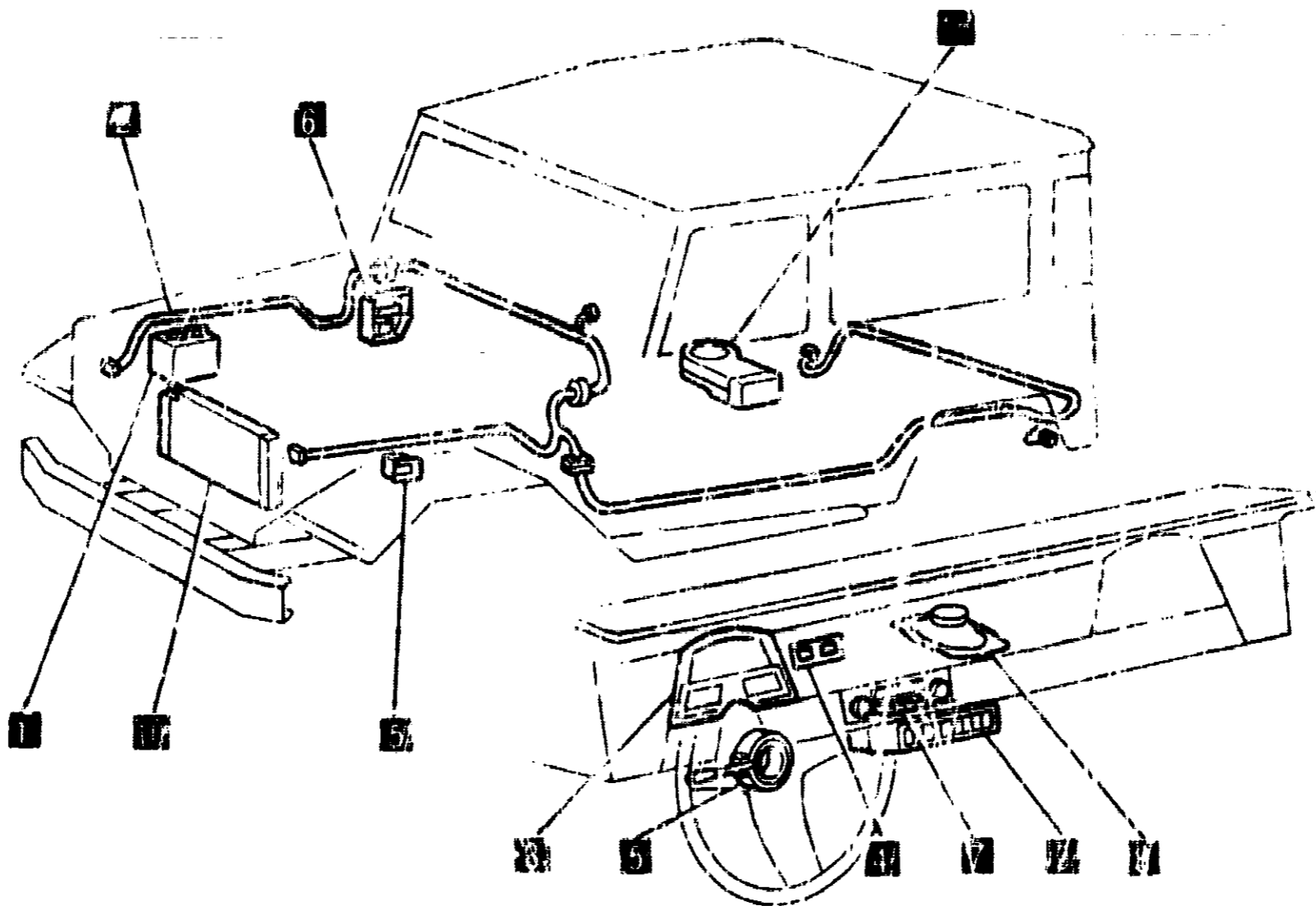



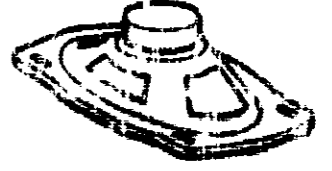
PART NUMBER	LOCATION	PART NUMBER	LOCATION	PART NUMBER	LOCATION	PART NUMBER	LOCATION	PART NUMBER	LOCATION	PART NUMBER	LOCATION
90562-47002-	2-H5	90919-02083-	1-J5	90742-03082-	2-K4	90999-00006-01	3-M4	96132-30600-	2-F4	99134-12030-	3-A8
-47001-	2-B5	-02113-	1-J5	-03083-	2-K4	-00006-02	3-M4	-30800-	1-K6	-12034-	3-B8
90564-30035-	2-B5	-03059-	1-J5	-03084-	2-K4	-00006-03	3-M4	96151-01700-	2-A6	-12034-	3-B8
	2-E4	-12345-	1-J5	-03085-	2-K4	-00006-04	3-M4	-02000-	2-M6	99142-87175-	3-B7
-68001-	2-B5	-12346-	1-J5	-03086-	2-K4	-00006-05	3-M4	96160-00500-	2-M7	99332-11250-	3-I10
	2-E4	-12347-	1-J5	-03107-	2-K4	-00006-06	3-M4	-01200-	2-L3	99343-01195-	1-A4
-68002-	2-B5	-12348-	1-J5	-05009-	2-L1	-00066-	3-M4	-01500-	2-L3	-11070-	1-A4
	2-E4	-12349-	1-J5	90945-02048-	2-F6	-41138-	1-B7	96395-71400-	1-K6	-11120-	1-A5
-68003-	2-B5	-12372-	1-J5	90947-02230-	2-D1	-41147-	1-B7	96411-11200-	1-B1	-11265-	1-A4
	2-E4	-13163-	1-J5	-02358-	2-D1	-42200-	1-B7	-11400-	1-J1	-11510-	2-D6
-68004-	2-B5	-21324-	1-J5	90948-03003-	2-EA	-45080-	1-B7	-12000-	1-E4	-11570-	2-D6
	2-E4	90923-02062-	1-J6		2-H8	-70067-	2-A8	-12500-	1-B1	99552-20100-	3-D10
-68305-	2-B5	-02065-	1-J6	-03004-	2-H8	-73061-	2-K5	-12800-	1-G1	-30100-	3-C10
	2-E4	-02072-	1-J6		2-H8	-73088-	1-Q2		1-J1		3-K9
-70001-	2-B3	-02073-	1-J6	90950-01155-	3-D2	-73089-	2-B3	-13000-	1-J1		3-K9
-70002-	2-B3	-05005-	1-D8	-01156-	3-D2	91121-51070-	2-D1	-13500-	1-J1	-30300-	3-C10
-70003-	2-B3	-05014-	1-G3	-01200-	1-A2	-51070-		-42500-	1-G1	-30500-	3-C10
-70004-	2-B3	-06001-	1-D8	-01225-	3-D2	-40000-	2-G1			-30700-	3-C10
-70005-	2-G3	90925-01021-	1-F5	-01329-	3-D2	-41055-	2-G1	-45000-	1-G1	99553-30210-	1-G3
-70006-	2-C3	-01029-	1-F5	-01330-	3-D2	-60855-	1-L2		1-J1	-30280-	1-G3
-70007-	2-C3	-03058-	1-F5	-04010-	3-E2	-60865-	1-L2	96431-03833-	1-J1	99555-30210-	1-G3
-70008-	2-C3	-05035-	1-F5	90980-04011-	3-C9	92122-31023-	1-E4	-03873-	1-A4	-30280-	1-G3
-70009-	2-C3	-05046-	1-F5	-04021-	3-C9	96132-60220-	1-E4	-23814-	1-A4	99556-20060-	3-D10
-70010-	2-C3	90930-03031-	2-A5	-07003-	3-J7	94110-41000-	2-D6		1-J1		3-K9
-70011-	2-C3	-03053-	2-L5	-07056-	3-J7	-51000-	2-H6	96700-01007-	2-A6	-30050-	3-C10
-70012-	2-G3	-03075-	2-M2	-07175-	3-J7	94113-71200-	2-B7	-01008-	1-L7	-30075-	3-K9
-70013-	2-C3	90937-01117-	2-I4	90981-01016-	3-K6	94871-00800-	1-K4	-01010-	2-H5	-30210-	3-C10
90910-01006-	1-L2	-01118-	2-I4	-01046-	3-K6	94512-01000-	2-H6	-01013-	2-B6	-30310-	3-C10
-01046-	1-G1	-01119-	2-I4	-11004-	3-E7	94621-11000-	2-H6	-01014-	2-B6	-30320-	3-C10
-02050-	1-G1	-01120-	2-I4	-11006-	3-L8	95161-10322-	2-D2		2-M5	-30520-	3-C10
-02054-	1-J1	-01121-	2-I4	-11009-	3-F8	-10416-	1-H2	-02014-	2-K3	99911-10250-	1-B1
-02057-	1-J1	-01122-	2-I4		3-J6	-10519-	1-I2	96711-15007-	2-A6	99913-12000-	1-A1
-05152-	1-E2	-01132-	2-F3	-11010-	3-C8	-10519-	1-K2	-19010-	2-F2	99914-11012-	1-B1
-05153-	1-G3	-01136-	2-F3	-11018-	3-B8	95331-10014-	3-G6		2-H5	-11417-	1-B1
-06036-	1-E2	-01140-	2-F3	-11022-	3-B8	95332-04020-	1-F7	-19013-	2-B6	99915-10700-	1-A1
-09066-	1-A4	-01147-	2-F3	-11024-	2-B4	-06010-	3-E6	-19014-	2-B6		
-09070-	1-J1	-01148-	2-F3	-16014-	3-L6	-06020-	3-E6		2-H5		
-09072-	1-J1	-01149-	2-F3		3-M6		3-F6	96740-02063-	1-J6		
90913-01003-	1-H2	-01150-	2-F3	-16015-	3-M6		3-G6	96910-32305-	2-L7		
-02048-	1-K2	-01151-	2-F3	-16015-	3-C7	-06040-	3-E6	96940-32605-	2-L7		
-02051-	1-K2	-01152-	2-F3		3-L6	-06060-	3-E6	-33405-	2-L7		
-03012-	1-K2	-01153-	2-F3	-16017-	3-B7	-08020-	1-K6	-34305-	2-L7		
-03019-	1-L2	-01154-	2-F3	-16019-	3-E7		3-F6	97153-06332-	2-C2		
-05007-	1-L2	-01155-	2-F3	-16022-	2-B4	-08030-	3-E6	97154-06308-	2-B2		
-05021-	1-L2	-01156-	2-F3	90982-01370-	3-G7	-08040-	3-E6	97600-30307-	2-C3		
90915-01014-	1-J1	-01157-	2-F3	-01378-	3-G7		3-F6	97610-30303-	2-B8		
-01015-	1-X1	-01158-	2-F3	-01393-	3-G7	-08060-	3-F6	97619-30306-	2-B5		
90916-01056-	1-B4	-01184-	2-F3	-01415-	3-G7	95411-10095-	3-E10		2-E4		
-01163-	1-B4	-01191-	2-F3	-01422-	3-G7	-19960-	3-E10	-30306-	2-B5		
-02080-	2-D6	-01192-	2-F3	-02065-	3-G7	91441-09500-	2-D7		2-D4		
-03045-	1-M3	-01193-	2-F3	-02103-	3-G7	-111-10270-	1-G3	99118-62905-	3-F8		
-03052-	1-M3	-01194-	2-F3	-03012-	3-G7		1-B5	-62910-	3-F8		
-03059-	1-M3	-01198-	2-F3	-05005-	3-G7	-10510-	1-B4	-62915-	3-F8		
90917-06003-	1-H4	-01199-	2-F3	-07008-	3-F8	-10530-	1-B4	-62920-	3-F8		
-06012-	1-H4	-01200-	2-F3	08081-	3-J7	-10560-	1-B4	99132-11075-	3-B7		
		90942-01007-	2-K4	08147-	3-J7	-10580-	1-B4	-11250-	3-E7		
-06024-	1-I1		3-D1	-08151-	3-J7	-10650-	1-L4		3-M6		
-10020-	3-G1			-08186-	3-J7	-10700-	1-L4	-11270-	3-L6		
-10038-	1-F1	-01030-	2-K4	-08191-	3-J7	-10690-	1-L4	-12034-	3-A8		
-10057-	1-B3	-01047-	2-K4	-08213-	3-J7	-10750-	1-L4		3-B8		
		-02034-	2-J4	90984-01005-	3-F8	-10800-	1-L4	-12080-	3-C7		
-11023-	1-G5	-02044-	2-D5	-01007-	3-G8	96112-10250-	1-G3		3-L6		
-11024-	1-G5	-03070-	2-K4	90985-02001-	3-F10	-10330-	1-M3	-21250-	3-M6		
90919-01065-	1-B5	-03081-	2-K4	90987-92004-	3-H8	-10380-	1-B5	99134-11050-	3-B8		

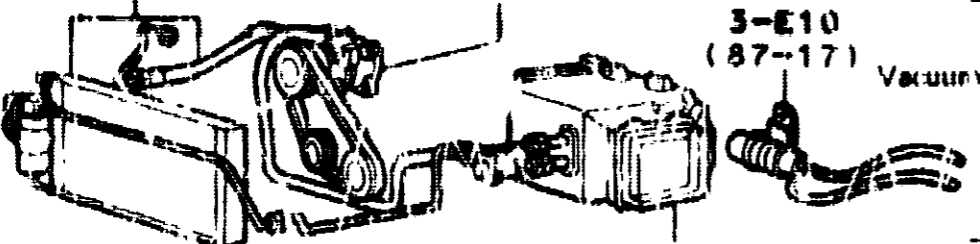
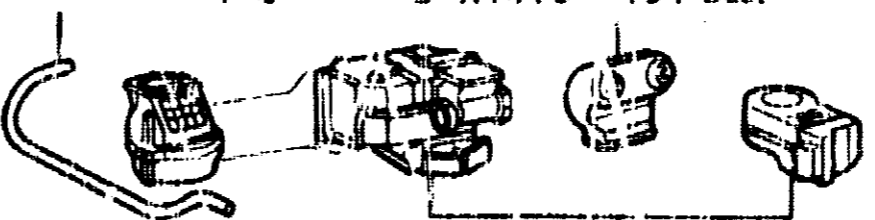
## ILLUSTRATED INDEX

<p>3-F7 (82-01) </p> <p>Battery &amp; Cable</p>	<p>3-H7 (82-02) </p> <p>Wiring &amp; Clamp</p>	<p>3-A7 (83-01) </p> <p>Meter</p>	<p>3-B6 (83-02) </p> <p>Indicator</p>	<p>3-D8 (84-01) </p> <p>Switch &amp; Relay</p>	<p>3-18 (84-06) </p> <p>EDIC</p>
--	--	--	--	---	---

### ELECTRICAL GROUP (2/2)



<p>3-B9 (86-01) </p> <p>Radio &amp; Tape Player</p>
<p>3-D9 (86-02) </p> <p>Speaker</p>

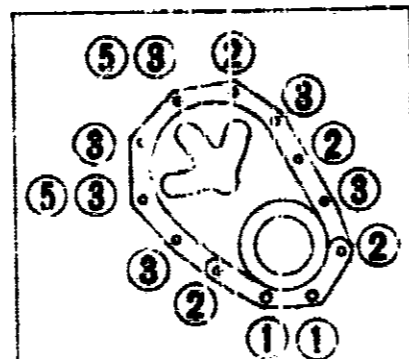
<p>3-F10 (87-18) Piping    3-H10 (87-19) Compressor</p> <p> 3-E10 (87-17) Vacuum</p> <p>3-L9 (87-14) Unit</p>	<p>3-B10 (87-16) Piping    3-A11 (87-15) Duct</p> <p></p> <p>3-J9 (87-12) Unit</p>
---	---

3-M9 (87-11) Set

(8008-8307)2F

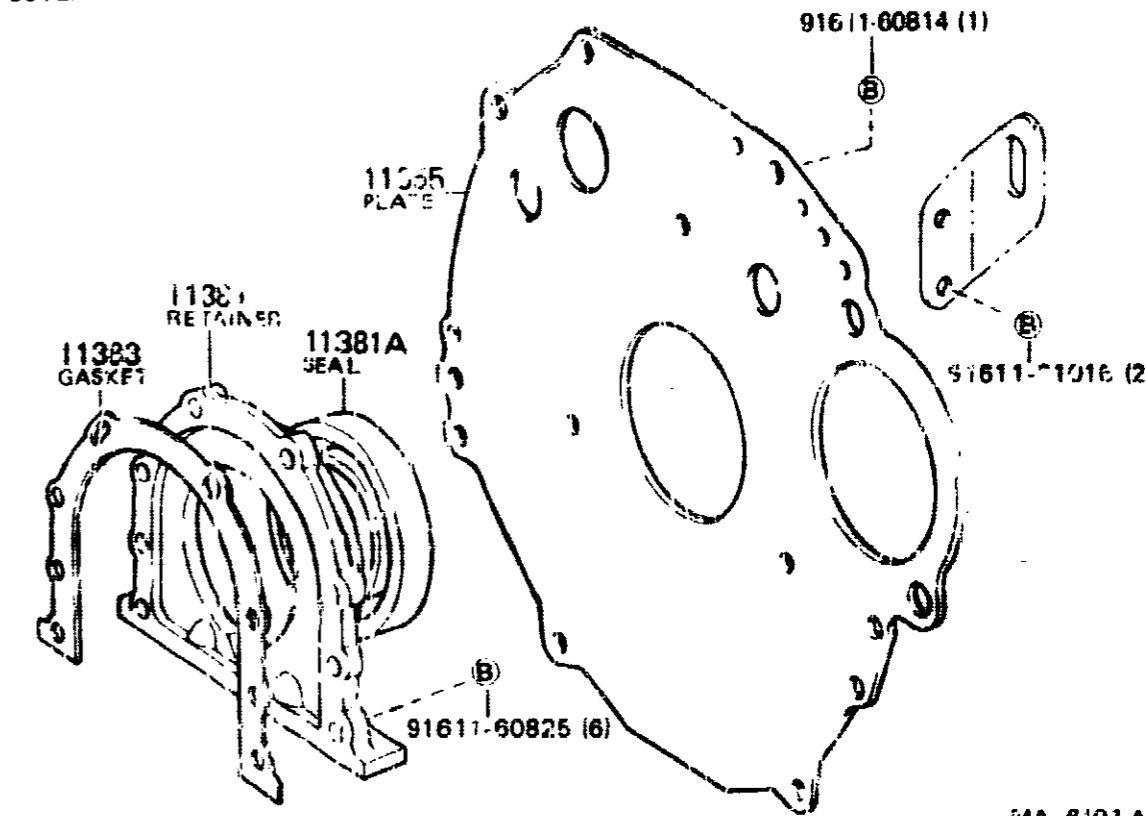
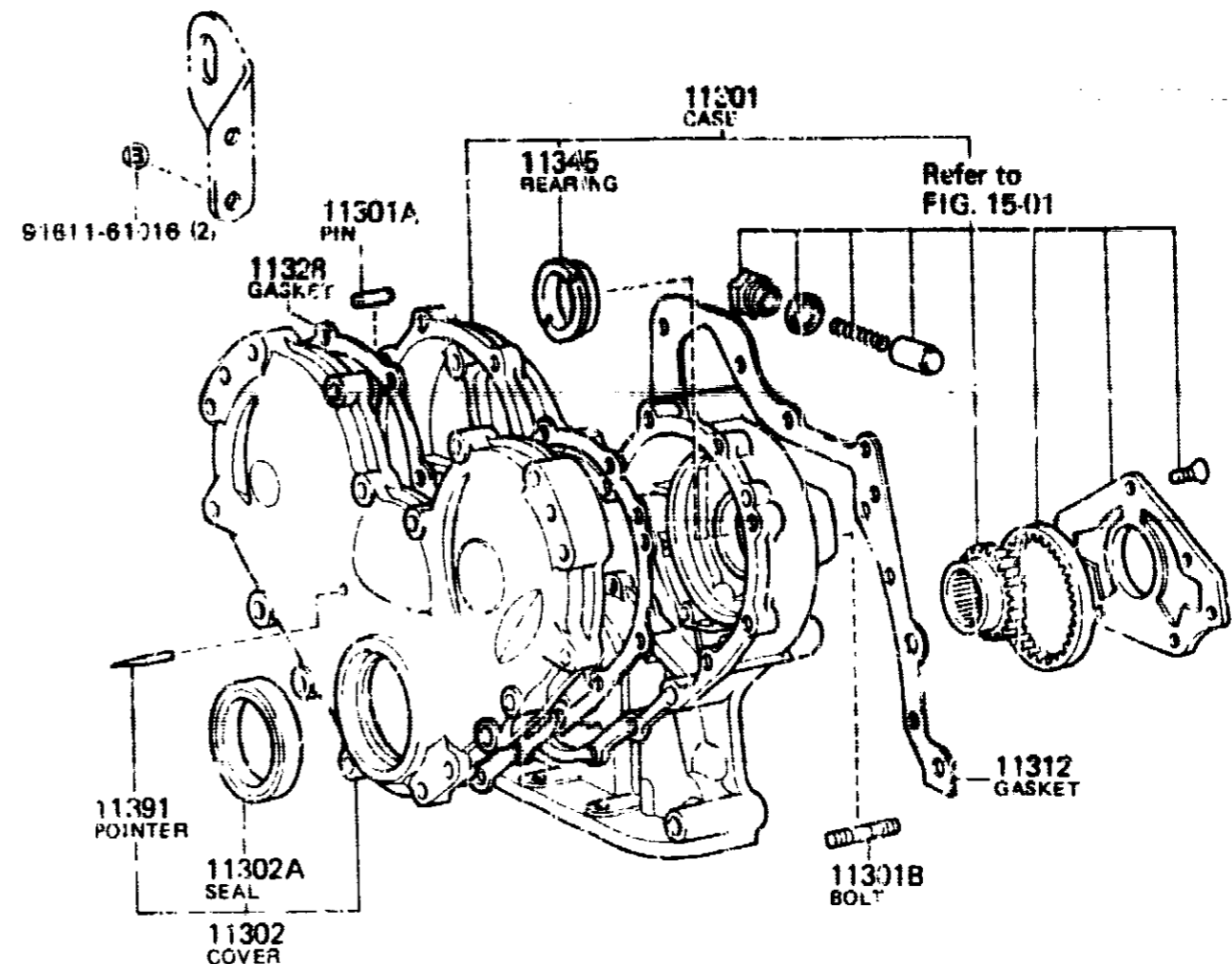
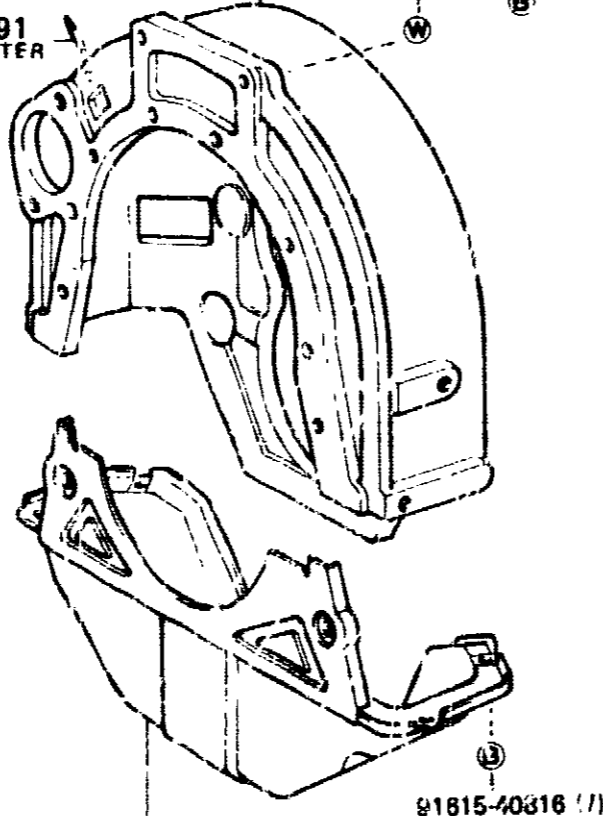
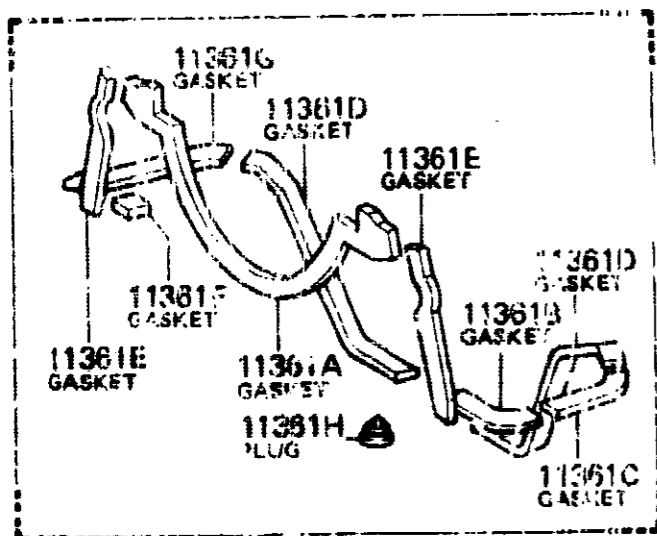
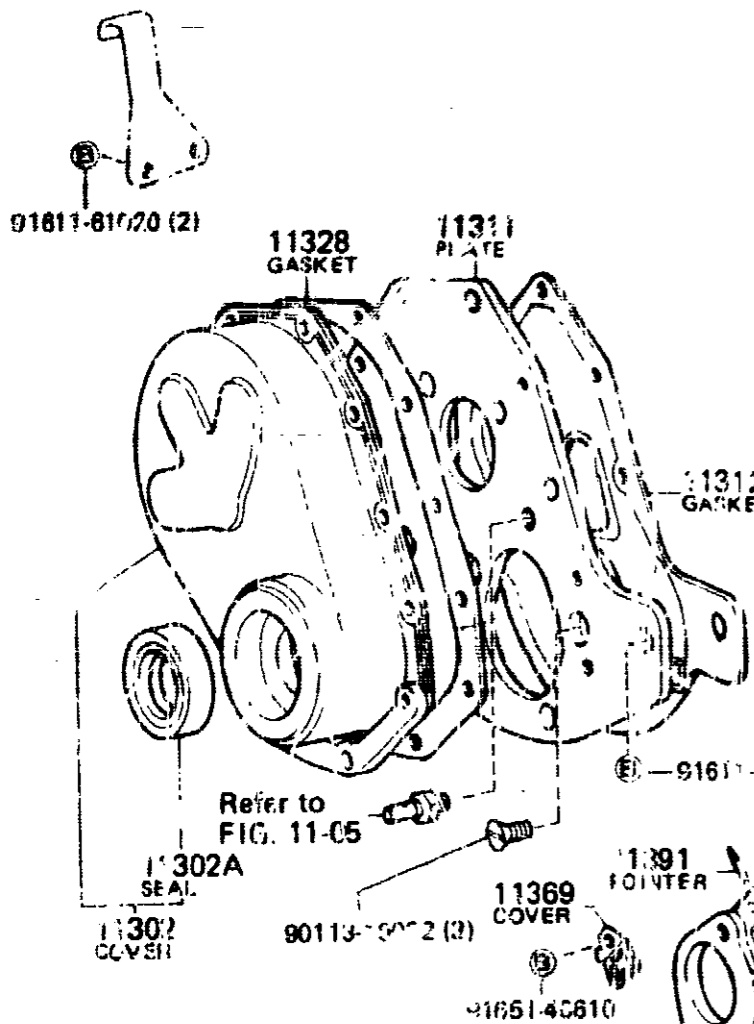
(3008- )3B

ILLUST. NO. 10F2



①		90113-10041 (2)
②		91381-28014 (4)
③		91381-18008 (6)
*④		91381-18010 (2)
⑤		91179-06158 (2)

\*1 W/OIL COOLER



MA 4713-E

MA 6197-A

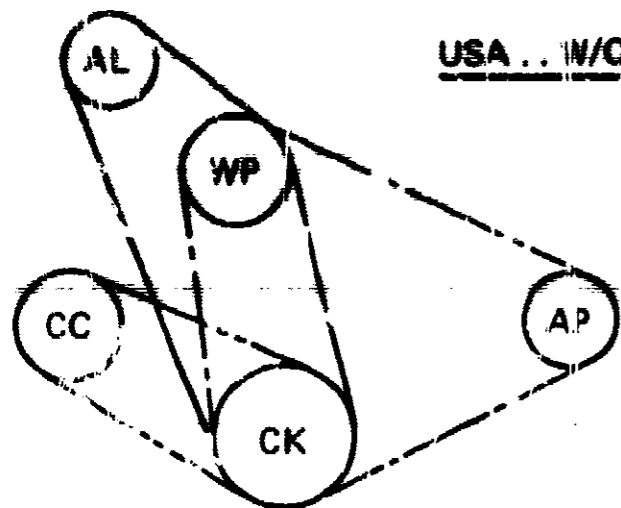
PROD DATE	MODELS	DESCRIPTION	PART NUMBER	QTY	REV. REF. CODE	
					FROM	UP TO
8008-8410	CONTINUED 3B..BJ42	LOCK, VALVE SPRING RETAINER	90913-03019-	16	1	80
8008-8309	2F..FJ40	LIFTER, VALVE STD	13751-61010-	12	1	
8008-8309	2F..FJ40	O/D 0.05	13755-61010-	12	1	
8008-8305	3B..BJ42		13751-56011- (13751-56012-)	8	1	
8305-8408	3B..BJ42		13751-56012-	3		
8408-8410	3B..BJ42		13751-56020-	8		80
8008-8309	2F..FJ40	ROD, VALVE PUSH	13781-61010-	12	1	
8008-8408	3B..BJ42		13781-31011-	8	1	
8408-8410	3B..BJ42		13781-56010-	8		80
8008-8309	2F..FJ40	ARM SUB-ASSY, VALVE ROCKER, NO.1	13811-61021-	6	1	
8008-8408	3B..BJ42		13811-56020-	4	1	
8408-8410	3B..BJ42		13811-56030-	4		80
8008-8309	2F..FJ40	NUT, HEXAGON (FOR VALVE ADJUSTING)	90170-10014-	12	1	
8008-8408	3B..BJ42		90170-10074-	8	1	
8408-8410	3B..BJ42		90041-00001-	8		80
8408-8410	3B..BJ42	SCREW, VALVE ADJUSTING	90913-05021-	8		80
8008-8408	3B, 2F..BJ42, FJ40		90913-05007-	12	1	
8008-8410	3B, 2F..BJ42, FJ40	SPRING, COMPRESSION (FOR ROCKER ARM)	90501-16163-	5	1	80
8008-8309	2F..FJ40	ARM SUB-ASSY, VALVE ROCKER, NO.2	13812-61021-	6	1	
8008-8408	3B..BJ42		13812-56020-	4	1	

PROD. DATE	MODELS	DESCRIPTION	PART NUMBER	QTY	REV. REF. CODE	
					FROM	UP TO
8408-8410	CONTINUED 3B..BJ42	ARM SUB-ASSY, VALVE ROCKER, NO.2	13812-56030-	4		80
8008-8309	2F..FJ40	SHAFT SUB-ASSY, VALVE ROCKER, NO.1	13901-61011- (13901-61020-)	1	1	
8008-8410	3B..BJ42		13901-56020-	1	1	80
8008-8309	2F..FJ40	SPRING, CONICAL (FOR VALVE ROCKER SHAFT)	90502-16004-	2	1	
8008-8309	2F..FJ40	SPRING, RETAINER (FOR VALVE ROCKER SHAFT)	90524-15008-	2	1	
8008-8309	2F..FJ40	SUPPORT, VALVE ROCKER, NO.1	13951-61012- (13952-61012-)	5	1	
8008-8410	3B..BJ42		13951-56010-	1	1	80
8008-8309	2F..FJ40	BOLT (FOR ROCKER SUPPORT SET)	90910-01006-	2	1	
8008-8410	3B..BJ42	X8-1.25PX5 5-30	91611-60855-	5	1	80
8008-8410	3B..BJ42	X8-1.25PX6 5-30	91611-60865-	5	1	80
8008-8408	3B..BJ42	SCREW OR BOLT (FOR VALVE ROCKER SHAFT LOCK)	90149-60001- (90109-06014-)	2	1	
8408-8410	3B..BJ42		13958-56010-	2		80
8008-8309	2F..FJ40	BOLT, STUD (FOR ROCKER SUPPORT)	13994-61010-	4	1	
8008-8410	3B..BJ42	L=84, S=9&2 9	90116-08123-	4	1	80
8008-8410	3B..BJ42	WASHER, SEAL (FOR HEAD COVER SET)	90201-06177-	2	1	80

\* O--O PX O--O =  
Outside diameter--Pitch x Pol. length--Thread length

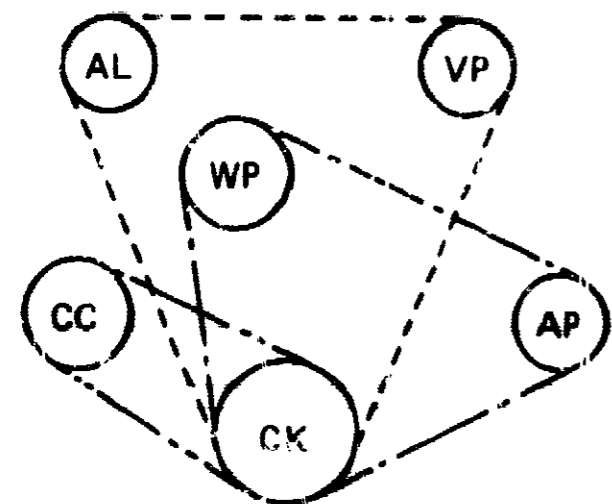
ILLUST. NO. 20F2

V-belt Application Chart



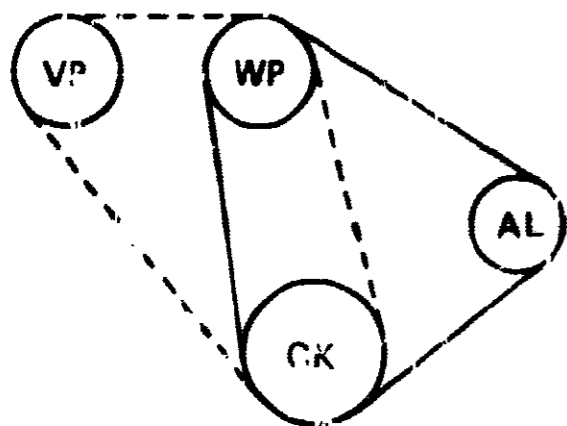
USA . . W/O PS

- AL : Alternator
- WP : Water Pump
- CK : Crankshaft
- AP : Air Pump
- CC : Cooler Compressor
- VP : Vane Pump



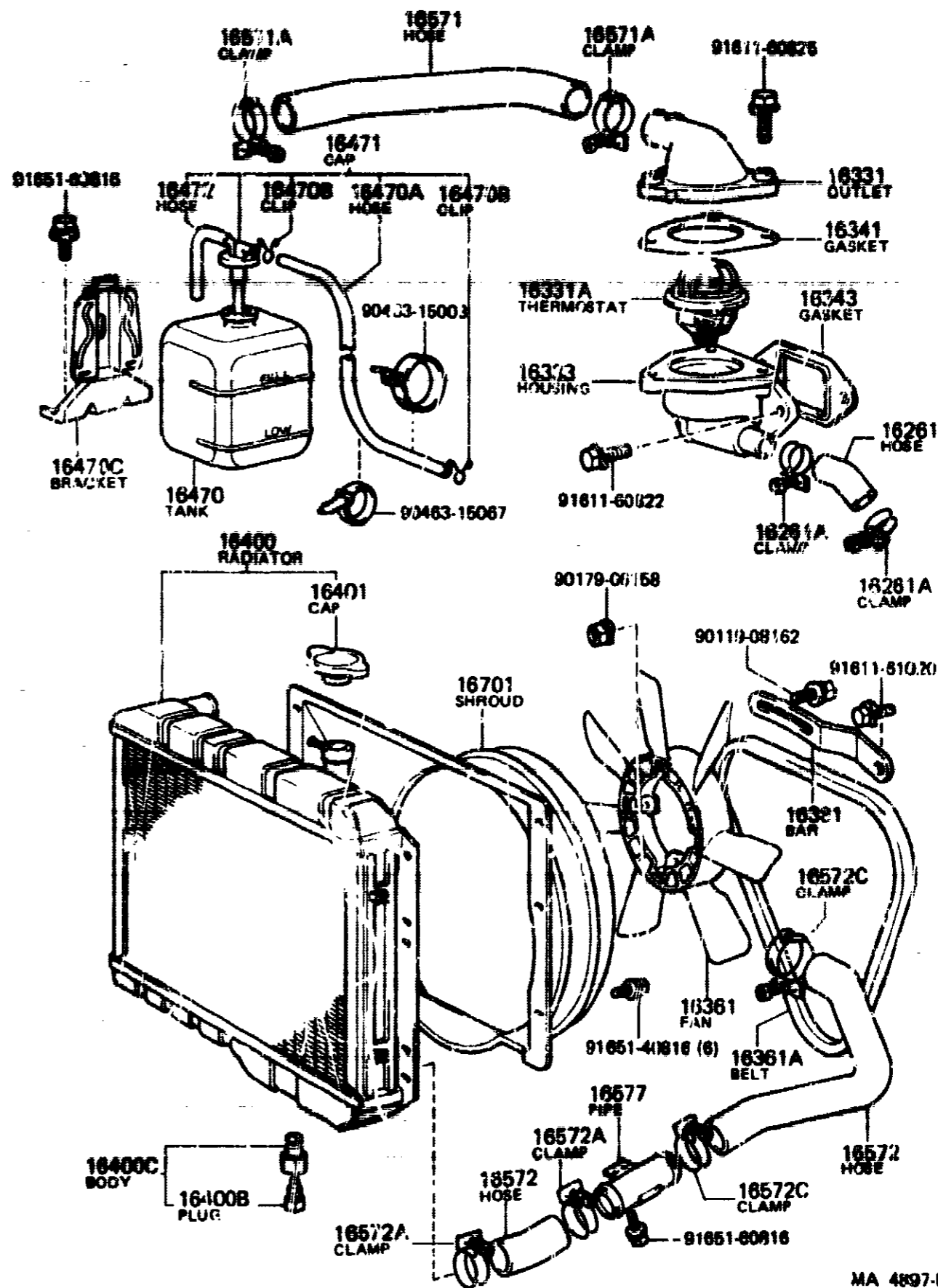
USA . . W/ PS

CN



	P.N.C.	FIG. NO.
————	16361A	16-03
-----	44310A	45-03
-----	17610B	17-05
-----	88310A	87-19

MA 5177



MA 4897-E

PROD. DATE	MODEL	DESCRIPTION	PART NUMBER	QTY	REV. REF. CODE	
					FROM	UP TO
	17705	CAP SUB-ASSY, AIR CLEANER				
8008-8309	2F..FJ40		17705-61023-	1	1	
8008-8110	3B..BJ42	PAPER ELEMENT	17705-56071-	1	1	6
8110-8410	3B..BJ42	PAPER ELEMENT	17705-56290-	1	7	80
	17709	INLET SUB-ASSY, AIR CLEANER				
8008-8410	3B..BJ42	BODY SIDE	17795-90300-	1	1	80
8008-8410	3B..BJ42	AIR CLEANER R SIDE	17796-90300-	1	1	80
	17728	VALVE, THERMOSTATIC				
8008-8309	2F..FJ40		17728-24030-	1	1	
	17728A	BUSH				
8008-8309	2F..FJ40		90386-03001-	1	1	
	17751	INLET, AIR CLEANER, NO.1				
8008-8309	2F..FJ40		17751-61021-	1	1	
	17801	ELEMENT SUB-ASSY, AIR CLEANER FILTER				
8008-8309	2F..FJ40		17801-61010-	1	1	
8008-8210	3B..BJ42		17801-66020- (17801-68020-)	1	1	18
8210-8410	3B..BJ42		17801-68020-	1	19	80
	17841	GASKET, FILTER ELEMENT				
8008-8309	2F..FJ40		17841-61011-	2	1	
8008-8410	3B..BJ42		17841-68010-	2	1	80
	17845	GASKET, AIR CLEANER CAP				
8008-8309	2F..FJ40		17845-61011-	1	1	
8008-8210	3B..BJ42		17845-56040- (17845-61011-)	1	1	
8210-8410	3B..BJ42	XG,L=835	17845-61011-	1		80
	17848	GASKET, AIR CLEANER TO CARBURETOR				
8008-8309	2F..FJ40		17848-61020-	1	1	

\*G,L=Cut gasket to length as specified in remarks

PROD. DATE	MODEL	DESCRIPTION	PART NUMBER	QTY	REV. REF. CODE	
					FROM	UP TO
	17861	CONNECTOR, INTAKE AIR				
8008-8410	3B..BJ42		17885-56010-	1	1	80
	17881	HOSE, AIR CLEANER, NO.1				
8008-8309	2F..FJ40		17881-61010-	1	1	
8008-8410	3B..BJ42		17881-56030-	1	1	80
	17881A	CLAMP (FOR AIR CLEANER HOSE, NO.1)				
8008-8309	2F..FJ40		96111-10650-	1	1	
8008-8410	3B..BJ42		96111-10670-	1	1	80
	17882	HOSE, AIR CLEANER, NO.2				
8008-8309	2F..FJ40		17882-61011-	1	1	
8008-8410	3B..BJ42		17882-56020-	1	1	80
	17882A	CLAMP (FOR AIR CLEANER HOSE, NO.2)				
8008-8309	2F..FJ40	INLET SIDE	96460-01007-	1	1	
8008-8309	2F..FJ40	AIR CLEANER R SIDE	96111-10800-	1	1	
8008-8410	3B..BJ42	CONNECTOR R SIDE	96111-10670-	1	1	80
8008-8410	3B..BJ42	AIR CLEANER R SIDE	96111-10750-	1	1	80
	17882B	CLAMP (FOR COOL AIR INTAKE)				
8008-8410	3B..BJ42		17782-90300-	1	1	80
	17882C	BRACKET (FOR COOL AIR INTAKE)				
8008-8410	3B..BJ42		17781-90300-	1	1	80
	17883A	CLAMP (FOR AIR CLEANER HOSE, NO.3)				
8008-8410	3B..BJ42	INLET SIDE	17783-90300-	1	1	80
8008-8410	3B..BJ42	AIR CLEANER R SIDE	96111-10690-	1	1	80

PROD. DATE	MODELS	DESCRIPTION	PART NUMBER	QTY	REV. REF. CODE		PROD. DATE	MODELS	DESCRIPTION	PART NUMBER	QTY	REV. REF. CODE	
					FROM	UP TO						FROM	UP TO
FIG.	19-02 DISTRIBUTOR												
	1 19100	DISTRIBUTOR ASSY											
8008-8110	2F..FJ40..CND		19100-61092-	1	1	6	8008-8110	2F..FJ40..CND		19127-41141-	1	1	6
8008-8309	2F..FJ40..USA		19100-61102-	1	1		8008-8309	2F..FJ40..USA		19127-52020-	1	1	
	1 19101	CAP SUB-ASSY, DISTRIBUTOR											
8008-8110	2F..FJ40..CND		19101-61101-	1	1	6	8008-8110	2F..FJ40..CND		19144-61091-	1	1	6
8008-8309	2F..FJ40..USA		19101-51102-	1	1								
	1 19102	ROTOR SUB-ASSY, DISTRIBUTOR											
8008-8109	2F..FJ40..CND		19102-61091-	1	1		8008-8110	2F..FJ40..CND		19151-61100-	1	1	6
8109-8110	2F..FJ40..CND		19102-45150-	1		6							
8008-8010	2F..FJ40..USA		19102-61102- (19102-43060-)	1	1		8008-8309	2F..FJ40		19152-45060-	2	1	
8010-8309	2F..FJ40..USA		19102-43060-	1									
	1 19105	GOVERNOR SUB-ASSY											
8008-8110	2F..FJ40..CND		19105-61091-	1	1	6	8008-8110	2F..FJ40..CND		90099-07104-	2	1	6
	1 19107A	RING, DISTRIBUTOR HOUSING D					8008-8309	2F..FJ40..USA		90099-07109-	2	1	
8008-8309	2F..FJ40		90099-14020-	1	1								
	1 19114	COVER, WATER PROOF (FOR DISTRIBUTOR)											
8008-8110	2F..FJ40..CND		19114-61011-	1	1	6	8008-8110	2F..FJ40..CND		19153-61091-	1	1	6
8008-8110	2F..FJ40..V..USA	OLD SPEC	19114-61030-	1	1	6	8008-8309	2F..FJ40..USA		19153-61102-	1	1	
8110-8309	2F..FJ40..V..USA			1	1								
	1 19115	PIECE, DISTRIBUTOR CAP CENTER											
8008-8309	2F..FJ40		19115-50010-	1	1		8008-8110	2F..FJ40..CND		19154-61091-	1	1	6
	1 19121	COVER, DUST PROOF DISTRIBUTOR					8008-8309	2F..FJ40..USA		19154-61102-	1	1	
8008-8110	2F..FJ40..CND		19121-41140-	1	1	6							
8008-8309	2F..FJ40..USA		19121-27020-	1	1								
	1 19122	PLATE, STATIONARY, DISTRIBUTOR											
8008-8110	2F..FJ40..CND		19122-45070-	1	1	6	8008-8309	2F..FJ40		19155-61100-	1	1	
8008-8309	2F..FJ40..USA		19122-85262-	1	1								
	1 19127	PACKING, DUST PROOF											
	1 19144	LEAD, DISTRIBUTOR BREAKER											
	1 19151	SHAFT, GOVERNOR											
	1 19152	WEIGHT, GOVERNOR											
	1 19152A	RING, SNAP (FOR GOVERNOR WEIGHT)											
	1 19153	SPRING, GOVERNOR, A											
	1 19154	SPRING, GOVERNOR, B											
	1 19155	GEAR, SPIRAL, DISTRIBUTOR											
	1 19169	STOPPER, CAM GREASE											
	1 19181	ROTOR SUB-ASSY, SIGNAL											
	1 19220	ADVANCER ASSY, VACUUM, DISTRIBUTOR											

FIG.21-02 CARBURETOR ASSEMBLY

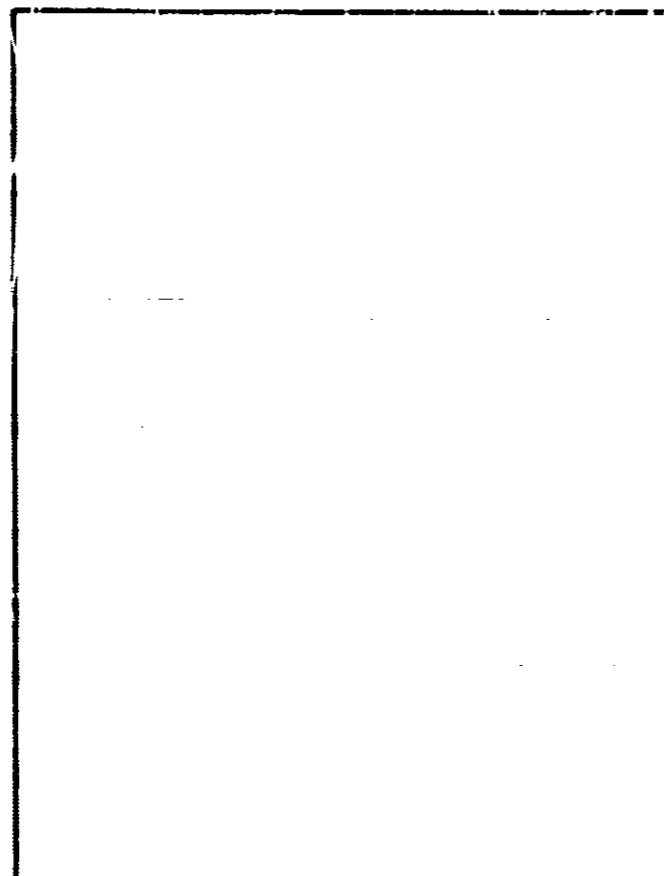
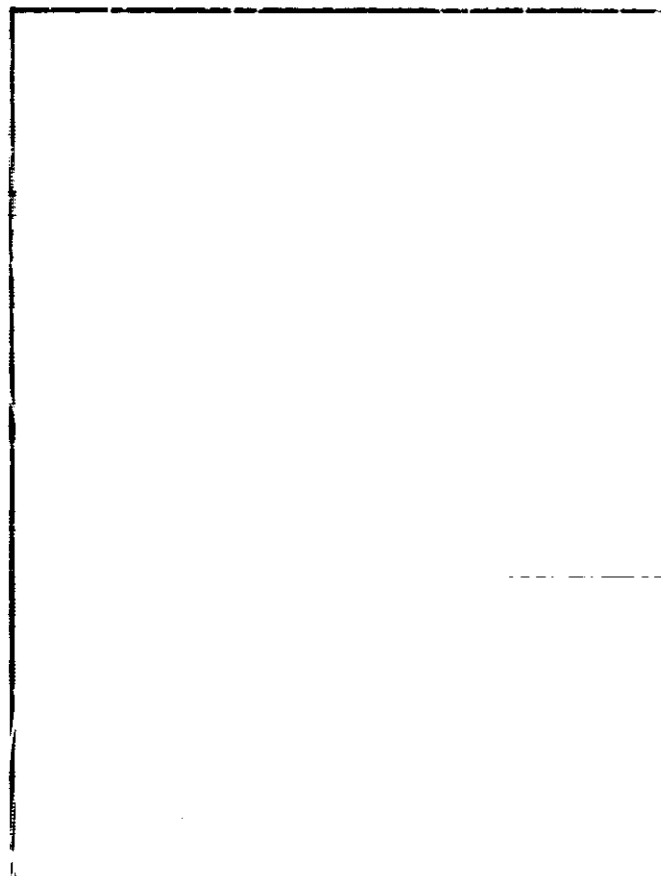
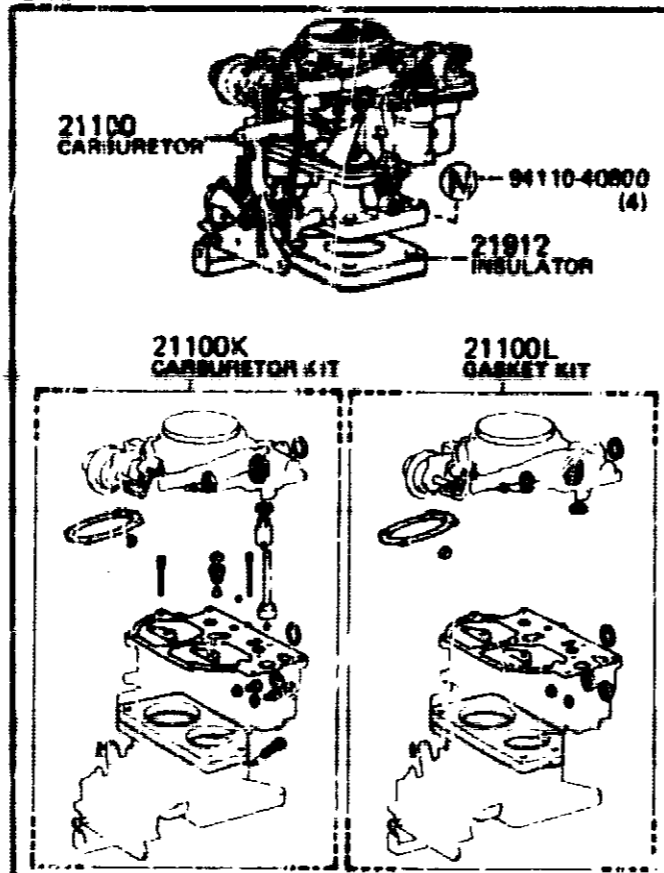
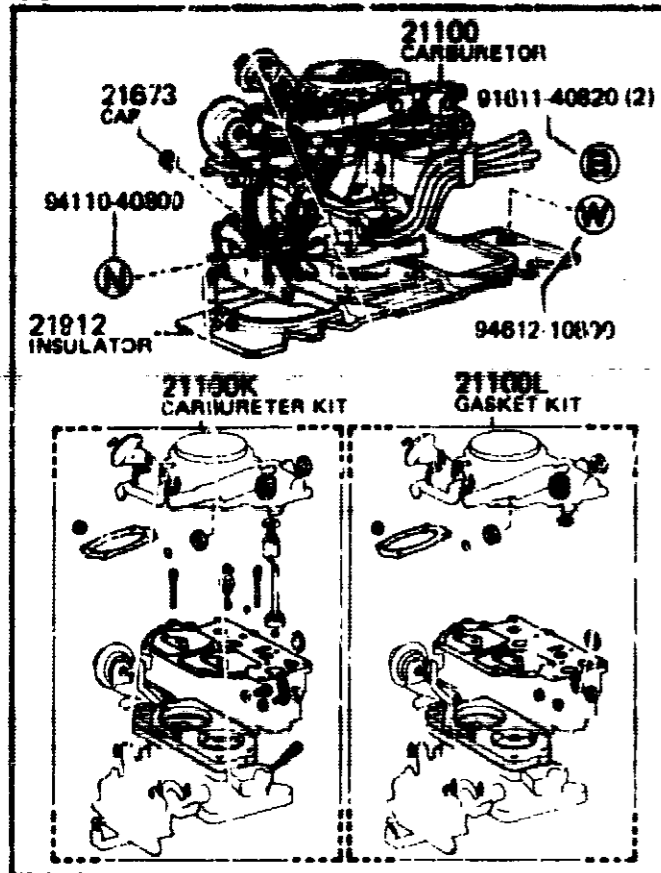
1-L6

GENUINE TOYOTA PARTS

(8008-8309)ZF

USA

CND



MF 2521-A

PROD. DATE	MODELS	DESCRIPTION	R/P	PART NUMBER	QTY	R.V. REF. CODE	
						FROM	UP TO
FIG.	21-02 CARBURETOR ASSEMBLY						
	21100	CARBURETOR ASSY					
8110-8309	2F..FJ40			21100-61141-	1		7
8008-8110	2F..FJ40..CND			21100-61102-	1	1	6
8008-8110	2F..FJ40..USA			21100-61140- (21100-61141-)	1	1	6
	21100K	CARBURETOR KIT					
8008-8110	2F..FJ40..CND			04211-61140-	1	1	6
8008-8309	2F..FJ40..USA			04211-61170-	1	1	
	21100L	GASKET KIT, CARBURETOR					
8008-8309	2F..FJ40			04212-61030-	1	1	
	21673	CAP, IDLE LIMIT					
8008-8305	2F..FJ40..USA			21673-38020-	1	1	46
	21912	INSULATOR, CARBURETOR HEAT					
8008-8110	2F..FJ40..CND			21912-61020-	1	1	6
8008-8309	2F..FJ40..USA			21912-61032-	1	1	

MF2521A

M74-18-0116



PROD. DATE	MODELS	DESCRIPTION	R/P	PART NUMBER	QTY	REV. REF. CODE	
						FROM	UP TO
FIG.	22-04	PNEUMATIC GOVERNOR					
8008-8410	3B..BJ42	BRACKET, DIAPHRAGM CONNECTING		22178-56011-	1	1	80
8008-8410	3B..BJ42	DIAPHRAGM SUB-ASSY, GOVERNOR		22303-47010-	1	1	80
8008-8410	3B..BJ42	LEVER SUB-ASSY, INJECTION PUMP, NO.3		22408-68010-	1	1	80
8008-8410	3B..BJ42	RING, D (FOR NO.3 LEVER)		96710-01008- (96711-19008- )	1	1	80
8008-8410	3B..BJ42	KEY (FOR NO.3 LEVER)		90099-13001-	1	1	80
8008-8410	3B..BJ42	LEVER SUB-ASSY, INJECTION PUMP, NO.1		22308-56130-	1	1	80
8008-8410	3B..BJ42	GASKET (FOR GOVERNOR HOUSING)		22442-77130-	1	1	80
8008-8410	3B..BJ42	GASKET (FOR INJECTION PUMP HOUSING)		22442-77131-	1	1	80
8008-8410	3B..BJ42	GOVERNOR ASSY, INJECTION PUMP		22320-58030- (22320-58031- )	1	1	80
8008-8302	3B..BJ42	PLUG, DIAPHRAGM HOUSING SEALING SCREW		22311-77130-	1	1	
8302-8410	3B..BJ42			22457-58010-	1		80
8008-8410	3B..BJ42	CAPSULE, IDLING		22318-48030-	1	1	80
8008-8410	3B..BJ42	NUT, GOVERNOR IDLING SPRING SET		22319-77010-	1	1	80

PROD. DATE	MODELS	DESCRIPTION	R/P	PART NUMBER	QTY	REV. REF. CODE	
						FROM	UP TO
8008-8302	3B..BJ42	HOUSING, GOVERNOR DIAPHRAGM		22323-77010-	1	1	
8302-8410	3B..BJ42			22323-58010-	1		80
8008-8410	3B..BJ42	SPRING, GOVERNOR MAIN		22326-58010-	1	1	80
8008-8410	3B..BJ42	BOLT, DIAPHRAGM CONNECTING		22329-77021-	1	1	80
8008-8410	3B..BJ42	BOLT, DIAPHRAGM CONNECTING, NO.2		22329-77130-	1	1	80
8008-8410	3B..BJ42	SPRING, DIAPHRAGM STOP LEVER RETURN		22333-56040-	1	1	80
8008-8410	3B..BJ42	SEAL, LEAD		22354-77050-	4	1	80
8008-8410	3B..BJ42	WIRE, GOVERNOR HOUSING SEAL		22355-36010-	4	1	80
8008-8410	3B..BJ42	SCREW, DIAPHRAGM HOUSING SET		90099-04945-	1	1	80
8008-8410	3B..BJ42	SHIM, MAIN SPRING		22361-76010-	2	1	80
8008-8410	3B..BJ42	T=3.0		22362-76010-	2	1	80
8008-8410	3B..BJ42	T=2.0		22363-76010-	2	1	80
8008-8410	3B..BJ42	T=1.0		22364-76010-	2	1	80
8008-8410	3B..BJ42	T=0.5					
8008-8410	3B..BJ42	WASHER, DRAIN SCREW		22378-76010- (22113-77090- )	2	1	80
8008-8111	3B..BJ42	BELLOWS ASSY, PNEUMATIC		22680-48061- (22680-48062- )	1	1	

## FIGURE NUMBER INDEX

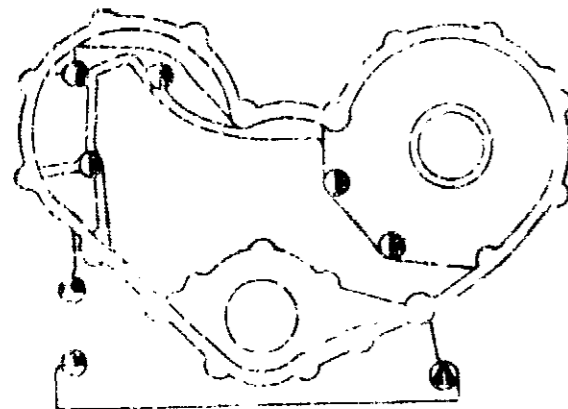
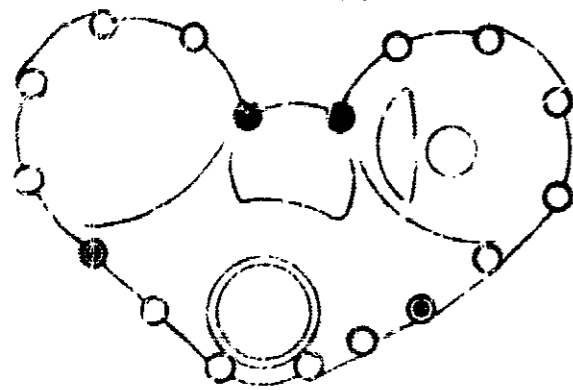
LOCATION	FIG.No.	SUMMARY	LOCATION	FIG.No.	SUMMARY	LOCATION	FIG.No.	SUMMARY
		<b>TOOL GROUP</b>			<b>FUEL GROUP</b>			
1-A1	09-01	STANDARD TOOL	1-K6	21-01	FUEL PIPE & CLAMP	2-C4	41-01	REAR AXLE HOUSING & DIFFERENTIAL
		<b>ENGINE GROUP</b>	1-L6	21-02	CARBURETOR ASSEMBLY	2-H4	41-02	REAR AXLE SHAFT
1-C1	11-01	PARTIAL ENGINE ASSEMBLY	1-M6	21-03	CARBURETOR	2-K4	41-03	WHEEL CAP & WHEEL ASSY
1-D1	11-02	SHORT BLOCK ASSEMBLY	1-E7	22-01	INJECTION NOZZLE	2-M4	43-01	FRONT AXLE HOUSING & DIFFERENTIAL
1-E1	11-03	ENGINE OVERHAUL GASKET KIT	1-G7	22-02	INJECTION PUMP ASSEMBLY	2-C5	43-02	DRIVE SHAFT
1-F1	11-04	CYLINDER HEAD	1-H7	22-03	INJECTION PUMP BODY	2-D5	43-03	FRONT AXLE HUB
1-I1	11-05	CYLINDER BLOCK	1-K7	22-04	PNEUMATIC GOVERNOR	2-F5	45-01	STEERING COLUMN & GEAR HOUSING
1-L1	11-08	TIMING GEAR COVER & REAR END PLATE	1-A8	23-06	FUEL FEED PUMP	2-M5	45-02	VANE PUMP & RESERVOIR
1-B2	11-07	MOUNTING	1-C8	22-07	AUTOMATIC TIMER	2-C6	45-03	OIL COOLER & TUBE
1-D2	12-01	VENTILATION HOSE	1-D8	23-01	FUEL PUMP	2-F6	45-04	STEERING WHEEL
1-F2	13-01	CRANKSHAFT & PISTON	1-E8	23-02	FUEL FILTER	2-G6	45-05	STEERING LINK
1-J2	13-02	CAMSHAFT & VALVE	1-H8	25-01	EXHAUST GAS RECIRCULATION SYSTEM	2-J6	46-01	PARKING BRAKE & CABLE
1-A3	16-01	OIL PUMP	1-J8	26-06	VENTURI	2-L6	47-01	BRAKE PEDAL & BRACKET
1-D3	15-02	OIL FILTER			<b>POWER TRAIN-CHASSIS GROUP</b>	2-M6	47-02	BRAKE MASTER CYLINDER
1-F3	15-03	OIL COOLER	2-A1	31-01	CLUTCH & RELEASE FORK	2-B7	47-03	BRAKE BOOSTER
1-H3	16-01	WATER PUMP	2-C1	31-02	CLUTCH PEDAL & FLEXIBLE HOSE	2-E7	47-06	FRONT DISC BRAKE CALIPER & DUST COVER
1-K3	16-03	RADIATOR & WATER OUTLET	2-E1	31-03	CLUTCH MASTER CYLINDER	2-G7	47-08	REAR BACKING PLATE & WHEEL CYLINDER
1-C4	17-01	MANIFOLD	2-F1	31-05	CLUTCH RELEASE CYLINDER	2-J7	47-08	BRAKE TUBE & CLAMP
1-G4	17-02	EXHAUST PIPE	2-H1	33-01	TRANSAXLE OR TRANSMISSION ASSY & GASKET KIT (MTM)	2-A8	48-02	FRONT AXLE ARM & STEERING KNUCKLE
1-J4	17-03	AIR CLEANER	2-J1	33-02	CLUTCH HOUSING & TRANSMISSION CASE (MTM)	2-C8	48-03	FRONT SPRING & SHOCK ABSORBER
1-M4	17-06	AIR PUMP	2-L1	33-04	SPEEDOMETER DRIVEN GEAR (MTM)	2-F8	48-04	REAR SPRING & SHOCK ABSORBER
1-B5	17-06	MANIFOLD AIR INJECTION SYSTEM	2-M1	33-05	TRANSMISSION GEAR (MTM)			
1-D5	17-08	VACUUM PIPING	2-E2	33-07	GEAR SHIFT FORK & LEVER SHAFT (MTM)			
1-H5	17-09	CAUTION PLATE & NAME PLATE	2-I2	33-12	SHIFT LEVER & RETAINER			
1-I5	19-01	IGNITION COIL & SPARK PLUG	2-K2	36-08	TRANSFER ASSY & GASKET KIT			
1-K5	19-02	DISTRIBUTOR	2-L2	36-09	TRANSFER CASE & EXTENSION HOUSING			
1-A6	19-03	ALTERNATOR	2-A3	36-10	TRANSFER GEAR			
1-E6	19-04	STARTER	2-D3	36-11	TRANSFER LEVER & SHIFT ROD			
1-I6	19-05	VACUUM PUMP	2-F3	37-01	PROPELLER SHAFT & UNIVERSAL JOINT			
			2-H3	38-01	WINCH KIT			
			2-I3	38-02	WINCH			

LAND CRUISER (U. S. A)



(8008- 13B

ILLUST. NO. 20F2



○	Ⓑ	91611-60835 (13)
●	Ⓒ	90119-08145 (2)
⊙	Ⓓ	90119-10073 (2)

●	Ⓕ	91611-60825 (5)
●	Ⓖ	91611-61060 (2)
●	Ⓗ	90119-10073 (1)

MA 8198

PROD. DATE	MODELS	DESCRIPTION	PART NUMBER	QTY	REV. REF. CODE	
					FROM	UP TO
<b>FIG. 11-06 TIMING GEAR COVER &amp; REAR END PLATE</b>						
		11301 CASE SUB-ASSY, TIMING GEAR				
8008-8402	3B..BJ42		11301-56030- (11301-56031-) (91611-50820-)	1	1	
8402-8410	3B..BJ42		11301-56031-	1		80
		11301A PIN, STRAIGHT (FOR TIMING GEAR CASE)				
8008-8410	3B..BJ42		90250-08120-	2		80
		11301B BOLT, STUD (FOR TIMING GEAR CASE)				
8008-8410	3B..BJ42		90116-10048-	3		80
		11302 COVER SUB-ASSY, TIMING GEAR (OR CHAIN)				
8008-8309	2F..FJ40		11302-61020- (11302-61030-) (11320-61010-)	1		
8008-8410	3B..BJ42		11302-56030-	1	1	80
		11302A SEAL, OIL (FOR TIMING GEAR COVER)				
8008-8309	2F..FJ40		90311-45069-	1		
8008-8410	3B..BJ42		90311-50102-	1	1	80
		11308 COVER SUB-ASSY, FLYWHEEL HOUSING				
8008-8010	2F..FJ40		31111-60010- (31111-60011-)	1	1	
8010-8307	2F..FJ40		31111-63011- (31111-60012-)	1		
8307-8309	2F..FJ40		31111-60032-	1		
		11311 PLATE, FRONT END				
8008-8309	2F..FJ40		11311-61010- (11311-61020-)	1	1	
		11312 GASKET, FRONT END PLATE				
8008-8309	2F..FJ40		11312-51010-	1	1	
8008-8408	3B..BJ42		11312-56030- (11312-56031-)	1	1	
8408-8410	3B..BJ42		11312-56031-	1		80

FIG. 13-02

GENUINE TOYOTA PARTS

1-M2

GENUINE TOYOTA PARTS

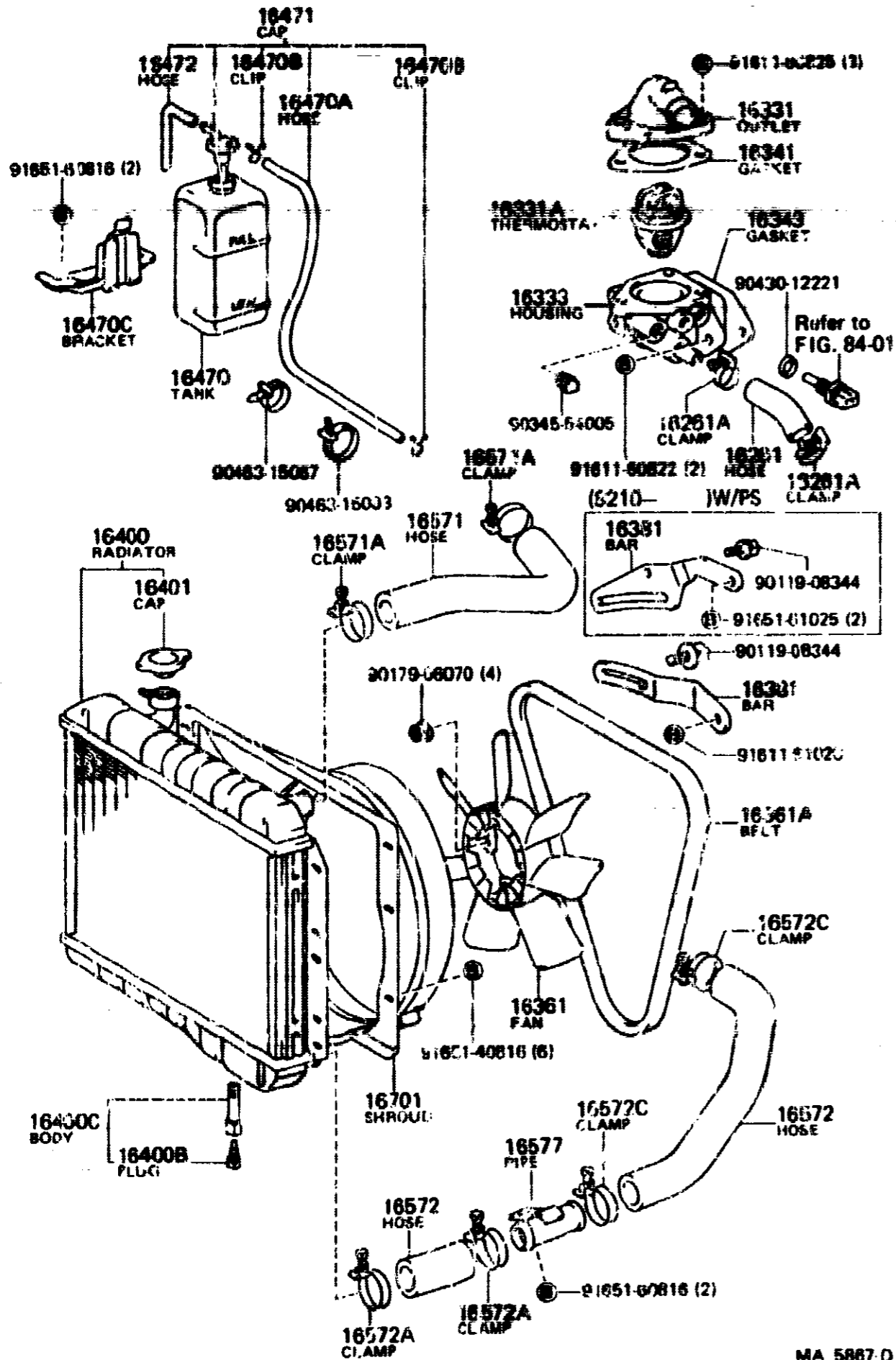
PRD. DATE	MODELS	DESCRIPTION	R/P	PART NUMBER	QTY	REV. REF. CODE		PRD. DATE	MODELS	DESCRIPTION	R/P	PART NUMBER	QTY	REV. REF. CODE		
						FROM	UP TO							FROM	UP TO	
	13952	SUPPORT. VALVE ROCKER. NO.2														
8008-8309	2F..FJ40			13952-61012-	1	1										
8008-8410	3B..BJ42			13952-56010-	3	1	80									
	13953	SUPPORT. VALVE ROCKER. NO.3														
8008-8410	3B..BJ42			13953-56010-	1	1	80									

FIG.16-03 RADIATOR & WATER OUTLET

1-M3

GENUINE TOYOTA PARTS

(8110- 13B



MA 5867-D

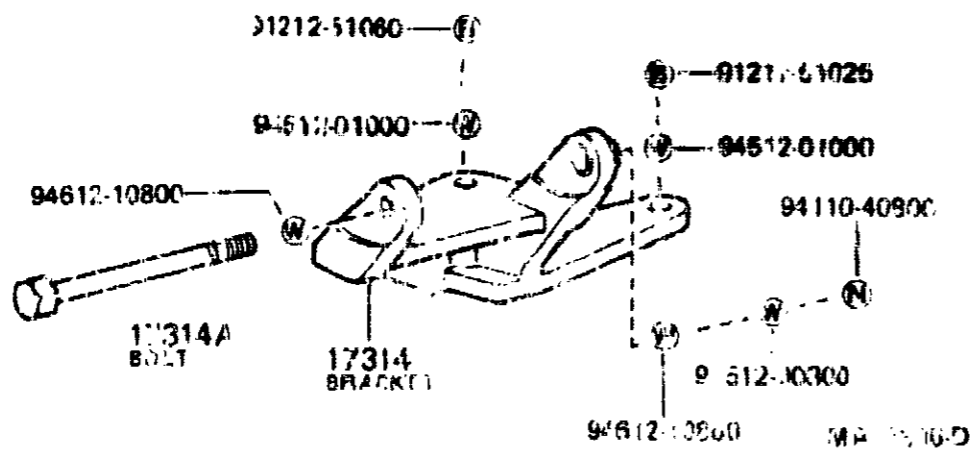
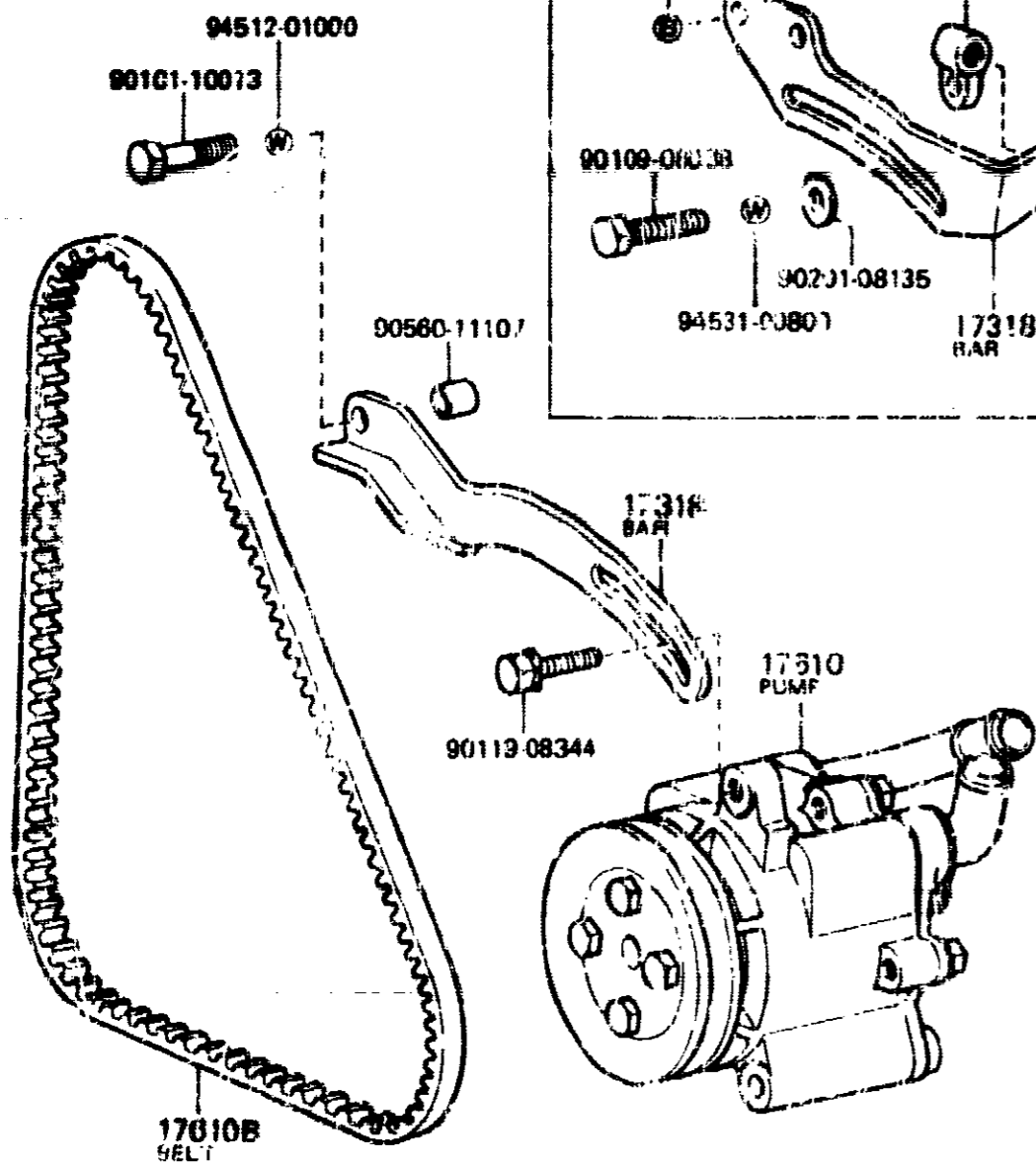
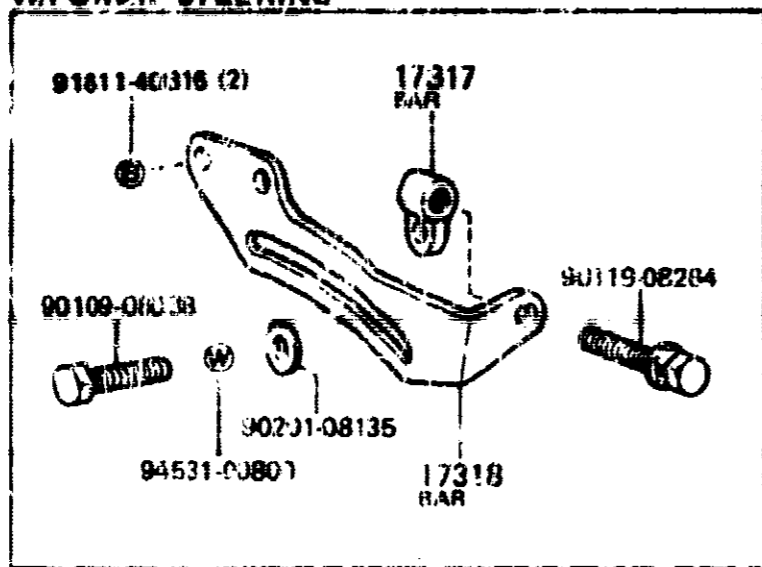
FIG.	MODELS	DESCRIPTION	PART NUMBER	QTY	REV. REF. CODE	
					FROM	UP TO
FIG. 16-03	RADIATOR & WATER OUTLET					
		1 16261   HOSE, WATER BY-PASS				
8008-8309	2F..FJ40		16261-60011-	1	1	
8008-8110	3B..BJ42		16261-56011- (16261-56012-	1	1	6
8110-8410	3B..BJ42		16261-56012-	1	7	80
		1 16261A   CLAMP OR SLIP, HOSE (FOR WATER BY-PASS HOSE)				
8008-8309	2F..FJ40		26112-10330-	2	1	
8008-8410	3B..BJ42		90044-00053-	2	1	80
		1 16331   OUTLET, WATER				
8008-8110	2F..FJ40..CND		16333-61100-	1	1	6
8008-8309	2F..FJ40..USA		16333-61110-	1	1	
8008-8110	3B..BJ42		16331-56020-	1	1	6
8110-8410	3B..BJ42		16331-56030-	1	7	80
		1 16331A   THERMOSTAT				
8008-8309	2F..FJ40		90916-03052-	1	1	
8008-8010	3B..BJ42	XWAX 88-10 0	90916-03045- (90916-03059-	1	1	
8010-8410	3B..BJ42	XWAX 88-10 0	90916-03059-	1	7	80
		1 16333   HOUSING, WATER OUTLET				
8008-8110	2F..FJ40..CND		16331-61041-	1	1	6
8008-8309	2F..FJ40..USA		16331-61032-	1	1	
8008-8110	3B..BJ42		16333-56040-	1	1	6
8110-8410	3B..BJ42		16333-56060-	1	7	80
		1 16341   GASKET, WATER OUTLET				
8008-8309	2F..FJ40		16341-61020-	1	1	
8008-8410	3B..BJ42		16341-56020-	1	1	80
		1 16343   GASKET, WATER OUTLET HOUSING				
8008-8309	2F..FJ40		16343-60010-	1	1	
8008-8410	3B..BJ42		16343-56020-	1	1	80

\* WAX O-O =  
WAX TYPE (Opening temperature: Fully open temperature)

ILLUST. NO. 10F2

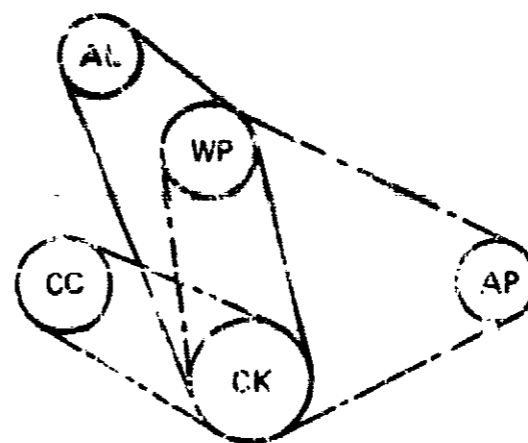
ILLUST. NO. 20F2

W/POWER STEERING



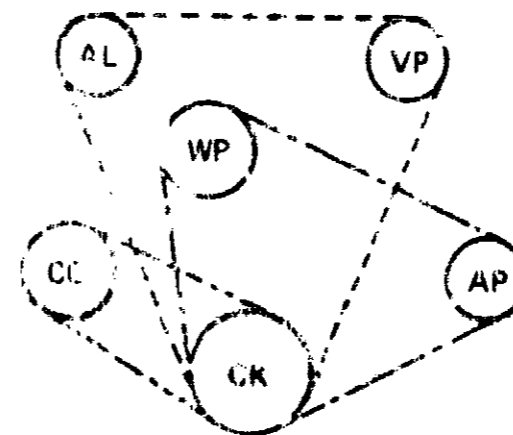
V-belt Application Chart

W/O PS



- AL : Alternator
- CC : Cooler Compressor
- WP : Water Pump
- CK : Crankshaft
- VP : Vane Pump
- AP : Air Pump

W/PS



	P.N.C.	FIG. No.
---	16301A	10-05
---	44310A	45-00
---	17610E	17-05
---	80310A	87-1

MA 118

FIG. 19-02

GENUINE TOYOTA PARTS

1-M5

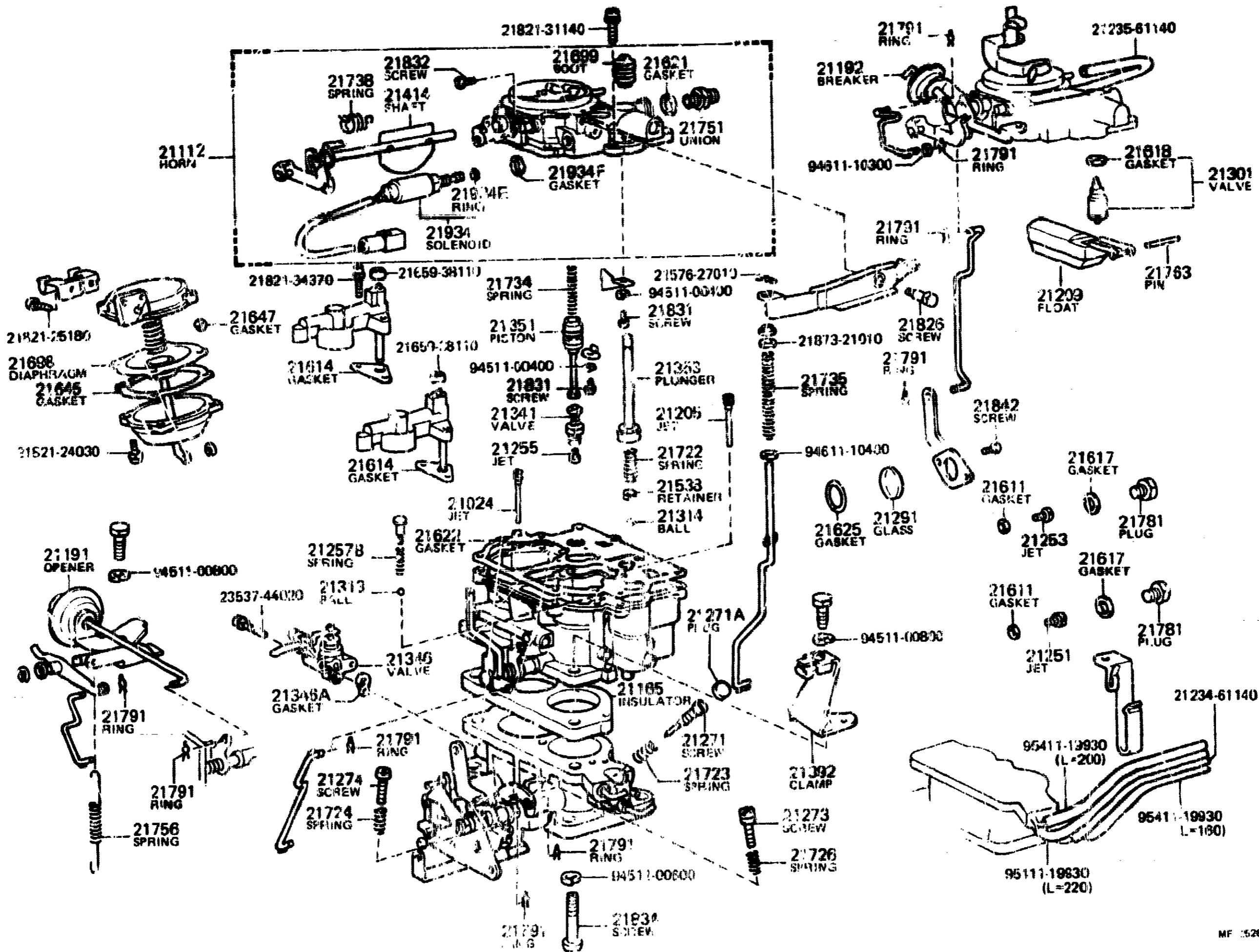
GENUINE TOYOTA PARTS

PROD. DATE	MODELS	DESCRIPTION	PART NUMBER	QTY	REV. REF. CODE		PROD. DATE	MODELS	DESCRIPTION	PART NUMBER	QTY	REV. REF. CODE	
					FROM	UP TO						FROM	UP TO
8008-8309	19220 2F..FJ40..USA	ADVANCER ASSY, VACUUM, DISTRIBUTOR CONTINUED	19220-61102-	1		1							
8008-8110	19242 2F..FJ40..CND	CLAMP, CORD	19242-61100-	1		6							
8008-8309	19242 2F..FJ40..USA	CLAMP, CORD	19242-61102-	1		1							
8008-8110	19242A 2F..FJ40..CND	CLAMP, CORD, NO. 2	19242-61091-	1		6							
8008-8110	19250 2F..FJ40..CND	GENERATOR ASSY, SIGNAL	19250-61100-	1		6							
8008-8309	19250 2F..FJ40..USA	GENERATOR ASSY, SIGNAL	19250-61102-	1		1							
8008-8309	19251 2F..FJ40..USA	HOUSING, POLE CONNECTOR	90C99-37005-	1		1							
8008-8110	19905 2F..FJ40..CND	CLAMP SUB-ASSY, DISTRIBUTOR	19905-40010-	1		6							

FIG. 21-03 CARBURETOR

1-M6

(8008-8309) 2F..USA



MF 2526-B



PROD. DATE	MODELS	DESCRIPTION	R/P	PART NUMBER	QTY	REV. REF. CODE	
						FROM	UP TO
8111-8410	CONTINUED 3B..BJ42	BELLOWS ASSY, PNEUMATIC		22680-48062-	1		80
8008-8410	3B..BJ42	NIPPLE SUB-ASSY, OVERFLOW (FOR PNEUMATIC BELLOWS)		22197-77140-	1	1	80
8008-8410	3B..BJ42	WASHER (FOR PNEUMATIC BELLOWS)		90201-08106-	2	1	80
8008-8410	3B..BJ42	COVER, PNEUMATIC BELLOWS		22686-48061-	1	1	80
8008-8410	3B..BJ42	BALL, SPEED CONTROL		90099-12010-	6	1	80
8008-3111	3B..BJ42	SLIDER (FOR SPEED CONTROL)		22692-56040-	1	1	
				22692-56041-	1		80
8008-8410	3B..BJ42	GUIDE, BALL		22693-77130-	1	1	80
8008-8410	3B..BJ42	BEARING SUB-ASSY		22694-77130-	1	1	80
8008-8410	3U..BJ42	SPRING, SPEED CONTROL		22449-48030-	1	1	80
8008-3111	3B..BJ42	ARM SUB-ASSY		22697-56040-	1	1	
				22697-56041-	1		80
8008-8410	3B..BJ42	SEAL, OIL (FOR NO.3 LEVER)		85613-31010-	1	1	80
8008-8111	3B..BJ42	PIN, SHIFTING		22698-77130-		1	
				22698-77131-	1		80

PROD. DATE	MODELS	DESCRIPTION	R/P	PART NUMBER	QTY	REV. REF. CODE	
						FROM	UP TO
8008-8410	3B..BJ42	BRACKET SUB-ASSY, ADJUSTING		22699-56130-	1	1	80
8008-8410	3B..BJ42	COVER, GOVERNOR		22703-77140-	1	1	80

## FIGURE NUMBER INDEX

LOCATION	FIG.No.	SUMMARY	LOCATION	FIG.No.	SUMMARY	LOCATION	FIG.No.	SUMMARY
		<b>BODY GROUP</b>						<b>ELECTRICAL GROUP</b>
3-A1	51-51	FRAME	3-B5	71-51	SEAT & SEAT TRACK	3-K6	81-01	HEADLAMP
3-C1	51-52	SUSPENSION CROSSMEMBER & UNDER COVER	3-E5	71-52	SEAT BELT	3-L6	81-02	FRONT TURN SIGNAL LAMP
3-D1	51-53	SPARE WHEEL CARRIER	3-F5	74-51	ARMREST & VISOR	3-M6	81-11	REAR COMBINATION LAMP
3-F1	52-51	CAB MOUNTING & BODY MOUNTING	3-G5	74-53	PROTECTOR PIPE, ROLL BAR & HANDRAIL	3-N7	81-13	REAR LICENSE PLATE LAMP
3-H1	52-52	FRONT BUMPER & BUMPER STAY	3-H5	74-54	BATTERY CARRIER	3-O7	81-14	REAR SIDE MARKER LAMP
3-I1	52-53	REAR BUMPER & BUMPER STAY	3-I5	74-55	CAUTION PLATE	3-P7	81-15	REFLEX REFLECTOR
3-J1	53-51	RADIATOR COWL	3-J5	74-56	ASH RECEPTACLE	3-Q7	81-21	INTERIOR LAMP
3-K1	53-53	HOOD & FRONT FENDER	3-K5	75-51	EMBLEM & NAME PLATE	3-R7	82-01	BATTERY & BATTERY CABLE
3-M1	53-54	HOOD LOCK & LINGE	3-L5	76-54	TOOL BOX & LICENSE PLATE BRACKET	3-S7	82-02	WIRING & CLAMP
3-A2	53-55	FRONT FENDER, APRON & DASH PANEL	3-M5	77-51	FUEL TANK & TUBE	3-T7	83-01	METER
3-C2	55-51	INSTRUMENT PANEL & GLOVE COMPARTMENT	3-N5	78-51	ACCELERATOR LINK	3-B8	83-02	INDICATOR
3-F2	55-52	FRONT VENTILATOR				3-D8	84-01	SWITCH & RELAY
3-G2	55-53	COWL PANEL & WINDSHIELD GLASS				3-I8	84-02	ELECTRONIC DIESEL INJECTION CONTROL SYSTEM
3-I2	58-51	FRONT FLOOR PANEL & FRONT FLOOR MEMBER				3-J8	85-01	WINDSHIELD WIPER
3-K2	58-52	REAR FLOOR PANEL & REAR FLOOR MEMBER				3-L8	85-02	WINDSHIELD WASHER
3-L2	59-51	FLOOR INSULATOR				3-B9	86-01	RADIO & TAPE PLAYER
3-M2	59-54	FLOOR MAT & SILENCER PAD				3-D9	86-02	SPEAKER
3-A3	55-55	CONSOLE BOX & BRACKET				3-E9	86-04	ANTENNA
3-B3	61-51	SIDE MEMBER				3-F9	87-11	HORN
3-E3	61-52	SIDE WINDOW				3-G9	87-01	MIRROR
3-G3	61-53	ROOF PANEL & BACK PANEL				3-H9	87-11	HEATING & AIR CONDITIONING - SET
						3-J9	87-12	HEATING & AIR CONDITIONING - HEATER UNIT & BLOWER

FIG.31-01 CLUTCH & RELEASE FORK

2-A1

(8008- 1BJ42

(8008-8309)FJ4C

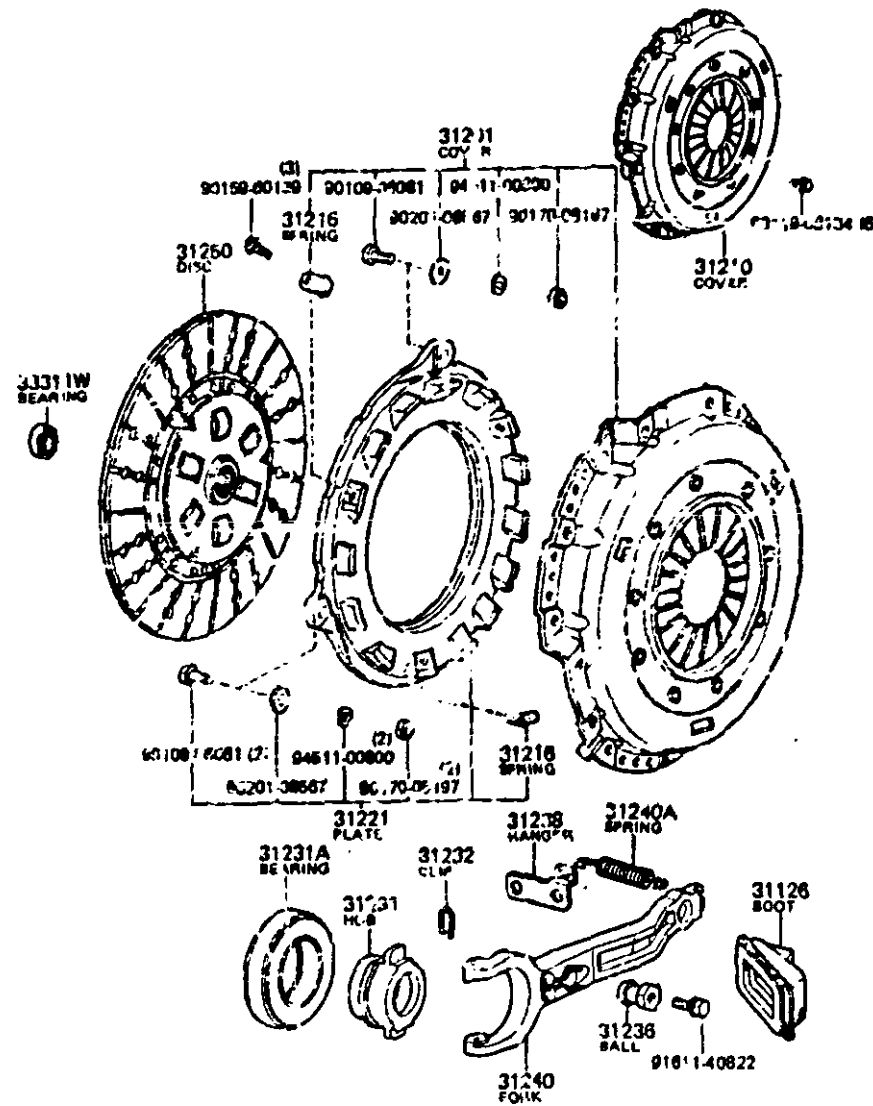
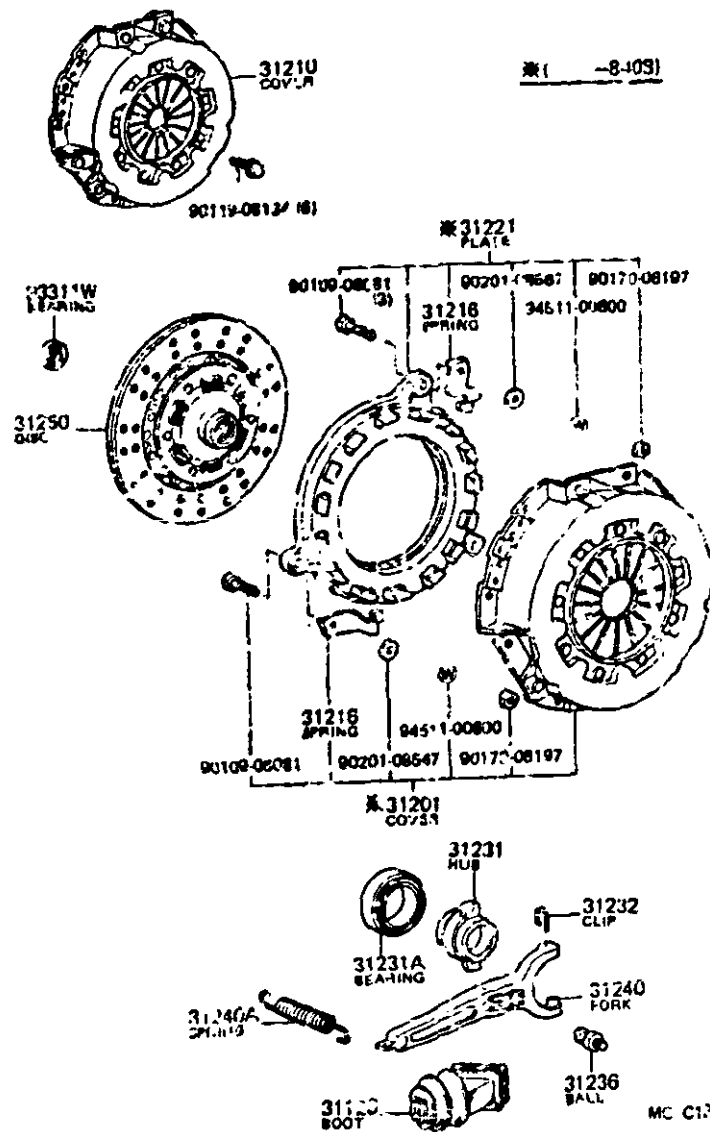
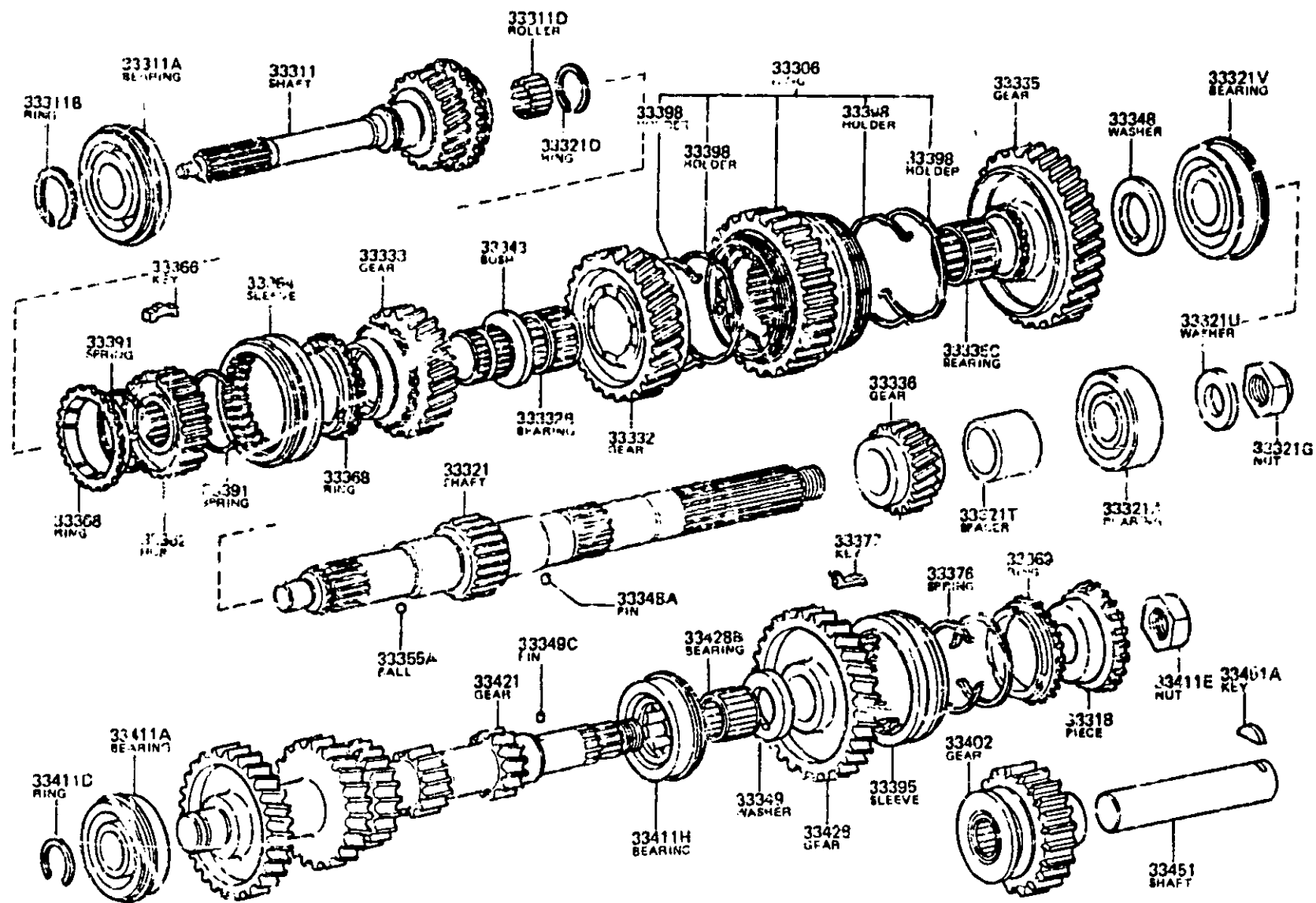


FIG. 33-05 TRANSMISSION GEAR (MTM)

2-A2

(3210- 15F



MC 9039





FIG.38-02

## GENUINE TOYOTA PARTS

2-A4

## GENUINE TOYOTA PARTS

PROD. DATE	MODELS	DESCRIPTION	PART NUMBER	REV. REF. CODE		PROD. DATE	MODELS	DESCRIPTION	PART NUMBER	REV. REF. CODE			
				FROM	UP TO					FROM	UP TO		
8008-8410	38340 BJ42, FJ40	WIRE ASSY, CHAIN	38340-60040-	1	1	80	8008-8410	38613B BJ42, FJ40	SPRING (FOR WINCH MOTOR)	28143-46012-	4	1	80
8008-8410	38600 BJ42	SWITCH, MAGNET, WINCH	38600-60020-	1	1	80	8008-8410	38613C BJ42, FJ40	BRUSH (FOR WINCH MOTOR)	28111-46011-	1	1	80
8008-8410	38601A BJ42	YOKE SUB-ASSY (FOR WINCH MOTOR)	38601-60020-	1	1	80	8008-8410	38614 BJ42, FJ40	COVER, COMMUTATOR (FOR WINCH MOTOR)	38614-60010-	1	1	80
8008-8410	38602A FJ40	FRAME SUB-ASSY, COMMUTATOR END (FOR WINCH MOTOR)	38602-60020-	1	1	80	8008-8410	38614A BJ42, FJ40	RING, D (FOR WINCH MOTOR)	90099-14023-	1	1	80
8008-8410	38603A BJ42	ARMATURE SUB-ASSY (FOR WINCH MOTOR)	38603-60020-	1	1	80	8008-8410	38616 BJ42, FJ40	DUCT, YOKE (FOR WINCH MOTOR)	38616-60010-	1	1	80
8008-8410	38603B BJ42, FJ40	BEARING (FOR WINCH MOTOR ARMATURE)	90099-10130-	1	1	80	8008-8410	38617A BJ42, FJ40	DUCT, COVER (FOR WINCH MOTOR)	38617-60010-	1	1	80
8008-8410	38610A BJ42	MOTOR ASSY, WINCH	38610-60020-	1	1	80	8008-8410	38621B BJ42, FJ40	COVER, MAGNET SWITCH (FOR WINCH MOTOR)	38621-60010-	1	1	80
8008-8410	38611B BJ42	SWITCH, MAGNET, NO.2 (FOR WINCH MOTOR)	38611-60020-	2	1	80	8008-8410	38622 BJ42, FJ40	COVER, CONNECTOR (FOR WINCH MOTOR)	38622-60010-	1	1	80
8008-8410	38612A BJ42, FJ40	FRAME, END (FOR WINCH MOTOR)	38612-60010-	1	1	80	8008-8410	38623 BJ42, FJ40	STOPPER (FOR WINCH MOTOR)	38623-60010-	2	1	80
8008-8410	38613A BJ42	BRUSH (FOR WINCH MOTOR)	38613-60020-	4	1	80	8008-8410	38625 BJ42, FJ40	BOLT, STUD (FOR WINCH MOTOR)	38625-60010-	1	1	80
8008-8410	38613B BJ42	BRUSH (FOR WINCH MOTOR)	38613-60020-	4	1	80	8008-8410	38626 BJ42, FJ40	BUSHING, STEPPED FEMALE (FOR WINCH MOTOR)	38626-60010-	1	1	80
8008-8410	38613C BJ42	BRUSH (FOR WINCH MOTOR)	38613-60020-	4	1	80	8008-8410	38627 BJ42, FJ40	BUSHING, STEPPED MALE (FOR WINCH MOTOR)	38627-60010-	1	1	80
8008-8410	38613D BJ42	BRUSH (FOR WINCH MOTOR)	38613-60020-	4	1	80	8008-8410	38627 BJ42, FJ40	BUSHING, STEPPED MALE (FOR WINCH MOTOR)	38627-60011-	1	1	80

FIG. 43-01

## GENUINE TOYOTA PARTS

2-A5

## GENUINE TOYOTA PARTS

PROD. DATE	MODELS	DESCRIPTION	PART NUMBER	QTY	REV. REF. CODE			PROD. DATE	MODELS	DESCRIPTION	PART NUMBER	QTY	REV. REF. CODE		
					FROM	UP TO							FROM	UP TO	
FIG-	43-01	FRONT AXLE HOUSING & DIFFERENTIAL													
		43110 HOUSING ASSEMBLY, FRONT AXLE, NO. 1													
8008-8410	BJ42		43110-60094-	1	1	80									
8008-8309	FJ40		43110-0122-	1	1										
		43110A PLUG SUB-ASSEMBLY, DRAIN													
8008-8410	BJ42, FJ40		90341-18057-	1	1	80									
		43110B GASKET, DRAIN													
8008-8410	BJ42, FJ40		12157-10010-	1	1	80									
		43110C PLUG (FOR FRONT AXLE HOUSING)													
8008-8410	BJ42, FJ40		90341-18046-	1	1	80									
		43110D GASKET (FOR FRONT AXLE HOUSING PLUG)													
8008-8410	BJ42, FJ40		12157-10010-	1	1	80									
		43110E PLUG, BREATHER (FOR FRONT AXLE HOUSING)													
8008-8410	BJ42, FJ40		90931-05021-	1	1	80									
		43411D SEAL, TYPE T OIL (FOR FRONT DRIVE SHAFT)													
8008-8410	BJ42, FJ40		90311-33185-	2	1	80									
		43600 CARRIER ASSEMBLY, FRONT AXLE													
8308-8410	BJ42	XAXC=K082, XFG=37:9	41110-60017- (41110-60018-)	1	5	80									
8008-8308	BJ42, FJ40, COND	XAXC=K082, XFG=37:9	41110-60016-	1	2										
8008-8309	FJ40	XAXC=K052, XFG=37:10	41110-60026-	1	1										
		43600A BOLT, STUD (FOR FRONT AXLE DIFFERENTIAL CARRIER SETTING)													
8008-8212	BJ42, FJ40	L=37, S=12 & 16	90116-10103-	8	1										
8008-8212	BJ42, FJ40	L=30, S=12 & 18	90116-10104-	2	1										
8212-8410	BJ42, FJ40	L=40, S=12, 16 & 18	90116-10074-	8	80										
8212-8410	BJ42, FJ40	L=53, S=12, 16 & 18	90116-10075-	2	80										
		43601 CARRIER SUB-ASSEMBLY, FRONT AXLE													
8008-8410	BJ42, FJ40		41101-60021-	1	1	80									
		43601A LOCK, FRONT AXLE DIFFERENTIAL ADJUST NUT													
8008-8410	BJ42, FJ40		41316-30010-	2	1	80									
		43601B BOLT, FRONT AXLE DIFFERENTIAL BEARING CAP													
8008-8410	BJ42, FJ40		41114-35010-	4	1	80									
		43611 GASKET, FRONT AXLE DIFFERENTIAL CARRIER													
8008-8410	BJ42, FJ40		42111-36010-	1	1	80									
		43621 CASE, FRONT AXLE DIFFERENTIAL													
8008-8410	BJ42, FJ40		41311-36010-	1	1	80									
		43631A BEARING, FRONT AXLE DIFFERENTIAL													
8008-8410	BJ42, FJ40		90308-45064-	2	1	80									
		43632 NUT, FRONT AXLE DIFFERENTIAL BEARING ADJUST													
8008-8410	BJ42, FJ40		41315-30010-	2	1	80									
		43633 GEAR, FRONT AXLE DIFFERENTIAL SIDE													
8008-8410	BJ42, FJ40		41331-35020-	2	1	80									
		43634 WASHER, FRONT AXLE DIFFERENTIAL SIDE BEARING THROUGH													
8008-8410	BJ42, FJ40	T=1.55-1.65	41361-60010-	2	1	80									
8008-8410	BJ42, FJ40	T=1.70-1.80	41361-60020-	2	1	80									
8008-8410	BJ42, FJ40	T=1.85-1.95	41361-60030-	2	1	80									
8008-8410	BJ42, FJ40	T=2.00-2.10	41361-60040-	2	1	80									
		43635 SHAFT, FRONT AXLE DIFFERENTIAL PINION													
8008-8410	BJ42, FJ40		41342-55010-	1	1	80									
		43635A PIN, FRONT AXLE DIFFERENTIAL PINION SHAFT													
8008-8410	BJ42, FJ40		41343-55010-	1	1	80									

\*AXC = Axle Code (Stated in TRAN / AXLE Column of Name Plate)

\*FGR = Final Gear Ratio

FIG. 45-02

## GE LINE TOYOTA PARTS

2-A6

## GENUINE TOYOTA PARTS

PRGO. DATE	MODELS	DESCRIPTION	PART NUMBER	QTY	REV. REF. CODE		PRGO. DATE	MODELS	DESCRIPTION	PART NUMBER	QTY	REV. REF. CODE	
					FROM	UP TO						FROM	UP TO
8008-8210	44304A CONTINUED FJ40	BU. H. BIMETAL FORMED (FOR PUMP HOUSING REAR)	90384-22109-	1	1	18	8008-8210	4432V CONTINUED FJ40	BOLT, VANE PUMP FRONT HOUS. AND REAR HOUSING SET	44329-30020-	1	1	18
8210-8-10	44305	C/S SUB-ASSY, RESERVOIR	44305-80010-	1	19	80	8210-8410	44329A RING, O (FOR VANE PUMP HOUSING SET BOLT)		96711-19007-	6	19	80
8008-8-107	BJ42 FJ40		44305-80010-	1	1		8008-8112	BJ42, FJ40		96710-01007- (96711-19007-)	6	1	
	44310	PUMP ASSY, VANE					8112-8210	FJ40		96711-19007-	6		18
8210-4-10	BJ47		44320-60080-	1	19	80		44330	VALVE ASSY, FLOW CONTROL				
8008-1108	FJ40, COND		44320-60030-	1	1	14	8210-8410	BJ42, FJ40	MARK A	44330-60010-	1	19	80
8108-1-110	FJ40, COND		44320-60031-	1	15	8	8210-8410	BJ42, FJ40	MARK B	44330-60020-	1	19	80
8008-8108	FJ40, USA		44320-60040-	1	1	14	8210-8410	BJ42, FJ40	MARK C	44330-60030-	1	19	80
8108-8309	FJ40, USA		44320-60041-	1	15		8210-8410	BJ42, FJ40	MARK D	44330-10040-	1	19	80
	4431CK	BASKET KIT, POWER STEERING PUMP					8210-8410	BJ42, FJ40	MARK E	44330-60050-	1	19	80
8210-8410	BJ42, FJ40		04446-30010-	1	19	80	8008-8210	FJ40	MARK A	44330-60010-	1	1	18
8001-8210	FJ40			1	1	18	8008-8210	FJ40	MARK B	44330-60020-	1	1	18
	44311	PULLEY, VANE PUMP					8008-8210	FJ40	MARK C	44330-60030-	1	1	18
8210-8410	BJ42		44311-60040-	1	19	80	8008-8210	FJ40	MARK D	44330-60030-	1	1	18
8008-8307	FJ40		44311-60010-	1	1		8008-8210	FJ40	MARK E	44330-60050-	1	1	18
	44311A	KEY, VANE PUMP PULLEY					8008-8210	FJ40	MARK F	44330-60060-	1	1	18
8210-8410	BJ42, FJ40		90280-05008-	1	16	80		44330A	SPRING, COMPRESSION (FOR FLOW CONTROL VALVE)				
8008-8210	FJ40			1	1	18	8210-8410	BJ42, FJ40		90501-12447-	1	19	80
	44325	RING, FIXED (FOR VANE PUMP)					8008-8210	FJ40			1	1	18
8210-8410	BJ42, FJ40	MARK 1	44325-30030-	1	19	80		44330C	RING, SNAP (FOR FLOW CONTROL VALVE)				
8210-8410	BJ42, FJ40	MARK 2	44325-30040-	1	19	80	8210-8410	BJ42, FJ40		96131-01700-	1	19	80
8008-8210	FJ40	MARK 1	44325-30030-	1	1	13	8008-8210	FJ40			1	1	18
8008-8210	FJ40	MARK 2	44325-30040-	1	1	18		44330	UNION, PRESSURE PORT				
	44329	BOLT, VANE PUMP FRONT HOUSING AND REAR HOUSING SET					8210-8410	BJ42, FJ40		44308-60010-	1	19	80
8210-8410	BJ42, FJ40	L=76.5	44329-30010-	5	19	80	8008-8210	FJ40			1	1	18
8210-8410	BJ42, FJ40	L=78.5	44329-30020-	1	19	80							
8008-8210	FJ40	L=76.5	44329-30010-	5	1	18							



FIG. 47-02

## GENUINE TOYOTA PARTS

2-A7

## GENUINE TOYOTA PARTS

PROD. DATE	MODELS	DESCRIPTION	PART NUMBER	QTY	REV. REF. CODE		PROD. DATE	MODELS	DESCRIPTION	PART NUMBER	QTY	REV. REF. CODE	
					FROM	UP TO						FROM	UP TO
	47231	BOLT, MASTER CYLINDER RESERVOIR SET											
8008-8410	BJ42, FJ40		47231-30010-	1	1	80							
	47232	WASHER, RESERVOIR SET BOLT											
8008-8410	BJ42, FJ40		47232-30010-	1	1	80							
	47234	TUBE, RESERVOIR											
8008-8410	BJ42, FJ40		47234-14010-	1	1	80							
	47236A	CLIP, TUBE (FOR RESERVOIR TUBE)											
8008-8410	BJ42, FJ40		90467-0001-	2	1	80							
	47264	CLEVIS, MASTER CYLINDER PUSH ROD											
8008-8410	BJ42, FJ40		47264-22010-	1	1	80							
	47265	BOOT, MASTER CYLINDER											
8008-8410	BJ42, FJ40		47265-20030-	1	1	80							
	47275	GASKET, BRAKE MASTER CYLINDER											
8008-8410	BJ42, FJ40		47275-22010-	1	1	80							
	47280	VALVE ASSY, BRAKE MASTER CYLINDER OUTLET											
8008-8410	BJ42, FJ40		47280-30030-	1	1	80							
	47290	VALVE ASSY, MASTER CYLINDER OUTLET (FOR REAR SIDE)											
8008-8410	BJ42, FJ40		47280-30030-	1	1	80							
	47299R	STRAINER, MASTER CYLINDER RESERVOIR, REAR											
8008-8204	BJ42, FJ40		47299-20010-	1	1								
8204-8410	BJ42, FJ40		47299-14010-	1		80							

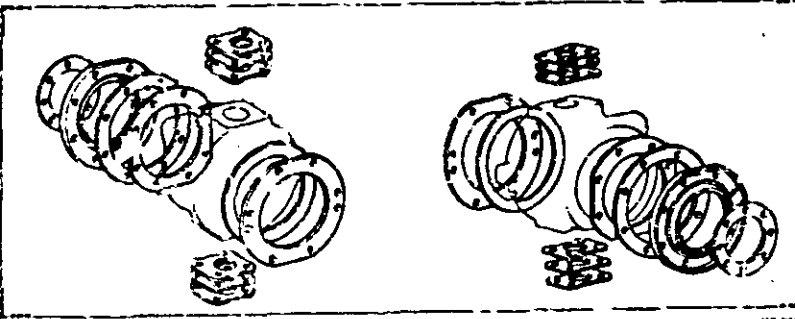
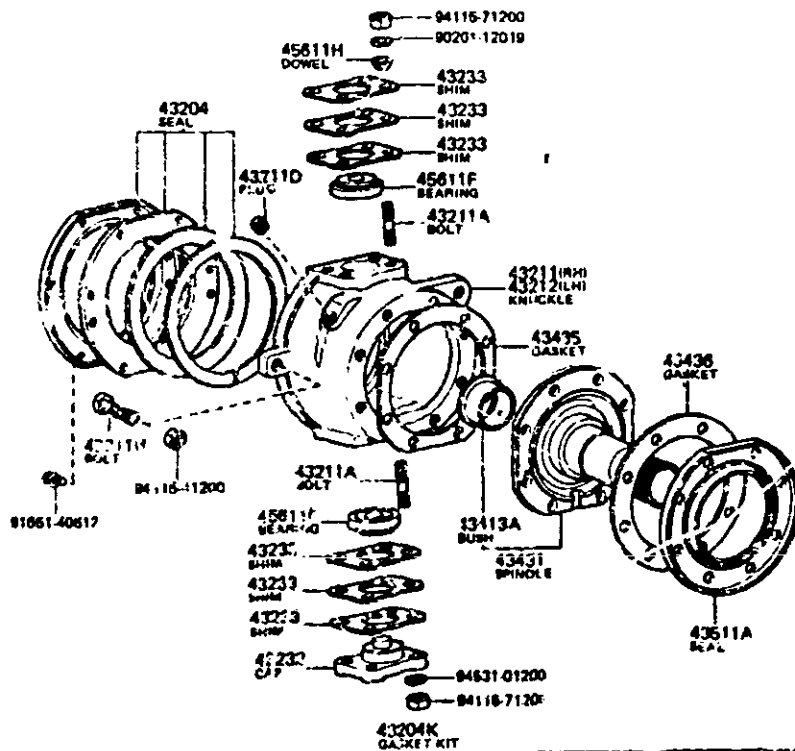
FIG.48-92 FRONT AXLE ARM & STEERING

KNUCKLE

2-A8

GENUINE TOYOTA PARTS

(8008- )



PROD. DATE	MODELS	DESCRIPTION	QTY	PART NUMBER	REV. NO.	FROM	UP TO
FIG.	46-92 FRONT AXLE ARM & STEERING KNUCKLE						
8008-8410	BJ42-FJ40	SEAL SUB-ASSY, STEERING KNUCKLE OIL	2	43204-60020-		1	80
8008-8410	BJ42-FJ40	GASKET KIT, FRONT AXLE OVERHAUL	1	04434-60012-		1	80
1008-8410	BJ42-FJ40	KNUCKLE, STEERING, RH	1	43211-60050-		1	80
1008-8410	BJ42-FJ40	BOLT, STUD (FOR STEERING SET)	16	90116-12007-		1	80
8008-8410	BJ42-FJ40	PLUG (FOR STEERING KNUCKLE)	2	90375-53020-		1	80
8008-8410	BJ42-FJ40	BOLT, ROUND HEXAGON	4	90106-12022-		1	80
8008-8410	BJ42-FJ40	KNUCKLE STEERING, LH	1	43212-60050-		1	80
8008-8410	BJ42-FJ40	CAP, STEERING KNUCKLE BEARING	2	43232-60021-		1	80
8008-8410	BJ42-FJ40	SHIM, STEERING KNUCKLE ADJUST, NO.1	33	43233-60011-		1	80
8008-8410	BJ42-FJ40	T=0.2	33	43234-60011-		1	80
8008-8410	BJ42-FJ40	T=0.5	33	43235-60010-		1	80
8008-8410	BJ42-FJ40	T=1.0	33	43236-60010-		1	80
8008-8410	BJ42-FJ40	T=0.1	33	43237-60030-		1	80
8109-8410	BJ42-FJ40	T=0.3	33	43237-60030-		1	80
8008-8410	BJ42-FJ40	BUSH, SOLID (FOR DRIVE SHAFT)	2	90999-70067-		1	80
8008-8410	BJ42-FJ40	SPINDLE, STEERING KNUCKLE	2	43401-60012-		1	80

A14

04044 - 12204

CONTENTS  
(PART NUMBER - LOCATION)

04044 - 12204 ----- A14  
 12251 - 19115 ----- B14  
 19121 - 27700 ----- C14  
 28011 - 38192 ----- D14  
 38193 - 45700 ----- E14  
 45721 - 56301 ----- F14  
 56301 - 74559 ----- G14  
 74559 - 87104 ----- H14  
 87104 - 90301 ----- I14  
 90301 - 90562 ----- J14  
 90562 - 99915 ----- K14

PART NUMBER	LOCATION	PART NUMBER	LOCATION	PART NUMBER	LOCATION
04044-60040-	2-H5	09155-4401C-	1-J1	11312-56031-	1-M1
04111-58011-	1-E1	09173-00020-	1-B1	-61010-	1-M1
-58012-	1-E1	09183-00030-	1-B1	11328-56030-	1-A2
-58013-	1-E1	-60010-	1-B1	-60010-	1-A2
-58050-	1-E1	11011-56010-	1-Q2	11345-48010-	1-A2
-61040-	1-E1	11012-56010-	1-Q2	11355-56040-	1-A2
04112-58010-	1-I1	11013-56010-	1-Q2	11369-40011-	1-A2
-53011-	1-E1	1101-58012-	1-Q1	11381-56030-	1-A2
-58040-	1-E1	-58013-	1-Q1	-56031-	1-A2
-61040-	1-F1	-59095-	1-Q1	11383-56030-	1-A2
04161-56050-	1-I5	-59096-	1-Q1	-56031-	1-A2
-50060-	1-I3	-61021-	1-Q1	11391-56020-	1-A2
04162-61020-	1-I3	-61040-	1-Q1	-60010-	1-A2
04211-61140-	1-L6	11106-58010-	1-E7	11400-58010-	1-D1
-61170-	1-L6	11115-58010-	1-Q1	-58011-	1-D1
04212-61030-	1-L6	-58011-	1-Q1	-58012-	1-D1
04311-60030-	2-E1	-58012-	1-Q1	-58043-	1-D1
04313-40021-	2-Q1	-58040-	1-Q1	-61011-	1-D1
-50020-	2-Q1	-61010-	1-Q1	11401-59075-	1-J1
-60040-	2-G1	11122-56020-	1-Q1	-59115-	1-J1
04317-60020-	1-A2	-56021-	1-Q1	-59275-	1-J1
04337-60040-	2-I1	-61011-	1-Q1	-59276-	1-J1
-60041-	2-I1	11123-61011-	1-Q1	-59305-	1-J1
-60040-	2-I1	11126-61011-	1-Q1	-69055-	1-J1
04371-56021-	2-Q3	11127-61011-	1-Q1	11452-56040-	1-K1
-56030-	2-Q3	11131-60010-	1-Q1	-56050-	1-K1
04383-60030-	2-H3	11132-60030-	1-Q1	-60013-	1-K1
04384-60010-	2-H3	11135-60010-	1-Q1	11459-56040-	1-K1
-60105-	2-H3	11136-60030-	1-H1	11461-58010-	1-K1
-60101-	2-H3	11176-56010-	1-E7	-58020-	1-K1
04434-60012-	2-A8	11177-56010-	1-E7	11473-58010-	1-K1
04443-60140-	2-C7	11201-67045-	1-H1	11476-58010-	1-K1
04445-35040-	2-I5	11203-56030-	1-J1	11701-58010-01	1-Q2
04446-30010-	2-A6	-56040-	1-J1	-56010-02	1-Q2
04453-60020-	2-H6	-61011-	1-J1	11702-56010-	1-Q2
-60021-	2-H6	11211-56031-	1-H1	-60013-	1-Q2
04455-35010-	2-I5	-59045-	1-H1	11703-60013-	1-Q2
04474-60010-	2-H7	11213-56011-	1-H1	11704-56010-	1-Q2
04476-60033-	2-H7	-56012-	1-H1	-56020-	1-Q2
04479-30030-	2-E7	-61011-	1-H1	-60013-	1-Q2
04481-60020-	2-D8	11253-56010-	1-J1	11705-56010-	1-Q2
-60010-	2-D8	-60010-	1-J1	-56020-	1-Q2
04482-60040-	2-D8	11293-58010-	1-H5	-60013-	1-Q2
-60040-	2-D8	-61011-	1-H5	11707-56010-	1-Q2
04491-60010-	2-E7	11294-56020-	1-H5	-56020-	1-Q2
04493-60070-	2-M6	11295-46010-	1-H1	11802-56011-	1-K2
04495-60010-	2-Q7	11298-61021-	1-H5	-56020-	1-K2
04881-30030-	3-116		3-15	-60011-	1-K2
09101-60112-	1-A1	-61022-	1-H5	11804-60021-	1-K2
-60122-	1-A1	-61023-	1-H5	11805-60021-	1-K2
-60230-	1-A1	-61031-	1-H5	12101-56060-	1-K1
-60231-	1-A1	-59145-	1-H5	-61010-	1-K1
-60232-	1-A1	-61011-	1-H5	-61011-	1-K1
-60240-	1-A1	-61032-	1-H5	12151-56030-	1-K1
-60241-	1-A1	-61033-	1-H5	-60021-	1-K1
-60242-	1-A1	-61034-	1-H5	11157-10010-	2-A5
09110-60010-	1-A1	11301-56030-	1-H1		2-F4
-60040-	1-A1	-56031-	1-H1		2-K1
09113-60010-	1-A1	11302-56030-	1-H1		2-K3
-60040-	1-A1	-61020-	1-H1		2-L2
09120-60050-	1-A1	11311-61010-	1-H1	12180-13010-	1-H1
09130-00030-	1-A1	11312-56030-	1-H1	-70014-	1-H1
09140-27010-	1-B1			12204-61010-	1-E2
09150-60010-	1-B1				

NOTICE

A15

REVISION REFERENCE CODE LIST

FRAME NUMBER AND VEHICLE IDENTIFICATION NUMBER:

1. FRAME NUMBER FJ40-123456

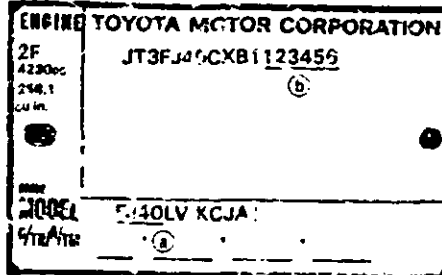
FRAME NUMBER IS GIVEN ON THE DASH COWL IN THE ENGINE ROOM. FUNCTION IN TOYOTA PARTS CATALOG IS LISTED IN THE REVISION REFERENCE CODE LIST TO IDENTIFY

REV. REF. CODE	ENGINE NO. OR FRAME NO.
1	FJ40-123456

ENGINEERING CHANGE PERIOD AS BEFORE. SO, IN LOCATING PARTS CATALOG, TAKE A LOOK AT FRAME NUMBER ON CORRESPONDING VEHICLE.

2. NAME PLATE

NAME PLATE IS ATTACHED TO THE DASH COWL IN THE ENGINE ROOM. MODEL COLUMN



INDICATES FULL MODEL CODE. SO, FOR MODEL INFORMATION, REFER TO THE NAME PLATE AS BEFORE.

PROCEDURE TO DETERMINE FRAME NUMBER FROM NAME PLATE IS:

(a) + (b) = FJ40-123456

3. VEHICLE IDENTIFICATION NUMBER JT3FJ40CXB1123456

VEHICLE IDENTIFICATION NUMBER IS GIVEN TO VIN PLATE ON LEFT HAND OF DASH BOARD. CERTIFICATION REGULATION PLATE ON LEFT DOOR PILLAR, AND NAME PLATE.

NOTICE

FRAME NUMBERING IS STARTED FROM DIFFERENT STARTING FRAME NUMBER PER EACH ASSEMBLY LINE.

WHEN REFERRING TO STARTING FRAME NUMBER ON REVISION REFERENCE CODE LIST, BEAR FOLLOWING MATTER IN YOUR MIND.

Starting Frame Number Per Each Assembly Line.

Assembly Line / Applicable Model	Toyota Motor / Honsys Plant (A11)
BJ42-	00001-
FJ40-	30001-

LAND CRUISER 456G (U.S.A.)

REV. REF. CODE	ENGINE NO. OR FRAME NO.	REV. REF. CODE	ENGINE NO. OR FRAME NO.	REV. REF. CODE	ENGINE NO. OR FRAME NO.
1	FJ40-327526	33	3B-502601		
	BJ42-000001	34	3B-502602		
6	BJ42-002349	35	BJ42-910095		
	FJ40-347846	36	BJ42-915096		
7	BJ42-002350	38	BJ42-075768		
	FJ40-347847		FJ40-080307		
8	BJ42-001668	39	BJ42-095769		
9	BJ42-001669		FJ40-0810308		
10	FJ40-340210	40	BJ42-091840		
11	FJ40-340211		FJ40-0352027		
12	FJ40-345539	41	BJ42-0914841		
15	FJ40-345540		FJ40-0362028		
16	BJ42-002017	46	FJ40-3364069		
	FJ40-345318	56	BJ42-0914650		
17	BJ42-012053	57	BJ42-0916631		
	FJ40-314389	80	BJ42-019999		
18	BJ42-004357	63	BJ42-0007729		
	FJ40-358792	67	BJ42-01007730		
19	BJ42-004358	86	BJ42-0917452		
	FJ40-355193	85	BJ42-0917483		
20	2F-636115	94	3B-0671979		
21	2F-636116	95	3B-0412800		
22	BJ42-003576				
	FJ40-354909				
23	BJ42-003577				
	FJ40-354990				
24	FJ40-356612				
25	FJ40-356613				
26	2F-659319				
27	2F-659320				
28	BJ42-004242				
	FJ40-357916				
29	BJ42-004243				
	FJ40-357917				

**GUIDE TO CONTENTS**



- 1. MODELS COVERED & CHARACTERISTICS ..... C 16, D 16 (included in each fiche)
- 2. MARK & ABBREVIATION ..... B 16, C 16 (included in each fiche)
- 3. INDEX
  - ILLUSTRATED INDEX ..... D 18 thru K 10 (included in each fiche)
  - FIGURE NUMBER INDEX ..... L 16, M 16 (included in each fiche)
- 4. ILLUSTRATIONS & TEXT ..... From 1-A1 (included in each fiche)

The contents (illustrations & text) have been divided

into groups by function in the following sequence:

- Engine
- Fuel
- Power train - Chassis
- Body
- Electrical

**5. APPENDICES**

- PART NAME  LOCATION LIST ..... A 12 thru H 13. (included in the fiche No. 3 of 3)
- PART NUMBER  LOCATION LIST ..... A 14 thru K 14 (included in each fiche)
- REVISION REFERENCE CODE LIST ..... A 1E (included in each fiche)
- PRODUCTION FRAME NUMBER  
REFERENCE LIST ..... B 15. (included in each fiche)

Note : SST (Special Service Tools) are not included in this parts catalog.

For related part number information can be noted in SST List, Service Bulletin and Repair Manual.

FIG. 31-01

## GENUINE TOYOTA PARTS

2-B1

## GENUINE TOYOTA PARTS

PROD. DATE	MODELS	DESCRIPTION	PART NUMBER	QTY	REV. REF. CODE FROM/UP TO	PROD. DATE	MODELS	DESCRIPTION	PART NUMBER	REV. REF. CODE	
										PAGE	UP TO
FIG.	31-01	CLUTCH & RELEASE FORK									
	31126	BOOT, CLUTCH RELEASE FORK									
8008-8408	BJ42		31126-36000-	1	AC	8202-8410	BJ42	BEARING, BALL (FOR CLUTCH RELEASE HUB) CONTINUED	90363-45002-	1	77
8008-8309	FJ40		31126-60021-	1		8008-8106	FJ40		90363-52086- (90363-57001-	1	1
	31201	COVER SUB-ASSY, CLUTCH				8106-8309	FJ40		90363-52001-	1	
8008-8105	BJ42		31201-39115-	1	5						
8008-8408	BJ42		31201-39097- (31210-36072-	1	9	3008-8410	BJ42, FJ40	CLIP OR SPRING, RELEASE BEARING HUB	31252-60020-	2	80
8008-8101	FJ40		31201-69020- (31201-69027-	1							
8101-8309	FJ40		31201-69070- (31210-60000-	1		2008-8410	BJ42	BALL, RELEASE FORK	31236-60020-	4	80
	31210	COVER ASSY, CLUTCH				8008-8309	FJ40		31236-60020-	1	1
8008-8105	BJ42		31210-36090- (31210-36100-	1	6						
8105-8410	BJ42		31210-36072-	1	9	8008-8309	FJ40	HANGER, RELEASE FORK RETRACTING SPRING	31237-60020-	1	
8008-8101	FJ40		31210-60341- (31210-60042-	1	1						
8101-8309	FJ40		31210-60042- (31210-60070-	1							
	31216	SPRING, CLUTCH RETRACTING									
8008-8408	BJ42		31216-36010-	3	5	8008-8410	BJ42		90506-16297-	1	80
8008-8309	FJ40		31216-60010-	3	1	8008-8309	FJ40		90506-16475-	1	1
	31221	PLATE, CLUTCH PRESSURE									
8008-8105	BJ42		31221-39125-	1	8	8008-8110	BJ42		31250-60040- (31250-36113-	1	6
8008-8408	BJ42		31221-39085-	1	9	8110-8405	BJ42		31250-36113- (31250-60090-	1	7
8008-8309	FJ40		31221-69025-	1		8008-8410	BJ42		31250-60090-	1	80
	31231	HUB, CLUTCH RELEASE BEARING				8008-8309	FJ40		31250-60020- (31250-60020-	1	1
8008-8410	BJ42		31231-60060-	1	80						
8008-8309	FJ40		31231-60040-	1	1						
	31251A	BEARING, BALL (FOR CLUTCH RELEASE HUB)									
8008-8202	BJ42		90363-45001- (90363-45002-	1	1	8008-8410	BJ42		90363-12002-	1	80
						8008-8309	FJ40		90363-15004-	1	1



FIG. 36-10

## GENUINE TOYOTA PARTS

2-B3

## GENUINE TOYOTA PARTS

PROC. DATE	MODELS	DESCRIPTION	P	PART NUMBER	QTY	REV. REF. CODE		PROC. DATE	MODELS	DESCRIPTION	P	PART NUMBER	QTY	REV. REF. CODE	
						FROM	UP TO							FROM	UP TO
FIG.	36-10	TRANSFER GEAR													
	33481P	GEAR, SPEEDOMETER DRIVE (FOR TRANSFER)							36213A	BALL (FOR TRANSFER INPUT GEAR STOPPER)					
8008-8410	BJ42, FJ40			33481-60060-	1	1	80	8008-8210	BJ42, FJ40			90360-06004-	1	1	18
	33481R	WASHER, PLATE (FOR SPEEDOMETER DRIVE GEAR)							36215	GEAR, POWER TAKE-OFF DRIVE					
8210-8410	BJ42, FJ40			90201-35002-	1	19	80	8210-8410	BJ42			36215-60030-	1	19	80
	36119A	RECEIVER, TRANSFER OIL (FOR TRANSFER IDLER GEAR)							36221	GEAR, TRANSFER IDLER					
8210-8410	BJ42, FJ40			36119-60020-	1	19	80	8210-8410	BJ42			36221-60041-	1	19	80
	36203	GEAR SUB-ASSY, TRANSFER HIGH SPEED OUTPUT						8008-8210	BJ42, FJ40			36221-60053- (36221-60051-	1	1	18
8008-8210	BJ42, FJ40			36203-60020- (36203-60021-	1	1	18	8210-8309	FJ40			36221-60051-	1	19	
8210-8410	BJ42, FJ40			36203-60021-	1	19	80		36221B	BEARING (FOR TRANSFER IDLER GEAR)					
	36203A	BUSH, SOLID (FOR TRANSFER HIGH SPEED OUTPUT GEAR)						8008-8410	BJ42, FJ40			90364-34006-	2	1	80
8008-8210	BJ42, FJ40			90999-73089-	1	1	18		36222	WASHER, TRANSFER IDLER GEAR SIDE THRUST					
	36204	GEAR SUB-ASSY, TRANSFER LOW SPEED OUTPUT						8008-8410	BJ42, FJ40			36222-60010-	2	1	80
8210-8410	BJ42			36204-60031-	1	19	80		36225	SHAFT, TRANSFER IDLER GEAR					
8008-8210	BJ42, FJ40			36204-60040- (36204-60041-	1	1	18	8008-8410	BJ42, FJ40			36225-60030-	1	1	80
8210-8309	FJ40			36204-60041-	1	19			36223A	RING, D (FOR TRANSFER IDLER SHAFT)					
	36204A	BUSH, SOLID (FOR TRANSFER LOW SPEED OUTPUT GEAR)						8008-8410	BJ42, FJ40			90301-27003-	1	1	80
8008-8210	BJ42, FJ40			90999-73089-	1	1	18		36231	SHAFT, TRANSFER OUTPUT					
	36212	GEAR, TRANSFER INPUT						8008-8410	BJ42, FJ40			36231-60021-	1	1	80
8008-8210	BJ42, FJ40			36212-60040-	1	1	18		36231A	SPACER (FOR TRANSFER OUTPUT SHAFT)					
8210-8410	BJ42, FJ40			36212-60041-	1	19	80	8008-8302	BJ42, FJ40			90560-35005- (90560-35008- (90201-35002-	1	1	
	36212A	BEARING, RADIAL BALL (FOR TRANSFER INPUT GEAR)						8302-8410	BJ42, FJ40			90560-35008-	1		80
8008-8410	BJ42, FJ40			90363-35013-	1	1	80		36231B	SHIM (FOR TRANSFER OUTPUT SHAFT)					
	36213	STOPPER, TRANSFER INPUT GEAR						8008-8410	BJ42, FJ40	T=1.15		90564-70001-	2	1	80
8008-8210	BJ42, FJ40			36213-60020-	1	1	18	8008-8410	BJ42, FJ40	T=0.40		90564-70002-	2	1	80
								8008-8410	BJ42, FJ40	T=0.50		90564-70003-	2	1	80
								8008-8410	BJ42, FJ40	T=0.60		90564-70004-	2	1	80



FIG-38-02

## GENUINE TOYOTA PARTS

2-B4

## GENUINE TOYOTA PARTS

PROD. DATE	MODELS	DESCRIPTION	P ART N UM BER	QTY	REF. CODE		PROD. DATE	MODELS	DESCRIPTION	P ART N UM BER	QTY	REF. CODE	
					FROM	UP TO						FROM	UP TO
		38628   GROMMET (FOR WINCH MOTOR)											
8008-8410	BJ42, J40		38628-60010-	1	1	80							
		38629   WIRE (FOR WINCH MOTOR)											
8008-8410	BJ42, FJ40		38629-60010-	1	1	80							
		38640   SWITCH ASSY, WINCH CONTROL											
8008-8410	BJ42		38640-60020-	1	1	80							
8008-8309	FJ40		38640-60010-	1	1								
		38640A   BULB (FOR WINCH CONTROL SWITCH)											
8008-8410	BJ42	1.4W 24V	90981-16022-	2	1	80							
8008-8309	FJ40	1.4W 12V	90981-11024-	2	1								
		38641   GASKET (FOR WINCH CONTROL SWITCH)											
8008-8410	BJ42, FJ40		38641-60010-	1	1	80							
		38642   SCREW (FOR WINCH CONTROL SWITCH)											
8008-8410	BJ42, FJ40		38642-40010-	6	1	80							
		38659   COVER, WINCH CONTROL SWITCH											
8008-8410	BJ42, FJ40		38659-60010-	1	1	80							

FIG. 43-01

## GENUINE TOYOTA PARTS

2-B5

## GENUINE TOYOTA PARTS

PROD. DATE	MODELS	DESCRIPTION	PART NUMBER	QTY	REV. REF. CODE		PROD. DATE	MODELS	DESCRIPTION	PART NUMBER	QTY	REV. REF. CODE	
					FROM	UP TO						FROM	UP TO
8008-8410	43636 BJ42, FJ40	PINION, FRONT AXLE DIFFERENTIAL	41341-55012-	2	1	80	8008-8410	43640C BJ42, FJ40	SPACER OR WASHER, FRONT AXLE DRIVE PINION THRU	90560-30184-	1	1	80
8008-8410	43636A BJ42, FJ40	WASHER, FRONT AXLE DIFFERENTIAL PINION THRUST	41351-35011-	2	1	80	8008-8410	BJ42, FJ40	T=2.74-2.76	90560-30185-	1	1	80
8008-8410	43637 BJ42	FLANGE, FRONT AXLE DRIVE PINION, W/DEFLECTOR	41204-60030-	1	83	82	8008-8410	BJ42, FJ40	T=2.77-2.79	90560-30185-	1	1	80
8008-8308	BJ42, FJ40		41204-60010-	1	1	82	8008-8410	BJ42, FJ40	T=2.80-2.82	90560-30186-	1	1	80
8408-8410	43637A BJ42	DEFLECTOR, DUST (FOR FRONT AXLE)	41252-35010-	1		80	8008-8410	BJ42, FJ40	T=2.83-2.85	90560-30187-	1	1	80
8008-8408	BJ42, FJ40		37341-30010-	1	1		8008-8410	BJ42, FJ40	T=2.86-2.88	90560-30188-	1	1	80
8008-8410	43637B BJ42, FJ40	WASHER, PLATE (FOR FRONT AXLE DRIVE PINION)	90201-20005-	1	1	80	8008-8410	BJ42, FJ40	T=2.89-2.91	90560-30190-	1	1	80
8008-8410	43637C BJ42, FJ40	NUT, CASTLE (FOR FRONT AXLE DRIVE PINION)	10179-20001-	1	1	80	8008-8410	BJ42, FJ40	T=2.92-2.94	90560-30191-	1	1	80
8008-8410	43640 BJ42, FJ40, CND	FINAL GEAR SET, FRONT AXLE DIFFERENTIAL	41201-69105- (41201-69166-)	1	1	80	8008-8410	BJ42, FJ40	T=2.95-2.97	90560-30192-	1	1	80
8008-8309	FJ40	XAXC=K052, XFG=37:10 (41201-69095- (41201-69156-)	41201-69095- (41201-69156-)	1	1		8008-8410	BJ42, FJ40	T=2.98-3.00	90560-30199-	1	1	80
8008-8101	43640A BJ42, FJ40	BEARING, FRONT AXLE DRIVE PINION, FRONT	97619-30308- (90366-40004-)	1	1		8008-8410	43640D BJ42, FJ40	SHIM, FRONT AXLE DRIVE PINION SPACER FRONT ADJ	90564-30035-	4	1	80
8101-8410	BJ42, FJ40		90366-40004-	1		80	8008-8101	43640E BJ42, FJ40	BEARING, FRONT AXLE DRIVE PINION, REAR	97619-30306-	1	1	
8008-8210	43640F BJ42, FJ40	SLINGER, FRONT AXLE DRIVE PINION OIL	41214-30010- (41214-40010-)	1	1		8101-8410	BJ42, FJ40		90366-30011-	1		80
8210-8410	BJ42, FJ40		41214-40010-	1		80	8008-8410	43640G BJ42, FJ40	SEAL, TYPE T OIL (FOR FRONT AXLE DIFFERENTIAL CARRIER)	90311-38134-	1	1	80
8008-8410	43640B BJ42, FJ40	SHIM, FRONT AXLE DRIVE PINION SPACER REAR ADJ	90564-68001-	2	1	80	8008-8410	43640H BJ42, FJ40	BOLT, RING GEAR SET	41226-35010-	2	1	80
8008-8410	BJ42, FJ40	T=0.25	90564-68002-	2	1	80							
8008-8410	BJ42, FJ40	T=0.30	90564-68003-	2	1	80							
8008-8410	BJ42, FJ40	T=0.35	90564-68004-	2	1	80							
8008-8410	BJ42, FJ40	T=0.40	90564-68005-	2	1	80							
8008-8410	BJ42, FJ40	T=0.45											

\*AXC=Axle Code (Stated in TRANS/AXLE Column of Name Plate)

\*FGR=Final Gear Ratio

FIG. 45-02

## GENUINE TOYOTA PARTS

2-B6

## GENUINE TOYOTA PARTS

PROD. DATE	MODELS	DESCRIPTION	PART NUMBER	QTY	REV. REF. CODE		PROD. DATE	MODELS	DESCRIPTION	PART NUMBER	QTY	REV. REF. CODE	
					FROM	UP TO						FROM	UP TO
8210-8410	44338B BJ42, FJ40	SEAT, UNION (FOR PRESSURE PORT UNION)	90410-06030-	1	19	80	8008-8210	44345A CONTINUED FJ40	SPRING, COMPRESSION (FOR VANE PUMP SLIPPER)	90501-06445-	24	1	18
8008-8210	FJ40			1	1	18		44346 FJ40	PLATE, SNAP RING LOCK	44346-30020-	1	1	
8210-8410	44341 BJ42, FJ40	PLATE, SIDE, FRONT	44341-30020-	1	19	80	8008-8202	44362 FJ40	RESERVOIR, OIL (FOR VANE PUMP)	44306-60060-	1	19	80
8008-8210	FJ40			1	1	18	8210-8410	BJ42		44306-60030-	1	1	14
8210-8410	44342 BJ42, FJ40	PLATE, SIDE, REAR	44341-30020-	1	19	80	8008-8108	FJ40..CND		44306-60031-	1	15	6
8008-8210	FJ40			1	1	18	8108-8110	FJ40..CND		44306-60040-	1	1	14
8210-8410	44343 BJ42, FJ40	SEAT, FLOW CONTROL SPRING	44343-12010-	1	19	80	8008-8108	FJ40..USA		44306-60041-	1	15	
8008-8202	FJ40		44343-30020-	1	1		8108-8309	FJ40..USA					
8202-8210	FJ40		44343-12010-	1		18		44362A BJ42, FJ40	RING, O (FOR VANE PUMP OIL RESERVOIR)	96711-19013-	1	19	80
8210-8410	44343A BJ42, FJ40	RING, O (FOR FLOW CONTROL SPRING FEAT)	96711-19014-	1	19	80	8008-8112	FJ40		96710-01013- (96711-19013- )	1	1	
8008-8112	FJ40		96710-01014-	1	1		8112-8210	FJ40		96711-19013-	1		18
8112-8210	FJ40		96711-19014-	1		18		44372 BJ42, FJ40	PLUG, TIGHT POWER STEERING PUMP	44372-22010-	1	19	80
8210-8410	44344 BJ42, FJ40	SEAT, SPRING (FOR VANE PUMP)	44344-30011-	6	19	80	8008-8210	FJ40			1	1	18
8008-8210	FJ40			6	1	18		44372A BJ42, FJ40	RING, O (FOR TIGHT POWER STEERING PUMP PLUG)	90301-25135-	1	19	80
8210-8410	44345 BJ42, FJ40	SLIPPER, VANE PUMP	44307-22010-	1	19	80	8008-8210	FJ40			1	1	18
8210-8410	BJ42, FJ40	L=39.942-3 9.937	44307-22020-	1	19	80		44391 BJ42, FJ40	PLATE, POWER STEERING OIL CAUTION	44391-30020-	1	19	80
8210-8410	BJ42, FJ40	L=39.937-3 9.932	44307-22020-	1	19	80	8008-8108	FJ40		44391-30010-	1	1	14
8008-8210	FJ40	L=39.942-3 9.937	44307-22010-	1	1	18	8108-8210	FJ40		44391-30020-	1	15	18
8008-8210	FJ40	L=39.937-3 9.932	44307-22020-	1	1	18							
8210-8410	44345A BJ42, FJ40	SPRING, COMPRESSION (FOR VANE PUMP SLIPPER)	90501-06445-	24	19	80							

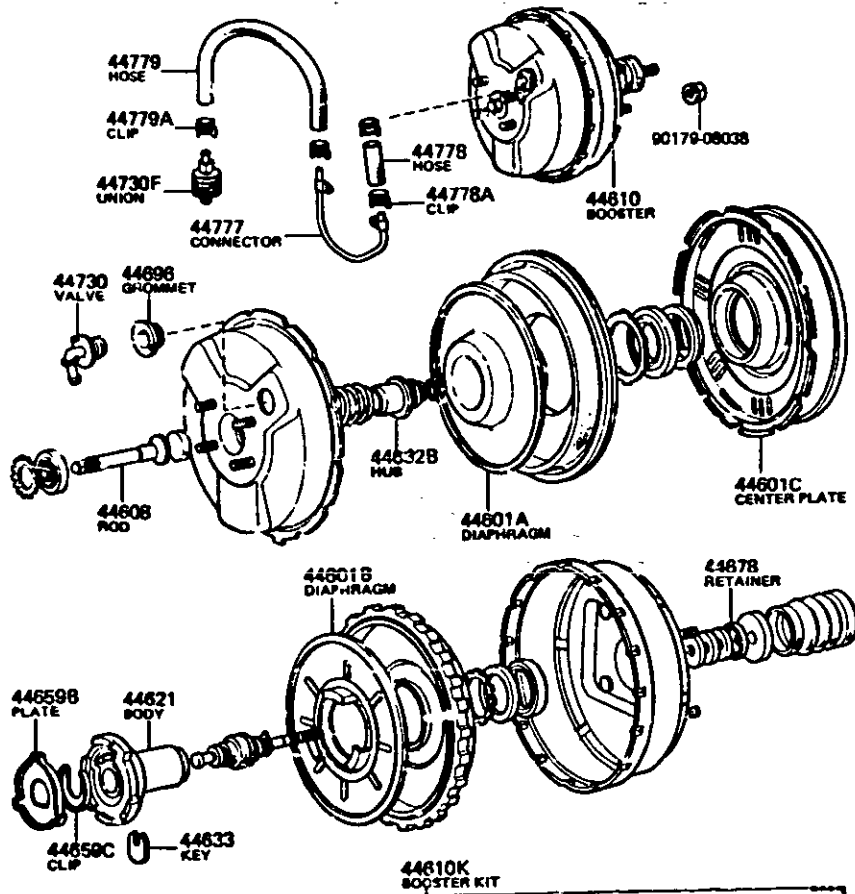
FIG. 47-03 BRAKE BOOSTER

2-B7

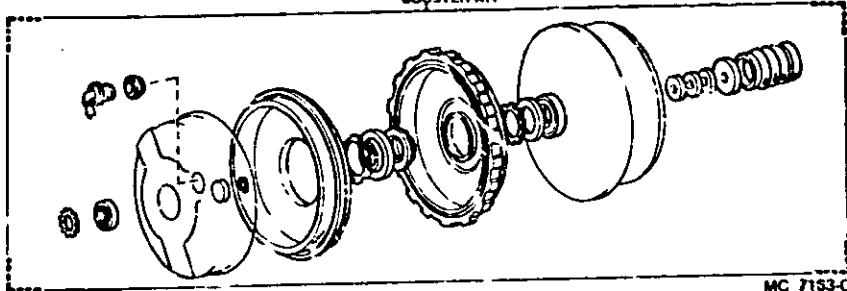
(8008-8309)FJ40

(8008- )BJ42

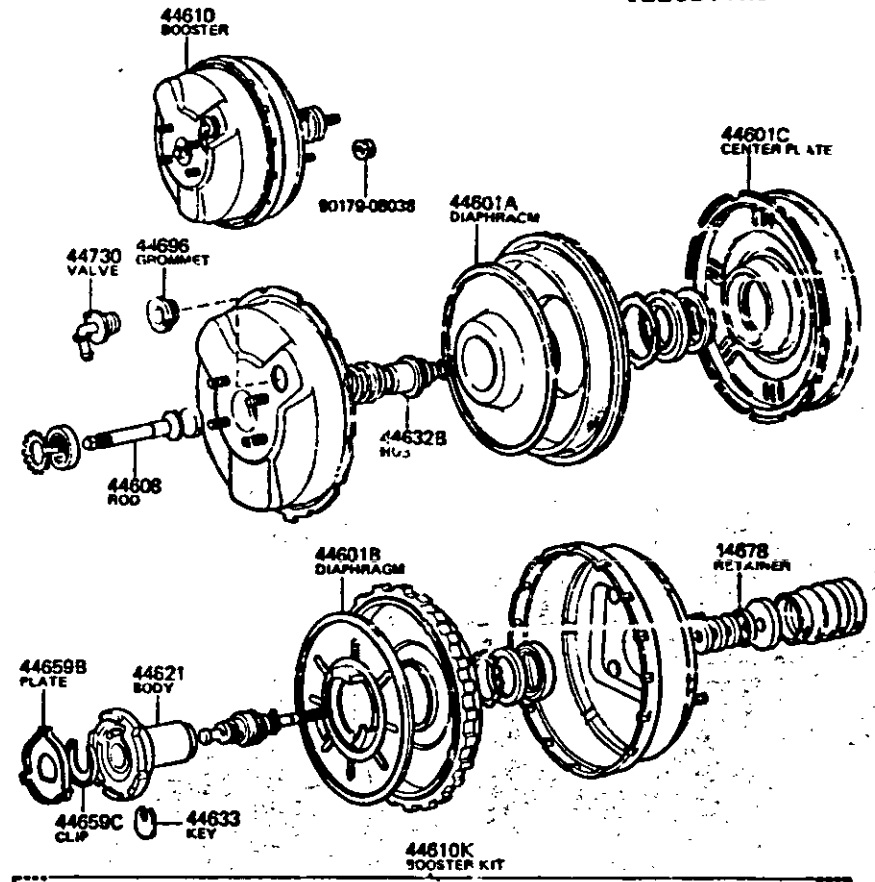
ILLUST. NO. 10F2



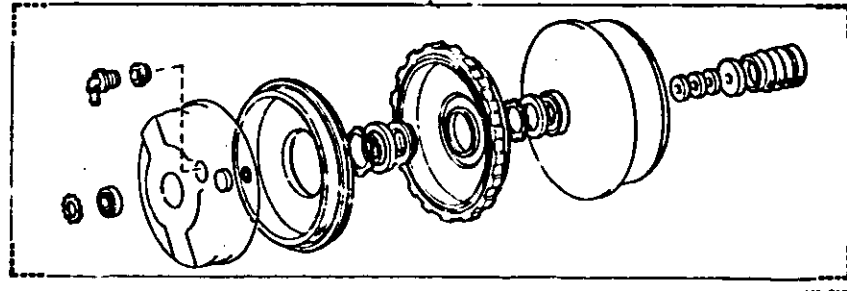
44810K BOOSTER KIT



MC 7153-C



44610K BOOSTER KIT



MC 7162

MC7163C

MC7162 10-11-611

FIG. 48-02

GENUINE TOYOTA PARTS

2-58

GENUINE TOYOTA PARTS

PROD. DATE	MODELS	DESCRIPTION	PART NUMBER	QTY	REV. REF. CODE		PROD. DATE	MODELS	DESCRIPTION	PART NUMBER	QTY	REV. REF. CODE	
					FROM	UP TO						FROM	UP TO
8008-8410	BJ42, FJ40	GASKET, KNUCKLE SPINDLE	43435-60011-	2	1	80							
8008-8410	BJ42, FJ40	GASKET, KNUCKLE SPINDLS OIL RETAINER	43436-60011-	2	1	80							
8008-8410	BJ42, FJ40	SEAL, DUST (FOR FRONT AXLE HUB)	90315-73001-	1		80							
8008-8102	BJ42, FJ40	BEARING (FOR STEERING KNUCKLE ARM)	97310-30303- (90366-17001-	4	1								
8102-8410	BJ42, J40		90366-17001-	4		80							
8008-8410	BJ42, FJ40	DOWEL, SPIT (FOR STEERING KNUCKLE ARM)	42323-60010-	8	1	80							

12251 - 16210

BII

16210 - 19115

PART NUMBER	LOCATION	PART NUMBER	LOCATION	PART NUMBER	LOCATION	PART NUMBER	LOCATION	PART NUMBER	LOCATION	PART NUMBER	LOCATION
12251-56030	1-E2	13470-61010	1-H2	15122-74010	1-B3	16210-56040	1-E3	17100-61001	1-E4	17586-61011	1-L4
-56031	1-E2	13477-60030	1-H2	15125-63013	1-B3	-61071	1-E3	-61002	1-E4	-61034	1-L4
-56040	1-E2	13478-60010	1-H2	15126-63012	1-B3	-61120	1-E3	17111-56040	1-E4	17587-61011	1-L4
12261-61020	1-E2	13504-56020	1-H2	15131-24010	1-B3	16261-56011	1-M3	-56000	1-E4	-61020	1-L4
12301-61012	1-C2	-56030	1-L2	15132-40010	1-B3	-56012	1-M3	-56130	1-E4	17590-61010	1-L4
12311-56030	1-C2	13509-56010	1-L2	-76011	1-B3	-60011	1-M3	17141-56030	1-E4	17610-61030	1-E5
-61011	1-C2	13511-56010	1-L2	15133-20010	1-B3	16271-56020	1-E3	-56031	1-E4	17691-61711	1-F5
12315-56010	1-C2	-56030	1-K1	-74010	1-B3	-60011	1-E3	-56050	1-E4	17700-56010	1-K4
-56011	1-C2	-60060	1-K2	15134-20010	1-B3	16331-56020	1-M3	17151-61010	1-E4	-58011	1-K4
-61011	1-C2	13519-56010	1-H2	15184-15010	1-E3	-56030	1-M3	17152-61010	1-E4	-58012	1-K4
12361-56031	1-C2	13521-56020	1-L2	15195-56010	1-B3	-61032	1-M3	17167-56020	1-E4	-58030	1-K4
-59035	1-C2	-56030	1-L2	-56010	1-B3	-61041	1-M3	-61012	1-E4	-58031	1-K4
-61020	1-C2	-60010	1-L2	15201-56010	1-K1	16333-56040	1-M3	17160-61010	1-E4	-58032	1-K4
12371-56010	1-C2	13523-56030	1-K2	-56040	1-K1	-56064	1-M3	17169-61011	1-E4	-61023	1-K4
-61020	1-C2	-56040	1-K2	-61010	1-K1	-61100	1-M3	17171-61010	1-E4	17701-56111	1-K4
12511-56030	1-C2	-60030	1-K2	15403-56040	1-B3	-61110	1-M3	17172-56020	1-F4	-56112	1-K4
-56031	1-C2	13525-56010	1-L2	-56041	1-B3	16341-56020	1-M3	-56021	1-F4	17733-77020	1-K4
-56040	1-C2	13571-56010	1-K2	-60020	1-B3	-61020	1-M3	-56022	1-F4	17705-56071	1-L4
-60081	1-C2	-56020	1-K2	15422-56020	1-B3	16343-56020	1-M3	-61033	1-F4	-56290	1-L4
-61021	1-C2	-60010	1-K2	15600-41010	1-E3	-60010	1-M3	17173-56020	1-F4	-61023	1-L4
13011-58010	1-C2	-61010	1-K2	15605-58010	1-K1	16349-61024	1-A4	-56221	1-F4	17720-24030	1-L4
-58011	1-C2	13572-56010	1-L2	15609-56040	1-E3	16361-58010	1-A4	-56022	1-F4	17751-61021	1-L4
-61010	1-C2	-56020	1-L2	-61010	1-E3	-61011	1-A4	-58010	1-F4	17781-90300	1-L4
13013-61010	1-C2	13711-58010	1-K2	-61011	1-E3	-61020	1-A4	17231-61012	1-F4	17782-90300	1-L4
13015-61010	1-C2	-60021	1-K2	-61020	1-E3	16363-61013	1-A4	17232-61013	1-F4	17783-90300	1-L4
13017-61010	1-C2	13715-58010	1-K2	15621-41010	1-E3	16371-56030	1-J3	-61014	1-F4	17791-56170	1-M5
13061-58010-01	1-C2	-60032	1-K2	15691-56030	1-E3	-56040	1-J3	17303-61011	1-F5	-61022	1-M5
-58010-02	1-C2	-61010	1-K2	-60010	1-E3	16381-56030	1-A4	17306-61021	1-C5	17792-61033	1-M5
13101-58011	1-C2	13734-60030	1-K2	15701-56010	1-E3	-56050	1-A4	17316-61031	1-A5	17795-90300	1-L4
-58012	1-C2	13741-56020	1-K2	-56011	1-E3	-60051	1-A4	17317-61020	1-A4	17796-90300	1-L4
-61011	1-C2	-56021	1-K2	15707-61010	1-E3	-61011	1-A4	17318-61020	1-A5	17801-61010	1-L4
13103-61011	1-C2	-60030	1-K2	15708-58010	1-K1	16400-56100	1-A4	17318-61020	1-A5	-66020	1-L4
13105-61011	1-C2	13731-56011	1-L2	-58020	1-K1	-56101	1-A4	-61040	1-A5	17810-61010	1-F5
13107-61011	1-C2	-56012	1-L2	15710-56040	1-E3	-61020	1-A4	17341-61021	1-B5	17841-61011	1-L4
13201-58010	1-C2	-56020	1-L2	-56041	1-E3	-61030	1-A4	17342-61030	1-B5	-68010	1-L4
-58011	1-C2	-61010	1-L2	-61010	1-E3	16401-61021	1-A4	17343-61020	1-B5	17845-56040	1-L4
-60011	1-C2	13755-61010	1-L2	15725-56010	1-E3	16402-56010	1-A4	17344-61011	1-B5	-61011	1-L4
13202-58010	1-C2	13781-31011	1-L2	-56011	1-E3	-56011	1-A4	17345-61030	1-B5	17845-61020	1-L4
-60011	1-C2	-56010	1-L2	15771-61010	1-E3	16407-56011	1-A4	17346-61020	1-C5	17853-58010	1-B4
13203-60011	1-C2	-61010	1-L2	15777-61011	1-E3	-56012	1-B4	17347-61010	1-C5	17851-56030	1-L4
13204-58010	1-C2	13811-56020	1-L2	16100-59095	1-E3	-60011	1-A4	17400-61020	1-M4	-61010	1-L4
-58011	1-C2	-53030	1-L2	-59105	1-E3	16408-24010	1-A4	17401-56100	1-M4	17882-56020	1-L4
-60011	1-C2	-61021	1-L2	-61071	1-E3	-61140	1-A4	-61090	1-M4	-61011	1-L4
13205-58010	1-C2	13812-56020	1-L2	-61130	1-E3	16571-56010	1-B4	17410-61170	1-M4	17885-56010	1-L4
-58011	1-C2	-56030	1-L2	16104-41111	1-E3	-56011	1-B4	17420-56000	1-M4	18491-61010	1-M4
-60011	1-C2	-61021	1-L2	-52011	1-E3	-61042	1-B4	-61032	1-M4	19000-58010	1-C1
13207-58010	1-C2	13901-56020	1-L2	16110-61071	1-E3	-61050	1-B4	-61070	1-M4	-58011	1-C1
-58011	1-C2	-61011	1-L2	-61081	1-E3	-61071	1-B4	17430-56310	1-E4		
13265-58010	1-H2	13951-56010	1-L2	16117-56040	1-E3	16572-56060	1-B4	-61040	1-E4	-58012	1-C1
-69015	1-H2	-61012	1-L2	-61012	1-E3	-56061	1-B4	-61120	1-E4	-58310	1-C1
13401-58010	1-H2	13952-56010	1-H2	16119-56040	1-E3	-56062	1-B4	17435-61011	1-E4	-61200	1-C1
-58020	1-H2	-61012	1-H2	16124-61012	1-E3	16573-56020	1-B4	-61030	1-E4	-61210	1-C1
-60010	1-H2	13953-56010	1-H2	16131-56020	1-E3	-56021	1-B4	17503-61010	1-E4	19160-61092	1-L5
-60015	1-H2	13958-56010	1-L2	-56040	1-E3	-56022	1-E4	17506-61011	1-H4	-61102	1-L5
13405-56031	1-H2	13994-61010	1-L2	-61071	1-E3	16577-56020	1-B4	17507-61010	1-H4	19101-61101	1-L5
-59055	1-H2	15012-60014	1-B3	16141-60014	1-E3	-56021	1-B4	17509-56020	1-E4	-61102	1-L5
-69015	1-H2	15077-56010	1-C3	-76010	1-E3	-61040	1-B4	-61020	1-E4	19102-63060	1-L5
13453-56020	1-H2	15100-61010	1-B3	16171-38022	1-E3	-61120	1-B4	17552-56010	1-E4	-65150	1-L5
-60010	1-H2	15104-56040	1-B3	-61071	1-E3	16701-56022	1-B4	-56011	1-E4	-61091	1-L5
13470-56100	1-H2	-56050	1-B3	16173-56010	1-E3	-56240	1-B4	-61030	1-E4	-61102	1-L5
-56101	1-H2	15115-56030	1-B3	16193-33030	1-E3	16711-61030	1-B4	17567-61030	1-E4	19105-61051	1-L5
-56170	1-H2	15121-56030	1-B3	16198-41050	1-E3	-61091	1-B4	17571-56060	1-H4	19114-61011	1-L5
-60031	1-H2	-88111	1-B3	-41170	1-E3	17061-61020	1-K4	-61100	1-H4	-61030	1-L5
-60120	1-H2	15122-56030	1-B3	16210-56020	1-E3	17100-61052	1-E4	17100-61010	1-H4	19115-50010	1-L5

**B15**

LAND CRUISER Hardtop U.S.A.

**PRODUCTION FRAME NUMBER REFERENCE LIST**

Applicable Model	Production Date Assembly Line	8001	8002	8003	8004	8005	8006	8007	8008	8009	8010	8011	8012
		BJ42	TMC Honsya Plant	-	-	000001	000002	-	000003	-	000003	000004	000392
FJ40	TMC Honsya Plant	317664	319023	319459	321173	323124	324752	326067	327666	328547	330028	331829	332886

Applicable Model	Production Date Assembly Line	8101	8102	8103	8104	8105	8106	8107	8108	8109	8110	8111	8112
		BJ42	TMC Honsya Plant	001151	001263	001394	001552	001643	001752	001886	001987	002098	002208
FJ40	TMC Honsya Plant	333422	335070	336330	338230	339822	341381	342951	344902	346406	347957	349881	351525

Applicable Model	Production Date Assembly Line	8201	8202	8203	8204	8205	8206	8207	8208	8209	8210	8211	8212
		BJ42	TMC Honsya Plant	002926	003165	003337	003719	003734	003944	004071	004204	004268	004377
FJ40	TMC Honsya Plant	352467	353264	354146	354734	355777	356283	356962	357653	358128	358812	360008	360581

Applicable Model	Production Date Assembly Line	8301	8302	8303	8304	8305	8306	8307	8308	8309	8310	8311	8312
		BJ42	TMC Honsya Plant	004625	004687	004801	004916	005028	005177	005361	005664	005964	005962
FJ40	TMC Honsya Plant	361221	362008	362646	363526	363876	364307	364529	364961	365620	366061	366353	366603

Applicable Model	Production Date Assembly Line	8401	8402	8403	8404	8405	8406	8407	8408	8409	8410	8411	8412
		BJ42	TMC Honsya Plant	006208	006314	006576	006762	007079	007276	007479	007652	007779	008042
FJ40	TMC Honsya Plant	367412	368165	369368	369102	369623	369816	370200	370445	370533	371267		

## (1) Abbreviations

## MARK &amp; ABBREVIATION LIST

B16

Mark	Definition	Mark	Definition	Mark	Definition	Mark	Definition
--	Among	A40	A40 Type Transmission (3-speed)	EGE	EGE Vacuum Motor	KUZEH	Kuzen Company Limited
.	And	A40D	A40D Type Transmission	EXCL/	Exclude	LW	Exclude
+	And Plus		(4-speed)	FR	Fabric	L	Length mm:
-	Excluded (minus)	A43D	A43D Type Transmission	FR	Front	L	Light
#	AP series		(4-speed)	FUJI-THOMSON	Fuji-Thomson Company Limited	L	Liftback
z	AP series (All)	A43DE	A43DE Type Transmission	G	Grams	LB	Pounds
1St	First	A55	A55 Type Transmission (3-speed)	G-	Greenish	LE	LE type
2D	2 door	A140E	A140E Type Trans Axle	GL	Gl. type	LG	LG type
2DS	2-door Sedan		(4-speed)	GS	Japan Storage Battery Company Limited	LH	Left hand
2WD	2-door Station Wagon	ABV	Air By-pass Valve	GT	GT type	LHD	Left Hand Drive
2FC	2-speed Automatic Transmission, Floor Shift	ACV	Air Control Valve	GT5	GT-5 type	LF	Less Passive Belt
2HC	2-speed Automatic Transmission, Column Shift	AI	Air Injection	HA	High Altitude Specification	LT	LT type
2ND	Second	ARAKAWA	Arakawa Auto Body Company Limited	HAC	High Altitude Compensator	LTD	Limited Slip Differential
3D	3-door	ASCO	Aisin Seiki Company Limited	HDX	Hx-deluxe type	LWR	Lower
3DS	3-door Sedan (Hatch-back)	ASSY	Assembly	HLF	0.5 ton	M	Meters
3FC	3-speed Automatic Transmission, Floor Shift	ASV	Air Switching Valve	HT	Hardtop	M	Motor
3H	3-speed Manual Transmission, Column Shift	ATM	Automatic Transmission	HVY	Heavy	MARUKU	Maruko, Kenroku Company Limited
3HC	3-speed Automatic Transmission, Column Shift	B-	Brownish	ID	Inside Diameter (mm)	MATSUSHITA	Matsushita Electric Industrial Company Limited
3RD	Third	BN	Bench seat	IKI	Ichikoh Industries Limited	M/C	Master Cylinder
3QT	0.75 ton	BRIDGESTONE	Bridgestone Company Limited	IM-FB	Imitation Fabric	MM	Millimeters
4D	4-door	BRK	Brake	IN	Inches	MTM	Manual Transmission
4DS	4-door Sedan	BSTR	Booster	ISO	International Organization for Standardization	MURAKAMI	Murakami Kamado Company Limited
4DW	4-door Station Wagon	BSV	Bimetal Vacuum Switching	IV	Incomplete Vehicles	N	Number of teeth
4F	4-speed Manual Transmission, Floor Shift	CSR	Carburetor system	IV1	Chassis & Windshield	NACHI	Fujikoshi Limited
4FC	4-speed Automatic Transmission, Floor Shift	CBU	Completely Built Unit	IV3	Chassis & Cab	NHON	Nihon Thermostat Company Limited
4H	4-speed Manual Transmission, Column Shift	CITIZEN	Rhythm Watch Company Limited	JECO	Jeco Company Limited	NOK	Nippon Oseal Industry Company Limited
4TH	Fourth	CM	Centimeters	JKC	Jidosha Kiki Company Limited	NSK	Nippon Seiko Company Limited
5D	5-door	CM2	Centimeters square	KAYABA	Kayaba Industry Company Limited	OD	Outside Diameter (mm)
5C	5-door Sedan (Hatch-back)	CND	For Canada	KCAL	Kilo Calorie	O/S	Oversize
5F	5-speed Manual Transmission, Floor Shift	CP	Coupe	K-FB	Knit Fabric	P	Pick
5TH	Fifth	CR-PLATED	Chrome Plated	K-TY	Knit Tape Yarn	P-	Purplish
6F	6-speed Manual Transmission, Floor Shift	CTF	Center	KG	Kilograms	P & B	Proportioning & By-pass Valve
3	Ampere	CVT	Convertible	KG/CM2	Kilograms per centimeter square	PCV	Positive Crankcase Ventilation System
A	Ampere	D-	Dark	KIA	Kia	PF	Perforated foam creted vinyl leatherette
A20	A20 Type Transmission (2-speed)	DENSEO	Densetsu Company Limited	KOBE	Kobe Electric Machinery Company Limited	PIC	Pickup
		DIFF	Differential			PS	Power Steering
		DLX	Deluxe type	KOITO	Koito Manufacturing Company Limited		
		DUNLOP	Dunlop Rubber Company (Japan) Limited	KOKI	Toyoda Machine Works Company Limited (Toyoda Toki)		
		DX	DX type (Deluxe type)	KOYO	Koyo Seiko Company Limited		
		EDIC	Electronic Diesel Injection Control				
		EFI	Electronic Fuel Injection System				
		EGR	Exhaust Gas Recirculation System				

(U.S.A. 1/2)



FIG. 31-02 CLUTCH PEDAL & FLEXIBLE HOSE

2-C1

(8008- )

(8008- )

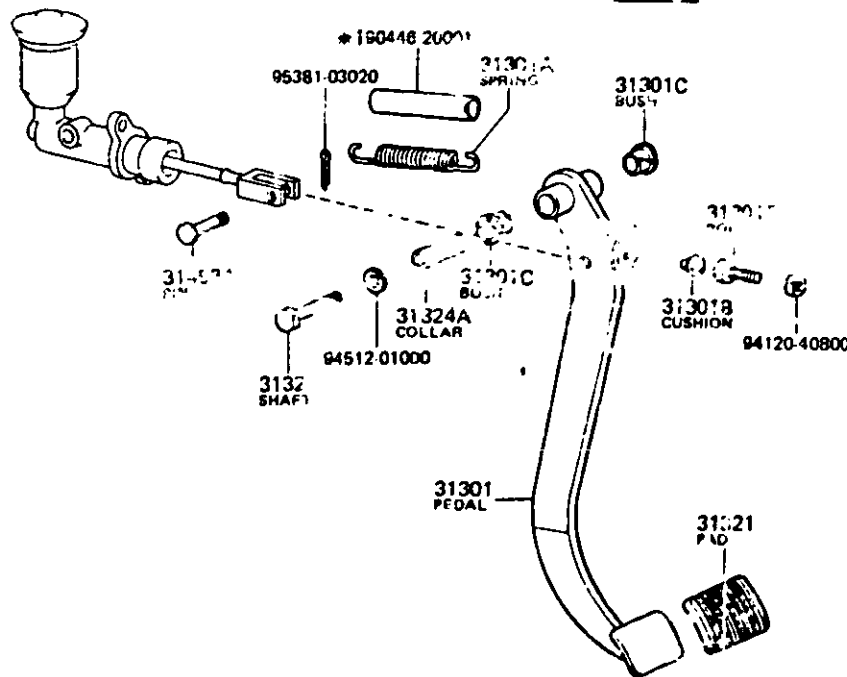
ILLUST. NO. 10F2

ILLUST. NO. 20F2

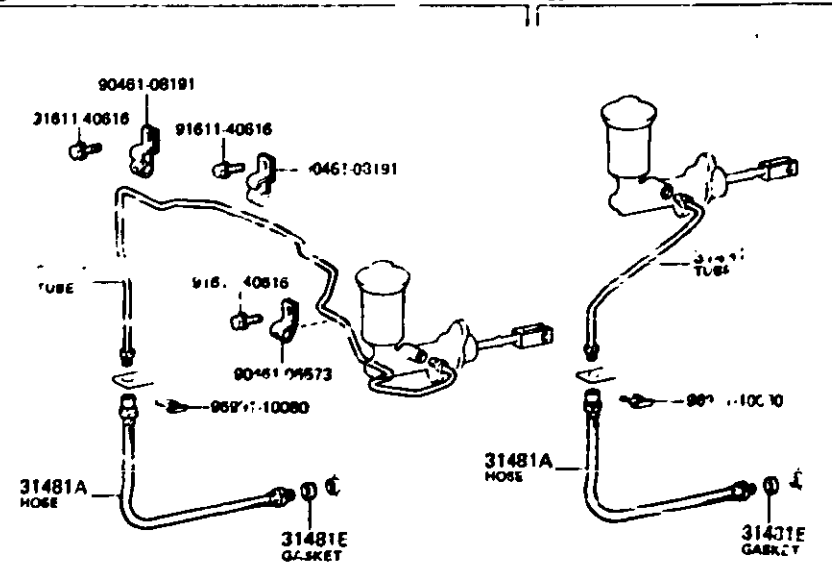
\* 1LHD

FJ

BJ



MC 7080



MC 7081 A

FIG. 33-05

GENUINE TOYOTA PARTS

2-C2

GENUINE TOYOTA PARTS

PROD. DATE	MODELS	DESCRIPTION	PART NUMBER	REV. REF. CODE		PROD. DATE	MODELS	DESCRIPTION	PART NUMBER	REV. REF. CODE	
				FROM	UP TO					FROM	UP TO
	33335	GEAR, 1ST					33368	RING, SYNCHRONIZER (FOR NO.2 CLUTCH HUB)			
8210-8410	BJ42		33335-60070-	1	19 80	8008-8410	BJ42,FJ40		33368-20012-	2	1 00
8008-8309	BJ42,FJ40..4F		33335-60011-	1	1		33369	RING, SYNCHRONIZER (FOR NO.3 CLUTCH HUB)			
	33335C	BEARING (FOR 1ST GEAR NEEDLE)				8210-8410	BJ42		33368-20012-	1	19 80
8008-8410	BJ42,FJ40		90364-44065-	1	1 83		33376	SPRING, SYNCHROMESH SHIFTING KEY (FOR NO.3 CLUTCH HUB)			
	33335	GEAR, 5TH				8210-8410	BJ42		33391-36010-	2	19 80
8210-8410	BJ42		33336-60010-	1	19 80		33377	KEY, SYNCHROMESH SHIFTING (FOR NO.3 CLUTCH HUB)			
	33343	BUSH, 3RD & 2ND GEAR				8210-8410	BJ42		33394-36011-	3	19 80
8008-8410	BJ42,FJ40		33343-36020-	1	1 80		33391	SPRING, SYNCHROMESH SHIFTING KEY (FOR NO.2 CLUTCH HUB)			
	33348	WASHER, 1ST GEAR THRUST				8008-8410	BJ42,FJ40		33371-20010-	2	1 80
8008-8410	BJ42,FJ40		33348-36012-	1	1 80		33395	SLEEVE, TRANSMISSION HUB, NO.3			
	33340A	PIN OR BALL (FOR 1ST GEAR THRUST WASHER)				8210-8410	BJ42		33395-36010-	1	19 80
8008-8410	BJ42,FJ40		90230-05202-	1	1 80		33398	HOLDER, SYNCHRONIZER RING			
	33349	WASHER, 5TH GEAR THRUST				8008-8207	BJ42,FJ40		33396-36011-	4	1
8210-8410	BJ42		33346-36010-	1	19 80	8207-8410	BJ42,FJ40		(33396-36012-	1	
	33349C	PIN (FOR 5TH GEAR THRUST WASHER)					33398-36012-	4	80		
8210-8410	BJ42		90257-06009-	1	19 83		33402	GEAR SUR-ABBY, REVERSE IDLER			
	33355A	KEY OR BALL, 1ST GEAR BEARING INNER RACE LOCK				8008-8204	BJ42,FJ40		33402-36021-	1	1 22
8008-8410	BJ42,FJ40		90360-06004-	1	1 80	8204-8410	BJ42,FJ40		33402-36050-	1	23 80
	33362	HUB, TRANSMISSION CLUTCH, NO.2					33411A	BEARING OR ROLLER (FOR COUNTER GEAR FRONT)			
8008-8410	BJ42,FJ40		33362-36021-	1	1 80	8210-8410	BJ42		90365-32002-	1	19 80
	33364	SLEEVE, TRANSMISSION HUB, NO.2				8008-8309	BJ42,FJ40..4F		97153-06332-	1	1
8008-8410	BJ42,FJ40		33364-36051-	1	1 80		33411D	RING, COUNTER GEAR FRONT BEARING SNAP	NO.1		
	33366	KEY, SYNCHROMESH SHIFTING (FOR NO.2 CLUTCH HUB)				8008-8410	BJ42,FJ40	T=2.05-2.1	90520-30214-	1	1 80
8008-8410	BJ42,FJ40		33366-36020-	3	1 80		0	0	90520-30216-	1	1 80
						8008-8410	BJ42,FJ40	T=2.15-2.2	0	1	1 80
						8008-8410	BJ42,FJ40	T=2.25-2.3	0	1	1 80

FIG. 36-10

## GENUINE TOYOTA PARTS

2-63

## GENUINE TOYOTA PARTS

PROD. DATE	MODELS	DESCRIPTION	PART NUMBER	QTY	REV. REF. CODE		PROD. DATE	MODELS	DESCRIPTION	PART NUMBER	QTY	REV. REF. CODE	
					FROM	UP TO						FROM	UP TO
	36231B	SHIM (FOR TRANSFER OUTPUT SHAFT)						36237	HUB, TRANSFER CLUTCH				
8008-8410	BJ42, FJ40	T=0.70	90564-73005-	2	1	80	8008-8410	BJ42, FJ40	36237-60020-	1	1	80	
8008-8410	BJ42, FJ40	T=0.80	90564-70006-	2	1	80							
8008-8410	BJ42, FJ40	T=0.90	90564-70007-	2	1	80		36251	SPACER, TRANSFER INPUT SHAFT				
8008-8410	BJ42, FJ40	T=1.00	90564-70008-	2	1	80	821J-8410	BJ42	36251-60030-	1	19	80	
8008-8410	BJ42, FJ40	T=1.10	90564-70009-	2	1	80	8008-8309	BJ42, FJ40, .4F	36251-60050-	1	1		
8009-8410	BJ42, FJ40	T=1.20	90564-70010-	2	1	80		36261	SPACER, TRANSFER IDLER GEAR				
8008-8410	BJ42, FJ40	T=1.30	90564-70011-	2	1	80	8008-8410	BJ42, FJ40	90560-36001-	1	1	80	
8008-8410	BJ42, FJ40	T=1.40	90564-70012-	2	1	80		36726	PLATE, LOCK (FOR TRANSFER GEAR)				
8008-8410	BJ42, FJ40	T=1.50	90564-70013-	2	1	80	8008-8106	BJ42, FJ40	36726-60010-	1	1		
	36231C	BEARING, TAPER ROLLER (FOR TRANSFER OUTPUT SHAFT)					8108-8410	BJ42, FJ40	36726-60020-	1	1	80	
8008-8410	BJ42, FJ40	FR	90366-35011-	1	1	80							
8008-8410	BJ42, FJ40	RR	97600-30307-	1	1	80							
	36231E	BEARING, NEEDLE ROLLER (FOR TRANSFER OUTPUT SHAFT FRONT)											
8008-8410	BJ42, FJ40		90364-17010-	1	1	80							
	36231F	RING, SHAFT SNAP (FOR TRANSFER OUTPUT SHAFT)											
8008-8410	BJ42, FJ40	T=2.3	90520-33107-	1	1	80							
8008-8410	BJ42, FJ40	T=2.6	90520-33110-	1	1	80							
	36234	SHAFT, TRANSFER OUTPUT, FRONT											
8008-8410	BJ42, FJ40		90534-60031-	1	1	80							
	36234A	BEARING (FOR TRANSFER OUTPUT FRONT SHAFT)											
8008-8410	BJ42, FJ40		90363-35013-	1	1	80							
	36234B	RING, HOLE SNAP (FOR TRANSFER OUTPUT FRONT SHAFT RING)											
8008-8410	BJ42, FJ40		90521-75023-	1	1	80							
	36235	BLEEVE, TRANSFER HIGH AND LOW CLUTCH											
8008-8410	BJ42, FJ40		36235-60020-	1	1	80							
	36236	BLEEVE, FRONT DRIVE CLUTCH											
8008-8410	BJ42, FJ40		36235-60020-	1	1	80							

FIG. 41-01 REAR AXLE HOUSING & DIFFERENTIAL

2-C4

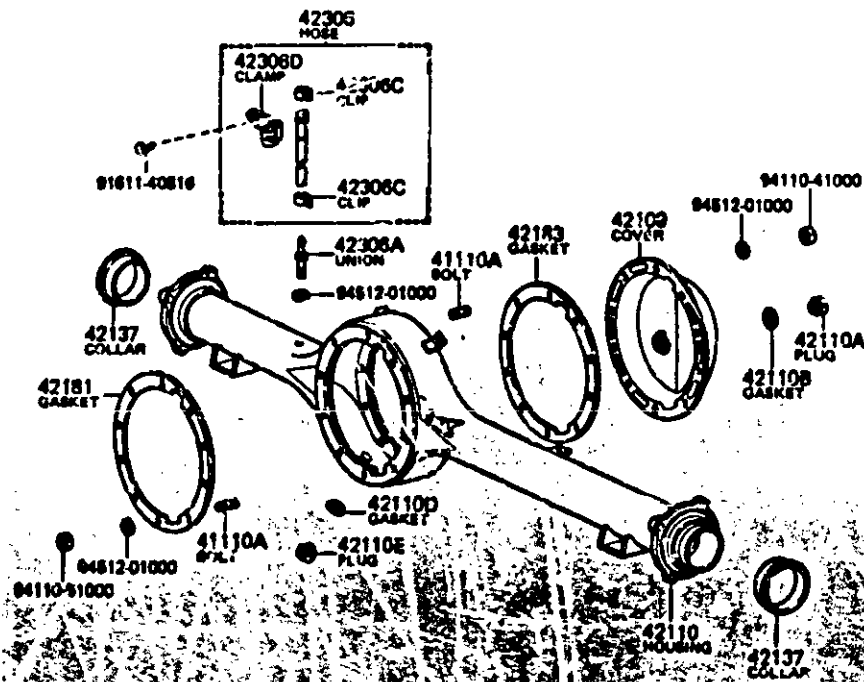
(8008- )

(8008-8110)

ILLUST. NO. 10F2

ILLUST. NO. 10F2

Semi Floating Axle



Full Floating Axle

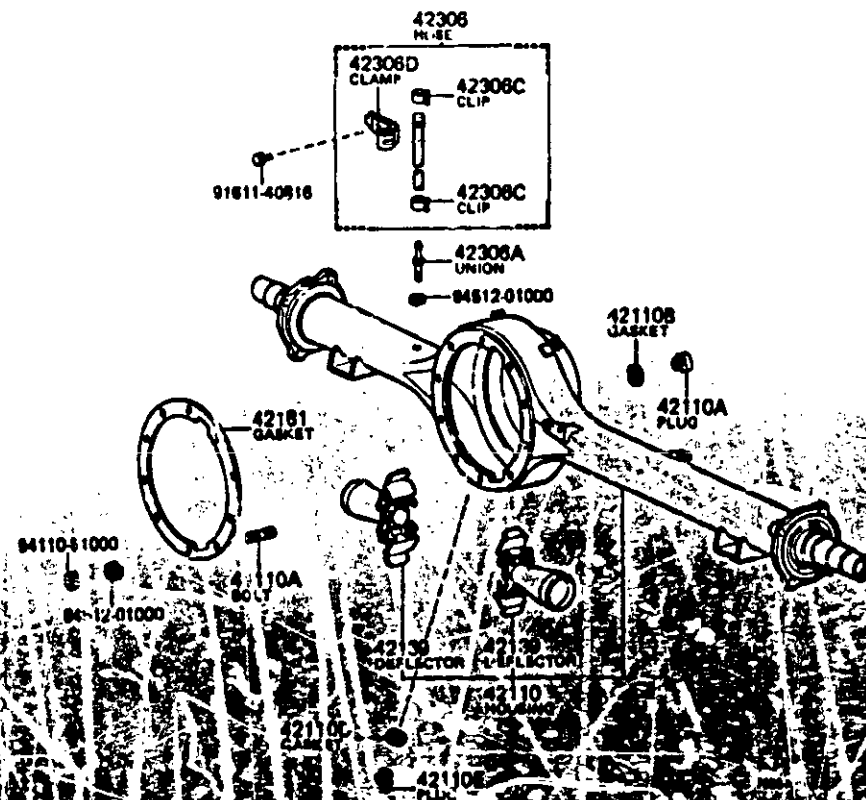
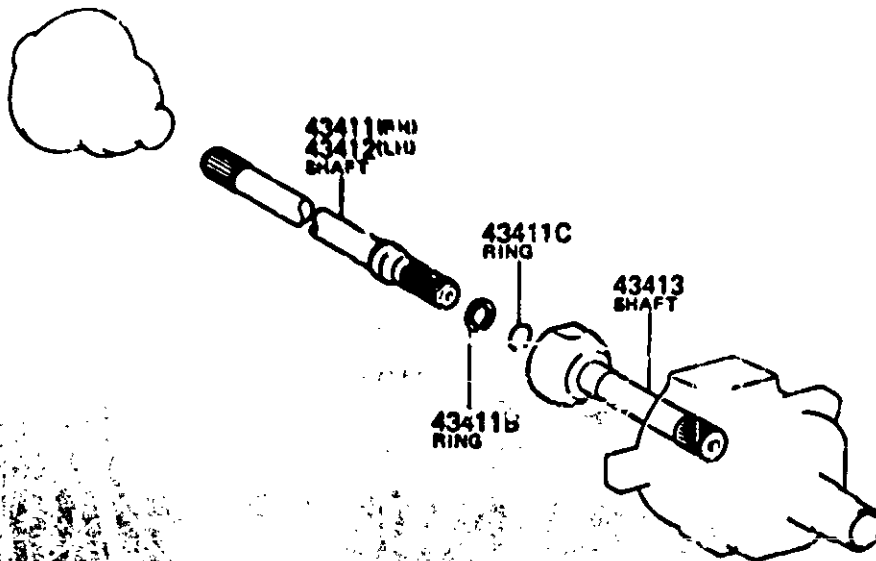


FIG.43-02 DRIVE SHAFT

2-C5

GENUINE TOYOTA PARTS

(8008- )



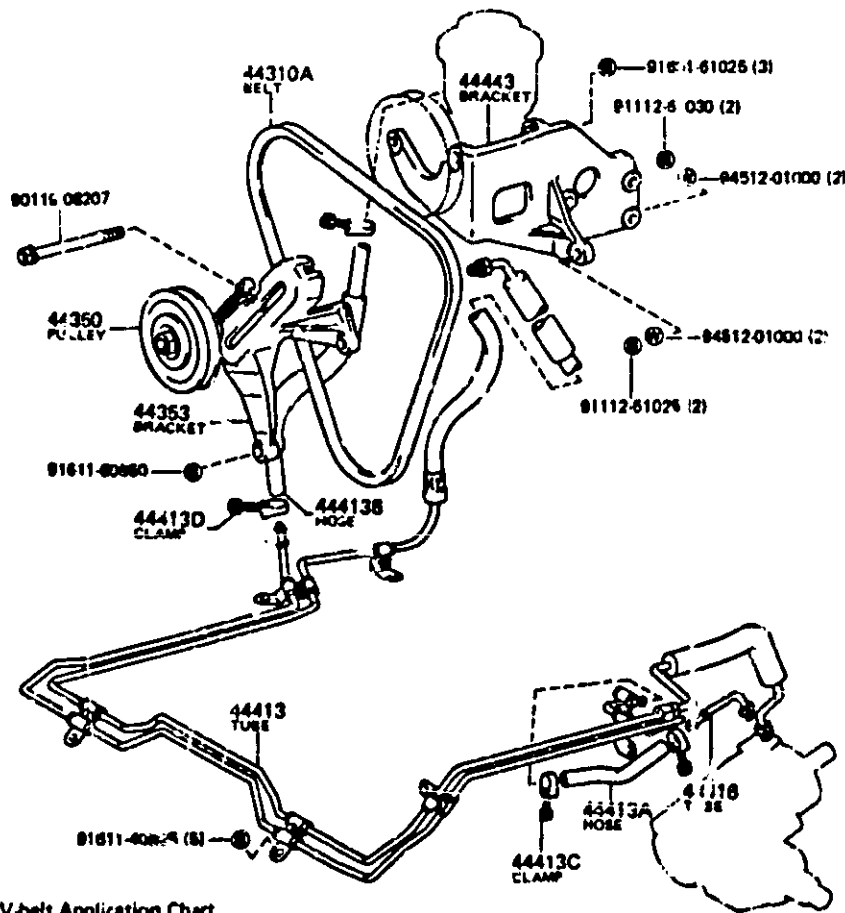
PROD. DATE	MODELS	DESCRIPTION	PART NUMBER	REV. REF. CODE	
				FROM	UP TO
FIG.	43-02 DRIVE SHAFT				
	43411	SHAFT, FRONT AXLE, INNER RH			
8008-8410	BJ42,PJ40		43411-60020-	1	80
	43411B	RING, SHAFT SNAP (FOR FRONT DRIVE INNER SHAFT INNER)			
8008-8410	BJ42,PJ40		90520-28036-	2	80
	43411C	RING, SHAFT SNAP (FOR FRONT DRIVE INNER SHAFT OUTER)			
8008-8410	BJ42,PJ40		90520-27091-	2	80
	43412	SHAFT, FRONT AXLE, INNER LH			
8408-8410	BJ42,PJ40		43412-60020-	1	80
	43413	SHAFT, DRIVE			
8008-8410	BJ42,PJ40		43405-60015-	2	80

FIG. 45-03 OIL COOLER & TUBE

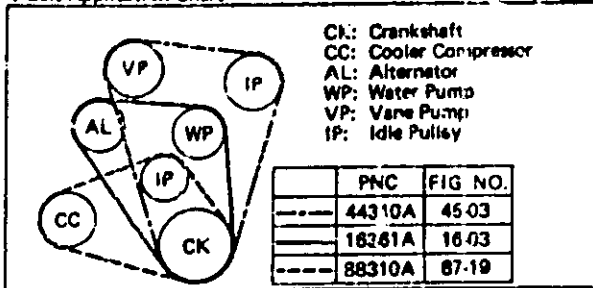
2-C6

(8210- )BJ42

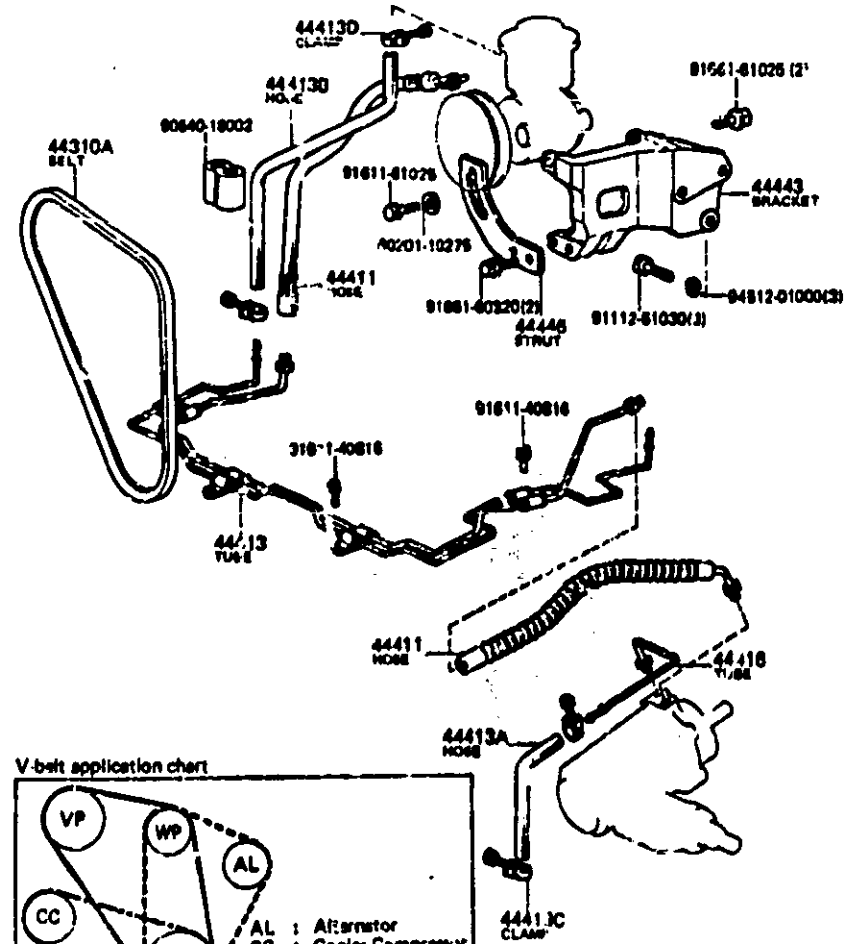
(8008-8110)FJ40..CND



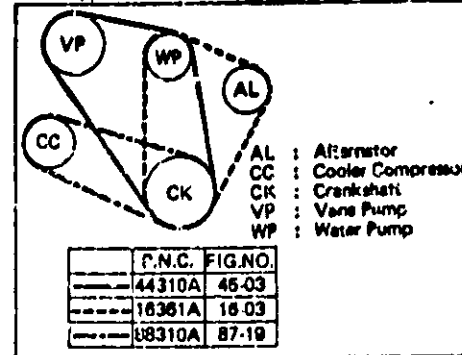
V-belt Application Chart



CK: Crankshaft  
 CC: Cooler Compressor  
 AL: Alternator  
 WP: Water Pump  
 VP: Vane Pump  
 IP: Idle Pulley



V-belt application chart



AL : Alternator  
 CC : Cooler Compressor  
 CK : Crankshaft  
 VP : Vane Pump  
 WP : Water Pump

MC 9062-A

MC 9062-A

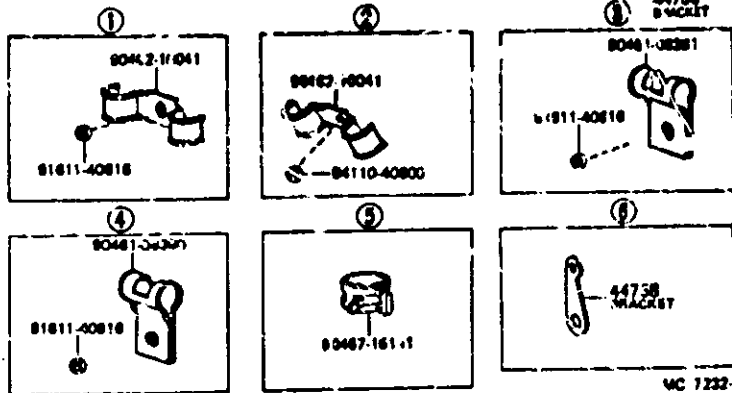
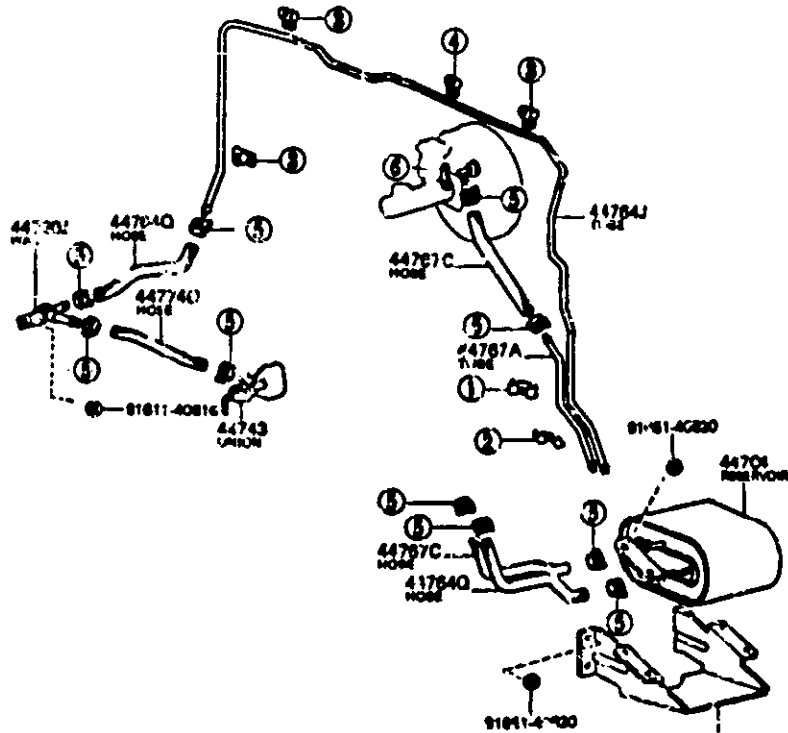
FIG. 47-03 BRAKE BOOSTER.

2-C7

GENUINE TOYOTA PARTS

(8008- 1BJ42

ILLUST. NO. 20F2



MC 7222-B

PROD. DATE	MODELS	DESCRIPTION	PART NUMBER	DET. REF. CODE	
				STY.	PP-DM LIP TO
FIG.	47-03 BRAKE BOOSTER				
8008-8410	BJ42, FJ4C	DIAPHRAGM PLATE SUB-ASSY, BOOSTER FRONT	44609-30350-	1	1 80
8008-8410	BJ42, FJ40	DIAPHRAGM PLATE SUB-ASSY, BOOSTER REAR	44601-30350-	1	1 80
8008-8410	BJ42, FJ40	CENTER PLATE SUB-ASSY, BOOSTER	44606-30350-	1	1 80
8008-8410	BJ42, FJ40	ROD SUB-ASSY, BOOSTER PUSH	44608-30350-	1	1 80
8008-8410	BJ42	BOOSTER ASSY, BRAKE	44610-40210-	1	1 80
8008-8109	FJ40		44610-60180-	1	1 80
8008-8410	BJ42, FJ40	BOOSTER KIT, BRAKE	04443-60141-	1	1 80
8008-8410	BJ42, FJ40	BODY, BOOSTER VALVE	44673-30350-	1	1 80
8008-8410	BJ42, FJ40	HUB, BOOSTER REACTION DISK	44632-60100-	1	1 80
8008-8410	BJ42, FJ40	KEY, BOOSTER VALVE PLUNGER	44633-30350-	1	1 80
8008-8410	BJ42, FJ40	PLATE, BOOSTER RETAINER	44659-30350-	1	1 80
8008-8410	BJ42, FJ40	CLIP, BOOSTER	44659-30350-	1	1 80
8008-8410	BJ42, FJ40	RETAINER, BOOSTER AIR CLEANER	44678-72020-	1	1 80

FIG. 48-03 FRONT SPRING & SHOCK ABSORBER

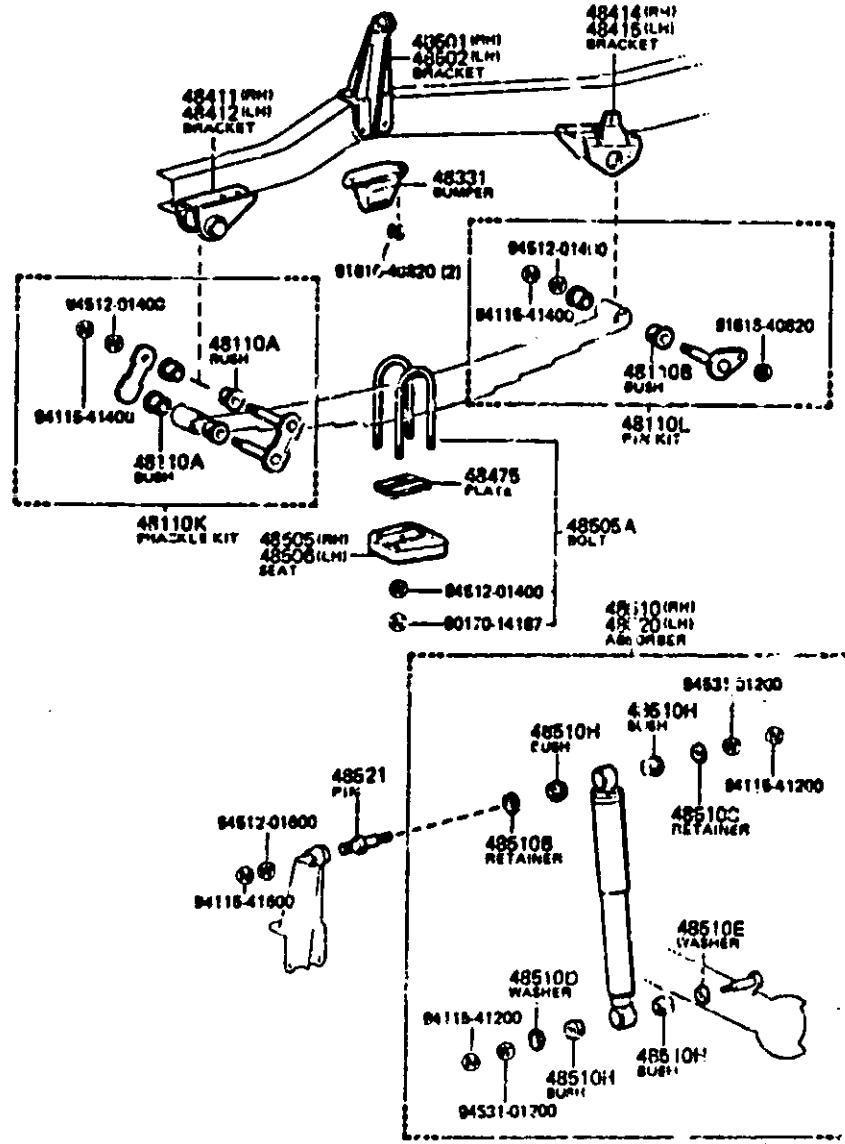
2-C8

(3008- )

(8008- )

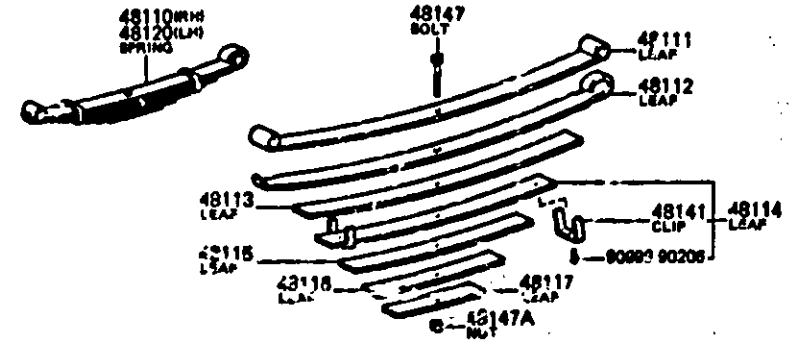
ILLUST. NO. 10F2

ILLUST. NO. 20F2

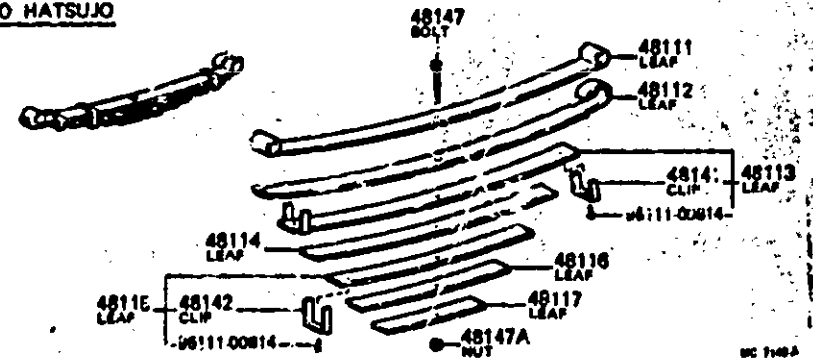


MC 7148-C

MITSUBISHI



CHUO HATSUJO



MC 7148-A

MC7148C

MC7149A MC-11-011



19121 - 22525

C14

22526 - 27700

PART NUMBER	LOCATION	PART NUMBER	LOCATION	PART NUMBER	LOCATION	PART NUMBER	LOCATION	PART NUMBER	LOCATION	PART NUMBER	LOCATION
19121-27020-	1-L5	21618-14010-	1-C7	22174-47010-	1-17	22526-77020-	1-B8	23645-46010-	1-F7	26132-56011-	1-K8
-41140-	1-L5	21622-61010-	1-C7	22177-56041-	1-17	22527-56010-	1-B8	23646-46010-	1-F7	26171-56020-	1-K8
19122-45070-	1-L5	21633-24030-	1-C7	-56042-	1-17	22528-77020-	1-B8	23647-46010-	1-F7	27020-56170-	1-B8
-88262-	1-L5	21641-38310-	1-B7	22178-56011-	1-L7	22529-67010-	1-B8	23648-46010-	1-F7	-56250-	1-B6
19127-41141-	1-L5	21645-33080-	1-C7	22181-56040-	1-17	22535-46010-	1-B8	23649-46010-	1-F7	-57101-	1-B6
-52020-	1-L5	21649-33980-	1-C7	22182-46010-	1-17	22610-56040-	1-C8	23651-46010-	1-F7	-61071-	1-B6
19144-61091-	1-L5	-38010-	1-D7	22183-46010-	1-17	-58010-	1-C8	23652-46010-	1-F7	-61081-	1-B6
19151-61100-	1-L5	21655-44101-	1-D7	22184-46010-	1-17	22611-46010-	1-J7	23654-46010-	1-F7	-61100-	1-B6
19152-45060-	1-L5	-60200-	1-C7	22185-46010-	1-17	22614-56020-	1-C8	23701-56030-	1-G7	27036-57100-	1-B6
19153-61091-	1-L5	21669-61011-	1-C7	22186-46010-	1-17	22615-56040-	1-C8	23702-56030-	1-G7	27039-55010-	1-B6
-61102-	1-L5	-61100-	1-C7	-48010-	1-17	22616-56030-	1-C8	23703-56020-	1-G7	27042-45050-	1-B6
19154-61091-	1-L5	21673-38020-	1-L6	22187-56010-	1-17	22624-56150-	1-C8	23704-56020-	1-G7	27212-39050-	1-B6
-61102-	1-L5	-61140-	1-B7	22188-46010-	1-17	-56050-	1-C8	23741-56010-	1-G7	27310-15030-	1-B6
19169-32010-	1-L5	21699-61010-	1-C7	22189-46010-	1-17	22680-48061-	1-L7	23740-56020-	1-F7	-38061-	1-B6
19181-61091-	1-L5	21722-60200-	1-C7	-48031-	1-17	-48062-	1-M7	-56021-	1-F7	-45110-	1-B6
-70010-	1-L5	21723-11041-	1-C7	-48032-	1-17	22686-48061-	1-M7	-56022-	1-F7	-56140-	1-B6
19195-41100-	1-L5	-21030-	1-C7	-48033-	1-17	22692-56040-	1-M7	23770-56030-	1-F7	-56160-	1-C6
19220-61091-	1-L5	-61140-	1-C7	-48034-	1-17	-56041-	1-M7	-56050-	1-F7	-57061-	1-B6
-61102-	1-M5	21724-61140-	1-C7	-48035-	1-17	22693-77130-	1-M7	23801-56040-	1-G7	-61070-	1-B6
19242-61091-	1-M5	21734-21030-	1-C7	-48036-	1-J7	22694-77130-	1-M7	-56060-	1-G7	27312-56270-	1-B6
-61100-	1-M5	21735-44010-	1-C7	22190-56042-	1-M7	22697-56040-	1-M7	23802-56040-	1-G7	-57063-	1-B6
-61102-	1-M5	21738-60070-	1-C7	22195-48030-	1-J7	-56040-	1-M7	23811-61032-	1-K6	27313-57060-	1-C6
19250-61100-	1-M5	21754-61010-	1-D7	22197-77140-	1-M7	22698-77130-	1-M7	23820-61070-	1-K6	27315-56070-	1-C6
-61102-	1-M5	21743-38010-	1-D7	22303-47C10-	1-L7	-7131-	1-M7	23841-61021-	1-K6	-57060-	1-C6
19519-35030-	1-J5	21781-30020-	1-D7	22308-56130-	1-L7	22699-6130-	1-M7	23842-61031-	1-K6	27330-26050-	1-C6
19850-68040-	1-J5	21791-60010-	1-D7	22311-77130-	1-L7	22703-77140-	1-M7	23904-58010-	3-F6	-45090-	1-C6
-68060-	1-J5	21826-24470-	1-D7	22318-48030-	1-L7	22811-56010-	1-G7	23921-61031-	1-F8	-56050-	1-C6
19871-56020-	1-J5	21832-33010-	1-D7	22319-77010-	1-L7	-56011-	1-G7	-61051-	1-G8	-56100-	1-C6
19905-40010-	1-M5	21834-31140-	1-D7	22320-58030-	1-L7	23100-61050-	1-D8	23930-57011-	1-C8	27333-57060-	1-C6
21024-61010-	1-B7	21842-33010-	1-D7	22323-58010-	1-L7	23300-38010-	1-F8	23931-61010-	1-G8	27350-56140-	1-C6
21054-61020-	1-C7	21864-26020-	1-B7	-77010-	1-L7	-56040-	1-F8	23601-61040-	1-H8	-57061-	1-C6
-61140-	1-C7	21894-61020-	1-C7	22326-58010-	1-L7	23303-56031-	1-F8	23602-61030-	1-H8	27351-38051-	1-C6
21962-61021-	1-D7	21912-61020-	1-L6	22329-77021-	1-L7	23311-56040-	1-F8	25618-61011-	1-H8	-56013-	1-C6
-61060-	1-D7	-61032-	1-L6	-77130-	1-L7	23312-56021-	1-F8	25620-61071-	1-H8	27353-56090-	1-C6
21100-61102-	1-L6	22100-58030-	1-G7	22333-56040-	1-L7	23319-46010-	1-F8	25628-61020-	1-H8	27354-56020-	1-C6
-61140-	1-L6	-58031-	1-G7	22354-77050-	1-J8	-48010-	1-F8	-61031-	1-H8	27359-350-C-	1-C6
-61141-	1-L6	22102-77021-	1-M7	22355-36010-	1-L7	23338-56010-	1-F8	25631-61030-	1-H8	-65122-	1-C6
21112-61112-	1-B7	22103-48030-	1-M7	22361-76010-	1-L7	23351-46010-	1-F8	25680-61030-	1-I8	-45140-	1-C6
-61140-	1-B7	22104-77020-	1-M7	22362-76010-	1-L7	-56010-	1-F8	25709-61010-	1-Q5	27362-61100-	1-C6
21145-61010-	1-B7	22105-38010-	1-M7	22363-76010-	1-L7	23353-46010-	1-F8	25710-61021-	1-C5	-70010-	1-C6
21191-61140-	1-B7	22106-46010-	1-M7	22364-76010-	1-L7	-56010-	1-F8	25716-61011-	1-C5	-70011-	1-C6
21192-61020-	1-B7	22114-48030-	1-M7	22365-76010-	1-L7	23600-56011-	1-E7	25870-61011-	1-I8	27370-57100-	1-C6
21205-61011-	1-B7	22115-77020-	1-M7	22366-76010-	1-L7	-68010-	1-E7	26100-56020-	1-J8	27371-31011-	1-D6
21209-33011-	1-B7	22116-46010-	1-M7	22367-76010-	1-L7	23618-56010-	1-E7	-58021-	1-J8	-56070-	1-D6
21271-61061-	1-B7	22131-77020-	1-M7	22408-68010-	1-L7	23619-46010-	1-E7	26102-58020-	1-J8	27372-31011-	1-D6
-61140-	1-B7	22142-7-020-	1-M7	22442-77130-	1-L7	23620-56010-	1-E7	-58021-	1-J8	-56070-	1-D6
21272-61140-	1-B7	22143-77020-	1-I7	-77131-	1-L7	-63010-	1-E7	26112-56050-	1-J8	27388-57060-	1-C6
21273-30052-	1-B7	22144-46010-	1-I7	22449-48030-	1-M7	23624-37011-	1-E7	26113-56050-	1-J8	27410-15830-	1-D6
38010-	1-B7	22145-46010-	1-I7	22457-58010-	1-L7	-56020-	1-E7	-58020-	1-J8	-41080-	1-D6
-61140-	1-B7	22146-56010-	1-I7	22501-77021-	1-A8	23628-46010-	1-E7	-58021-	1-J8	-54030-	1-D6
21291-34320-	1-B7	22147-77020-	1-I7	22510-56040-	1-A8	23629-46010-	1-E7	-68012-	1-J8	27411-57060-	1-D6
21301-61023-	1-B7	22148-46010-	1-I7	22512-77020-	1-A8	23631-46010-	1-E7	26114-76010-	1-J8	-57061-	1-D6
-61050-	1-B7	22149-76010-	1-I7	22513-77020-	1-A8	23632-46010-	1-E7	26115-76010-	1-J8	-60032-	1-D6
21304-61060-	1-B7	22150-67010-	1-M7	22515-77021-	1-A8	23633-46010-	1-F7	26116-76010-	1-J8	27412-31040-	1-C6
21313-11020-	1-B7	22155-76010-	1-I7	22518-56010-	1-A8	23634-46010-	1-F7	26118-48014-	1-K8	-45070-	1-B6
21314-11020-	1-B7	22156-76010-	1-I7	-56011-	1-A8	23635-46010-	1-F7	26119-56030-	1-K8	-56040-	1-B6
21346-61140-	1-B7	22157-48023-	1-I7	-56012-	1-A8	23636-46010-	1-F7	26124-56030-	1-K8	-57060-	1-C6
21351-34030-	1-B7	22161-76010-	1-I7	-56013-	1-A8	23637-46010-	1-F7	-58020-	1-K8	27441-34030-	1-D6
21353-61020-	1-C7	22162-76010-	1-I7	-77020-	1-A8	23638-46010-	1-F7	-58021-	1-K8	-45110-	1-D6
21392-61020-	1-C7	22163-76010-	1-I7	22519-48010-	1-A8	23639-46010-	1-F7	26131-58020-	1-K8	-54040-	1-D6
21538-31010-	1-C7	22164-76010-	1-I7	22521-77021-	1-A8	23641-46010-	1-F7	-58022-	1-K8	-56090-	1-D6
21611-22010-	1-C7	22165-76010-	1-I7	22522-77020-	1-B8	23642-46010-	1-F7	-58023-	1-K8	27700-13060-	3-E8
21614-60200-	1-C7	22166-76010-	1-I7	22524-77021-	1-B8	23643-46010-	1-F7	-58024-	1-K8	-38100-	3-E8
21617-30010-	1-C7	22173-46010-	1-I7	22525-77020-	1-B8	23644-46010-	1-F7	26132-56010-	1-K8	-57030-	3-E8

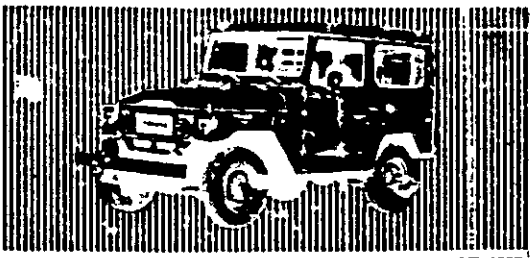
I. MODELS COVERED & CHARACTERISTICS  
Vehicle Appearance

C15

TOYOTA LAND CRUISER (Softtop No. 8008-8410) (Hardtop No. 8008-8410) (Production from Aug., '80 up to Oct., '84)

Hardtop:

(8008-8410)



MP 1385



# MARK & ABBREVIATION LIST

3

Mark	Definition	Mark	Definition
PTO	Power Take-off	TOYO	Toyo Rubber Industrial Company Limited
P/V	Proportioning Valve	TOYOTA	Toyota Motor Corporation
R	Ratio	TP	Vinyl Softtop (T-moulin)
RB	With Roll bar	TPS	Vinyl Softtop (Tan-aulin)
RCE	Regular Cab	TR	Truck (Pickup)
REP	Repair	TVSV	Thermostatic Vacuum Switch Valve
RH	Right-hand	TVTV	Thermostatic Vacuum Transmitting Valve
RHD	Right-hand Drive	UPR	Upper
RR	Rear	U/S	Undertray
S	Screw Length (mm)	USA	For the United States of America
SD	Swing Door	V	Van Hardtop
SDX	Super Deluxe type	V	Volts
SED	Sedan	VCV	Vacuum Control Valve
SL	SL type	VKC	Van Hardtop, with swing type back door
SM-SP	Semi Separate Seat	VL	Vinyl Leatherette
SAG	Speedometer Gear	VLC	Van Hardtop, with lift up and swing out back door
SP	Separate Seat	VLS	Van Hardtop, with lift up and swing out back door
SP-BN	Split Bench Seat	VSV	Vacuum Switching Valve
SPEC	Specification	VTV	Vacuum Transmitting Valve
SPL	Special type	W	Watts
SPR	Supra (CELICA Supra)	W/	With
SR	SR type	WC	Water Cylinder
SR5	SR-5 type	WD	Wheel diameter (mm)
S/S	Semi-soft	WG	Station Wagon (V)
SSV	Super Soft Vinyl Leather	WGG	Station Wagon (G)
ST	ST type	WO	Without
STJ	Standard type	WPB	With Passive Belt
STRG	Steering	WSW	White Side Wall Tire
SUM TOMO	Sumitomo Electric Industry Company Limited	W/T	With Tube
SW	Switch	XTR	Xtra Cab
T	Thickness (mm)	YAZAKI	Yazaki Corporation
TI	Truck (Pickup, low load) 1 side	YOKOHAMA	The Yokohama Rubber Company Limited
TAKATA	Takata Corporation	YUASA	Yuasa Battery Company Limited
TANAKA	Tanaka Instrument Company Limited (T.N.K.)		
TEN	Fujitsu Company Limited		
T/L	Tubeless		
TMC	TOYOTA MOTOR CORPORATION		
TOKAIRIKA	Tokai Rika Company Limited		
TOKIKO	Tokiko Company Limited		
TOSHIBA	Tokyo Shibaura Electric Company Limited		

(2) Abbreviations Under Heading "R/P and QTY" in Text

Heading	Mark	Definition
R/P	#	Old parts number (Old)
	X	Modified old parts number which has been substituted by a multiple of parts and/or if substituted parts are specified by applicable models or other determining specifications, refer to SUBSTITUTE SUPPLY PARTS (LCT) (SPL) for detailed information (Old)
	7	New main part number of set substitution (New)
	*	Part number to be attached to main part (New)
QTY	33	Required quantity

(3) CHANGES TO TEXT & APPENDICES

Certain codes are used to indicate changes to the text and/or appendix. These codes appear in the marginal area of the affected page as follows:

CODE	LOCATION	EXPLANATION
C	Text	Changes of Parts Number, Model and Production Date.
N	Appendix Text & Appendix	Newly available Toyota Part Number.
S	Appendix Text & Appendix	Part application expanded to include other vehicle model(s).

(U.S.A. 2/2)



FIG. 33-05

## GENUINE TOYOTA PARTS

2-D2

## GENUINE TOYOTA PARTS

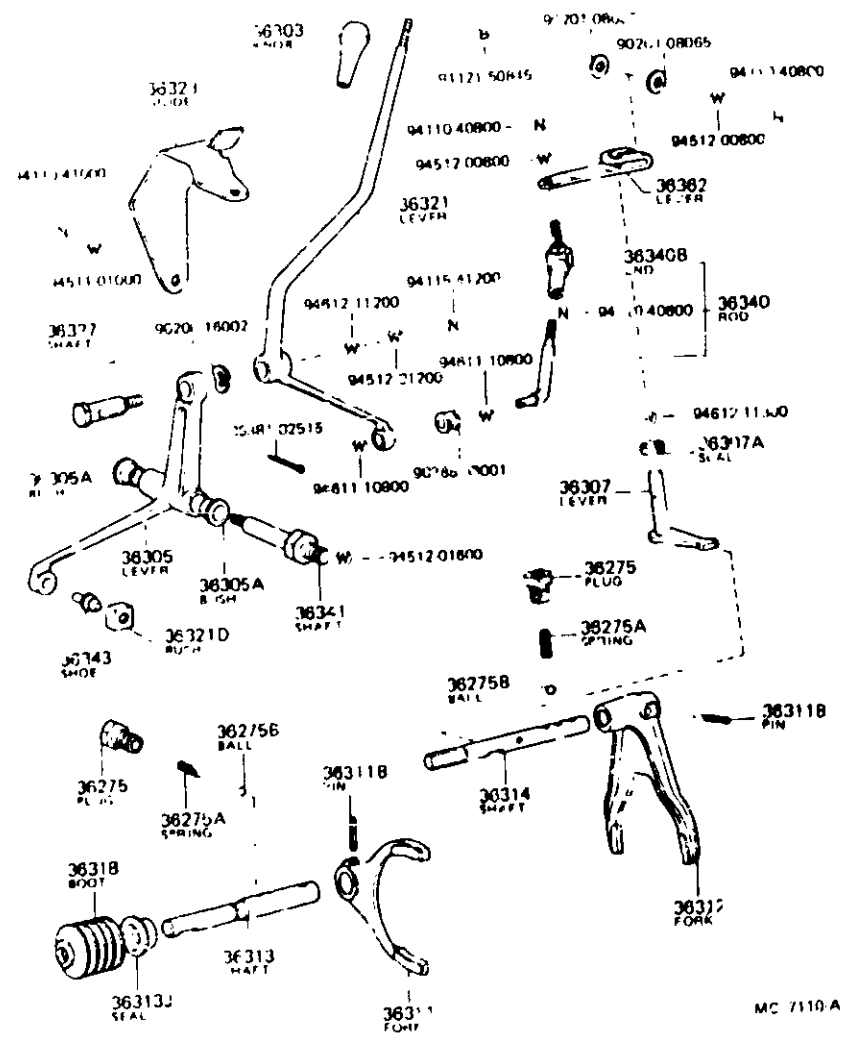
PROD. DATE	MODELS	DESCRIPTION	PART NUMBER	QTY	REV. REF. CODE		PROD. DATE	MODELS	DESCRIPTION	PART NUMBER	QTY	REV. REF. CODE	
					FROM	UP TO						FROM	UP TO
	↔ 334112 ↔	NUT (FOR COUNTER GEAR SHAFT)											
8210-8410	BJ42		90179-26002-	1	19	80							
	↔ 33411H ↔	BEARING OR ROLLER (FOR COUNTER GEAR BEAR)											
8210-8410	BJ42		90365-40001-	1	19	80							
8008-8309	BJ42, FJ40, 4F		90365-32010-	1	1								
	↔ 33411R ↔	RING, SHAP. COUNTER GEAR REAR BEARING											
8008-8309	BJ42, FJ40, 4F		90520-29099-	1	1								
	↔ 33421 ↔	GEAR, COUNTER											
8210-8410	BJ42		33421-36040-	1	19	80							
8008-8204	BJ42, FJ40		33411-60041-	1	1	22							
8204-8309	BJ42, FJ40, 4F		33411-60042-	1	23								
	↔ 33428 ↔	GEAR, COUNTER SHAFT 5TH											
8210-8410	BJ42		33046-60010-	1	19	80							
	↔ 33428S ↔	BEARING (FOR COUNTER 5TH GEAR)											
8210-8410	BJ42		90364-32007-	1	19	80							
	↔ 33451 ↔	SHAFT, REVERSE IDLER GEAR											
8008-8410	BJ42, FJ40		33451-36022-	1	1	80							
	↔ 33451A ↔	KEY, WOODRUFF (FOR REVERSE IDLER GEAR SHAFT)											
8008-8210	BJ42, FJ40		95161-10322-	1	1	18							
8210-8410	BJ42, FJ40		90280-07015-	1	19	80							

FIG. 36-11 TRANSFER LEVER & SHIFT ROD

2-D3

GEN UINE TOYOTA PARTS

(3003- )



PROD. DATE	MODEL	DESCRIPTION	PART NUMBER	REV. REF. CODE		
				REV.	FROM	UP TO
FIG. 36-11 TRANSFER LEVER & SHIFT ROD						
8008-8410	BJ42, FJ40	PLUG, SHAFT DETENT BALL SPRING	90341-1500-	2	1	80
8008-8410	BJ42, FJ40	SPRING, COMPRESSION FOR SHIFT DETENT BALL	90501-14020	2	1	80
8008-8410	BJ42, FJ40	BALL, SHIFT DETENT	90360-10003-	2	1	80
8008-8410	BJ42, FJ40	KNOB SUB-ASSY, SHIFT LEVER	36303-1080-	1		80
8210-8410	BJ42	LEVER SUB-ASSY, FRONT DRIVE SHIFT LINK	36337-60030-	1	19	80
8008-8309	BJ42, FJ40, ...		36337-60040-	1	1	
8008-8410	BJ42, FJ40	BUSH (FOR FRONT DRIVE SHIFT LINK LEVER)	36324-60050-	2	1	80
8008-8410	BJ42, FJ40	LEVER SUB-ASSY, HIGH & LOW SHIFT INNER	36307-60030-	1		80
8008-8410	BJ42, FJ40	BEAL, JIL (FOR HIGH & LOW SHIFT INNER LEVER)	90313-13001-	1	1	80
8008-8210	BJ42, FJ40	FORK, TRANSFER GEAR SHIFT, NO.1	36311-60040- (36311-60041-)	1	1	1.1
8210-8410	BJ42, FJ40		36311-60041-	1	19	40
8008-8410	BJ42, FJ40	PIN, SLOTTED SPRING (FOR SHIFT FORK)	90254-05004-	1	1	83
8308-8410	BJ42, FJ40	L=25.5, D=5 φ2	90254-05016-	2	1	80
8008-8410	BJ42, FJ40	FORK, TRANSFER GEAR SHIFT, NO.2	36312-60030-	1	1	80

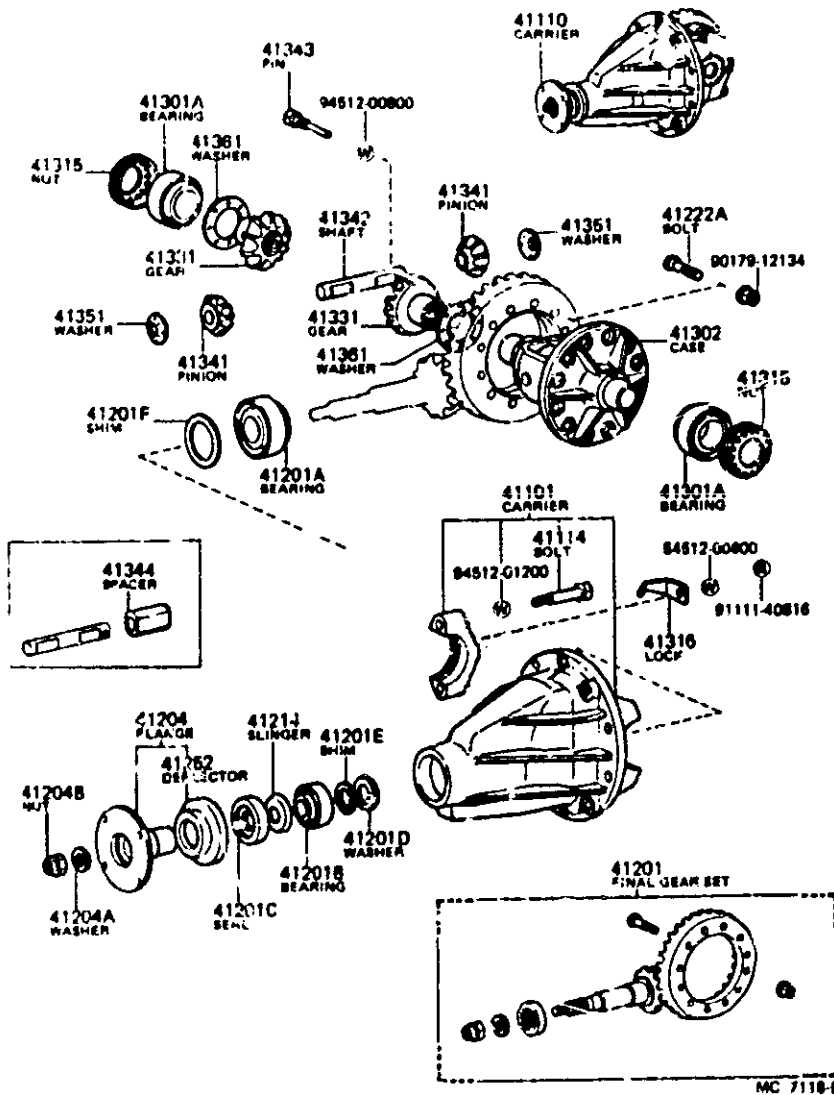
FIG.41-01 REAR AXLE HOUSING & DIFFERENTIAL

2-14

GENUINE TOYOTA PARTS

(8098- )

ILLUST-NO. 20F2



MO. DATE	MODELS	DESCRIPTION	P.	PART NUMBER	REV. INCL. CODE FROM UP TO
FIG.	41-01 REAR AXLE HOUSING & DIFFERENTIAL				
	41101	CARRIER SUB-ASSY, DIFFERENTIAL REAR			
8001-8410	BJ42,FJ40			41101-60021-	1 1 80
	41110	CARRIER ASSY, DIFFERENTIAL, REAR			
8408-8410	BJ42	XAXC=K082, XFGR=37:9		41110-60317-	1 83 80
8008-8408	BJ42,FJ40..CND	XAXC=K082, XFGR=37:9		41110-60016-	1 1 82
8008-8309	FJ40	XAXC=K052, XFGR=37:10		41110-60076-	1 1 1
	41110A	BOLT (FOR REAR DIFFERENTIAL CARRIER SET)			
8008-8212	BJ42,FJ40	L=37, B=12 & 16		90116-10103-	1 1 1
8008-8212	BJ42,FJ40	L=50, B=12 & 18		90116-10104-	2 1 1
8008-8212	BJ42,FJ40	L=52, B=12 & 15, COVER		90116-10107-	10 1 1
8212-8410	BJ42,FJ40	L=40.5, B=1 2.5 & 10		90116-10074-	6 1 80
8212-8410	BJ42,FJ40	L=53.5, B=1 2.5 & 18		90116-10075-	2 1 80
8212-8410	BJ42,FJ40	L=35.5, B=1 2.5 & 15		90116-10076-	10 1 80
	41114	BOLT, REAR DIFFERENTIAL BEARING GAP			
8008-8410	BJ42,FJ40			41114-35010-	4 1 80
	41201	FINAL GEAR SET, DIFFERENTIAL, REAR			
8008-8410	BJ42,FJ40..CND	XAXC=K082, XFGR=37:9		41201-69105-	1 1 80
8008-8309	FJ40	XAXC=K052, XFGR=37:10		41201-69095-	1 1 1
	41201A	BEARING, TAPERED ROLLER (FOR REAR DRIVE PINION REAR)			
8008-8101	BJ42,FJ40			# 97419-30308- (90366-40004-)	1 1 1
8101-8410	BJ42,FJ40			90366-40004-	1 1 80

\*AXC - Axle Code (Stated in TRANS/AXLE Column of Name Plate)

\*FGR - Final Gear Ratio

MC 7118-B

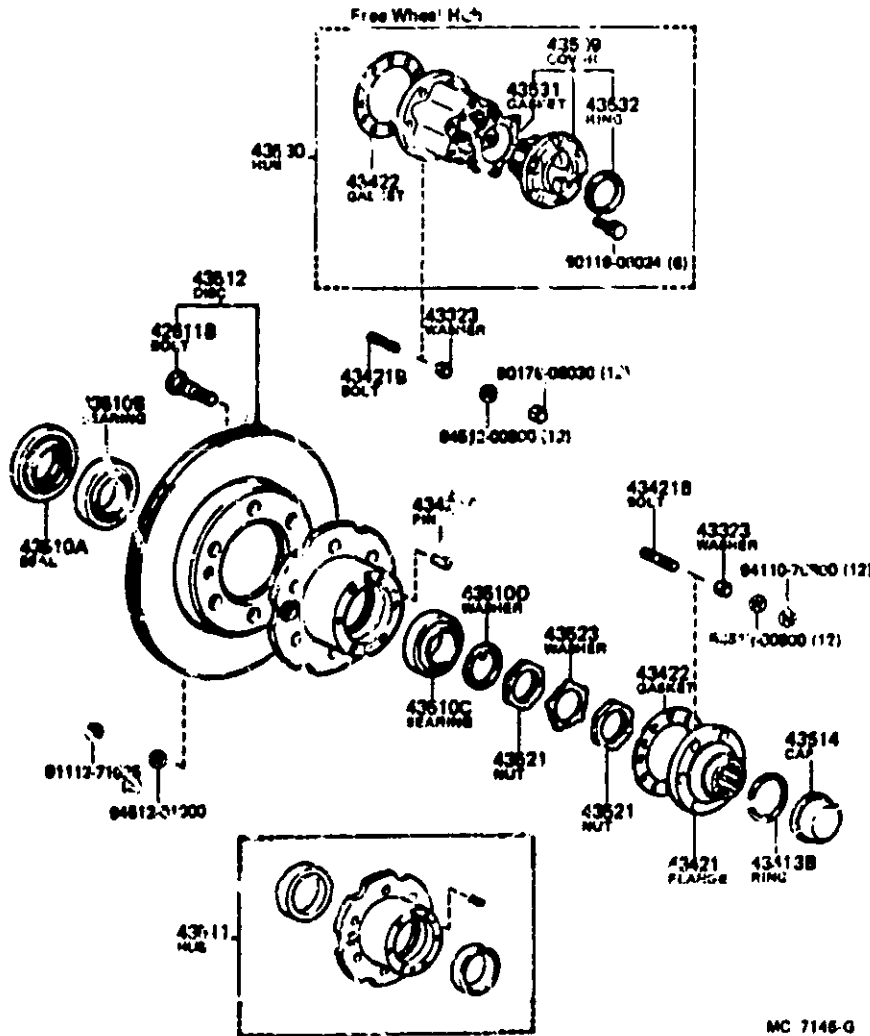
FIG. 43-03 FRONT AXLE HUB

2-D5

GENUINE TOYOTA PARTS

(8008-

Disc Brake



PRD. DATE	MODELS	DESCRIPTION	PART NUMBER	REV. REF. CODE	
				FROM	UP TO
FIG.	43-03 FRONT AXLE HUB				
8008-8410	BJ42-FJ40	BOLT, HUB (FOR FRONT AXLE)	8 90942-02044- 190942-02053-	12	1 80
8008-8410	BJ42-FJ40	WASHER, CONE (FOR FRONT AXLE SHAFT)	42323-60010-	12	1 80
8008-8410	BJ42-FJ40	RING, DRIVE SHAFT SNAP	9052-31001-	2	1 80
8008-8410	BJ42-FJ40	FLANGE, AXLE OUTER SHAFT	43421-60013-	2	1 80
8008-8410	BJ42-FJ40	FIN, STRAIGHT (FOR OUTER SHAFT FLANGE)	90250-77057-	4	1 80
8008-8410	BJ42-FJ40	BOLT, STUD (FOR OUTER SHAFT FLANGE)	90116-08325-	12	1 80
8008-8410	BJ42-FJ40	GASKET, AXLE OUTER SHAFT FLANGE	43422-60010-	1	1 80
8008-8410	BJ42-FJ40	COVER SUB-ASSY, FREE WHEEL HUB	43509-60013-	2	1 80
8110-8410	BJ42-FJ40		43509-60015-	2	7 80
8008-8410	BJ42-FJ40	SEAL, OIL (FOR FRONT AXLE HUB)	90311-62001-	2	1 80
8008-8410	BJ42-FJ40	BEARING, TAPERED ROLLER (FOR FRONT AXLE INNER BEARING)	90368-49084-	2	1 80
8008-8410	BJ42-FJ40	BEARING, TAPERED ROLLER (FOR FRONT AXLE OUTER BEARING)	90368-45087-	2	1 80
8008-8410	BJ42-FJ40	WASHER, CLAW (FOR STEERING KNUCKLE WASHER)	90214-42030-	2	1 80

MC 7148-G

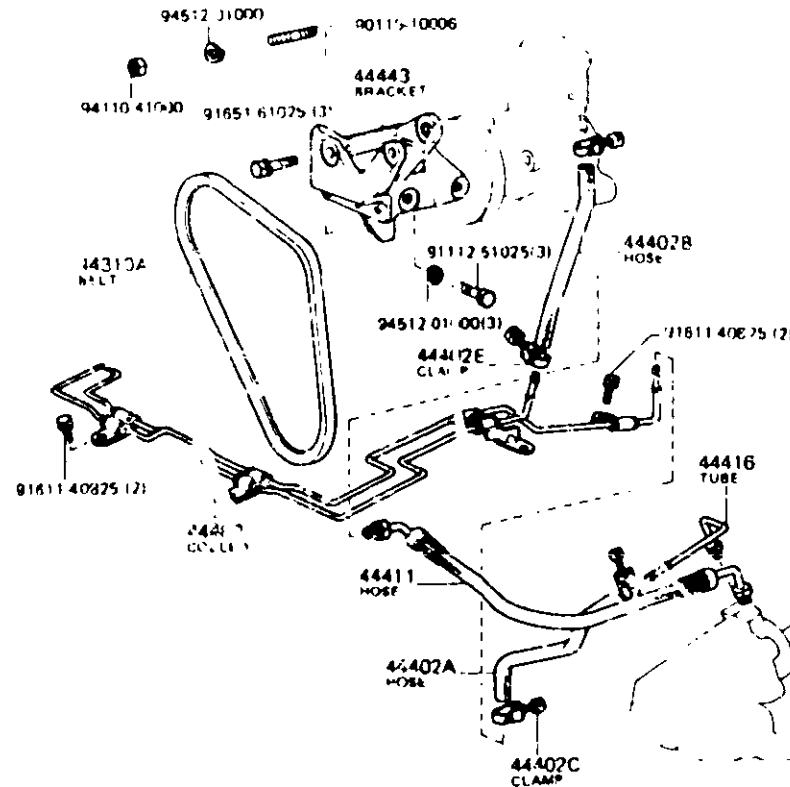


FIG. 45-03 OIL COOLER & TUBE

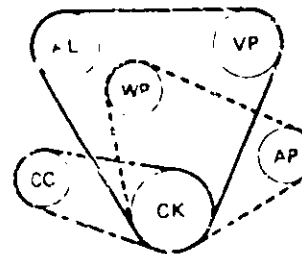
2-D6

GENUINE TOYOTA PARTS

(8008-8309)FJ40..USA



V belt application chart



- AL Alternator
- AP Air Pump
- CC Cooler Compressor
- CK Crankshaft
- VP Vane Pump
- WP Water Pump

P.N.C.	FIG. NO.
44310A	45-03
17610B	17-05
88310A	87-19

MC 45-18

PROD. DATE	MODELS	DESCRIPTION	R/P	PART NUMBER	REV. NO. CODE	
					FROM	UP TO
FIG. 45-03	OIL COOLER & TUBE					
		44310A BELT, V (FOR VANE PUMP)				
8210-8410	BJ42			99343-1151J-	1	19 80
8308-8310	FJ40..CND			90916-02 89-	1	1 6
8008-8309	FJ40..USA			99343-11510-	1	1 1
		44350 PULLEY ASY., POWER STEERING IDLE				
8210-8410	BJ42			44510-60010-	1	19 80
		44355 BRACKET, POWER STEERING IDLE PULLEY				
8210-8410	BJ42			4381-60011-	1	19 80
		44402 COOLER SUB-ASSEMBLY, OIL				
8008-8309	FJ40..USA			44420-60031-	1	1 1
		44402A HOSE, POWER STEERING OIL COOLER INLET				
8008-8309	FJ40..USA			90445-18104-	1	1 1
		44402B HOSE, POWER STEERING OIL COOLER OUTLET				
8008-8309	FJ40..USA			90445-18105-	1	1 1
		44402C CLAMP, POWER STEERING OIL COOLER INLET HOSE				
8008-8309	FJ40..USA			90460-01001-	2	1 1
		44402E CLAMP, POWER STEERING OIL COOLER OUTLET HOSE				
8008-8309	FJ40..USA			90460-01001-	2	1 1
		44411 HOSE, PRESSURE FEED				
8008-8110	FJ40..CND	GEAR SIDE		44411-60080-	1	1 6
8008-8310	FJ40..CND	PUMP SIDE		44411-60090-	1	1 5
8008-8309	FJ40..USA			44411-60030-	1	1 1
		44413 TUBE, PRESSURE FEED				
8210-8410	BJ42			44410-60060-	1	19 80
8008-8310	FJ40..CND			44410-60021-	1	1 6

FIG. 47-03

## GENUINE TOYOTA PARTS

2-07

## GENUINE TOYOTA PARTS

PROD. DATE	MODELS	DESCRIPTION	PART NUMBER	QTY	REV. REF. CODE		PRD. DATE	MODELS	DESCRIPTION	PART NUMBER	QTY	REV. REF. CODE		
					FROM	UP TO						FROM	UP TO	
	44556	GROMMET, CHECK VALVE						44757A	TUBE, VACUUM RESERVOIR TO BRAKE BOOSTER					
8008-8410	BJ42, FJ40		90480-24517-	1	1	80	8008-8410	BJ42		44768-60041-	1	1	90	
	44704	RESERVOIR SUB-ASSY, VACUUM						44767C	HOSE (FOR VACUUM RESERVOIR TO BRAKE BOOSTER)					
8008-8410	BJ42		44704-30920-	1	1	80	8008-8011	BJ42	RESERVOIR SIDE	90445-17008- (95441-09500-)	1	1		
	44730	VALVE ASSY, VACUUM CHECK (FOR BRAK. VACUUM)						8011-8308	BJ42	RESERVOIR SIDE	90445-17855-	1		
8008-8410	BJ42, FJ40		44730-2205-	1	1	80	8008-8410	BJ42	BOOSTER SIDE	90445-17908-	1	1	10	
	44730F	UNION, VACUUM HOSE (FOR MANIFOLD SIDE)						8308-8410	BJ42	RESERVOIR SIDE	44779-60010-	1		80
8008-8309	FJ40		90404-51057-	1				44774D	HOSE, UNION TO WAY					
8008-8309	FJ40	W/AIR COND. ITIONER	90404-51038-	1	1			8008-8110	BJ42		90445-17927-	1		80
	44730J	WAY (FOR BOOSTER VACUUM)						8110-8410	BJ42		90445-17038-	1		80
8008-8410	BJ42		90412-09006-	1	1	80		44777	CONNECTOR, VACUUM HOSE					
	44743	UNION (FOR VACUUM PUMP)						8006-8309	FJ40		44763-60020-	1	1	
8008-8410	BJ42		90405-09041-	1	1	80		44778	HOSE, CONNECTOR TO CHECK VALVE					
	44756	BRACKET, VACUUM RESERVOIR						8008-8309	FJ40		90445-17044-	1	1	
8008-8410	BJ42		44756-60010-	1	1	80		44778A	CLIP (FOR CONNECTOR TO CHECK VALVE HOSE)					
	44756	BRACKET, VACUUM CHECK VALVE						8008-8309	FJ40		90445-1A141-	2	1	
8008-8410	BJ42		44758-30040-	1		80		44779	HOSE, UNION TO CONNECTOR					
	44764J	TUBE, CONNECTOR TO VACUUM RESERVOIR						8008-8309	FJ40		44773-20020-	1	1	
8008-8410	BJ42		44764-60040-	1	1	80		44779A	CLIP (FOR UNION TO CONNECTOR HOSE)					
	44764Q	HOSE (FOR CONNECTOR TO VACUUM RESERVOIR TUBE)						8008-8309	FJ40		90467-1A141-	2	1	
8008-8211	BJ42	RESERVOIR SIDE	90445-17008- (95441-09500-)	1	1									
8211-8308	BJ42	RESERVOIR SIDE	95441-09500-	1										
8008-8410	BJ42	WAY SIDE	90445-17800-	1	1	80								
8308-8410	BJ42	RESERVOIR SIDE	44779-60020-	1		80								

FIG. 48-03

## GENUINE TOYOTA PARTS

2-D8

## GENUINE TOYOTA PARTS

PROD. DATE	MODELS	DESCRIPTION	PART NUMBER	QTY	REV. NO. CODE		PROD. DATE	MODELS	DESCRIPTION	PART NUMBER	QTY	REV. NO. CODE	
					FROM	UP TO						FROM	UP TO
FIG.	8-05	FRONT SPRING & SHOCK ABSORBER											
	48110	SPRING ASSY. FRONT, RH	48110-60062-	1	1	80							
8008-8410	BJ42-FJ40												
	48117A	BUSH (FOR FRONT SPRING SHACKLE)	90389-18002-	8	1	80							
8008-8410	BJ42-FJ40												
	48110B	BUSH (FOR FRONT SPRING PIN)	90397-18007-	4	1	80							
8008-8410	BJ42-FJ40												
	48110K	SHACKLE KIT, FRONT SPRING	04581-60020-	2	1	80							
8008-8410	BJ42-FJ40												
	48110L	PIN KIT, FRONT SPRING	04482-60040-	2	1	80							
8008-8410	BJ42-FJ40												
	48111	LEAF, FRONT SPRING, NO. 1											
8008-8410	BJ42-FJ40	MITSUBISHI	48111-60012-	2	1	80							
8008-8410	BJ42-FJ40	CHUO HATSU JO	48111-60180-	2	1	80							
	48117	LEAF, FRONT SPRING, NO. 2											
8008-8410	BJ42-FJ40	MITSUBISHI	48112-60062-	2	1	80							
8008-8410	BJ42-FJ40	CHUO HATSU JO	48112-60180-	2	1	80							
	48113	LEAF, FRONT SPRING, NO. 3											
8008-8410	BJ42-FJ40	CHUO HATSU JO	48102-60180-	2	1	80							
8008-8410	BJ42-FJ40	MITSUBISHI	48113-60062-	2	1	80							
	48114	LEAF, FRONT SPRING, NO. 4											
8008-8410	BJ42-FJ40	MITSUBISHI	48102-60062-	2	1	80							
8008-8410	BJ42-FJ40	CHUO HATSU JO	48114-60180-	2	1	80							
	48115	LEAF, FRONT SPRING, NO. 5											
8008-8410	BJ42-FJ40	CHUO HATSU JO	48103-60180-	2	1	80							
	48115	LEAF, FRONT SPRING, NO. 5											
8008-8410	BJ42-FJ40	CHUO HATSU JO	48103-60180-	2	1	80							
	48115	LEAF, FRONT SPRING, NO. 5											
8008-8410	BJ42-FJ40	CHUO HATSU JO	48103-60180-	2	1	80							
	48116	LEAF, FRONT SPRING, NO. 6											
8008-8410	BJ42-FJ40	MITSUBISHI	48116-60063-	2	1	80							
8008-8410	BJ42-FJ40	CHUO HATSU JO	48116-60180-	2	1	80							
	48117	LEAF, FRONT SPRING, NO. 7											
8008-8410	BJ42-FJ40	MITSUBISHI	48117-60067-	2	1	80							
8008-8410	BJ42-FJ40	CHUO HATSU JO	48117-60180-	2	1	80							
	48120	SPRING ASSY. FRONT, LH											
8008-8410	BJ42-FJ40		48110-60062-	1	1	80							
	48141	CLIP, FRONT SPRING, NO. 1											
8008-8410	BJ42-FJ40	MITSUBISHI	48141-60062-	4	1	80							
8008-8410	BJ42-FJ40	CHUO HATSU JO	48141-60081-	4	1	80							
	48142	CLIP, FRONT SPRING, NO. 2											
8008-8410	BJ42-FJ40	CHUO HATSU JO	48142-60081-	2	1	80							
	48147	BOLT, FRONT SPRING, CENTER											
8008-8410	BJ42-FJ40	MITSUBISHI	48147-60061-	2	1	80							
8008-8410	BJ42-FJ40	CHUO HATSU JO	48247-56020-	2	1	80							
	48147A	NUT, FRONT SPRING CENTER BOLT											
8008-8410	BJ42-FJ40	MITSUBISHI	48284-60062	2	1	80							
8008-8410	BJ42-FJ40	CHUO HATSU JO	94110-41000-	2	1	80							
	48331	BUMPER, FRONT SPRING, NO. 1											
8008-8410	BJ42-FJ40	LH	48304-60010-	1	1	80							
8008-8410	BJ42-FJ40	RH	48304-60070-	1	1	80							

28011 - 33226

D14

33232 - 38192

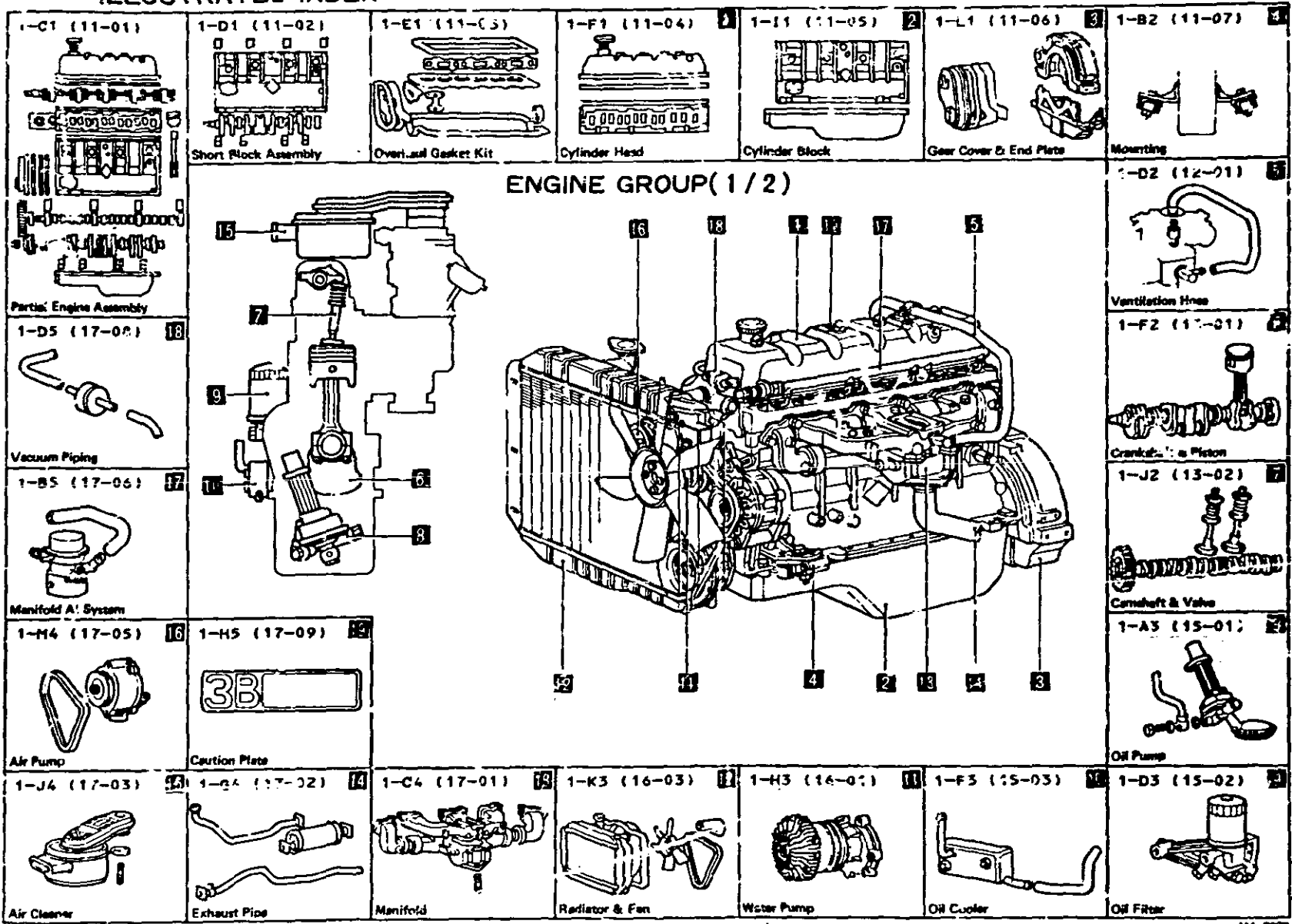
PART NUMBER	LOCATION	PART NUMBER	LOCATION	PART NUMBER	LOCATION	PART NUMBER	LOCATION	PART NUMBER	LOCATION	PART NUMBER	LOCATION
28011-26042-	1-F6	28550-57020-	3-E8	31321-36010-	2-D1	33232-60010-	2-G2	33541-60081-	2-J2	36327-60040-	2-E1
-54010-	1-F6	28571-56130-	3-B		2-L6	33241-60040-	2-G2	-60160-	2-J2	36337-60040-	2-D3
-60041-	1-F6	28579-57030-	3-B	31402-35010-	2-E1	-60050-	2-G2	33548-60010-	2-E3	-60060-	2-D3
28100-56070-	1-F6	28590-57070-	3-B	31410-35050-	2-E1	33242-60010-	2-G2	-60020-	2-J2	36340-60050-	2-E3
-60042-	1-F6	28510-46000-	3-E8	31426-25000-	2-E1	-60030-	2-G2	33553-60010-	2-J2	-60060-	2-E3
-60062-	1-F5	-46041-	3-E8	31440-35000-	2-E1	33243-60031-	2-G2	33554-60010-	2-J2	36341-60030-	2-E3
-60070-	1-F6	-54180-	3-E8	31451-30030-	2-E1	-60070-	2-G2	-60021-	2-J2	-60031-	2-E3
28110-60042-	1-F6	-57030-	3-E8	31453-30011-	2-E1	33244-60010-	2-G2	33555-55011-	2-J2	-60032-	2-E3
-60070-	1-F6	28611-54011-	3-E8	31454-30030-	2-E1	33245-60031-	2-G2	33621-60110-	3-B	36342-60020-	2-E3
28111-46011-	2-A4	28621-57010-	3-E8	31470-60050-	2-G1	33251-60021-	2-G2	33740-35011-	2-E3	36362-60011-	2-E3
-51011-	1-F6	-57011-	3-E8	-50081-	2-G1	-60040-	2-G2	36100-60952-	2-K2	36726-60010-	2-C3
28113-41011-	1-F6	28624-57010-	3-E8	-60110-	2-G1	33261-60030-	2-G2	36103-60010-	2-L2	-60020-	2-C3
28114-41011-	1-F6	28631-57010-	3-E8	31473-30020-	2-G1	33272-36011-	2-J2	-60011-	2-L2	37110-60260-	2-G2
28115-56080-	1-F6	23800-46012-	3-G7	-60061-	2-G1	33280-60010-	2-H2	36110-60160-	2-K2	-60280-	2-F3
28117-41020-	1-F6	-61010-	3-G7	-60090-	2-G1	33306-36016-	2-B2	-60161-	2-K2	-60281-	2-F3
28118-77090-	1-F6	28697-38010-	3-G7	31474-30020-	2-G1	-36020-	2-B2	-60162-	2-K2	37140-60090-	2-G3
28119-77090-	1-G6	29300-56070-	1-J6	31475-60020-	2-G1	33309-60010-	2-L2	-60270-	2-K2	-60150-	2-G3
28120-26070-	1-G6	-57011-	1-B	31476-40010-	2-G1	-60070-	2-L2	-60271-	2-K2	-60151-	2-G3
-42020-	1-G6	29311-76010-	1-J6	-60031-	2-G1	-60040-	2-L2	36117-60070-	2-K1	37302-36010-	2-G3
-77090-	1-G6	29331-56010-	1-J6	-60060-	2-G1	-60080-	2-L2	36119-60010-	2-M2	-60040-	2-G3
28121-42020-	1-G6	-56070-	1-J6	31478-30010-	2-E7	33311-60041-	2-B2	-60020-	2-B3	37305-25010-	2-G3
28123-41020-	1-G6	29369-54010-	1-J6		2-G1	-60060-	2-B2	36122-60040-	2-M2	-36010-	2-G3
28125-41020-	1-G6	-56070-	1-J6		2-H7	-60080-	2-B2	36124-60020-	2-M2	37315-36010-	2-G3
28126-33021-	1-F6	31104-60020-	1-A2	31479-60030-	2-G1	33318-36012-	2-B2	36128-60020-	2-M2	-36020-	2-G3
28130-34060-	1-G6	31111-60030-	1-M1	31481-60172-	2-D1	33321-60051-	2-B2	-60021-	2-M2	37341-30010-	2-F3
-41020-	1-G6	-60031-	1-M1	-60221-	2-D1	-60070-	2-B2	36132-60020-	2-M2		2-E4
-56080-	1-G6	-60032-	1-M1	33020-60903-	2-I1	33325-60010-	2-L2	36134-60020-	2-M2	37402-36060-	2-G3
-60042-	1-G6	-60070-	2-K1	33030-60231-	2-I1	-60020-	2-L2	36142-60030-	2-M2	-36080-	2-G3
28131-20010-	1-G6	31121-60021-	2-K1	-60232-	2-I1	33332-36012-	2-B2	36143-60020-	2-M2	38101-60040-	2-K3
28132-40010-	1-G6	31126-36030-	2-B1	-60330-	2-I1	-60020-	2-B2	36144-60020-	2-M2	38102-60040-	2-K3
28136-60010-	1-G6	-60021-	2-B1	-60380-	2-I1	33333-60020-	2-B2	36152-60030-	2-M2	38103-60040-	2-K3
28138-60010-	1-G6	31131-60010-	1-A2	33046-60010-	2-D2	-60030-	2-B2	36203-60020-	2-B3	38105-60040-	2-K3
28139-77090-	1-G6	31132-60020-	1-A2	33102-60020-	2-F2	33335-60011-	2-C2	-60021-	2-B3	-60041-	2-K3
28140-26070-	1-G6	31133-60020-	1-A2	33111-60040-	2-K1	-60020-	2-C2	36204-60031-	2-B3	38106-60040-	2-K3
-41020-	1-G6	31134-60020-	1-A2	-60041-	2-K1	33336-60010-	2-C2	-60040-	2-B3	38110-60040-	2-K3
-77090-	1-G6	31135-60020-	1-A2	-60060-	2-K1	33335-36020-	2-C2	-60041-	2-B3	-60041-	2-K3
28142-10011-	1-G6	31136-60010-	1-A2	-60070-	2-K1	33346-36010-	2-C2	36212-60040-	2-B3	-60050-	2-K3
-25011-	1-G6	31137-60010-	1-A2	33121-60090-	2-F2	33348-36012-	2-C2	-60041-	2-B3	-60051-	2-K3
28143-40010-	1-G6	31201-39097-	2-B1	33122-36011-	2-F2	33352-36021-	2-C2	36213-60020-	2-B3	38113-60040-	2-K3
-46012-	2-A4	-39115-	2-B1	33124-36010-	2-M2	33364-36051-	2-C2	36215-60030-	2-B3	38116-60010-	2-K3
28150-34080-	1-G6	-69026-	2-B1	33131-60020-	2-K1	33366-36020-	2-C2	36221-60041-	2-B3	38118-60040-	2-K3
-56070-	1-G6	-69027-	2-B1	-60030-	2-K1	33368-20012-	2-C2	-60050-	2-B3	38121-60040-	2-K3
-60040-	1-G6	31204-60030-	2-B1	33172-36010-	2-K1	33371-20010-	2-C2	-60051-	2-B3	38122-60040-	2-K3
-70060-	1-G6	-60050-	2-B1	33142-60020-	2-K1	33391-36010-	2-C2	36222-60010-	2-B3	38127-60040-	2-K3
28160-26070-	1-H6	31210-76072-	2-B1		2-M2	33394-36011-	2-C2	36225-60030-	2-B3	38131-60040-	2-K3
-41020-	1-H6	-36090-	2-B1	-60030-	2-M2	33395-36010-	2-C2	36231-60021-	2-B3	38133-60040-	2-K3
-77090-	1-H6	-60041-	2-B1	33151-60010-	2-K1	33398-36011-	2-C2	36234-60031-	2-C3	38134-60040-	2-L3
28162-41022-	1-H6	-60042-	2-B1	33201-36030-	2-F2	-36012-	2-C2	36235-60020-	2-C3	38137-60040-	2-L3
28163-40011-	1-H6	31216-36010-	2-B1	33202-36011-	2-G2	33402-36021-	2-C2	36237-60020-	2-C3	38143-60010-	2-L3
28165-26070-	1-H6	-40010-	2-B1	-60030-	2-G2	-36050-	2-C2	36251-60030-	2-C3	38151-60040-	2-L3
-77090-	1-H6	31221-39085-	2-B1	33203-60010-	2-G2	33403-60016-	2-L1	-60050-	2-C3	38152-60040-	2-L3
28166-41011-	1-G6	-39125-	2-B1	33211-36011-	2-F2	-69075-	2-L1	36303-60080-	2-D3	38153-60040-	2-L3
28172-41021-	1-H6	-69025-	2-B1	33212-36020-	2-F2	33404-30040-	2-L1	36307-60030-	2-D3	38182-60040-	2-L3
28199-77090-	1-G6	-60020-	2-B1	-60020-	2-F2	33411-60041-	2-D2	36311-60040-	2-D3	38183-60040-	2-L3
28222-77090-	1-H6	-60060-	2-B1	33213-60030-	2-F2	-67042-	2-D2	-60041-	2-D3	-60041-	2-L3
28228-26070-	1-H6	-60050-	2-B1	-60050-	2-F2	33421-36040-	2-C2	36312-60030-	2-D3	38184-60040-	2-L3
-56080-	1-H6	31232-60020-	2-B1	33214-60021-	2-F2	33451-36022-	2-J2	36313-60050-	2-E3	-60041-	2-L3
28229-26070-	1-H6	31236-36010-	2-B1	33222-36030-	2-F2	33481-60060-	2-B3	36314-60030-	2-E3	38185-60040-	2-L3
-56080-	1-H6	-60020-	2-B1	33223-36010-	2-F2	33485-36020-	2-L1	36318-60020-	2-E3	-60041-	2-L3
28253-45020-	1-H6	31238-60041-	2-B1	-36020-	2-F2	33504-22111-	2-J2	36321-60041-	2-E3	58186-60040-	2-L3
28254-45020-	1-H6	31250-36113-	2-B1	33225-36030-	2-F2	-60030-	2-J2	-60070-	2-E3	38187-60040-	2-L3
-77090-	1-H6	-60020-	2-B1	33226-36011-	2-F2	-60030-	2-J2	36323-60031-	2-E3	38191-60010-	2-L3
28300-56010-	3-E8	-60040-	2-B1	-60010-	2-F2	33506-60010-	2-J2	-60080-	2-E3	-60030-	2-L3
28300-56010-	3-E8	-60090-	2-B1		2-F2	33531-36040-	2-H2		2-E3		
28521-57010-	3-E8	31301-60052-	2-D1		2-G2			36324-60050-	2-D3	38192-60010-	2-L3

**I. MODELS COVERED & CHARACTERISTICS**
**D15**
**TOYOTA LAND CRUISER** <sup>Softtop</sup> Hardtop (Production from Aug., '80 up to Oct., '84)

Model	Engine	Production Period	Characteristic Expressions in Catalog Model Column						Model Name
			V	VKC	4F	RB	CND		
BJ42LV-KCJK	3B	8008-8210	V	VKC	4F	RB	CND		Hardtop
BJ42LV-MCJK	"	8210-8410	"	"	5F	"	"		"
FJ40L-KJA	2F	8008-8110	TP	TPS	4F	"	USA		Vinyltop
FJ40LV-KCJA	"	8008-8309	V	VKC	"	"	"		Hardtop
FJ40LV-KCJK	"	8008-8110	"	"	"	"	CND		"

- V Van (Hardtop)
- VKC Van (Hardtop), with Swing out back door
- TP Vinyl Softtop (Tarpaulin Softtop)
- TPS Vinyl Softtop (Tarpaulin Softtop), Standard type
- 4F 4-speed transmission, floor shift
- 5F 5-speed transmission, floor shift
- RB with Roll bar (with Safety bar)
- USA For United States of America
- CND For Canada

## ILLUSTRATED INDEX



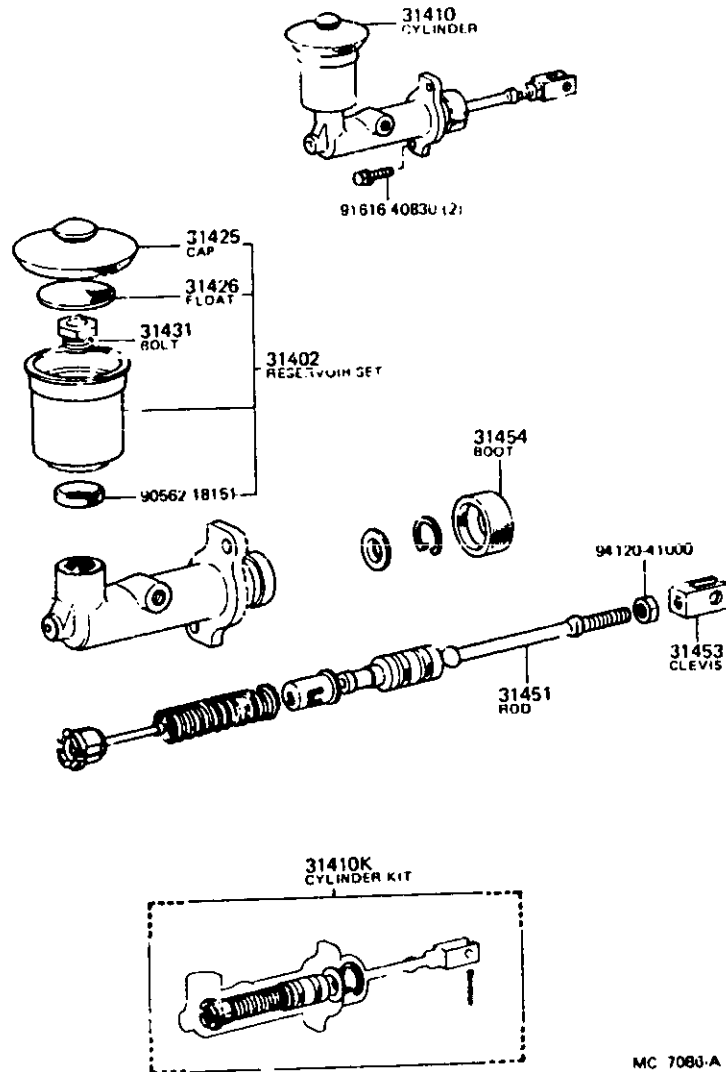
MA 9538

FIG.31-03 CLUTCH MASTER CYLINDER

2-E1

GENUINE TOYOTA PARTS

(8008- )



PROD. DATE	MODELS	DESCRIPTION	PART NUMBER	REV. REF. CODE	
				QTY	FROM TO
FIG.	31-03 CLUTCH MASTER CYLINDER				
8008-8410	BJ42,FJ40	RESERVOIR SET, MASTER CYLINDER (FOR CLUTCH MASTER CYLINDER)	31402-35010-	1	1 80
8008-8410	BJ42,FJ40	CYLINDER ASSY, MASTER (FOR CLUTCH MASTER)	31410-60050-	1	1 80
8008-8410	BJ42,FJ40	CYLINDER KIT, CLUTCH MASTER	04311-60030-	1	1 80
8008-8410	BJ42,FJ40	CAP, RESERVOIR FILLER	31425-35010-	1	1 80
8008-8410	BJ42,FJ40	FLOAT, CLUTCH MASTER CYLINDER RESERVOIR	31426-20010-	1	1 80
8008-8410	BJ42,FJ40	BOLT, CLUTCH MASTER CYLINDER RESERVOIR SET	47231-20010-	1	1 80
8008-8410	JJ42,FJ40	ROD, CLUTCH MASTER CYLINDER PUSH	31451-30030-	1	1 80
8008-8410	BJ42,FJ40	CLEVIS, MASTER CYLINDER PUSH ROD (FOR CLUTCH)	31453-50011-	1	1 80
8008-8410	BJ42,FJ40	BOOT, CLUTCH MASTER CYLINDER	31454-30030-	1	1 80

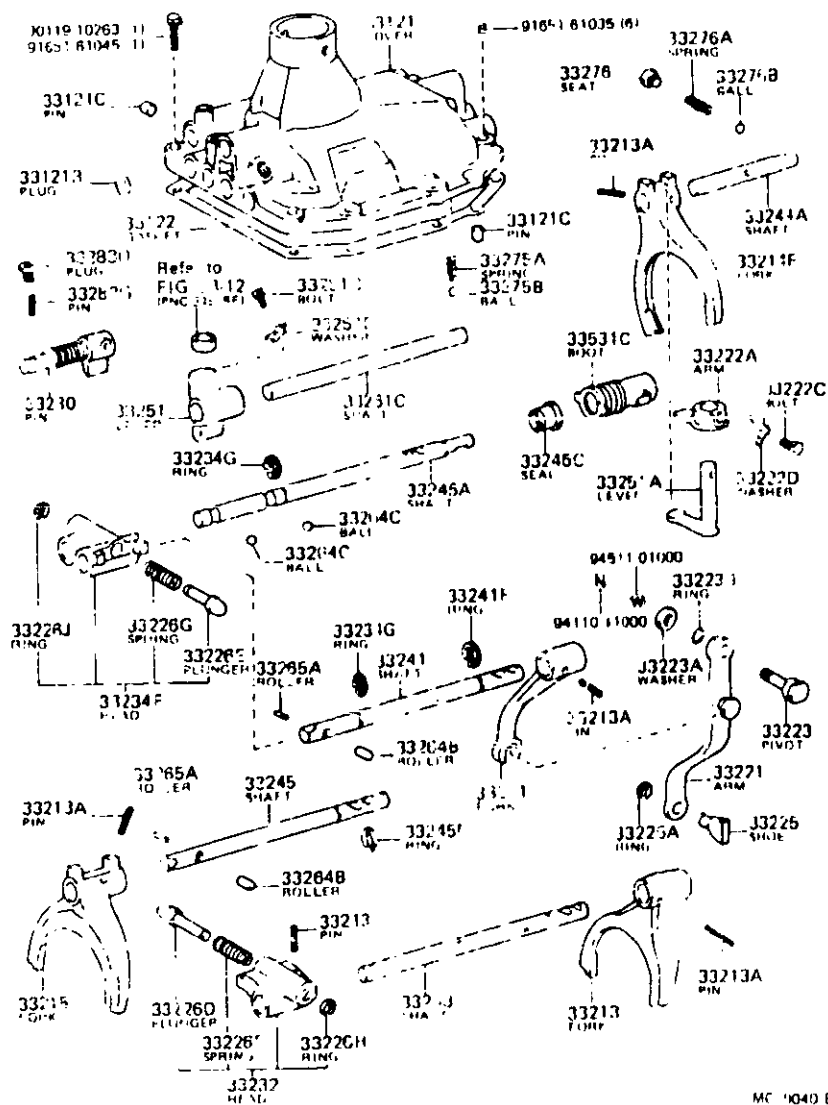
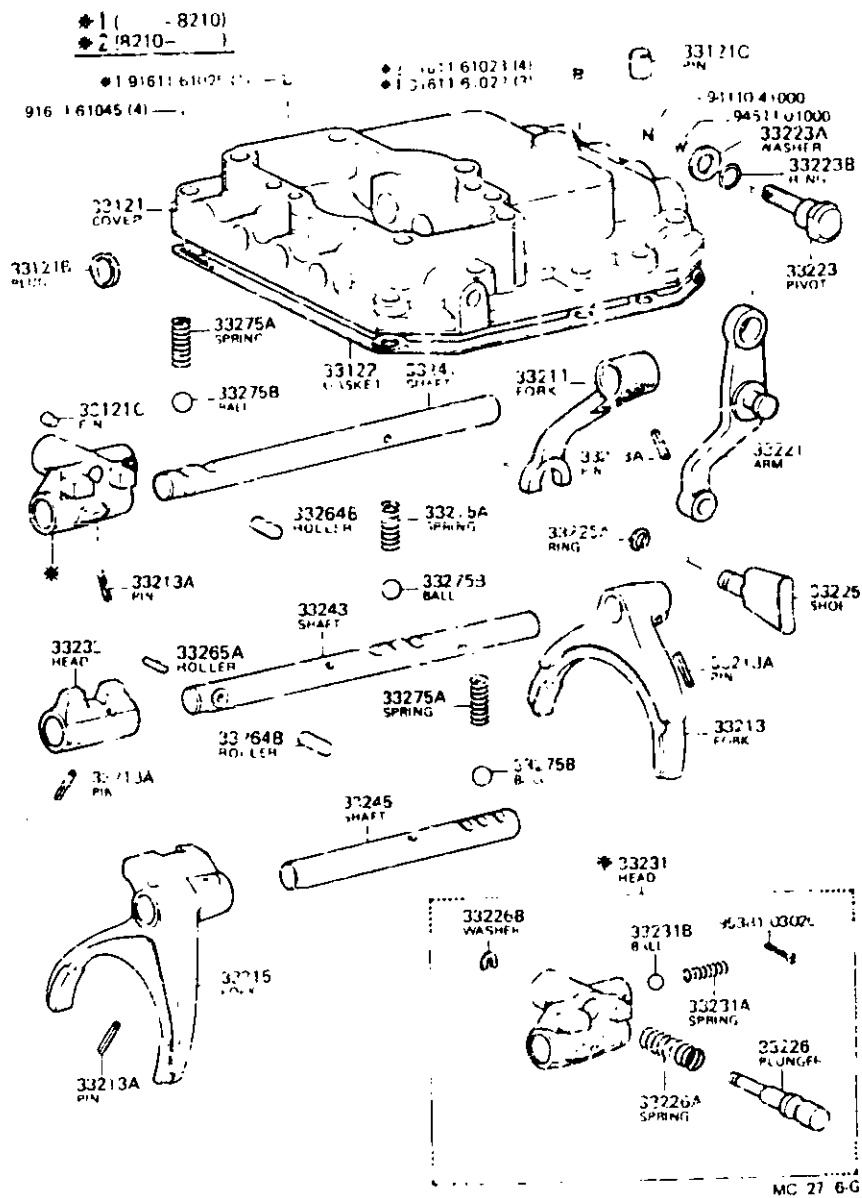
FIG. 33-07 GEAR SHIFT FORK & LEVER SHAFT

(MTM)

2-E2

(8008-8309)4F

(8210- )5F



MC 9040 B

MC 27 6-G



FIG. 36-11

GENUINE TOYOTA PARTS

2-E3

GENUINE TOYOTA PARTS

PROG. DATE	MODELS	DESCRIPTION	PART NUMBER	REV. REF. CODE		PROG. DATE	MODELS	DESCRIPTION	PART NUMBER	REV. REF. CODE		
				FROM	UP TO					FROM	UP TO	
8008-8410	BJ42, FJ40	SHAFT, TRANSFER FRONT DRIVE SHIFT	36313-60050-	1	1	80	8210-8410	SHAFT, FRONT DRIVE SHIFT LINK SUPPORT CONTINUED	36341-60032-	1	19	80
8008-8410	BJ42, FJ40	SEAL, OIL (FOR TRANSFER FRONT DRIVE SHIFT SHAFT)	90311-22005-	1	1	80	8008-8410	SHOE, FRONT DRIVE SHIFT LINK LEVER (FOR DIRECT TYPE)	36343-60020-	1	1	80
8008-8410	BJ42, FJ40	SHAFT, TRANSFER HIGH AND LOW SHIFT FORK	36314-60030-	1	1	80	8008-8410	LEVER, TRANSFER HIGH AND LOW SHIFT OUTER	36362-60011-	1	1	80
8019-8410	BJ42, FJ40	BOOT, TRANSFER FRONT DRIVE SHIFT SHAFT	36318-60020-	1	1	80						
8210-8410	BJ42	LEVER, TRANSFER FRONT DRIVE SHIFT	36321-60070-	1	19	80						
8008-8309	BJ42, FJ40, 4F		36321-60041-	1	1							
8008-8410	BJ42, FJ40	BUSH (FOR TRANSFER SHIFT LEVER)	33548-60010-	1	1	80						
8210-8410	BJ42	GUIDE, TRANSFER SHIFT LEVER	36323-60080-	1	19	80						
8008-8309	BJ42, FJ40, 4F		36323-60031-	1	1							
8008-8410	BJ42, FJ40	SHAFT, TRANSFER SHIFT LEVER	36327-60040-	1	1	80						
8210-8410	BJ42	ROD ASSY, HIGH AND LOW SHIFT, NO. 2	36340-60050-	1	19	80						
8008-8309	BJ42, FJ40, 4F		36340-60060-	1	1							
8008-8410	BJ42, FJ40	END ASSY (FOR HIGH & LOW SHIFT ROD)	33740-35011-	1	1	80						
8008-8108	BJ42, FJ40	SHAFT, FRONT DRIVE SHIFT LINK SUPPORT	36341-60030- (36341-60031-	1	1							
8108-8210	BJ42, FJ40		36341-60031- (36341-60032-	1	18							

FIG. 41-01

## GENUINE TOYOTA PARTS

2-E4

## GENUINE TOYOTA PARTS

PRD. DATE	MODELS	DESCRIPTION	PART NUMBER	QTY	REV. REF. CODE		PRD. DATE	MODELS	DESCRIPTION	PART NUMBER	QTY	REV. REF. CODE	
					FROM	UP TO						FROM	UP TO
	41201B	BEARING, TAPERED ROLLER (FOR REAR DRIVE PINION FRONT)						41204	FLANGE SUB-ASSY, DRIVE PINION COMPANION, REAR				
8100-8101	BJ42, FJ40		97419-30306-	1	1		8008-8408	CONTINUED BJ42, FJ40	41204-60010-	1	1	82	
8131-8410	BJ42, FJ40		90366-30011-	1		80		41204A	WASHER, PLATE (FOR DRIVE PINION)				
	41201C	SEAL, OIL (FOR REAR DIFFERENTIAL CARRIER)					8008-8410	BJ47, FJ40	90261-200P5-	1	1	80	
8066-8410	BJ42, FJ40		90311-30134-	1	1	80		41204B	NUT (FOR DRIVE PINION)				
	41201D	WASHER, PLATE (FOR REAR DIFFERENTIAL DRIVE PINION)					8008-8410	BJ42, FJ40	90179-20001-	1	1	80	
8088-8410	BJ42, FJ40	T=2.74-2.76	90360-30184-6	1	1	80		41214	SLINGER, REAR DIFFERENTIAL DRIVE PINION OIL				
8077-8410	BJ42, FJ40	T=2.77-2.79	90360-30183-9	1	1	80	8008-8210	BJ42, FJ40	9041214-30010- (41214-40010-	1	1		
8108-8410	BJ42, FJ40	T=2.80-2.82	90360-30184-2	1	1	80	8210-8410	BJ42, FJ40	41214-40010-	1		80	
1008-8410	BJ42, FJ40	T=2.83-2.85	90360-30187-5	1	1	80		41222A	BOLT (FOR REAR RING BEAR SET)				
1008-8410	BJ42, FJ40	T=2.86-2.88	90360-30184-8	1	1	80	8008-8410	BJ42, FJ40	41226-35010-	12	1	80	
3008-8410	BJ42, FJ40	T=2.89-2.91	90360-30190-1	1	1	80		41232	DEFLECTOR, DUST (FOR REAR DIFFERENTIAL)				
4008-8410	BJ42, FJ40	T=2.92-2.94	90360-30191-4	1	1	80	8408-8410	BJ42	41232-30010-	1		80	
8008-8410	BJ42, FJ40	T=2.95-2.97	90360-30192-7	1	1	80	8008-8410	BJ42, FJ40	37341-30010-	1	1		
8008-8410	BJ42, FJ40	T=2.98-3.00	90360-30199-0	1	1	80		41301A	BEARING, TAPERED ROLLER (FOR REAR DIFFERENTIAL CASE)				
	41201E	SHIM (FOR DRIVE PINION SPACER FRONT ADJUST)					8008-8410	BJ42, FJ40	90748-45006-	2	1	80	
3008-8410	BJ42, FJ40		90364-30035-	4	1	80		41302	CASE SUB-ASSY, DIFFERENTIAL (FOR WITHOUT GEAR)				
	41201F	SHIM (FOR DRIVE PINION SPACER REAR ADJUST)					8008-8410	BJ42, FJ40	41315-30010-	1		80	
8008-8410	BJ42, FJ40	T=0.25	90364-68001-	2	1	80		41315	NUT, REAR DIFFERENTIAL SKIRTING ADJUSTING				
8008-8410	BJ42, FJ40	T=0.30	90364-68002-	2	1	80		41316	LOCK, REAR DIFFERENTIAL BEARING ADJUSTING NUT				
8008-8410	BJ42, FJ40	T=0.35	90364-68003-	2	1	80	8008-8410	BJ42, FJ40	41316-30010-	2	1	80	
8008-8410	BJ42, FJ40	T=0.40	90364-68004-	2	1	80		41331	GEAR, REAR DIFFERENTIAL SIDE				
8008-8410	BJ42, FJ40	T=0.45	90364-68005-	2	1	80	8008-8410	BJ42, FJ40	41331-35020-	2	1	80	
	41204	FLANGE SUB-ASSY, DRIVE PINION COMPANION, REAR						41341	PINION, REAR DIFFERENTIAL				
8408-8410	BJ42		41204-60050-	1	83	80	8008-8410	BJ42, FJ40	41341-55012-	2	1	80	

7-43-03

## GENUINE TOYOTA PARTS

2-E5

## GENUINE TOYOTA PARTS

MOOD. DATE	MODELS	DESCRIPTION	PART NUMBER	QTY	REV. REF. CODE		PROD. DATE	MODELS	DESCRIPTION	PART NUMBER	QTY	REV. REF. CODE	
					FROM	UP TO						FROM	UP TO
	↔ 43511 ↔	HUB, FRONT AXLE											
8005-8410	BJ42, FJ40		43502-6002-	7	1	80							
	↔ 43512 ↔	DISC, FRONT											
8008-8410	BJ42, FJ40		43512-69017- (43512-69016-)	2	1	80							
	↔ 43514 ↔	CAP, FRONT HUB GREASE											
8004-8410	BJ42, FJ40		43423-60011-	2	1	80							
	↔ 43521 ↔	NUT, FRONT WHEEL ADJUSTING											
8003-8410	BJ42, FJ40		43521-60011-	4	1	80							
	↔ 43523 ↔	WASHER, FRONT WHEEL ADJUSTING LOCK											
8000-8410	BJ42, FJ40		90215-62025-	2	1	80							
	↔ 43530 ↔	HUB ASSY, FREE WHEEL											
8008-8110	BJ42, FJ40		43530-69014-	2	1	80							
8110-8410	BJ42, FJ40		43530-69017-	2	7	80							
	↔ 43531 ↔	BASKET, FREE WHEEL HUB											
8008-8410	BJ42, FJ40		43531-60010-	2	1	80							
	↔ 43532 ↔	RING, FREE WHEEL HUB											
8110-8410	BJ42, FJ40		43532-60010-	2	7	80							

FIG. 45-03

## GENUINE TOYOTA PARTS

2-E6

## GENUINE TOYOTA PARTS

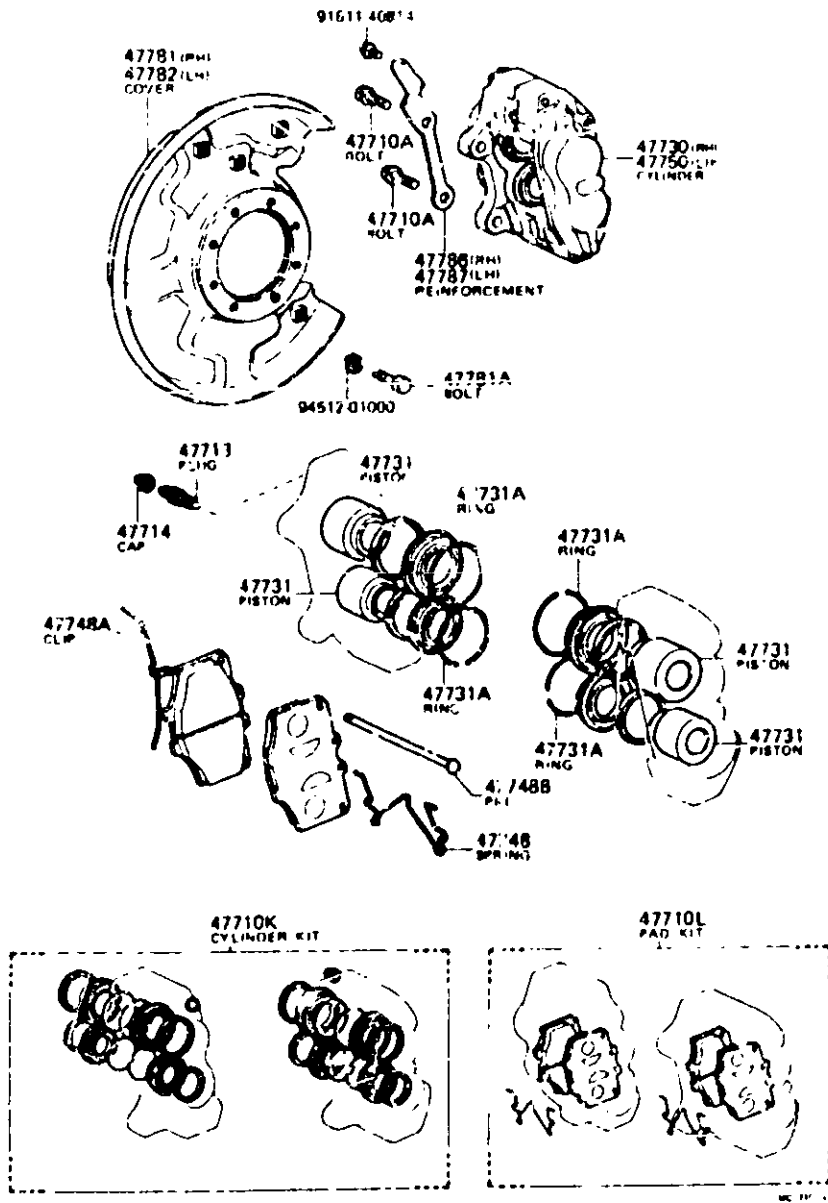
PROD. DATE	MODELS	DESCRIPTION	PART NUMBER	QTY	REV. REF. CODE		PROD. DATE	MODELS	DESCRIPTION	PART NUMBER	QTY	REV. REF. CODE	
					FROM	UP TO						FROM	UP TO
	↔ 44413A ↔	HOSE (FOR RETURN TUBE OUTLET)											
8210-8410	BJ42		90447-18012-	1	19	80							
8008-8110	FJ40..CND		90445-18104-	1	1	6							
	↔ 44413B ↔	HOSE (FOR RESERVOIR TANK INLET)											
8210-8410	BJ42		44412-60020-	1	19	80							
8008-8110	FJ40..CND		90445-18086-	1	1	6							
	↔ 44413C ↔	CLAMP (FOR RETURN TUBE OUTLET HOSE)											
8210-8410	BJ42		90460-01001-	2	19	80							
8008-8110	FJ40..CND			2	1	6							
	↔ 44413D ↔	CLAMP (FOR RESERVOIR TANK INLET HOSE)											
8210-8410	BJ42		90460-01001-	2	19	80							
8008-8110	FJ40..CND			2	1	6							
	↔ 44416 ↔	TUBE, RETURN (FOR STEERING GEAR OUTLET)											
8210-8410	BJ42		44416-60080-	1	19	80							
8008-8309	FJ40		44416-60021-	1	1								
	↔ 44443 ↔	BRACKET, PUMP											
8210-8410	BJ42		44443-60040-	1	19	80							
8008-8110	FJ40..CND		44443-60010-	1	1	6							
8008-8309	FJ40..USA		44443-60020-	1	1								
	↔ 44446 ↔	STRUT, ADJUSTING											
8008-8110	FJ40..CND		44446-60010-	1	1	6							

FIG.47-05 FRONT DISC BRAKE CALIPER & DUST COVER

2-E7

GENUINE TOYOTA PARTS

(8008-



PROD. DATE	MODELS	DESCRIPTION	PART NUMBER	REV. REF. CLOR	
				FROM	UP TO
FIG.	47-05	FRONT DISC BRAKE CALIPER & DUST COVER			
8008-8410	BJ42-FJ40	BOLT, HEXAGON (FOR FRONT CALIPER)	90101-12060-	4	80
8008-8410	BJ42-FJ40	CYLINDER KIT, DISC BRAKE, FRONT	04479-30030-	1	80
800P-8410	BJ42-FJ40	PAD KIT, DISC BRAKE, FRONT	04491-60010-	1	80
8008-8410	BJ42-FJ40	PLUG, BLEEDER (FOR DISC BRAKE, FRONT)	47547-20030-	2	80
8008-8410	BJ42-FJ40	CAP, BLEEDER PLUG (FOR DISC BRAKE, FRONT)	31478-30010-	2	80
8008-8410	BJ42-FJ40	CYLINDER ASSY, DISC BRAKE, RH NO.1	47730-60021-	1	80
8008-8410	BJ42-FJ40	PISTON, FRONT DISC BRAKE	DD=42.82 47731-30020-	4	80
8008-8410	BJ42-FJ40	PISTON, FRONT DISC BRAKE	DD=35.93 47732-30010-	4	80
8008-8410	BJ42-FJ40	RING, SET (FOR FRONT DISC BRAKE PISTON)	PISTON OD= 90522-40043- 33.93	4	80
8008-8410	BJ42-FJ40	RING, SET (FOR FRONT DISC BRAKE PISTON)	PISTON OD= 90522-48044- 42.82	4	80
8008-8410	BJ42-FJ40	SPRING, ANTIRATTLE, NO.1	47748-60017-	2	80
8008-8410	BJ42-FJ40	CLIP (FOR DISC BRAKE ANTIRATTLE)	90468-12003-	2	80
8008-8410	BJ42-FJ40	PIN, W/HOLE (FOR DISC BRAKE ANTIRATTLE)	91240-06158-	4	80

FIG. 48-03

## GENUINE TOYOTA PARTS

2-E8

## GENUINE TOYOTA PARTS

PROD. DATE	MODELS	DESCRIPTION	P	PART NUMBER	QTY	REV. REF. CODE		PROD. DATE	MODELS	DESCRIPTION	P	PART NUMBER	QTY	REV. REF. CODE	
						FROM	UP TO							FROM	UP TO
8008-8410	BJ42, FJ40	BRACKET, FRONT SPRING (FOR FRONT RH)		48403-60022-	1	1	80	8008-8410	BJ42, FJ40	ABSORBER ASSY, SHOCK FRONT, RH		48511-69036-	1	1	80
8008-8410	BJ42, FJ40	BRACKET, FRONT SPRING (FOR FRONT LH)		48403-60022-	1	1	80	8008-8410	BJ42, FJ40	RETAINER, FRONT SHOCK ABSORBER CUSHION, NO. 1		90948-13003-	2	1	90
8008-8410	BJ42, FJ40	BRACKET, FRONT SPRING (FOR REAR RH)		48411-60032-	1	1	80	8008-8410	BJ42, FJ40	RETAINER, FRONT SHOCK ABSORBER CUSHION, NO. 2		90948-03004-	2	1	80
8008-8410	BJ42, FJ40	BRACKET, FRONT SPRING (FOR REAR LH)		48411-60032-	1	1	80	8008-8410	BJ42, FJ40	WASHER, FRONT SHOCK ABSORBER CUSHION, NO. 1		90948-07003-	2	1	80
8008-8410	BJ42, FJ40	PLATE, DISTANCE (FOR FRONT)		48475-60020-	1	1	80	8008-8410	BJ42, FJ40	WASHER, FRONT SHOCK ABSORBER CUSHION, NO. 2		90948-03004-	2	1	80
8008-8410	BJ42, FJ40	BRACKET SUB-ASSY, FRONT SHOCK ABSORBER, UPPER RH		48512-60010-	1	1	80	8008-8410	BJ42, FJ40	BUSH (FOR FRONT SHOCK ABSORBER)		90385-16107-	8	1	80
8008-8410	BJ42, FJ40	BRACKET SUB-ASSY, FRONT SHOCK ABSORBER, UPPER LH		48513-60010-	1	1	80	8008-8410	BJ42, FJ40	ABSORBER ASSY, SHOCK FRONT, LH		48511-69036-	1	1	80
8008-8410	BJ42, FJ40	SEAT, FRONT SPRING, RH		48048-60030-	1	1	80	8008-8410	BJ42, FJ40	PIN, FRONT SHOCK ABSORBER UPPER PIVOT		48521-36040-	2	1	80
8008-8410	BJ42, FJ40	BOLT, U (FOR FRONT SPRING)		90118-14108-	3		80								
8008-8410	BJ42, FJ40	L=185, D=14 RH OUTER, LN, W/DIP		90118-14150-	5	1	80								
8008-8410	BJ42, FJ40	L=180, D=14 RH INNER, LN		90118-14191-	1	1	80								
8008-8410	BJ42, FJ40	L=203, D=14 RH INNER		90118-14192-	1	1	80								
8008-8410	BJ42, FJ40	L=213, D=14 RH INNER, W/DIP													
8008-8410	BJ42, FJ40	SEAT, FRONT SPRING, LH		48049-60030-	1	1	80								

\* DIP = Distance Plate

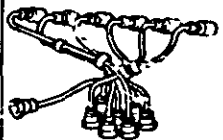
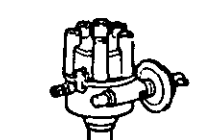
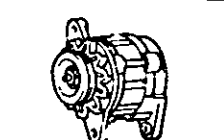
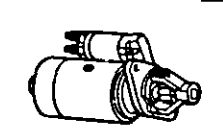
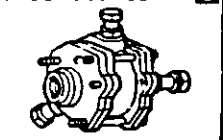


38193 - 43235

E14

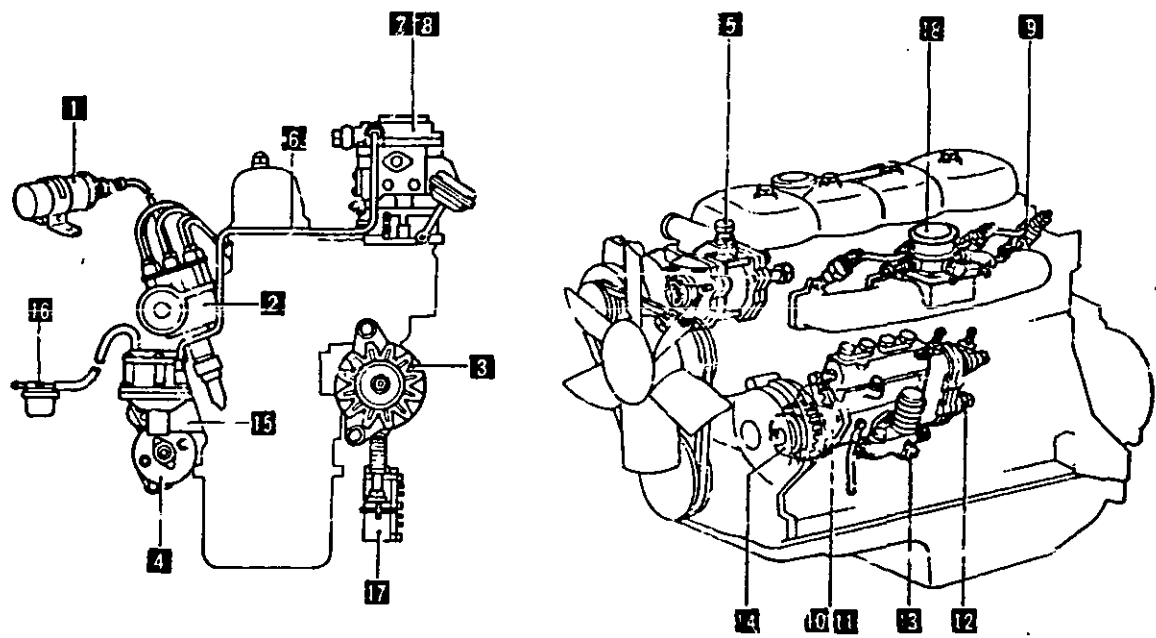
43236 - 45700



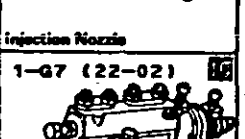
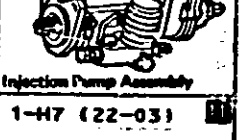
PART NUMBER	LOCATION	PART NUMBER	LOCATION	PART NUMBER	LOCATION	PART NUMBER	LOCATION	PART NUMBER	LOCATION	PART NUMBER	LOCATION
38193-60010-	2-L3	38640-60010-	2-B4	42108-60010-	2-F4	43236-60010-	2-A8	44330-60040-	2-A6	45220-60070-	2-J5
38202-60040-	2-L3	-60020-	2-B4	42109-60050-	2-F4	43237-60030-	2-A8	-60050-	2-A6	45222-30030-	2-J5
-60041-	2-L3	38641-30010-	2-B4	42110-60025-	2-F4	43401-60012-	2-A8	-60060-	2-A6	45224-30040-	2-J5
38203-60040-	2-L3	38642-60010-	2-B4	-60020-	2-F4	43405-60015-	2-C5	44341-30020-	2-B6	45225-30040-	2-J5
38205-60040-	2-L3	38659-60010-	2-B4	-60052-	2-F4	43411-60020-	2-C5	44343-12010-	2-B6	45226-30020-	2-J5
38211-60040-	2-L3	38915-60030-	3-J7	-60053-	2-F4	43412-60020-	2-C5	-30020-	2-B6	45230-35010-	2-J5
38214-60040-	2-L3	-90302-	3-J7	-60073-	2-F4	43421-60013-	2-D5	44344-30010-	2-B6	45240-36041-	2-J5
38216-60040-	2-M3	38916-90301-	3-J7	-60093-	2-F4	43422-60010-	2-D5	44346-30020-	2-B6	45254-60040-	2-K5
-60041-	2-M3	-90303-	3-J7	42137-55010-	2-F4	-60010-	2-D5	44350-60010-	2-D6	45255-60020-	2-K5
38217-60040-	2-M3	41101-60021-	2-A5	42181-36010-	2-A5	43423-60011-	2-E5	44372-22010-	2-B6	45269-36010-	2-K5
38218-60040-	2-M3	-60020-	2-D5	-60010-	2-F4	43435-60011-	2-B8	44381-60011-	2-D6	45280-60040-	2-K5
38221-60040-	2-M3	41110-60016-	2-A5	42183-35010-	2-F4	43436-60011-	2-B8	44391-30010-	2-B6	-60052-	2-K5
38223-60040-	2-M3	-60017-	2-A5	42306-60010-	2-F4	43502-60020-	2-E5	-30020-	2-B6	-60053-	2-K5
38225-60040-	2-M3	-60017-	2-A5	-60040-	2-F4	43509-60013-	2-D5	44410-60021-	2-D6	-60062-	2-K5
38226-60040-	2-M3	-60026-	2-A5	42311-60052-	2-L4	-60015-	2-D5	-60060-	2-D6	-60063-	2-K5
38228-60040-	2-M3	-60026-	2-A5	-60060-	2-L4	43512-69015-	2-E5	44411-60030-	2-D6	45286-60907-	2-K5
38229-60040-	2-M3	-60026-	2-D4	42312-60042-	2-L4	43521-60011-	2-E5	-60080-	2-D6	-60900-	2-K5
38232-60040-	2-M3	41114-35010-	2-A5	-60017-	2-L4	43530-69016-	2-E5	-60090-	2-D6	45301-36050-	2-K5
-60041-	2-M3	-60020-	2-D4	42323-60010-	2-D5	-69017-	2-E5	44412-60020-	2-E6	45304-36020-	2-K5
38234-60040-	2-M3	41201-99095-	2-B5	-60020-	2-L4	43531-60010-	2-E5	44416-60021-	2-E6	45310-36070-	2-K5
38236-60040-	2-M3	-60020-	2-D4	-60020-	2-B8	43532-60010-	2-E5	-60080-	2-E6	-60030-	2-K5
38237-60040-	2-M3	-69105-	2-B5	42325-55010-	2-L4	44104-22011-	2-L5	44420-60031-	2-D6	45312-60040-	2-K5
38286-60010-	2-K3	42411-60010-	2-L4	42419-60011-	2-L4	44105-30050-	2-M5	44443-60010-	2-E6	45321-36020-	2-K5
38302-60010-	2-M3	41204-60010-	2-B5	42420-60070-	2-L4	-30060-	2-M5	-60020-	2-E6	45323-36012-	2-K5
38311-60010-	2-M3	-60030-	2-B5	-60070-	2-L4	44107-60070-	2-M5	-60040-	2-E6	-36020-	2-K5
38321-60010-	2-M3	-60030-	2-B5	42427-60020-	2-L4	44108-60010-	2-L5	44446-60010-	2-E6	-36030-	2-K5
38322-60040-	2-M3	-60020-	2-E4	-60321-	2-L4	44110-60021-	2-L5	44601-30350-	2-C7	-36040-	2-K5
38323-60040-	2-M3	41214-30010-	2-B5	-60321-	2-L4	-60022-	2-L5	44606-30350-	2-C7	-36050-	2-K5
38324-60040-	2-M3	-60010-	2-E4	42428-60011-	2-J4	44111-60010-	2-L5	44608-30350-	2-C7	-36060-	2-K5
38325-60040-	2-M3	-40010-	2-B5	42431-60020-	2-L4	44115-60020-	2-L5	44609-30350-	2-C7	-36070-	2-K5
38329-60040-	2-M3	41226-35010-	2-B5	42441-30010-	2-J4	44116-60020-	2-L5	44610-60180-	2-C7	-36080-	2-K5
38333-60010-	2-M3	-35010-	2-E4	42443-55020-	2-J4	44120-60021-	2-J5	-60210-	2-C7	45332-36010-	2-K5
38334-60010-	2-M3	-35010-	2-E4	42601-60072-	2-K4	-60022-	2-J5	44632-60100-	2-C7	45351-36020-	2-L5
-60040-	2-M3	41252-35010-	2-B5	-60082-	2-K4	-60031-	2-J5	44633-30350-	2-C7	45352-36010-	2-L5
38340-60040-	2-A4	-60020-	2-E4	-60130-05	2-K4	44142-22010-	2-L5	44658-30350-	2-C7	45353-36010-	2-L5
38600-60010-	2-A4	41311-36010-	2-A5	-60150-	2-K4	-22020-	2-J5	44659-30350-	2-C7	45354-36010-	2-L5
-60020-	2-A4	-60020-	2-E4	42603-35080-	2-L4	44302-30020-	2-M5	44673-30350-	2-C7	45355-36010-	2-L5
38601-60010-	2-A4	41315-30010-	2-A5	-35090-	2-L4	44303-22011-	2-M5	44678-22020-	2-C7	45356-36010-	2-L5
-60020-	2-A4	-60010-	2-E4	-60010-	2-L4	-22021-	2-M5	44704-60020-	2-D7	45357-36020-	2-L5
38602-60010-	2-A4	41316-30010-	2-A5	-60011-	2-L4	44304-30022-	2-M5	44730-22050-	2-D7	-60010-	2-J5
-60020-	2-A4	-60020-	2-E4	-60020-	2-L4	44305-30020-	2-A6	44756-60010-	2-D7	45421-60021-	2-H6
38603-60010-	2-A4	41331-35020-	2-A5	-60021-	2-L4	-60010-	2-A6	44758-30040-	2-D7	45422-60020-	2-H6
-60020-	2-A4	-60030-	2-E4	-60030-	2-L4	44306-60030-	2-A6	44763-60020-	2-D7	45424-60040-	2-H6
38610-60010-	2-A4	41341-35012-	2-B5	-60040-	2-L4	-60031-	2-B6	44764-60040-	2-D7	45427-60020-	2-H6
-60020-	2-A4	-60020-	2-E4	-60050-	2-L4	-60040-	2-B6	44768-60041-	2-D7	45429-60020-	2-H6
38611-60010-	2-A4	41342-55010-	2-A5	-60051-	2-L4	-60041-	2-B6	44773-22020-	2-D7	45430-60020-	2-H6
-60020-	2-A4	-60020-	2-F4	-60060-	2-L4	-60060-	2-B6	44779-60010-	2-D7	-60040-	2-L6
38612-60010-	2-A4	41343-55010-	2-A5	-60061-	2-L4	44307-22010-	2-B6	-60020-	2-D7	45438-60010-	2-L6
38613-60010-	2-A4	-55010-	2-F4	42521-60010-	2-L4	-22020-	2-B6	45025-60040-	2-K5	45441-60310-	2-L6
-60020-	2-A4	41344-35010-	2-F4	-60020-	2-L4	44308-60010-	2-A5	45045-69015-	2-H6	45442-60011-	2-L6
38614-60010-	2-A4	41345-35010-	2-F4	42522-35100-	2-L4	44311-60010-	2-A6	45046-69025-	2-H6	45447-60010-	2-L6
38616-60010-	2-A4	41346-35010-	2-F4	-60011-	2-L4	-60040-	2-A6	-60020-	2-H6	45450-60021-	2-L6
38617-60010-	2-A4	41347-35010-	2-F4	-60022-	2-L4	44320-60030-	2-A6	-69055-	2-H6	45451-60040-	2-L6
38621-60010-	2-A4	41348-35010-	2-F4	-60030-	2-L4	-60031-	2-A6	45047-69025-	2-L6	45460-69035-	2-L6
38622-60010-	2-A4	41351-35011-	2-B5	-60040-	2-L4	-60040-	2-A6	45100-60090-	2-F6	45461-60021-	2-L6
38623-60010-	2-A4	-60040-	2-F4	43110-60094-	2-A5	-60041-	2-A6	45105-60010-	2-F6	45466-30010-	2-L6
38625-60010-	2-A4	41361-60010-	2-A5	-60122-	2-A5	-60080-	2-A6	45125-60040-	2-F6	-55010-	2-L6
38626-60010-	2-A4	-60020-	2-F4	43214-60070-	2-A8	44325-30030-	2-A6	45130-60050-	2-F6	45473-35000-	2-L6
38627-60010-	2-A4	-60020-	2-A5	43215-60050-	2-A8	-30040-	2-A6	45131-60050-	2-F6	45475-35010-	2-L6
-60011-	2-A4	-60030-	2-F4	43212-60050-	2-A8	44329-60010-	2-A6	45176-20030-	2-F4	45479-30030-	2-H6
38628-60010-	2-B4	-60030-	2-A5	43237-60021-	2-A8	-30020-	2-A6	45194-60010-	2-F6	-60010-	2-L6
38629-60010-	2-B4	-60040-	2-F4	43235-60011-	2-A8	44330-60010-	2-A6	45210-60050-	2-J5	45611-60022-	2-L6
38630-60010-	3-F8	-60040-	2-A5	43234-60011-	2-A8	-60020-	2-A6	45214-60030-	2-J5	45612-60022-	2-L6
-60030-	3-F8	-60040-	2-F4	43235-60010-	2-A8	-60030-	2-A6	45220-60060-	2-J5	45700-69015-	2-L6

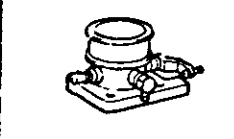
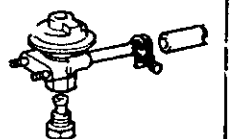



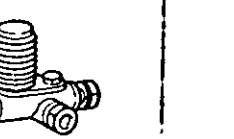

ILLUSTRATED INDEX

1-15 (19-01) 7  Ignition Coil & Cord	1-K5 (19-02) 2  Distributor	1-A6 (19-03) 3  Alternator	1-E6 (19-04) 4  Starter	1-16 (19-05) 5  Vacuum Pump	1-K6 (21-01) 6  Fuel Pipe & Clamp	1-L6 (21-02) 7  Carburetor Assembly
---	--	---	---	--	--	--

ENGINE, FUEL GROUP (2 / 2)



1-M6 (21-03) 8  Carburetor
1-E7 (22-01) 9  Injection Nozzle
1-G7 (22-02) 10  Injection Pump Assembly
1-H7 (22-03) 11  Injection Pump Body

1-J8 (26-06) 12  Venturi	1-H8 (25-01) 17  EGR System	1-E8 (23-02) 16  Fuel Filter	1-D8 (25-01) 14  Fuel Pump	1-C8 (22-07) 13  Automatic Tensioner	1-A8 (22-06) 15  Fuel Feed Pump	1-K7 (22-04) 18  Pneumatic Governor
---	--	---	--	---	--	--

MA 9638

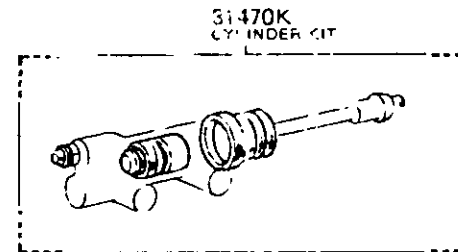
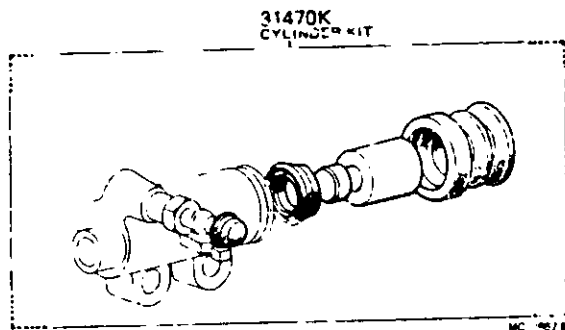
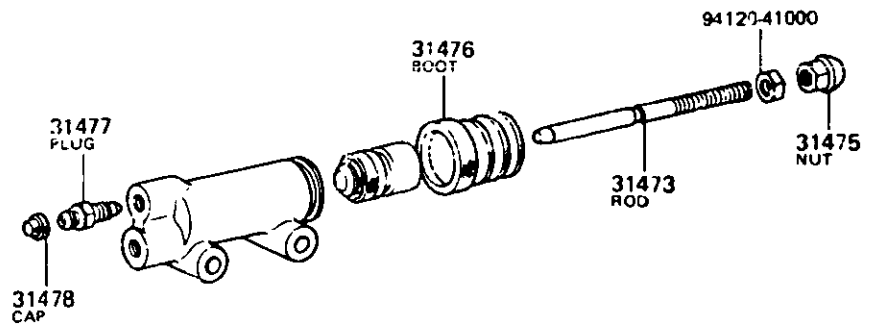
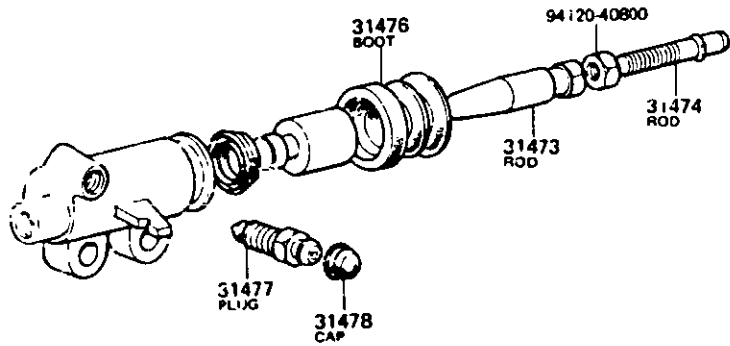
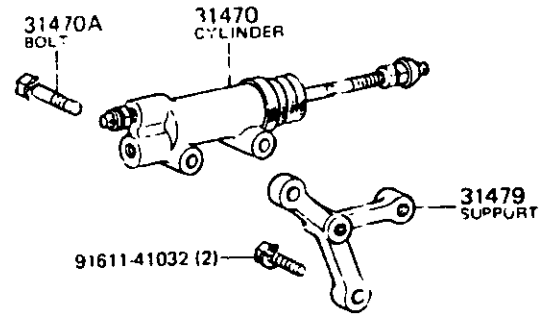
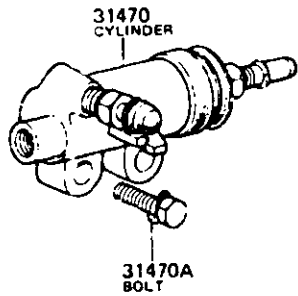


FIG. 31-05 CLUTCH RELEASE CYLINDER

2-F1

(8008- )BJ42

(8008-8309)FJ40



MC 2857B

MC 7017 A

FIG. 33-07

## GENUINE TOYOTA PARTS

2-F2

## GENUINE TOYOTA PARTS

PROD. DATE	M O D E L S	DESCRIPTION	PART NUMBER	REV. REF. CODE			PROC. DATE	M O D E L S	DESCRIPTION	PART NUMBER	REV. REF. CODE		
				FROM	UP TO						FROM	UP TO	
FIG.	33-07	GEAR SHIFT FORK & LEVER SHAFT (MTH)											
	33121	COVER, TRANSMISSION CASE											
8210-8410	BJ42		33102-60090-	1	19	80							
8008-8309	BJ42, FJ40, 4F		33111-60090-	1	1								
	33121B	PLUG, EXPANSION OR TIGHT (FOR TRANSMISSION CASE COVER)											
8210-8410	BJ42	OD=12	90331-12002-	1	19	80							
8210-8410	BJ42	OD=18	90331-18001-	2	19	80							
8008-8410	BJ42, FJ40	OD=16	90331-16050-	7	1	80							
	33121C	PIN (FOR TRANSMISSION CASE COVER)											
8008-8410	BJ42, FJ40	L=14, OD=10	90250-10214-	2	1	80							
8008-8410	BJ42, FJ40	L=8, OD=9.6	90250-10215-	1	1	80							
	33122	GASKET, TRANSMISSION CASE COVER											
8008-8410	BJ42, FJ40		33122-36011-	1	1	80							
	33211	FORK, REVERSE SHIFT											
8008-8410	BJ42, FJ40		33211-36011-	1	1	80							
	33213	FORK, 1ST & 2ND SHIFT											
8210-8410	BJ42		33212-36020-	1	19	80							
8008-8309	BJ42, FJ40, 4F		33212-60020-	1	1								
	33213A	PIN, SLOTTED SPRING (FOR SHIFT FORK SET)											
8008-8410	BJ42, FJ40		90254-05016-	5	1	80							
	33214F	FORK, 5TH SHIFT											
8210-8410	BJ42		33214-60021-	1	19	80							
	33215	FORK, 3RD & 4TH SHIFT											
8210-8410	BJ42		33215-60050-	1	19	80							
8008-8309	BJ42, FJ40, 4F		33215-60030-	1	1								
	33221	ARM, REVERSE SHIFT											
8008-8410	BJ42, FJ40		33201-36030-	1	1	80							
	33222A	ARM, 5TH SHIFT											
8210-8410	BJ42		33222-36030-	1	19	80							
	33222C	BOLT (FOR 5TH SHIFT ARM)											
8210-8410	BJ42		90113-08001-	1	19	80							
	33222D	WASHER (FOR 5TH SHIFT ARM)											
8210-8410	BJ42		90215-09003-	1	19	80							
	33223	PIVOT, SHIFT ARM											
8008-8208	BJ42, FJ40		33223-36010-	1	1	28							
			33223-36020-	1	29	80							
8208-8410	BJ42, FJ40												
	33223A	WASHER (FOR SHIFT ARM PIVOT)											
8407-8410	BJ42		90221-10092-	1		80							
8208-8407	BJ42, FJ40		90201-10045-	1	29								
			90201-10092-	1									
	33223B	RING, O (FOR SHIFT ARM PIVOT)											
8208-8410	BJ42, FJ40		96711-19010-	1	29	80							
	33225	SHOE, SHIFT ARM											
8008-8410	BJ42, FJ40		33225-36030-	1	1	80							
	33225A	RING, SHAFT SNAP (FOR SHIFT ARM SHOE)											
8008-8410	BJ42, FJ40		90520-08398-	1	1	80							
	33226	PLUNGER, REVERSE SHIFT RETURN											
8008-8309	BJ42, FJ40, 4F		33226-36011-	1	1								
	33226	SPRING, COMPRESSION (FOR REVERSE SHIFT RETURN PLUNGER)											
8008-8309	BJ42, FJ40, 4F		90501-16750-	1	1								
	33226B	WASHER, TYPE C (FOR REVERSE SHIFT RETURN PLUNGER)											
8008-8309	BJ42, FJ40, 4F		90215-06001-	1	1								
	33226D	PLUNGER, 1ST & 2ND SHIFT RETURN											
8210-8410	BJ42		33226-60010-	1	19	80							

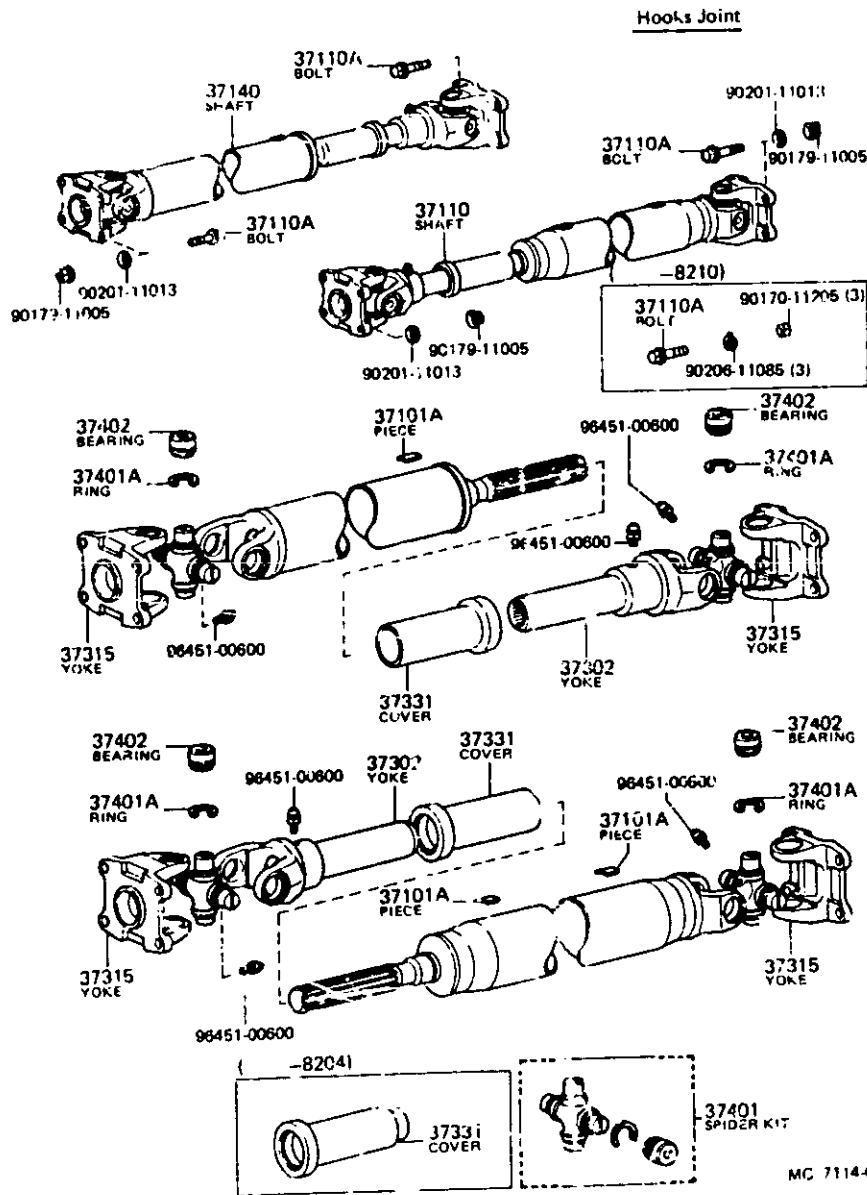
FIG.37--01 PROPELLER SHAFT & UNIVERSAL

JOINT

2-F3

GENUINE TOYOTA PARTS

(8008-



PRCD. DATE	MODELS	DESCRIPTION	PART NUMBER	QTY	REV. RES. CODE	
					FROM	UP TO
FIG. 37-01 PROPELLER SHAFT & UNIVERSAL JOINT						
		37101A PIECE, BALANCE (FOR PROPELLER SHAFT)				
8210-8410	BJ42	40,RR SL EEVE YOKE	90937-01184-	33	19	80
8210-8410	BJ42	80,RR SL EEVE YOKE	90937-01191-	33	19	80
8210-8410	BJ42	120,RR SL EEVE YOKE	90937-01192-	33	19	80
8210-8410	BJ42	160,RR SL EEVE YOKE	90937-01193-	33	19	80
8210-8410	BJ42	200,RR SL EEVE YOKE	90937-01194-	33	19	80
8210-8410	BJ42	240,RR SL EEVE YOKE	90937-01198-	33	19	80
8210-8410	BJ42	280,RR SL EEVE YOKE	90937-01199-	33	19	80
8210-8410	BJ42	320,RR SL EEVE YOKE	90937-01200-	33	19	80
8008-8410	BJ42,FJ40	100	90937-01137-	33	1	80
8008-8410	BJ42,FJ40	200	90937-01136-	33	1	80
8008-8410	BJ42,FJ40	300	90937-01140-	33	1	80
8008-8410	BJ42,FJ40	20	90937-01147-	33	1	80
8008-8410	BJ42,FJ40	40	90937-01148-	33	1	80
8008-8410	BJ42,FJ40	60	90937-01149-	33	1	80
8008-8410	BJ42,FJ40	80	90937-01150-	33	1	80
8008-8410	BJ42,FJ40	120	90937-01151-	33	1	80
8008-8410	BJ42,FJ40	140	90937-01152-	33	1	80
8008-8410	BJ42,FJ40	160	90937-01153-	33	1	80
8008-8410	BJ42,FJ40	250	90937-01154-	33	1	80
8008-8410	BJ42,FJ40	220	90937-01155-	33	1	80
8008-8410	BJ42,FJ40	240	90937-01156-	33	1	80
8008-8410	BJ42,FJ40	260	90937-01157-	33	1	80
8008-8410	BJ42,FJ40	280	90937-01158-	33	1	80
SHAFT ASSY, PROPELLER						
8210-8408	BJ42		37110-60280-	1	19	82
8408-8410	BJ42		37110-60281-	1	83	80

MC 7114-C

MC 7114-C

874-13-0000

FIG. 51-01

## GENUINE TOYOTA PARTS

2-F4

## GENUINE TOYOTA PARTS

PNCD. DATE	MODEL E	DESCRIPTION	P R T N O	PART NUMBER	QTY	REV. REF. CODE		PROD. DATE	MODEL S	DESCRIPTION	P R T N O	PART NUMBER	QTY	REV. REF. CODE	
						FROM	TO							FROM	TO
8008-8410	BJ42, FJ40	SHAFT, REAR DIFFERENTIAL PINION 41342		41342-55010-	1	1	80	8210-830-	HOUSING ASSY, REAR AXLE CONTINUED FJ40			42110-60026-	1	19	
8008-8410	BJ42, FJ40	PIN, DIFFERENTIAL PINION SHAFT 41343		41343-55010-	1	1	80	8008-8410	BJ42, FJ40	PLUG (FOR REAR AXLE HOUSING FILLER) 42110A		90341-18049-	1	1	80
3008-8410	BJ42, FJ40	SPACER, DIFFERENTIAL PINION SHAFT 41344		41344-35010-	1	1	80	8008-8410	BJ42, FJ40	GASKET (FOR REAR AXLE HOUSING FILLER PLUG) 42110B		12157-10010-	1	1	80
8008-8410	BJ42, FJ40	H=29.8		41345-35010-	1	1	80	8008-8410	BJ42, FJ40	GASKET, DRAIN PLUG (FOR REAR AXLE HOUSING) 42110D		12157-10010-	1	1	80
8008-8410	BJ42, FJ40	H=30.2		41346-35010-	1	1	80	8008-8410	BJ42, FJ40	PLUG SUB-ASSY, DRAIN (FOR REAR AXLE HOUSING) 42110E		90341-18057-	1	1	80
8008-8410	BJ42, FJ40	H=30.6		41347-35010-	1	1	80	8008-8410	BJ42, FJ40	COLLAR, REAR AXLE HOUSING SIDE 42137		42137-55010-	2	1	80
8008-8410	BJ42, FJ40	H=29.0		41348-35010-	1	1	80	8109-8110	BJ42, FJ40	REFLECTOR, REAR AXLE HOUSING OIL 42139		42108-60010-	2		6
8008-8410	BJ42, FJ40	H=29.4		41351-35011-	2	1	80	8008-8410	BJ42, FJ40	GASKET, REAR DIFFERENTIAL CARRIER 42181		42181-36010-	1	1	80
3008-8410	BJ42, FJ40	WASHER, REAR DIFFERENTIAL PINION THRUST 41351		41361-60010-	2	1	80	8008-8410	BJ42, FJ40	GASKET, REAR AXLE HOUSING COVER 42183		42183-35010-	1	1	80
8008-8410	BJ42, FJ40	WASHER, REAR DIFFERENTIAL SIDE GEAR THRUST 41361		41361-60020-	2	1	80	8008-8410	BJ42, FJ40	HOSE SUB-ASSY, REAR AXLE BREATHER 42306		42306-60010-	1	1	80
8008-8410	BJ42, FJ40	T=1.55-1.6		41361-60030-	2	1	80	8008-8410	BJ42, FJ40	UNION (FOR REAR AXLE BREATHER HOUSE) 42306A		90404-10013-	1	1	80
8008-8410	BJ42, FJ40	T=1.70-1.8		41361-60040-	2	1	80	8008-8410	BJ42, FJ40	CLIP, HOSE (FOR REAR AXLE BREATHER HOSE) 42306C		96132-30600-	2	1	80
8008-8410	BJ42, FJ40	T=1.85-1.9													
8008-8410	BJ42, FJ40	T=2.00-2.1													
8005-8410	BJ42, FJ40	COVER SUB-ASSY, REAR AXLE HOUSING 42109		42109-60050-	1	1	80								
8008-8110	BJ42	HOUSING ASSY, REAR AXLE 42110		42110-60093-	1	1	6								
8008-8210	BJ42	FULL FLOAT ING AXLE		42110-60052-	1	1	18								
8210-8410	BJ42	SEMI FLOAT ING AXLE		42110-60053-	1	19	80								
8008-8110	FJ40	FULL FLOAT ING AXLE		42110-60073-	1	1	6								
8008-8210	FJ40	SEMI FLOAT ING AXLE		42110-60025-	1	1	18								

FIG. 45-01 STEERING COLUMN & GEAR HOUSING

2-F5

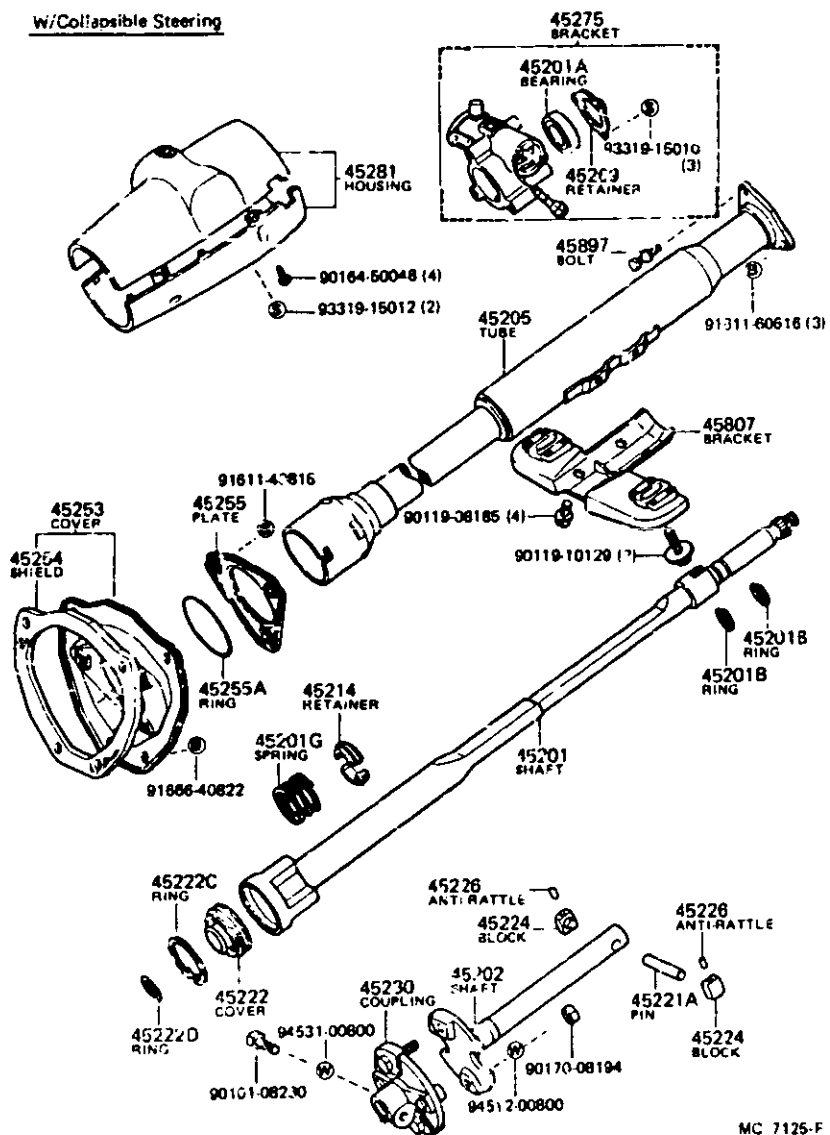
(8008- )

(8008- )

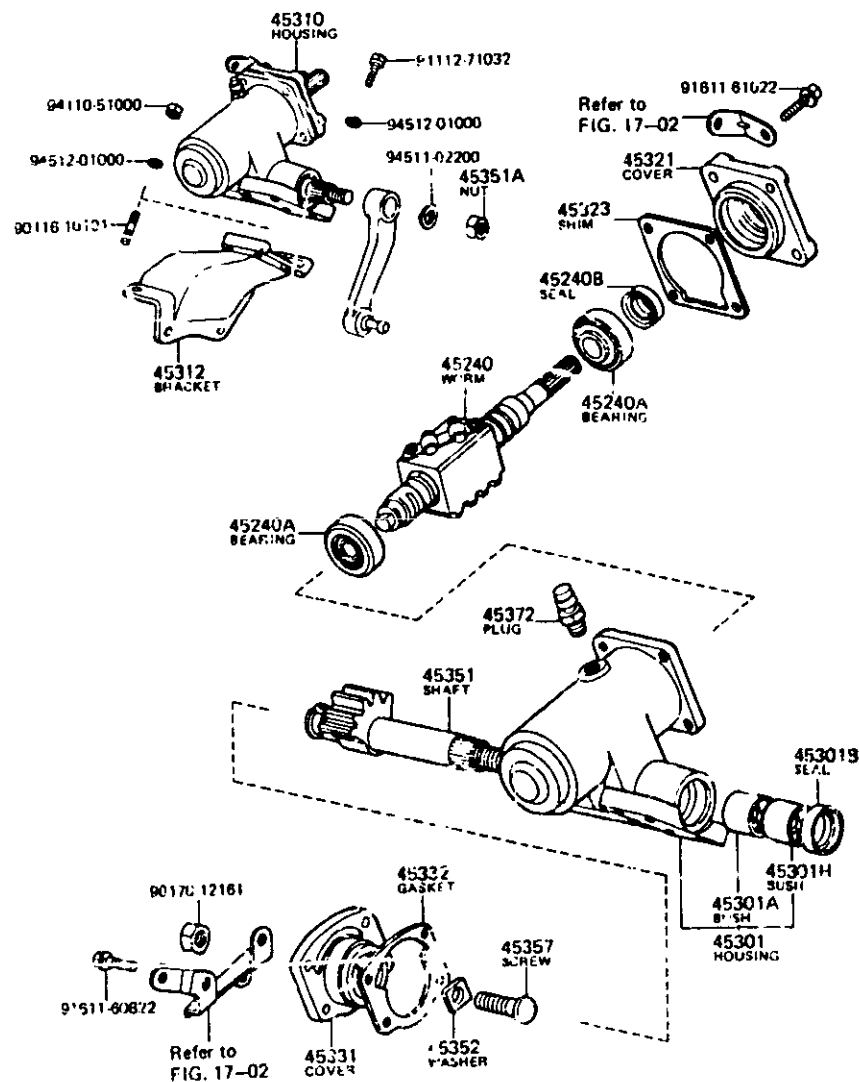
ILLUST. NO. 10F3

ILLUST. NO. 20F3

W/Collapsible Steering



MC 7125-F



MC 714

MC7125F

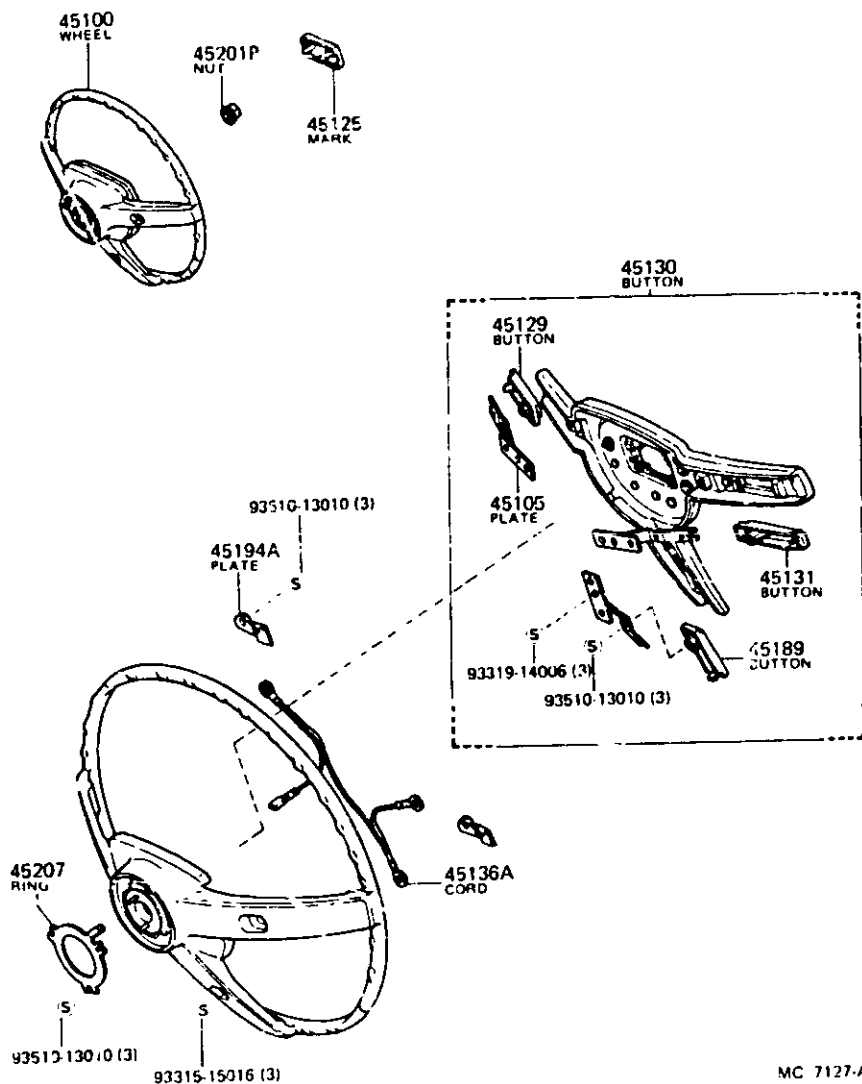
MC 7125 RT4-1 0167

FIG.45-04 STEERING WHEEL

2-F6

GENUINE TOYOTA PARTS

(8008- )



MC 7127-A

PROD. DATE	MODELS	DESCRIPTION	PART NUMBER	QTY	REV. REF. CODE	
					FROM	UP TO
FIG.	45-04 STEERING WHEEL					
8008-8410	BJ42,FJ40	WHEEL ASSY, STEERING	45100-60090-	1	1	80
8008-8410	BJ42,FJ40	PLATE SUB-ASSY. HORN BUTTON CONTACT	45105-60010-	3	1	80
8008-8410	BJ42,FJ40	MARK, STEERING WHEEL PAD	45125-60040-	1	1	80
8008-8410	BJ42,FJ40	BUTTON, HORN, NO.1	45131-60050-	1	1	80
8008-8410	BJ42,FJ40	BUTTON ASSY. HORN	45130-60050-	1	1	80
8008-8410	BJ42,FJ40	BUTTON, HORN, NO.2	45131-60050-	1	1	80
8008-8410	BJ42,FJ40	CORD (FOR HORN CONTACT RING)	90945-02048-	1	1	80
8008-8410	BJ42,FJ40	BUTTON, HORN, NO.3	45131-60050-	1	1	80
8008-8410	BJ42,FJ40	PLATE, HORN BUTTON CONTACT, NO.2	45194-60010-	3	1	80
8008-8410	BJ42,FJ40	NUT, STEERING WHEEL SET	90179-12086-	1	1	80
8008-8410	BJ42,FJ40	RING, HORN CONTACT	45176-20030-	1	1	80

FIG. 47-05

GENUINE TOYOTA PARTS

2-7

GENUINE TOYOTA PARTS

PROD. DATE	MODELS	DESCRIPTION	R/P	PART NUMBER	QTY	REV. REF. CODE		PROD. DATE	MODELS	DESCRIPTION	R/P	PART NUMBER	REV. REF. CODE	
						FROM	UP TO						FROM	UP TO
8008-8410	47750	CYLINDER ASSY, DISC BRAKE, LH NO.1		47750-60021-	1	1	80							
	BJ42,FJ40													
8008-8410	47781	COVER, DISC BRAKE DUST, FRONT RH		47703-60020-	1	1	80							
	BJ42,FJ40													
8008-8410	47781A	BOLT (FOR DUST COVER TO STEERING KNUCKLE ARM SETTING)		90101-10430-	16	1	80							
	BJ42,FJ40													
8008-8410	47782	COVER, DISC BRAKE DUST, FRONT LH		47704-60020-	1	1	80							
	BJ42,FJ40													
8008-8410	47786	REINFORCEMENT, DUST COVER, RH		47786-60020-	1	1	80							
	BJ42,FJ40													
8008-8410	47787	REINFORCEMENT, DUST COVER, LH		47787-60020-	1	1	80							
	BJ42,FJ40													

FIG. 48-04 REAR SPRING & SHOCK ABSORBER

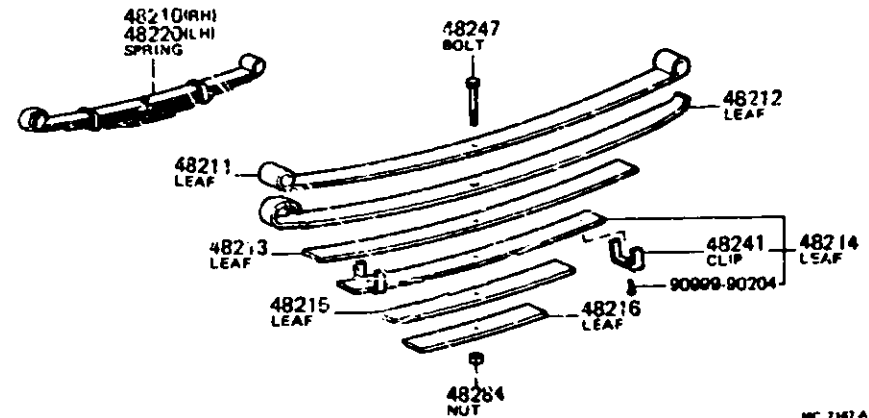
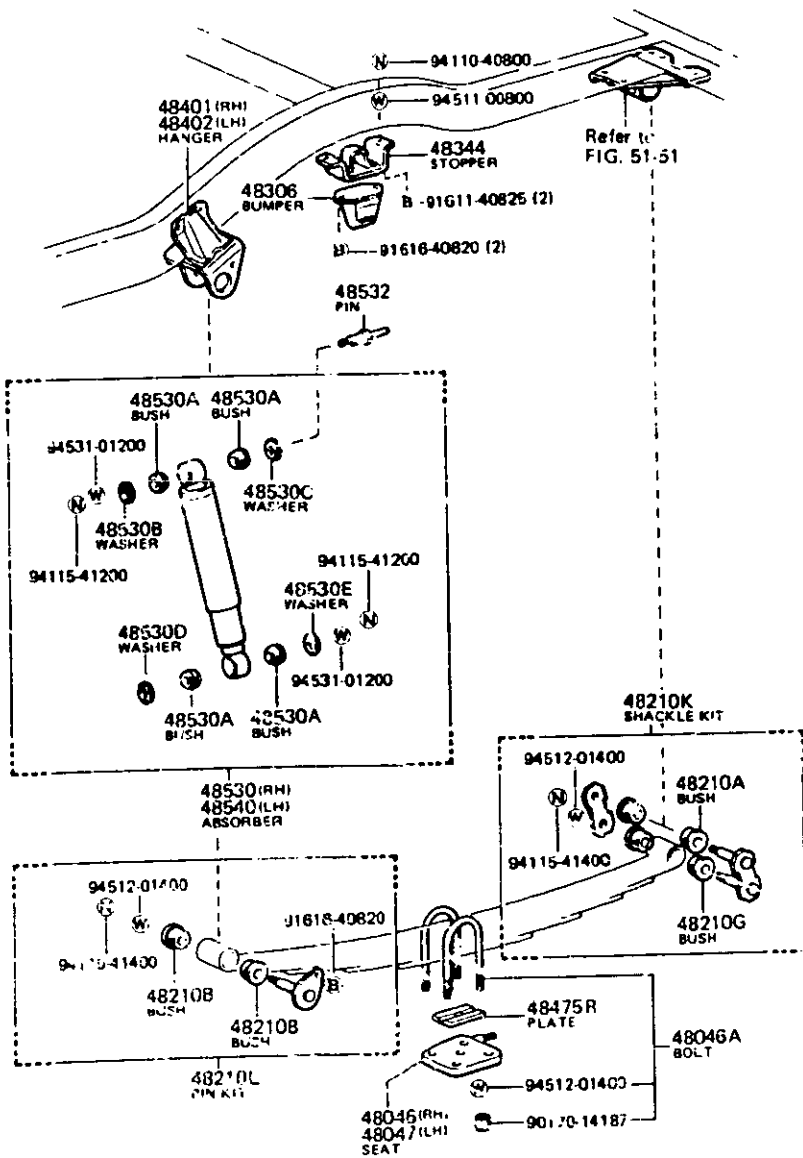
2-F8

(8008- )

(8008- )

ILLUST. NO. 10F2

ILLUST. NO. 20F2



MC 7147 A

MC 7151-B



45721 - 51495



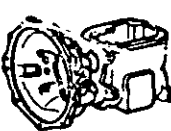




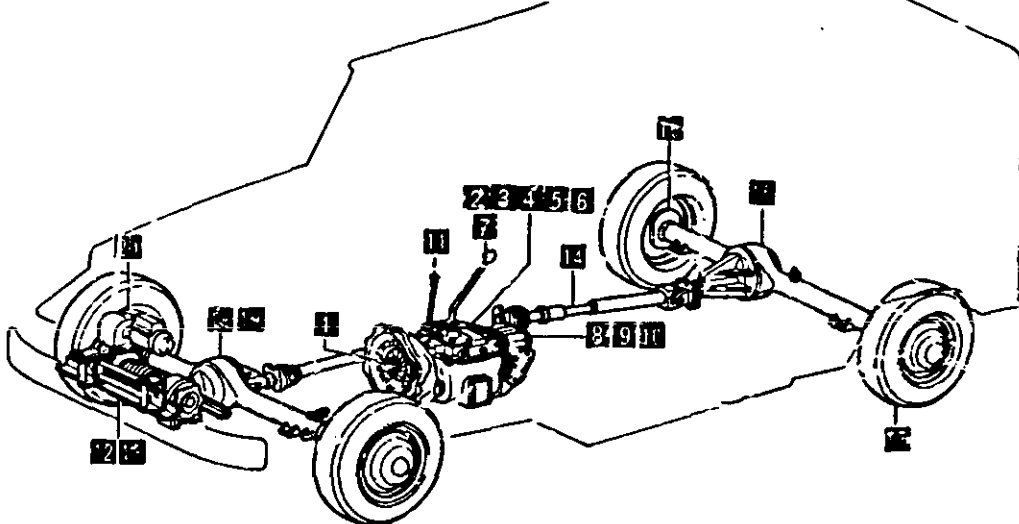



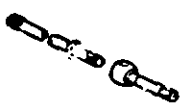






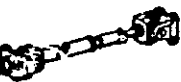


F14

51495 - 56301

PART NUMBER	LOCATION	PART NUMBER	LOCATION	PART NUMBER	LOCATION	PART NUMBER	LOCATION	PART NUMBER	LOCATION	PART NUMBER	LOCATION
45721-60010-	2-L6	47354-60020-	2-M7	48211-60122-	2-G8	51475-60100-	3-C1	53167-60030-	3-A7	55101-90874-	3-B2
45807-60050-	2-L5	47355-60040-	2-M7	-60202-	2-G8	51701-60020-	3-B1	-90301-	3-A2	-90874-	3-B2
45370-60040-	2-J5	47361-60071-	2-M7	48212-60122-	2-G8	-90300-	3-J2	53168-90301-	3-A2	-90886-	3-B2
45897-12030-	2-L5	47378-60070-	2-M7	-60202-	2-G8	51707-90304-	3-J2	53169-60020-	3-A2	55106-90801-	2-L6
46210-60021-	2-J6	-60030-	2-M7	48213-60122-	2-G8	51708-90304-	3-J2	53180-90300-	3-A2	55142-90300-	3-B2
46217-10020-	2-J6	47447-60010-	2-G7	-60202-	2-G8	51741-60011-	3-B1	53201-60011-	3-A2	55203-90800-	3-L2
46243-60010-	2-J6	47449-30020-	2-G7	48215-60123-	2-G8	51751-60020-	3-B1	-60012-	3-A2	-90801-	3-L2
46341-31010-	2-J6	47491-20011-	2-M7	-60202-	2-G8	51752-60020-	3-B1	-60021-	3-A2	55298-30010-	3-G5
46410-60130-	2-J6	47509-60010-	2-M7	48216-60122-	2-G8	51903-90800-	3-D1	-60042-	3-B2	55301-90810-	3-D2
-60131-	2-J6	47547-12010-	2-G1	-60202-	2-G8	-90803-	3-D1	53331-90311-	3-K1	-90817-	3-D2
46443-12020-	2-J6	-12030-	1-F8	48247-36020-	2-D8	51917-90301-	3-D1	-90801-	3-K1	-90819-	3-D2
46451-60011-	2-J6	-20030-	2-E7	-60121-	2-G8	51926-90301-	3-D1	-90808-	3-K1	-90850-	3-D2
-60012-	2-J6	-60020-	2-M7	48284-60062-	2-D8	51928-90300-	3-D1	-90810-	3-K1	-90863-	3-D2
46458-30020-	2-K6	47550-69105-	2-F7	-60202-	2-G8	51929-90300-	3-E1	53303-90801-	3-K1	-90866-	3-D2
46469-60020-	2-K6	47611-60010-	2-M7	48304-60010-	2-D8	51930-90300-	3-E1	-90802-	3-K1	-90867-	3-D2
47043-60050-	2-G7	47612-60010-	2-M7	-60020-	2-D8	51935-90800-	3-D1	-90805-	3-K1	55321-90300-	3-D2
47044-60010-	2-G7	47616-60010-	2-M7	48306-60040-	2-H8	51937-90302-	3-D1	-90806-	3-K1	55381-60010-	3-D2
47061-60010-	2-H7	47624-60010-	2-M7	48403-60022-	2-E8	51938-90300-	3-E1	-90807-	3-K1	55402-90800-	3-D2
-60011-	2-H7	47625-60010-	2-M7	48411-60032-	2-E8	51941-90300-	3-D1	53304-90801-	3-K1	55403-90600-	3-D2
47070-60010-	2-M7	47626-60010-	2-M7	48414-60021-	2-H8	51954-90300-	3-D1	-90302-	3-K1	55404-90300-	3-D2
-60011-	2-M7	47628-35011-	2-M7	48415-60021-	2-H8	51955-90500-	3-D1	-90803-	3-K1	55405-90300-	3-D2
47101-60061-	2-L6	47633-35010-	2-M7	48475-60020-	2-E8	51961-60010-	3-C1	-90806-	3-K1	-90807-	3-D2
47159-30110-	2-L7	47643-60010-	2-I7	51973-90300-	2-H8	51973-90300-	3-E1	-90807-	3-K1	-90808-	3-D2
47190-12330-	2-L7	-7644-60010-	2-I7	48511-69036-	2-E8	51980-69015-	3-C1	-90808-	3-K1	55406-90300-	3-D2
-14020-	2-L7	47655-60010-	2-M7	48512-60010-	2-E8	51985-69011-	3-C1	53316-90800-	3-K1	55407-90300-	3-D2
47201-60130-	2-M6	-60011-	2-M7	48513-60010-	2-E8	52111-60030-	3-H1	-90801-	3-L1	55429-90800-	3-D2
47202-60040-	2-M6	47713-60020-	2-F7	48521-36040-	2-E8	52116-60010-	3-H1	53334-90303-	3-K1	55434-30020-	3-D2
47231-20010-	2-E1	47704-60020-	2-F7	48531-69047-	2-H8	52131-60010-	3-H1	53337-90301-	3-K1	55446-60010-	3-D2
-30010-	2-A7	47730-60021-	2-E7	48572-60010-	2-H8	52141-60011-	3-H1	53349-90500-	3-L1	55449-60010-	3-D2
47232-30010-	2-A7	47731-30020-	2-E7	51001-60274-	3-A1	52142-60011-	3-H1	53359-90301-	3-L1	55457-90800-	3-D2
47234-14010-	2-A7	47732-30010-	2-E7	-60275-	3-A1	52152-60011-	3-I1	53393-90800-	3-L1	55461-90351-	3-D2
47264-22010-	2-A7	47748-60010-	2-E7	-60770-	3-A1	52153-60011-	3-I1	53394-90800-	3-L1	55477-90800-	3-D2
47265-20050-	2-A7	47750-60021-	2-F7	-60771-	3-A1	52201-90300-	3-F1	53403-90300-	3-M1	55501-90800-	3-E2
-20060-	2-M6	47786-60020-	2-F7	51201-60014-	3-A1	-90301-	3-F1	53410-90301-	3-M1	-90802-	3-E2
47275-22010-	2-A7	47787-60020-	2-F7	-60071-	3-A1	52202-90300-	3-F1	53412-90300-	3-M1	55508-30020-	3-E2
47280-30030-	2-A7	49035-60010-	2-H8	-60072-	3-A1	-90301-	3-F1	53504-90300-	3-L1	55522-90800-	3-D2
47299-14010-	2-A7	48046-60032-	2-G8	51202-60042-	3-A1	52203-90300-	3-F1	53505-90303-	3-M1	55524-90A00-	3-A3
-20010-	2-A7	48047-60032-	2-G8	-60043-	3-A1	52204-90300-	3-F1	53506-90300-	3-M1	55533-90801-	3-F2
47311-30320-	2-L7	48048-60030-	2-E8	51203-60015-	3-B1	52208-90300-	3-F1	53510-90801-	3-M1	55549-90300-	3-E2
47312-60350-	2-L7	48049-60030-	2-E8	-60064-	3-B1	52208-90300-	3-F1	53601-20050-01	3-M1	55560-12020-	3-D2
-60410-	2-L7	48102-60062-	2-D8	51209-60031-	3-A1	52228-22010-	3-F1	53630-90801-	3-M1	55561-90800-	3-E2
47315-60280-	2-L7	-60180-	2-D8	51281-60023-	3-A1	52231-90300-	3-F1	53751-90300-	3-L1	55701-90074-	3-G2
-60290-	2-L7	48103-60180-	2-D8	51282-60013-	3-A1	52232-90300-	3-J2	53751-90300-	3-L1	55702-60090-	3-G2
47316-60160-	2-L7	48110-60062-	2-D8	51308-60012-	3-A1	52292-90300-	3-G1	53752-90300-	3-L1	-90802-	3-G2
-60170-	2-L7	48111-60062-	2-D8	51309-60012-	3-A1	52293-90300-	3-G1	53761-90300-	3-L1	-90805-	3-G2
47321-60100-	2-L7	-60180-	2-D8	51403-60010-	3-B1	52293-90300-	3-G1	53761-90300-	3-L1	-90806-	3-G2
47322-60250-	2-L7	48112-60062-	2-D8	-60011-	3-B1	52293-90300-	3-G1	53762-90300-	3-L1	55706-90175-	3-C3
-60310-	2-L7	-30180-	2-D8	51409-60010-	3-M5	52011-90304-	3-J1	53810-90341-	3-L1	-90310-	3-C3
47323-60050-	2-L7	48113-60062-	2-D8	51421-60012-	3-A1	-90305-	3-J1	-90344-	3-L1	55707-90311-	3-C3
-60090-	2-L7	48114-60180-	2-D8	-60030-	3-A1	53016-60011-	3-A2	-90348-	2-L1	-90319-	3-C3
-60091-	2-L7	48115-60063-	2-D8	51422-60010-	3-B1	-60050-	3-A2	-90804-	3-L1	-90812-	3-C3
47325-60020-	2-L7	48116-60063-	2-D8	-60030-	3-A1	53016-60011-	3-A2	53820-90080-	3-L1	55708-60011-	3-F2
-60040-	2-L7	-60130-	2-D3	51433-60020-	3-B1	-60031-	3-A2	-90083-	3-L1	55709-60011-	3-F2
47326-60020-	2-L7	48117-60042-	2-D8	-60021-	3-B1	53106-90304-	3-J1	-90088-	3-L1	55786-90311-	3-F2
-60040-	2-L7	-60180-	2-D8	51434-60030-	3-B1	-90803-	3-J1	-90282-	3-L1	55905-12070-	3-K9
47329-60051-	2-L7	48141-60062-	2-D8	-60031-	3-B1	-90807-	3-J1	-90286-	3-L1	55956-90300-	3-G2
-60070-	2-L7	-60081-	2-D8	51441-60013-	3-C1	53107-90300-	3-J1	-90288-	3-L1	55957-90300-	3-G2
47341-60030-	2-M7	-60081-	2-D8	-60040-	3-C1	53111-90302-	3-J1	-90289-	3-L1	56111-90301-	3-G2
-60031-	2-M7	48117-60081-	2-D8	51453-60072-	3-C1	53148-90300-	3-J1	55031-90818-	3-D2	-90303-	3-G2
47343-60020-	2-M7	48147-60061-	2-D8	-60021-	3-C1	53149-90600-	3-J1	53101-90807-	3-B2	56121-90301-	3-G2
-60021-	2-M7	48202-60122-	2-G8	51454-60013-	3-C1	53154-60010-	3-J1	-60822-	3-B2	56211-90300-	3-G2
47351-60080-	2-M7	-60202-	2-G8	-60031-	3-C1	-90800-	3-J1	-90830-	3-B2	-90801-	3-G2
-60191-	2-M7	48210-60121-	2-G8	51464-90800-	3-J1	53162-90500-	3-A2	-90849-	3-B2	-90802-	3-G2
47354-60010-	2-M7	-60201-	2-G8	51495-60032-	3-C1	53166-90301-	3-A2	-90864-	3-B2	56301-90325-	3-G2

# F16

## ILLUSTRATED INDEX

<p>2-A1 (31-01) 1</p>  <p>Clutch &amp; Release Fork</p>	<p>2-H1 (33-01) 2</p>  <p>Transmission Assy</p>	<p>2-J1 (33-02) 3</p>  <p>Transmission Case</p>	<p>2-I1 (33-04) 4</p>  <p>Speedometer Drive Gear</p>	<p>2-M1 (33-05) 5</p>  <p>Transmission Gear</p>	<p>2-E2 (33-07) 6</p>  <p>Gear Shift Fork</p>	<p>2-12 (33-12) 7</p>  <p>Shift Lever &amp; Retainer</p>	
<p><b>POWER TRAIN • CHASSIS GROUP (1/2)</b></p> 							<p>2-K2 (36-08) 8</p>  <p>Transfer Assy</p>
<p>2-D5 (43-03) 9</p>  <p>Front Axle Hub</p>		<p>2-L2 (36-09) 10</p>  <p>Transfer Case</p>					
<p>2-C5 (43-02) 11</p>  <p>Drive Shaft</p>		<p>2-A3 (36-10) 12</p>  <p>Transfer Gear</p>					
<p>2-M4 (43-01) 13</p>  <p>Front Axle Housing</p>		<p>2-D3 (36-11) 14</p>  <p>Transfer Lever</p>					
<p>2-K4 (41-03) 17</p>  <p>Wheel Assy &amp; Cap</p>	<p>2-H4 (41-02) 15</p>  <p>Rear Axle Shaft</p>	<p>2-C4 (41-01) 16</p>  <p>Rear Axle Housing</p>	<p>2-F3 (37-01) 14</p>  <p>Propeller Shaft</p>	<p>2-13 (38-02) 13</p>  <p>Winch</p>	<p>2-H3 (38-01) 15</p>  <p>Winch Kit</p>		

MC 7442-A

FIG. 31-05

GENUINE TOYOTA PARTS

2-G1

GENUINE TOYOTA PARTS

PR. NO. DATE	MODELS	DESCRIPTION	PART NUMBER	REV. REF. CASE		PR. NO. DATE	MODELS	DESCRIPTION	PART NUMBER	REV. REF. CASE	
				FROM	UP TO					FROM	UP TO
FIG.	31-05	CLUTCH RELEASE CYLINDER									
	↔ 31470 ↔	CYLINDER ASSY. CLUTCH RELEASE				8008-8410	↔ BJ42, FJ40 ↔	↔ 31478 ↔ CAP. RELEASE CYLINDER BLEEDER PLUG	31478-30010-	1	1 80
2132-8110	BJ42		31470-60050-								
8110-8410	BJ42		31470-60110-		80			↔ 31479 ↔ SUPPORT. RELEASE CYLINDER			
8008-8309	FJ40		31470-60021-			8008-8309	FJ40		31479-60330-		1
	↔ 31470A ↔	BOLT (FOR CLUTCH RELEASE CYLINDER SETTING)									
8308-8410	BJ42		91611-40828- (91611-40828-	2	80						
8008-8309	FJ40		91611-41055- (91611-41055-	2							
	↔ 31470K ↔	CYLINDER KIT. CLUTCH RELEASE									
8008-8110	BJ42		04313-40021-	1	6						
8110-8410	BJ42		04313-60040-	1	80						
8308-8309	FJ40		04313-60020-	1							
	↔ 31473 ↔	ROD. RELEASE CYLINDER PUSH. NO. 1									
8308-8110	BJ42		31473-30020-	1	6						
8110-8410	BJ42		31473-60090-	1	80						
8008-8309	FJ40		31473-60061-	1							
	↔ 31474 ↔	ROD. RELEASE CYLINDER PUSH. NO. 2									
8008-8410	BJ42		31474-30020-	1	80						
	↔ 31475 ↔	KIT. RELEASE CYLINDER PUSH ROD									
8008-8309	FJ40		31475-60020-	1							
	↔ 31476 ↔	ROD. RELEASE CYLINDER									
8008-8110	BJ42		31476-40010-	1	6						
8110-8410	BJ42		31476-60060-	1	80						
8008-8309	FJ40		31476-60031-	1							
	↔ 31477 ↔	PLUG. BLEEDER (FOR RELEASE CYLINDER)									
8008-8410	BJ42, FJ40		47547-12010-	1	40						

FIG. 33-07

## GENUINE TOYOTA PARTS

2-G2

## GENUINE TOYOTA PARTS

PROD. DATE	MODELS	DESCRIPTION	PART NUMBER	QTY	REV. #1 CODE		PROD. DATE	MODELS	DESCRIPTION	PART NUMBER	QTY	REV. #1 CODE	
					FROM	UP TO						FROM	UP TO
8210-8410	BJ42	PLUNGER, REVERSE & 5TH SHIFT RETURN	33226-60010-	1	19	80	8210-8410	BJ42	RING, E (FOR REVERSE SHIFT FORK SHAFT)	90523-15025-	1	19	80
8210-8410	BJ42	SPRING, COMPRESSION (FOR 1ST & 2ND SHIFT RETURN PLUNGER)	90501-14076-	1	19	80	8210-8410	BJ42	SHAFT, 1ST & 2ND SHIFT FORK	33242-60030-	1	19	80
8210-8410	BJ42	SPRING, COMPRESSION (FOR REVERSE & 5TH SHIFT RETURN PLUNGER)	90501-14069-	1	19	80	8008-8309	BJ42, FJ40..4F		33242-60010-	1	1	
8210-8410	BJ42	RING, SHAFT SNAP (FOR 1ST & 2ND SHIFT RETURN PLUNGER)	90520-07001-	1	19	80	8210-8410	BJ42	SHAFT, 5TH SHIFT FORK	33244-60010-	1	19	80
8210-8410	BJ42	RING, SHAFT SNAP FOR REVERSE & 5TH SHIFT RETURN PLUNGER	90520-07001-	1	19	80	8210-8410	BJ42	SHIFT, 3RD & 4TH SHIFT FORK	33245-60070-	1	19	80
8008-8309	BJ42, FJ40..4F	HEAD, REVERSE SHIFT	33202-36011-	1	1		8008-8309	BJ42, FJ40..4F		33243-60031-	1	1	
8008-8309	BJ42, FJ40..4F	SPRING, REVERSE SHIFT RESTRICT	90501-14035-	1	1		8210-8410	BJ42	SHAFT, 5TH SHIFT ARM	33245-60031-	1	19	80
8008-8309	BJ42, FJ40..4F	BALL, REVERSE SHIFT RESTRICT	90360-26004-	1	1		8210-8410	BJ42	SEAL, OIL (FOR 5TH SHIFT ARM SHAFT)	90311-16002-	1	19	80
8210-8410	BJ42	HEAD, 1ST & 2ND SHIFT	33203-60010-	1	19	80	8210-8410	BJ42	RING, SHAFT SNAP (FOR 3RD & 4TH SHIFT FORK SHAFT)	90520-14002-	1	19	80
8008-8309	BJ42, FJ40..4F	HEAD, REVERSE & 5TH SHIFT	33232-60010-	1	1		8210-8410	BJ42	LEVER, SHIFT & SELECT	33251-60040-	1	19	80
8210-8410	BJ42	RING, E (FOR REVERSE & 5TH SHIFT HEAD)	90523-15025-	2	19	80	8210-8410	BJ42	LEVER, SHIFT, INNER NO.1	33251-60021-	1	19	80
8210-8410	BJ42	SHAFT, REVERSE SHIFT FORK	33241-60040-	1	19	80	8210-8410	BJ42	BOLT, SET (FOR SHIFT & SELECT LEVER)	90113-08001-	1	19	80
8008-8309	BJ42, FJ40..4F		33241-60040-	1	1		8210-8410	BJ42	WASHER, LOCK (FOR SHIFT & SELECT LEVER)	90215-07003-	1	19	80
							8210-8410	BJ42	SHAFT, SHIFT & SELECT LEVER	33261-60030-	1	19	80

FIG. 37-01

## GENUINE TOYOTA PARTS

2-G3

## GENUINE TOYOTA PARTS

PROO. DATE	MODELS	DESCRIPTION	PART NUMBER	QTY	REV. REF. CLINE		PROO. DATE	MODELS	DESCRIPTION	PART NUMBER	QTY	REV. REF. CODE	
					FROM	UP TO						FROM	UP TO
8008-8509	BJ42, FJ40, 4F	SHAFT ASSY, PROPELLER	37110-60260-	1	19		8008-8405	BJ42, FJ40	RING, HOLE SNAP (FOR SPIDER BEARING)	90520-29002-	16	1	84
		CONTINUED							T=1.33				
8408-8410	BJ42	BOLT, HEXAGON (FOR PROPELLER SHAFT SETTING)	90105-11013-	12	83	85	8008-8405	BJ42, FJ40		90520-29286-	16	1	84
									T=1.50				
8008-8210	BJ42, FJ40		90105-11011-	12	1				90520-29287-	16	1	84	
8210-8408	BJ42, FJ40		90105-11011- (90105-11013-	12		82			90520-29288-	16	1	84	
8210-8408	BJ42	SHAFT ASSY, PROPELLER, FRONT	37140-60150-	1	14	82	8405-8410	BJ42	BEARING, UNIVERSAL JOINT SPIDER	37402-36050-	16	85	80
8408-8410	BJ42		37140-60151-	1	83	80							
8008-8309	BJ42, FJ40, 4F		37140-60090-	1	1								
8210-8410	BJ42	YOKE SUB-ASSY, UNIVERSAL JOINT SLEEVE	37302-36010-	1	19	80	8210-8410	BJ42		37302-36010-	1	19	80
8210-8410	BJ42		37302-60040-	1	19	80							
8008-8410	BJ42, FJ40, 4F		37302-36010-	2	1	80							
8408-8410	BJ42	YOKE, UNIVERSAL JOINT FLANGE	37315-36020-	4	83	80	8008-8408	BJ42, FJ40		37315-36010-	4	1	82
8008-8204	BJ42, FJ40	COVER, SLIDING SHAFT DUST	37305-36010-	2	1	80	8008-8204	BJ42, FJ40		37305-36010-	2	1	80
8204-8410	BJ42, FJ40		37305-36010-	2		80							
8408-8410	BJ42	SPIDER KIT, UNIVERSAL JOINT	04371-36030-	4	5	80	8008-8405	BJ42, FJ40		04371-36021- (04371-36030-	4	1	84
8008-8405	BJ42, FJ40		04371-36021- (04371-36030-	4		84							
8408-8410	BJ42	RING, HOLE SNAP (FOR SPIDER BEARING)	90520-29014-	16	85	80	8408-8410	BJ42	T=2.00	90520-29014-	16	85	80
8408-8410	BJ42		90520-29025-	16	85	80			T=2.06	90520-29026-	16	85	80
8408-8410	BJ42		90520-29026-	16	85	80			T=2.09	90520-29027-	16	85	80

FIG. 41-01

GENUINE TOYOTA PARTS

2-C4

GENUINE TOYOTA PARTS

PROD. DATE	MODELS	DESCRIPTION	PART NUMBER	QTY	REV. REF. CODE		PROD. DATE	MODELS	DESCRIPTION	PART NUMBER	QTY	REV. REF. CODE	
					FROM	TO						FROM	TO
8008-8410	BJ42-FJ40	CLAMP (FOR REAR AXLE BRATHER HOSE)	90461-10387-	1	1	AG							

FIG. 45-01 STEERING COLUMN & GEAR HOUSING

2-G5

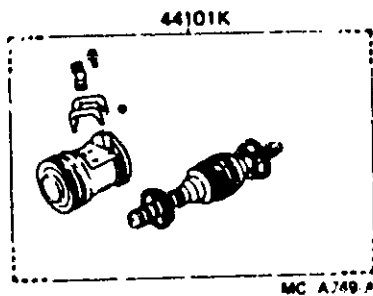
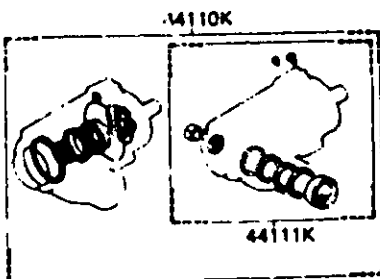
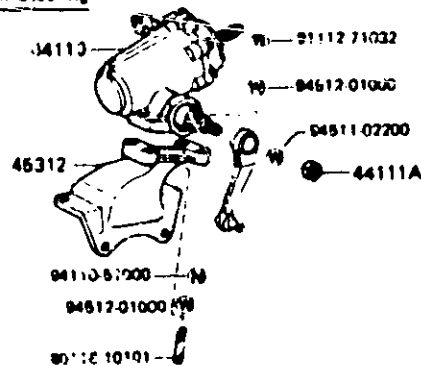
(8008-8210)FJ40; (8210- 1BJ42,FJ40

(8008-8210)FJ40; (8210- 1BJ42,FJ40

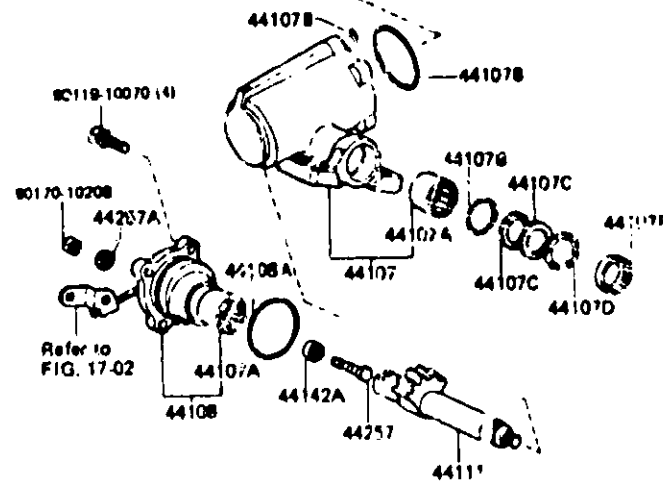
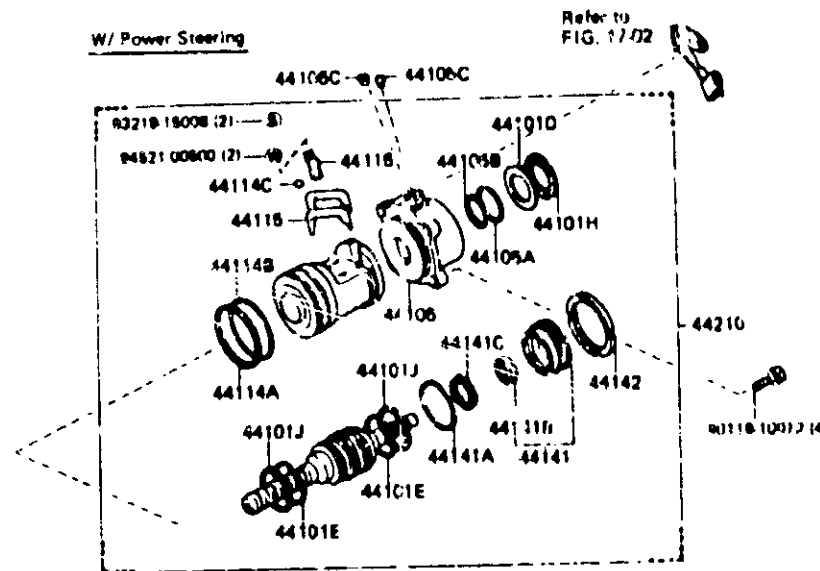
ILLUST.NO. 20F3

ILLUST.NO. 30F3

W/ Power Steering



W/ Power Steering



MC 6054 E

FIG. 45-05 STEERING LINK

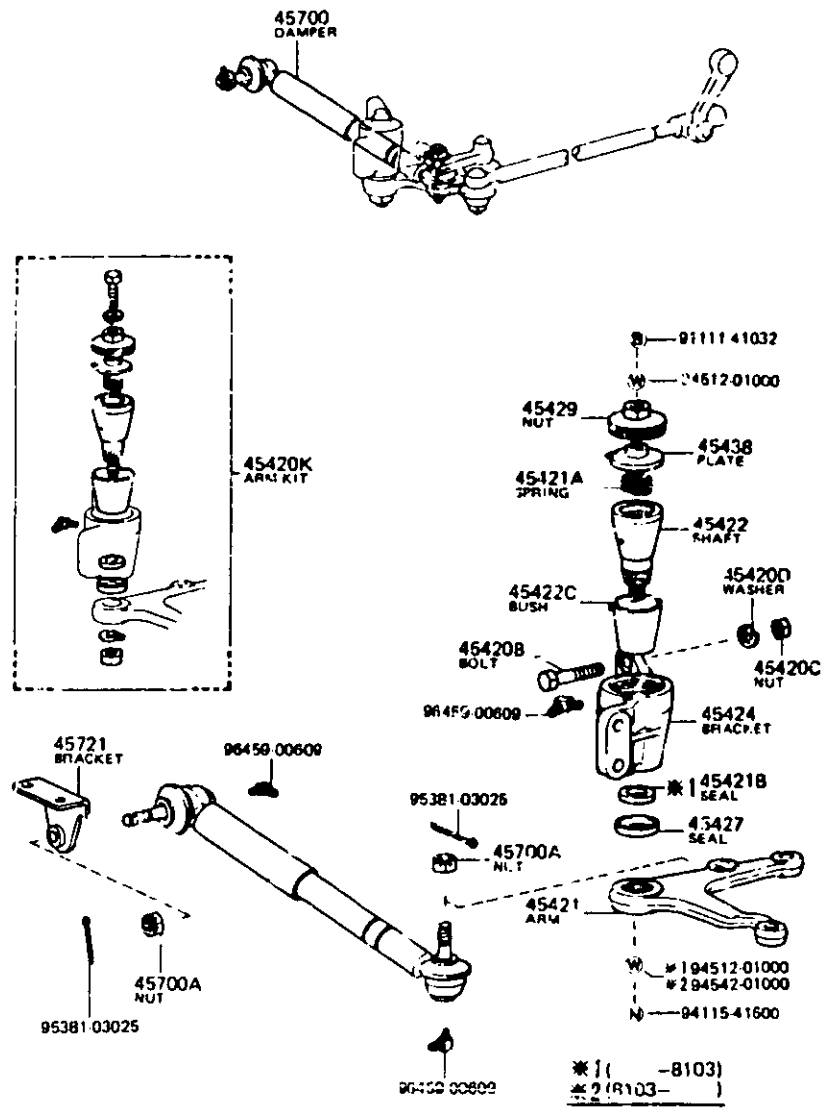
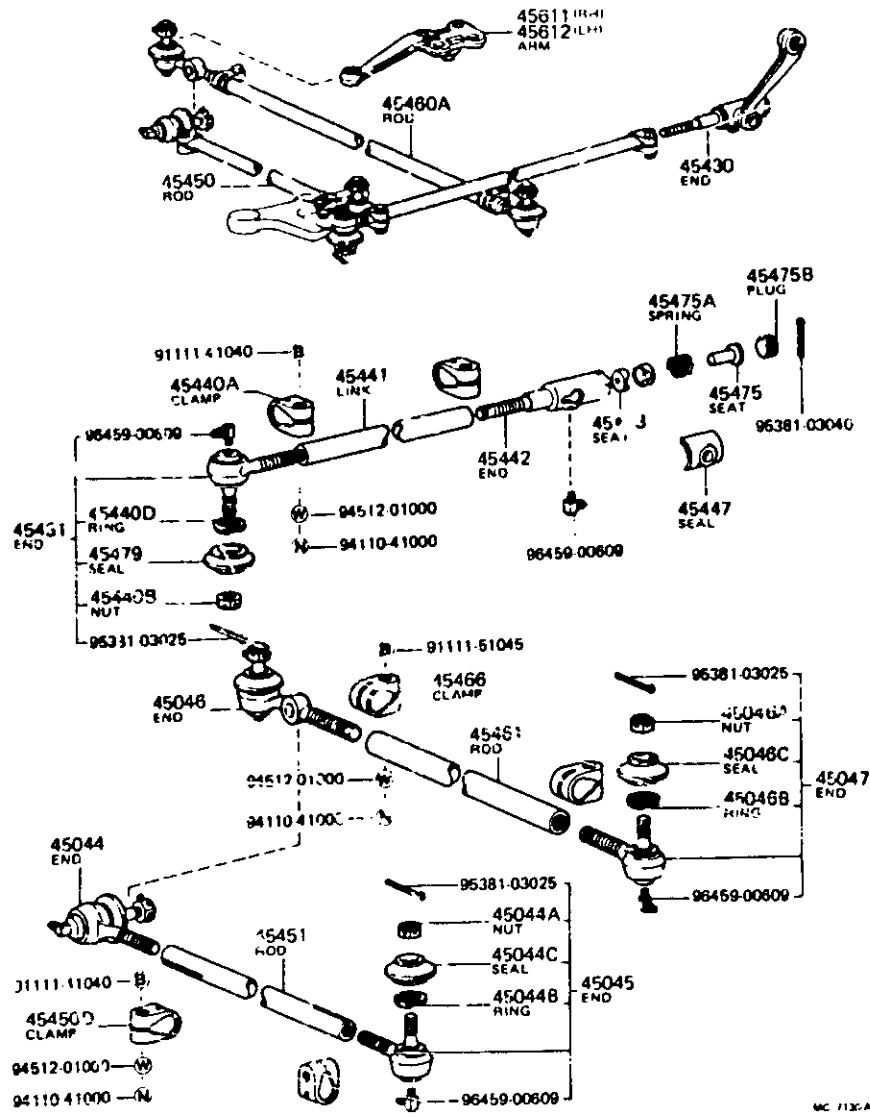
2-G6

(8008- )

(8008- )

ILLUST. NO. 10F2

ILLUST. NO. 20F2



MC 713A

MC 7131 C

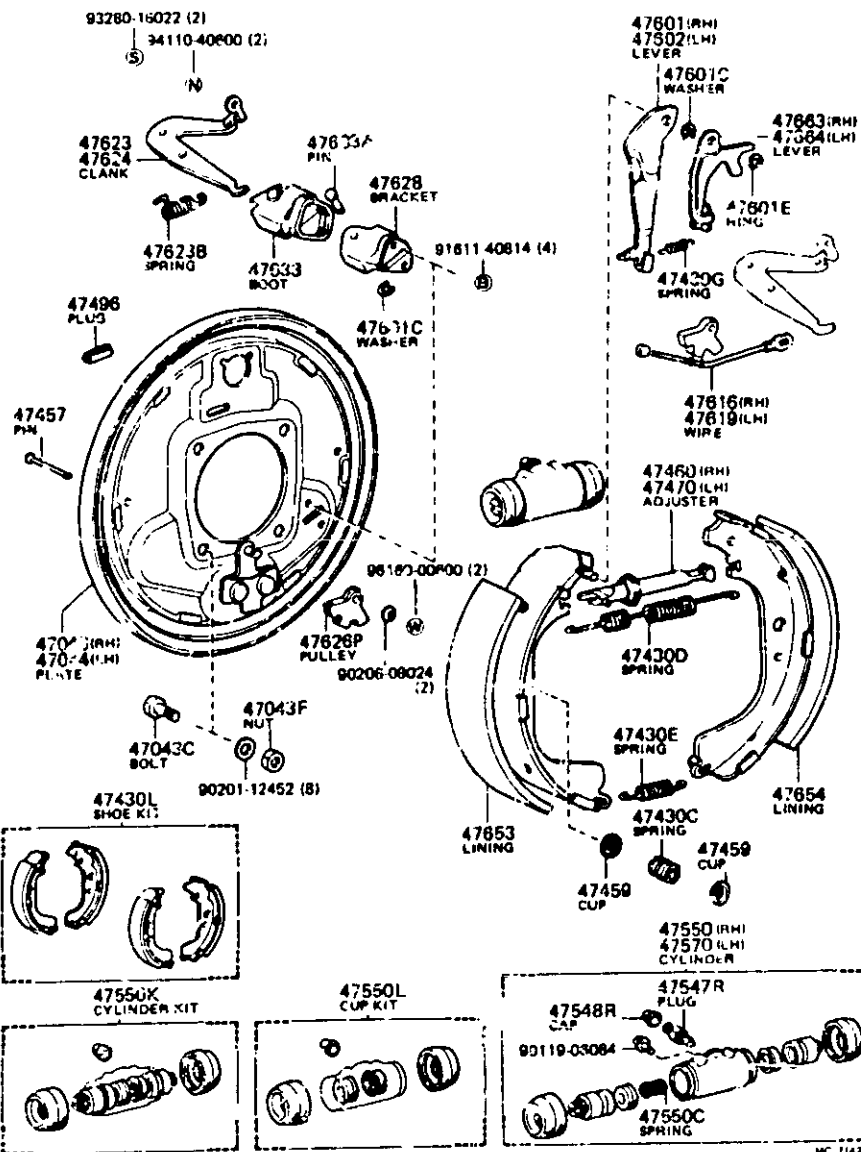


FIG. 47-06 REAR BACKING PLATE & WHEEL CYLINDER

2-G7

GENUINE TOYOTA PARTS

(8098-



PROO. DATE	MODELS	DESCRIPTION	PART NUMBER	REV. REF. CODE	
				FROM	UP TO
FIG.	47-06 REAR BACKING PLATE & WHEEL CYLINDER				
8008-8410	BJ42, FJ40	47043 PLATE SUB-ASSY, BRAKE BACKING, REAR RH	47043-60050-	1	1 80
8008-8410	BJ42, FJ40	47043C BOLT (FOR BACKING PLATE TO REAR AXLE HOUSING ATTACHMENT)	90101-12021-	6	1 80
8008-8410	BJ42, FJ40	47043F NUT (FOR BACKING PLATE TO REAR AXLE HOUSING ATTACHMENT)	94115-71200-	1	1 80
8008-8410	BJ42, FJ40	47044 PLATE SUB-ASSY, BRAKE BACKING, REAR LH	47044-60010-	1	1 80
8008-8410	BJ42, FJ40	47430C SPRING (FOR REAR BRAKE SHOE HOLD DOWN)	90501-20012-	4	1 80
8008-8104	BJ42, FJ40	47430D SPRING, TENSION (FOR REAR BRAKE SHOE RETURN)	90506-26011-	2	1 80
8104-8410	BJ42, FJ40	RH	91506-26014-	1	1 80
8104-8410	BJ42, FJ40	LH	91506-26014-	1	1 80
8008-8410	BJ42, FJ40	47430E SPRING, TENSION (FOR REAR BRAKE SHOE RETURN)	90506-18031-	2	1 80
8008-8410	BJ42, FJ40	47430G SPRING, TORSION (FOR REAR BRAKE AUTOMATIC ADJUST LEVER)	90506-12031-	2	1 80
8008-8410	BJ42, FJ40	47430L SHOE KIT, REAR BRAKE	04495-60010-	1	1 80
8005-8410	BJ42, FJ40	47457 PIN, SHOE HOLD DOWN SPRING (FOR REAR BRAKE)	47447-60010-	4	1 80
8008-8410	BJ42, FJ40	47459 CUP, SHOE HOLD DOWN SPRING (FOR REAR BRAKE)	47449-30020-	8	1 80
8409-8410	BJ42	47460 ADJUSTER ASSY, SHOE, RH (FOR REAR BRAKE)	47061-60011-	1	1 80

FIG. 48-04

## GENUINE TOYOTA PARTS

2-G8

## GENUINE TOYOTA PARTS

PROD. DATE	MODELS	DESCRIPTION	P P	PART NUMBER	QTY	REV. REF. CODE		PROD. DATE	MODELS	DESCRIPTION	P P	PART NUMBER	QTY	REV. REF. CODE	
						FROM	UP TO							FROM	UP TO
FIG.	48-04	REAR SPRING & SHOCK ABSORBER													
	48046	SEAT SUB-ASSY, SPRING U BOLT, RH													
8008-8410	BJ42,FJ40			48046-60032-	1	1	80								
	48046A	BOLT, U (FOR REAR SPRING)													
8008-8410	BJ42,FJ40	L=175,D=14 W/DISTANCE E PLATE		90118-14107-	2	1	80								
8008-8410	BJ42,FJ40	L=170,D=14		90118-14158-	4	1	80								
	48047	SCAT SUB-ASSY, SPRING U BOLT, LH													
8008-8410	BJ42,FJ40			48047-60032-	1	1	80								
	48210	SPRING ASSY, REAR RH													
8008-8410	BJ42,FJ40			48210-60121- (48210-60310-)	1	1	80								
	48210A	BUSH (FOR REAR SPRING SHACKLE UPPER)													
8008-8410	BJ42,FJ40			90389-18002-	4	1	80								
	48210B	BUSH (FOR REAR SPRING PIN)													
8008-8410	BJ42,FJ40			90389-18002-	4	1	80								
	48210G	BUSH (FOR REAR SPRING SHACKLE LOWER)													
8008-8410	BJ42,FJ40			90389-18002-	4	1	80								
	48210K	SHACKLE KIT, REAR SPRING													
8008-8410	BJ42,FJ40			04481-60020-	2	1	80								
	48210L	PIN KIT, REAR SPRING													
8008-8410	BJ42,FJ40			04482-60040-	1	1	80								
	48211	LEAF, REAR SPRING, NO.1													
8008-8410	BJ42,FJ40	PASSENGER SEAT SIDE		48211-60122-	1	1	80								
8008-8410	BJ42,FJ40	DRIVERS SE AT SIDE		48211-60202-	1	1	80								
	48212	LEAF, REAR SPRING, NO.2													
8008-8410	BJ42,FJ40	PASSENGER SEAT SIDE		48212-60122-	1	1	80								
8008-8410	BJ42,FJ40	DRIVERS SE AT SIDE		48212-60202-	1	1	80								
	48213	LEAF, REAR SPRING, NO.3													
8008-8410	BJ42,FJ40	PASSENGER SEAT SIDE		48213-60122-	1	1	80								
8008-8410	BJ42,FJ40	DRIVERS SE AT SIDE		48213-60202-	1	1	80								
	48214	LEAF, REAR SPRING, NO.4													
8008-8410	BJ42,FJ40	PASSENGER SEAT SIDE		48214-60122-	1	1	80								
8008-8410	BJ42,FJ40	DRIVERS SE AT SIDE		48214-60202-	1	1	80								
	48215	LEAF, REAR SPRING, NO.5													
8008-8410	BJ42,FJ40	PASSENGER SEAT SIDE		48215-60123-	1	1	80								
8008-8410	BJ42,FJ40	DRIVERS SE AT SIDE		48215-60202-	1	1	80								
	48216	LEAF, REAR SPRING, NO.6													
8008-8410	BJ42,FJ40	PASSENGER SEAT SIDE		48216-60122-	1	1	80								
8008-8410	BJ42,FJ40	DRIVERS SE AT SIDE		48216-60202-	1	1	80								
	48220	SPRING ASSY, REAR LH													
8008-8410	BJ42,FJ40			48220-60101-	1	1	80								
	48241	CLIP, REAR SPRING, NO.1													
8008-8410	BJ42,FJ40			48241-60012-	4	1	80								
	48247	BOLT, REAR SPRING, CENTER													
8008-8410	BJ42,FJ40			48247-60121-	2	1	80								
	48284	NUT, REAR SPRING CENTER BOLT													
8008-8410	BJ42,FJ40			48284-60062-	2	1	80								

56301 - 67559

G14

67561 - 74559

PART NUMBER	LOCATION	PART NUMBER	LOCATION	PART NUMBER	LOCATION	PART NUMBER	LOCATION	PART NUMBER	LOCATION	PART NUMBER	LOCATION
56301-90802-	3-G2	61320-90305-	3-C3	63205-90300-	3-G5	67561-95400-	3-A4	69052-90802-	3-M4	71073-90800-	3-C5
56306-90302-	3-G2	-90309-	3-C3	63206-90300-	3-G5	67562-95400-	3-B4	69057-60011-	3-M4	71074-90800-	3-C5
56307-90302-	3-H2	61501-90312-	3-C3	63207-90300-	3-G5	67563-95400-	3-A4	-938C1-	3-M4	71075-90079-	3-C5
56313-90300-	3-M2	-90315-	3-C3	63208-90300-	3-G5	67564-95400-	3-B4	-90802-	3-M4	71081-90300-	3-C5
56409-40010-	3-E2	-9031A-	3-C3	63222-90303-	3-G5	57569-90300-	3-B4	-90803-	3-M4		3-D5
56457-60010-	3-M2	-90829-	3-C3	63232-90303-	3-G5	67510-90304-	3-L3	69058-9030-	3-M4	71088-90800-	3-J5
58017-90800-	3-L2	61502-90316-	3-C3	63311-90302-	3-I3	67620-90304-	3-L3	-90802-	3-M4	71382-60010-	3-J4
58101-90809-	3-J2	-90319-	3-C3	64901-90316-	3-M4	67801-90300-	3-L3	-903C5-	3-M4	71410-90082-	3-C5
-90828-	3-J2	61534-60011-	3-C3	64902-90306-	3-M4	67802-90300-	3-L3	69054-60021-	3-M4	-90801-	3-C5
-90829-	3-J2	61549-90800-	3-C3	64917-60010-	3-J4	67847-90800-	3-M4	-60041-	3-M4	71420-90042-	3-C5
-90842-	3-J2	61601-90846-	3-D3	64918-60010-	3-J4	67861-90300-	3-L3	69201-60023-	3-J4	-90801-	3-C5
-90882-	3-J2	-90875-	3-D3	64921-60010-	3-D3	67862-90300-	3-L3	69210-60300-	3-C4	71430-90800-	3-C5
58291-90327-	3-J2	61602-90819-	3-D3	-9030-	3-D3	64095-60020-	3-J4	69220-90300-	3-C4	71440-90800-	3-C5
58221-90300-	3-L2	-90820-	3-D3	64922-90302-	3-M4	68105-90302-	3-M3	69233-90800-	3-C4	71609-90301-	3-C5
58261-90800-	3-J2	61603-90344-	3-C3	64923-90300-	3-M4	-90303-	3-M3	69249-90300-	3-J4	71700-90800-	3-C5
-90801-	3-J2	-90348-	3-C3	6567-90300-	3-K3	68111-90800-	3-L3	69250-90301-	3-C4	-90801-	3-C5
58262-90084-	3-J2	61604-90344-	3-C3	65801-90300-	3-K3	-90600-	3-M3	69260-10040-01	3-E4	71812-30010-	3-C5
58263-90300-	3-J2	-90348-	3-D3	-90302-	3-K3	-90801-	3-M3	-90301-	3-C4	71821-90300-	3-D5
-90800-	3-J2	61683-90300-	3-D3	-90702-	3-K3	-90802-	3-M3	69265-60010-	3-K4	71822-90300-	3-D5
58268-90800-	3-J2	61687-90307-	3-D3	65802-90300-	3-K3	-90803-	3-M3	69266-2210-01	3-E4	71910-90801-03	3-C5
58274-90300-	3-J2	61683-90307-	3-D3	-90302-	3-K3	68121-90302-	3-B4	69270-90801-01	3-C4	71950-90301-	3-C5
58276-90300-	3-J2	61691-90300-	3-D3	65803-90307-	3-K3	-90303-	3-B4	69271-10920-	3-K4	71956-30020-01	3-C5
58277-90300-	3-C3	61697-90300-	3-D3	65805-60020-	3-K3	68131-90303-	3-M4	69273-20011-01	3-C4	71990-30020-01	3-C5
		61802-90302-	3-F6	65811-90801-	3-K3	-90304-	3-M4	69280-90601-01	3-C4	72110-90333-	3-C5
58280-90305-	3-J2	61824-90302-	3-F6	65812-90801-	3-K3	68160-90300-	3-M3	69285-90801-01	3-F5	72120-90333-	3-D5
-90400-	3-J2	62641-90300-	3-I1	65815-90300-	3-K3	-90301-	3-M3		3-J4	72130-90333-	3-D5
58288-90370-	3-J2	62704-90300-	3-E3	65816-90300-	3-K3	-90802-	3-M3	69310-90300-	3-C4	72520-90300-	3-D5
58301-90810-	3-K2	62711-90303-	3-E3	65818-90301-	3-K3	-90803-	3-M3	-90301-	3-J4	72525-14010-01	3-D5
-90816-	3-K2	-90304-	3-E3	-90800-	3-K3	68170-90302-	3-M3	-90800-	3-C4	72576-14010-01	3-D5
-90826-	3-K2	62712-90300-	3-E3	65819-90301-	3-K3	68171-90301-	3-E4	69320-90300-	3-C4	72550-90300-	3-D5
-90830-	3-K2	-90301-	3-E3	65831-90301-	3-K3	68175-90301-	3-B4	-90800-	3-C4	-90301-	3-D5
58305-90301-	3-M5	62713-90300-	3-E3	65839-90300-	3-D3	68181-90300-	3-B4	69350-60010-	3-J4	72551-90A00-	3-D5
58309-90307-	3-K2	-90301-	3-E3	-90300-	3-K3	68182-90300-	3-B4	-90302-	3-J4	72552-90A00-	3-D5
-90308-	3-K2	62714-90300-	3-E3	65852-60011-	3-K3	68191-90300-	3-M3	-90800-	3-J4	72553-12020-	3-D5
5832-90800-	3-L2	-90301-	3-E3	65854-60012-	3-K3	68192-90300-	3-M3	69360-60010-	3-J4	73210-90803-	3-E5
58371-90303-	3-L2	62733-90300-	3-E3	65865-90300-	3-K3	68194-90800-	3-M3	-90302-	3-J4	-90812-	3-E5
58372-90300-	3-K2	-90303-	3-F3	65888-90302-	3-K3	68195-90800-	3-M3	69362-90301-	3-J4	73220-90802-	3-E5
58373-90300-	3-K2	62734-12010-	3-E3	65889-90302-	3-K3	68210-90801-	3-M3	69363-90301-	3-J4	73230-90301-	3-E5
58501-90302-	3-M2		3-F3	65898-90301-	3-K3	68291-60030-	3-M4	69380-90800-	3-J4	-90813-	3-E5
58510-90100-	3-M2	62741-90303-	3-F3	65899-90301-	3-K3	-90307-	3-M4	69388-90300-	3-J4	73240-90801-	3-E5
-90606-03	3-M2	62742-90300-	3-E3	65910-90806-	3-K3	68292-90302-	3-M4	69405-90300-	3-K4	-90810-	3-E5
58511-90279-	3-M2	62744-90300-	3-E3	65928-60010-	3-C5	68295-90300-	3-M4	69410-90300-	3-C4	73330-90300-	3-E5
-90813-03	3-M2	62797-90800-	3-E3		3-K3	68296-90300-	3-M4	69411-90300-	3-C4	74102-90800-	3-J5
58512-90300-	3-M2	62798-90800-	3-E3	67001-90800-	3-L3	68710-60010-	3-E4	69451-90302-	3-J4	74104-90800-	3-J5
58514-90300-	3-M2	-90801-	3-E3	-90802-	3-L3	68720-60012-	3-E4	69469-60010-	3-K4	74110-60010-	3-J5
-90800-03	3-M2	62910-90300-	3-F3	67002-90800-	3-L3	68898-90300-	3-E4	69511-60010-	3-M4	74130-90800-	3-J5
58515-90801-03	3-M2	62930-90300-	3-M3	-90802-	3-L3	68905-60030-	3-J4	69563-90300-	3-M4	74310-90303-	3-F5
58706-90800-	3-M5	62931-89103-	3-M3	67005-90806-	3-M4	-90305-	3-J4	69681-10040-	3-M4	74320-90303-	3-F5
58811-90800-	3-A3	62940-90300-	3-M3	-90813-	3-I4	68906-60020-	3-J4	69685-12010-	3-A5	74372-30030-	3-G9
58829-90800-	3-A3	62941-90300-	3-M3	-90815-	3-I4	68909-90301-	3-J4	-90400-	3-M4	74401-60022-	3-M5
58839-90800-	3-A3	63100-90801-	3-G3	67006-90810-	3-M4	-90311-	3-J4	69709-60011-	3-K4	-60031-	3-M5
58850-90800-	3-J2	63106-90303-	3-G3	-90814-	3-M4	68959-90301-	3-J4	69759-30021-	3-D4	-60051-	3-M5
58951-90300-	3-A4	63119-90300-	3-G3	67047-90300-	3-L3	68980-90300-	3-E4	-9500-	3-C4	74402-60010-	3-M5
61099-90300-	3-C3	63161-60011-	3-G3	67129-90301-	3-M4	69005-90315-	3-M4	69764-90702-	3-J4	-60011-	3-M5
61106-90310-	3-C3	63165-60310-	3-G3	67398-90801-	3-M4	-90316-	3-M4	69765-90302-	3-J4	74403-60050-	3-M5
-90311-	3-C3	-90801-	3-G3	67401-90301-	3-A4	-90320-	3-M4	69768-90300-	3-K4	74404-60060-	3-M5
-90801-	3-C3	63166-60010-	3-G3	67402-90301-	3-A4	-90803-	3-M4	69801-90303-	3-E4	74514-60022-	3-I5
-90202-	3-C3	63167-90302-	3-G3	67434-90300-	3-M3	-90806-	3-M4	-90304-	3-E4	74531-60161-	3-I5
61107-90317-	3-C3	63168-90302-	3-G3	67451-90301-	3-K4	-90807-	3-M4	69802-90303-	3-E4	74556-12112-	3-I5
-90801-	3-C3	-90300-	3-G3	67481-90301-	3-A4	-90304-	3-M4	-90304-	3-E4	-12113-	3-I5
61190-90300-	3-C5	67201-90304-	3-G5	67501-90301-	3-A4	-90801-	3-M4	69901-90800-	3-F4	-12114-	3-I5
61193-90300-	3-C5	67202-90307-	3-G5	67502-90301-	3-A4	-90802-	3-M4	-90801-	3-F4	-12116-	3-I5
61310-90310-	3-C5	67203-90307-	3-G5	67519-60011-	3-A4	69052-9015-	3-M4	69902-90800-	3-F4	74559-14050-	3-I5
-90312-	3-C5	67204-90300-	3-G5	67559-90300-	3-A4	-90801-	3-M4	71371-90345-	3-C5	-20030-	3-I5

G16

ILLUSTRATED INDEX

2-C1 (31-02) 1



Clutch Pedal

2-E1 (31-03) 2



Clutch Master Cylinder

2-F1 (31-05) 3



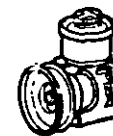
Clutch Release Cylinder

2-F5 (45-01) 4



Steering Column

2-M5 (45-02) 5



Vane Pump & Reservoir

2-C6 (45-03) 6



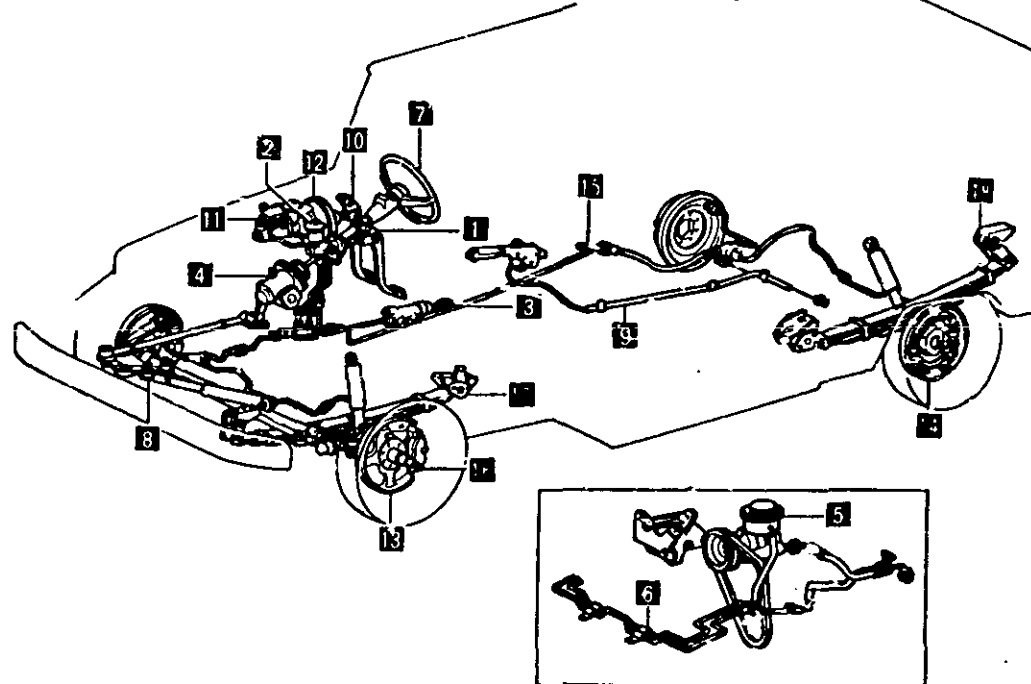
Oil Cooler & Tube

2-F6 (45-04) 7

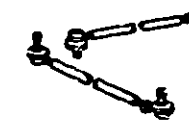


Steering Wheel

POWER TRAIN • CHASSIS GROUP (2 / 2)



2-G6 (45-05) 8



Steering Link

2-J6 (46-01) 9



Parking Brake & Control

2-L6 (47-01) 10



Brake Pedal & Bracket

2-M6 (47-02) 11



Brake Master Cylinder

2-F8 (48-04) 18



Rear Spring

2-C8 (48-03) 17



Front Spring

2-A8 (48-02) 16



Front Axle Arm

2-J7 (47-08) 15



Brake Tube & Clamp

2-G7 (47-06) 14



Rear Backing Plate

2-E7 (47-05) 13



Front Disc Brake Caliper

2-B7 (47-03) 12



Brake Booster

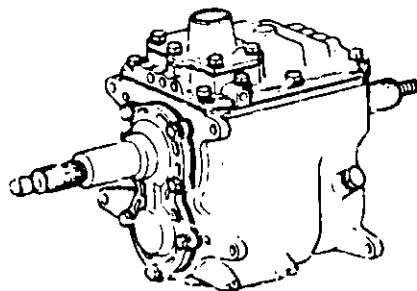
MC 7443

FIG.33-01 TRANSAXLE OR TRANSMISSION ASSY &  
GASKET KIT (MTM)

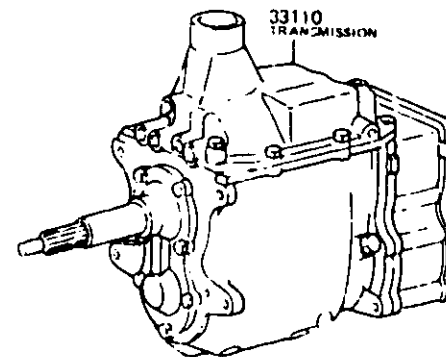
2-Hi

(8006-0309)4F

(8210- )5F

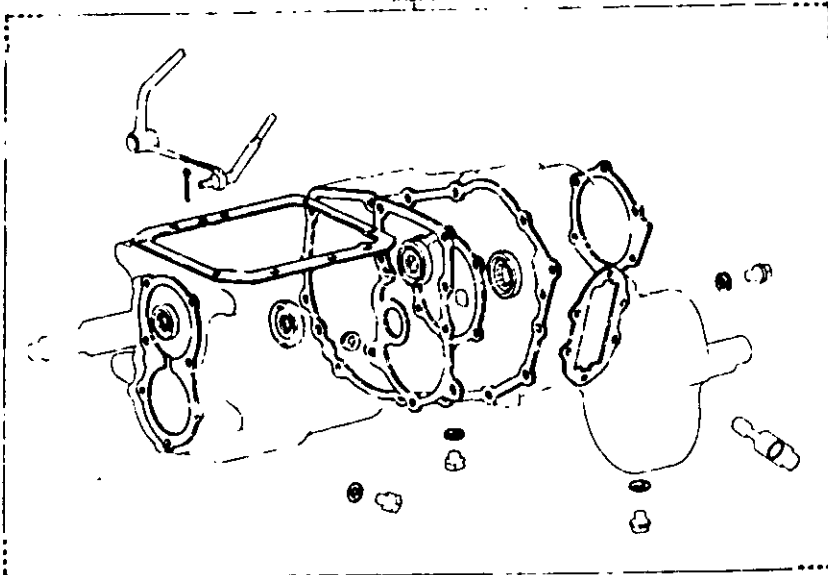


33110  
TRANSMISSION



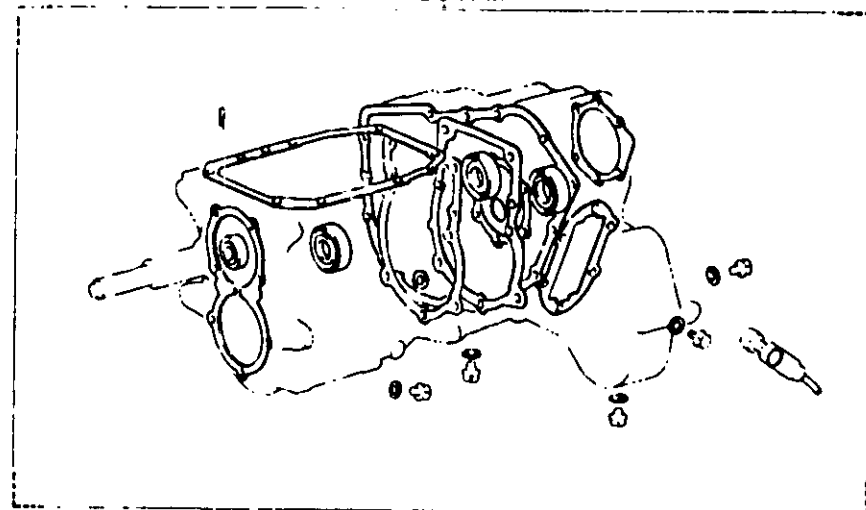
33110  
TRANSMISSION

33110K  
GASKET KIT



MC 7086

33110K  
GASKET KIT



MC 9032

FIG. 33-07

## GENUINE TOYOTA PARTS

2-H2

## GENUINE TOYOTA PARTS

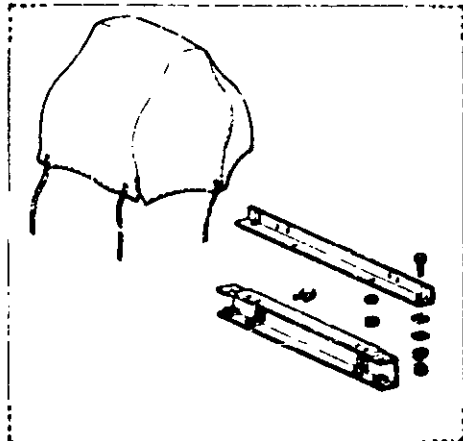
PROD. DATE	MODELS	DESCRIPTION	PART NUMBER	QTY	REV. REF. CODE		PROD. DATE	MODELS	DESCRIPTION	PART NUMBER	QTY	REV. REF. CODE	
					FROM	UP TO						FROM	UP TO
8003-8410	BJ42, FJ40	ROLLER, NO.1 (FOR SHIFT INTER-LCK)	90361-10037-	2	1	80							
8210-8410	BJ42	BALL (FOR SHIFT INTER-LOCK)	90360-10003-	2	19	80							
8008-8207	BJ42, FJ40	ROLLER, NO.2 (FOR SHIFT INTER-LOCK)	90250-05034-	1									
8207-8410	BJ42, FJ40		90361-05001-	1		80							
8210-8410	BJ42	SPRING, COMPRESSION (FOR SHIFT DETENT BALL SIDE)	90501-13011-	4	19	80							
8308-8309	BJ42, FJ40, 4F		90501-14772-	3									
8008-8410	BJ42, FJ40	BALL, SHAFT DETENT	90360-10003-	4	1	80							
8210-8410	BJ42	SEAT, SHIFT DETENT BALL SPRING, NO.2	90341-10004-	1	19	80							
8210-8410	BJ42	SPRING, COMPRESSION, NO.2 (FOR SHIFT DETENT BALL)	90501-10067-	1	19	80							
8210-8410	BJ42	BALL, SHIFT DETENT, NO.2	90360-08009-	1	19	80							
8210-8410	BJ42	PIN ASSY, REVERSE RESTRICT	33280-60010-	1	19	80							
8210-8410	BJ42	PLUG (FOR REVERSE RESTRICT PIN)	90341-12007-	1	19	80							
8210-8410	BJ42	PIN, SLOTTED SPRING (FOR REVERSE RESTRICT PIN)	90254-05016-	1	19	80							
8210-8410	BJ42	BOOT, DUST (FOR 5TH SHIFT ARM SHAFT)	33531-36040-	1	19	80							

FIG.38-01 WINCH KIT

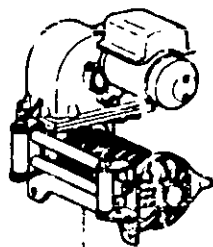
2-H3

GENUINE TOYOTA PARTS

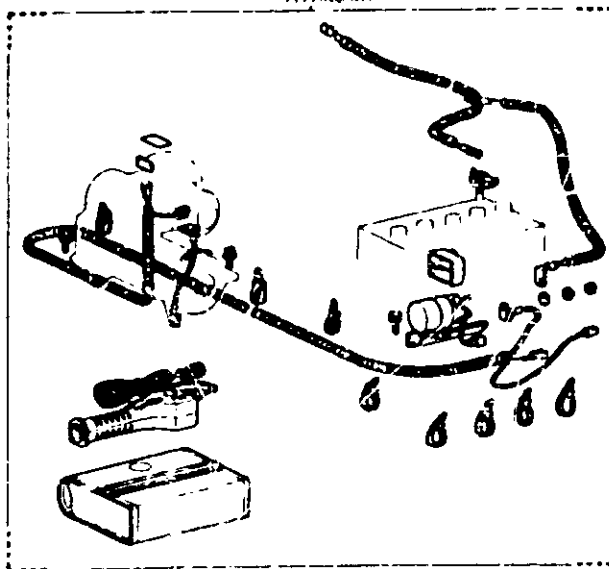
(8C08- )



38110M  
FITTING KIT



Refer to  
FIG. 36-15



38110N  
FITTING KIT

MC 719 B

PROD. DATE	MODELS	DESCRIPTION	P/	P/	PART NUMBER	QTY	REF. REF. CODE	
							FROM	UP TO
FIG.	38-01 WINCH KIT							
	↔ 38110M ↔	FITTING KIT, NO.1, WINCH						
8008-8410	BJ42, FJ40				04384-60030-	1	1	80
	↔ 38110N ↔	FITTING KIT, NO.2, WINCH						
8008-8410	BJ42				04384-60010-	1	1	80
8008-8206	FJ40				04384-60100-	1	1	
8206-8309	FJ40				04384-60101-	1		

FIG. 41-02 REAR AXLE SHAFT

2-H4

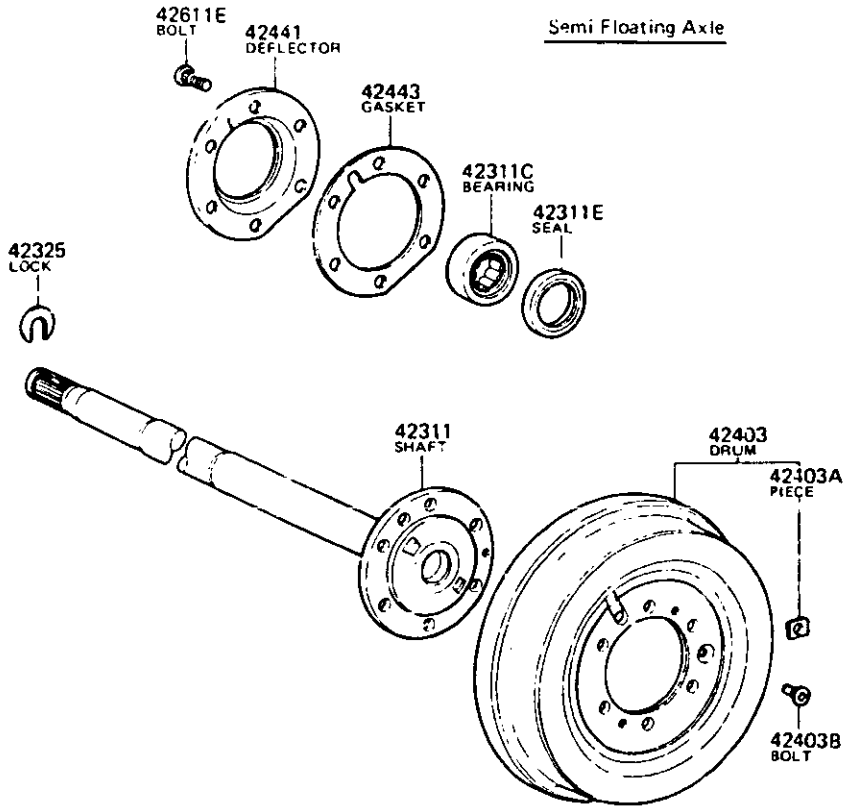
(8008- )

(8008-8110)

ILLUST. NO. 10F2

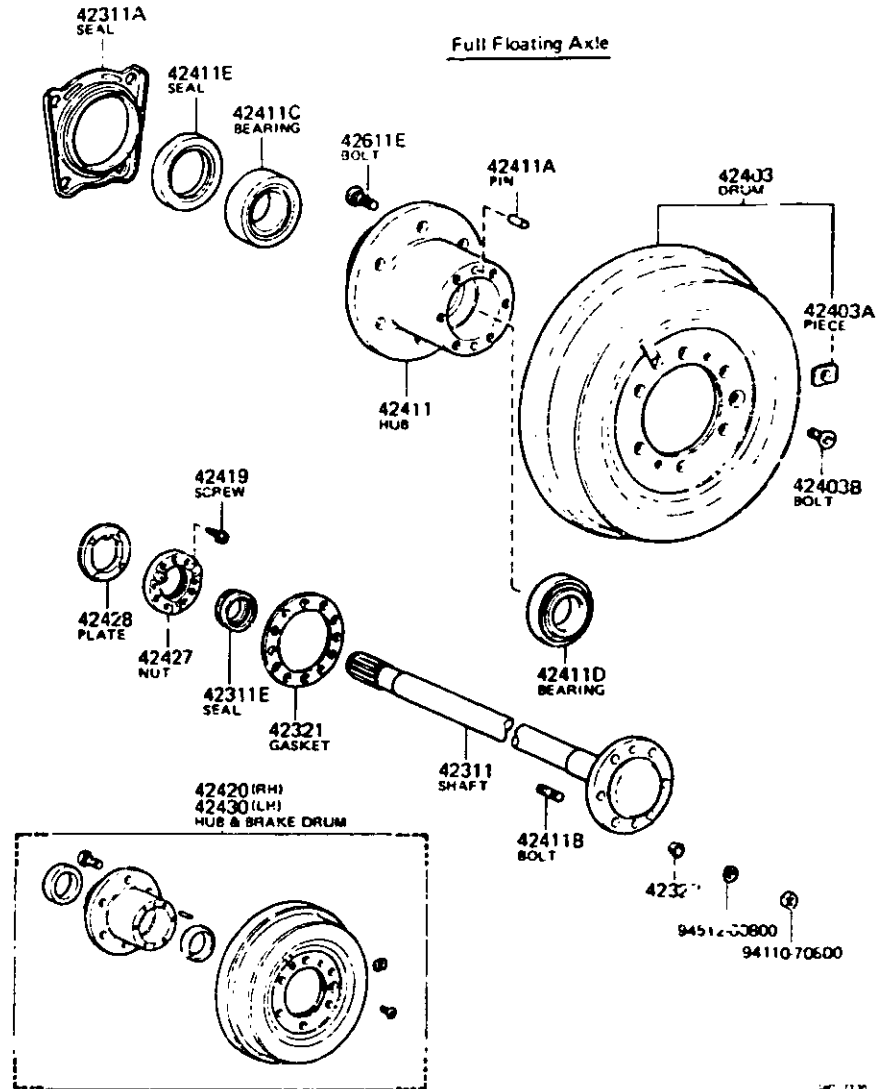
ILLUST. NO. 20F2

Semi Floating Axle



MC 7119

Full Floating Axle



MC 7120



FIG. 45-01

## GENUINE TOYOTA PARTS

2-H5

## GENUINE TOYOTA PARTS

PROD. DATE	MODELS	DESCRIPTION	P	PART NUMBER	QTY	REV. REF. CODE		PROD. DATE	MODELS	DESCRIPTION	P	PART NUMBER	QTY	REV. REF. CODE	
						FROM	UP TO							FROM	UP TO
FIG.	45-01	STEERING COLUMN & GEAR HOUSING													
	44101D	WASHER, PLATE (FOR STEERING WORM)													
8210-8410	BJ42,FJ40			90201-30003-	1	19	80					90410-06030-	1	19	80
8008-8210	FJ40				1	1	18						2	1	18
	44101E	RING, O (FOR STEERING WORM)													
8210-8410	BJ42,FJ40			90301-44001-	2	19	80					44107-60020-	1	19	80
8008-8210	FJ40				2	1	18						1	1	18
	44101H	BEARING, THRUST NEEDLE ROLLER (FOR STEERING WORM)													
8210-8410	BJ42,FJ40			90374-30003-	1	19	80								
8008-8210	FJ40				1	1	18								
	44101J	RING (FOR STEERING WORM)													
8210-8410	BJ42,FJ40			90562-47002-	2	19	80								
8008-8108	FJ40			90562-47001-	2	1	14								
8108-8210	FJ40			90562-47002-	2	15	18								
	44101K	WORM KIT, POWER STEERING													
8210-8410	BJ42,FJ40			04044-60040-	1	19	80								
8008-8210	FJ40				1	1	18								
	44105	HOUSING SUB-ASSY, VALVE													
8310-8410	BJ42			44105-30060-	1		80								
8210-8310	BJ42,FJ40			44105-30050-	1	19									
8008-8210	FJ40				1	1	18								
	44105A	RING, O (FOR VALVE HOUSING)													
8210-8410	BJ42,FJ40			90301-32002-	1	19	80								
8008-8210	FJ40				1	1	18								
	44105B	RING (FOR VALVE HOUSING)													
8210-8410	BJ42,FJ40			90562-30002-	1	19	80								
8008-8210	FJ40				1	1	18								
	44105C	SEAT, UNION (FOR VALVE BODY HOUSING)													
8210-8410	BJ42,FJ40														
8008-8210	FJ40														
	44107	HOUSING SUB-ASSY, POWER STEERING GEAR													
8210-8410	BJ42,FJ40														
8008-8210	FJ40														
	44107A	BEARING, NEEDLE ROLLER (FOR POWER STEERING GEAR HOUSING)													
8210-8410	BJ42,FJ40			90364-32001-	2	19	80								
8008-8210	FJ40				2	1	18								
	44107B	RING, O (FOR POWER STEERING GEAR HOUSING)													
8210-8410	BJ42,FJ40	OD=45.4,T=4.0		90301-35001-	1	19	80								
8210-8410	BJ42,FJ40	OD=70,T=2.5		90301-65145-	1	19	80								
8210-8410	BJ42,FJ40	OD=13.6,T=1.9		96711-19010-	1	19	80								
8008-8112	FJ40	OD=13,T=1.9		96710-01010- (96711-19010-)	1	1									
8008-8210	FJ40	OD=43.4,T=4.0		90301-35001-	1	1	18								
8008-8210	FJ40	OD=70,T=2.5		90301-65145-	1	1	18								
8112-8210	FJ40	OD=13.6,T=1.9		96711-19010-	1		18								
	44107C	RING (FOR POWER STEERING GEAR HOUSING)													
8210-8410	BJ42,FJ40	OD=35.7		90562-31001-	1	19	80								
8210-8410	BJ42,FJ40	OD=42.0		90562-32001-	1	19	80								
8008-8210	FJ40	OD=35.7		90562-31001-	1	1	18								
8008-8210	FJ40	OD=42.0		90562-32001-	1	1	18								
	44107D	RING, HOLE SNAP (FOR POWER STEERING GEAR HOUSING)													
8210-8410	BJ42,FJ40			90562-46125-	1	19	80								
8008-8210	FJ40				1	1	18								

FIG. 45-05

## GENUINE TOYOTA PARTS

2-H6

## GENUINE TOYOTA PARTS

PROD. DATE	MODELS	DESCRIPTION	P	PART NUMBER	QTY	REV. REF. CODE		PROD. DATE	MODELS	DESCRIPTION	P	PART NUMBER	QTY	REV. REF. CODE		
						FROM	UP TO							FROM	UP TO	
FIG.	45-05 STEERING LINK															
	45044	END SUB-ASSY. STEERING RELAY ROD, RH							45420C	NUT (FOR STEERING CENTER ARM)						
8008-8410	BJ42,FJ40			45045-69015-	1	1	80	8008-8310	BJ42,FJ40			94110-51000-	2	1	56	
	45044A	NUT, CASTLE (FOR RELAY ROD)						8310-8410	BJ42,FJ40			90170-10021-	2	57	80	
8002-8410	BJ42,FJ40			90171-12028-	2	1	80		45420D	WASHER, SPRING (FOR STEERING CENTER ARM)						
	45044B	RING, SET (FOR RELAY ROD)						8008-8310	BJ42,FJ40			94512-01000-	4	1	56	
8008-8410	BJ42,FJ40			90522-32011-	2	1	80	8310-8410	BJ42,FJ40			94621-11000-	4	57	80	
	45044C	SEAL, DUST (FOR RELAY ROD)							45420K	ARM KIT, STEERING CENTER						
8006-8410	BJ42,FJ40			45479-30030-	2	1	80	8008-8103	BJ42,FJ40			04453-60020- (04453-60021-	1	1		
	45045	END SUB-ASSY. STEERING RELAY ROD, LH						8103-8410	BJ42,FJ40			04453-60021-	1		80	
8008-8410	BJ42,FJ40			45046-69025-	1	1	80		45421	ARM, STEERING CENTER			45421-60021-	1	1	80
	45046	END SUB-ASSY. TIE ROD, RH							45421A	SPRING, COMPRESSION (FOR STEERING CENTER ARM)						
8008-8410	BJ42,FJ40			45046-69055-	1	1	80	8008-8410	BJ42,FJ40			90501-45123-	1	1	80	
	45046A	NUT, CASTLE (FOR TIE ROD END)							45421B	SEAL, DUST (FOR STEERING CENTER ARM)						
8008-8410	BJ42,FJ40			90171-12028-	2	1	80	8008-8103	BJ42,FJ40			90303-24033-	1	1		
	45046B	RING, SET FOR TIE ROD END DUST SEAL							45422	SHAFT, CENTER ARM			45422-60020-	1	1	80
8008-8410	BJ42,FJ40			90522-32011-	2	1	80	8008-8410	BJ42,FJ40							
	45046C	SEAL, DUST (FOR TIE ROD END)							45422C	BUSH (FOR CENTER ARM SHAFT)			90334-26102-	1		80
8006-8410	BJ42,FJ40			45479-30130-	2	1	80	8008-8410	BJ42,FJ40							
	45047	END SUB-ASSY. TIE ROD, LH							45424	BRACKET, CENTER ARM			45424-60040-	1	1	80
8008-8410	BJ42,FJ40			45046-69035-	1	1	80	8008-8410	BJ42,FJ40							
	45420B	BOLT (FOR STEERING CENTER ARM)							45427	SEAL, CENTER ARM DUST, LOWER			45427-60020-	1	1	
8008-8310	BJ42,FJ40	X10-1.25PX 26.5-15		90101-10264-	4	1	56	8008-8103	BJ42,FJ40							
8310-8410	BJ42,FJ40	X10-1.25PX 27.5-17.5		90101-10069-	2	57	80	8103-8410	BJ42,FJ40			90310-24001-	1		80	
8310-8410	BJ42,FJ40	X10-1.25PX 35-19		90101-10089-	2	57	80		45429	NUT, CENTER ARM SHAFT			45429-60020-	1	1	80

\* O—O P X C—O =  
Outside Diameter—Pitch x Bolt length—Thread length

FIG. 47-06

## GENUINE TOYOTA PARTS

2-H7

## GENUINE TOYOTA PARTS

PROD. DATE	MODELS	DESCRIPTION	P	PART NUMBER	QTY	REV. REF. CODE		PROD. DATE	MODELS	DESCRIPTION	P	PART NUMBER	QTY	REV. REF. CODE	
						FROM	UP TO							FROM	UP TO
8008-8409	47460 CONTINUED BJ42,FJ40	ADJUSTER ASSY, SHOE, RH (FOR REAR BRAKE)	P	47061-60010- (47061-60011- )	1	1		8008-8410	47601E	RING, E (FOR REAR BRAKE)	P	96160-00500-	2	1	80
8409-8410	47470 BJ42	ADJUSTER ASSY, SHOE, LH (FOR REAR BRAKE)	P	47062-60011-	1	80		8008-8410	47602	LEVER SUB-ASSY, PARKING BRAKE SHOE, LH (FOR REAR BRAKE)	P	47612-60010-	1	1	80
8008-8409	BJ42,FJ40		P	47062-60010- (47062-60011- )	1	1		8008-8410	47603A	PIN, W/HOLE (FOR REAR BRAKE)	P	90249-08068-	2	1	80
8008-8410	47496 BJ42,FJ40	PLUG, HOLE (FOR REAR BRAKE)	P	47491-20011-	2	1	80	8008-8410	47616	WIRE, PARKING BRAKE, RH	P	47616-60010-	1	1	80
8008-8410	47547P BJ42,FJ40	PLUG, BLEEDER (FOR DRUM BRAKE, REAR)	P	47547-60020-	2	1	90	8008-8410	47619	WIRE, PARKING BRAKE, LH	P	47616-60010-	1	1	80
8008-8410	47548R BJ42,FJ40	CAP, BLEEDER PLUG (FOR DRUM BRAKE, REAR)	P	31478-30010-	2	1	80	8008-8410	47623	CRANK, PARKING BRAKE BELL, NO.1	P	47624-60010-	1	1	80
8008-8410	47550 BJ42,FJ40	CYLINDER ASSY, REAR WHEEL BRAKE (FOR RH, FRONT OR UPPER)	P	47550-69105-	1	1	80	8008-8410	47623B	SPRING, TENSION (FOR PARKING BRAKE BELL RETURN)	P	90506-20035-	4	1	80
8008-8410	47550C BJ42,FJ40	SPRING, COMPRESSION (FOR REAR WHEEL BRAKE CYLINDER)	P	47509-60010-	2	1	80	8008-8410	47624	CRANK, PARKING BRAKE BELL, NO.2	P	47625-60010-	1	1	80
8008-8410	47550K BJ42,FJ40	CYLINDER KIT, REAR WHEEL	P	04474-60010-	2	1	80	8008-8410	47626P	PULLEY, PARKING BRAKE SEGMENTAL	P	47626-60010-	2	1	80
8008-8410	47550L BJ42,FJ40	CUP KIT, REAR WHEEL CYLINDER	P	04476-60050-	2	1	80	8008-8410	47628	BRACKET, BELLCRANK	P	47628-35010- (47628-35020- )	2	1	80
8008-8410	47570 BJ42,FJ40	CYLINDER ASSY, REAR WHEEL BRAKE (FOR LH, FRONT OR UPPER)	P	47550-69105-	1	1	80	8008-8410	47633	BOOT, PARKING BRAKE BELLCRANK	P	47633-35010- (47633-35020- )	2	1	80
8008-8410	47601 BJ42,FJ40	LEVER SUB-ASSY, PARKING BRAKE SHOE, RH (FOR REAR BRAKE)	P	47611-60010-	1	1	80	8008-8410	47653	LINING, REAR BRAKE SHOE (FOR FRONT OR UPPER)	P	47655-60010-	2	1	80
8008-8410	47601C BJ42,FJ40	WASHER, C (FOR REAR BRAKE)	P	90213-06013-	2	1	80	8008-8410	BJ42,FJ40		P				
8008-8410	BJ42,FJ40	T=1.2		90213-07010-	2	1	80								
8008-8410	BJ42,FJ40	T=1.1		90213-07010-	2	1	80								

FIG. 48-04

## GENUINE TOYOTA PARTS

2-H8




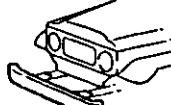

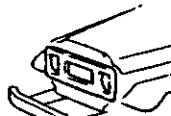


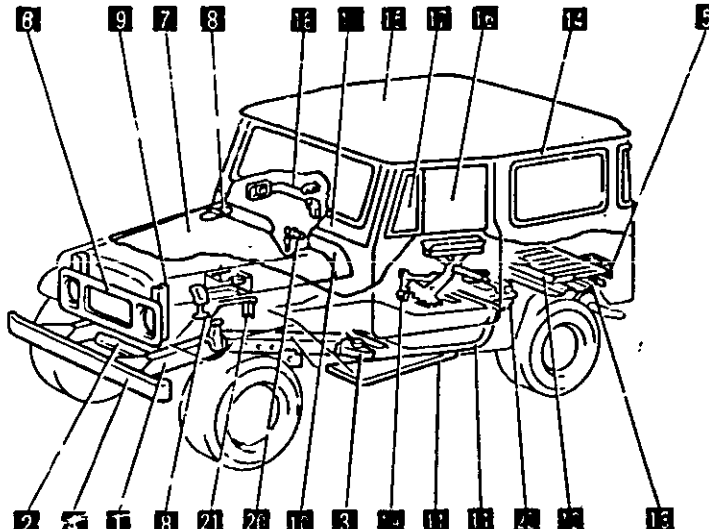





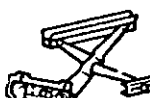



## GENUINE TOYOTA PARTS

PROD. DATE	MODELS	DESCRIPTION	P / P	PART NUMBER	QTY	REV. REF. CODE		PROD. DATE	MODELS	DESCRIPTION	P / P	PART NUMBER	QTY	REV. REF. CODE	
						FROM	UP TO							FROM	UP TO
8008-8410	48306	BUMPER SUB-ASSY, REAR SPRING		48306-60040-	2	1	80								
	BJ42, FJ40														
8008-8410	48344	STOPPER, BUMPER, REAR		48035-60010-	2	1	80								
	BJ42, FJ40														
8008-8410	48401	BRACKET SUB-ASSY, REAR SPRING FRONT, RH		48414-60021-	1	1	80								
	BJ42, FJ40														
8008-8410	48402	BRACKET SUB-ASSY, REAR SPRING FRONT, LH		48415-60021-	1	1	80								
	BJ42, FJ40														
8008-8410	48475R	PLATE, DISTANCE (FOR REAR)		48475-60020-	1	1	80								
	BJ42, FJ40														
8008-8410	48530	ABSORBER, SHOCK REAR, RH		48531-69047-	1	1	80								
	BJ42, FJ40														
8008-8410	48530A	BUSH (FOR REAR SHOCK ABSORBER)		90385-16007-	8	1	80								
	BJ42, FJ40														
8008-8410	43530B	WASHER, REAR SHOCK ABSORBER CUSHION, NO-1		90948-03003-	2	1	80								
	BJ42, FJ40														
8008-8410	48530C	WASHER, REAR SHOCK ABSORBER CUSHION, NO-2		90948-03004-	2	1	80								
	BJ42, FJ40														
8008-8410	48530D	WASHER, REAR SHOCK ABSORBER CUSHION, NO-3		90948-03003-	2	1	80								
	BJ42, FJ40														
8008-8410	48530E	WASHER, REAR SHOCK ABSORBER CUSHION, NO-4		90948-03004-	2	1	80								
	BJ42, FJ40														
8008-8410	48532	PIN, REAR SHOCK ABSORBER PIVOT		48532-60010-	2	1	80								
	BJ42, FJ40														
8008-8410	48540	ABSORBER, SHOCK REAR, LH		48531-69047-	1	1	80								
	BJ42, FJ40														



# H16

## ILLUSTRATED INDEX

3-A1 (51-51) 11  Frame	3-C1 (51-52) 22  Crossmember & Under Cover	3-F1 (52-51) 33  Cab & Body Mounting	3-K1 (52-52) 44  Front Bumper & Stay	3-I1 (52-53) 55  Rear Bumper & Stay	3-J1 (53-51) 66  Radiator: Grille	3-K1 (53-53) 77  Hood & Front Fender
3-A6 (77-51) 22  Fuel Tank & Tube	<b>BODY GROUP (1/2)</b> 					3-M1 (53-54) 22  Hood Lock & Hinge
3-H5 (74-54) 21  Battery Carrier						3-A2 (53-55) 99  Front Fender Apron
3-L4 (67-65) 20  Lock Cylinder Set						3-Q2 (55-53) 44  Cowl Panel & Glass
3-E4 (67-54) 19  Front Door Regulator & Hinge						3-I2 (58-51) 13  Front Floor Panel & Member
3-C4 (67-53) 16  Front Door Lock & Handle						3-A4 (67-52) 17  Ventilator Window

M8 0628

M8 04-048

FIG. 33-01

## GENUINE TOYOTA PARTS

2-11

## GENUINE TOYOTA PARTS

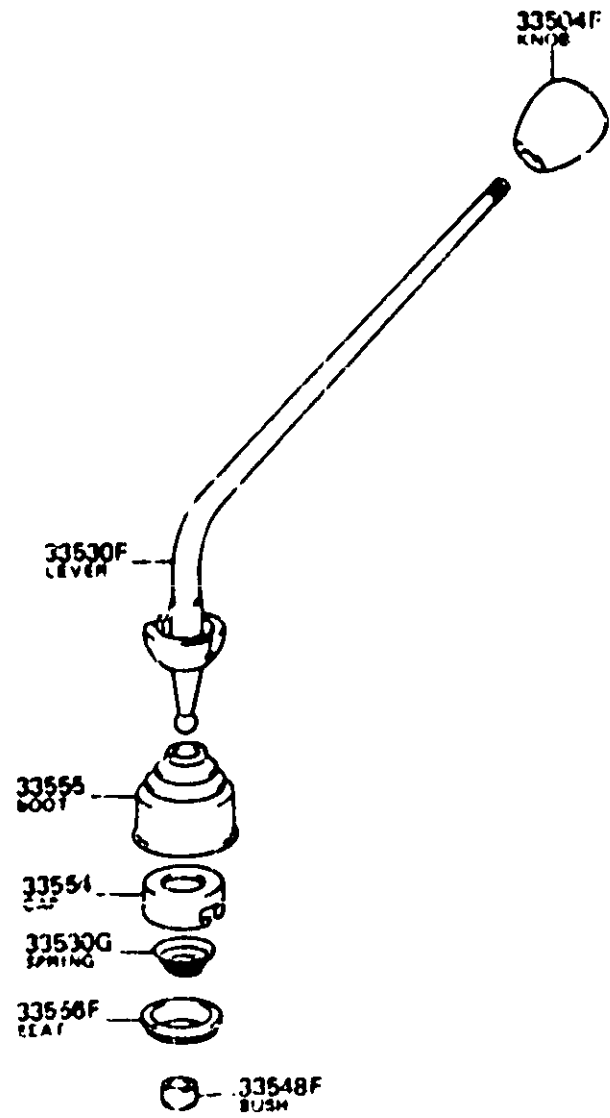
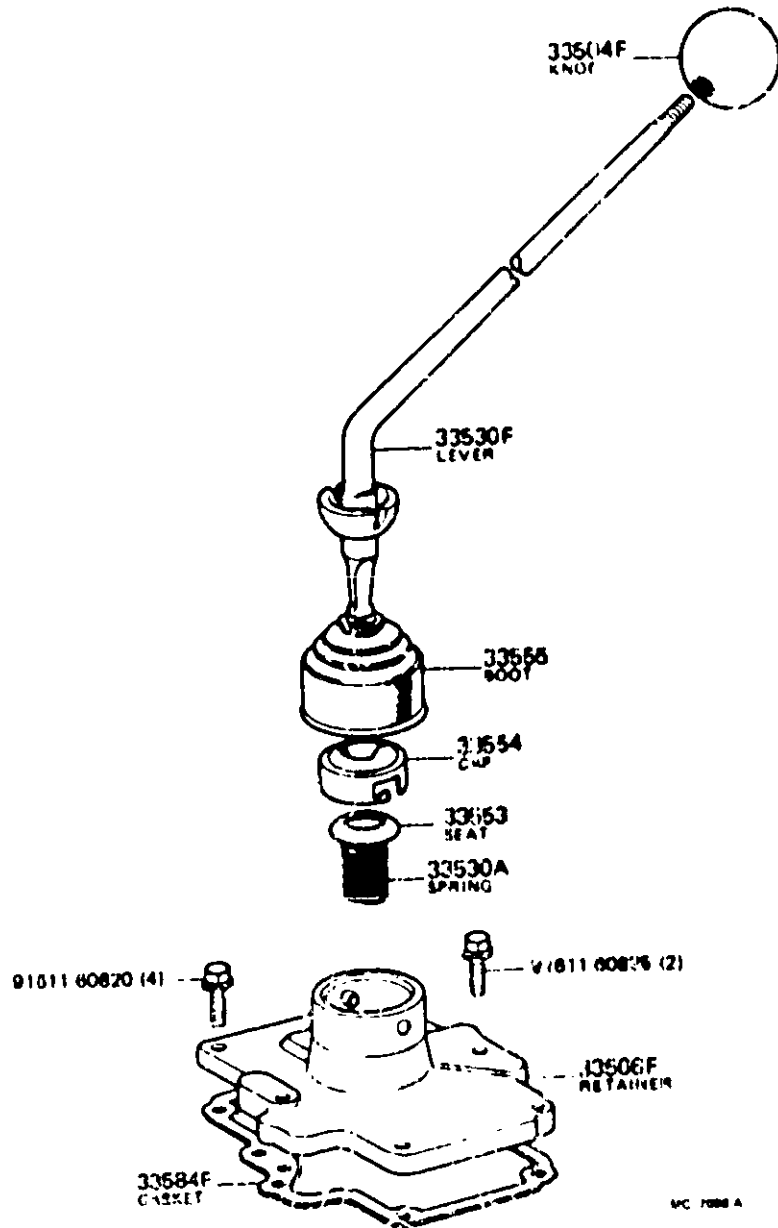
PROD. DATE	MODELS	DESCRIPTION	PART NUMBER	QTY	REV. REF. CODE		PROD. DATE	MODELS	DESCRIPTION	PART NUMBER	QTY	REV. REF. CODE	
					FROM	UP TO						FROM	UP TO
FIG.	33-01 TRANS-AXLE DR.	TRANSMISSION ASSY & GASKET KIT (MTM)											
	33110	TRANSMISSION ARBY. MANUAL											
8008-8201	BJ42		33020-60903-	1	1								
8201-8210	BJ42		33030-60330-	1		18							
8210-8410	BJ42		33030-60380-	1	19	80							
8004-8208	FJ40		33030-60231-	1	1	28							
8204-8309	FJ40		33030-60232-	1	29								
	33110K	GASKET KIT, MANUAL TRANSMISSION OVERHAUL											
8210-8413	BJ42		04331-60060-	1	19	80							
8008-8210	BJ42, FJ40		04331-60040-	1	1	18							
8210-8309	FJ40		04331-60041-	1	19								

FIG. 33-12 SHIFT LEVER & RETAINER

2-12

(8008-R309)4F

(0210- 15F



MC 9341 A

MC 7088 A

MC7098A

MC9841 49-11 498



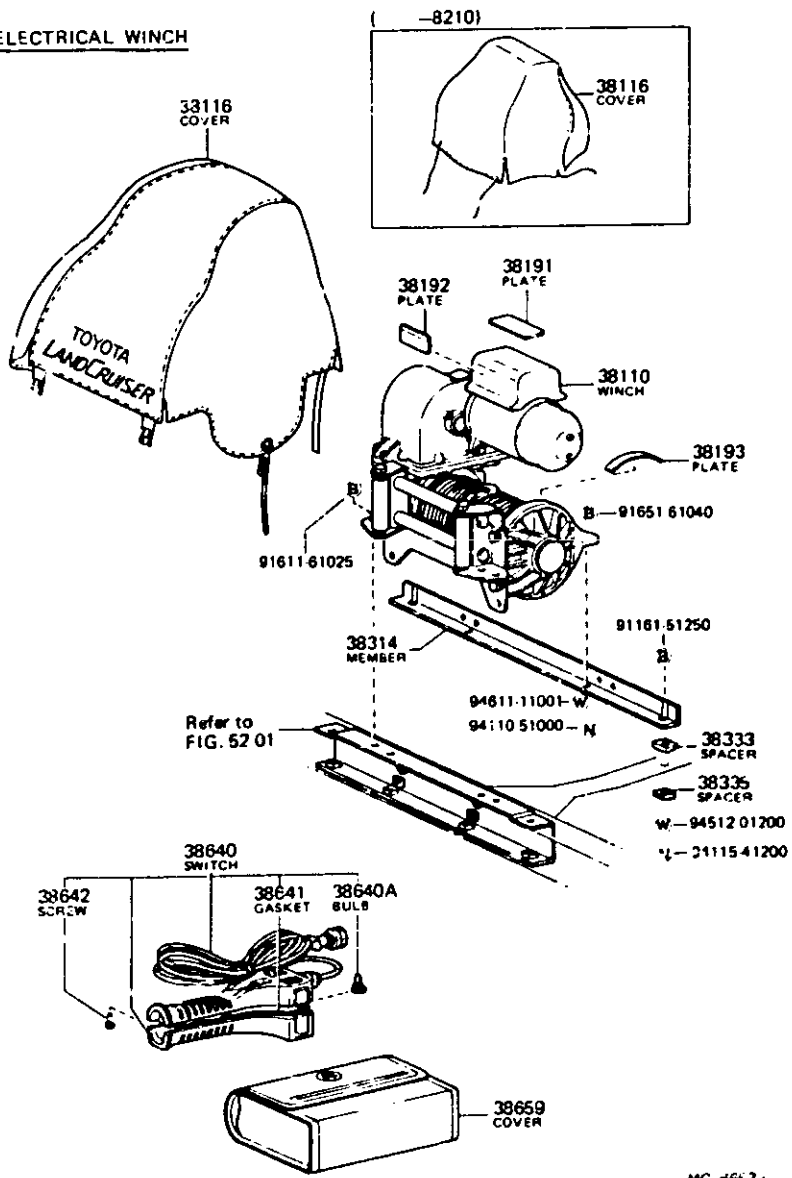
(8008- )

(8008- )

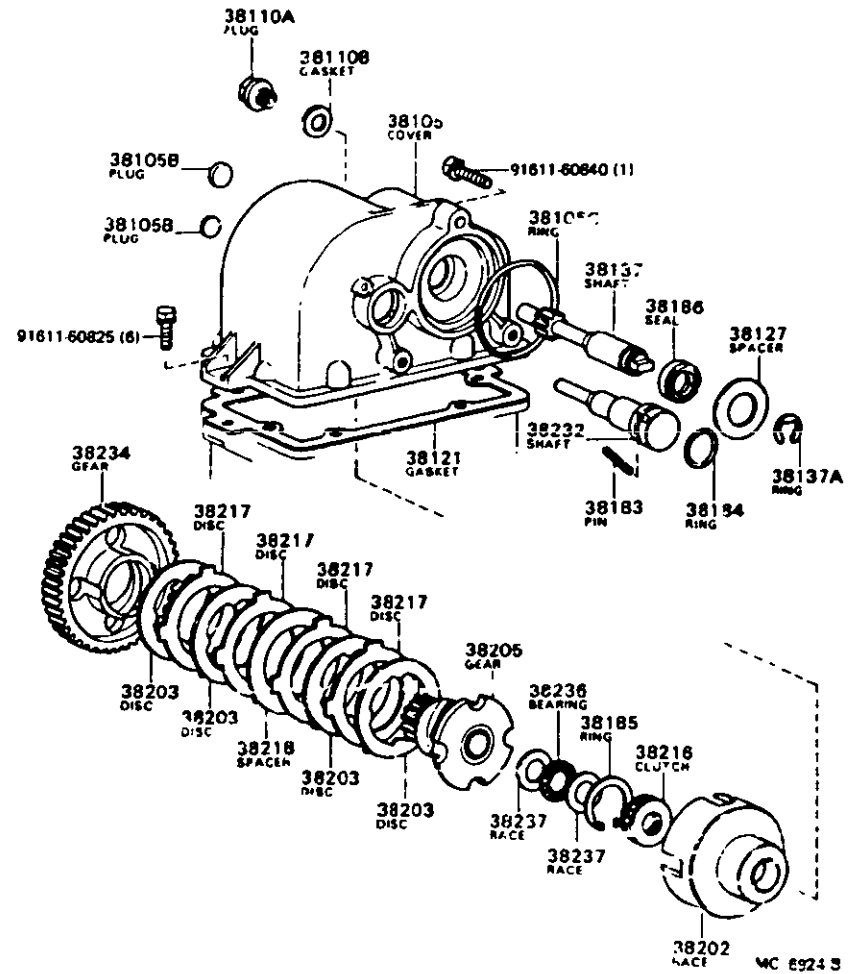
ILLUST.NO. 10F4

ILLUST.NO. 20F4

ELECTRICAL WINCH



ELECTRICAL WINCH



MC 6663-C

MC 6663C

MC 6924B 06-11-712

FIG. 41-02

## GENUINE TOYOTA PARTS

2-14

## GENUINE TOYOTA PARTS

PROD. DATE	MODELS	DESCRIPTION	PART NUMBER	QTY	REV. REF. CODE		PROD. DATE	MODELS	DESCRIPTION	PART NUMBER	QTY	REV. REF. CODE			
					FROM	UP TO						FROM	UP TO		
FIG.	41-02 REAR AXLE SHAFT														
	42311	SHAFT, REAR AXLE													
8008-8110	BJ42,FJ40	RH, FULL FL OATING AXLE	42311-60052-	1	1	6	8008-8410	42403A CONT:NUED BJ42,FJ40	PIECE, BALANCE (FOR REAR BRAKE DRUM)	90937-01118-	33	1	80		
8008-C110	BJ42,FJ40	LH, FULL FL OATING AXLE	42312-60042-	1	1	6	8008-8410	BJ42,FJ40	20G	90937-01119-	33	1	80		
8008-8410	BJ42,FJ40	RH, SEMI FL OATING AXLE	42311-60060-	1	1	80	8008-8410	BJ42,FJ40	30G	90937-01120-	33	1	80		
8008-8410	BJ42,FJ40	LH, SEMI FL OATING AXLE	42312-60070-	1	1	80	8008-8410	BJ42,FJ40	40G	90937-01121-	33	1	80		
	42311A	SEAL, OIL (FOR REAR AXLE SHAFT)					8008-8410	BJ42,FJ40	50G	90937-01122-	33	1	80		
8008-8110	BJ42,FJ40		90313-93001-	2	1	6		42403B	BOLT, SET (FOR REAR BRAKE DRUM SETTING)	90113-10003-	2	1	80		
	42311C	BEARING, (FOR REAR AXLE SHAFT)						42411	HUB, REAR AXLE	42411-60011-	2	1	6		
8008-8410	BJ42,FJ40		50365-47013-	2	1	80	8008-8110	BJ42,FJ40		42411A	PIN, STRAIGHT (FOR REAR AXLE HUB)	90250-07057-	4	1	6
	42311E	SEAL, OIL (FOR REAR AXLE SHAFT OUTER)					8008-8110	BJ42,FJ40		42411B	BOLT, STUD (FOR REAR AXLE HUB)	90116-08325-	12	1	6
8008-8110	BJ42,FJ40	FULL FLOAT ING AXLE	90310-35001-	2	1	6	8008-8110	BJ42,FJ40		42411C	BEARING, TAPERED ROLLER (FOR REAR AXLE INNER EARING)	90368-49084-	2	1	6
8008-8410	BJ42,FJ40	SEMI FLOAT ING AXLE	90311-47001-	2	1	80	8008-8110	BJ42,FJ40		42411D	BEARING, TAPERED ROLLER (FOR REAR AXLE OUTER EARING)	90368-45087-	2	1	6
	42321	GASKET, REAR AXLE SHAFT					8008-8110	BJ42,FJ40		42411E	SEAL, OIL (FOR REAR AXLE HUB)	90311-62001-	2	1	6
8008-8110	BJ42,FJ40		43427-60010-	2	1	6	8008-8110	BJ42,FJ40		42419	SCREW, BEARING LOCK NUT	42419-60011-	4	1	6
	42323	WASHER, CONE (FOR REAR AXLE SHAFT)					8008-8110	BJ42,FJ40		42420	HUB (OR SHAFT) & BRAKE DRUM REAR AXLE, RH	42420-60070-	1	1	6
8008-8110	BJ42,FJ40		42323-60010-	12	1	6	8008-8104	BJ42,FJ40		42427	NUT, REAR AXLE BEARING LOCK	42427-60020- 142427-60021-	2	1	
	42325	LOCK, REAR AXLE SHAFT					8104-8110	BJ42,FJ40			42427-60021-	2	1	6	
8008-8410	BJ42,FJ40		42325-55010-	2	1	80									
	42403	DRUM SUB-ASSY, REAR BRAKE													
8008-8410	BJ42,FJ40		42431-60020-	2	1	80									
	42403A	PIECE, BALANCE (FOR REAR BRAKE DRUM)													
8008-8410	BJ42,FJ40	10G	90937-01117-	33	1	80									

FIG. 45-01

## GENUINE TOYOTA PARTS

2-15

## GENUINE TOYOTA PARTS

PROO. DATE	MODELS	DESCRIPTION	P /	PART NUMBER	QTY	REV. REF. CODE		PROO. DATE	MODELS	DESCRIPTION	P /	PART NUMBER	QTY	REV. REF. CODE	
						FROM	UP TO							FROM	UP TO
8210-8410	44107E BJ42, FJ40	SEAL, OIL (FOR POWER STEERING GEAR HOUSING)		90312-32001-	1	19	80	8210-8410	44114B BJ42, FJ40	RING, C (FOR POWER PISTON NUT)		90361-63001-	1	19	80
8008-8210	FJ40				1	1	18	8008-8210	FJ40				1	1	18
8210-8410	44108 BJ42, FJ40	COVER SUB-ASSY, SIDE		44108-60010-	1	19	80	8210-8410	44114C BJ42, FJ40	BALL (FOR POWER PISTON NUT)		90360-06021-	44	19	80
8008-8210	FJ40				1	1	18	8008-8210	FJ40				44	1	18
8210-8410	44108A BJ42, FJ40	RING, D (FOR SIDE COVER)		90301-64002-	1	19	80	8210-8410	44115 BJ42, FJ40	GUIDE, BALL		44115-60020-	2	19	80
8008-8210	FJ40				1	1	18	8008-8210	FJ40				2	1	18
8210-8410	44110 BJ42, FJ40	GEAR ASSY, POWER STEERING		44110-60022-	1	19	80	8210-8410	44116 BJ42, FJ40	CLAMP, BALL GUIDE		44116-60020-	1	19	80
8008-8108	FJ40			44110-60021-	1	1	14	8008-8210	FJ40				1	1	18
8106-8210	FJ40			44110-60022-	1	15	18	8210-8410	44141 BJ42, FJ40	PLUG, ADJUSTER		44104-22011-	1	19	80
8210-8410	44110K BJ42, FJ40	GASKET KIT, POWER STEERING GEAR		04445-35040-	1	19	80	8008-8210	FJ40				1	1	18
8008-8210	FJ40				1	1	18	8210-8410	44141A BJ42, FJ40	RING, D (FOR ADJUSTER PLUG)		90301-51001-	1	19	80
8210-8410	44111 BJ42, FJ40	SHAFT, CROSS		44111-60010-	1	19	80	8008-8210	FJ40				1	1	18
8008-8210	FJ40				1	1	18	8210-8410	44141B BJ42, FJ40	SEAL, OIL (FOR ADJUSTER PLUG)		90311-19002-	1	19	80
8210-8410	44111A BJ42, FJ40	NUT, HEXAGON (FOR CROSSHAFT TO PITHAN ARM SETTING)		90170-22058-	1	19	80	8008-8210	FJ40				1	1	18
8008-8210	FJ40				1	1	18	8210-8410	44141C BJ42, FJ40	BEARING (FOR ADJUSTER PLUG)		90369-22001-	1	19	80
8210-8410	44111K BJ42, FJ40	GASKET KIT, POWER STEERING CROSS SHAFT OVERHAUL		04455-35010-	1	19	80	8008-8210	FJ40				1	1	18
8008-8210	FJ40				1	1	18	8210-8410	44142 BJ42, FJ40	NUT, LOCK		44112-22010-	1	19	80
8210-8410	44114A BJ42, FJ40	RING (FOR POWER PISTON NUT)		90562-67001-	1	19	80	8008-8210	FJ40				1	1	18
8008-8210	FJ40				1	1	18								

PROD. DATE	MODELS	DESCRIPTION	PART NUMBER	QTY	REV. REF. CODE		PROD. DATE	MODELS	DESCRIPTION	PART NUMBER	QTY	REV. REF. CODE	
					FROM	UP TO						FROM	UP TO
	4530	END ASSY, STEERING DRAG LINK (FOR PITMAN ARM)						45460A	ROD ASSY, TIE				
8008-8410	BJ47, FJ40		45430-60020-	1	1	80	8008-8410	BJ42, FJ40		45460-69035-	1	1	80
8210-8410	BJ42, FJ40	W/POWER STEERING	45430-60040-	1	19	80		45461	ROD, STEERING TIE				
8008-8210	FJ40	W/POWER STEERING		1	1	18	8008-8410	BJ42, FJ40		45461-60021-	1	1	80
	4543	END SUB-ASSY, STEERING DRAG (FOR CENTER ARM)						45466	CLAMP, TIE ROD END				
8008-8410	FJ42, FJ40		45047-69025-	1	1	81	8008-8410	BJ42, FJ40		45466-55010-	2	1	80
	45438	PLATE, CENTER ARM NUT LOCK						45473	SEAT, BALL STUD				
8008-8410	BJ42, FJ40		45438-60010-	1	1	80	8008-8410	BJ42, FJ40		45473-35010-	2	1	80
	45440A	CLAMP, STEERING DRAG						45475	SEAT, STEERING LINK JOINT SPRING				
8008-8410	BJ42, FJ40		45466-30010-	2	1	80	8008-8410	BJ42, FJ40		45475-35010-	1	1	80
	45440B	NUT, CASTLE (FOR STEERING DRAG LINK)						45475A	SPRING COMPRESSION (FOR STEERING LINK JOINT)				
8008-8410	BJ42, FJ40		90171-12028-	1	1	80	8008-8410	BJ42, FJ40		90501-45114-	1	1	80
	45440D	RING, SET (FOR STEERING DRAG LINK)						45475B	PLUG, STRAIGHT SCREW (FOR STEERING LINK JOINT)				
8008-8410	BJ42, FJ40		90522-32011-	1	1	80	8008-8410	BJ42, FJ40		90340-25001-	1	1	80
	45441	LINK, STEERING DRAG						45479	SEAL, STEERING LINK JOINT DUST				
8008-8410	BJ42, FJ40		45441-60010-	1	1	80	8008-8410	BJ42, FJ40		45479-30030-	1	1	80
	45442	END, STEERING DRAG LINK						45611	ARM, STEERING KNUCKLE, RH				
8008-8410	BJ42, FJ40		45442-60011-	1	1	80	8008-8410	BJ42, FJ40		45611-60022-	1	1	80
	45447	SEAL, DRAG LINK DUST						45612	ARM, STEERING KNUCKLE, LH				
8008-8410	BJ42, FJ40		45447-60010-	1	1	80	8008-8410	BJ42, FJ40		45612-60022-	1	1	80
	45450	ROD ASSY, STEERING RELAY						45700	DAMPER ASSY, STEERING				
8008-8410	BJ42, FJ40		45450-60021-	1	1	80	8008-8410	BJ42, FJ40		45700-59015-	1	1	80
	45450D	CLAMP, STEERING RELAY ROD END						45700A	NUT (FOR STEERING DAMPER)				
8008-8410	BJ42, FJ40		45466-30010-	2	1	80	8008-8410	BJ42, FJ40		90171-12028-	2	1	80
	45451	ROD, STEERING RELAY						45721	BRACKET, STEERING DAMPER SUPPORT				
8008-8410	BJ42, FJ40		45451-60040-	1	1	80	8008-8410	BJ42, FJ40		45721-60010-	1	1	80

FIG. 47-06

GENUINE TOYOTA PARTS

2-17

GENUINE TOYOTA PARTS

PROD. DATE	MODELS	DESCRIPTION	P	PART NUMBER	QTY	REV. REF. CODE	
						FROM	UP TO
8008-8410	47654	LINING, REAR BRAKE SHOE (FOR REAR OR LOWER)	P	47655-60010-	2	1	80
	BJ42,FJ40						
8008-8410	47663	LEVER, AUTOMATIC ADJUST. RH (FOR REAR BRAKE)	P	47643-60010-	1	1	80
	BJ42,FJ40						
8008-8410	47664	LEVER, AUTOMATIC ADJUST. LH (FOR REAR BRAKE)	P	47644-60010-	1	1	80
	BJ42,FJ40						

PROD. DATE	MODELS	DESCRIPTION	P	PART NUMBER	QTY	REV. REF. CODE	
						FROM	UP TO

PART NUMBER	LOCATION	PART NUMBER	LOCATION	PART NUMBER	LOCATION	PART NUMBER	LOCATION	PART NUMBER	LOCATION	PART NUMBER	LOCATION
87104-90A04-	3-K9	87290-60042-	3-G8	88541-10020-	3-L9	90099-10107-	1-H6	90116-10075-	2-A5	90210-10001-	2-J5
87105-22020-	3-K9	87294-60031-	3-A1J	88550-60030-	3-L9	-10111-	1-C6	-12001-	1-H1	-12001-	1-H1
-87002-	3-K9	-60040-	3-K9	88570-55020-	3-L9	-10113-	1-H6	-10075-	2-D4	-13001-	1-H1
87107-60043-	3-K9	87296-60033-	3-A10	88605-60270-	3-H9	-10116-	1-C6	-10098-	1-E4	90213-06001-	2-F2
-60160-	3-K9	87810-90300-	3-G9	-60280-	3-F10	-10117-	3-J10	-10103-	2-A5	-06013-	2-H7
87110-60070-	3-K9	-90501-	3-G9	-60290-	3-E10	-10119-	-H6	-10104-	2-D4	-07010-	2-H7
-60080-	3-K9	87828-12010-	3-G9	-60300-	3-H9	-10120-	1-C6	-10107-	2-A5	90214-42030-	2-D5
87123-10050-	3-K9	-90800-	3-G9	88610-60050-	3-L9	-10125-	1-C6	-10107-	2-D4	90215-09003-	2-F2
87130-60141-	3-K9	87834-14011-03	3-G9	88625-60020-	3-H9	-10126-	1-C6	-10299-	1-E4	-42025-	2-E5
-60150-	3-K9	87901-90303-	3-G9	88630-60020-	3-H9	-10130-	2-A4	-12007-	2-A8	90240-04158-	2-E7
-60170-	3-K9	87902-90301-	3-G9	88635-30370-	3-H9	-10133-	3-J10	-12321-	1-E4	-08007-	3-H1
87138-60170-	3-K9	87905-90301-	3-G9	88645-22020-	3-F10	-10137-	1-C6	90117-06131-	1-B8	-08042-	2-J6
-60190-	3-K9	87911-90300-	3-G9	88680-60020-	3-H9	-12010-	1-H7	90118-14107-	2-G8	90241-05002-	3-F2
87145-60031-	3-K9	88011-60010-	3-E10	-60150-	3-F9	-13001-	1-L7	-14108-	2-E8	-10017-	1-H2
87150-60.37-	3-K9	88300-60081-	3-L9	-60160-	3-H9	-13002-	1-I7	-14158-	2-G1	90245-16001-	3-D1
-60038-	3-K9	-60082-	3-L9	88690-60010-	3-E10	-13011-	3-I10	-14160-	2-E8	-20001-	3-D1
87200-60251-	3-I9	88301-20050-	3-J10	88711-60060-	3-F10	-14011-	1-A8	-14191-	2-E8	90249-08058-	2-H7
-60271-	3-I9	88304-14010-	3-I10	-60090-	3-F10	-14020-	1-L5	-14192-	2-B8	-10017-	2-L6
-60272-	3-I9	88305-20070-	3-J10	88712-60080-	3-F10	-14023-	2-A4	90119-10123-	3-F1	-10048-	2-D1
87211-60031-	3-A10	88306-20040-	3-J10	88715-60150-	3-G10	-14028-	2-A4	-10207-	3-G1	90250-05034-	2-H2
-60110-	3-F2	88307-20050-	3-J10	-60240-	3-G10	-15017-	1-J6	-10208-	1-E2	-05202-	2-C2
-60120-	3-F2	-21060-	3-J10	-60260-	3-G10	-17112-	1-G6	90149-60001-	1-L2	-06005-	2-C2
-60131-	3-A10	88312-30250-	3-J10	88717-60070-	3-G10	-19251-	1-C6	90170-10014-	1-L2	-07057-	2-D5
-60140-	3-A10	LJ313-20070-	3-J10	88721-60020-	3-F10	-32103-	3-A9	-10021-	2-H6	2-14	2-14
-60160-	3-A10	88316-20070-	3-I10	88896-60030-	3-F10	-33332-	3-A9	-10074-	1-L2	-08120-	1-K1
87231-60032-	3-A10	88317-20030-	3-J10	-60040-	3-F10	-37005-	1-H5	-10198-	1-H2	1-H1	1-H1
-60034-	3-A10	88320-60040-	3-I10	88960-60011-	3-A10	-52065-	1-G6	-11002-	3-I6	-10006-	2-H2
-60102-	3-A10	-60041-	3-I10	89422-30020-	3-H8	90101-06041-	1-A5	-10059-	3-J6	-10059-	3-J5
-60103-	3-A10	88321-20061-	3-J10	89423-60020-	3-H8	-08173-	2-D1	-12010-	1-H2	-10192-	1-H2
-60110-	3-A10	88322-20040-	3-J10	89425-69045-	3-H8	-10069-	2-H6	-12015-	3-A4	-10192-	1-H2
-60112-	3-A10	88343-20040-	3-J10	89550-80130-	3-H8	-10089-	2-H6	-12166-	3-A4	-10214-	2-F2
-60120-	3-A10	88360-30270-	3-J10	89570-60050-	1-F5	-10264-	2-H6	-22058-	2-I5	-10214-	2-K1
-60121-	3-A10	88366-20050-	3-I10	-60060-	1-F5	-10439-	2-F7	-12015-	2-L5	-10215-	2-F2
87240-60010-	3-C10	-60070-	3-J10	-60070-	1-F5	-12021-	2-G7	90171-12028-	2-H6	-12146-	2-K1
-60031-	3-C10	88371-60030-	3-J10	89620-60051-	3-H8	-12029-	2-H3	2-I6	2-I6	-12216-	2-K1
-60040-	3-K9	-60070-	3-J10	-60070-	3-H8	-12060-	2-E7	90175-06003-	1-K4	90253-15005-	1-K1
87245-60040-	3-C10	88372-30280-	3-J10	90041-70001-	1-L2	-13001-	1-J1	-08008-	1-K4	-16014-	1-J1
-60041-	3-C10	88374-12020-	3-J10	90043-45027-	1-J1	90105-11010-	2-G3	90176-05014-	1-H1	-17003-	1-K1
-60070-	3-C10	88375-30260-	3-J10	90044-01010-	1-C3	-11013-	2-G3	90179-06158-	3-J8	-17007-	1-J1
-60080-	3-C10	88403-14030-	3-J10	-1-I2	1-I2	-11014-	2-G3	-10010-	1-H4	-18002-	1-J1
-90A26-	3-C10	-26030-	3-J10	-30026-	1-C3	-13002-	1-H2	-12044-	1-H2	90254-75004-	2-D3
87247-20051-	3-C10	88410-14090-	3-J10	-60053-	1-H3	-16003-	1-H2	-12086-	2-F6	-05016-	2-D3
87248-60102-	3-C10	-22060-	3-J10	90096-90001-	1-C8	90106-12022-	2-A8	-14004-	3-I6	2-F2	2-F2
-60192-	3-C10	88411-14050-	3-I10	90099-02205-	1-G6	90109-06008-	2-H6	-20001-	2-B5	2-H2	2-H2
-60203-	3-C10	-22040-	3-I10	-02209-	1-C6	-10039-	3-F1	2-E4	2-E4	90280-03009-	1-B3
-60251-	3-C10	88412-12040-	3-I10	-02323-	1-G6	-16001-	1-J1	-22004-	1-H2	-03015-	2-D2
-60252-	3-C10	-14010-	3-I10	-04579-	3-F10	90112-10004-	3-H1	-22005-	2-L2	-05008-	2-A6
-60260-	3-C10	88437-60100-	3-J10	-04905-	3-I10	-10016-	3-I11	-26002-	2-B2	-05010-	1-I2
-60280-	3-C10	-60170-	3-J10	-04926-	3-I10	90113-08001-	2-F2	2-D2	2-D2	1-K2	1-K2
-60291-	3-C10	88440-20060-	3-K10	-04945-	1-L7	-10003-	2-I4	90189-04024-	1-J5	90281-07004-	1-H2
-60300-	3-C10	88444-60020-	3-J10	-07047-	1-H6	90114-1112-	2-L2	90201-06177-	1-L2	90301-11053-	2-L3
-60311-	3-C10	88460-60050-	3-F10	-07048-	1-C6	90116-06038-	1-K4	-08106-	1-H7	-14001-	2-H6
-60390-	3-C10	88470-20070-	3-F10	-37091-	3-J10	-06306-	1-J1	-10045-	2-F2	-18018-	2-L1
-60400-	3-C10	88472-60030-	3-F10	-07103-	1-C5	-08042-	1-E4	-10092-	2-F2	-20001-	1-G3
-90A04-	3-C10	88501-30531-	3-L9	-07104-	1-L5	-08123-	1-L2	-10227-	1-K2	-21176-	1-G3
87249-60104-	3-C10	88510-60680-	3-L9	-07108-	1-C6	-08325-	2-D5	-20005-	2-B5	-23054-	2-J5
-60121-	3-C10	88515-12051-	3-L9	-07109-	1-L5	-07114-	3-J10	-20005-	2-E4	-25135-	2-B6
-60122-	3-C10	88536-60120-	3-L9	-07114-	3-J10	-08058-	3-J10	-22005-	2-L2	-27003-	2-B3
87251-30190-	3-C10	-60160-	3-L9	-08058-	3-J10	-10048-	1-E4	-26003-	2-B2	-32002-	2-H5
-30200-	3-C10	-60161-	3-L9	-08082-	1-J6	-10055-	1-H1	-30003-	2-H5	-33001-	1-H4
-60041-	3-D10	-60170-	3-L9	-10018-	1-C8	-10056-	1-E4	-35002-	2-B3	-35001-	1-H4
87286-60101-	3-A10	88539-30250-	3-L9	-10039-	1-G6	-10074-	2-A5	90209-12002-	3-J8	-35001-	2-H5
-60151-	3-A10	-30520-	3-L9	-10040-	1-G6	-10074-	2-D4	90210-08003-	1-K4	-44001-	2-H5
-60152-	3-A10	88541-10010-	3-L9	-10087-	1-I7						

ILLUSTRATED INDEX


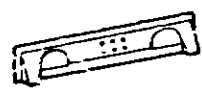







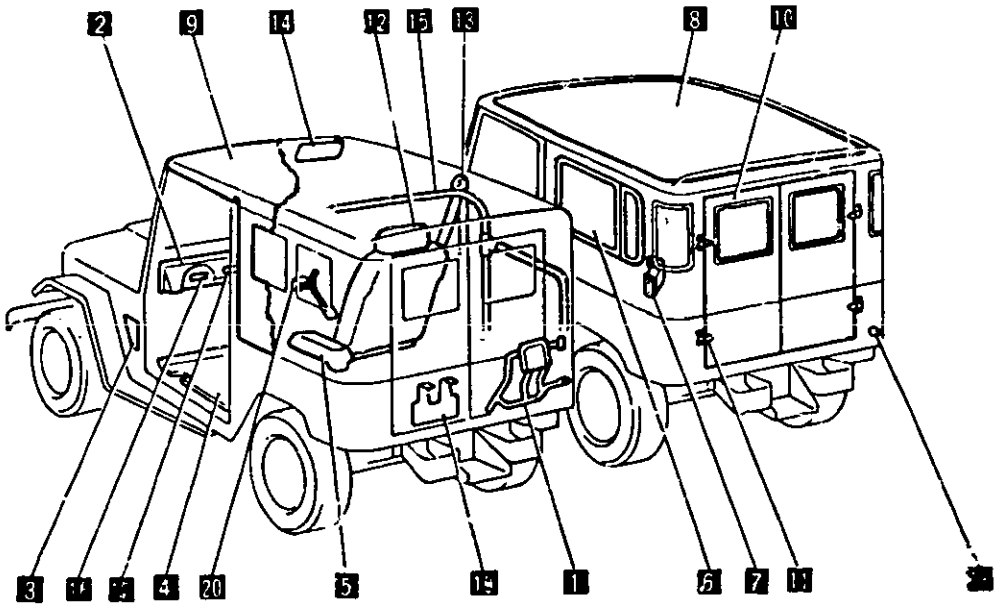
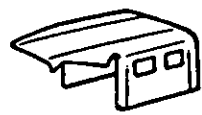



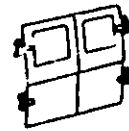


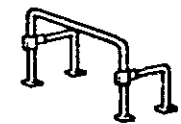
<p>3-D1 (51-53) 1</p>  <p>Spare Wheel Carrier</p>	<p>3-C2 (55-51) 2</p>  <p>Instrument Panel</p>	<p>3-F2 (55-52) 3</p>  <p>Front Ventilator</p>	<p>3-M2 (58-54) 4</p>  <p>Floor Mat &amp; Pad</p>	<p>3-N3 (58-55) 5</p>  <p>Console Box</p>	<p>3-E3 (61-52) 6</p>  <p>Side Window</p>	<p>3-H3 (61-55) 7</p>  <p>Rear &amp; Roof Ventilator</p>	
<p><b>BODY GROUP (2/2)</b></p>							<p>3-I3 (64-52) 8</p>  <p>Roof Headlining &amp; Pad</p>
<p>3-H6 (78-51) 21</p>  <p>Accelerator Link</p>						<p>3-J3 (65-55) 9</p>  <p>Top Curtain &amp; Roof Panel</p>	
<p>3-M5 (75-54) 22</p>  <p>Tool Box &amp; License Bracket</p>						<p>3-Q4 (67-61) 10</p>  <p>Back Door Panel &amp; Glass</p>	
<p>3-K5 (75-51) 23</p>  <p>Emblem &amp; Name Plate</p>						<p>3-I4 (67-62) 11</p>  <p>Back Door Lock &amp; Hinge</p>	
<p>3-J5 (74-56) 17</p>  <p>Ash Receptacle</p>						<p>3-I5 (74-55) 12</p>  <p>Caution Plate</p>	<p>3-G5 (74-53) 13</p>  <p>Handrail &amp; Pipe</p>



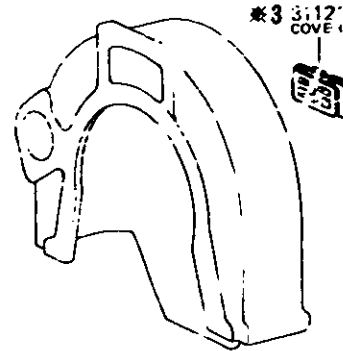
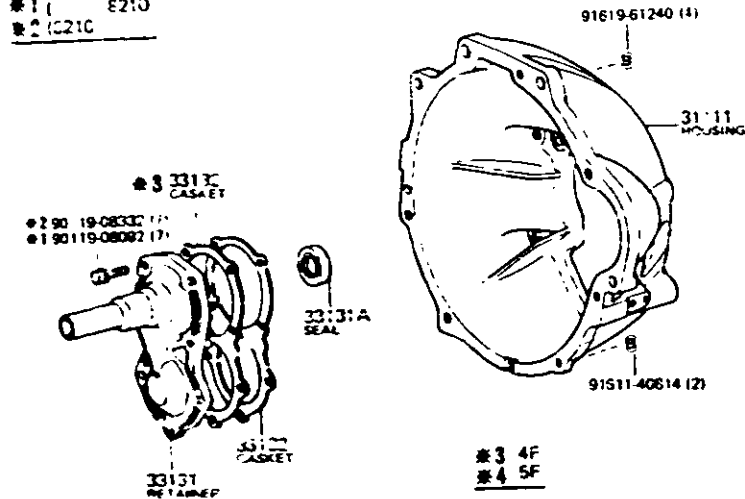
FIG. 33-02 CLUTCH HOUSING & TRANSMISSION  
CASE (MTM)

2-J1

(8008- )BJ42

(8008-8309)FJ40

\*1 E210  
\*2 (221C)



\*1 ( -8210)  
\*2 (8210- )  
\*3 ( -8307)

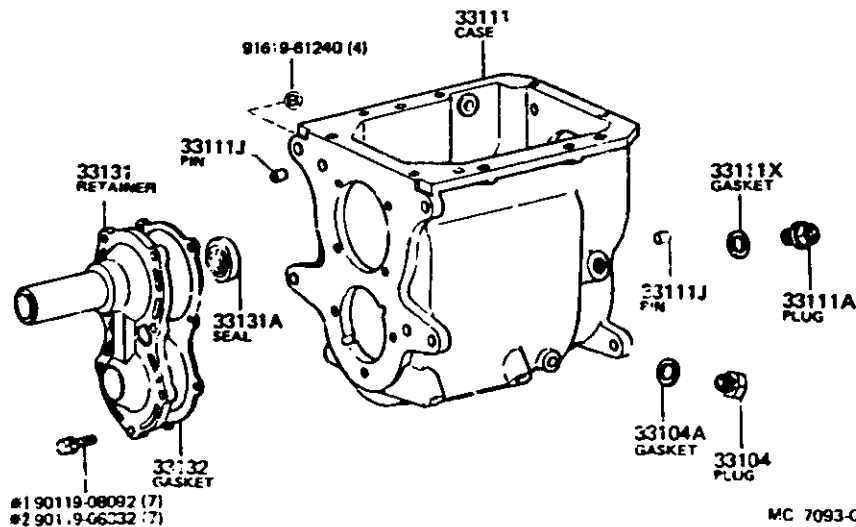
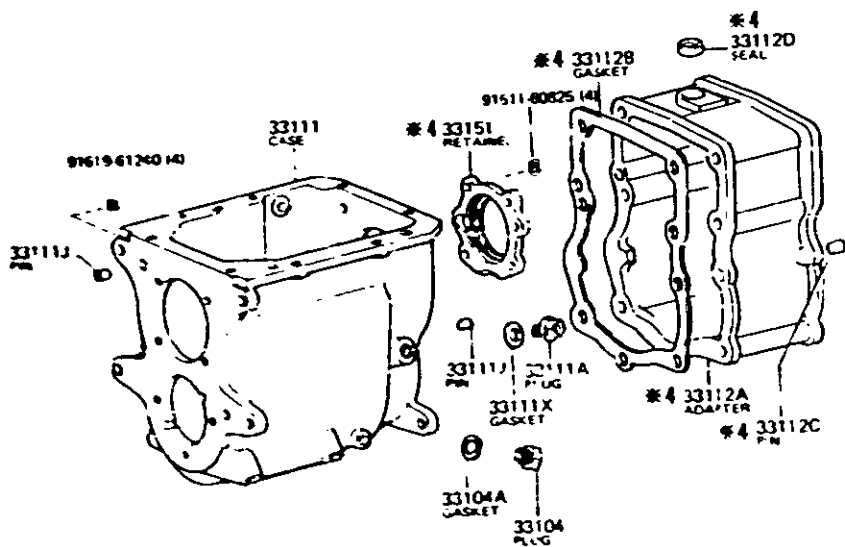




FIG. 33-12

## GENUINE TOYOTA PARTS

2-J2

## GENUINE TOYOTA PARTS

PROD. DATE	MODELS	DESCRIPTION	R P	PART NUMBER	QTY	REV. REF. CODE		PROD. DATE	MODELS	DESCRIPTION	R P	PART NUMBER	QTY	REV. REF. CODE	
						FROM	UP TO							FROM	UP TO
FIG.	33-12	SHIFT LEVER & RETAINER													
		← 33504F → KNOB SUB-ASSY, SHIFT LEVER (FOR FLOOR SHIFT)													
8210-8410	BJ42			33504-22111- (33504-22111-01)	1	19	80								
8008-8309	BJ42, FJ40..4F			33504-60030-	1	1									
		← 33506F → RETAINER SUB-ASSY, CONTROL SHIFT LEVER													
8008-8309	BJ42, FJ40..4F			33506-60010-	1	1									
		← 33530A → SPRING, COMPRESSION (FOR SHIFT LEVER)													
8008-8309	BJ42, FJ40..4F			90501-32791-	1	1									
		← 33530F → LEVER ASSY, SHIFT (FOR FLOOR SHIFT)													
8210-8410	BJ42			33541-60160-	1	19	80								
8008-8309	BJ42, FJ40..4F			33541-60081-	1	1									
		← 33530G → SPRING, CONICAL (FOR SHIFT LEVER)													
8210-8410	BJ42			90502-29001-	1	19	80								
		← 33548F → SUBH. SHIFT LEVER (FOR FLOOR SHIFT)													
8210-8410	BJ42			33548-60020-	1	19	80								
		← 33553 → SEAT, SHIFT LEVER SPRING													
8008-8309	BJ42, FJ40..4F			33553-60010-	1	1									
		← 33554 → CAP, SHIFT LEVER													
8210-8410	BJ42			33554-60021-	1	19	80								
8008-8309	BJ42, FJ40..4F			33554-60010-	1	1									
		← 33555 → BOOT, SHIFT LEVER													
8008-8/10	BJ42, FJ40			33555-55011-	1	1	80								
		← 33556F → SEAT, TRANSMISSION SHIFT LEVER BALL													
8210-8410	BJ42			33505-60010-	1	19	80								
		← 33584F → GASKET, CONTROL SHIFT LEVER RETAINER (FOR FLOOR SHIFT)													
8008-8309	BJ42, FJ40..4F			33272-36011-	1	1									

FIG. 38-02 WINCH

2-J3

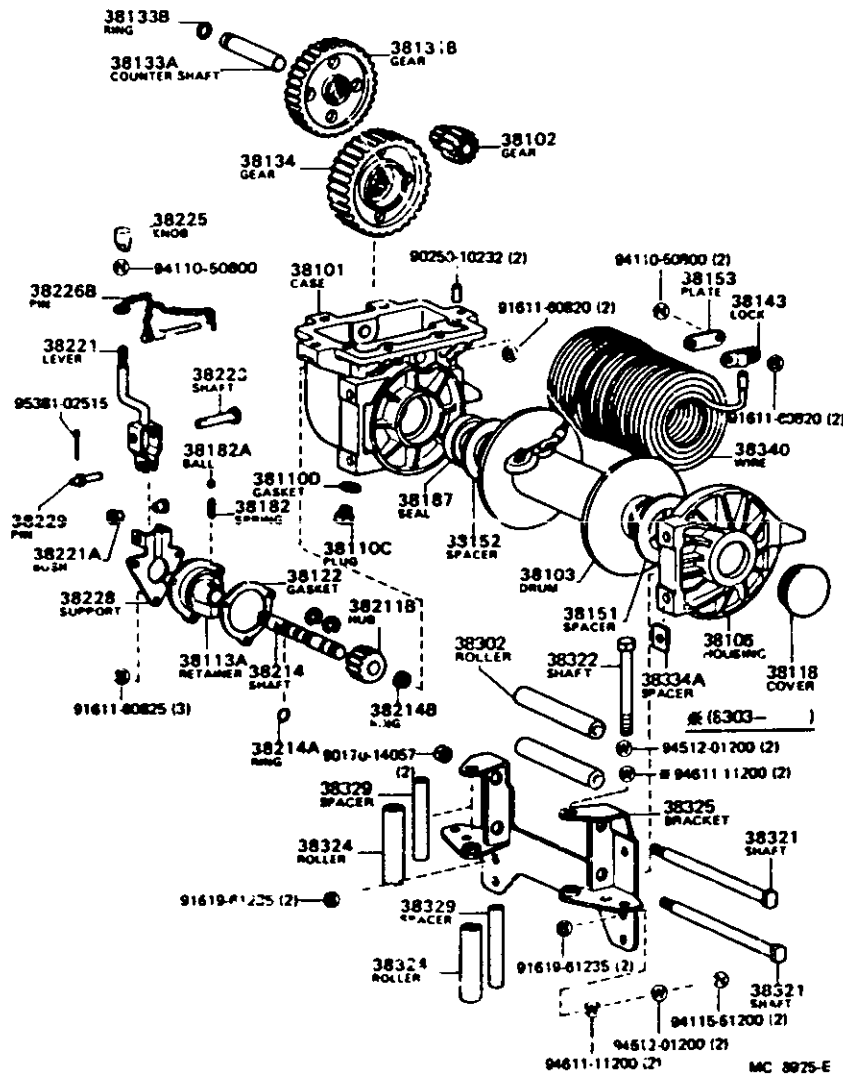
( 8008- )

( 8008- )

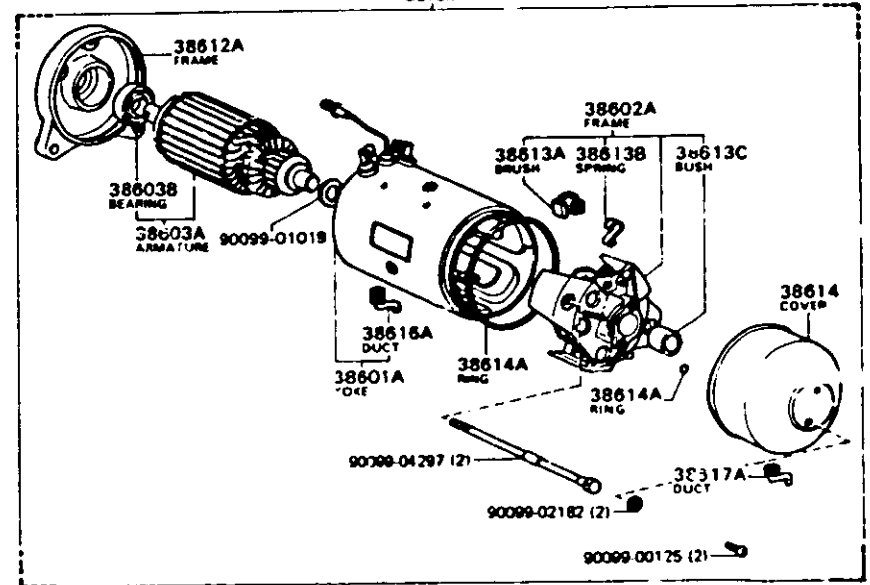
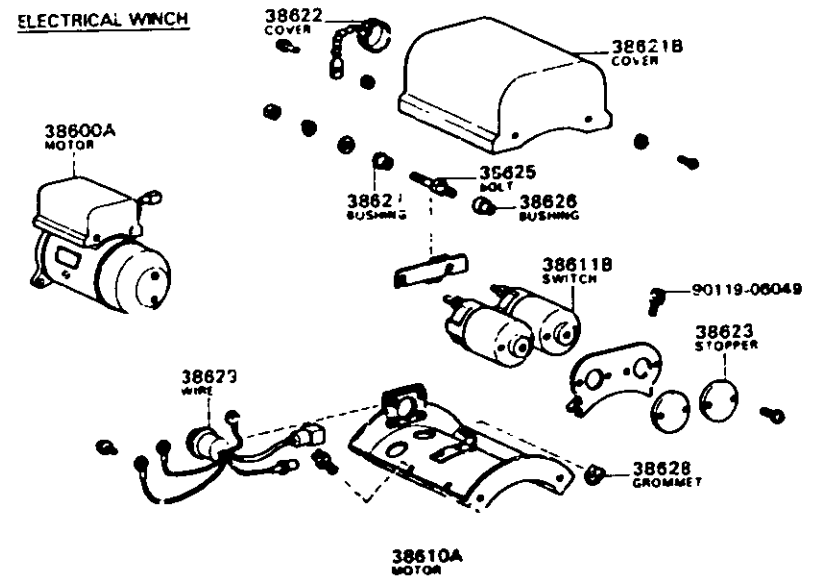
ILLUST. NO. 30F4

ILLUST. NO. 40F4

ELECTRICAL WINCH



ELECTRICAL WINCH



MC6925E

MC6983B 04-11-82

FIG. 41-02

GENUINE TOYOTA PARTS

2-J4

GENUINE TOYOTA PARTS

PROD. DATE	MODELS	DESCRIPTION	P / P	PART NUMBER	QTY	REV. REF. CODE		PROD. DATE	MODELS	DESCRIPTION	P / P	PART NUMBER	QTY	REV. REF. CODE	
						FROM	UP TO							FROM	UP TO
8008-8110	BJ42, FJ40	PLATE, LOCK NUT		42428-60011-	2	1	6								
8008-8110	BJ42, FJ40	HUB (OR SHAF.) & BRAKE DRUM REAR AXLE, LH		42420-60070-	1	1	6								
8008-8410	BJ42, FJ40	DEFLECTOR, BRAKE DRUM OIL		42441-30010-	2	1	83								
8008-8413	BJ42, FJ40	GASKET, BRAKE DRUM OIL DEFLECTOR		42443-55020-	2	1	80								
8008-8410	BJ42, FJ40	BOLT, HUB (FOR REAR AXLE)		90942-02034- (90942-02052- )	12	1	80								

FIG. 45-01

## GENUINE TOYOTA PARTS

2-J5

## GENUINE TOYOTA PARTS

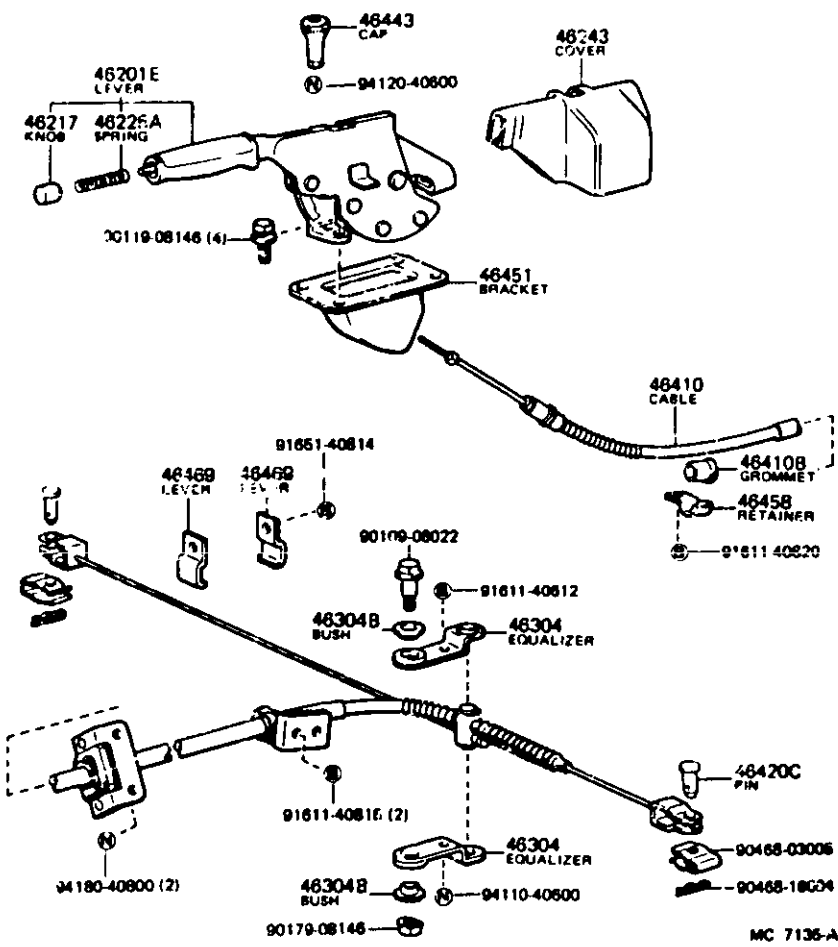
PROD. DATE	MODELS	DESCRIPTION	PART NUMBER	QTY	REV. REF. CODE		PROD. DATE	MODELS	DESCRIPTION	PART NUMBER	QTY	REV. REF. CODE	
					FROM	UP TO						FROM	UP TO
	44142A	NUT, LOCK, NO. 1						45202	SHAFT SUB-ASSY, STEERING INTERMEDIATE				
8210-8410	BJ42, FJ40		44142-22020-	1	19	80	8008-8210	CONTINUED FJ40	W/POWER ST EERING	45220-60070-	1	1	18
8008-8210	F. 40			1	1	18		45205	TUBE SUB-ASSY, STEERING COLUMN				
	44210	VALVE ASSY, POWER STEERING CONTROL						BJ42, FJ40		45870-60040-	1	1	80
8210-8410	BJ42, FJ40		44120-60031-	1	19	80	8008-8410	BJ42, FJ40					
8008-81J8	FJ40		44120-60021-	1	1	14		45214	RETAINER, MAIN SHAFT SPRING				
8108-8203	FJ40		44120-60022- (44120-60031-)	1	15		8008-8410	BJ42, FJ40		45214-30030-	2	1	80
8203-8210	FJ40		44120-60031-	1		18		45221A	PIN (FOR STEERING INTERMEDIATE SHAF )				
	44257	SCREW, CROSSHAFT ADJUSTING					8008-8410	BJ42, FJ40		90250-10059-	1	1	80
8210-8410	BJ42, FJ40		45357-60010-	1	19	80		45222	COVER, DUST				
8008-8210	FJ40			1	1	18	8008-8410	BJ42, FJ40		45222-30030-	1	1	80
	44257A	WASHER, SEAL (FOR CROSSHAFT ADJUSTING SCREW)						45222C	RING, HOLE SNAP (FOR DUST COVER)				
8210-8410	BJ42, FJ40		90210-10001-	1	19	80	8008-8410	BJ42, FJ40		90521-52003-	1	1	80
8008-8210	FJ40			1	1	18		45222D	RING, O (FOR DUST COVER)				
	45201	SHAFT SUB-ASSY, STEERING MAIN					8008-8410	BJ42, FJ40		90301-23054-	1	1	80
8008-8410	BJ42, FJ40		45210-60059-	1	1	80		45224	BLOCK, BEARING (FOR STEERING FLEXIBLE COUPLING)				
	45201A	BEARING, RADIAL BALL (FOR STEERING MAIN SHAFT)					8008-8410	BJ42, FJ40	L=15.97-16 .00	45224-30040-	2	1	80
8008-8410	BJ42, FJ40		90363-18038-	1	1	80	8008-8410	BJ42, FJ40	L=16.00-16 .03	45225-30040-	1	1	80
	45201B	RING, SHAFT SNAP (FOR STEERING MAIN SHAFT)						45226	ANTI-RATTLE (FOR STEERING FLEXIBLE COUPLING)				
8008-8410	BJ42, FJ40	FLAT TYPE	90520-17042-	1	1	80	8008-8410	BJ42, FJ40		45226-30020-	2	1	80
8008-8410	BJ42, FJ40	CURVED TYPE	90520-17269-	1	1	80		45230	COUPLING ASSY, FLEXIBLE				
	45201G	SPRING, COMPRESSION (FOR STEERING MAIN SHAFT)					8008-8410	BJ42, FJ40		45230-36010-	1	1	80
8008-8410	BJ42, FJ40		90501-29388-	1	1	80		45240	WORM ASSY, STEERING				
	45202	SHAFT SUB-ASSY, STEERING INTERMEDIATE					8008-8410	BJ42, FJ40		45240-36041-	1	1	80
8008-8410	BJ42, FJ40		45220-60060-	1	1	80		45240A	BEARING (FOR STEERING WORM)				
8210-8410	BJ42, FJ40	W/POWER ST EERING	45220-60070-	1	19	80	8008-8410	BJ42, FJ40		90363-20003-	2	1	80

FIG.46-01 PARKING BRAKE & CABLE

2-J6

GENUINE TOYOTA PARTS

(8008- )

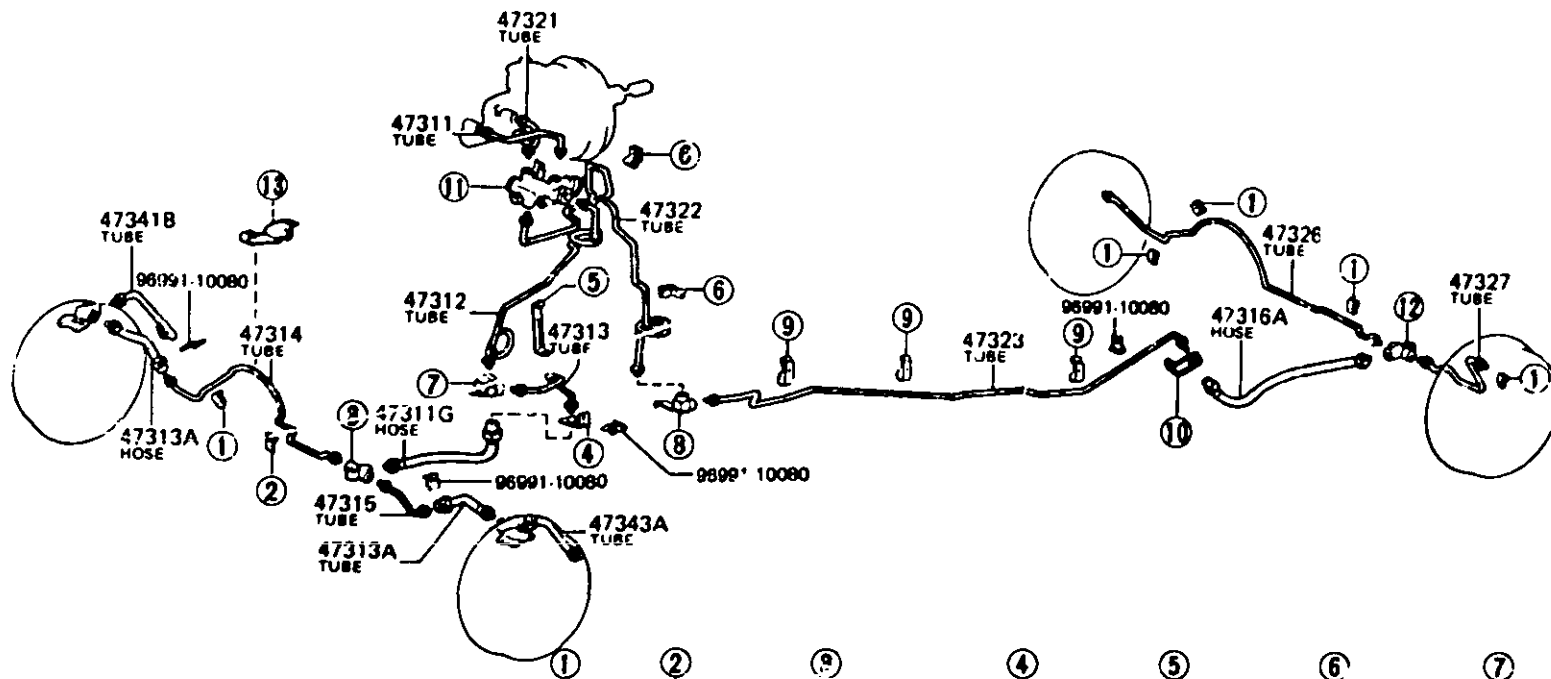


PROD. DATE	MODELS	DESCRIPTION	PART NUMBER	QTY	REV. REF. CODE	
					FROM	UP TO
FIG.	46-01	PARKING BRAKE & CABLE				
8008-8410	BJ42,FJ40	LEVER SUB-ASSY, PARKING BRAKE	46210-60021-	1	1	83
8008-8410	BJ42,FJ40	KNOB, PARKING BRAKE RELEASE ROD	46217-10020- (46217-10020-01)	1	1	80
8008-8410	BJ42,FJ40	SPRING, COMPRESSION (FOR PARKING BRAKE LEVER)	90501-10745-	1	1	80
8008-8410	BJ42,FJ40	COVER, PARKING BRAKE LEVER	46243-60010-	1	1	80
8008-8410	BJ42,FJ40	EQUALIZER SUB-ASSY, PARKING BRAKE	46341-31010-	2	1	80
8008-8410	BJ42,FJ40	BUSH (FOR PARKING BRAKE EQUALIZER)	90385-12029-	2	1	80
8008-8210	BJ42,FJ40	CABLE ASSY, PARKING BRAKE, FRONT	46410-60130-	1	1	18
8210-8410	BJ42,FJ40		46410-60131-	1	19	80
8008-8410	BJ42,FJ40	GROMMET (FOR PARKING BRAKE FRONT CABLE)	90480-17158-	1	1	80
8008-8410	BJ42,FJ40	PIN, W/HOLE (FOR PARKING BRAKE CABLE)	90240-08042-	2	1	80
8008-8410	BJ42,FJ40	CAP, WIRE ADJUSTING	46443-12020-	1	1	80
8008-8210	BJ42,FJ40	BRACKET, CABLE GUIDE SUPPORT	46451-60011-	1	1	18
8210-8410	BJ42,FJ40		46451-60012-	1	19	80

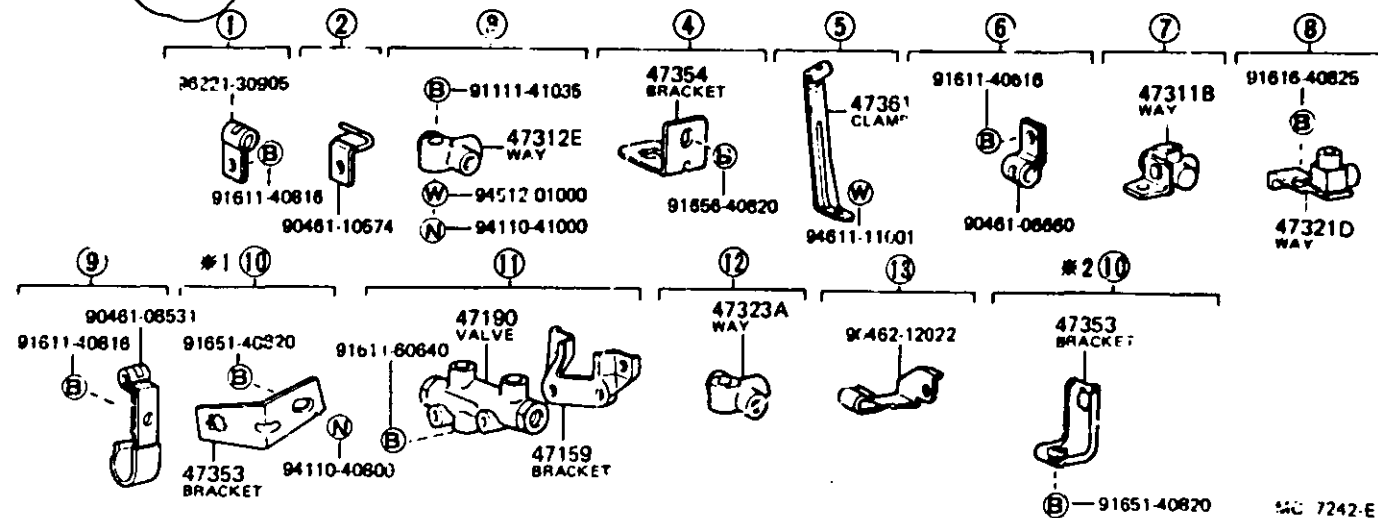
FIG. 47-08 BRAKE TUBE & CLAMP

2-J7

(8003- 1BJ42




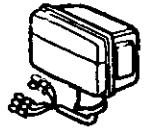


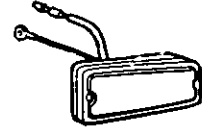

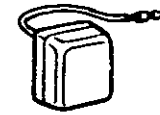
\*1 (-8210)  
\*2 (8210- )



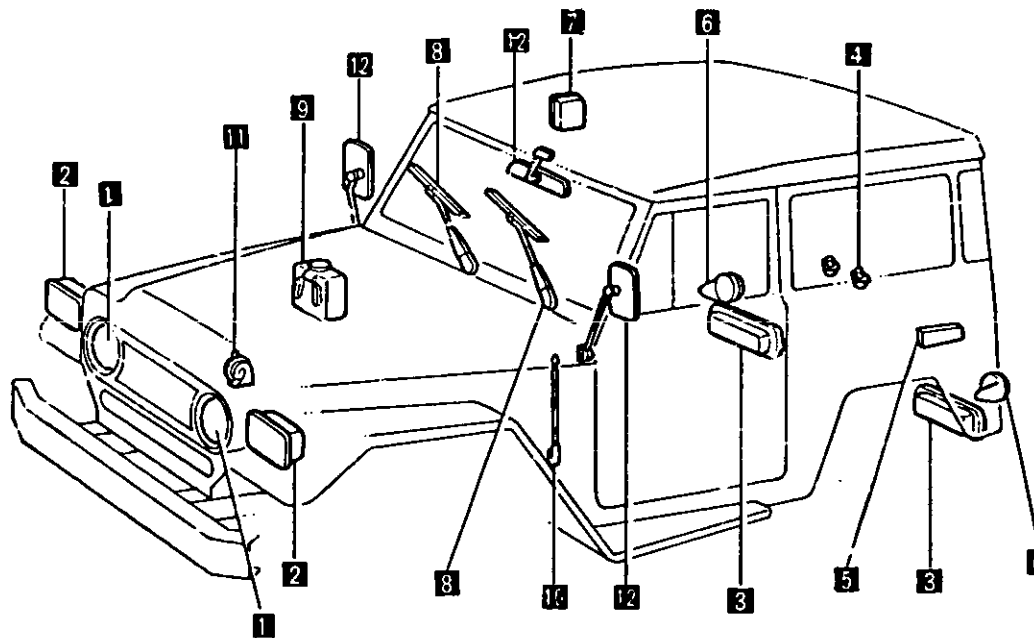
SAC 7242-E


J.6

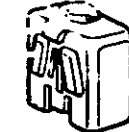
ILLUSTRATED INDEX


3-K6 (81-01) 1	3-L6 (81-03) 2	3-M6 (81-11) 3	3-R7 (81-13) 4	3-C7 (81-14) 5	3-D7 (81-15) 6	3-E7 (81-21) 7
						
Headlamp	Front Turn Signal Lamp	Rear Combination Lamp	Licence Plate Lamp	Rear Side Marker Lamp	Reflex Reflector	Interior Lamp


ELECTRICAL GROUP (1 / 2)

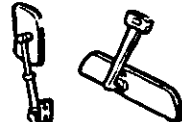


3-J8 (85-01) 8

Windshield Wiper

3-L8 (85-03) 9

Windshield Washer

3-E9 (86-04) 10

Antenna

3-F9 (86-11) 11

Horn

3-G9 (87-01) 12

Mirror

ME 9650-B

90301 - 90430

J14

90430 - 90562

PART NUMBER	LOCATION	PART NUMBER	LOCATION	PART NUMBER	LOCATION	PART NUMBER	LOCATION	PART NUMBER	LOCATION	PART NUMBER	LOCATION
90301-51001-	2-15	90341-18057-	2-F4	90369-38001-	1-13	90430-18244-	1-K1	90480-24517-	2-C7	90520-30216-	2-C2
-59044-	2-K3		2-K1	90374-30003-	2-H5	-20096-	3-E6	90501-05014-	3-A-	-30218-	2-C2
-60122-	2-K5		2-K3	90384-22109-	2-A6	-24047-	3-E6	-05141-	1-A4	-31001-	2-D5
-63001-	2-15		2-M7		2-M5	-25013-	1-K1	-06445-	2-B6	-33107-	2-C3
-64002-	2-15	-18089-	1-K1	-22110-	2-M5	-37140-	1-H1	-08022-	1-F4	-33110-	2-C3
-65145-	2-H5	-20003-	3-E6	-26102-	2-H6	-43002-	1-A4	-10067-	2-J2	-36115-	2-B2
-69170-	2-M5	-24036-	3-E6	90385-12029-	2-J6	-98001-	1-K4	-10745-	2-J6	-36016-	2-B2
-77001-	1-G7	-25054-	1-K1	-16007-	2-E8	90440-11043-	5-A2	-12447-	2-A4	-36250-	2-B2
90302-24033-	2-M6	90344-57002-	1-E4		2-H8	-17057-	3-F2	-13011-	2-H2	-36251-	2-B2
90310-09001-	2-L1	-57011-	1-E4	90386-03001-	1-L4	90445-04001-	3-H-	-14029-	1-D3	-36252-	2-B2
-21034-	2-M5	90345-52001-	1-K1	-10121-	2-M3	-07065-	3-A9	-14035-	1-G2	-36253-	2-B2
-24001-	2-M6	-53001-	1-11	-13007-	2-D1	-09003-	3-A9	-14069-	1-G2	-36254-	2-B2
-32024-	2-K5	-53020-	2-A8		2-L6	-11014-	1-B8	-14076-	2-G2	-36255-	2-B2
-35001-	2-14	-54004-	1-G1	-16004-	3-D1	-12023-	1-A4	-14772-	2-H2	90521-34002-	1-G2
90311-16002-	2-G2	-54005-	1-G1	-20002-	3-D1	-12063-	1-A4	-16163-	1-11	-36003-	1-G2
-18001-	2-K5	90360-06004-	2-B3	90387-10004-	2-D1	-12905-	1-G5	-16750-	2-F2	-46125-	2-H5
-19002-	2-15	-06004-	2-C2	-10004-	2-L6	-17008-	2-D7	-20012-	2-G7	-52002-	2-J5
-22005-	2-E3		2-G2	-10028-	1-C2	-17034-	2-D7	-23018-	1-K2	-75023-	2-C3
-28304-	2-K1		2-L3	-10055-	1-E4	-17043-	1-E2	-29388-	2-J5	90522-32011-	2-H6
-33685-	2-A5	-06021-	2-15	90389-18002-	2-D8	-17044-	2-D7	-32259-	3-A4		2-I6
-38134-	2-B5	-08009-	2-H2		2-Q8	-17800-	2-D7	-32791-	2-J2	-40043-	2-E7
	2-E4	-10003-	2-D3	90401-14060-	1-F8	-17855-	2-D7	-45114-	2-I6	-48044-	2-E7
-45069-	1-M1		2-H2	-14093-	1-C3	-17908-	2-D7	-45123-	2-H6	90523-15025-	2-G2
-47001-	2-14	90341-05001-	2-H2	-18002-	1-B3	-17927-	2-D7	-45342-	1-K2	90524-15008-	1-L2
-48032-	2-L2	-06049-	2-B2	-18083-	1-G3	-18086-	2-E6	-47003-	1-K2	90540-09059-	3-I6
	2-M2	-10037-	2-H2	-18084-	1-G3	-18104-	2-D6	90522-16004-	1-L2	-10022-	3-A2
-48003-	2-M2	90363-12002-	2-B1	90402-13041-	1-K6		2-E6	-29001-	2-J2	90541-03078-	3-F6
-48007-	2-L2	-15004-	2-B1	-16042-	1-B3	-18105-	2-D6	90506-12031-	2-G7	-06008-	2-D1
-50002-	1-M1	-18038-	2-J5	-26072-	1-H8	-22016-	3-E6	-12034-	3-I6		2-L6
-62001-	2-D5	-20003-	2-J5	-26074-	1-H8	90446-06013-	3-A9	-12042-	3-E1		3-F2
	2-14	-35013-	2-B3	-33079-	1-H8	-08006-	3-A9	-12450-	2-D1		3-I6
-95001-	1-A2		2-C3	90404-10013-	2-F4	90447-12001-	1-J8		2-L6	90560-06238-	3-I6
-99065-	1-M2	-35017-	2-B2	-14329-	1-C5	-12016-	1-J8	-12480-	3-E1	-09025-	3-K3
90312-17001-	2-K1	-40018-	2-B2	-16008-	1-B3	-18012-	2-E6	-16297-	2-B1	-12009-	3-F1
-32001-	2-15	-45001-	2-B1	-16160-	1-G1	90460-01001-	2-D6	-16475-	2-B1		3-G1
90313-13001-	2-D3	-45002-	2-B1	-51037-	2-D7		2-E6	-18031-	2-G7	-12017-	3-F1
-93001-	2-15	-52001-	2-B1	-51038-	2-D7	-01007-	1-L4	-20033-	2-H7	-12263-	1-A4
-93011-	2-B8	-52086-	2-B1		3-E10	-24039-	1-G3	-26011-	2-G7	-30784-	2-B5
90330-24013-	1-J1	90364-17010-	2-C3	-53035-	1-E4	-50016-	1-B4	-26014-	2-G7		2-E4
90331-12002-	2-F2	-32001-	2-H5	90405-09041-	2-D7	90461-10387-	2-G4	90508-16028-	3-F2	-30185-	2-B5
-16050-	2-F2	-32007-	2-D2	90407-10003-	2-H6	-10448-	1-B8	-16029-	3-F2		2-E4
	2-K3	-34006-	2-B3	90410-06030-	2-B6	90464-00253-	1-J5	-26125-	3-I6	-30186-	2-B5
	2-L2	-44065-	2-B2		2-H5	90467-04006-	3-L1	-26392-	3-I6		2-E4
-18001-	2-F2		2-C2	-11005-	1-B3	-06103-	3-G3	90510-08001-	1-F4	-30187-	2-B5
-20001-	2-K3	90365-32002-	2-C2	-18002-	1-H8		3-L1	-08002-	1-F4		2-E4
-21001-	1-G1	-32010-	2-D2	-25041-	1-H8	-06094-	3-L1	90520-01002-	3-E4	-30188-	2-B5
-40024-	1-G1	-40001-	2-D2	90412-09006-	2-D7	-07003-	3-G2	-07001-	2-G2		2-E4
-48010-	1-K2	-40002-	2-B2	-10015-	2-L7	-09008-	3-L1	-08098-	2-F2	-30190-	2-B5
-51032-	1-J1	-47013-	2-14	-10089-	2-L7	-11085-	1-A4	-14002-	2-G2	-30190-	2-E4
	1-K2	90366-17001-	2-B8	90413-10031-	2-L7	-16001-	2-A7	-17042-	2-J5	-30191-	2-B5
-56001-	1-K2	-30011-	2-B5	-10042-	2-L7	-16141-	2-D7	-17269-	2-J5		2-E4
90334-07004-	1-G1		2-F4	-10086-	2-L7	-18028-	1-E2	-27091-	2-C5	-30192-	2-B5
90340-25001-	2-16	-35011-	2-C3	90414-10009-	2-L7	-24038-	1-E2	-28036-	2-C5		2-E4
90341-10004-	2-H2	-40004-	2-B5	90430-06104-	2-M6	-28001-	1-B2	-29002-	2-G3	-30199-	2-B5
-12008-	2-H2		2-D4	-09253-	2-M6		1-C5	-29024-	2-G3		2-E4
-15001-	2-D3	90368-45066-	2-A5	-10074-	2-D1	-28003-	1-B5	-29025-	2-G3	-34001-	2-C3
-18002-	2-K1		2-E4	-15261-	1-B3	-31001-	1-B5	-29026-	2-G3	-35005-	2-B3
	2-K3	-45037-	2-D5	-18007-	2-K1	-42001-	1-B4	-29027-	2-G3	-35007-	2-B2
	2-M2		2-14		2-K3	90468-12003-	2-E7	-29051-	1-K2	-35008-	2-B3
-18006-	2-K1	-49084-	2-D5		2-L2	90480-01167-	3-C10	-29099-	2-D2	-36001-	2-B2
	2-M2		2-14	-18008-	2-K1		3-I6	-29286-	2-G3	90562-30002-	2-H5
-18049-	2-A5	90369-22001-	2-15		2-L2	-16060-	3-H1	-29287-	2-G3	-31001-	2-H5
	2-F4	-30028-	1-13	-18012-	1-B3	-17158-	2-J6	-29288-	2-G3	-32001-	2-H5
-18057-	2-A5	-35007-	1-13		1-G3	-18180-	1-E2	-30214-	2-C2	-47001-	2-H5



FIG. 33-02

## GENUINE TOYOTA PARTS

2-K1

## GENUINE TOYOTA PARTS

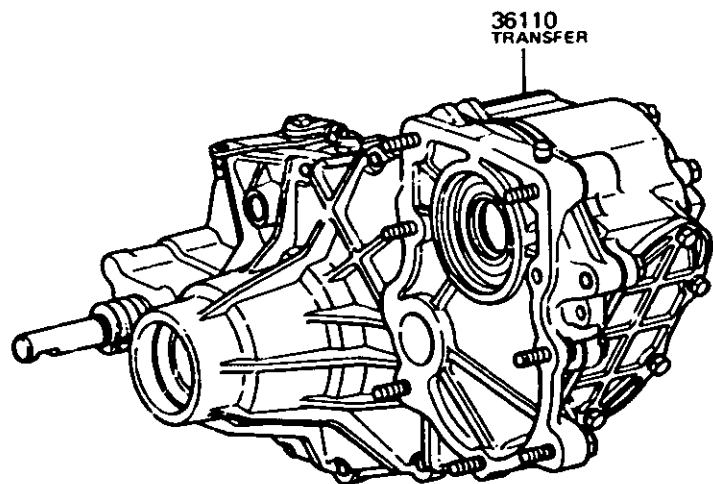
PROD. DATE	MODELS	DESCRIPTION	P/N	PART NUMBER	QTY	REV. REF. CODE		PROD. DATE	MODELS	DESCRIPTION	P/N	PART NUMBER	QTY	REV. REF. CODE	
						FROM	UP TO							FROM	UP TO
FIG.	33-02	CLUTCH HOUSING & TRANSMISSION CASE (MTM)													
	1 31111	HOUSING, CLUTCH OR TRANSMISSION (MTM)		31111-60070-	1	1	80		1 33112A	ADAPTER, TRANSFER		36117-60020-	1	19	80
8003-8410	BJ42							8210-8410	BJ42						
	1 31121	COVER, CLUTCH HOUSING, MC-1		31121-60021-	1	1			1 33112B	GASKET, TRANSFER ADAPTER		33142-60020-	1	19	80
8008-8307	FJ40							8210-8410	BJ42						
	1 33104	PLUG SUB-ASSY, DRAIN (MTM)		90341-18057-	1	1	80		1 33112C	PIN, STRAIGHT (FOR TRANSFER ADAPTER)		90250-12216-	2	19	80
8008-8410	BJ42, FJ40							8210-8410	BJ42						
	1 33104A	GASKET, DRAIN PLUG (MTM)		90430-18008-	1		80		1 33112D	SEAL, OIL (FOR TRANSFER ADAPTER)		90312-17001-	1	19	80
8408-8410	BJ42							8210-8410	BJ42						
8008-8109	BJ42, FJ40			12157-10010-	1	1			1 33131	RETAINER, TRANSMISSION BEARING, FRONT		33131-60030-	1	1	80
8109-8408	BJ42, FJ40			90430-18007-	1			8008-8410	BJ42						
	1 33111	CASE, MANUAL TRANSMISSION		33111-60060-	1	19	82	8008-8309	FJ40			33131-60020-	1	1	
8210-8408	BJ42								1 33131A	SEAL, OIL (FOR TRANSMISSION FRONT BEARING RETAINER)		90311-28004-	1	1	80
8408-8410	BJ42			33111-60070-	1	83	80	8008-8410	BJ42, FJ40						
8007-8208	BJ42, FJ40			33111-60040-	1	1	28		1 33132	GASKET, TRANSMISSION FRONT BEARING RETAINER		33132-36010-	2	1	80
				33111-60H00-	1			8008-8410	BJ42, FJ40						
8208-8309	BJ42, FJ40, 4F			33111-6004-	1	29			1 33151	RETAINER, OUTPUT SHAFT REAR BEARING		33151-60010-	1	19	80
	1 33111A	PLUG, MANUAL TRANSMISSION CASE		90341-13002-	1	1		8210-8410	BJ42						
8008-8305	BJ42, FJ40			90341-18004-	1		80								
8305-8410	BJ42, FJ40														
	1 33111J	PIN, STRAIGHT FOR MANUAL TRANSMISSION CASE		90250-10214-	1	19	80								
8210-8410	BJ42	L=14, CD=10		90250-12146-	2	1	80								
8008-8410	BJ42, FJ40	L=17, CD=12		90250-12216-	2	1	80								
8003-8410	BJ42, FJ40	L=14, CD=12		90250-12216-	2	1	80								
	1 33111X	GASKET, TRANSMISSION CASE PLUG		90430-18008-	1		82								
8408-8410	BJ42			12157-10110-	1	1									
8008-8409	BJ42, FJ40			90430-18007-	1										
8109-8408	BJ42, FJ40														

FIG.36-08 TRANSFER ASSEMBLY & GASKET KIT

2-K2

GENUINE TOYOTA PARTS

(8008- )



MC 7104

PROD. DATE	MODELS	DESCRIPTION	PART NUMBER	QTY	REV. REF. COPIES	
					FROM	UP TO
		FIG. 36-08 TRANSFER ASSEMBLY & GASKET KIT				
		36110 TRANSFER ASSY				
8210-8302	BJ42		36110-60270-	1	19	40
8302-8410	BJ42		36110-60271-	1	41	80
8008-8201	BJ42, FJ40		36100-60952-	1	1	
8201-8210	BJ42, FJ40		36110-60160-	1		18
8210-8302	FJ40		36110-60161-	1	19	40
8302-8309	FJ40		36110-60162-	1	41	

FIG. 38-02

## GENUINE TOYOTA PARTS

2-K3

## GENUINE TOYOTA PARTS

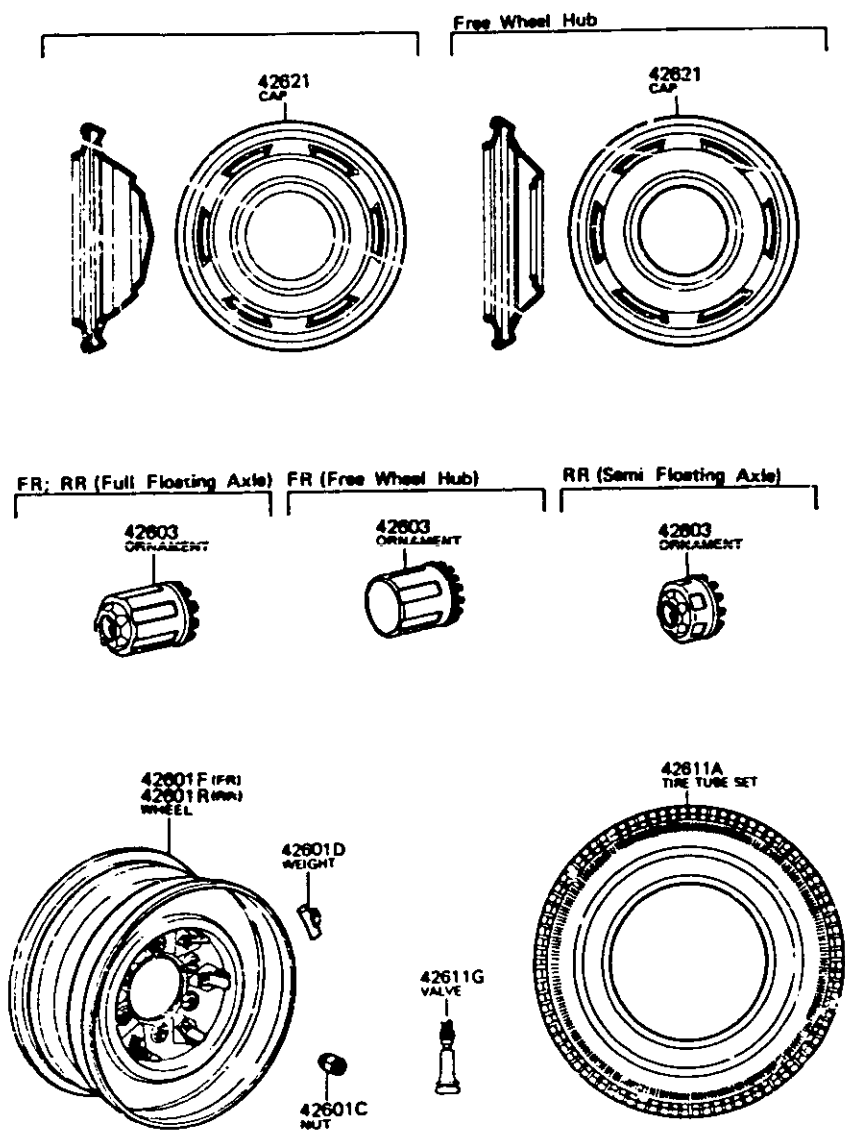
PROD. DATE	MODELS	DESCRIPTION	PART NUMBER	QTY	REV. CODE		PROD. DATE	MODELS	DESCRIPTION	PART NUMBER	QTY	REV. CODE	
					FROM	UP TO						FROM	UP TO
FIG.	38-02 WINCH												
	38101	CASE SUB-ASSY, WINCH GEAR	38101-60040-	1	1	80		38110B	GASKET (FOR FILLER PLUG)	90430-18007-	1		80
8008-8410	BJ42,FJ40							CONTINUED					
	38102	GEAR SUB-ASSY, COUNTER SHAFT	38102-60040-	1	1	80		38110C	PLUG, DRAIN	90341-18057-	1	1	80
8008-8410	BJ42,FJ40							BJ42,FJ40					
	38103	DRUM SUB-ASSY, WINCH	38103-60040-	1	1	80		38110D	GASKET (FOR DRAIN PLUG)	12157-10010-	1	1	80
8008-8410	BJ42,FJ40							BJ42,FJ40		90430-18007-	1		80
	38105	COVER SUB-ASSY, WINCH GEAR CASE	38105-60040-	1	1	80		38113A	RETAINER, SHIFT SHAFT	38113-60040-	1	1	80
8008-8302	BJ42,FJ40							BJ42,FJ40					
9302-8410	BJ42,FJ40		38105-60041-	1		83		38116	COVER, WINCH	38116-60010-	1	1	80
	38105B	PLUG, TIGHT (FOR WINCH GEAR CASE COVER)	90351-16050-	1	1	80		BJ42,FJ40		38264-07010-	1	1	80
8008-8410	BJ42,FJ40	OD=16						BJ42,FJ40					
8008-8410	BJ42,FJ40	OD=20	90351-20001- (90351-20044-)	1	1	80		38118	COVER, WINCH DRUM HOUSING	38118-60040-	1	1	80
	38105C	RING, O (FOR WINCH GEAR CASE COVER)	90301-59044-	1	1	80		BJ42,FJ40					
8008-8410	BJ42,FJ40							38121	GASKET, WINCH GEAR CASE COVER	38121-60040-	1	1	80
	38106	HOUSING SUB-ASSY, WINCH DRUM	38106-60040-	1	1	80		BJ42,FJ40					
8008-8410	BJ42,FJ40							38122	GASKET, SHIFT SHAFT RETAINER	38122-60040-	1	1	80
	38110	WINCH ASSY	38110-60040- (38110-60041-)	1	1	80		BJ42,FJ40					
8008-8302	BJ42							38127	SPACER, INPUT SHAFT	38127-60040-	1	1	80
8302-8410	BJ42							BJ42,FJ40					
8008-8302	FJ40		38110-60050- (38110-60051-)	1	1	80		38131B	GEAR, COUNTER NO.1	38131-60040-	1	1	80
8302-8309	FJ40							BJ42,FJ40					
	38110A	PLUG, FILLER	90441-18002-	1	1	80		38133A	COUNTER SHAFT	38133-60040-	1	1	80
8008-8410	BJ42,FJ40							BJ42,FJ40					
	38110B	GASKET (FOR FILLER PLUG)	12157-10010-	1	1	80		38133B	RING, O (FOR COUNTER SHAFT)	96710-02014- (96711-24014-)	1	1	80
8008-8111	BJ42,FJ40							BJ42,FJ40					

FIG. 41-03 WHEEL CAP & WHEEL ASSEMBLY

2-K4

GENUINE TOYOTA PARTS

(8008- )



PROD. DATE	MODELS	DESCRIPTION	PART NUMBER	QTY	REV. REF. CODE	
					FROM	UP TO
FIG.	41-03 WHEEL CAP & WHEEL ASSEMBLY					
		42601C NUT, HUB (FOR AXLE)				
8008-8305	BJ42,FJ40	6JJ-15	90942-01030-	24		
3008-8410	BJ42,FJ40	5.5JJ-15	90942-01007-	24		80
8305-8410	BJ42,FJ40	6JJ-15	90942-01047-	24		80
		42601D WEIGHT, BALANCE (FOR DISC WHEEL)				
8008-8410	BJ42,FJ40	20G	90942-03079-	33		80
8008-8410	BJ42,FJ40	30G	90942-03050-	33		80
8008-8410	BJ42,FJ40	40G	90942-03081-	33		80
8008-8410	BJ42,FJ40	50G	90942-03082-	33		80
8008-8410	BJ42,FJ40	60G	90942-03083-	33		80
8008-8410	BJ42,FJ40	70G	90942-03084-	33		80
8008-8410	BJ42,FJ40	80G	90942-03085-	33		80
8008-8410	BJ42,FJ40	100G	90942-03086-	33		80
8008-8410	BJ42,FJ40	10G	90942-03107-	33		80
		42601F WHEEL, DISC (FOR FRONT)				
8008-8410	BJ42,FJ40	5.5JJ-15,W /O WHEEL CAP	42601-60072-	2		80
8008-8410	BJ42,FJ40	5.5JJ-15,W /O WHEEL CAP	42601-60082-	2		80
8008-8410	BJ42,FJ40	6JJ-15	42601-60130-05	2		80
8008-8410	BJ42,FJ40	6JJ-15,CHR OME PLATED	42601-60150-	2		80
		42601R WHEEL, DISC (FOR REAR)				
8008-8410	BJ42,FJ40	5.5JJ-15,W /O WHEEL CAP	42601-60072-	2		80
8008-8410	BJ42,FJ40	5.5JJ-15,W /O WHEEL CAP	42601-60082-	2		80
8008-8410	BJ42,FJ40	6JJ-15	42601-60130-05	2		80
8008-8410	BJ42,FJ40	6JJ-15,CHR OME PLATED	42601-60150-	2		80

FIG. 45-01

## GENUINE TOYOTA PARTS

2-K5

## GENUINE TOYOTA PARTS

PROD. DATE	MODELS	DESCRIPTION	P	PART NUMBER	QTY	REV. REF. CODE		PROD. DATE	MODELS	DESCRIPTION	P	PART NUMBER	QTY	REV. REF. CODE	
						FROM	UP TO							FROM	UP TO
6008-8410	45240B	SEAL, OIL (FOR STEERING WORM)		90311-16001-	1	1	80	8008-8410	45301A	BUSH OR BEARING, SECTOR SHAFT, NO. 1		90999-73061-	1	1	80
	BJ42, FJ40		BJ42, FJ40												
8008-8410	45253	COVER, STEERING COLUMN HOLE		45025-60040-	1	1	80	8008-8410	45301B	SEAL, OIL (FOR SECTOR SHAFT)		45310-32024-	1	1	80
	BJ42, FJ40		BJ42, FJ40												
8008-8410	45254	SHIELD, STEERING COLUMN HOLE COVER		45254-60040-	1	1	80	8008-8410	45301H	BUSH OR BEARING, SECTOR SHAFT, NO. 2		90999-73061-	1	1	80
	BJ42, FJ40		BJ42, FJ40												
8008-8410	45255	PLATE, STEERING COLUMN HOLE COVER		45255-60020-	1	1	80	8008-8410	45310	HOUSING ASSY, STEERING GEAR		45310-36070-	1	1	80
	BJ42, FJ40		BJ42, FJ40, .CND												
8008-8410	45255A	BUSH OR RING, O (FOR STEERING COLUMN CLAMP)		90301-60122-	1	1	80	8008-8309	FJ40, .USA			45310-60030-	1	1	80
	BJ42, FJ40								45310-36070-	45310-36070-	45310-36070-				
8008-8410	45269	RETAINER, MAIN SHAFT BEARING		45269-36910-	1	1	80	8008-8410	45312	BRACKET, STEERING GEAR HOUSING		45317-50041-	1	1	80
	BJ42, FJ40		BJ42, FJ40												
8008-8110	45275	BRACKET, STEERING COLUMN, UPPER		45280-60042-	1	1	6	8008-8410	45321	COVER, GEAR HOUSING END		45321-36020-	1	1	40
	BJ42		W/STEERING LOCK (45280-60043-)						BJ42, FJ40						
8110-8209				45280-60062-	1	1	80	8008-8410	45323	SHIM, GEAR HOUSING END COVER		45323-36010-	33	1	80
	BJ42, FJ40		W/STEERING LOCK (45280-60063-)	BJ42, FJ40					T=0.05						
8209-8410				45280-60063-	1	1	80	8008-8410				45323-36020-	33	1	80
	BJ42, FJ40		W/STEERING LOCK	BJ42, FJ40					T=0.07						
8008-8110				45280-60062-	1	1	6	8008-8410				45323-36030-	33	1	80
	FJ40		W/STEERING LOCK (45280-60063-)	BJ42, FJ40					T=0.08						
8008-8209				45280-60052-	1	1	80	8008-8410				45323-36040-	33	1	80
	FJ40		W/O STEERING LOCK (45280-60053-)	BJ42, FJ40					T=0.10						
8209-8309				45280-60053-	1	1	80	8008-8410				45323-36050-	33	1	80
	FJ40		W/O STEERING LOCK	BJ42, FJ40					T=0.20						
8008-8410	45281	HOUSING, STEERING COLUMN		45285-60909-	1	1	80	8008-8410				45323-36060-	33	1	80
	BJ42, FJ40		W/STEERING LOCK						BJ42, FJ40	T=0.50					
8008-8309				45286-60007-	1	1	80	8008-8410				45323-36070-	33	1	80
	FJ40		W/O STEERING LOCK	BJ42, FJ40					T=0.06						
8008-8410	45301	HOUSING SUB-ASSY, STEERING GEAR		45301-36020-	1	1	80	8008-8410				45323-36080-	33	1	30
	BJ42, FJ40								BJ42, FJ40	T=0.07					
8008-8410					1	1	80	8008-8410	45331	COVER, SECTOR SHAFT END		45304-36020-	1	1	80
	BJ42, FJ40			BJ42, FJ40											
8008-8410					1	1	80	8008-8410	45332	GASKET, SECTOR SHAFT END COVER		45332-36010-	1	1	80
	BJ42, FJ40			BJ42, FJ40											

FIG. 46-01

GENUINE TOYOTA PARTS

2-K6

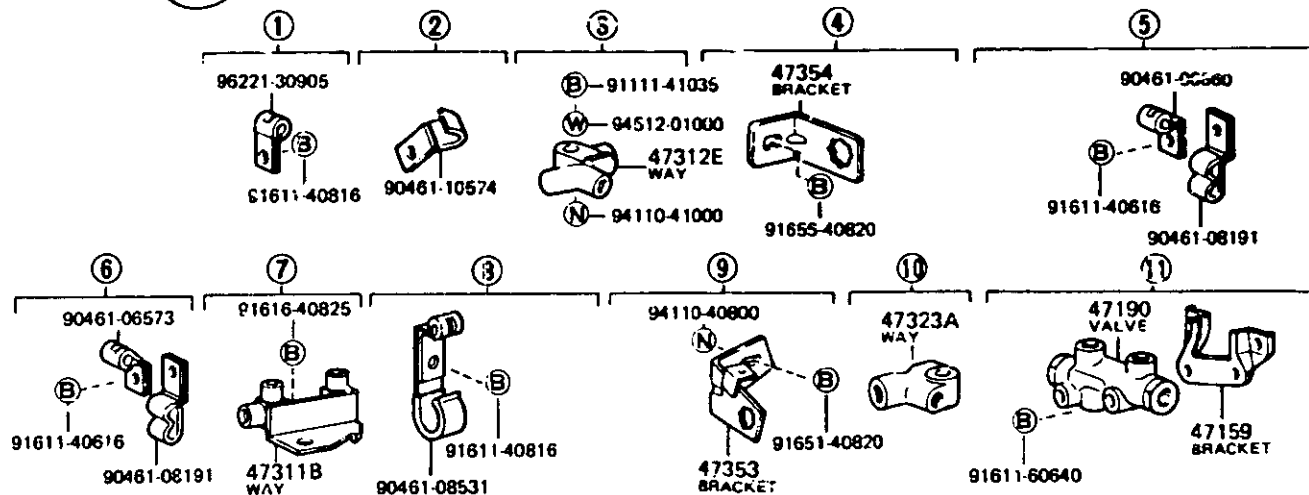
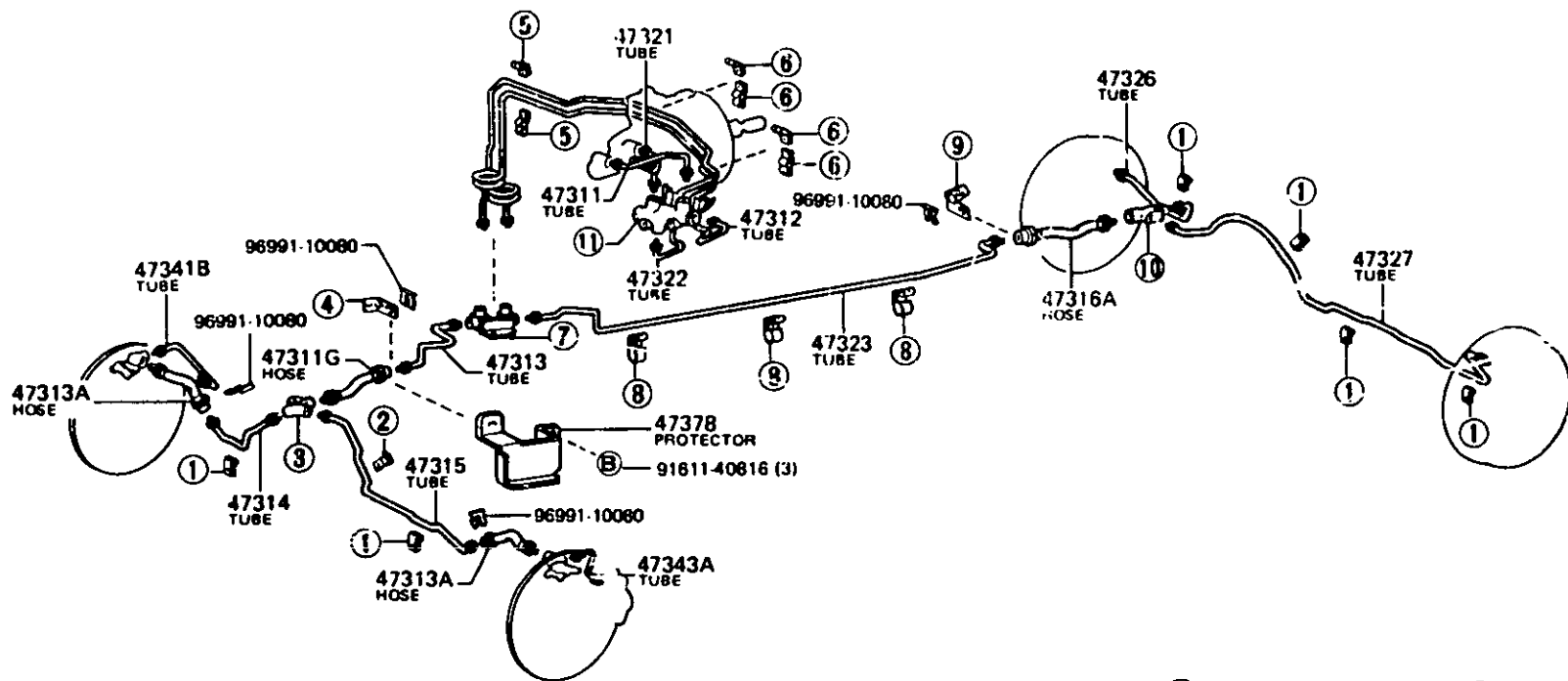
GENUINE TOYOTA PARTS

PROD. DATE	MODELS	DESCRIPTION	P	PART NUMBER	QTY	REV. REF. CODE		PROD. DATE	MODELS	DESCRIPTION	P	PART NUMBER	QTY	REV. REF. CODE	
						FROM	UP TO							FROM	UP TO
8008-8410	← 46458 →	RETAINER, CABLE	P	46458-30020-	1	1	80								
	BJ42-FJ40														
8008-8410	← 46469 →	LEVER, CABLE GUIDE SUPPORT	P	46469-60020-	2	1	80								
	BJ42-FJ40														

FIG.47-08 BRAKE TUBE & CLAMP

2-K7

(8008-8309)FJ40



MC 7243-B

MC 7243B

876-11-6113

90562 - 90987

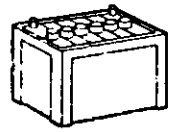


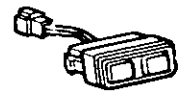
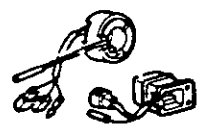
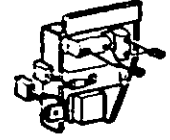
K14

90999 - 99915

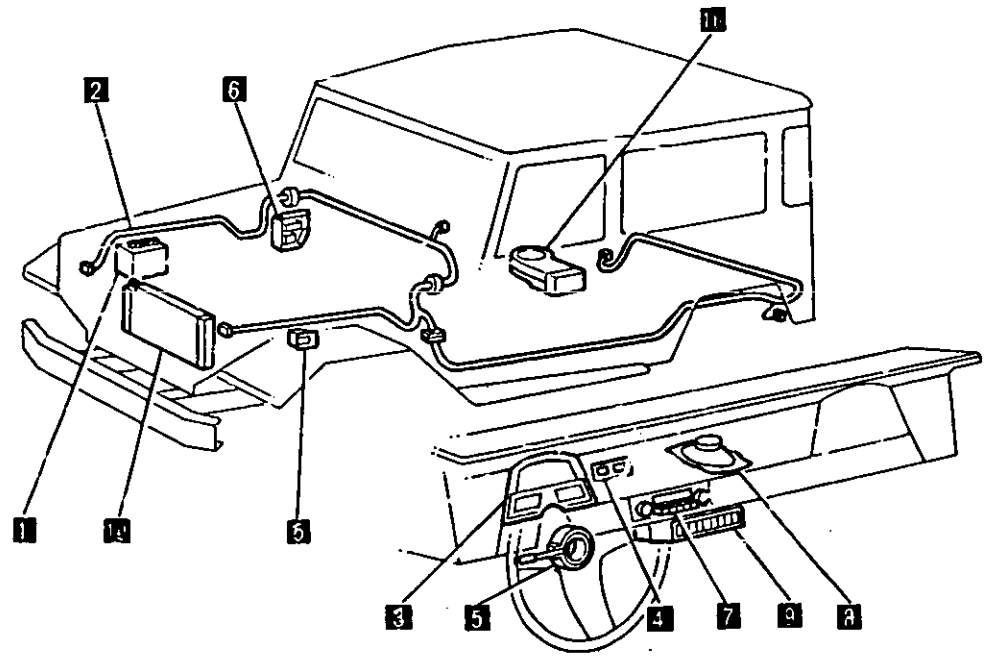
PART NUMBER	LOCATION	PART NUMBER	LOCATION	PART NUMBER	LOCATION	PART NUMBER	LOCATION	PART NUMBER	LOCATION	PART NUMBER	LOCATION
90562-47002-	2-H5	90919-02083-	1-J5	90942-03082-	2-K4	90999-00006-01	3-M4	96132-30600-	2-F4	97134-12030-	3-A8
-67001-	2-I5	-02113-	1-J5	-03083-	2-K4	-00006-02	3-M4	-30800-	1-K6	-2034-	3-B8
90564-30035-	2-B5	-03059-	1-J5	-03084-	2-K4	-00006-03	3-M4	96151-01700-	2-A6	99142-87-5-	3-G7
	2-E4	-12345-	1-J5	-03085-	2-K4	-00006-04	3-M4	-02000-	2-M6	99332-11250-	3-I10
-68001-	2-B5	-12346-	1-J5	-03086-	2-K4	-00006-05	3-M4	96160-00500-	2-H7	99343-01195-	1-A4
	2-E4	-12347-	1-J5	-03107-	2-K4	-00006-06	3-M4	-01200-	2-L3	-11070-	1-A4
-68002-	2-B5	-12348-	1-J5	-05009-	2-L4	-00066-	3-M4	-01500-	2-L3	-11200-	1-A4
	2-E4	-12349-	1-J5	90945-02048-	2-F6	-41138-	1-B7	96395-71400-	1-K6	-11265-	1-A4
-68003-	2-B5	-12372-	1-J5	90947-02230-	2-D1	-41147-	1-B7	96411-11200-	1-G1	-11510-	2-D6
	2-E4	-13163-	1-J5	-02358-	2-D1	-42200-	1-B7	-11400-	1-J1	-11570-	2-D6
-68004-	2-B5	-21326-	1-J5	90948-03003-	2-E8	-43080-	1-B7	-12000-	1-E4	99552-20100-	3-D10
	2-E4	90923-02062-	1-J6		2-H8	-70067-	2-A8	-12500-	1-G1		3-K9
-68005-	2-B5	-02065-	1-J6	-03004-	2-E8	-73061-	2-K5	-12800-	1-G1	-30100-	3-C10
	2-E4	-02072-	1-J6		2-H8	-73088-	1-G2		1-J1		3-K9
-70001-	2-B3	-02073-	1-J6	90950-01155-	3-U2	-73089-	2-B3	-13000-	1-J1	-30300-	3-C10
-70002-	2-B3	-05005-	1-D8	-01156-	3-D2	91121-51070-	2-D1	-13500-	1-J1		
						-51070-	2-L6	-42500-	1-G1	-30500-	3-C10
-70003-	2-B3	-05014-	1-G3	-01200-	1-A2	91611-40828-	2-G1	-30700-	1-J1	99553-30210-	1-G3
-70004-	2-B3	-06001-	1-D8	-01225-	3-D2	-41055-	2-G1	-45000-	1-G1	-30280-	1-G3
-70005-	2-C3	90925-01021-	1-F5	-01329-	3-D2	-60855-	1-L2		1-J1	99555-30210-	1-G3
-70006-	2-C3	-01029-	1-F5	-01330-	3-D2	-60865-	1-L2	96431-03833-	1-J1	-30280-	1-G3
-70007-	2-C3	-03058-	1-F5	-04010-	3-F2	92122-61028-	1-E4	-03873-	1-A4	99556-20060-	3-D10
-70008-	2-C3	-05035-	1-F5	90980-04011-	3-CV	92132-60822-	1-E4	-23814-	1-A4		
-70009-	2-C3	-05046-	1-F5	-04021-	3-C9	94110-41000-	2-D8		1-J1		
-70010-	2-C3	90930-03031-	2-A5	-07003-	3-J7	-51000-	2-H6	96710-01007-	2-A6	-30050-	3-K9
-70011-	2-C3	-03058-	2-L5	-07056-	3-J7	94115-71200-	2-G7	-01008-	1-L7	-30075-	3-C10
-70012-	2-C3	-03075-	2-M2	-07175-	3-J7	94271-00800-	1-K4	-01010-	2-H5	-30210-	3-C10
-70013-	2-C3	90937-01117-	2-L4	90981-01016-	3-K6	94512-01000-	2-H6	-01013-	2-B6	-30310-	3-C10
90910-01006-	1-L2	-01118-	2-L4	-01046-	3-K6	94621-11000-	2-H6	-01014-	2-B6	-30320-	3-C10
-02046-	1-G1	-01119-	2-L4	-11004-	3-E7	95161-10322-	2-D2		2-H5	-30520-	3-C10
-02050-	1-G1	-01120-	2-L4	-11006-	3-C8	-10416-	1-H2	-02014-	2-K3	99911-10250-	1-B1
-02054-	1-J1	-01121-	2-L4	-11009-	3-F8	-10519-	1-I2	96711-19007-	2-16	99913-12000-	1-A1
-02057-	1-J1	-01122-	2-L4		3-J6						
-05152-	1-E2	-01132-	2-F3	-11010-	3-C8	-10519-	1-K2	-19010-	2-F2	99914-11012-	1-B1
-05155-	1-C3	-01136-	2-F3	-11018-	3-B8	95331-10016-	3-G1	-19010-	2-H5	-11417-	1-B1
-06036-	1-E2	-01140-	2-F3	-11022-	3-B8	95332-04020-	1-F7	-19013-	2-B6	99915-10700-	1-A1
-09066-	1-A4	-01147-	2-F3	-11024-	2-B4	-06010-	3-E6	-19017-	2-B6		
-09070-	1-J1	-01148-	2-F3	-16014-	3-L6	-06020-	3-E6		2-H5		
-09072-	1-J1	-01149-	2-F3		3-M6		3-F6	96740-02063-	1-J6		
90913-01003-	1-H2	-01150-	2-F3	-16015-	3-M6		3-G6	96910-32395-	2-L7		
-02048-	1-K2	-01151-	2-F3	-16016-	3-C7		3-E6	96940-32605-	2-L7		
-02051-	1-K2	-01152-	2-F3		3-L6	-06040-	3-E6	-33405-	2-L7		
-03012-	1-K2	-01153-	2-F3	-16017-	3-B7	-06060-	3-E6	-34305-	2-L7		
-03019-	1-L2	-01154-	2-F3	-16019-	3-E7	-08020-	1-K6		2-C2		
-05007-	1-L2	-01155-	2-F3	-16022-	2-B4		3-F6	97153-06332-	2-B2		
-05021-	1-L2	-01156-	2-F3	90982-01370-	3-G7	-08030-	3-E6	97154-06308-	2-C3		
90915-01014-	1-J1	-01157-	2-F3	-01378-	3-G7	-08040-	3-E6	97609-30307-	2-B8		
-01015-	1-K1	-01158-	2-F3	-01393-	3-G7		3-F6	97610-30303-	2-B8		
90916-01056-	1-B4	-01184-	2-F3	-01415-	3-G7	-08060-	3-F6	97619-30306-	2-B5		
						95411-10095-	3-E10		2-E4		
-01163-	1-B4	-01191-	2-F3	-01422-	3-G7	-19960-	3-E10	-30308-	2-B5		
-02089-	2-D3	-01192-	2-F3	-02065-	3-G7	95441-09500-	2-D7		2-D4		
-03045-	1-M3	-01193-	2-F3	-02103-	3-G7	96111-10270-	1-G3	99118-62905-	3-F8		
-03052-	1-M3	-01194-	2-F3	-02112-	3-G7	-10380-	1-B5	-52910-	3-F8		
-03059-	1-M3	-01198-	2-F3	-05005-	3-G7	-10510-	1-B4	-62915-	3-F8		
90917-06003-	1-H4	-01199-	2-F3	-07008-	3-F5	-10530-	1-B4	-62920-	3-F8		
-06012-	1-H4	-01200-	2-F3	-08081-	3-J7	-0560-	1-B4	99132-11075-	3-B7		
	1-L4	90942-01007-	2-K4	-08147-	3-J7	-10580-	1-B4	-11230-	3-E7		
-06024-	1-L4		3-D1	-08151-	3-J7	-10650-	1-L4		3-M6		
-10020-	3-G6			-08186-	3-J7	-10670-	1-L4	-11270-	3-L6		
-12032-	1-F5	-01030-	2-K4	-08191-	3-J7	-10690-	1-L4	-12034-	3-A8		
-10057-	1-B5	-01047-	2-K4	-08213-	3-J7	-10750-	1-L4		3-B8		
	1-CS	-02034-	2-J4			-10800-	1-L4	-12050-	3-C7		
-11023-	1-F5	-02044-	2-D5	90954-01005-	3-F8	96112-10250-	1-G3		3-L6		
-11024-	1-F5	-03079-	2-K4	-01007-	3-G9	-10330-	1-M3	-21230-	3-M6		
90919-01065-	1-J5	-03080-	2-K4	90986-02001-	3-F10	-10380-	1-B5	99134-11030-	3-B8		
		-03081-	2-K4	90987-02004-	3-HE						





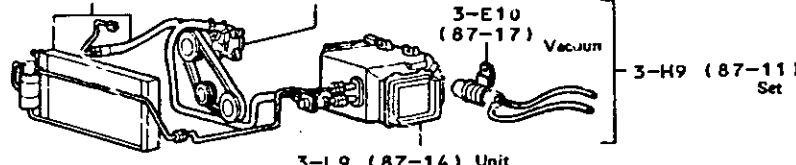
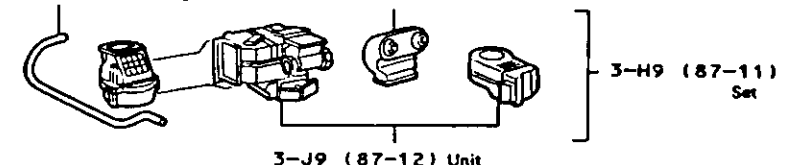
ILLUSTRATED INDEX

<p>3-F7 (82-01) 1</p>  <p>Battery &amp; Cable</p>	<p>3-H7 (82-02) 2</p>  <p>Wiring &amp; Clamp</p>	<p>3-M7 (83-01) 3</p>  <p>Meter</p>	<p>3-B8 (83-02) 4</p>  <p>Indicator</p>	<p>3-D8 (84-01) 5</p>  <p>Switch &amp; Relay</p>	<p>3-18 (84-06) 6</p>  <p>EDIC</p>
--	---	---	--	---	---

ELECTRICAL GROUP (2/2)



<p>3-B9 (86-01) 7</p>  <p>Radio &amp; Tape Player</p>
<p>3-D9 (86-02) 8</p>  <p>Speaker</p>

<p>3-F10 (87-18) Piping 3-H10 (87-19) Compressor 3-E10 (87-17) Vacuum 3-L9 (87-14) Unit 3-H9 (87-11) Set</p> 	<p>3-B10 (87-16) Piping 3-A10 (87-15) Duct 3-J9 (87-12) Unit 3-H9 (87-11) Set</p> 
---	---

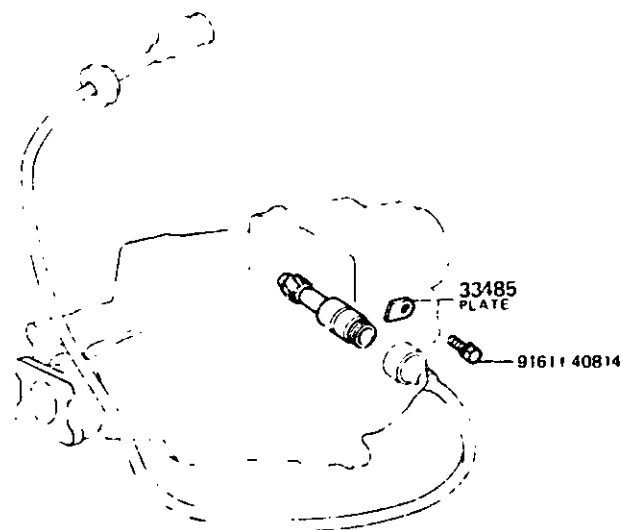
ME 9651-A

FIG.33-04 SPEEDOMETER DRIVEN GEAR (MTM)

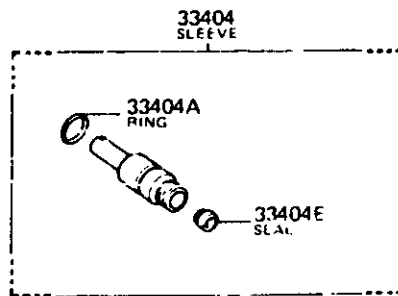
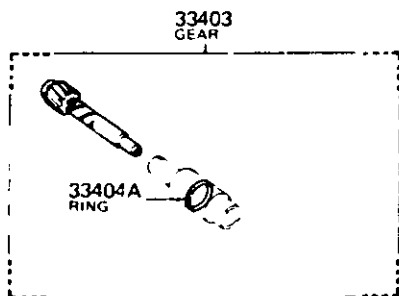
2-L1

GENUINE TOYOTA PARTS

(8008- )



PROO. DATE	M O D E L S	DESCRIPTION	PART NUMBER	NEW QTY. CODE	
				FROM	UP TO
FIG.	33-04	SPEEDOMETER DRIVEN GEAR (MTM)			
		33403 GEAR SUB-ASSY. SPEEDOMETER DRIVEN (MTM)			
8008-8410	BJ42.FJ40.CND	N=17	33403-67016-	1	80
8008-8309	FJ40	N=16	33403-69075-	1	
		33404 SLEEVE SUB-ASSY. SPEEDOMETER SHAFT (MTM)			
8008-8410	BJ42.FJ40		33404-30040-	1	80
		33404A RING, O (FOR MANUAL TRANSMISSION SPEEDOMETER SHAFT SLEEVE)			
8008-8410	BJ42.FJ40		90301-1801E-	1	80
		33404E SEAL, TYPE S OIL (FOR SPEEDOMETER SHAFT SLEEVE)			
8008-8410	BJ42.FJ40		90310-09001-	1	80
		33485 PLATE, SPEEDOMETER SLEEVE LOCK (MTM)			
8008-8410	BJ42.FJ40		33485-30020-	1	80



MC 7084

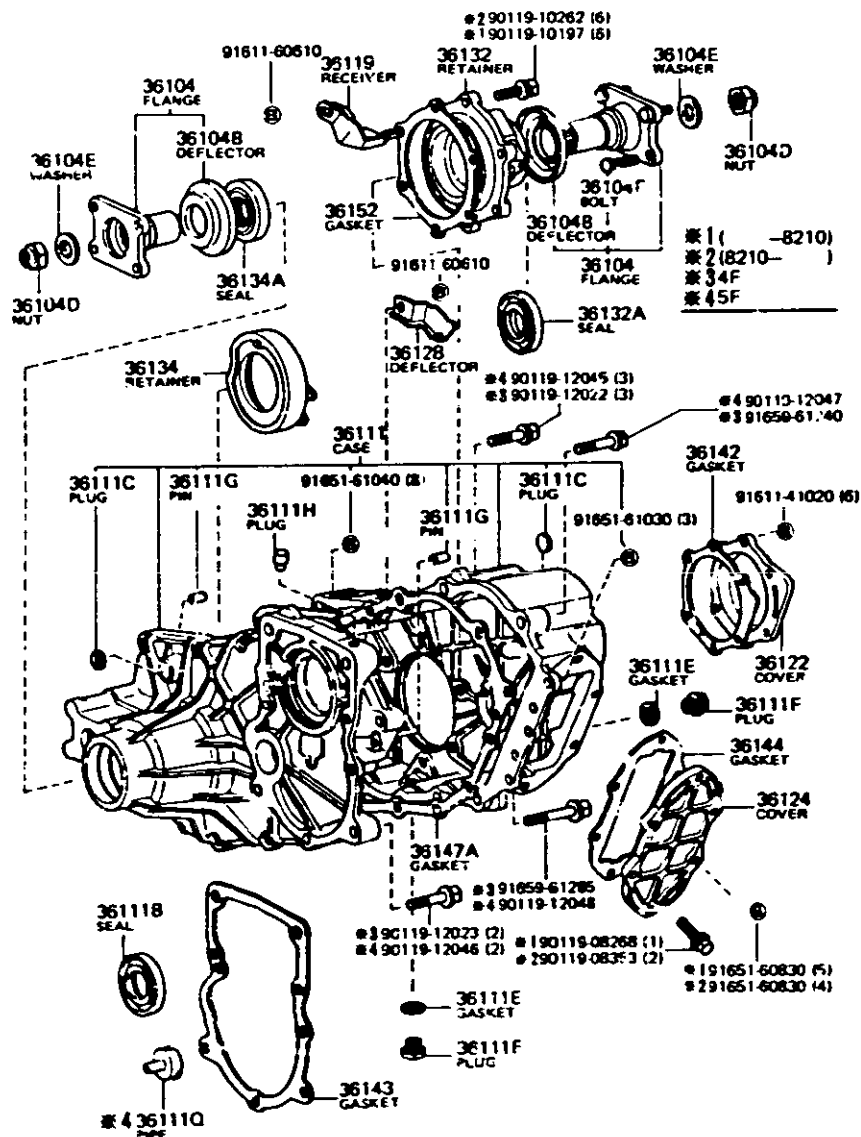
FIG.35-09 TRANSFER CASE & EXTENSION

HOUSING

2-L2

GENUINE TOYOTA PARTS

(8008- )



MC 7106-D

PROD. DATE	MODELS	DESCRIPTION	PART NUMBER	QTY	REV. REF. CODE	
					FROM	UP TO
FIG.	35-09 TRANSFER CASE & EXTENSION HOUSING					
	36104	FLANGE, COMPANION (FOR TRANSFER OUTPUT SHAFT)				
8408-8410	BJ42	FR DRIVE	33309-60040-	1	83	80
8408-8410	BJ42	FR DRIVE	33309-60080-	1	83	80
8008-8408	BJ42,FJ40	FR DRIVE	33309-60010-	1	82	
8008-8408	BJ42,FJ40	RR DRIVE	33309-60020-	1	82	
	36104B	DEFLECTOR, DUST (FOR TRANSFER OUTPUT SHAFT)				
8008-8410	BJ42,FJ40	FR DRIVE	33325-60010-	1	80	
8008-8410	BJ42,FJ40	RR DRIVE	33325-60020-	1	80	
	36104D	NUT (FOR TRANSFER OUTPUT SHAFT)				
8008-8410	BJ42,FJ40		90179-22005-	2	80	
	36104E	WASHER, PLATE (FOR TRANSFER OUTPUT SHAFT)				
8008-8410	BJ42,FJ40		90201-22005-	2	80	
	36104F	BOLT, SERRETION (FOR TRANSFER OUTPUT SHAFT COMPANION FLANGE)				
8008-8410	BJ42,FJ40		90114-11124-	4	80	
	36111	CASE, TRANSFER				
8008-8210	BJ42,FJ40		36103-60010- (36103-60030-)	1	18	
8210-8410	BJ42,FJ40		36103-60011-	1	19	80
	36111B	SEAL, OIL (FOR TRANSFER CASE)				
8008-8210	BJ42,FJ40		90311-48002-	1	18	
8210-8410	BJ42,FJ40		90311-48007-	1	19	80
	36111C	PLUG (FOR TRANSFER CASE)				
8008-8410	BJ42,FJ40		90331-16050-	2	80	
	36111E	GASKET (FOR TRANSFER CASE)				
8408-8410	BJ42		90430-18008-	2	80	
8008-8109	BJ42,FJ40		12157-10010-	2		
8109-8408	BJ42,FJ40		90430-18007-	2		

MC7106B

19-13-85

FIG. 38-02

GENUINE TOYOTA PARTS

2-L3

GENUINE TOYOTA PARTS

PROD. DATE	MODELS	DESCRIPTION	P /	PART NUMBER	QTY	REV. REF. CODE		PROD. DATE	MODELS	DESCRIPTION	P /	PART NUMBER	QTY	REV. REF. CODE	
						FROM	UP TO							FROM	UP TO
8008-8410	BJ42, FJ40	GEAR, WINCH OUTPUT		38134-60040-	1	1	80	8J08-8410	BJ42, FJ40	SEAL, GEAR CASE COVER OIL		38186-60040-	1	1	80
8008-8410	BJ42, FJ40	SHAFT, WINCH INPUT		38137-60040-	1	1	80	8008-8410	BJ42, FJ40	SEAL, GEAR CASE OIL		38187-60040-	1	1	80
8008-8410	BJ42, FJ40	RING, E (FOR WINCH INPUT SHAFT)		96160-01500-	1	1	80	8008-8410	BJ42	PLATE, CAUTION, NO. 1		38191-60030-	1	1	80
8008-8410	BJ42, FJ40	LOCK, WIRE		38143-60010-	1	1	80	8008-8309	FJ40	38191-60010-			1	1	
8008-8410	BJ42, FJ40	SPACER, WINCH DRUM, NO. 1		38151-60040-	1	1	80	8008-8410	BJ42, FJ40	PLATE, CAUTION, NO. 2		38192-60010-	1	1	80
8008-8410	BJ42, FJ40	SPACER, WINCH DRUM, NO. 2		38152-60040-	1	1	80	8008-8410	BJ42, FJ40	PLATE, CAUTION, NO. 3		38193-60010-	1	1	80
8008-8410	BJ42, FJ40	PLATE, WIRE LOCK		38153-60040-	1	1	80	8008-8302	BJ42, FJ40	RACE SUB-ASSY, CLUTCH OUTER		38202-60040-	1	1	
8008-8410	BJ42, FJ40	SPRING, SHIFT LOCK		38182-60040-	1	1	80	8302-8410	BJ42, FJ40	38202-60041-			1	80	
8008-8410	BJ42, FJ40	BALL (FOR SHIFT LOCK SPRING)		90360-05004-	1	1	80	8008-8410	BJ42, FJ40	DISC SUB-ASSY, CLUTCH INNER		38203-60040-	4	1	80
8008-8302	BJ42, FJ40	PIN, BRAKE SHAFT LOCK		38183-60040-	1	1		8008-8410	BJ42, FJ40	GEAR SUB-ASSY, BRAKE SHAFT DRIVEN		38205-63040-	1	1	80
8302-8410	BJ42, FJ40	L=48		38183-60041-	1	80		8008-8410	BJ42, FJ40	HUB, WINCH CLUTCH		38211-60040-	1	1	80
8008-8302	BJ42, FJ40	L=60		38184-60040-	1	1		8008-8410	BJ42, FJ40	SHAFT, CLUTCH HUB SHIFT		38214-60040-	1	1	80
8302-8410	BJ42, FJ40	ID=31		38184-60041-	1	80		8008-8410	BJ42, FJ40	RING, J (FOR CLUTCH HUB SHIFT SHAFT)		90301-11053-	1	1	80
8008-8302	BJ42, FJ40	ID=41.5		38185-60040-	1	1		8008-8410	BJ42, FJ40	RING, E (FOR CLUTCH HUB SHIFT SHAFT)		96160-01200-	3	1	80
8302-8410	BJ42, FJ40	DD=47.5		38185-60041-	1	80									

PROD. DATE	MODELS	DESCRIPTION	PART NUMBER	QTY	REV. REF. CODE		PROD. DATE	MODELS	DESCRIPTION	PART NUMBER	REV. REF. CODE	
					FROM	UP TO					FROM	UP TO
	42603	ORNAMENT SUB-ASSY. WHEEL HUB						42611A	TIRE TUBE SET OR TUBELESS TIRE			
8008-8110	BJ42.FJ40	RR. FULL FL. COATING. WHITE	42603-60010-	2	1	6	8008-8410	CONTINUED BJ42.FJ40	H78-15. SEMI LUG. X (B)	42652-60040-	4	80
8008-8110	BJ42.FJ40	FR. WHITE		2	1	6	8110-8410	BJ42.FJ40	H79-15. SEMI M	42652-35100-	4	80
8008-8110	BJ42.FJ40	RR. FULL FL. COATING. CHROME	42603-60020-	2	1	6		42611G	VALVE (FOR TUBELESS TIRE)			
8008-8110	BJ42.FJ40	FR. CHROME PLATED		2	1	6	8008-8410	BJ42.FJ40		90942-05009-	4	80
8008-8110	BJ42.FJ40	FR. FREE WHEEL HUB. WHITE	42603-60030-	2	1	6		42621	CAP. WHEEL			
8008-8110	BJ42.FJ40	FR. FREE WHEEL HUB. CHROME	42603-60040-	2	1	6	8008-8410	BJ42.FJ40		42621-60010-	4	80
8008-8110	BJ42.FJ40	RR. SEMI FL. COATING. WHITE	42603-60050-	2	1	6	8008-8410	BJ42.FJ40	FREE WHEEL HUB	42621-6002-	2	80
8008-8110	BJ42.FJ40	RR. SEMI FL. COATING. CHROME	42603-60060-	2	1	6						
8110-8410	BJ42.FJ40	FR. FREE WHEEL HUB. WHITE	42603-35080-	2	7	80						
8110-8410	BJ42.FJ40	FR. FREE WHEEL HUB. CHROME	42603-35090-	2	7	80						
8110-8410	BJ42.FJ40	FR. WHITE	42603-60011-	2	7	80						
8110-8410	BJ42.FJ40	FR. CHROME PLATED	42603-60021-	2	7	80						
8110-8410	BJ42.FJ40	RR. SEMI FL. COATING. WHITE	42603-60051-	2	7	80						
8110-8410	BJ42.FJ40	RR. SEMI FL. COATING. CHROME	42603-60061-	2	7	80						
	42511A	TIRE TUBE SET OR TUBELESS TIRE										
8008-8110	BJ42.FJ40	H78-15. SEMI M	42652-60022- (42652-35100-	4	1							
8008-8410	BJ42.FJ40	H78-15. SEMI LUG. X (D)	42652-60011-	4	1	80						
8008-8410	BJ42.FJ40	H78-15. SEMI LUG. X (Y)	42652-60030-	4	1	80						

• (D) = Dunlop Rubber Company (Japan) Limited  
 • (Y) = The Yokohama Rubber Company Limited

• (B) = Bridgestone Company Limited

FIG. 45-01

## GENUINE TOYOTA PARTS

2-L5

## GENUINE TOYOTA PARTS

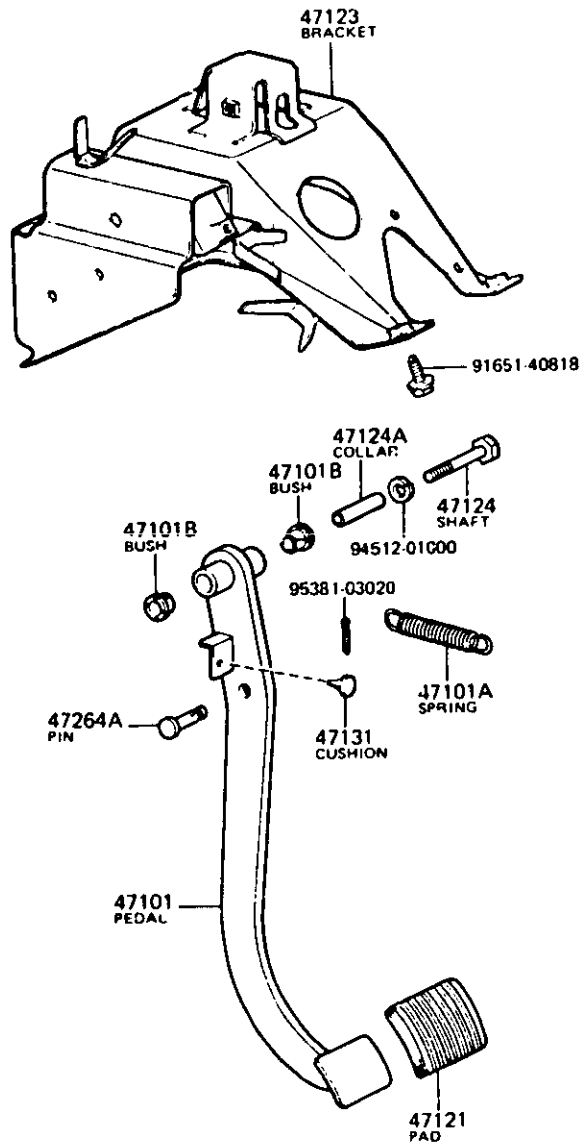
PROD. DATE	MODELS	DESCRIPTION	PART NUMBER	QTY	REV. REF. CODE		PROD. DATE	MODELS	DESCRIPTION	PART NUMBER	QTY	REV. REF. CODE	
					FROM	UP TO						FROM	UP TO
		45351	SHAFT, STEERING SECTOR										
8008-8410	BJ42, FJ40		45351-36720-	1	1	80							
		45351A	NUT, HEXAGON (FOR SECTOR SHAFT TO PITMAN ARM SETTING)										
8008-8410	BJ42, FJ40		90170-22058-	1	1	80							
		45352	WASHER, SECTOR SHAFT THRUST										
8008-8410	BJ42, FJ40	T=2.00	45352-36010-	1	1	80							
8008-8410	BJ42, FJ40	T=2.05	45353-36010-	1	1	80							
8008-8410	BJ42, FJ40	T=2.10	45354-36010-	1	1	80							
8008-8410	BJ42, FJ40	T=2.15	45355-36010-	1	1	80							
8008-8410	BJ42, FJ40	T=2.20	45356-36010-	1	1	80							
		45357	SCREW, SECTOR SHAFT ADJUSTING										
8008-8410	BJ42, FJ40		45357-36020-	1	1	80							
		45372	PLUG (FOR STEERING GEAR BOX)										
8008-8410	BJ42, FJ40		90970-03058-	1	1	80							
		45817	BRACKET SUB-ASSY, STEERING COLUMN										
8008-8410	BJ42, FJ40		45807-60050-	1	1	80							
		45897	BOLT, STEERING LOCK SET										
8210-8410	BJ42, FJ40		45897-12030-	1	19	80							

FIG.47-01 BRAKE PEDAL & BRACKET

2-L6

GENUINE TOYOTA PARTS

(8008- )



MC 7137

PROD. DATE	MODELS	DESCRIPTION	R/P	PART NUMBER	QTY	REV. REF. CODE	
						FROM	UP TO
FIG.	47-01	BRAKE PEDAL & BRACKET					
		47101 PEDAL SUB-ASSY, BRAKE					
8008-8410	BJ42,FJ40			47101-60061-	1		80
		47101A SPRING (FOR BRAKE PEDAL RETURN)					
8008-8410	BJ42,FJ40			90506-1245C	1		80
		47101B BUSH (FOR BRAKE PEDAL)					
8008-8410	BJ42,FJ40			90386-13007-	2		80
		47121 PAD, BRAKE PEDAL					
8008-8410	BJ42,FJ40			51321-36010-	1		80
		47123 BRACKET, BRAKE PEDAL					
8008-8410	BJ42,FJ40			55106-90801-	1		80
		47124 SHAFT, PEDAL					
8008-8410	BJ42,FJ40			91121-51070-	1		80
		47124A COLLAR (FOR PEDAL SHAFT)					
8008-8410	BJ42,FJ40			90387-10004-	1		80
		47131 CUSHION (FOR STOP LAMP SWITCH)					
8008-8410	BJ42,FJ40			90541-06008-	1		80
		47264A PIN (FOR PUSH ROD)					
8008-8410	BJ42,FJ40			90249-10017-	1		80

FIG. 47-08

GENUINE TOYOTA PARTS

2-L7

GENUINE TOYOTA PARTS

PROD. DATE	MODELS	DESCRIPTION	P	PART NUMBER	QTY	REV. REF. CODE		PROD. DATE	MODELS	DESCRIPTION	P	PART NUMBER	QTY	REV. REF. CODE	
						FROM	UP TO							FROM	UP TO
FIG.	47-08 BRAKE TUBE & CLAMP														
	47159	BRACKET, PROPORTIONING VALVE													
8008-8410	BJ42, FJ40			47159-30110-	1	1	80	8008-8309	FJ40			47316-60170-	1	1	80
	47190	VALVE ASSY, PROPORTIONING AND BY-PASS										47316-60160-	1	1	
8310-8410	BJ42			47190-12030-	1		80	8210-8410	BJ42			96940-33405-	1	19	80
8008-8310	BJ42, FJ40			47190-14020-	1	1		8008-8210	BJ42, FJ40			96940-34305-	1	1	18
	47311	TUBE, FRONT BRAKE, NO. 1						8210-8410	FJ40				1	19	80
8008-8410	BJ42, FJ40			47311-30320-	1	1	80								
	47311B	WAY, NO. 1 (FOR FRONT BRAKE TUBE)						8008-8410	BJ42, FJ40			47321-60100-	1	1	80
8008-8410	BJ42			90412-10015-	1	1	80								
8008-8309	FJ40			90414-10009-	1	1		8008-8410	BJ42			90412-10089-	1	1	80
	47311G	HOSE, FLEXIBLE (FOR BRAKE TUBE)													
8008-8410	BJ42			96940-34305-	1	1	80	8008-8410	BJ42			47322-60310-	1	1	80
8008-8309	FJ40			96940-32605-	1	1		8008-8309	FJ40			47322-60250-	1	1	
	47312	TUBE, FRONT BRAKE, NO. 2													
8008-8410	BJ42			47312-60410-	1	1	80	8008-8210	BJ42			47323-60090-	1	1	18
8008-8309	FJ40			47312-60350-	1	1		8210-8410	BJ42			47323-60091-	1	19	80
	47312E	WAY, NO. 2 (FOR FRONT BRAKE TUBE)						8008-8309	FJ40			47323-60050-	1	1	
8008-8410	BJ42			90413-10031-	1	1	80								
8008-8309	FJ40			90413-10042-	1	1		8008-8410	BJ42			90413-10031-	1	1	80
	47313	TUBE, FRONT BRAKE, NO. 3						8008-8309	FJ40			90413-10086-	1	1	
8008-8410	BJ42			47329-60051-	1	1	80								
8008-8309	FJ40			47329-60070-	1	1		8008-8410	BJ42			47325-60040-	1	1	80
	47313A	HOSE, FLEXIBLE (FOR FRONT)						8008-8309	FJ40			47325-60020-	1	1	
8008-8410	BJ42, FJ40			96910-32305-	2	1	80								
	47314	TUBE, FRONT BRAKE, NO. 4						8008-8-10	BJ42			47326-60040-	1	1	80
8008-8410	BJ42			47315-60290-	1	1	80	8008-8309	FJ40			47326-60020-	1	1	
8008-8309	FJ40			47315-60280-	1	1									



L16

## FIGURE NUMBER INDEX

LOCATION	FIG.No.	SUMMARY	LOCATION	FIG.No.	SUMMARY	LOCATION	FIG.No.	SUMMARY
		<b>TOOL GROUP</b>			<b>FUEL GROUP</b>			
1-A1	09-01	STANDARD TOOL	1-K6	21-01	FUEL PIPE & CLAMP	2-C4	41-01	REAR AXLE HOUSING & DIFFERENTIAL
		<b>ENGINE GROUP</b>	1-L6	21-02	CARBURETOR ASSEMBLY	2-H4	41-02	REAR AXLE SHAFT
1-C1	11-01	PARTIAL ENGINE ASSEMBLY	1-M6	21-03	CARBURETOR	2-K4	41-03	WHEEL CAP & WHEEL ASSY
1-D1	11-02	SHORT BLOCK ASSEMBLY	1-E7	22-01	INJECTION NOZZLE	2-M4	43-01	FRONT AXLE HOUSING & DIFFERENTIAL
1-E1	11-03	ENGINE OVERHAUL GASKET KIT	1-G7	22-02	INJECTION PUMP ASSEMBLY	2-C5	43-02	DRIVE SHAFT
1-F1	11-04	CYLINDER HEAD	1-H7	22-03	INJECTION PUMP BODY	2-D5	43-03	FRONT AXLE HUB
1-I1	11-05	CYLINDER BLOCK	1-K7	22-04	PNEUMATIC GOVERNOR	2-F5	45-01	STEERING COLUMN & GEAR HOUSING
1-L1	11-08	TIMING GEAR COVER & REAR END PLATE	1-A8	22-06	FUEL FEED PUMP	2-M5	45-02	VANE PUMP & RESERVOIR
1-B2	11-07	MOUNTING	1-C8	22-07	AUTOMATIC TIMER	2-C6	45-03	OIL COOLER & TUBE
1-D2	12-01	VENTILATION HOSE	1-D8	23-01	FUEL PUMP	2-F6	45-04	STEERING WHEEL
1-F2	13-01	CRANKSHAFT & PISTON	1-E8	23-02	FUEL FILTER	2-G6	45-05	STEERING LINK
1-J2	13-02	CAMSHAFT & VALVE	1-H8	25-01	EXHAUST GAS RECIRCULATION SYSTEM	2-J6	45-01	PARKING BRAKE & CABLE
1-A3	15-01	OIL PUMP	1-J8	26-06	VENTURI	2-L6	47-01	BRAKE PEDAL & BRACKET
1-D3	15-02	OIL FILTER			<b>POWER TRAIN-CHASSIS GROUP</b>	2-M6	47-02	BRAKE MASTER CYLINDER
1-F3	15-03	OIL COOLER	2-A1	31-01	CLUTCH & RELEASE FORK	2-B7	47-03	BRAKE BOOSTER
1-H3	16-01	WATER PUMP	2-C1	31-02	CLUTCH PEDAL & FLEXIBLE HOSE	2-E7	47-05	FRONT DISC BRAKE CALIPER & DUST COVER
1-K3	16-03	RADIATOR & WATER OUTLET	2-E1	31-03	CLUTCH MASTER CYLINDER	2-G7	47-06	REAR BACKING PLATE & WHEEL CYLINDER
1-C4	17-01	MANIFOLD	2-F1	31-05	CLUTCH RELEASE CYLINDER	2-J7	47-06	BRAKE TUBE & CLAMP
1-G4	17-02	EXHAUST PIPE	2-H1	33-01	TRANSAXLE OR TRANSMISSION ASSY & GASKET KIT (MTM)	2-A8	48-02	FRONT AXLE ARM & STEERING KNUCKLE
1-J4	17-03	AIR CLEANER	2-J1	33-02	CLUTCH HOUSING & TRANSMISSION CASE (MTM)	2-C8	48-03	FRONT SPRING & SHOCK ABSORBER
1-M4	17-05	AIR PUMP	2-L1	33-04	SPEEDOMETER DRIVEN GEAR (MTM)	2-F8	48-04	REAR SPRING & SHOCK ABSORBER
1-B5	17-06	MANIFOLD AIR INJECTION SYSTEM	2-M1	33-05	TRANSMISSION GEAR (MTM)			
1-D5	17-08	VACUUM PIPING	2-E2	33-07	GEAR SHIFT FORK & LEVER SHAFT (MTM)			
1-H5	17-09	CAUTION PLATE & NAME PLATE	2-I1	33-12	SHIFT LEVER & RETAINER			
1-I5	18-01	IGNITION COIL & SPARK PLUG	2-K1	36-08	TRANSFER ASSY & GASKET KIT			
1-K5	18-02	DISTRIBUTOR	2-L2	36-09	TRANSFER CASE & EXTENSION HOUSING			
1-A6	18-03	ALTERNATOR	2-A3	38-10	TRANSFER GEAR			
1-E6	18-04	STARTER	2-D3	38-11	TRANSFER LEVER & SHIFT ROD			
1-I6	18-05	VACUUM PUMP	2-F3	38-11	PROPELLER SHAFT & UNIVERSAL JOINT			
			2-H3	38-11	WINCH KIT			
			2-I3	38-01	WINCH			

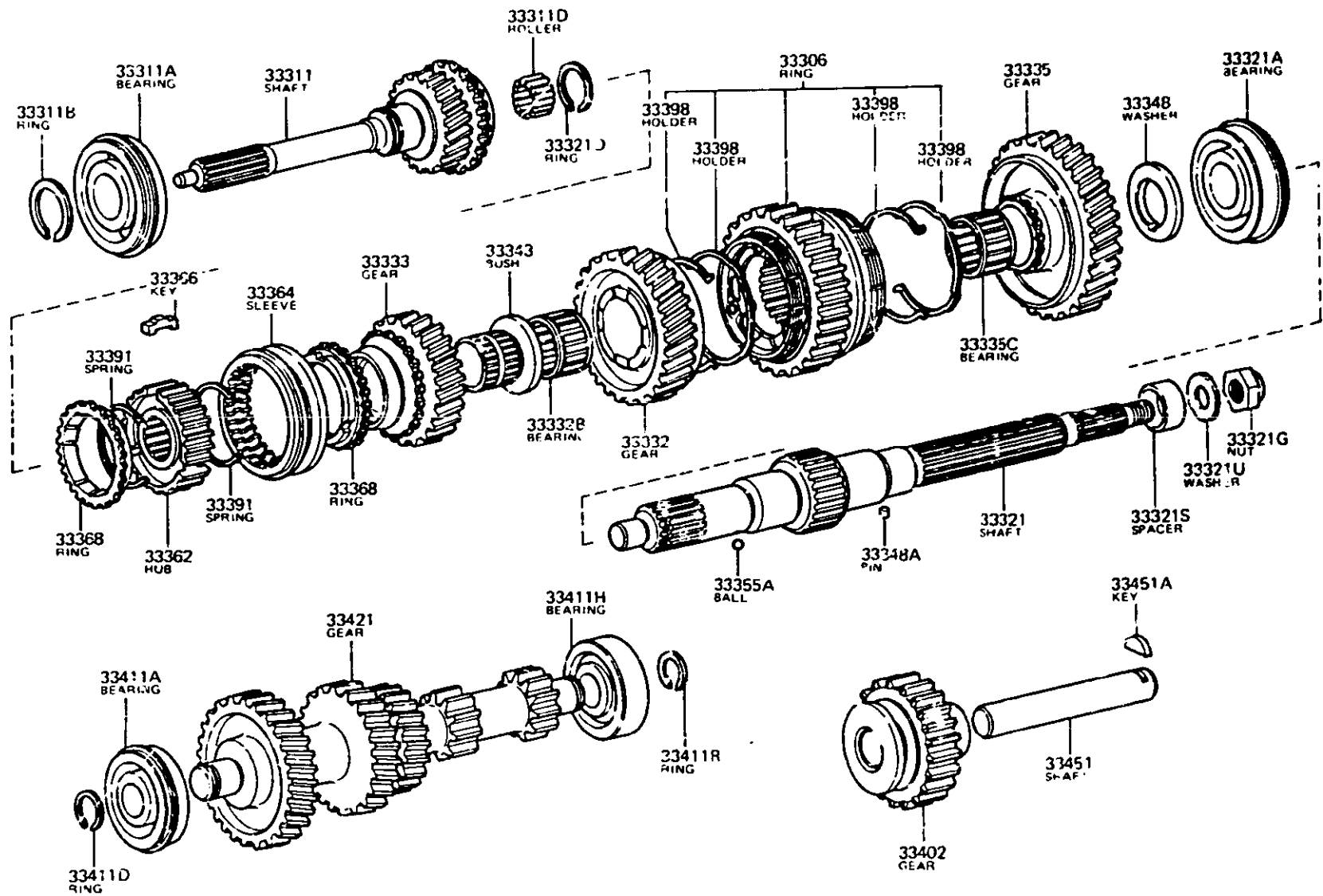
LAND CRUISER (U. S. A.)



FIG.33-05 TRANSMISSION GEAR (MTM)

2-M1

(8008-8309)4F



MC 7096-B

FIG. 36-05

## GENUINE TOYOTA PARTS

2-M2

## GENUINE TOYOTA PARTS

PROD. DATE	MODELS	DESCRIPTION	PART NUMBER	QTY	REV. REF. CODE		PROD. DATE	MODELS	DESCRIPTION	PART NUMBER	QTY	REV. REF. CODE	
					FROM	UP TO						FROM	UP TO
	36111F	PLUG (FOR TRANSFER CASE)						36134A	SEAL, OIL (FOR OUTPUT SHAFT BEARING FRONT RETAINER)				
8008-8305	BJ42, FJ40	FILLER PLUG	90341-18002-	1	1		8078-8410	BJ42, FJ40		90311-48002-	1	1	80
8008-8410	BJ42, FJ40	DRAIN PLUG	90341-18057-	1	1	80		36142	GASKET, TRANSFER COVER				
3305-8410	BJ42, FJ40	FILLER PLUG	90341-18006-	1		80	8008-8410	BJ42, FJ40		36142-60030-	1	1	80
	36111G	PIN, STRAIGHT (FOR TRANSFER CASE)						36143	GASKET, TRANSFER CASE FRONT				
8008-8410	BJ42, FJ40		90250-10006-	2	1	80	8210-8410	BJ42		33142-60030-	1	19	80
	36111H	PLUG, BREATHER (FOR TRANSFER CASE)					8008-8309	BJ42, FJ40, 4F		33142-60020-		1	
8008-8410	BJ42, FJ40		90930-03075-	1	1	80		36144	GASKET, TRANSFER POWER TAKE-OFF COVER				
	36111Q	PIPE, OIL RECEIVER					8008-8410	BJ42, FJ40		36144-60020-	1	1	80
8210-8410	BJ42		33124-36010-	1	19	80		361	GASKET, TRANSFER CASE				
	36119	RECEIVER, TRANSFER OIL, NO. 1					8008-8410	BJ42, FJ40		36143-60020-	1	1	80
8008-8410	BJ42, FJ40		36119-60010-	1	1	80		36152	GASKET, OUTPUT SHAFT BEARING RETAINER				
	36122	COVER, TRANSFER CASE, NO. 2					8008-8410	BJ42, FJ40		36152-60030-	1	1	80
8008-8410	BJ42, FJ40		36122-60040-	1	1	80							
	36124	COVER, TRANSFER POWER TAKE-OFF											
8008-8410	BJ42, FJ40		36124-60020-	1	1	80							
	36128	DEFLECTOR, BREATHER OIL											
8008-8210	BJ42, FJ40		36128-60020- (36128-60021-	1	1	78							
8210-8410	BJ42, FJ40		36128-60021-	1	19	80							
	36132	RETAINER, OUTPUT SHAFT BEARING, REAR NO. 1											
8008-8410	BJ42, FJ40		36132-60020-			80							
	36132A	SEAL, OIL (FOR OUTPUT SHAFT RETAINER)											
8008-8410	BJ42, FJ40		90311-48003-	1	1	80							
	36134	RETAINER, OUTPUT SHAFT BEARING, FRONT											
8008-8410	BJ42, FJ40		36134-60020-			80							

FIG. 38-02

## GENUINE TOYOTA PARTS

2-M3

GENUINE TOYOTA PARTS

PROD. DATE	MODELS	DESCRIPTION	PART NUMBER	QTY	REV. REF. CODE		PROD. DATE	MODELS	DESCRIPTION	PART NUMBER	QTY	REV. REF. CODE	
					FROM	UP TO						FROM	UP TO
	38216	CLUTCH, 1 WAY						38256	BEARING, GEAR THRUST				
8008-8302	BJ42, FJ40	OD=44.425	38216-60040-	1	1		8008-8410	BJ42, FJ40		38256-60040-	1	1	80
8302-8410	BJ42, FJ40	OD=53.180	38216-60041-	1		80		38237	RACE, GEAR THRUST BEARING				
	38217	DISC, CLUTCH OUTER					8008-8410	BJ42, FJ40		38237-60040-	2	1	80
8008-8410	BJ42, FJ40		38217-60040-	4	1	80		36302	ROLLER SUB-ASSY, WINCH WIRE GUIDE				
	38218	SPACER, CLUTCH DISC					4008-8303	BJ42, FJ40		36302-60010-	2	1	
8008-8410	BJ42, FJ40		38218-60040-	1	1	80	8303-8410	BJ42, FJ40		38323-60040-	2		80
	38221	LEVER, CLUTCH HUB SHIFT						38314	MEMBER, REAR BAJE				
8008-8410	BJ42, FJ40		38221-60040-	1	1	80	8008-8410	BJ42, FJ40		38314-60010-	1	1	80
	38221A	BUSH (FOR CLUTCH HUB SHIFT LEVER)						38321	SHAFT, WINCH ROLLER				
8008-8410	BJ42, FJ40		90336-10121- (90386-10015-	2	1	80	8008-8410	BJ42, FJ40		38321-60010-	2	1	80
	38223	SHAFT, CLUTCH SHIFT LEVER						38322	SHAFT, WINCH ROLLER, NO.2				
8008-8410	BJ42, FJ40		38223-60040-	1	1	80	8008-8303	BJ42, FJ40		38322-60040-	2	1	
	38225	KNOB, WINCH CLUTCH LEVER					8303-8410	BJ42, FJ40		90101-12029-	2		80
8008-8410	BJ42, FJ40		38225-60040-	1	1	80		38324	ROLLER, WINCH WIRE GUIDE, NO.2				
	38226B	PIN, CLUTCH SHIFT LEVER LOCK					8008-8410	BJ42, FJ40		38324-60040-	2	1	80
8008-8410	BJ42, FJ40		38226-60040-	1	1	80		38325	BRACKET, WINCH ROLLER, NO.1				
	38228	SUPPORT, CLUTCH SHIFT LEVER					8008-8410	BJ42, FJ40		38325-60040-	1	1	80
8008-8410	BJ42, FJ40		38228-60040-	1	1	80		38329	SPACER, WINCH WIRE GUIDE ROLLER				
	38229	PIN, CLUTCH SHIFT LEVER					8008-8410	BJ42, FJ40		38329-60040-	2	1	80
8008-8410	BJ42, FJ40		38229-60040-	1	1	80		38333	SPACER, MEMBER, NO.1				
	38232	SHAFT, WINCH BRAKE					8008-8410	BJ42, FJ40		38333-60010-	2	1	80
8008-8410	BJ40		38232-60040-	1	1			38334A	SPACER, REAR MEMBER				
8302-8410	BJ42, FJ40		38232-60041-	1		80	8008-8410	BJ42, FJ40		38334-60040-	4	1	80
	38234	GEAR, BRAKE SHAFT DRIVE						38335	SPACER, MEMBER, NO.2				
8008-8410	BJ42, FJ40		38234-60040-	1	1	80	8008-8410	BJ42, FJ40		38334-60010-	2	1	80

FIG. 43-01 FRONT AXLE HOUSING &

DIFFERENTIAL

2-M4

(8008- )

(8008- )

ILLUST.NO. 10F2

ILLUST.NO. 20F2

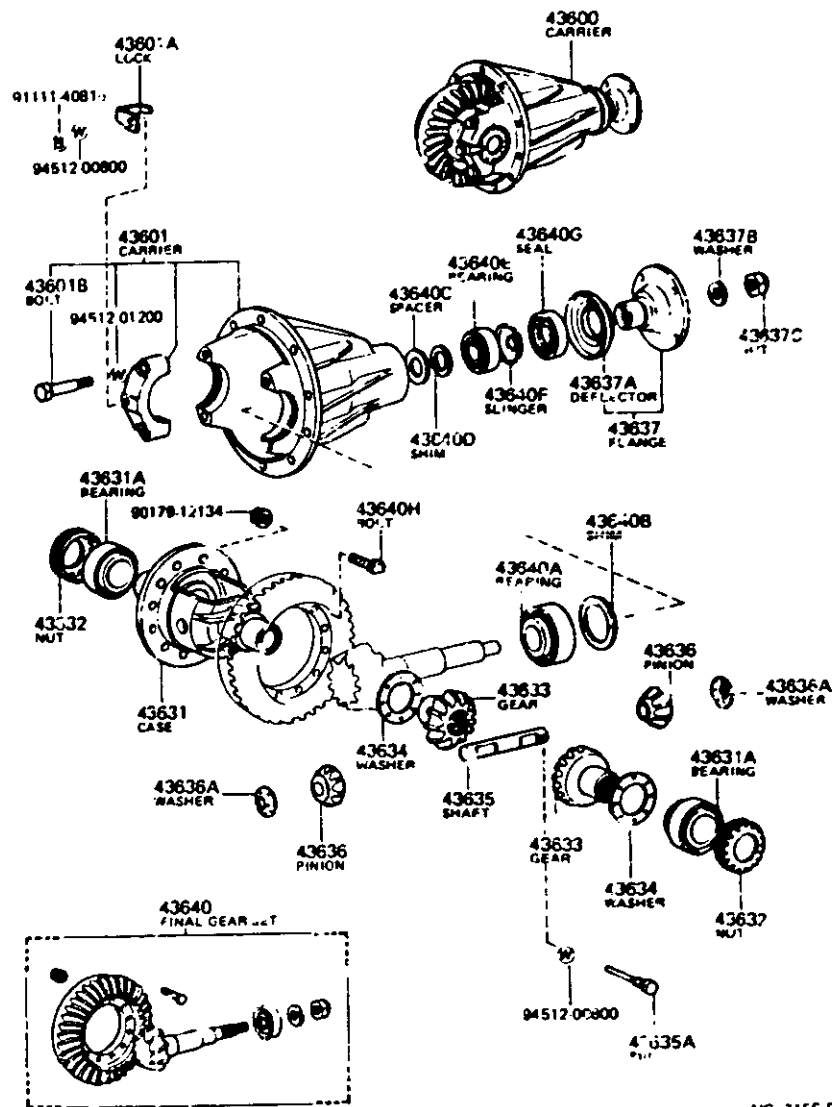
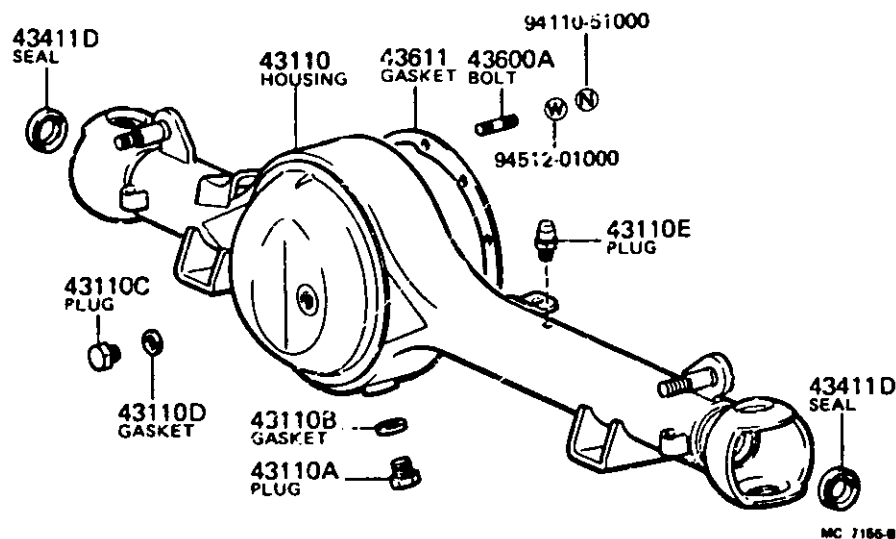
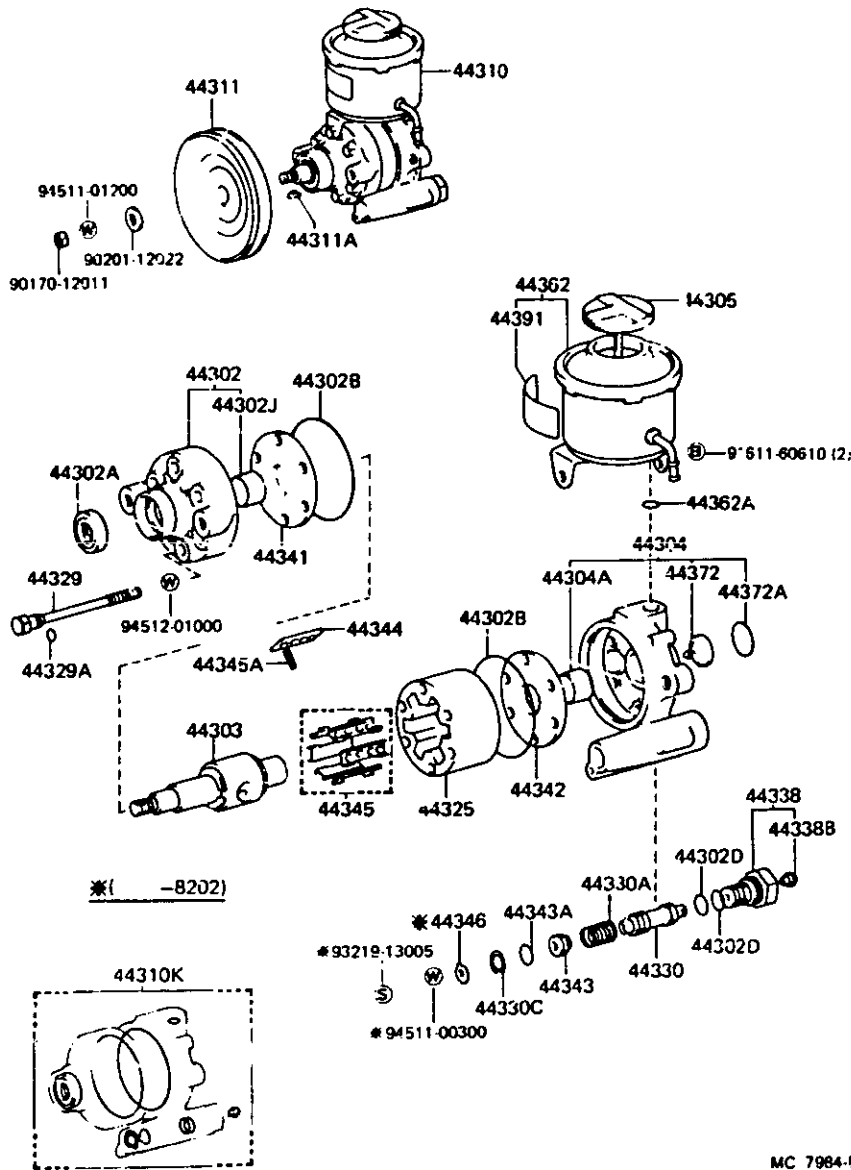


FIG.45-02 VANE PUMP & RESERVOIR

2-M5

GENUINE TOYOTA PARTS

(8008-8210)FJ40; (8210- )BJ42,FJ40



PROO. DATE	MODELS	DESCRIPTION	PART NUMBER	QTY	REV. REF. CODE	
					FROM	UP TO
FIG.	45-02 VANE PUMP & RESERVOIR					
8210-8410	BJ42,FJ40	HOUSING SUB-ASSY, PUMP	44302-30020-	1	19	80
8008-8210	FJ40			1	1	18
8210-8410	BJ42,FJ40	SEAL, TYPE S OIL (FOR PUMP HOUSING)	90310-21034-	1	19	80
8008-8210	FJ40			1	1	18
8210-8410	BJ42,FJ40	RING, O (FOR PUMP HOUSING)	90301-69170-	2	19	80
8008-8210	FJ40			2	1	18
8210-8410	BJ42,FJ40	RING, O (FOR PUMP HOUSING)	96711-19014-	2	19	80
8008-8112	FJ40		96710-01014-	2	1	
8112-8210	FJ40		96711-19014-	2		18
8210-8410	BJ42,FJ40	BUSH, BIMETAL FORMED (FOR PUMP HOUSING)	90384-22110-	1	19	80
8008-8210	FJ40			1	1	18
8210-8410	BJ42,FJ40	SHAFT SUB-ASSY, W/ROTOR	L=39.9750-39.9775 44303-22011-	1	19	80
8210-8410	BJ42,FJ40		L=39.9725-39.9750 44303-22021-	1	19	80
8008-8210	FJ40		L=39.9750-39.9775 44303-22011-	1	1	18
8008-8210	FJ40		L=39.9725-39.9750 44303-22021-	1	1	18
8210-8410	BJ42,FJ40	HOUSING SUB-ASSY, PUMP, REAR	44304-30022-	1	19	80
8008-8210	FJ40			1	1	18
8210-8410	BJ42,FJ40	BUSH, BIMETAL FORMED (FOR PUMP HOUSING REAR)	90384-22109-	1	19	80

MC 7984-E

MC 7984-E

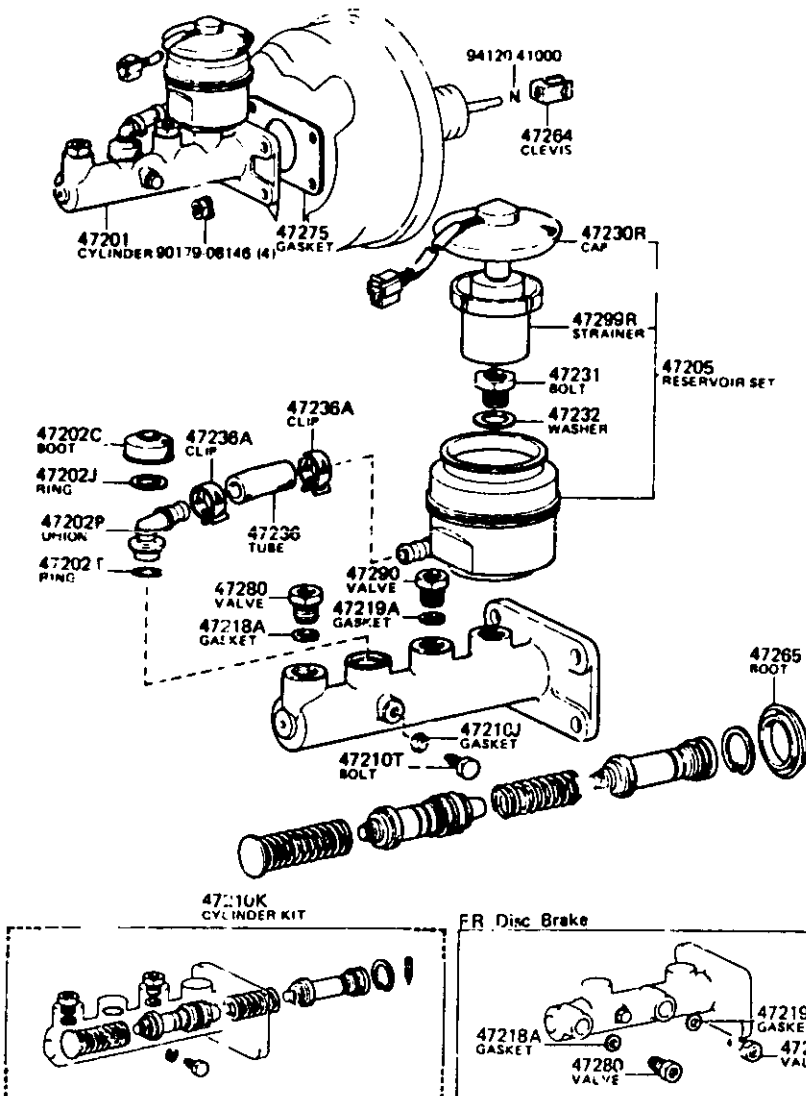
04-13-808

FIG. 47-02 BRAKE MASTER CYLINDER

2-M6

GENUINE TOYOTA PARTS

(8008-



PROO. DATE	MODELS	DESCRIPTION	P /	PART NUMBER	QTY	REV. REF. CODE	
						FROM	UP TO
	FIG. 47-02 BRAKE MASTER CYLINDER						
	47201	CYLINDER SUB-ASSY, BRAKE MASTER					
8008-8410	BJ42, FJ40			47201-60130-	1		80
	47202C	BOOT, RESERVOIR, NO. 1 (FOR BRAKE MASTER CYLINDER SIDE)					
8008-8410	BJ42, FJ40			47265-20060-	1	1	80
	47202J	RING, SNAP (FOR BRAKE MASTER CYLINDER SIDE)					
8008-8410	BJ42, FJ40			96151-02000-	1	1	80
	47202P	UNION, RESERVOIR, NO. 1 (FOR BRAKE MASTER CYLINDER SIDE)					
8008-8410	BJ42, FJ40			90407-10003-	1	1	80
	47202T	RING (FOR BRAKE MASTER CYLINDER RESERVOIR, NO. 1)					
8008-8410	BJ42, FJ40			90301-14001-	1	1	80
	47205	RESERVOIR SET, BRAKE MASTER CYLINDER, NO. 2 (FOR REAR SIDE)					
8008-8410	BJ42, FJ40			47202-60040-	1	1	80
	47210J	GASKET (FOR MASTER CYLINDER)					
8008-8410	BJ42, FJ40			90430-06104-	1	1	80
	47210K	CYLINDER KIT, BRAKE MASTER					
8008-8410	BJ42, FJ40			04493-60070-	1	1	80
	47210T	BOLT (FOR BRAKE MASTER CYLINDER)					
8008-8410	BJ42, FJ40			0109-06004-	1		80
	47218A	GASKET (FOR FLUID OUTLET PLUG)					
8008-8410	BJ42, FJ40			90430-09253-	1	1	80
	47219A	GASKET (FOR FLUID OUTLET PLUG REAR SIDE)					
8008-8410	BJ42, FJ40			90430-09253-	1	1	07
	47230R	CAP ASSY, RESERVOIR, NO. 2 (FOR REAR SIDE)					
8008-8410	BJ42, FJ40			84450-22010-	1		80

FIG. 47-08

GENUINE TOYOTA PARTS

2-M7

GENUINE TOYOTA PARTS

PROD. DATE	MODELS	DESCRIPTION	P P	PART NUMBER	QTY	REV. REF. CODE		PROD. DATE	MODELS	DESCRIPTION	P P	PART NUMBER	QTY	REV. REF. CODE	
						FROM	UP TO							FROM	UP TO
	↔ 47341B ↔	TUBE, WHEEL CYLINDER, FRONT RH NO.1													
8408-8410	BJ42			47341-60031-	1		80								
8008-8408	BJ42, FJ40			47341-60030- (47341-60031-)	1	1									
	↔ 47343A ↔	TUBE, WHEEL CYLINDER, FRONT LH NO.1													
8408-8410	BJ42			47343-60021-	1		80								
8008-8408	BJ42, FJ40			47343-60020- (47343-60021-	1	1									
	↔ 47353 ↔	BRACKET, FLEXIBLE HOSE (FOR REAR)													
8008-8210	BJ42			47351-60091-	1	1	18								
8210-8410	BJ42			47355-60040-	1	19	80								
8008-8309	FJ40			47351-60080-	1	1									
	↔ 47354 ↔	BRACKET, FRONT FLEXIBLE HOSE													
8008-8410	BJ42			47354-60010-	1	1	80								
8008-8309	FJ40			47354-60020-	1	1									
	↔ 47361 ↔	CLAMP, TUBE													
8008-8410	BJ42			47361-60071-	1	1	80								
	↔ 47378 ↔	PROTECTOR, BRAKE TUBE													
8008-8309	FJ40	W/O COOLER		47378-60010-	1	1									
8008-8309	FJ40	W/COOLER		47378-60030-	1	1									

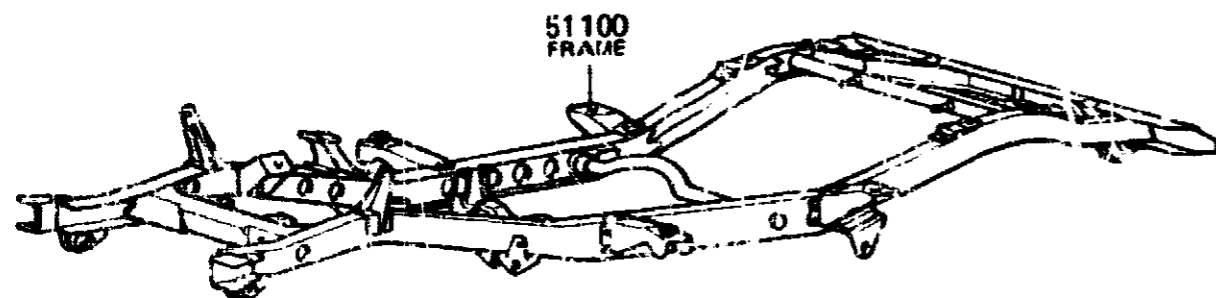


## FIGURE NUMBER INDEX

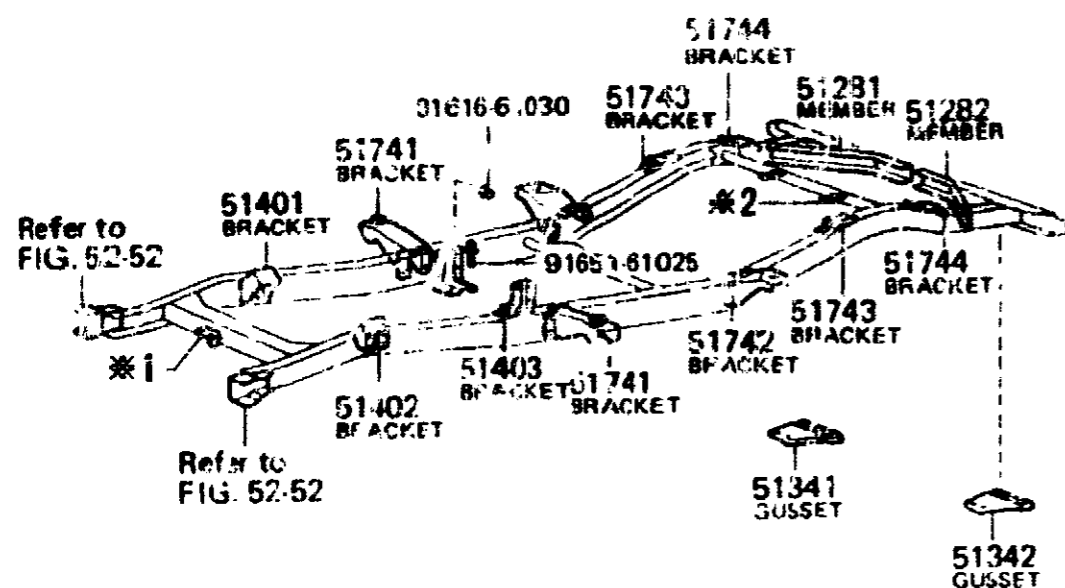
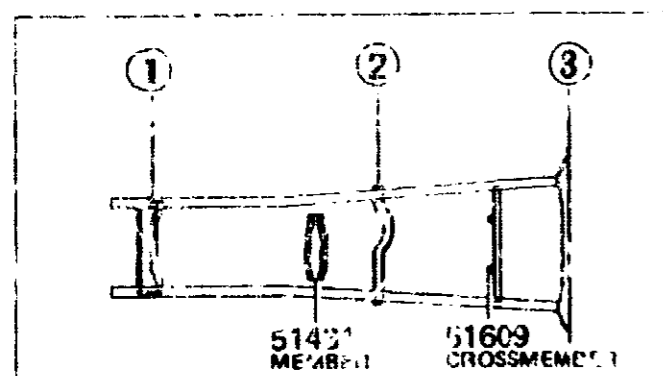
LOCATION	FIG.No.	SUMMARY	LOCATION	FIG.No.	SUMMARY	LOCATION	FIG.No.	SUMMARY
		<b>BODY GROUP</b>						<b>ELECTRICAL GROUP</b>
3-D1	51-51	FRAME	3-B5	71-51	SEAT & SEAT TRACK	3-K6	81-01	HEADLAMP
3-C1	51-52	SUSPENSION CROSSMEMBER & UNDER COVER	3-E5	71-52	SEAT BELT	3-L6	81-03	FRONT TURN SIGNAL LAMP
3-D1	51-53	SPARE WHEEL CARRIER	3-F5	74-51	ARMREST & VISOR	3-M6	81-11	REAR COMBINATION LAMP
3-F1	52-51	CAB MOUNTING & BODY MOUNTING	3-G5	74-53	PROTECTOR PIPE, ROLL BAR & HANDRAIL	3-B7	81-13	REAR LICENSE PLATE LAMP
3-H1	52-52	FRONT BUMPER & BUMPER STAY	3-H5	74-54	BATTERY CARRIER	3-C7	81-14	REAR SIDE MARKER LAMP
3-I1	52-53	REAR BUMPER & BUMPER STAY	3-I5	74-55	CAUTION PLATE	3-D7	81-15	REFLEX REFLECTOR
3-J1	53-51	RADIATOR GRILLE	3-J5	74-56	ASH RECEPTACLE	3-E7	81-21	INTERIOR LAMP
3-K1	53-53	HOOD & FRONT FENDER	3-K5	75-51	EMBLEM & NAME PLATE	3-F7	82-01	BATTERY & BATTERY CABLE
3-M1	53-54	HOOD LOCK & HINGE	3-M5	75-54	TOOL BOX & LICENSE PLATE BRACKET	3-H7	82-02	WIRING & CLAMP
3-A2	54-55	FRONT FENDER APRON & DASH PANEL	3-A6	77-51	FUEL TANK & TUBE	3-M7	83-01	METER
3-C2	55-51	INSTRUMENT PANEL & GLOVE COMPARTMENT	3-H6	78-51	ACCELERATOR LINK	3-B8	83-02	INDICATOR
3-F2	55-52	FRONT VENTILATOR				3-D8	84-01	SWITCH & RELAY
3-G2	55-53	COWL PANEL & WINDSHIELD GLASS				3-I8	84-05	ELECTRONIC DIESEL INJECTION CONTROL SYSTEM
3-I2	58-51	FRONT FLOOR PANEL & FRONT FLOOR MEMBER				3-J8	85-01	WINDSHIELD WIPER
3-K2	58-52	REAR FLOOR PANEL & REAR FLOOR MEMBER				3-L8	85-03	WINDSHIELD WIPER
3-L2	58-53	FLOOR INSULATOR				3-B9	86-01	RADIO & TAPE PLAYER
3-M2	58-54	FLOOR MAT & SILENCER PAD				3-D9	86-02	SPEAKER
3-A3	58-55	CONSOLE BOX & BRACKET				3-E9	86-04	ANTENNA
3-B3	61-51	SIDE MEMBER				3-F9	86-11	HORN
3-E3	61-52	SIDE WINDOW				3-G9	87-31	MIRROR
3-G3	61-53	ROOF PANEL & BACK PANEL				3-H9	87-11	HEATING & AIR CONDITIONING - SET
3-H3	61-55	REAR VENTILATOR & ROOF VENTILATOR				3-J9	87-12	HEATING & AIR CONDITIONING - HEATER UNIT & BLOWER
3-I3	64-52	ROOF HEADLINING & SILENCER PAD				3-L9	87-14	HEATING & AIR CONDITIONING - COOLER UNIT
3-J3	66-55	REAR BODY TOP CURTAIN & ROOF PANEL				3-A10	87-15	HEATING & AIR CONDITIONING - CONTROL & AIR DUCT
3-L3	67-51	FRONT DOOR PANEL & GLASS				3-B10	87-16	HEATING & AIR CONDITIONING - WATER PIPING
3-A4	67-52	FRONT DOOR VENTILATOR WINDOW				3-E10	87-17	HEATING & AIR CONDITIONING - VACUUM PIPING
3-G4	67-53	FRONT DOOR LOCK & HANDLE				3-F10	87-18	HEATING & AIR CONDITIONING - COOLER PIPING
3-E4	67-54	FRONT DOOR WINDOW REGULATOR & HINGE				3-H10	87-19	HEATING & AIR CONDITIONING - COMPRESSOR
3-G4	67-51	BACK DOOR PANEL & GLASS						
3-I4	67-52	BACK DOOR LOCK & HINGE						
3-L4	67-55	LOCK CYLINDER SET						

LAND CRUISER (U.S.A)

(6008-- )



PART NAME CODE & PART NAME	PART NAME CODE & PART NAME	PART NAME CODE & PART NAME
① 51202 CROSSMEMBER (NO.1)	② 51203 CROSSMEMBER (NO.2)	③ 51204 CROSSMEMBER (NO.3)

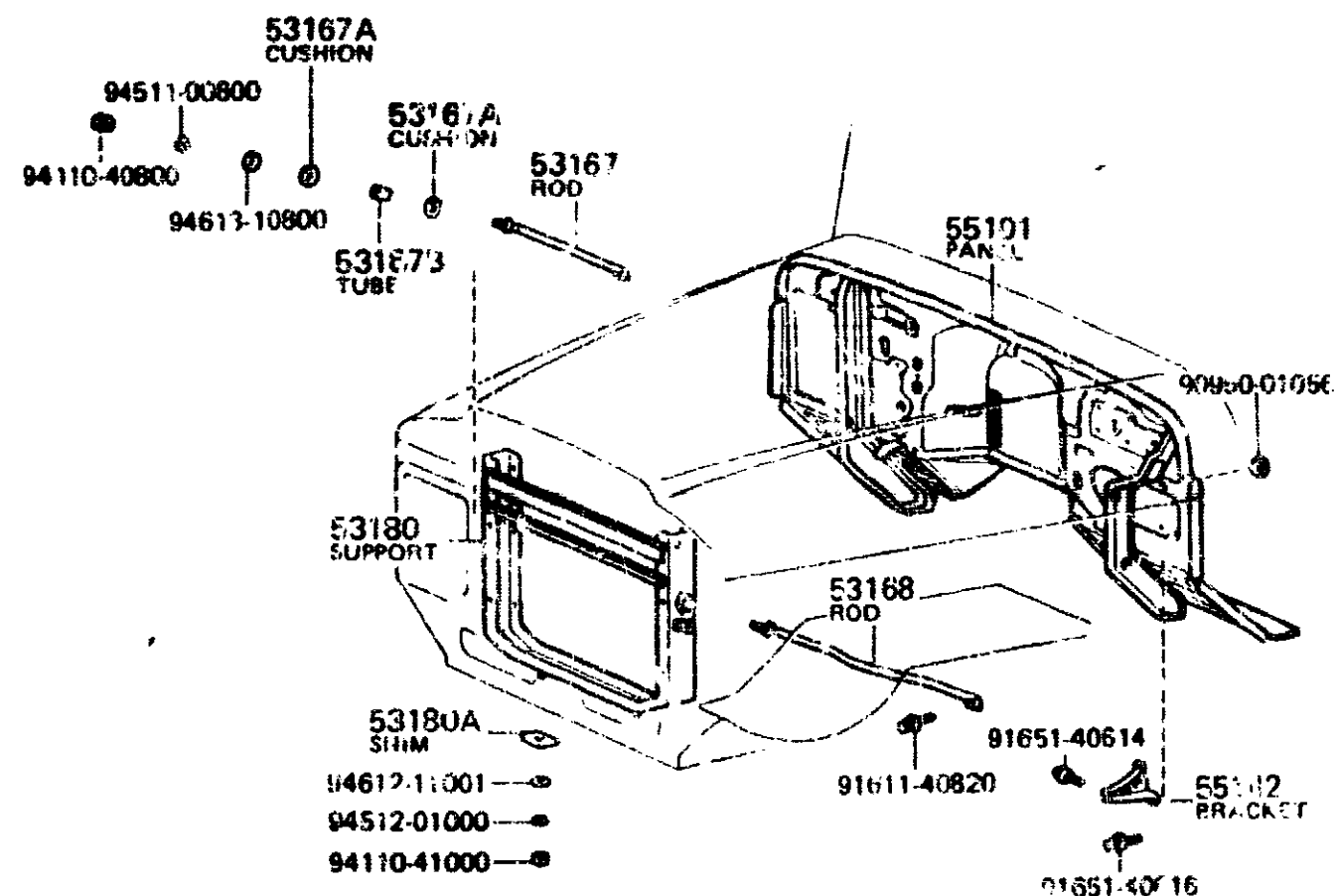


\*1 Refer to FIG. 45-05  
\*2 Refer to FIG. 48-04

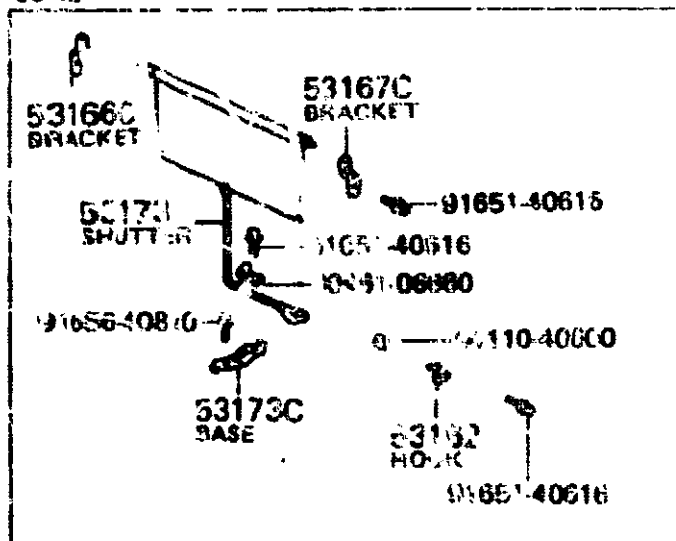
MB504

PROJ. DATE	MODELS	DESCRIPTION	P/R	PART NUMBE.	QTY	REV. EF. CODE	
						FROM	UP TO
	51-51 FRAME						
	51100 FRAME						
8008-8210	BJ42			51001-60274-	1	1	18
8210-8410	BJ42			51001-60275-	1	19	80
8008-8210	FJ40			51001-60770-	1	1	18
8210-8309	FJ40			51001-60771-	1	19	
	51202 CROSSMEMBER SUB-ASSY, FRAME, NO.1						
8008-8310	BJ42			51201-60071-	1	1	56
8310-8410	BJ42			51201-60072-	1	57	80
8008-8309	FJ40			51201-60014-	1	1	
	51203 CROSSMEMBER SUB-ASSY, FRAME, NO.2						
8008-8210	BJ42, FJ40			51202-60042-	1	1	18
8210-8410	BJ42, FJ40			51202-60043-	1	19	80
	51204 CROSSMEMBER SUB-ASSY, FRAME, NO.3						
8008-8/10	BJ42, FJ40			51209-60031-	1	1	80
	51281 MEMBER, REAR DIAGONAL, RH						
8008-8410	BJ42, FJ40			51281-60023-	1	1	80
	51282 MEMBER, REAR DIAGONAL, LH						
8008-8410	BJ42, FJ40			51282-60013-	1	1	80
	51341 GUSSET, FRAME NO.4 CROSSMEMBER, RH						
8008-8410	BJ42, FJ40			51308-60012-	1	1	80
	51342 GUSSET, FRAME NO.4 CROSSMEMBER, LH						
8008-8410	BJ42, FJ40			51309-60012-	1	1	80
	51401 BRACKET SUB-ASSY, ENGINE FRONT MOUNTING, RH						
8008-8410	BJ42			51421-60070-	1	1	80
8008-8309	FJ40			51421-60012-	1	1	
	51402 BRACKET SUB-ASSY, ENGINE FRONT MOUNTING, LH						
8008-8410	BJ42			51422-60130-	1	1	80

( 8008- )



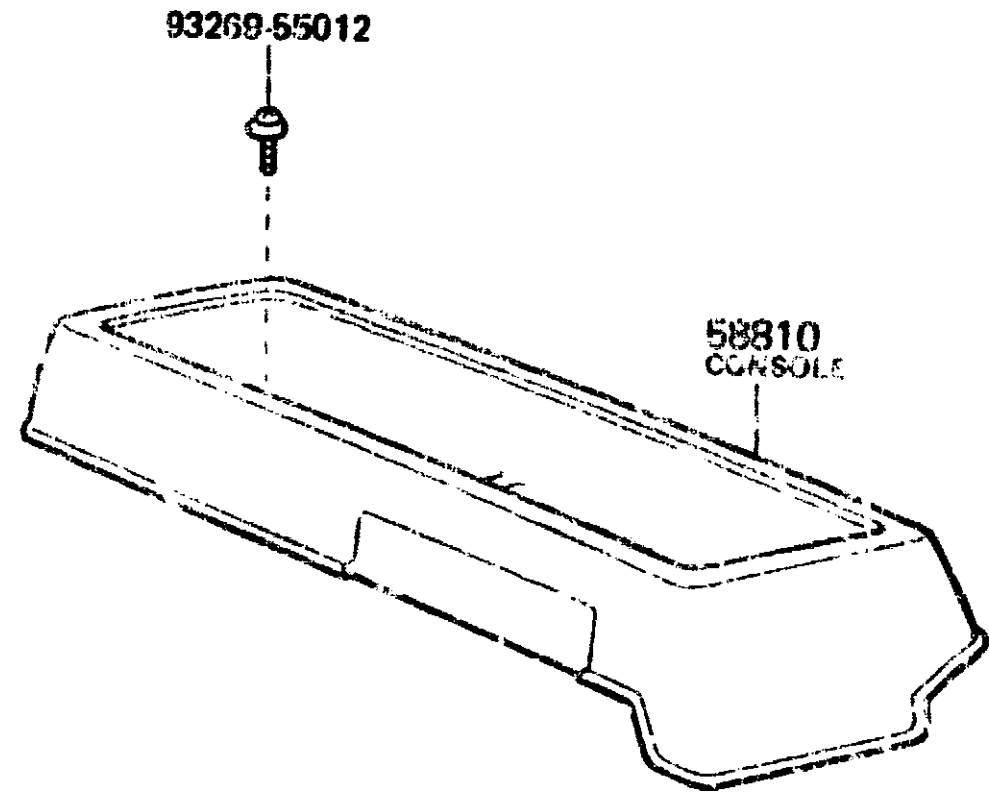
BJ42



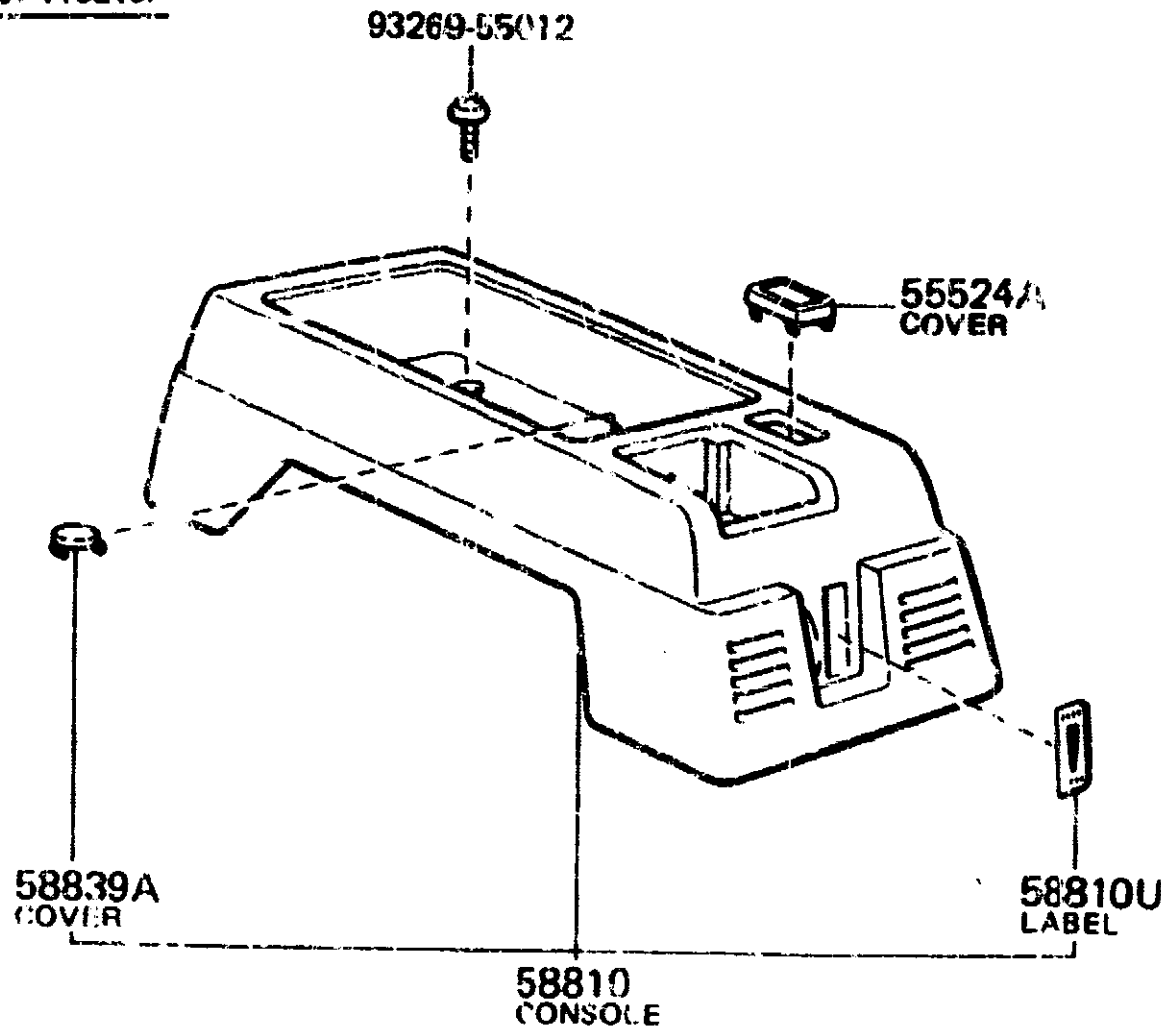
MB E522-C

PROD. DATE	MODELS	DESCRIPTION	R/P	PART NUMBER	QTY	REV. REF. CODE	
						FROM	UP TO
FIG.	53 55 FRONT FENDER APRON & DASH PANEL						
8008-8410	BJ42	53162 HOOK, RADIATOR SHUTTER		53162-90500-	1	1	80
8008-8410	BJ42	53166C BRACKET, RADIATOR SHUTTER SUPPORT, RH		53166-90301-	1	1	80
8008-8410	BJ42	53167 ROD, RADIATOR BRACE, RH		53167-60030-	1	1	80
8008-8309	FJ40	53016-60011-		53016-60011-	1	1	
8008-8309	FJ40..V..USA	W/COOLER		53016-60050-	1	1	
8008-8410	BJ42, FJ40	53167A CUSHION (FOR RADIATOR BRACE ROD)		90540-10022-	4	1	80
8008-8410	BJ42, FJ40	53167B TUBE (FOR RADIATOR BRACE ROD)		90440-11043-	2	1	80
8008-8410	BJ42	53167C BRACKET, RADIATOR SHUTTER SUPPORT, LH		53167-90301-	1	1	80
8008-8410	BJ42	53168 ROD, RADIATOR BRACE, LH		53169-60020-	1	1	80
8008-8309	FJ40	53018-60012-		53018-60012-	1	1	
8008-8309	FJ40..V..USA	W/COOLER		53018-60030-	1	1	
8008-8410	BJ42	53173 SHUTTER SUB-ASSY, RADIATOR WIND		53180-90300-	1	1	80
8008-8410	BJ42	53173C BASE, RADIATOR SHUTTER CONTROL WIRE CLAMP		53168-90301	1	1	80
8008-8410	BJ42	53180 SUPPORT ASSY, RADIATOR		53201-60011 (53201-60012-	1	1	80
9110-8410	BJ42	53201-60012-		53201-60012-	1	7	80
8008-8309	FJ40	53201-60021-		53201-60021-	1	1	

(8008- )



W/Rear Heater



MB 8537B

PROD. DATE	MODELS	DESCRIPTION	PART NUMBER	QTY	REV. REF. CODE	
					FROM	UP TO
FIG.	58-55 CONSOLE BOX & BRACKET					
		5524A COVER, SWITCH BASE HOLE				
8008-8410	BJ42, FJ40	W/RR HEATER	5524-90A00-	1	1	80
		58810 CONSOLE ASSY				
8008-8410	BJ42, FJ40	W/RR H.	58811-90800-	1	1	80
6008-8307	FJ40, USA		58951-90300-	1	1	
		58810U LABEL, HEATER WARM CONTROL INDICATOR				
8008-8410	BJ42, FJ40, CND	W/RR HEATER	58829-90800-	1	1	80
		58839A COVER, CONSOLE BOX HOLE				
8008-8410	BJ42, FJ40, CND	W/RR HEATER	58839-90800- (58839-90800-03)	1	1	80

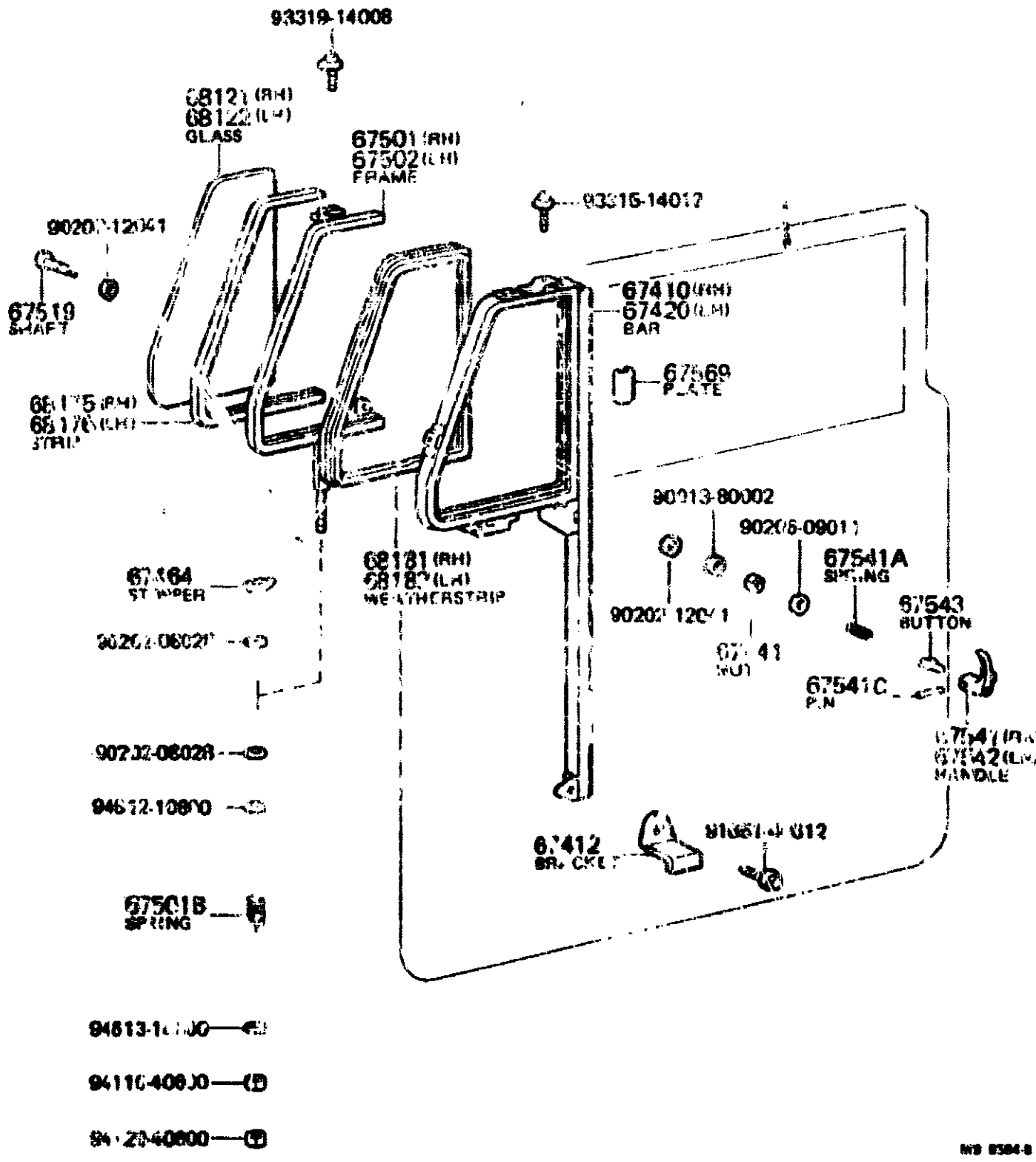
FIG. 67-52 FRONT DOOR VENTILATOR WINDOW

3-A4

GENUINE TOYOTA PARTS

(8008- )

W/Steel Door

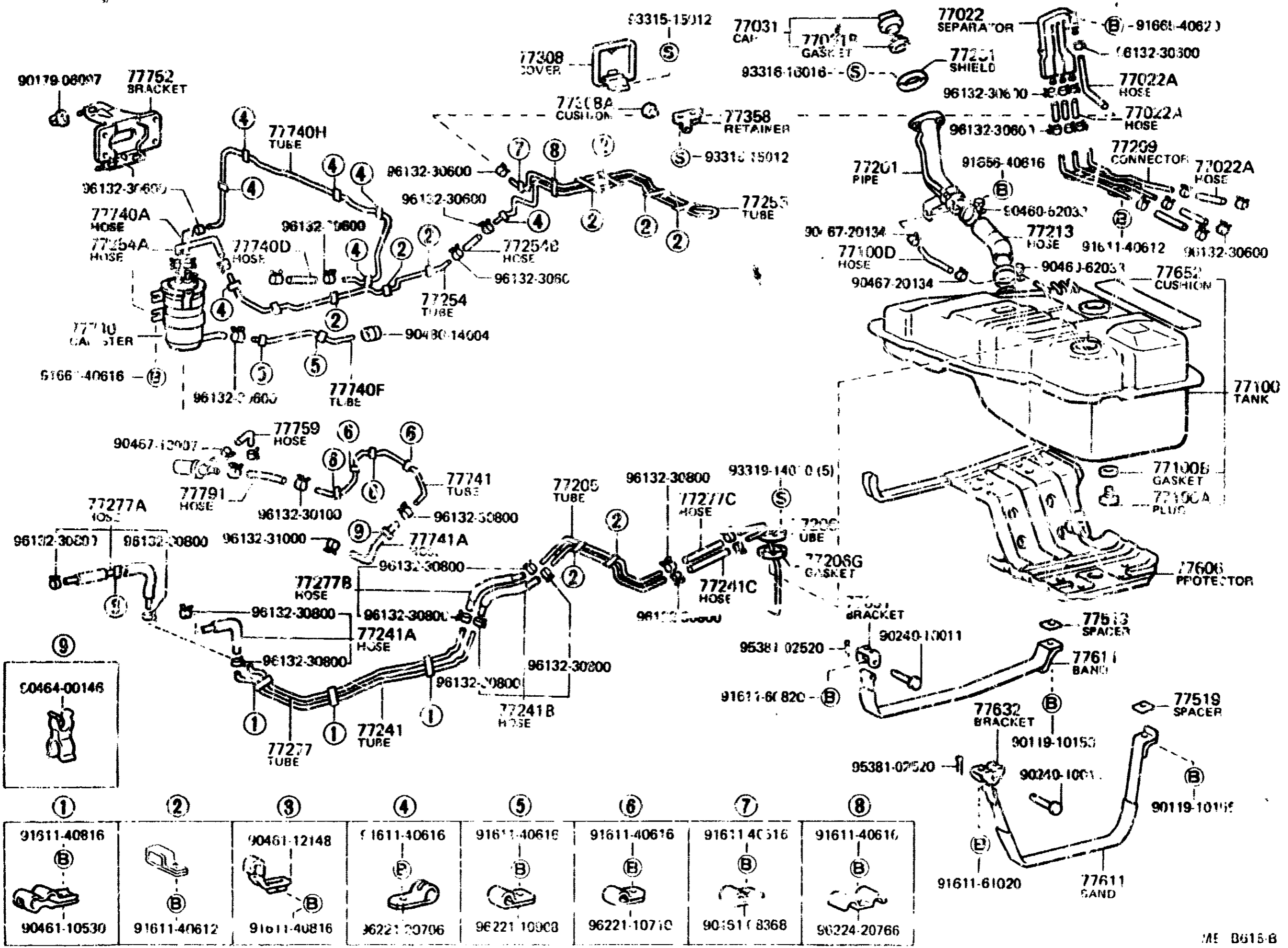


NO 8584-B

P.N.	DATE	MODELS	DESCRIPTION	R/P	PART NUMBER	QTY	REV. REF. CODE	
							FROM	UP TO
FIG.		67-52 FRONT DOOR VENTILATOR WINDOW						
		1 67410	BAR ASSY, FRONT DOOR WINDOW DIVISION, RH					
8008-8410		BJ42,FJ40			67401-90301-	1	1	80
		1 67412	BRACKET, FRONT DOOR DIVISION BAR SET					
8008-8410		BJ42,FJ40			67481-90301-	2	1	80
		1 67420	BAR ASSY, FRONT DOOR WINDOW DIVISION, LH					
8008-8410		BJ42,FJ40			67402-90301-	1	1	80
		1 67441	NUT, LOCK HANDLE					
8008-8205		BJ42,FJ40			90170-12166-	2	1	
8205-8410		BJ42,FJ40			90170-12015-	2		80
		1 6746A	STOPPER, DOOR VENTILATING WINDOW OPENING					
8008-8410		BJ42,FJ40			67559-90300-	2	1	80
		1 67501	FRAME SUB-ASSY, VENT WINDOW GLASS, RH					
8008-8410		BJ42,FJ40			67501-90301-	1	1	80
		1 67501B	SPRING, COMPRESSION (FOR VENT WINDOW GLASS FRAME)					
8008-8410		BJ42,FJ40			90501-05259-	2	1	80
		1 67502	FRAME SUB-ASSY, VENT WINDOW GLASS, LH					
8008-8410		BJ42,FJ40			67502-90301-	1	1	80
		1 67519	SHAFT, VENTILATING WINDOW LOCK HANDLE					
8008-8410		BJ42,FJ40			67519-60011-	2	1	80
		1 67541	HANDLE, VENTILATING WINDOW LOCK, RH					
8008-8410		BJ42,FJ40			67561-95400-	1	1	80
		1 67541A	SPRING, COMPRESSION (FOR VENTILATING WINDOW LOCK HANDLE)					
8008-8410		BJ42,FJ40			90501-05614-	2	1	80
		1 67541C	PIN, VENTILATING WINDOW LOCK HANDLE					
8008-8410		BJ42,FJ40			67563-95400-	1	1	80

PROD. DATE	MODELS	DESCRIPTION	PART NUMBER	QTY	REV. REF. CODE		PROD. DATE	MODELS	DESCRIPTION	PART NUMBER	QTY	REV. REF. CODE	
					FROM	UP TO						FROM	UP TO
8008-8410	+-----+   89685   PAD. LOCK CYLINDER +-----+ B/J47-FJ40		89685-12010-	2	1	80							

(8008-8210) USA



①	②	③	④	⑤	⑥	⑦	⑧
91611-40816		90461-12148	91611-40616	91611-40616	91611-40616	91611-40616	91611-40616
90461-10530	91611-40612	91611-40816	96221-20706	96221-10908	96221-10710	90451-8368	96224-20766

ME 0615-B

PRD. DATE	MODELS	DESCRIPTION	R/P	PART NUMBER	QTY	REV. REF. CODE		PROD. DATE	MODELS	DESCRIPTION	R/P	PART NUMBER	QTY	REV. REF. CODE	
						FROM	UP TO							FROM	UP TO
2008-8-10	BJ42, FJ40	SHADE, REAR COMBINATION LAMP, NO. 2 LH		81568A 31557-26040-	1	1	80								



PROD. DATE	MODELS	DESCRIPTN	R/P	PART NUMBER	QTY	REV. REF. CODE	
						FROM	UP TO
FIG.	83-01 METER						
	83100B	BULB, COMBINATION METER, NO.1					
8008-8410	BJ42	24V 5W		99134-12030-	5	1	80
8008-8309	FJ40	12V 3.4W		99132-12034-	5	1	
	83101	SOCKET SUB-ASSY, COMBINATION METER BULB					
8008-8410	BJ42, FJ40			83101-20040-	5	1	80
	83102	PLATE SUB-ASSY, COMBINATION METER CIRCUIT, NO.1					
8008-8410	BJ42			83102-60061-	1	1	80
8008-8309	FJ40			83102-60051-	1	1	
	83110	SPEEDOMETER ASSY					
8008-8410	BJ42, FJ40	CND		83110-60133-	1	1	80
8008-8309	FJ40	USA		83110-60152-	1	1	
	83132	CASE, COMBINATION METER					
8008-8010	BJ42			83132-60020- (83132-60090-)	1	1	
8010-8410	BJ42			83132-60090-	1		80
8008-8010	FJ40			83132-60010- (83132-60070-)	1	1	
8010-8309	FJ40			83132-60070-	1		
	83134	COVER, COMBINATION METER, NO.1					
8008-8410	BJ42, FJ40			83134-60020-	1	1	80
	83134A	COVER, COMBINATION METER					
8008-8410	BJ42, FJ40			83134-60050-	1		80
	83145P	DROPPER, METER					
8008-8410	BJ42			83145-10010-	1		80
	83310	GAGE ASSY, FUEL RECEIVER					
8008-8410	BJ42, FJ40			83310-60014-	1	1	80
	83410	GAGE ASSY, WATER TEMPERATURE RECEIVER					
8008-8410	BJ42, FJ40			83410-60015-	1	1	80

PROD. DATE	MODELS	DESCRIPTION	R/P	PART NUMBER	QTY	REV. REF. CODE	
						FROM	UP TO
	83510	GAGE ASSY, OIL PRESSURE RECEIVER					
8008-8410	BJ42			83510-70051-	1	1	80
8008-8309	FJ40			83510-60013-	1	1	
	83610	AMMETER ASSY					
8008-8410	BJ42, FJ40			83610-60023-	1	1	80
	83710	CABLE ASSY, SPEEDOMETER DRIVE, NO.1					
8008-8410	BJ42, FJ40	L=2100		83710-69100-	1	1	80

PROD. DATE	MODELS	DESCRIPTION	P /	PART NUMBER	QTY	REV. REF. CODE	
						FROM	UP TO
FIG.	85-03	WINDSHIELD WASHER					
	85033	CAP ASSY, WINDSHIELD WASHER					
8008-8110	BJ42, FJ40			85332-60010-	1	1	6
8110-8410	BJ42, FJ40			85332-20060-	1	7	80
	85310	MOTOR AND PUMP ASSY, WINDSHIELD WASHER					
8008-8110	BJ42			85310-50010-	1	1	6
8110-8410	BJ42			85310-60010-	1	7	80
8008-8110	FJ40			85310-60030-	1	1	6
8110-8309	FJ40			85310-20130- (85310-12130-)	1	7	80
	85330	JAR ASSY, WINDSHIELD WASHER					
8008-8110	BJ42			85330-60070-	1	1	6
8110-8410	BJ42			85330-61071-	1	7	80
8008-8110	FJ40			85330-61060-	1	1	6
8110-8309	FJ40			85330-61061-	1	7	80
	85330A	BUCH, WINDSHIELD WASHER JAR					
8110-8410	BJ42, FJ40			90099-12103-	1	19	80
	85332B	LABEL, WASHER					
8008-8110	BJ42, FJ40			85332-60020-	1	1	6
	85333	FILTER, WINDSHIELD WASHER JAR					
8008-8110	BJ42, FJ40			85333-60010-	1	1	6
8110-8410	BJ42, FJ40			85333-10010-	1	7	80
	85333A	FILTER, WINDSHIELD WASHER JAR, NO. 2					
8110-8410	BJ42, FJ40			85333-20070-	1	7	80
	85345	NOZZLE, WINDSHIELD WASHER					
8008-8410	BJ42, FJ40, V			85035-60050-	1	1	80
8008-8110	FJ40, TP			85035-60050-	1	1	6
	85346	JOINT, WINDSHIELD WASHER HOSE					
8110-8410	BJ42	L=40		85349-20010-	1	7	80

PROD. DATE	MODELS	DESCRIPTION	P /	PART NUMBER	QTY	REV. REF. CODE	
						FROM	UP TO
		CONTINUED					
		85346 JOINT, WINDSHIELD WASHER HOSE					
2008-8110	BJ42, FJ40	L=40		85349-20010-	1	1	6
8003-8410	BJ42, FJ40	L=42		85349-14010-	1	1	80
		85355 VALVE, WINDSHIELD WASHER HOSE					
8008-8410	BJ42, FJ40, V			85031-30010-	1	1	80
		85360 BRACKET ASSY, WINDSHIELD WASHER					
8008-8410	BJ42			85361-60060-	1	1	80
8008-8309	FJ40			85360-60010-	1	1	6
		85371 HOSE, WINDSHIELD WASHER (FROM MOTOR TO JOINT NOZZLE)					
8008-8410	BJ42	L=230		90445-09003-	1	1	80
8008-8110	FJ40	XL=L=100		90099-33332-	1	1	6
		85372 HOSE, WINDSHIELD WASHER (FROM JOINT TO JOINT NOZZLE)					
8008-8410	BJ42, FJ40, V	L=200		90445-07065-	1	1	80
8008-8110	FJ40, TP	XL, L=1000		90446-08006-	1	1	6
		85373 HOSE, WINDSHIELD WASHER (FROM JOINT TO NOZZLE)					
8008-8410	BJ42, FJ40, V	L=200		90445-07065-	1	1	80
8008-8110	FJ40, TP	XL, L=100		90446-06013-	1	1	6

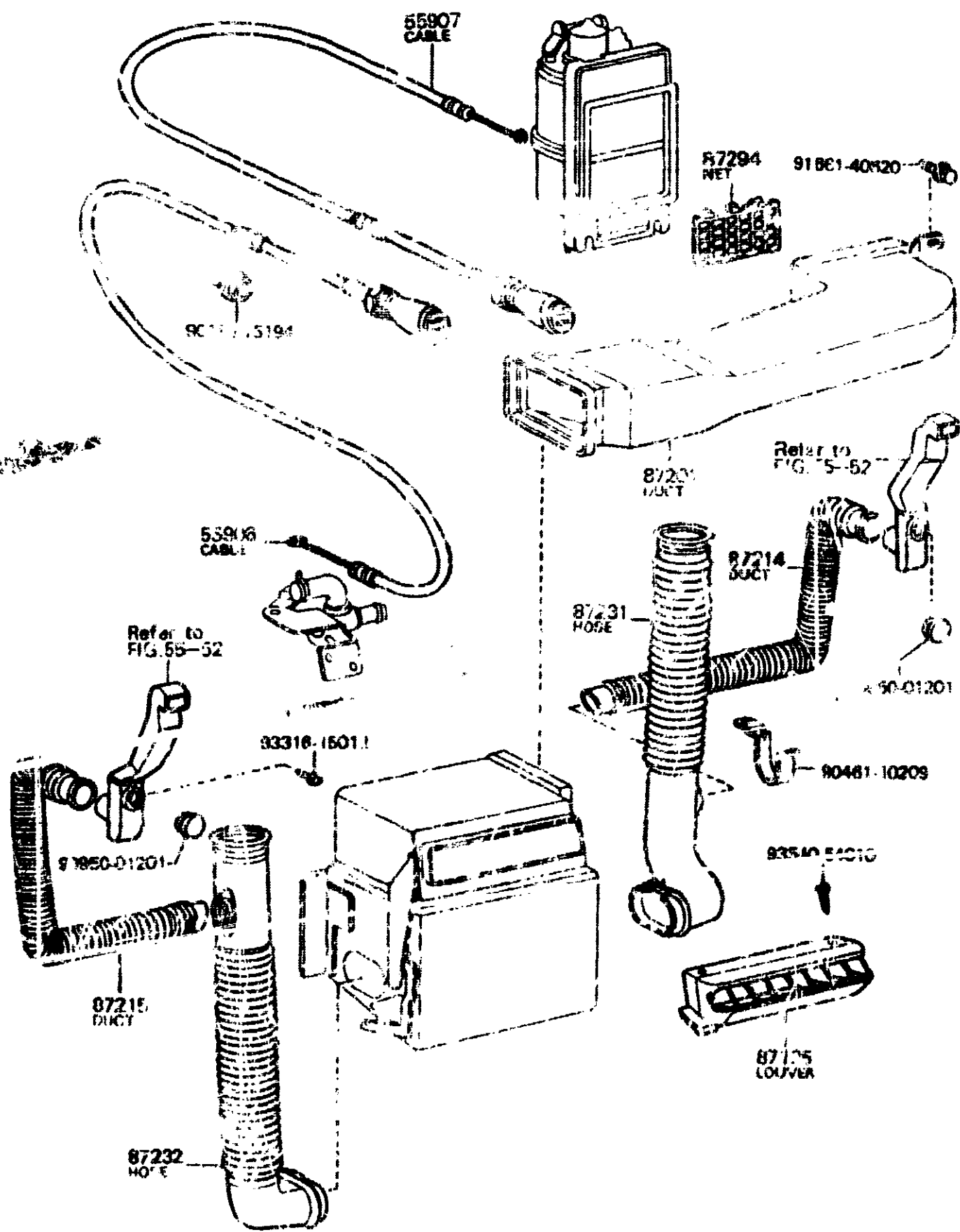
\* H, L: cut hose to length as specified in remarks

# FIG. 87-15 HEATING & AIR CONDITIONING - CONTROL & AIR DUCT

## 3-A10

### GENUINE TOYOTA PARTS

(8008- )



PROD. DATE	MODELS	DESCRIPTION	PART NUMBER	QTY	REV. REF. CODE	
					FROM	UP TO
	FIG.	87-15 HEATING & AIR CONDITIONING - CONTROL & AIR DUCT				
		←→				
		←→				
		←→				
8008-8210	BJ42	←→	55906   CABLE SUB-ASSY, HEATER CONTROL	1	1	18
8210-8410	BJ42		87286-60152-	1	19	80
8008-8309	BJ42		87286-60101-	1	1	
		←→				
		←→				
		←→				
8008-8410	BJ42, FJ40	←→	55907   CABLE SUB-ASSY, HEATER AIR INLET BUTTERFLY	1	1	80
		←→				
		←→				
8008-8410	BJ42, FJ40	←→	87125   COVER, VENTILATION	1	1	80
		←→				
		←→				
8008-8410	BJ42, FJ40	←→	87201   DUCT SUB-ASSY, AIR, NO. 1	1	1	80
		←→				
8008-8410	BJ42, FJ40		87211-60031-	1	1	80
8008-8309	FJ40..V..USA		W/COOLED 87211-60160-	1	1	
		←→				
		←→				
8008-8410	BJ42, FJ40..V		87214   DUCT, AIR, SIDE NO. 1 RH L=600	1	1	80
		←→				
		←→				
8008-8410	BJ42, FJ40..V		87215   DUCT, AIR, SIDE NO. 1 LH L=640	1	1	80
		←→				
		←→				
8210-8410	BJ42, FJ40		87231   HOSE, HEATER DEFROSTER, RH	1	19	80
8008-8210	BJ42, FJ40..V		W/SIDE DEF 87231-60110-	1	1	18
8210-8309	FJ40		W/SIDE DEF 87231-60036-	1	19	
8008-8210	FJ40..USA		87231-60032-	1	1	10
		←→				
		←→				
8210-8410	BJ42, FJ40		87232   HOSE, HEATER DEFROSTER, LH W/SIDE DEF	1	19	80
8008-8210	BJ42, FJ40..V		W/SIDE DEF 87231-60120-	1	1	18
8210-8309	FJ40		87231-60103-	1	19	
8008-8210	FJ40..USA		87231-60102-	1	1	18
		←→				
		←→				
8008-8410	BJ42, FJ40		87294   NET, AIR DUCT	1	1	80

## CONTENTS

(PART NAME - LOCATION)

ABSORBER	- BASE	A12
BATTERY	- BOLT	B12
BOLT	- BRACKET	C12
BRACKET	- CASE	D12
CASE	- COVER	E12
COVER	- CYLINDER	F12
CYLINDER	- GASKET	G12
GASKET	- GEAR	H12
GEAR	- HOSE	I12
HOSE	- JACK	J12
JACK	- MEMBER	K12
MEMBER	- PANEL	L12
PANEL	- PLATE	M12
PLATE	- PUMP	A13
PUMP	- RING	B13
RING	- SEAL	C13
SEAL	- SLEEVE	D13
SLEEVE	- STAY	E13
STAY	- VALVE	F13
VALVE	- WIRE	G13
WIRE	- YOKE	H13

PART	NAME	LOCATION
ABSORBER ASSY, SHOCK FRONT, LH		2-E9
ABSORBER ASSY, SHOCK FRONT, RH		2-E8
ABSORBER, INNER REAR VIEW MIRROR		3-89
ABSORBER, SHOCK REAR, LH		2-48
ABSORBER, SHOCK REAR, RH		2-48
ACTUATOR SET, TIRE UP		3-E10
ADAPTER, TRANSFER		2-K1
ADAPTOR, WATER HOSE JOINT		3-D10
ADJUSTER ASSY, RECLINING SEAT BACK, LH		3-55
ADJUSTER ASSY, RECLINING SEAT BACK, RH		3-55
ADJUSTER ASSY, SHOE, LH (FOR REAR BRAKE)		2-87
ADJUSTER ASSY, SHOE, RH (FOR REAR BRAKE)		2-87
ADVANCER ASSY, VACUUM, DISTRIBUTOR		1-L5
ALTERNATOR ASSY		1-36
AMMETER ASSY		3-A8
ANTENNA ASSY, W/HOLDER		3-E7
ANTI-RATTLE (FOR STEERING FLEXIBLE COUPLING)		2-J5
APRON, REAR FENDER, LH		3-C3
APRON, REAR FENDER, RH		3-C3
ARM ASSY, WINDSHIELD WIPER		3-J8
ARM KIT, STEERING CENTER		2-H6
ARM SUB-ASSY		1-M7
ARM SUB-ASSY, VALVE PCKER, NO.1		1-L2
ARM SUB-ASSY, VALVE PCKER, NO.2		1-L2
ARM, REVERSE SHIFT		2-F2
ARM, STEERING CENTER		2-H6
ARM, STEERING KNUCKLE, LH		2-16
ARM, STEERING KNUCKLE, RH		2-16
ARM, 5TH SHIFT		2-F2
ARMATURE ASSY, STARTER		2-H6
ARMATURE SUB-ASSY (FOR WINCH MOTOR)		2-A4
ATTACHMENT, GREASE GUN		1-B1
BACK ASSY, FRONT SEAT, LH (FOR SEPARATE TYPE)		3-C5
BACK ASSY, FRONT SEAT, RH (FOR SEPARATE TYPE)		3-C5
BAC, TOOL		1-A1
BALL (FOR POWER PISTON NUT)		2-15
BALL (FOR SHIFT INTER-LOCK)		2-H2
BALL (FOR SHIFT LOCK SPRING)		2-L3
BALL (FOR TRANSFER INPUT GEAR STOPPER)		2-B3
BALL, PISTON		3-J10
BALL, RELEASE FORK		2-B1
BALL, REVERSE SHIFT RESTRICT		2-G2
BALL, SHAFT DETENT		2-H2
BALL, SHIFT DETENT		2-D3
BALL, SHIFT DETENT, NO.2		2-H2
BALL, SPEED CONTROL		1-47
BALL, STEEL, NO.1 (FOR DISCHARGE WEIGHT)		1-B7
BALL, STEEL, NO.2 (FOR PUMP PLUNGER)		1-B7
BAND SUB-ASSY, REAR SIDE SEAT		3-C2
BAND, FUEL TANK		3-F6
BAND, IGNITION COIL, NO.1		1-J5
BAND, TOOL BAG		3-M3
BAR ASSY, FRONT DOOR WINDOW DIVISION, LH		3-A4
BAR ASSY, FRONT DOOR WINDOW DIVISION, RH		3-A4
BAR, AIR PUMP ADJUSTING NO.1		1-A5
BAR, AIR PUMP ADJUSTING NO.2		1-A5
BAR, FAN BELT ADJUSTING		1-A4
BAR, FAN BELT ADJUSTING, NO.2		1-A4
BAR, REAR BUMPER SIDE, LH		3-11
BAR, REAR BUMPER SIDE, RH		3-11
BAR, ROLL SIDE, LH		3-G5
BAR, ROLL SIDE, RH		3-G5
BAR, ROLL, FRONT		3-G5
BASE, RADIATOR SHUTTER CONTROL WIRE CLAMP		3-A2

PART	NAME	LOCATION
PLATE, DOOR LOCK STRIKER		3-K4
PLATE, DOOR VENTILATING WINDOW HANDLE		3-B4
PLATE, EMISSION CONTROL INFORMATION		1-H5
PLATE, EMISSION CONTROL SYSTEM INFORMATION		3-15
PLATE, ENGINE CAUTION		1-H5
PLATE, ENGINE CAUTION & ENGINE NAME		1-H5
PLATE, ENGINE CAUTION, NO.2		1-H5
PLATE, ENGINE VACUUM HOSE INFORMATION		1-H5
PLATE, EXHAUST EMISSION DATA		3-15
PLATE, FENDER APRON SPLASH		3-L
PLATE, FRONT END		1-M
PLATE, FRONT FENDER NAME, NO.1 (MODEL MARK)		3-L
PLATE, FUEL CAUTION		3-15
PLATE, HORN BUTTON CONTACT, NO.2		2-F3
PLATE, IDLE GEAR THRUST		1-L2
PLATE, LOCK (FOR TRANSFER GEAR)		2-C3
PLATE, LOCK NUT		2-L4
PLATE, POWER STEERING OIL CAUTION		2-B6
PLATE, QUARTER OR SIDE WINDOW HINGE		3-E3
PLATE, RADIATOR GRILLE OR FRONT PANEL NAME		3-15
PLATE, REAR END		1-A2
PLATE, REAR FENDER UNDER GUARD		3-D3
PLATE, REAR NAME, NO.1 (PLANT MARK)		3-L5
PLATE, REAR NAME, NO.5 (MECHANISM)		3-L5
PLATE, REGULATOR COVER		1-B6
PLATE, SIDE, FRONT		2-96
PLATE, SIDE, REAR		2-B6
PLATE, SNAP RING LOCK		2-B6
PLATE, SPEEDOMETER SLEEVE LOCK (MTM)		2-L1
PLATE, STARTER LOCK		1-G6
PLATE, STATIONARY, DISTRIBUTOR		1-L5
PLATE, STEERING COLUMN HOLE COVER		2-K5
PLATE, SWITCH		3-G8
PLATE, TAPPET ADJUSTING SHIM		1-17
PLATE, TRANSFER CAUTION		2-15
PLATE, WATER PUMP		2-13
PLATE, WIRE LOCK		1-L3
PLATE, CENTER ARM NUT LOCK		1-16
PLIERS		1-A1
PLUG (FOR FRONT AXLE HOUSING)		1-A5
PLUG (FOR FUEL TANK)		3-E6
PLUG (FOR OIL PAN DRAIN)		1-K1
PLUG (FOR REAR AXLE HOUSING FILLER)		2-F4
PLUG (FOR REVERSE RESTRICT PIN)		2-M2
PLUG (FOR STEERING GEAR BOX)		2-L5
PLUG (FOR STEERING KNUCKLE)		2-A8
PLUG (FOR TRANSFER CASE)		2-L2
PLUG ASSY, GLOW		1-J5
PLUG SUB-ASSY, DRAIN		2-A5
PLUG SUB-ASSY, DRAIN (FOR REAR AXLE HOUSING)		2-F4
PLUG SUB-ASSY, DRAIN (MTM)		2-K1
PLUG, ADJUSTER		2-15
PLUG, AIR VENT		1-F8
PLUG, ASSIST GRIP		3-F5
PLUG, BLEEDER (FOR DISC BRAKE, FRONT)		2-E7
PLUG, BLEEDER (FOR DRUM BRAKE, REAR)		2-H7
PLUG, BLEEDER (FOR RELEASE CYLINDER)		2-G1
PLUG, BREATHER (FOR FRONT AXLE HOUSING)		2-A5
PLUG, BREATHER (FOR TRANSFER CASE)		2-M2
PLUG, DIAPHRAGM HOUSING SEALING SCREW		1-L7
PLUG, DRAIN		2-K3
PLUG, EXPANSION (FOR CAMSHAFT)		1-K2
PLUG, EXPANSION OR TIGHT (FOR TRANSMISSION CASE COVER)		2-F2

PART	NAME	LOCATION
PLUG, FEED PUMP CHECK VALVE CHAMBER		1-A3
PLUG, FEED PUMP PISTON CHAMBER		1-A8
PLUG, FILLER		2-K3
PLUG, HOLE (FOR CLUTCH UNDER COVER)		1-A2
PLUG, HOLE (FOR INSTRUMENT PANEL)		3-D2
PLUG, HOLE (FOR REAR BRIDE)		2-H7
PLUG, IDLE LIMIT		1-B7
PLUG, INJECTION PUMP FEEL PLATE		1-17
PLUG, MAIN PASSAGE (FOR CARBURETOR JET)		1-D7
PLUG, MANUAL TRANSMISSION CASE		2-K1
PLUG, NO.2		1-E4
PLUG, OIL PUMP RELIEF VALVE		1-B3
PLUG, RADIATOR DRAIN COCK		1-A4
PLUG, SHAFT DETENT BALL SPRING		2-D3
PLUG, SPARK		1-J5
PLUG, STRAIGHT SCREW (FOR STEERING LINK JOINT)		2-16
PLUG, STRAIGHT, NO.1		1-G1
PLUG, TIGHT (FOR EXHAUST MANIFOLD)		1-E4
PLUG, TIGHT (FOR WINCH GEAR CASE COVER)		2-K3
PLUG, TIGHT POWER STEERING PUMP		2-B6
PLUG, TIGHT, NO.1		1-G1
PLUG, TIGHT, NO.1 (FOR CYLINDER BLOCK)		1-J1
PLUG, TIGHT, NO.2		1-G1
PLUG, TIGHT, NO.2 (FOR CYLINDER BLOCK)		1-J1
PLUG, TIGHT, NO.3		1-G1
PLUG, TIGHT, NO.3 (FOR CYLINDER BLOCK)		1-J1
PLUG, TIGHT, NO.4		1-G1
PLUG, TIGHT, NO.4 (FOR CYLINDER BLOCK)		1-J1
PLUG, TIGHT, NO.5		1-G1
PLUG, TIGHT, NO.5 (FOR CYLINDER BLOCK)		1-J1
PLUG, W/HEAD TAPER SCREW		1-13
PLUG, W/HEAD TAPER SCREW, NO.1		1-G1
PLUG, W/HEAD TAPER SCREW, NO.2		1-K1
PLUG, W/HEAD TAPER SCREW, NO.3		1-K1
PLUG, WATER DRAIN COCK (FOR CYLINDER BLOCK)		1-J1
PUNGER, PUMP		1-C7
PUNGER, REVERSE 1/2 ST4 SHIFT RETURN		2-G2
PUNGER, REVERSE SHIFT RETURN		2-F2
PUNGER, 1ST & 2ND SHIFT RETURN		2-F2
PUNTER, TIMING		1-A2
PROTECTOR SUB-ASSY, FUEL TANK, NO.1		3-F3
PROTECTOR, BACK DOOR HARNESS		3-H4
PROTECTOR, BRAKE TUBE		2-M
PROTECTOR, HOOD, FRONT		3-L
PROTECTOR, INSTRUMENT CLUSTER FINISH PANEL		3-D
PROTECTOR, SPARE WHEEL CARRIER LOCK		3-E1
PULL ASSY, DOOR, INSIDE		3-F5
PULLEY ASSY, POWER STEERING IDLE		2-D6
PULLEY, ALTERNATOR		1-D6
PULLEY, COOLER COMPRESSOR IDLE		3-K10
PULLEY, CRANKSHAFT		1-H1
PULLEY, CRANKSHAFT, NO.2		1-H1
PULLEY, FAN		1-15
PULLEY, PARKING BRAKE SEGMENTAL		2-H7
PULLEY, VANE PUMP		2-1
PUMP ASSY, AIR		1-1
PUMP ASSY, FUEL		1-D8
PUMP ASSY, FUEL FEED		1-B8
PUMP ASSY, INJECTION		1-G7
PUMP ASSY, OIL		1-B3
PUMP ASSY, VACUUM		1-J6
PUMP ASSY, VANE		2-A6
PUMP ASSY, WATER		1-13

## CONTENTS (PART NUMBER -- LOCATION)

04044	-- 12204	-----	-----	A14
12251	-- 19115	-----	-----	B14
19121	-- 27700	-----	-----	C14
28011	-- 38192	-----	-----	D14
38193	-- 45700	-----	-----	E14
45721	-- 56301	-----	-----	F14
56301	-- 74559	-----	-----	G14
74559	-- 87104	-----	-----	H14
87104	-- 90301	-----	-----	I14
90301	-- 90562	-----	-----	J14
90562	-- 99915	-----	-----	K14

PART NUMBER	LOCATION	PART NUMBER	LOCATION	PART NUMBER	LOCATION
04044-60040-	2-H5	09155-44010-	1-B1	11312-56031-	1-H1
04111-58011-	1-E1	09173-00020-	1-B1	-61010-	1-H1
-58012-	1-E1	09183-00030-	1-B1	11328-56070-	1-A2
-58013-	1-E1	-60010-	1-B1	-60010-	1-A2
-58010-	1-E1	11011-56110-	1-G2	11345-48010-	1-A2
-61010-	1-E1	11012-56110-	1-G2	11355-56040-	1-A2
04112-58010-	1-E1	-56110-	1-G2	11359-60011-	1-A2
-58011-	1-E1	11101-58012-	1-G1	11381-56030-	1-A2
-58010-	1-E1	-58013-	1-G1	-56031-	1-A2
-61010-	1-E1	-59095-	1-G1	11383-56030-	1-A2
04161-56010-	1-I3	-59096-	1-G1	-56031-	1-A2
-56010-	1-I3	-61011-	1-G1	11391-56020-	1-A2
04162-61020-	1-I3	-61010-	1-G1	-60010-	1-A2
04211-61140-	1-L6	11106-58010-	1-E7	11400-58010-	1-D1
-61170-	1-L6	11115-58010-	1-G1	-58011-	1-D1
04212-61030-	1-L6	-58011-	1-G1	-58012-	1-D1
-60030-	2-E1	-58011-	1-G1	-5040-	1-D1
04313-40021-	2-G1	-58011-	1-G1	-61011-	1-D1
-50020-	2-G1	-61011-	1-G1	11401-59075-	1-J1
-60040-	2-G1	11112-56021-	1-G1	-59115-	1-J1
04317-60020-	1-A2	-56021-	1-G1	-59225-	1-J1
04331-60040-	2-I1	-61011-	1-G1	-59224-	1-J1
-60041-	2-I1	11123-61011-	1-G1	-59305-	1-J1
-60040-	2-I1	11126-61011-	1-G1	-69055-	1-J1
04371-36011-	2-G3	11127-61011-	1-G1	11412-56040-	1-K1
-36010-	2-G3	11131-60011-	1-G1	-56050-	1-K1
04383-60010-	2-H3	11132-60030-	1-G1	-60013-	1-K1
04384-60010-	2-H3	11135-60010-	1-E1	11459-56040-	1-K1
-60100-	2-F3	11136-60030-	1-H1	11461-58010-	1-K1
-50101-	2-F3	11176-56010-	1-E7	-58020-	1-K1
04434-60012-	2-A7	11177-56010-	1-E7	11475-58010-	1-K1
04443-60140-	2-I1	11201-69045-	1-H1	11476-58010-	1-K1
-35040-	2-I5	11203-56030-	1-J1	11701-56010-01	1-G2
04446-30110-	2-A6	-56040-	1-J1	-56010-02	1-J2
14453-60020-	2-H5	-61011-	1-J1	11702-56010-	1-G2
-60021-	2-H6	11211-56031-	1-H1	-60013-	1-G2
04455-35010-	2-I5	-59045-	1-H1	11703-60013-	1-G2
04474-60010-	2-H7	11213-56011-	1-H1	11704-56010-	1-G2
04476-60010-	2-H7	-56012-	1-H1	-56020-	1-G2
04479-30030-	2-E7	-61011-	1-H1	-60013-	1-G2
04481-60020-	2-D8	11253-56010-	1-J1	11705-56010-	1-G2
-60020-	2-G8	-60010-	1-J1	-56020-	1-G2
04482-60010-	2-D8	11293-58010-	1-H5	-60013-	1-G2
-60010-	2-G8	-61011-	1-H5	11707-56010-	1-G2
04491-60010-	2-F7	11294-34020-	1-H5	-56020-	1-G2
04493-60010-	2-H6	11295-46010-	1-H1	11802-56011-	1-K2
04495-60010-	2-G7	11297-61021-	1-H5	-56020-	1-K2
04831-50030-	3-I13	-61021-	3-I3	-61011-	1-K2
09101-60112-	1-A1	-61022-	3-45	11804-60021-	1-K2
-60122-	1-A1	-60023-	3-15	11805-60021-	1-K2
-60230-	1-A1	-61021-	1-H5	12101-56060-	1-K1
-60231-	1-A1	-61022-	1-H5	-59145-	1-K1
-60232-	1-A1	-61023-	3-15	-61010-	1-K1
-60240-	1-A1	-61024-	1-H5	-61011-	1-K1
-60241-	1-A1	-61025-	3-15	12151-56030-	1-K1
-60242-	1-A1	-61026-	1-H	-60021-	1-K1
09110-60010-	1-A1	-61027-	3-15	12157-10010-	2-A5
-60040-	1-A1	-61028-	1-H5	-60010-	2-F4
09113-60010-	1-A1	11301-56030-	1-H1	-60010-	2-K1
-60040-	1-A1	-56031-	1-H1	-60010-	2-K1
09120-60050-	1-A1	11502-56030-	1-H1	-60010-	2-L2
09130-60030-	1-A1	-61020-	1-H1	12180-13010-	1-H1
09140-27010-	1-B1	11311-61010-	1-H1	-70010-	1-H1
09150-60010-	1-B1	11312-56030-	1-M1	12204-61010-	1-E2

NOTICE

**A15**

**REVISION REFERENCE CODE LIST**

**FRAME NUMBER AND VEHICLE IDENTIFICATION NUMBER**

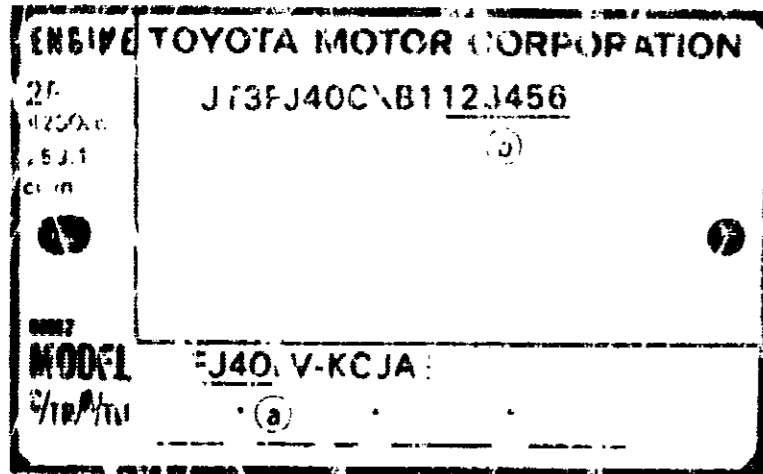
1. FRAME NUMBER FJ40-123456.

FRAME NUMBER IS GIVEN ON THE DASH COWL IN THE ENGINE ROOM. FUNCTION IN TOYOTA PARTS CATALOG IS LISTED IN THE REVISION REFERENCE CODE LIST TO IDENTIFY ENGINEERING CHANGE PERIOD AS BEFORE SO, IN LOCATING PARTS CATALOG, TAKE A LOOK AT FRAME NUMBER ON CORRESPONDING VEHICLE

REV. REF. CODE	ENGINE NO. OR FRAME NO.
1	FJ40-123456

2. NAME PLATE

NAME PLATE IS ATTACHED TO THE DASH COWL IN THE ENGINE ROOM. MODEL COLUMN



INDICATES FULL MODEL CODE, SO, FOR MODEL INFORMATION REFER TO THE NAME PLATE AS BEFORE PROCEDURE TO DETERMINE FRAME NUMBER FROM NAME PLATE IS :

(a) + (b) =  
FJ40-123456

3. VEHICLE IDENTIFICATION NUMBER JT3FJ40CXB1123456

VEHICLE IDENTIFICATION NUMBER IS GIVEN TO VIN PLATE ON LEFT HAND OF DASH BOARD, CERTIFICATION REGULATION PLATE ON LEFT DOOR PILLAR, AND NAME PLATE.

NOTICE

FRAME NUMBERING IS STARTED FROM DIFFERENT STARTING FRAME NUMBER PER EACH ASSEMBLY LINE.

WHEN REFERRING TO STARTING FRAME NUMBER ON REVISION REFERENCE CODE LIST, BEAR FOLLOWING MATTER IN YOUR MIND.

Starting Frame Number Per Each Assembly Line.

Assembly Line	Toyota Motor Honsya Plant (A11)
BJ42--	000001 ~
FJ40--	300001 ~

LA 1 CRUISER 525G (U.S.A.)

REV. REF. CODE	ENGINE NO. OR FRAME NO.	REV. REF. CODE	ENGINE NO. OR FRAME NO.	REV. REF. CODE	ENGINE NO. OR FRAME NO.
1	FJ40-327526	30	3B-502601		
	BJ42-000003	31	3B-502602		
6	BJ42-002349	34	BJ42-915095		
	FJ40-347846	35	BJ42-915096		
7	BJ42-002350	38	BJ42-0915761		
	FJ40-347847		FJ40-0810307		
8	BJ42-001668	39	BJ42-0915769		
9	BJ42-001669		FJ40-0810308		
10	FJ40-340210	40	BJ42-0914860		
11	FJ40-340211		FJ40-0362027		
14	FJ40-345530	41	BJ42-0914841		
15	FJ40-345570		FJ40-0362028		
16	BJ42-002052	46	FJ40-3364069		
	FJ40-344388	53	BJ42-0916630		
17	BJ42-002053	57	BJ42-0916651		
	FJ40-344389	80	BJ42-000999		
18	BJ42-004357	82	BJ42-0007729		
	FJ40-358793	83	BJ42-0007750		
9	BJ42-004358	84	BJ42-0917482		
	FJ40-358793	85	BJ42-0917483		
20	2F-630115	94	3B-0671999		
21	2F-636116	95	3B-0672000		
22	BJ42-003576				
	FJ40-354989				
23	BJ42-003577				
	FJ40-354990				
24	FJ40-356612				
25	FJ40-356613				
26	2F-659119				
27	2F-659120				
28	BJ42-001742				
	FJ40-357516				
29	BJ42-004243				
	FJ40-357917				

## GUIDE TO CONTENTS

- |   |                |                          |
|---|----------------|--------------------------|
| 1. MODELS COVERED & CHARACTERISTICS ..... | C 15 , D 15    | (included in each fiche) |
| 2. MARK & ABBREVIATION .....              | B 16 , C 16    | (included in each fiche) |
| 3. INDEX                                  |                |                          |
| ILLUSTRATED INDEX .....                   | D 16 thru K 16 | (included in each fiche) |
| FIGURE NUMBER INDEX .....                 | L 16 , M 16    | (included in each fiche) |
| 4. ILLUSTRATIONS & TEXT .....             | From 1-A1      | (included in each fiche) |

The contents (illustrations & text) have been divided  
into groups by function in the following sequence:

- Engine
- Fuel
- Power train - Chassis
- Body
- Electrical

### 5. APPENDICES

- |   |                |                                    |
|---|----------------|------------------------------------|
| PART NAME  LOCATION LIST .....                  | A 12 thru H 13 | (included in the fiche No. 3 of 3) |
| PART NUMBER  LOCATION LIST .....                | A 14 thru K 14 | (included in each fiche)           |
| REVISION REFERENCE CODE LIST .....              | A 15           | (included in each fiche)           |
| PRODUCTION FRAME NUMBER<br>REFERENCE LIST ..... | B 15           | (included in each fiche)           |

Note : SST (Special Service Tools) are not included in this parts catalog.

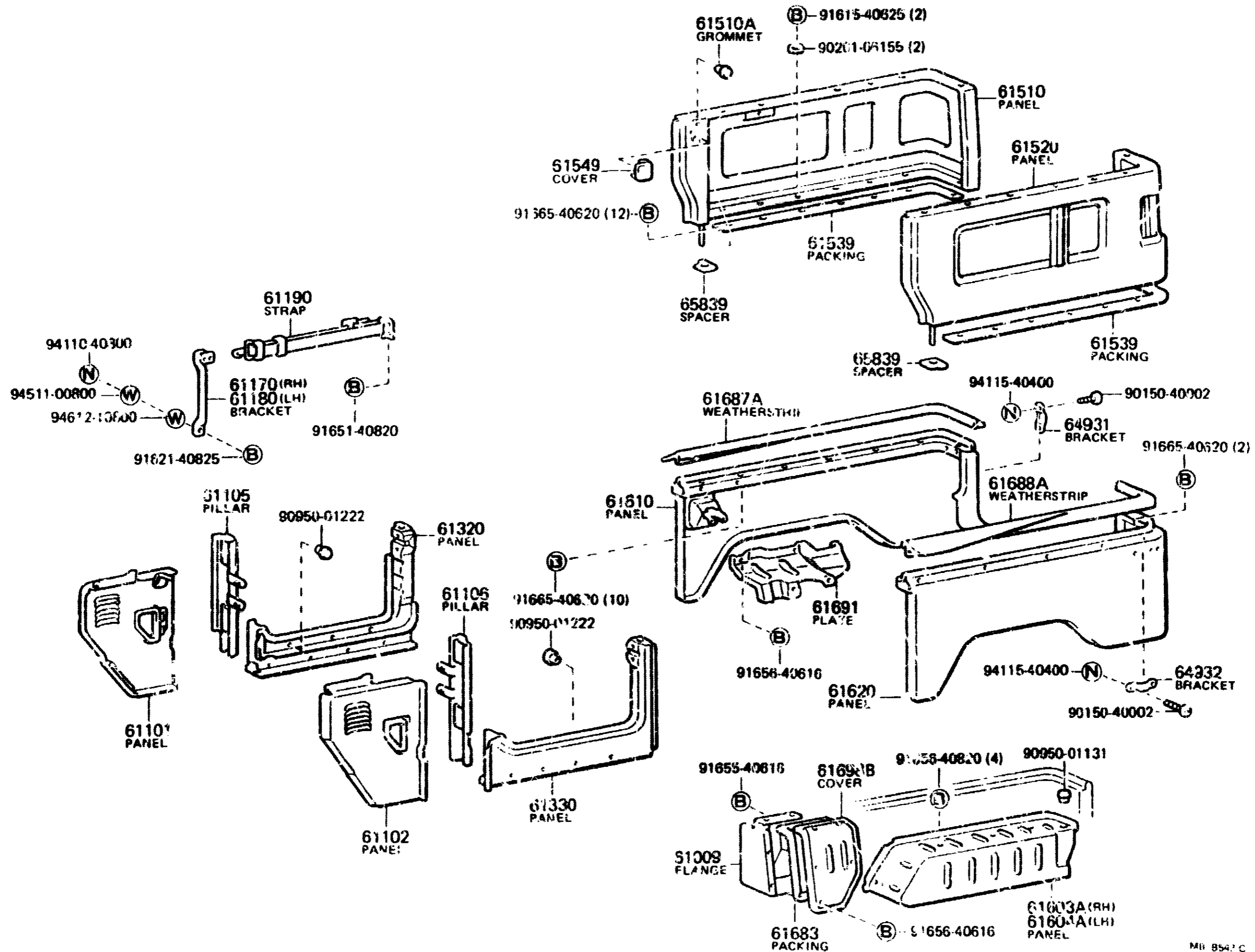
For related part number information can be noted in SST List, Service Bulletin  
and Repair Manual.



PROD. DATE	MODEL S	DESCRIPTION	R/P	PART NUMBER	QTY	REV. REF. CODE		PROD. DATE	MODEL S	DESCRIPTION	R/P	PART NUMBER	QTY	REV. REF. CODE		
						FROM	UP TO							FROM	UP TO	
8008-8309	BJ40	BRACKET SUB-ASSY, ENGINE FRONT MOUNTING, LH		51422-60010-	1	1										
		CONTINUED														
8008-8210	BJ42, FJ40	BRACKET SUB-ASSY, ENGINE REAR MOUNTING		51433-60020-	1	1	18									
		LH		51434-60030-	1	1	18									
8210-8410	BJ42, FJ40	RH		51433-60021-	1	19	80									
8210-8410	BJ42, FJ40	LH		51434-60031-	1	19	80									
8008-8210	BJ42, FJ40	MEMBER, ENGINE REAR MOUNTING		51403-60010-	1	1	18									
				51403-60011-	1	19	80									
8008-8410	BJ42	CROSSMEMBER SUB-ASSY, REAR SHOCK ABSORBER SUPP		51203-60015-	1	1	80									
		ORT		51203-60064-	1	1										
8008-8309	FJ40			51203-60064-	1	1										
8008-8410	BJ42, FJ40	BRACKET, REAR BODY MOUNTING, NO. 1		51701-60020-	2	1	80									
8008-8410	BJ42, FJ40	BRACKET, BODY MOUNTING, NO. 2		51751-60020-	1	1	80									
		RH		51752-60020-	1	1	80									
8008-8410	BJ42, FJ40	LH														
8008-8410	BJ42, FJ40	BRACKET, BODY MOUNTING, NO. 3		51741-60011-	2	1	80									
8008-8410	BJ42, FJ40	BRACKET, BODY MOUNTING, NO. 4		51741-60011-	2	1	80									

PROD. DATE	MODELS	DESCRIPTION	PART NUMBER	REV. REF. CODE		PROD. DATE	MODELS	DESCRIPTION	PART NUMBER	QTY	REV. REF. CODE	
				FROM	UP TO						FROM	UP TO
		53180 SUPPORT ASSY, RADIATOR (CONTINUED)										
008-8309	FJ40..V..USA	W/COOLER	55201-60042-	1	1							
		53180 (W/COOLER RADIATOR SUPPORT)										
8008-8410	BJ42.FJ40		90950-04010-	2	00							
		55101 PANEL SUB-ASSY, DAS										
8003-8210	BJ42		55101-90807-	1	18							
8210-8305	BJ42		55101-90864- (55101-90886- ) (90950-01056- )	1	38							
8305-8410	BJ42		55101-90886-	1	40							
8008-8210	FJ40		55101-90822-	1	18							
8210-8305	FJ40	W/O AIRCON	55101-90838- (55101-90874- ) (90950-01056- )	1	38							
8210-8305	FJ40	W/AIRCON	55101-90849- (55101-90875- ) (90950-01056- )	1	38							
8305-8309	FJ40	W/O AIRCON	55101-90874-	1	39							
8305-8309	FJ40	W/AIRCON	55101-90875-	1	39							
		55142 BRACKET, BLOWER MOTOR, LOWER										
8008-8309	FJ40..USA		55142-90300-	1	1							

(8008- )



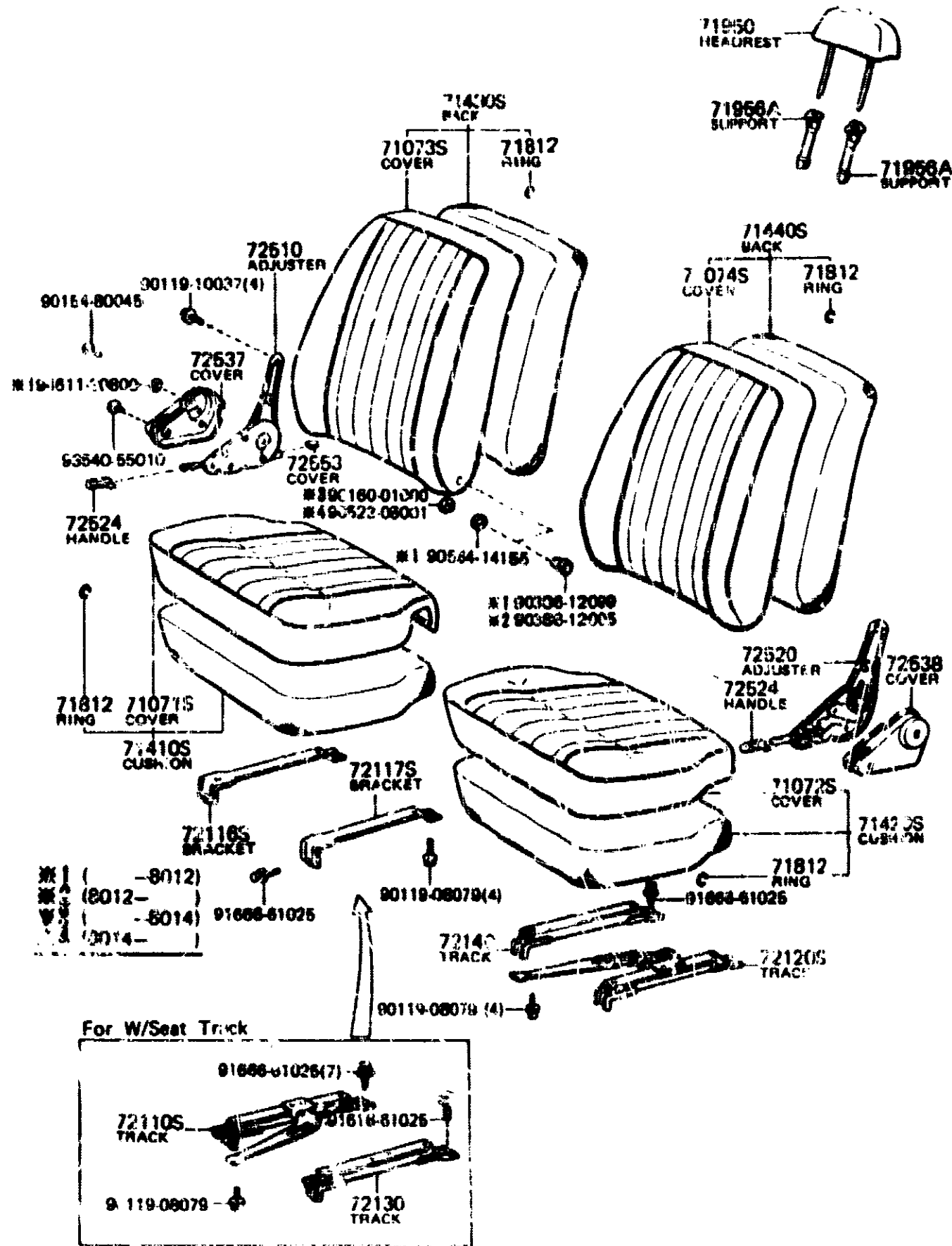
MB 8547 C

PROD. DATE	MODELS	DESCRIPTION	PART NUMBER	QTY	REV. REF. CODE		PROD. DATE	MODELS	DESCRIPTION	PART NUMBER	QTY	REV. REF. CODE	
					FROM	UP TO						FROM	UP TO
		67542 HANDLE, VENTILATING WINDOW LOCK, LH											
8003-7410	BJ42, FJ40		67562-95400-	1	1	80							
		67543 BUTTON, VENTILATING WINDOW LOCK HANDLE PUSH											
8008-8410	BJ42, FJ40		67564-95400-	2	1	80							
		67569 PLATE, DOOR VENTILATING WINDOW HANDLE											
8008-8410	BJ42, FJ40		67569-90300-	2	1	80							
		68121 GLASS, VENT WINDOW, RH											
8008-8410	BJ42, FJ40	XTEM, T=5.0	68121-90302-	1	1	80							
8008-8410	BJ42, FJ40	XTT, T=5.0	68121-90303-	1	1	80							
		68122 GLASS, VENT WINDOW, LH											
8008-8410	BJ42, FJ40	XTEM, T=5.0	68121-90302-	1	1	80							
8008-8410	BJ42, FJ40	XTT, T=5.0	68121-90303-	1	1	80							
		68175 WEATHERSTRIP, VENT WINDOW FRAME, RH											
8008-8410	BJ42, FJ40		68175-90301-	1	1	80							
		68176 WEATHERSTRIP, VENT WINDOW FRAME, LH											
8008-8410	BJ42, FJ40		68175-90301-	1	1	80							
		68181 WEATHERSTRIP, VENT WINDOW, NO.1 RH											
8008-8410	BJ42, FJ40		68181-90300-	1	1	80							
		68182 WEATHERSTRIP, VENT WINDOW, NO.1 LH											
8008-8410	BJ42, FJ40		68182-90300-	1	1	80							

\* TEM=Tempered  
\* TT=Tinted Tempered

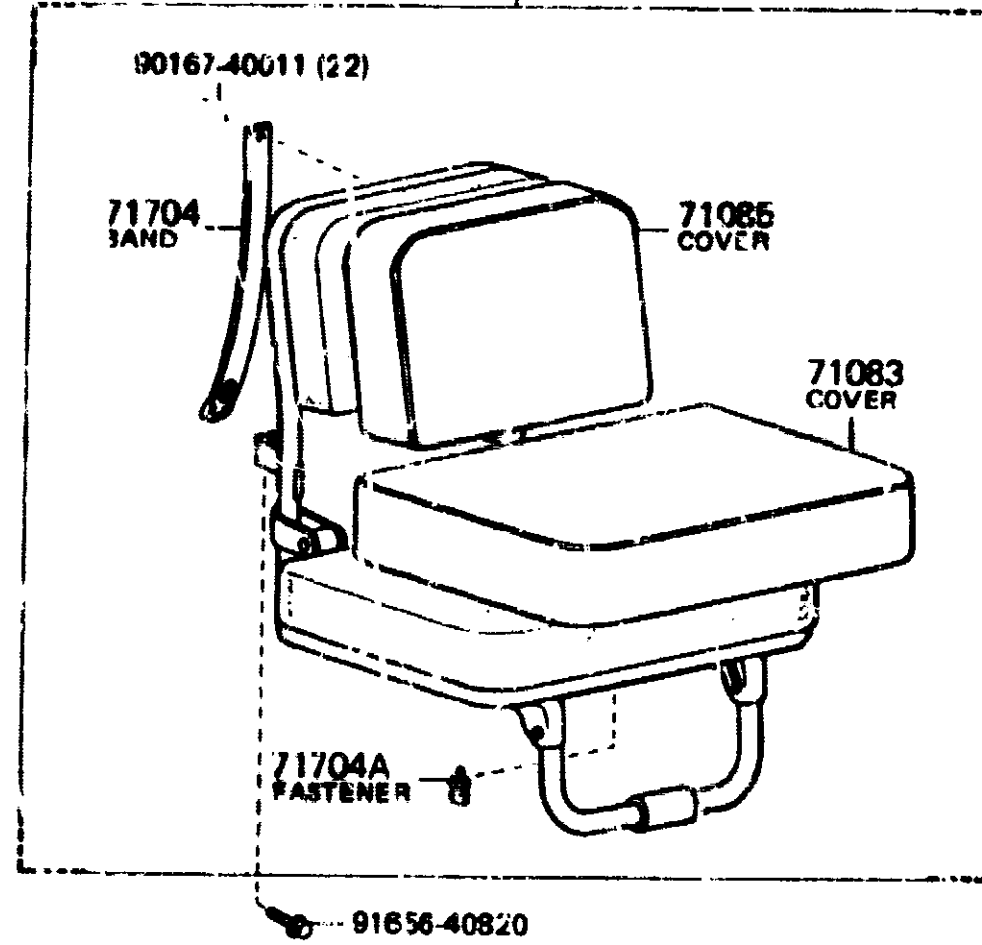
(8005- )

(8008- )



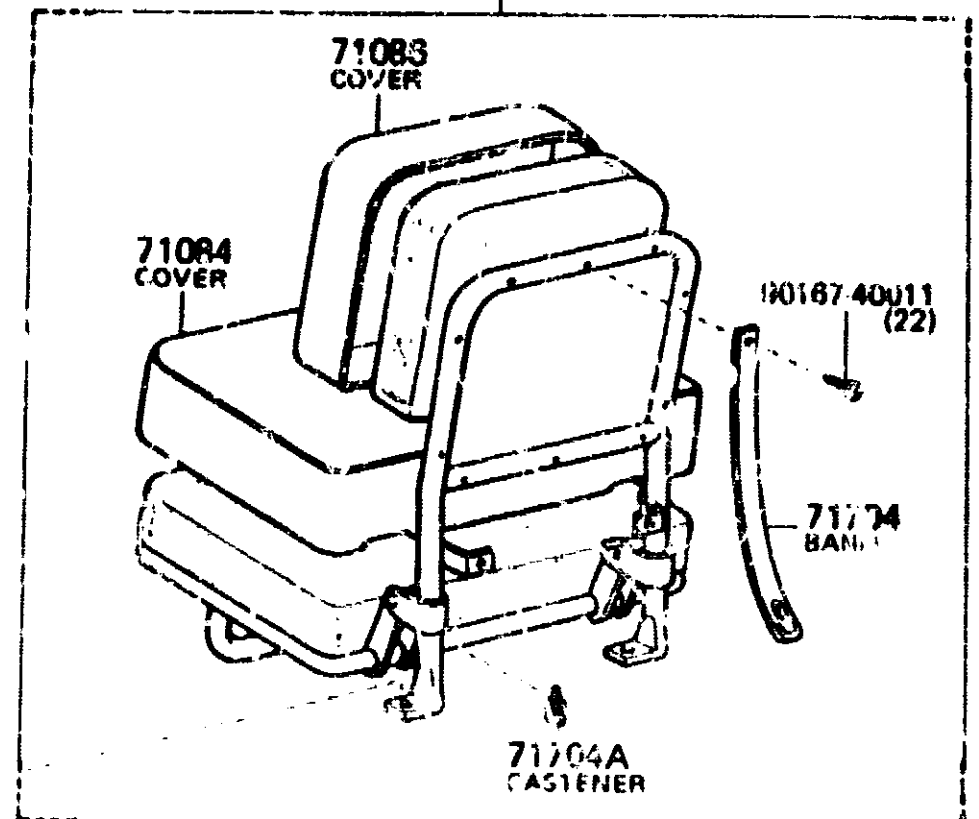
MB 8588 C

71700 SEAT



91656-40820

71800 SEAT



MB 8579 A

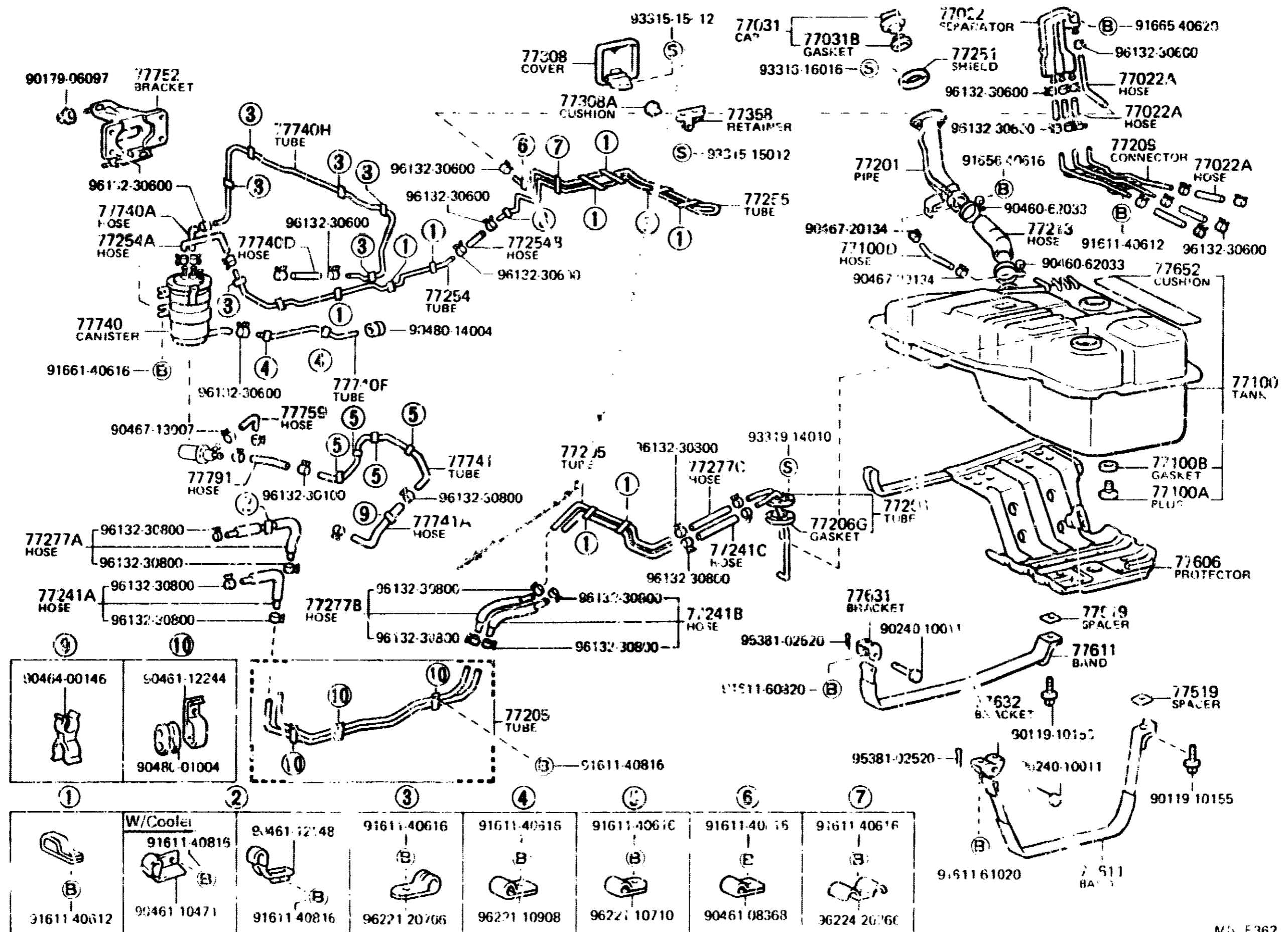
MB 8588 C

MB 8579 A 774-11-0123

FIG. 77-51 FUEL TANK & TUBE

3-B6

(8210-8309) FJ40



①	②	③	④	⑤	⑥	⑦
90464-00146	90461-12244 90480-01004	77205 TUBE	91611-40816	91611-40616	91611-40616	91611-40616
①	W/Cooler 91611-40815	90461-12148	91611-40616	91611-40616	91611-40616	91611-40616
31611-40612	90461-10471	91611-40816	96221-20706	96221-10908	96221-10710	90461-08368

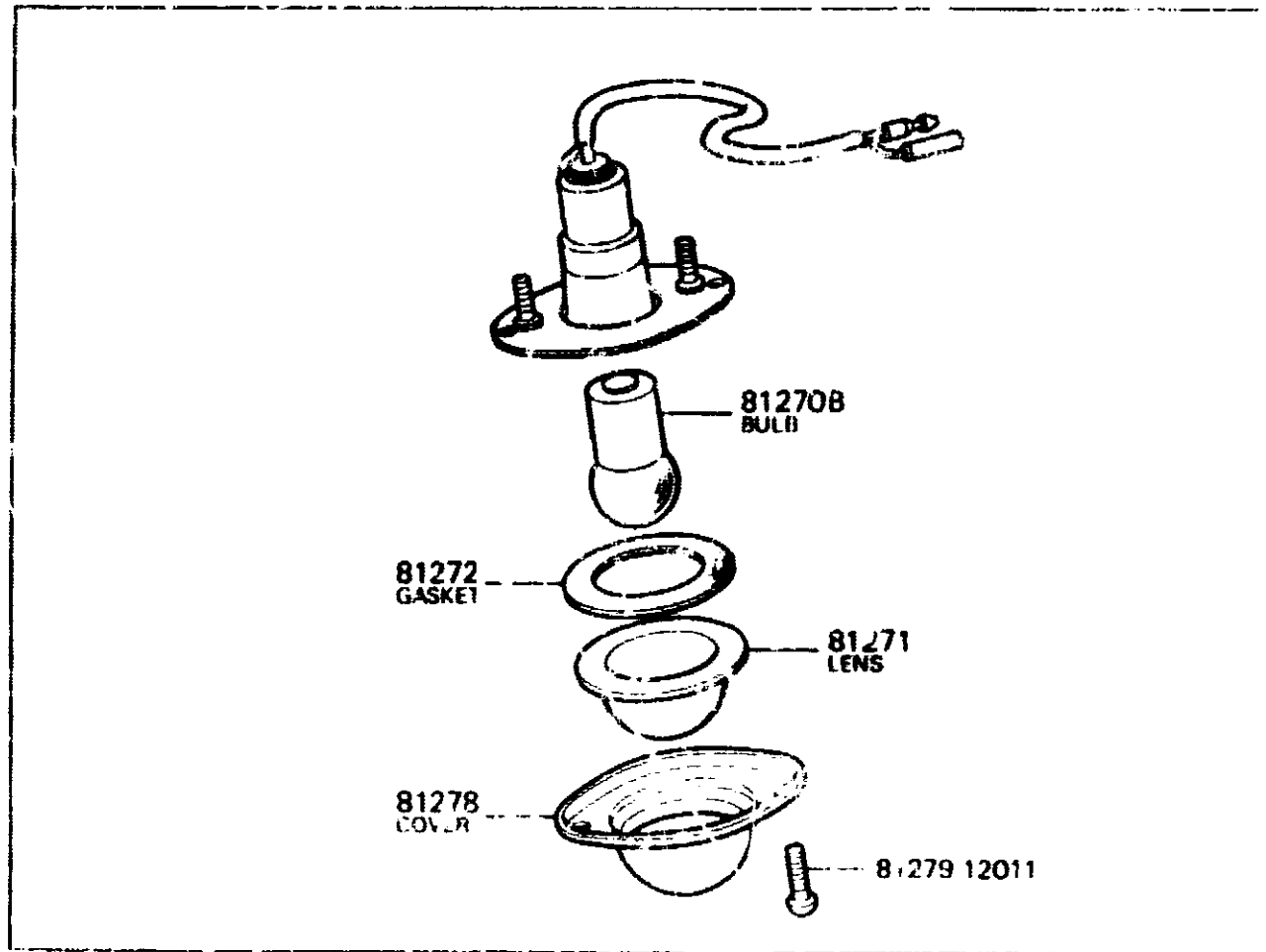
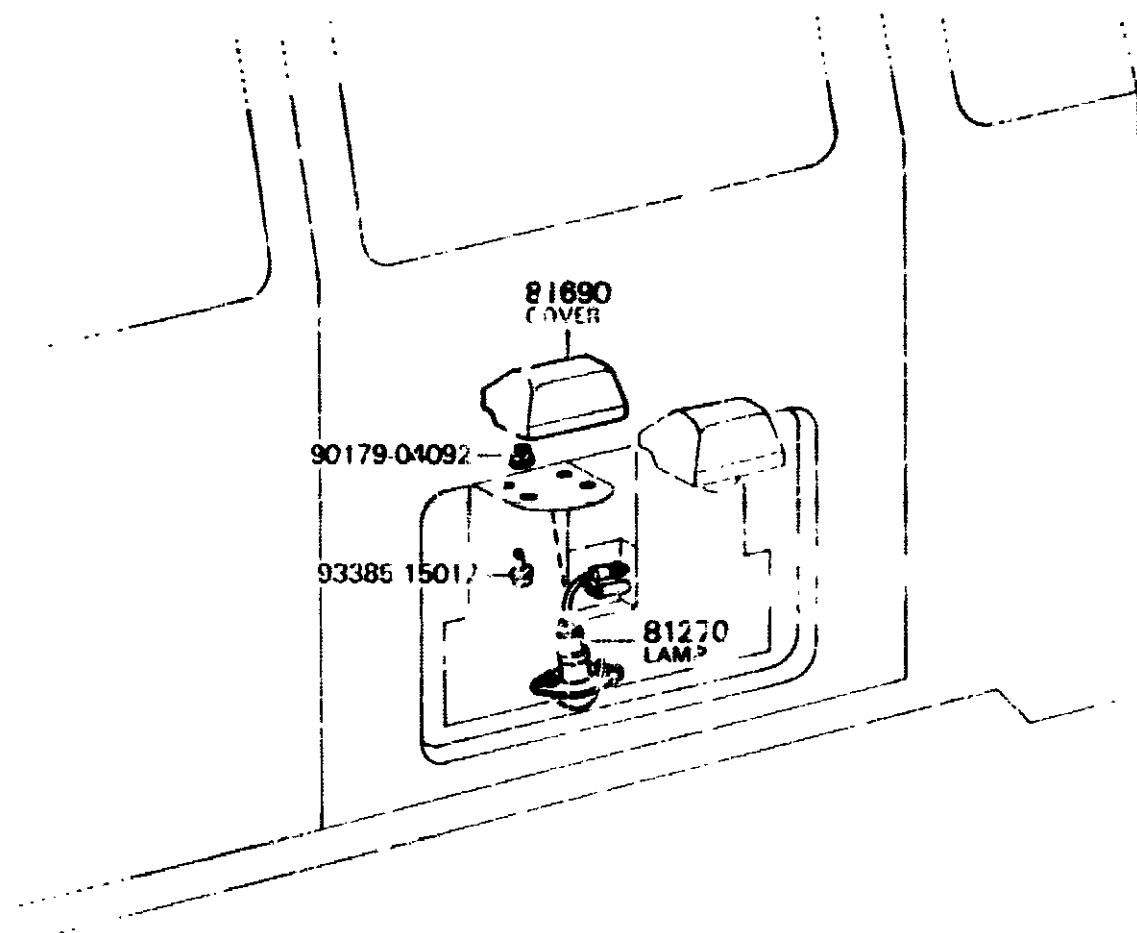
M/E 362

FIG. 81-13 REAR LICENSE PLATE LAMP

3-B7

GENUINE TOYOTA PARTS

(2707)



ME 4189

PRGD. DATE	M O D E L S	DESCRIPTION	PART NUMBER	QTY	REV. REF. CODE	
					FROM	UP TO
FIG.	81-13 REAR LICENSE PLATE LAMP					
	81270	LAMP ASSY, LICENSE PLATE				
8008-8410	BJ42		81270-60071-	2		80
8008-8309	FJ40		81270-60091-	2	1	
	81270B	BULB (FOR LICENSE PLATE LAMP)				
8008-8410	BJ42	24V 10W	90981-15017-	2	1	80
8008-8309	FJ40	12V 7.5W	99132-11075-	2		
	81271	LENS, LICENSE PLATE LAMP				
8008-8410	BJ42, F140		81271-14010-	2	1	80
	81272	GASKET, LICENSE PLATE LAMP LENS				
8008-8410	BJ42, F140		81272-10010-	2	1	80
	81278	COVER, LICENSE PLATE LAMP				
8008-8410	BJ42, F140		81278-60090-	2	1	80
	81690	COVER SUB-ASSY, LICENSE PLATE LAMP				
8008-8410	BJ42, FJ40		81690-90300-	2		80

'8008-

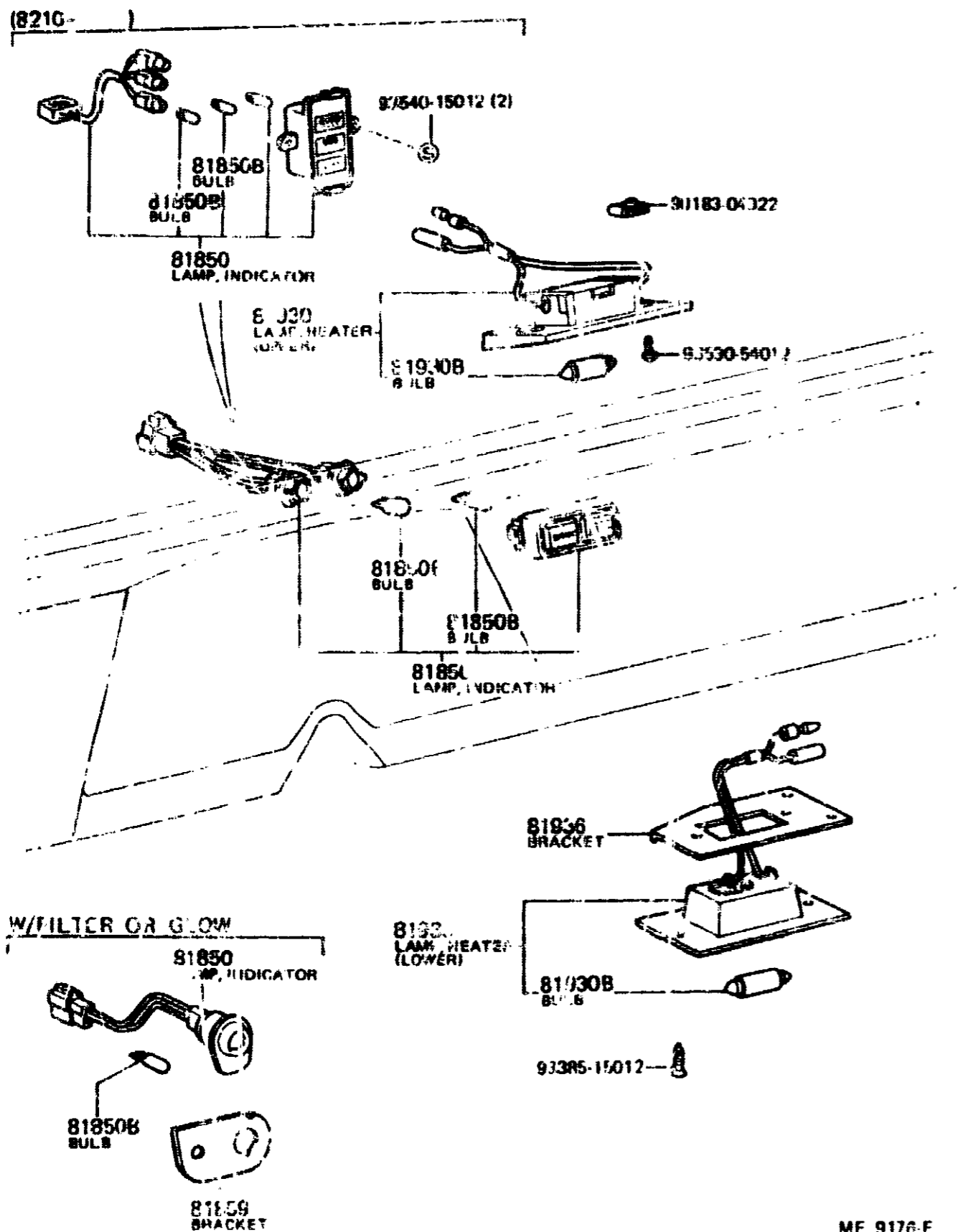


FIG.	MODELS	DESCRIPTION	PART NUMBER	REV. REF. CODE	
				FROM	TO
FIG. 13-02 INDICATOR					
		81850 LAMP ASSY, INDICATOR			
8008-8210	BJ42	FILTER WARNING	81850-34070-	1	1 18
8008-8210	BJ42	BRAKE WARNING	81850-60170-	1	1 18
8110-8410	BJ42	GLOW LAMP	81850-60270-	1	7 80
8210-8410	BJ42	BRAKE WARNING	81850-60360-	1	19 80
8210-8410	BJ42	FILTER WARNING	81850-60440-	1	19 80
8008-8110	FJ40	BRAKE WARNING	81850-60500-	1	1 18
8210-8309	FJ40	BRAKE WARNING	81850-60350-	1	19 80
		81850B BULB, INDICATOR LAMP			
8008-8210	BJ42	24V 3W, FILTER WARNING	99134-11030-	1	1 18
8008-8210	BJ42	24V 3W, BRAKE WARNING	99134-12030-	2	1 18
8110-8410	BJ42	24V 3W, GLOW LAMP INDICATOR		1	7 80
8210-8410	BJ42	24V 1.2W, BRAKE WARNING	90981-11022-	3	19 80
8210-8410	BJ42	24V 3.4W, FILTER WARNING	99134-12034-	1	19 80
8008-8210	FJ40	12V 3.4W, BRAKE WARNING	99132-12034-	2	1 80
8210-8309	FJ40	12V 1.2W, BRAKE WARNING	90981-11018-	7	19 80
		81859 BRACKET, INDICATOR			
8008-8210	BJ42	FILTER	81943-90301-	1	1 18
		81930 LAMP ASSY, HEATER CONTROL INDICATOR, UPR			
8008-8110	BJ42, FJ40		81930-20011-	1	1 80



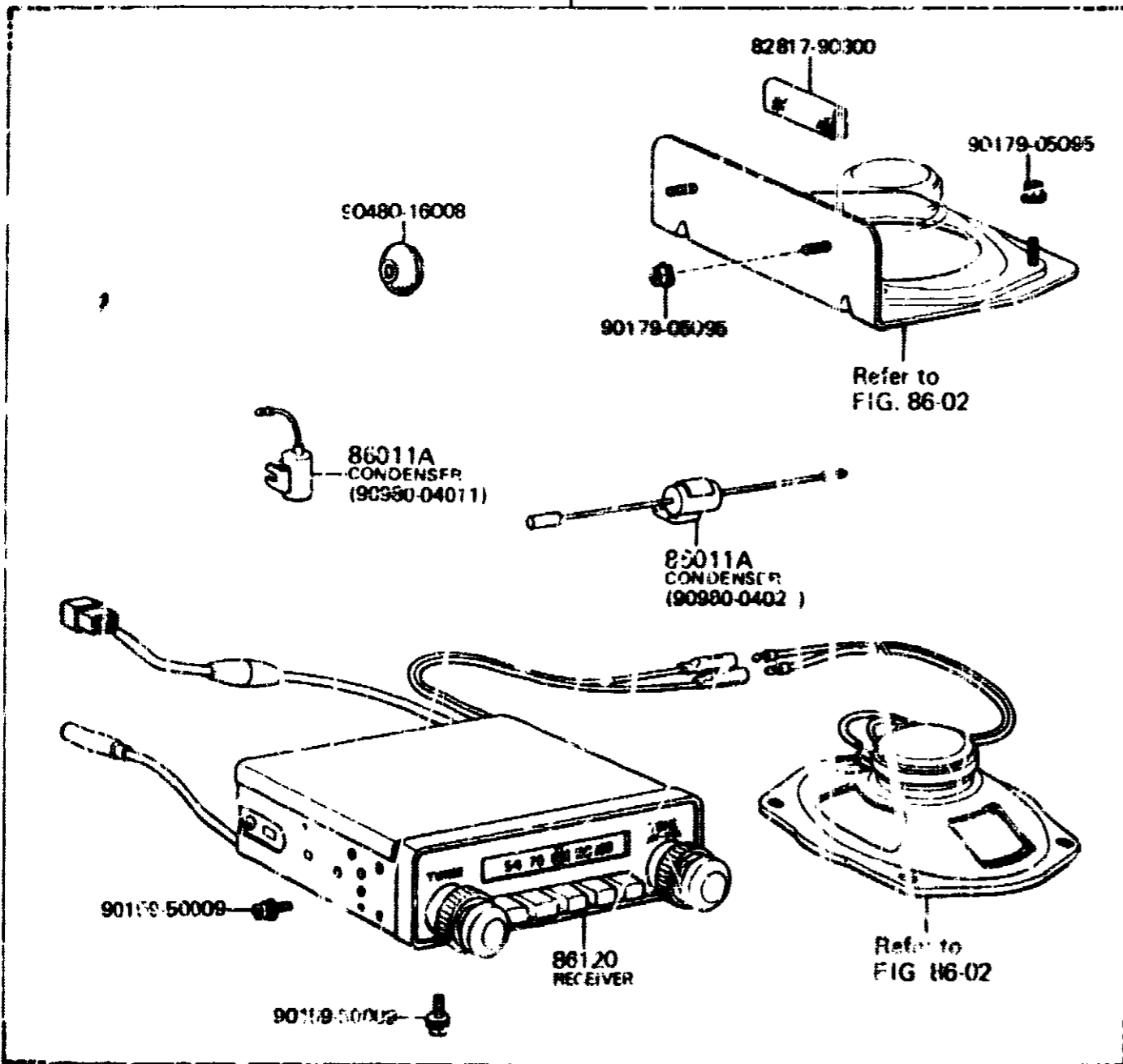
FIG. 86-01 RADIO & TAPE PLAYER

3-B9

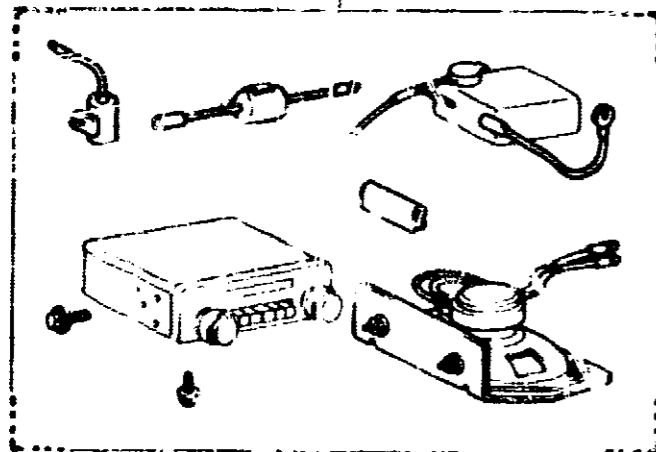
(8008-8210)FJ40

(8008-8210)BJ42

86011  
RADIO & SETTING PART SET



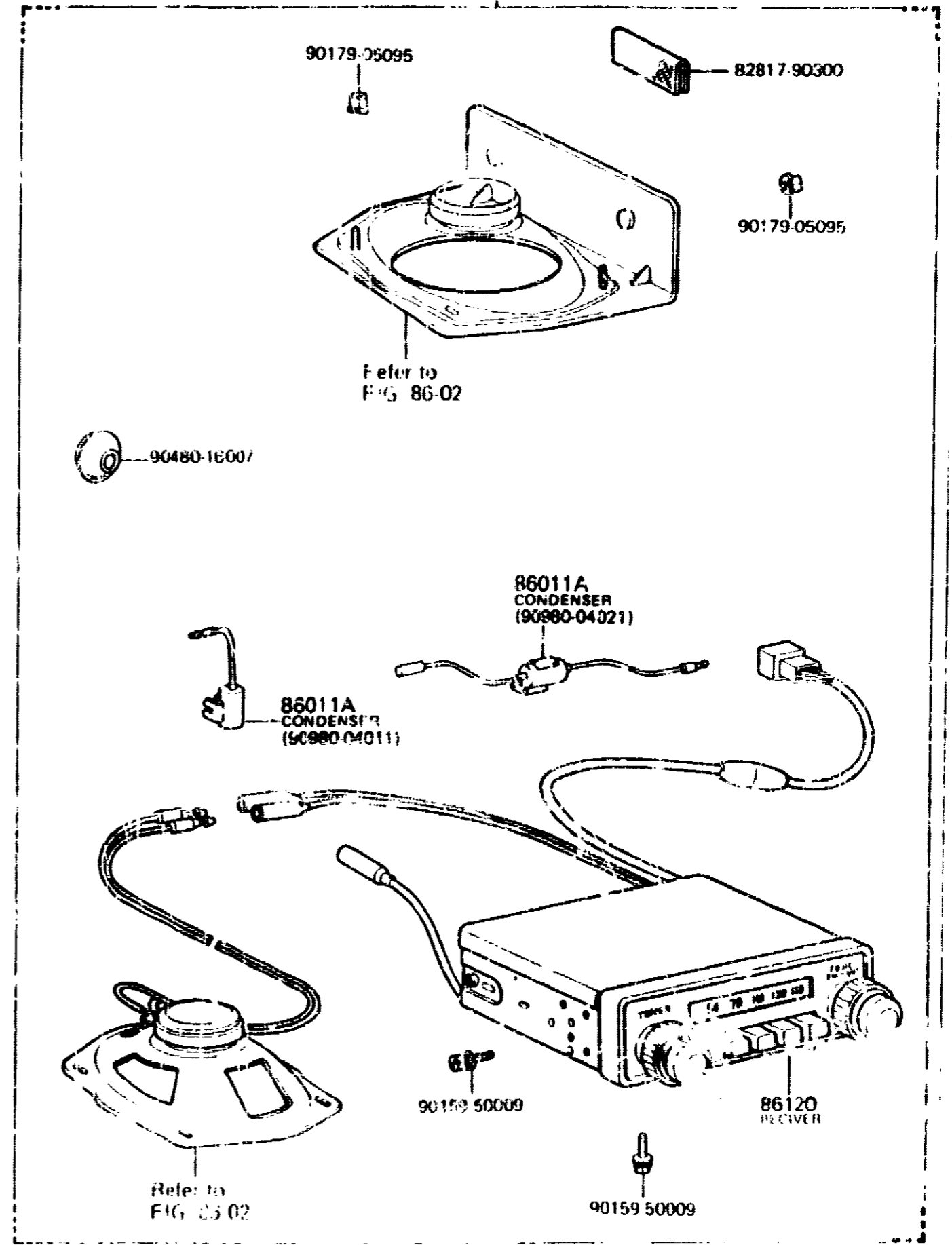
86112  
PART SET RADIO SETTING



ME 316 D

AM

86011  
RADIO & SETTING PART SET



ME F801

ME9316D

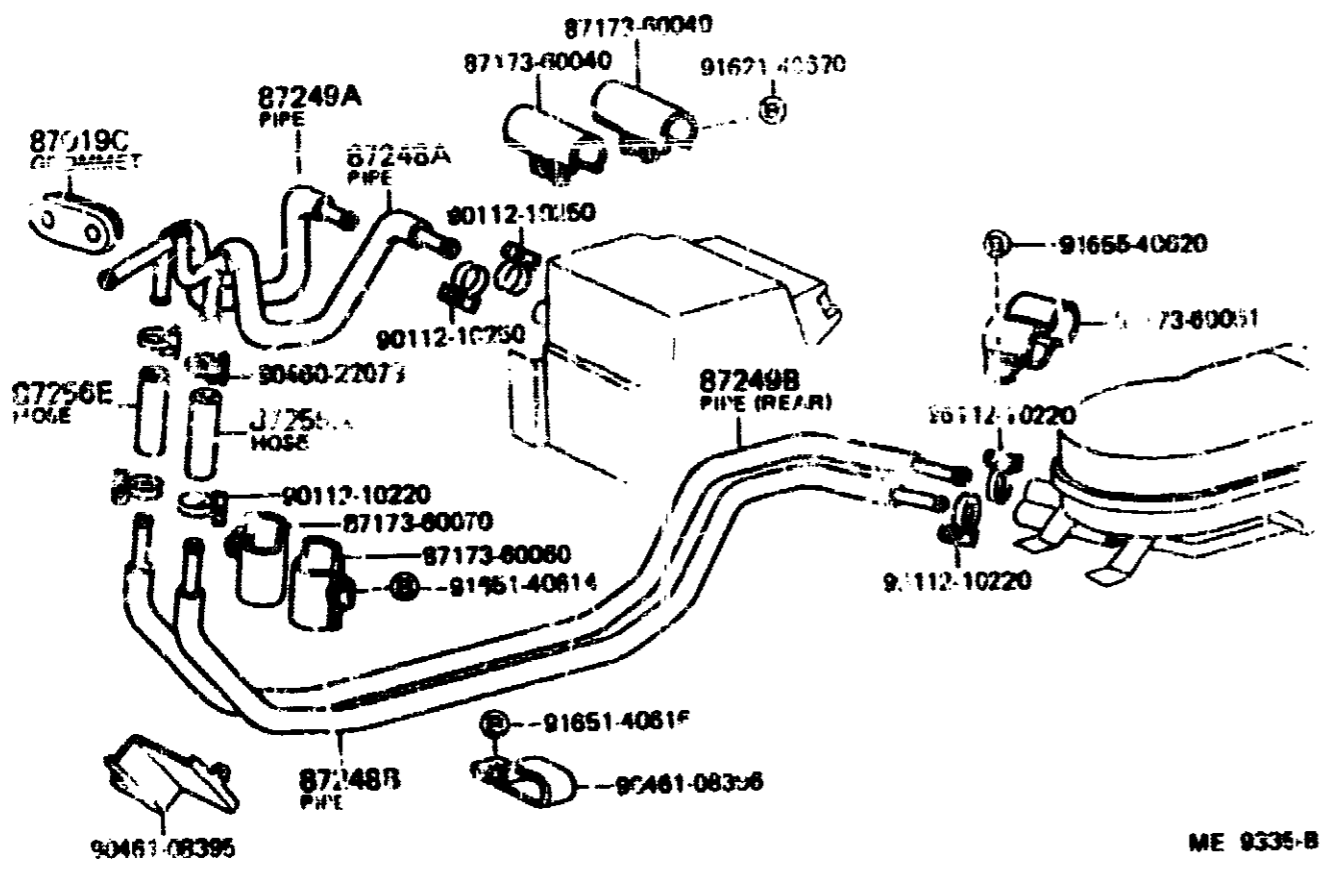
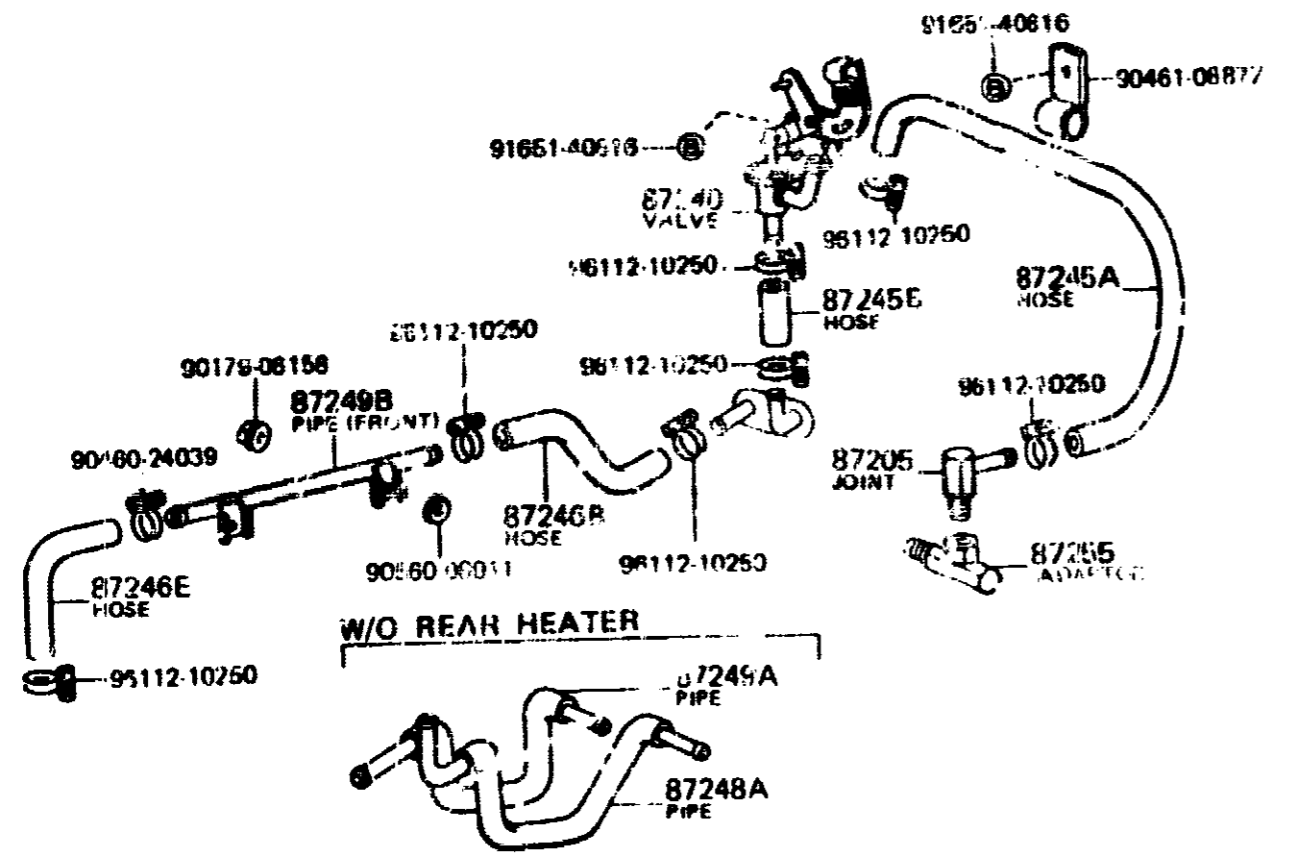
MEF 311 474-11-0187

# FIG. 87-16 HEATING & AIR CONDITIONING - WATER PIPING

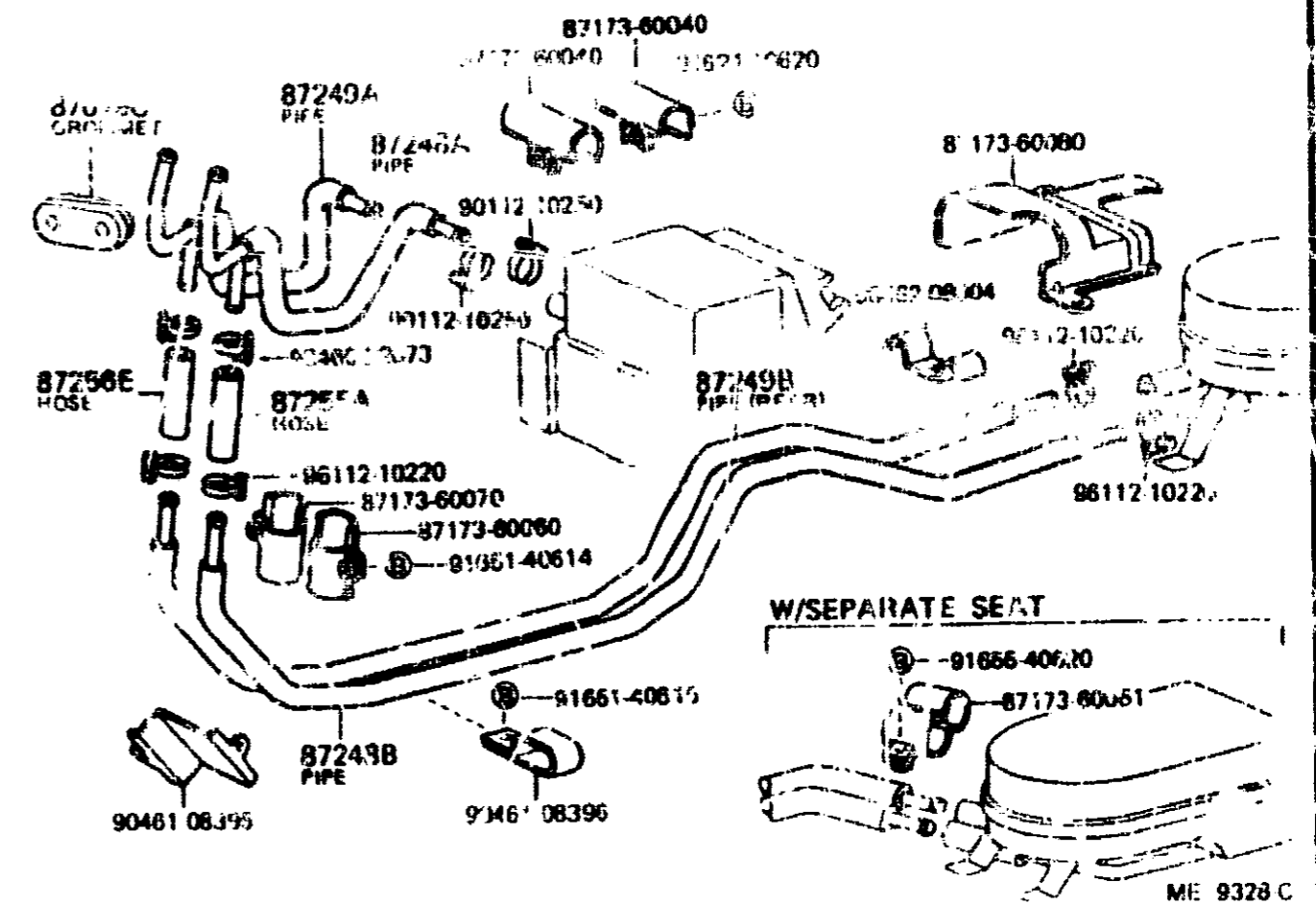
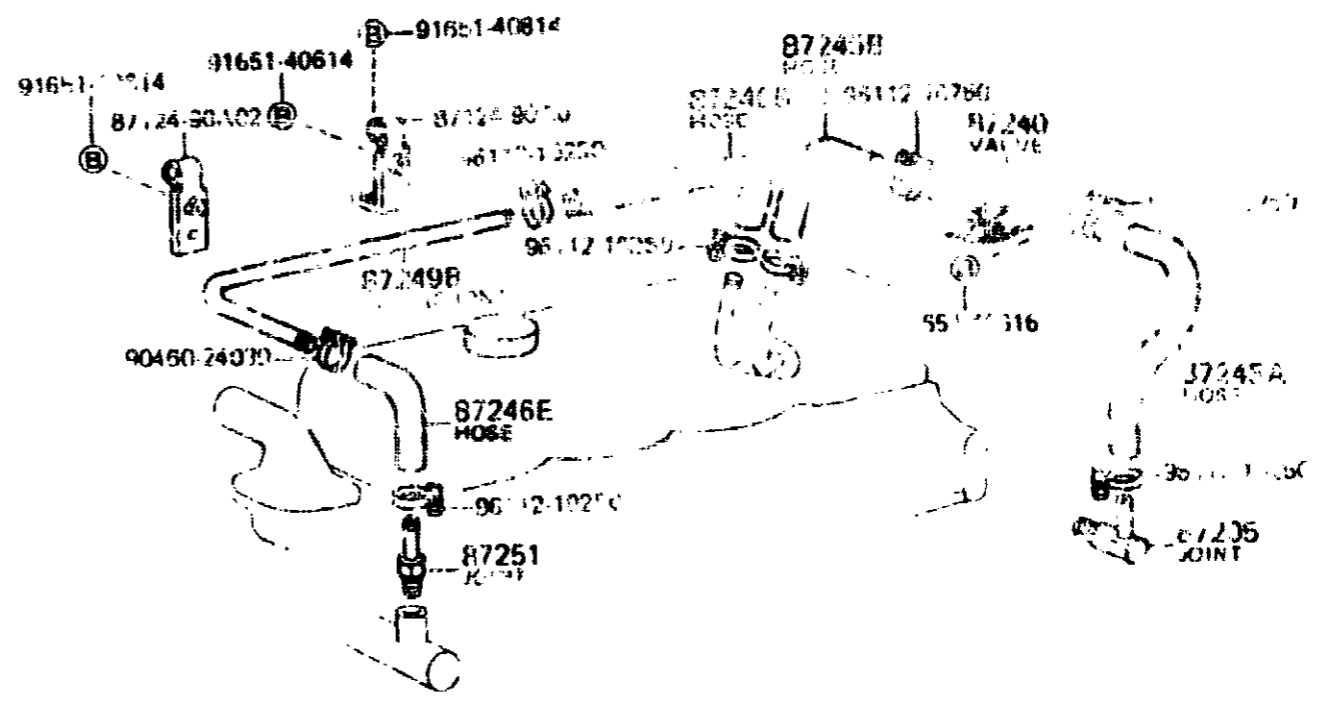
## 3-B10

(8005-8309)FJ40

(8008-18J42



ME 9335-B



ME 9328 C

BATTERY - BELT

B12

BEZEL - BOLT

PART	NAME	LOCATION
BATTERY		3-G7
BEARING (FOR ADJUSTER PLUG)		2-15
BEARING (FOR ALTERNATOR DRIVE END FRAME)		1-C6
BEARING (FOR ALTERNATOR ROTOR)		1-C6
BEARING (FOR COUNTER 5TH GEAR)		2-D2
BEARING (FOR INJECTION CAMSHAFT)		1-17
BEARING (FOR INPUT SHAFT FRONT)		2-B2
BEARING (FOR INPUT SHAFT)		2-B1
BEARING (FOR OUTPUT SHAFT CENTER)		2-B2
BEARING (FOR OUTPUT SHAFT REAR)		2-B2
BEARING (FOR STEERING KNUCKLE ARM)		2-B8
BEARING (FOR STEERING WORM)		2-J5
BEARING (FOR TIMER HUB)		1-C8
BEARING (FOR TRANSFER IDLER GEAR)		2-B3
BEARING (FOR TRANSFER OUTPUT FRONT SHAFT)		2-C3
BEARING (FOR WINCH MOTOR ARMATURE)		2-A4
BEARING (FOR 1ST GEAR NEEDLE)		2-C2
BEARING OR ROLLER (FOR COUNTER GEAR FRONT)		2-C2
BEARING OR ROLLER (FOR COUNTER GEAR REAR)		2-D2
BEARING SET, CAMSHAFT		1-K2
BEARING SET, CONNECTING ROD		1-G2
BEARING SET, CRANKSHAFT		1-G2
BEARING SUB-ASSY		1-M7
BEARING SUB-ASSY, CENTER		1-M6
BEARING (FOR REAR AXLE SHAFT)		2-14
BEARING, ACCELERATOR PEDAL ROD SUPPORT		3-16
BEARING, BALL (FOR CLUTCH RELEASE HUB)		2-B1
BEARING, CENTER FOR CRANKSHAFT, FRONT		3-110
BEARING, COMPRESSOR CRANKSHAFT, REAR		3-110
BEARING, CONNECTING ROD		1-G2
BEARING, CRANKSHAFT		1-G2
BEARING, FRONT AXLE DIFFERENTIAL		2-A5
BEARING, FRONT AXLE DRIVE PINION, FRONT		2-B5
BEARING, FRONT AXLE DRIVE PINION, REAR		2-B5
BEARING, GEAR THRUST		2-M3
BEARING, INJECTION PUMP GEAR THRUST		1-A2
BEARING, MAGNET CLUTCH		3-J10
BEARING, NEEDLE ROLLER (FOR POWER STEERING GEAR HOUSING)		2-H5
BEARING, NEEDLE ROLLER (FOR TRANSFER OUTPUT SHAFT FRONT)		2-C3
BEARING, NEEDLE ROLLER (FOR 2ND GEAR)		2-B2
BEARING, RADIAL BALL (FOR TRANSFER INPUT GEAR)		2-B3
BEARING, STARTER ARMATURE		1-H6
BEARING, TAPERED ROLLER (FOR TRANSFER OUTPUT SHAFT)		2-C3
BEARING, TAPERED ROLLER (FOR FRONT AXLE INNER BEARING)		2-D5
BEARING, TAPERED ROLLER (FOR FRONT AXLE OUTER BEARING)		2-D5
BEARING, TAPERED ROLLER (FOR REAR AXLE INNER BEARING)		2-14
BEARING, TAPERED ROLLER (FOR REAR AXLE OUTER BEARING)		2-14
BEARING, TAPERED ROLLER (FOR REAR DIFFERENTIAL CASE)		2-E7
BEARING, TAPERED ROLLER (FOR REAR DRIVE PINION FRONT)		2-E4
BEARING, TAPERED ROLLER (FOR REAR DRIVE PINION REAR)		2-D5
BEARING, THRUST NEEDLE ROLLER (FOR STEERING WORM)		2-H5
BEARING, UNIVERSAL JOINT SPIDER		2-G3
BEARING, WATER PUMP		1-3
BEARING, RADIAL BALL (FOR STEERING MAIN SHAFT)		2-J5
BELLOWS ASSY, PNEUMATIC		1-L7
BELT ASSY, FRONT SEAT INNER, LH		3-E5
BELT ASSY, FRONT SEAT INNER, RH		3-E5
BELT ASSY, FRONT SEAT OUTER, LH		3-E5
BELT ASSY, FRONT SEAT OUTER, RH		3-E5
BELT SUB-ASSY, SIDE SEAT, NO.1		3-E5
BELT, V (FOR AIR PUMP)		1-A5
BELT, V (FOR COOLER COMPRESSOR TO CRANKSHAFT PULLEY)		3-110
BELT, V (FOR FAN AND GENERATOR)		1-A4
BELT, V (FOR VANE PUMP)		2-D6

PART	NAME	LOCATION
BEZEL, CIGAR LIGHTER HOLE		3-D2
BEZEL, FRONT DOOR INSIDE HANDLE		3-C4
BLADE ASSY, WINDSHIELD WIPER		3-K8
BLADE, VACUUM PUMP, A		1-16
BLEEDER SUB-ASSY, AIR		1-H7
BLOCK ASSY, JUNCTION		3-K7
BLOCK ASSY, SHORT		1-D1
BLOCK SUB-ASSY, CYLINDER		2-J1
BLOCK, BEARING (FOR STEERING FLEXIBLE COUPLING)		2-A5
BLOCK, FEED PUMP TAPPET SLIDING		1-B8
BLOCK, WINDSHIELD REST		3-K1
BLOWER ASSY, HEATER, FRONT		3-K9
BOARD SUB-ASSY, FRONT DOOR TRIM, LH		3-L3
BOARD SUB-ASSY, FRONT DOOR TRIM, RH		3-L3
BODY SUB-ASSY, FUEL FILTER		1-F8
BODY, BOOSTER VALVE		2-C7
BODY, RADIATOR DRAIN CUCK		1-A4
BOLT (FOR BACKING PLATE TO REAR AXLE HOUSING SETTING)		2-G7
BOLT (FOR BODY MOUNT NO.1 CUSHION)		3-F1
BOLT (FOR BODY MOUNT NO.2 CUSHION)		3-F1
BOLT (FOR BODY MOUNT NO.5 CUSHION)		3-G1
BOLT (FOR BRAKE MASTER CYLINDER)		2-M6
BOLT (FOR CLUTCH PEDAL STOPPER)		2-D1
BOLT (FOR CLUTCH RELEASE CYLINDER SETTING)		2-C1
BOLT (FOR CRANKSHAFT BEARING CAP SET)		1-J1
BOLT (FOR CRANKSHAFT PULLEY SET)		1-H2
BOLT (FOR CYLINDER HEAD SET)		1-G1
BOLT (FOR DUST COVER TO STEERING KNUCKLE ARM SETTING)		2-F7
BOLT (FOR EGR PIPE CLAMP)		1-18
BOLT (FOR REAR DIFFERENTIAL CARRIER SET)		2-D4
BOLT (FOR REAR RING GEAR SET)		2-E4
BOLT (FOR POCKER SUPPORT SET)		1-L2
BOLT (FOR STEERING CENTER ARM)		2-H6
BOLT (FOR 5TH SHIFT ARM)		2-F2
BOLT OR NUT, HAZARD WARNING SIGNAL SWITCH SET		3-G0
BOLT OR NUT, LIGHT CONTROL SWITCH SET		3-F8
BOLT OR NUT, WINDSHIELD WIPER SWITCH SET		3-G8
BOLT OR RING, EXHAUST PIPE CENTER (FOR FRONT)		1-14
BOLT OR RING, EXHAUST PIPE FRONT (FOR REAR)		1-H4
BOLT, CLUTCH MASTER CYLINDER RESERVOIR SET		2-E1
BOLT, CONNECTING ROD		1-H2
BOLT, DIAPHRAGM CONNECTING		1-L7
BOLT, DIAPHRAGM CONNECTING, NO.2		1-L7
BOLT, FLYWHEEL SET		1-H2
BOLT, FRONT AXLE DIFFERENTIAL BEARING CAP		2-A5
BOLT, FRONT SPRING, CENTER		2-D8
BOLT, FUSE		3-F10
BOLT, HEXAGON (FOR AIR PUMP BRACKET SETTING)		1-A5
BOLT, HEXAGON (FOR FRONT CALIPER)		2-E7
BOLT, HEXAGON (FOR IDLE GEAR BOLT LOCK)		1-12
BOLT, HEXAGON (FOR PROPELLER SHAFT SETTING)		2-G3
BOLT, HUB (FOR FRONT AXLE)		2-D5
BOLT, HUB (FOR REAR AXLE)		2-17
BOLT, MASTER CYLINDER RESERVOIR SET		2-A7
BOLT, REAR DIFFERENTIAL BEARING CAP		2-D4
BOLT, REAR GATE CHAIN SET		1-J4
BOLT, REAR SPRING, CENTER		2-G8
BOLT, RING GEAR SET		2-B5
BOLT, ROUND HEAD SQUARE NECK (FOR FRONT BUMPER)		3-H1
BOLT, ROUND HEXAGON		2-A8
BOLT, SERRETION (FOR TRANSFER OUTPUT SHAFT COMPANION FLANGE)		2-12
BOLT, SERVICE VALVE		3-110
BOLT, SET (FOR REAR BRAKE DRUM SETTING)		2-14
BOLT, SET (FOR SHIFT & SELECT LEVER)		2-G2

B13

PUMP - RETAINER

RETAINER - RING

PART	NAME	LOCATION
PUMP ASSY, WATER, W/O COUPLING		1-13
PUMP KIT, WATER		1-13
PUMP SUB-ASSY, PRIMING		1-A8
RACE SUB-ASSY, CLUTCH OUTER		2-L3
RACE, GEAR THRUST BEARING		2-M3
PACK, CONTROL		1-H7
RADIATOR ASSY		1-A4
RADIATOR ASSY, HEATER		1-K9
RADIO AND SETTING PARTS SET		3-C9
RAIL, WINDSHIELD FRAME, UPPER		3-72
RECEIVER AND DRYER ASSY, COOLER		3-F10
RECEIVER ASSY, RADIO		3-C9
RECEIVER, TRANSFER OIL (FOR TRANSFER IDLER GEAR)		2-B3
RECEIVER, TRANSFER OIL, NO.1		2-M2
RECEPTACLE ASSY, INSTRUMENT PANEL ASH		3-J5
RECEPTACLE ASSY, REAR ASH		3-J5
RECTIFIER ASSY, W/BRUSH		1-C6
REED SUB-ASSY, VALVE		3-J10
REED, SUCTION VALVE		3-J10
REFLECTOR ASSY, REFLEX, LH		3-D7
REFLECTOR ASSY, REFLEX, RH		3-D7
REGULATOR ASSY, GENERATOR		3-E8
REGULATOR SUB-ASSY, FRONT DOOR WINDOW, LH		3-E4
REGULATOR SUB-ASSY, FRONT DOOR WINDOW, RH		3-E4
REINFORCEMENT, DUST COVER, LH		2-F7
REINFORCEMENT, DUST COVER, RH		2-F7
REINFORCEMENT, FRONT BUMPER		3-H7
REINFORCEMENT, ROOF PANEL, REAR		3-G3
RELAY ASSY, COOLER		3-M9
RELAY ASSY, FUEL CONTROL		3-18
RELAY ASSY, GLOW PLUG		3-E8
RELAY ASSY, STARTER		3-E8
RELAY OR COMPUTER ASSY, SEAT BELT WARNING		3-H8
RELAY, COOLING FAN		3-H8
RELAY, HEADLAMP DIMMER		3-H8
REPLACER, WHEEL CAP		1-B1
RESERVOIR SET, BRAKE MASTER CYLINDER, NO.2 (FOR REAR SIDE)		2-M6
RESERVOIR SET, MASTER CYLINDER (FOR CLUTCH MASTER CYLINDER)		2-E1
RESERVOIR SUB-ASSY, VACUUM		2-D7
RESERVOIR, OIL (FOR VANE PUMP)		2-B6
RESISTANCE ASSY, CIGARETTE LIGHTER		3-G8
RESISTOR ASSY, PILOT LAMP		3-G8
RESISTOR, COOLER UNIT BLOWER		3-M9
RESISTOR, GLOW PLUG		3-E8
RESISTOR, HEATER BLOWER		3-K9
REST SUB-ASSY, JACK		3-M5
RETAINER SUB-ASSY, ASH RECEPTACLE, NO.1		3-J5
RETAINER SUB-ASSY, CONTROL SHIFT LEVER		2-J2
RETAINER, BACK DOOR HINGE		3-J4
RETAINER, BOOSTER AIR CLEANER		2-C7
RETAINER, CABLE		2-K6
RETAINER, CHECK BALL		1-C7
RETAINER, DOOR OUTSIDE HANDLE		3-C4
RETAINER, ENGINE REAR OIL SEAL		1-A2
RETAINER, FRONT SHOCK ABSORBER CUSHION, NO.1		2-E8
RETAINER, FRONT SHOCK ABSORBER CUSHION, NO.2		2-E8
RETAINER, FUEL INLET CUSHION		3-F6
RETAINER, GLOVE COMPARTMENT MALE		3-E2
RETAINER, INSTRUMENT PANEL LOWER PAD SET		3-D2
RETAINER, MAIN SHAFT BEARING		2-K5
RETAINER, MAIN SHAFT SPRING		2-J5
RETAINER, OUTPUT SHAFT BEARING, FRONT		2-M2
RETAINER, OUTPUT SHAFT BEARING, REAR NO.1		2-M2
RETAINER, OUTPUT SHAFT REAR BEARING		2-K5

PART	NAME	LOCATION
RETAINER, QUARTER OR SIDE WINDOW HINGE		3-E3
RETAINER, ROOF SIDE VENT DUCT, LH		3-H3
RETAINER, ROOF SIDE VENT DUCT, RH		3-43
RETAINER, SAFETY PAD SET PLATE		3-112
RETAINER, SHIFT LEVER BOOT		3-C2
RETAINER, SHIFT SHAFT		2-K3
RETAINER, SHOCK ABSORBER COVER		3-L1
RETAINER, SIDE WINDOW LOCK		3-F3
RETAINER, STARTER IDLER GEAR		1-H6
RETAINER, TRANSMISSION BEARING, FRONT		2-K1
RETAINER, VALVE SPRING		1-K2
RIM, REAR SIDE MARKER LAMP, LH		3-C7
RIM, REAR SIDE MARKER LAMP, RH		3-C7
RING (FOR BRAKE MASTER CYLINDER RESERVOIR, NO.1)		2-M6
RING (FOR POWER PISTON NUT)		2-15
RING (FOR POWER STEERING GEAR HOUSING)		2-H5
RING (FOR STEERING WORM)		2-H5
RING (FOR VALVE HOUSING)		2-H5
RING SET, PISTON		1-G2
RING SUB-ASSY, SYNCHRONIZER, NO.1		2-B2
RING, CAMSHAFT ADJUST		1-17
RING, CHOKE		3-16
RING, CLAMP (FOR DRIVE GEAR)		1-C8
RING, CLUTCH OUTER RACE SNAP		2-L3
RING, COUNTER GEAR FRONT BEARING SNAP, NO.1		2-C2
RING, DISTRIBUTOR HOUSING O		1-L5
RING, DRIVE SHAFT SNAP		2-D5
RING, E (FOR CLUTCH HUB SHIFT SHAFT)		2-L3
RING, E (FOR REAR BRAKE)		2-H7
RING, E (FOR REVERSE & 5TH SHIFT HEAD)		2-G2
RING, E (FOR REVERSE SHIFT FORK SHAFT)		2-G2
RING, F (FOR WINCH INPUT SHAFT)		2-L3
RING, EXHAUST MANIFOLD		1-E4
RING, FEED PUMP TAPPET SNAP		1-B8
RING, FIXED (FOR VANE PUMP)		2-A6
RING, FREE WHEEL HUB		2-E5
RING, HOG, SMALL		3-C5
RING, HOLE SNAP (FOR DUST COVER)		2-J5
RING, HOLE SNAP (FOR PISTON PIN)		1-G2
RING, HOLE SNAP (FOR POWER STEERING GEAR HOUSING)		2-H5
RING, HOLE SNAP (FOR SPIDER BEARING)		2-G3
RING, HOLE SNAP (FOR TRANSFER OUTPUT FRONT BEARING)		2-C3
RING, HORN CONTACT		2-F6
RING, O		1-G3
RING, O (FOR ADJUSTER PLUG)		2-15
RING, O (FOR AIR VENT PLUG)		1-F8
RING, O (FOR BRAKE SHAFT)		2-L3
RING, O (FOR CLUTCH HUB SHIFT SHAFT)		2-L3
RING, O (FOR COUNTER SHAFT)		2-K3
RING, O (FOR DUST COVER)		2-J5
RING, O (FOR FLOW CONTROL SPRING SEAT)		2-B6
RING, O (FOR FUEL FEED PUMP)		1-A8
RING, O (FOR MANUAL TRANSMISSION SPEEDOMETER SHAFT SLEEVE)		2-L1
RING, O (FOR NO.3 LEVER)		1-L7
RING, O (FOR POWER PISTON NUT)		2-15
RING, O (FOR POWER STEERING GEAR HOUSING)		2-H5
RING, O (FOR PUMP HOUSING)		2-M5
RING, O (FOR SHIFT ARM PIVOT)		2-F2
RING, O (FOR SIDE COVER)		2-15
RING, O (FOR SOLENOID VALVE)		1-D7
RING, O (FOR STEERING WORM)		2-H5
RING, O (FOR TIGHT POWER STEERING PUMP PLUG)		2-B6
RING, O (FOR TRANSFER IDLER SHAFT)		2-B3
RING, O (FOR VALVE HOUSING)		2-H5

PART NUMBER	LOCATION	PART NUMBER	LOCATION	PART NUMBER	LOCATION	PART NUMBER	LOCATION	PART NUMBER	LOCATION	PART NUMBER	LOCATION
12251-56030-	1-E2	13470-61010-	1-H2	15122-79410-	1-B3	16210-56040-	1-B3	17100-61081-	1-E4	17586-61011-	1-L4
-56031-	1-E2	13477-60030-	1-H2	15125-60013-	1-B3	-61071-	1-B3	-61082-	1-E4	-61030-	1-L4
-56040-	1-E2	13478-60010-	1-H2	15126-60013-	1-B3	-61120-	1-B3	17111-56060-	1-E4	17587-61011-	1-L4
12261-61020-	1-E2	13504-56020-	1-H2	15131-24010-	1-B3	16261-56011-	1-M3	-56090-	1-E4	-61020-	1-L4
12301-61012-	1-C2	-56030-	1-E2	15132-40010-	1-B3	-56012-	1-M3	-56130-	1-E4	17590-61010-	1-L4
12311-56030-	1-C2	13508-56010-	1-E2	-76011-	1-B3	-60011-	1-M3	17141-56030-	1-E4	17610-61030-	1-A5
-61011-	1-C2	13511-56010-	1-K2	15133-20010-	1-B3	16271-56020-	1-B3	-56031-	1-E4	17691-61011-	1-F5
12315-56010-	1-C2	-56030-	1-K2	-24010-	1-B3	-60011-	1-B3	-56050-	1-E4	17700-58010-	1-K4
-56011-	1-C2	-60060-	1-K2	15134-20010-	1-B3	16331-56020-	1-M3	17151-61010-	1-E4	-58011-	1-K4
-61011-	1-C2	13519-56010-	1-H2	15184-15010-	1-B3	-56030-	1-M3	17152-61010-	1-E4	-58012-	1-K4
12361-56031-	1-C2	13521-56020-	1-E2	15193-56010-	1-B3	-61032-	1-M3	17167-56020-	1-E4	-58030-	1-K4
-59035-	1-C2	-56030-	1-E2	-56020-	1-B3	-61041-	1-M3	-61012-	1-E4	-58031-	1-K4
-61020-	1-C2	-61010-	1-E2	15301-56020-	1-K1	16333-56040-	1-M3	17168-61014-	1-E4	-58032-	1-K4
12371-58010-	1-C2	13523-56030-	1-K2	-56040-	1-K1	-56060-	1-M3	17169-61011-	1-E4	-58023-	1-K4
-51020-	1-C2	-56040-	1-K2	-61010-	1-K1	-61100-	1-M3	17171-61010-	1-F4	17701-56111-	1-K4
12511-56030-	1-C2	-60030-	1-K2	15403-56040-	1-B3	-61110-	1-M3	17172-56020-	1-F4	-56112-	1-K4
-56031-	1-C2	13525-56010-	1-E2	-56041-	1-B3	16341-56020-	1-M3	-56021-	1-F4	17703-77020-	1-K4
-56040-	1-C2	13571-56010-	1-K2	-60020-	1-B3	-61020-	1-M3	-56022-	1-F4	17705-56071-	1-L4
-60081-	1-C2	-56020-	1-K2	15422-56020-	1-B3	16343-56020-	1-M3	-61030-	1-F4	-56290-	1-L4
-61021-	1-C2	-60010-	1-K2	15600-61010-	1-E3	-60010-	1-M3	17173-56020-	1-F4	-61023-	1-L4
13011-58010-	1-G2	-61010-	1-K2	15605-58010-	1-K1	16360-61024-	1-A4	-56021-	1-F4	17728-24030-	1-L4
-53011-	1-G2	13572-56010-	1-E2	15609-56040-	1-E3	16361-38010-	1-A4	-56122-	1-F4	17751-61021-	1-L4
-61010-	1-G2	-56020-	1-E2	-51010-	1-E3	-61011-	1-A4	-58010-	1-F4	17781-90300-	1-L4
13013-61010-	1-G2	13711-58010-	1-K2	-61011-	1-E3	-61020-	1-A4	17231-61012-	1-F4	17782-90300-	1-L4
13015-61010-	1-G2	-60021-	1-K2	-61020-	1-E3	16363-61013-	1-A4	17232-61013-	1-F4	17783-90300-	1-L4
13017-61010-	1-G2	13715-58010-	1-K2	15621-41010-	1-E3	16371-56030-	1-J3	-61014-	1-F4	17791-56170-	1-H5
13041-58010-01	1-G2	-60032-	1-K2	15691-56030-	1-E3	-56040-	1-J3	17303-61011-	1-F5	-61022-	1-H5
-56010-02	1-G2	-61010-	1-K2	-60010-	1-E3	16381-56030-	1-A4	17306-61021-	1-C5	17792-61033-	1-H5
13101-58011-	1-G2	13734-60030-	1-K2	15701-56010-	1-G3	-56050-	1-A4	17314-61031-	1-A5	17795-90300-	1-L4
-58010-	1-G2	13741-56020-	1-K2	-56011-	1-G3	-60081-	1-A4	17317-61020-	1-A4	17796-90300-	1-L4
-61011-	1-G2	-56021-	1-K2	15707-61010-	1-G3	-51011-	1-A4	17318-61020-	1-A5	17801-61010-	1-L4
13103-61011-	1-G2	-60030-	1-K2	15708-58010-	1-K1	16400-56100-	1-A4	-56101-	1-A4	-66020-	1-L4
13105-61011-	1-G2	13751-56011-	1-L2	-58020-	1-K1	-56101-	1-A4	-61040-	1-A5	-68020-	1-L4
13107-61011-	1-G2	-56012-	1-L2	15710-56040-	1-G3	-61020-	1-A4	17341-61021-	1-B5	17810-61010-	1-F5
13201-58010-	1-G2	-56020-	1-L2	-56041-	1-G3	-61030-	1-A4	17342-61030-	1-B5	17841-61011-	1-L4
-58011-	1-G2	-61010-	1-L2	-61010-	1-G3	16401-41021-	1-A4	17343-61020-	1-B5	-58010-	1-L4
-60011-	1-G2	13755-61010-	1-L2	15725-56010-	1-G3	16402-56010-	1-A4	17344-61011-	1-B5	17845-56040-	1-L4
13202-58010-	1-G2	13781-31011-	1-L2	-56011-	1-G3	-56011-	1-A4	17345-61030-	1-B5	-61011-	1-L4
-60011-	1-G2	-56010-	1-L2	15771-61010-	1-G3	16405-56011-	1-A4	17346-61020-	1-C5	17848-61020-	1-L4
13203-60011-	1-G2	-61010-	1-L2	15777-61011-	1-G3	-56012-	1-B4	17361-61010-	1-C5	17853-68010-	1-B4
13204-58010-	1-G2	13811-56020-	1-L2	16100-59093-	1-E3	-60011-	1-A4	17400-61020-	1-H4	17881-56030-	1-L4
-58011-	1-G2	-56030-	1-L2	-59105-	1-E3	16480-24010-	1-A4	17401-56100-	1-H4	-61010-	1-L4
-60011-	1-G2	-61021-	1-L2	-61071-	1-E3	-41140-	1-A4	-61090-	1-H4	17882-56020-	1-L4
13205-58010-	1-G2	13812-56020-	1-L2	-61130-	1-E3	16571-56010-	1-B4	17410-61170-	1-H4	-61011-	1-L4
-58011-	1-G2	-56030-	1-L2	16104-41111-	1-E3	-56011-	1-B4	17420-56080-	1-H4	17885-56010-	1-L4
-60011-	1-G2	-61021-	1-L2	-52011-	1-E3	-61042-	1-B4	-61032-	1-H4	18491-61010-	1-H4
13207-58010-	1-G2	13901-56020-	1-L2	16110-61071-	1-E3	-61050-	1-B4	-61070-	1-H4	19000-38010-	1-C1
-58011-	1-G2	-61011-	1-L2	-61081-	1-E3	-61071-	1-B4	17430-56310-	1-L4	-58011-	1-C1
13265-58010-	1-H2	13951-56010-	1-L2	16117-56040-	1-E3	16572-56060-	1-B4	-61040-	1-L4	-58012-	1-C1
-69015-	1-H2	-61012-	1-L2	-61012-	1-E3	-56061-	1-B4	-61120-	1-L4	-58340-	1-C1
13401-58010-	1-H2	13952-56010-	1-M2	16119-56040-	1-E3	-56062-	1-B4	17435-61011-	1-L4	-61200-	1-C1
-58020-	1-H2	-61012-	1-M2	16124-61012-	1-E3	16573-56020-	1-B4	-61030-	1-L4	-61210-	1-C1
-60010-	1-H2	13953-56010-	1-M2	16131-56020-	1-E3	-56021-	1-B4	17503-61010-	1-L4	19100-61192-	1-L5
-60015-	1-H2	13958-56010-	1-L2	-56040-	1-E3	-56022-	1-B4	17506-61011-	1-H4	-61102-	1-L5
13405-56031-	1-H2	13994-61010-	1-L2	-61071-	1-E3	16577-56020-	1-B4	17507-61010-	1-H4	19101-5101-	1-L5
-59055-	1-H2	15012-60014-	1-B3	16141-60010-	1-E3	-56021-	1-B4	17509-56020-	1-L4	-6102-	1-L5
-69015-	1-H2	15077-56010-	1-C3	-76010-	1-E3	-61040-	1-B4	-61020-	1-L4	19102-43060-	1-L5
13453-56020-	1-H2	15100-61010-	1-B3	16171-38022-	1-E3	-61120-	1-B4	17552-56010-	1-L4	-45150-	1-L5
-60010-	1-H2	15104-56040-	1-B3	-61071-	1-E3	16701-56022-	1-B4	-56011-	1-L4	-61091-	1-L5
13470-56100-	1-H2	-56050-	1-M3	16173-61010-	1-E3	-56240-	1-B4	-61030-	1-L4	-61102-	1-L5
-56101-	1-H2	15115-56030-	1-B3	16193-33030-	1-E3	16711-61080-	1-B4	17567-61030-	1-L4	19105-61091-	1-L5
-56170-	1-H2	15121-56030-	1-B3	16198-41050-	1-E3	-61091-	1-B4	17571-56060-	1-L4	19114-61011-	1-L5
-60031-	1-H2	-88111-	1-B3	-41170-	1-E3	17061-61020-	1-K4	-61100-	1-H4	-61030-	1-L5
-60120-	1-H2	15122-56030-	1-B3	16210-56020-	1-E3	17100-61052-	1-E4	17580-61010-	1-H4	19115-56010-	1-L5

**B15****LAND CRUISER Hardtop U.S.A.  
PRODUCTION FRAME NUMBER REFERENCE LIST**

Applicable Model	Production Date Assembly Line	8001	8002	8003	8004	8005	8006	8007	8008	8009	8010	8011	8012
BJ42	TMC Honsya Plant	--	--	000001	000002	--	000003	--	000004	000004	000392	000733	000981
FJ40	TMC Honsya Plant	316634	319023	319459	321173	323124	324752	326067	327555	328547	330026	331629	332486

Applicable Model	Production Date Assembly Line	8101	8102	8103	8104	8105	8106	8107	8108	8109	8110	8111	8112
BJ42	TMC Honsya Plant	001151	001283	001394	001552	001643	001752	001886	001987	002096	002356	002570	002730
FJ40	TMC Honsya Plant	333822	335070	338330	339230	339822	341381	342951	344902	346496	347857	348891	350523

Applicable Model	Production Date Assembly Line	8201	8202	8203	8204	8205	8206	8207	8208	8209	8210	8211	8212
BJ42	TMC Honsya Plant	002925	003165	003357	003518	003734	003944	004071	004204	004268	004359	004451	004549
FJ40	TMC Honsya Plant	352467	353264	354146	354734	355577	356283	356962	357653	358126	358812	360039	360581

Applicable Model	Production Date Assembly Line	8301	8302	8303	8304	8305	8306	8307	8308	8309	8310	8311	8312
BJ42	TMC Honsya Plant	004625	004687	004901	004916	005028	005177	005371	005664	005664	005852	005943	006073
FJ40	TMC Honsya Plant	361221	361706	362645	363326	363876	364307	364588	364961	365620	365951	366353	366603

Applicable Model	Production Date Assembly Line	8401	8402	8403	8404	8405	8406	8407	8408	8409	8410	8411	8412
BJ42	TMC Honsya Plant	006208	006314	006576	006752	007079	007278	007419	007632	007779	008046		
FJ40	TMC Honsya Plant	367412	368165	368378	369107	369623	369616	370200	370445	370533	371297		

# MARK & ABBREVIATION LIST

# B16

(1) Abbreviation:

Mark	Definition	Mark	Definition	Mark	Definition	Mark	Definition
..	Among	A40	A40 Type Transmission (3-speed)	EGR-VM	EGR Vacuum Modulator	KUZEH	Kuzen Company Limited
.	And	A40D	A40D Type Transmission	EXCL.	Exclude	KW	Kilowatts
+	And (Plus)		(4-speed)	FB	Fabric	L	Length (mm)
-	Excluded (Minus)	A43D	A43D Type Transmission	FR	Front	L-	Light
*	All series		(4-speed)	FUJITHOMSON	Fuji-Thomson Company Limited	LB	Liftback
X	All series (All)	A43DE	A43DE Type Transmission	G	Grams	LB	Pounds
1SR	First		(4-speed)	G-	Greenish	LE	LE type
2D	2-door	A5E	A5E Type Transmission (5-speed)	GL	GL type	LG	LG type
2DS	2-door Sedan	A140E	A140E Type Trans. Axle	GS	Japan Storage Battery Company Limited	LH	Left-hand
2WD	2-door Station Wagon		(4-speed)	GT	GT type	LHD	Left-hand Drive
2FC	2-speed Automatic Transmission, Floor Shift	ABV	Air By-pass Valve	GT-S	GT-S type	LPB	Less Passive Belt
2YC	2-speed Automatic Transmission, Column Shift	ACV	Air Control Valve	HA	High Altitude Specification	LY	LY type
2ND	Second	AI	Air Injection	HAC	High Altitude Compensator	LSD	Limited Slip Differential
3D	3-door	ARAKAWA	Arakawa Auto Body Company Limited	HdX	Hi-deluxe type	LWR	Lower
3DS	3-door Sedan (Hatch-back)	ASCO	Aisin Gaiji Company Limited	HIF	0.5 ton	M	Meters
3FC	3-speed Automatic Transmission, Floor Shift	ASSY	Assembly	HT	Hardtop	M	Metallic
3H	3-speed Manual Transmission, Column Shift	ASV	Air Switching Valve	HVY	Heavy	MARUKO	Maruko Keshiki Company Limited
3HC	3-speed Automatic Transmission, Column Shift	ATM	Automatic Transmission	ID	Inside Diameter (mm)	MATSUSHITA	Matsushita Electric Industrial Company Limited
3PD	Third	B-	Brownish	IKI	Ichikoh Industries Limited	MC	Master Cylinder
3QT	0.75 ton	BN	Bench seat	IM-FB	Imitation Fabric	MM	Millimeters
4D	4-door	BRIDGESTONE	Bridgestone Company Limited	IN	Inches	MTM	Manual Transmission
4DS	4-door Sedan	PRK	Brake	ISO	International Organization for Standardization	MURAKAMI	Murakami Ka-me-do Company Limited
4DV	4-door Station Wagon	BS*	Booster	IV	Incomplete Vehicle	N	Nunit of teeth
4F	4-speed Manual Transmission, Floor Shift	BVSV	Brinetal Vacuum Switching	IVI	Chassis & Windshield	NACHI	Nachikawa Limited
4FC	4-speed Automatic Transmission, Floor Shift	CBR	Carburetor system	IVI	Chassis & Cab	NHON	Nihon Thermostat Company Limited
4H	4-speed Manual Transmission, Column Shift	CBU	Completely Built Unit	JECO	Jeco Company Limited	NOK	Nippon Orseal Industry Company Limited
4TH	Fourth	CIZEN	Rhythm Watch Company Limited	JKC	Jidosha Kiki Company Limited	NSK	Nippon Seiko Company Limited
5D	5-door	CM	Centimeters	KAYABA	Kayaba Industry Company Limited	OD	Outside Diameter (mm)
5DS	5-door Sedan (Hatch back)	CM2	Centimeters square	KCAL	Kilo Calorie	OS	Overhaul
5F	5-speed Manual Transmission, Floor Shift	CND	For Canada	K-FB	Knit Fabric	P	Pitch
5TH	Fifth	CP	Course	K-TY	Knit Tape	P	Purplish
6F	6-speed Manual Transmission, Floor Shift	CR-PLATED	Chrome Plated	KG	Kilograms	P & B	Proportioning & By-pass Valve
&	And	CTR	Crate	KG CM <sup>2</sup>	Kilograms per centimeter square	PCV	Positive Crankcase Ventilation System
A	Amperes	CVT	Convertible	KM	Kilometers	PF	Perforated foam coated vinyl leatherette
A2D	A2D Type Transmission (2-speed)	CW	Coil Winding	KOBE	Kobe Electric Machinery Company Limited	PIC	Pickup
		D-	Dark	KOITO	Koito Manufacturing Company Limited	PS	Power Steering
		DENSO	Nippondenso Company Limited	KOKI	Toyoda Machine Works Company Limited (Toyoda Koki)		
		DIFF	Differential	KOYO	Koyo Seiko Company Limited		
		DLX	Deluxe type				
		DUNLOP	Dunlop Rubber Company (Dunlop) Limited				
		DX	DX type (Deluxe type)				
		EDIC	Electronic Diesel Injection Control				
		EI	Electronic Fuel Injection System				
		EGR	Exhaust Gas Recirculation System				

(U.S.A. 1/2)

FIG. 51-52 SUSPENSION CROSSMEMBER & UNDER

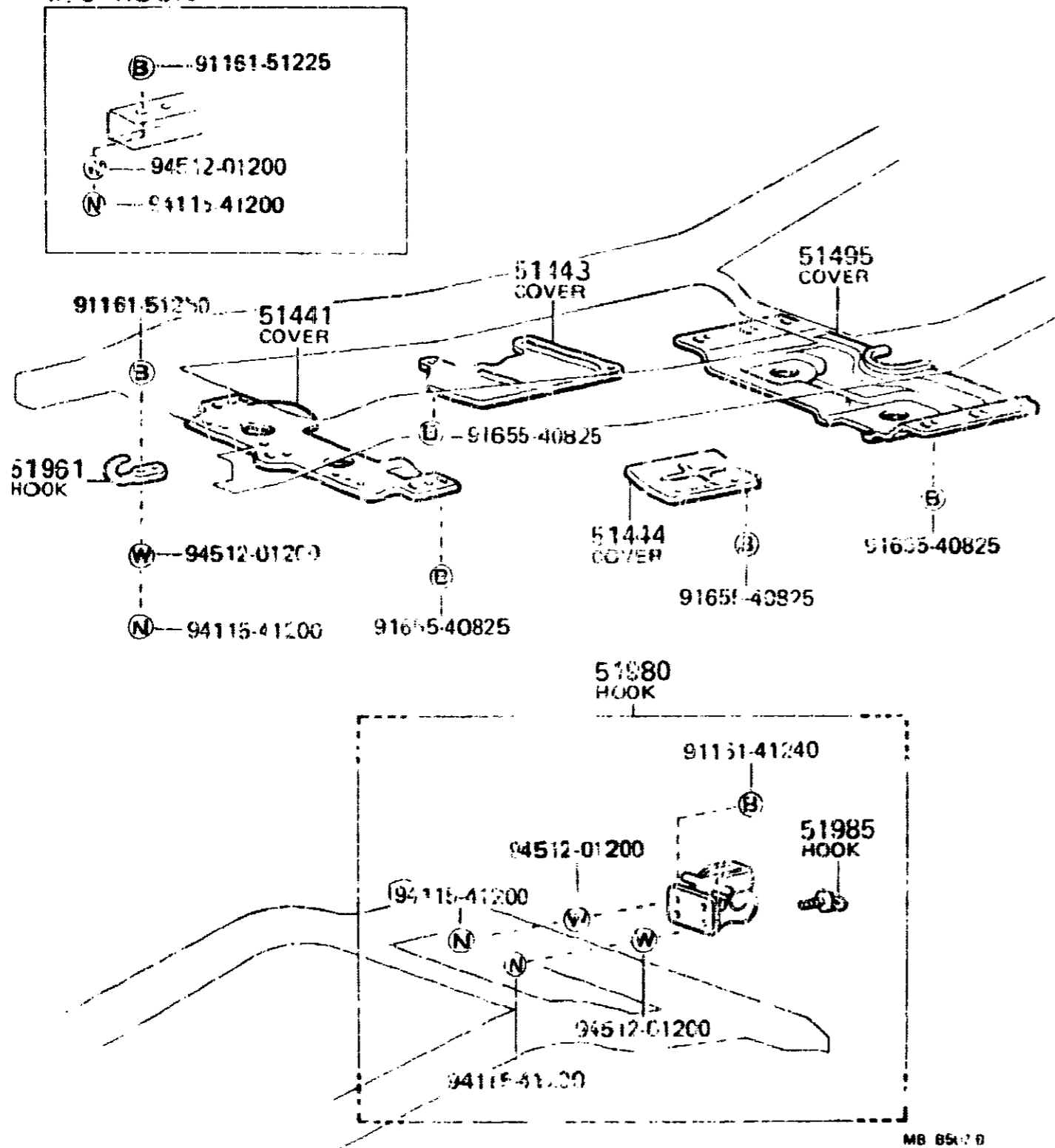
COVER

3-C1

GENUINE TOYOTA PARTS

12908-

W/O HOOK



PROD. DATE	MODELS	DESCRIPTION	R/P	PART NUMBER	QTY	REV. REF. CODE	
						FROM	UP TO
FIG. 51-52 SUSPENSION CROSSMEMBER & UNDER COVER							
		51441 COVER, ENGINE UNDER FRONT, NO. 1					
8008-8410	BJ42			51441-60040-	1	1	80
8008-8309	FJ40			51441-60013-	1	1	
		51443 COVER, ENGINE UNDER REAR, RH					
8008-8410	BJ42			51453-60011-	1	1	80
8008-8309	FJ40			51453-60012-	1	1	
		51444 COVER, ENGINE UNDER REAR, LH					
8008-8410	BJ42			51454-60031-	1	1	80
8008-8309	FJ40			51454-60013-	1	1	
		51495 COVER, TRANSMISSION UNDER					
8210-8410	BJ42			51495-60100-	1	19	80
3001-8210	BJ42, FJ40			51495-60032-	1	1	18
8210-8309	FJ40				1	19	
		51961 HOOK, NO. 1					
8008-8410	BJ42, FJ40			51961-60010-	2	1	80
		51980 HOOK ASSY, DRAWING PINTLE					
8008-8410	BJ42, FJ40			51980-69015-	1	1	80
		51985 HOOK, EYELET PINTLE					
8008-8410	BJ42, FJ40			51985-70011-	2	1	80

MB 85179

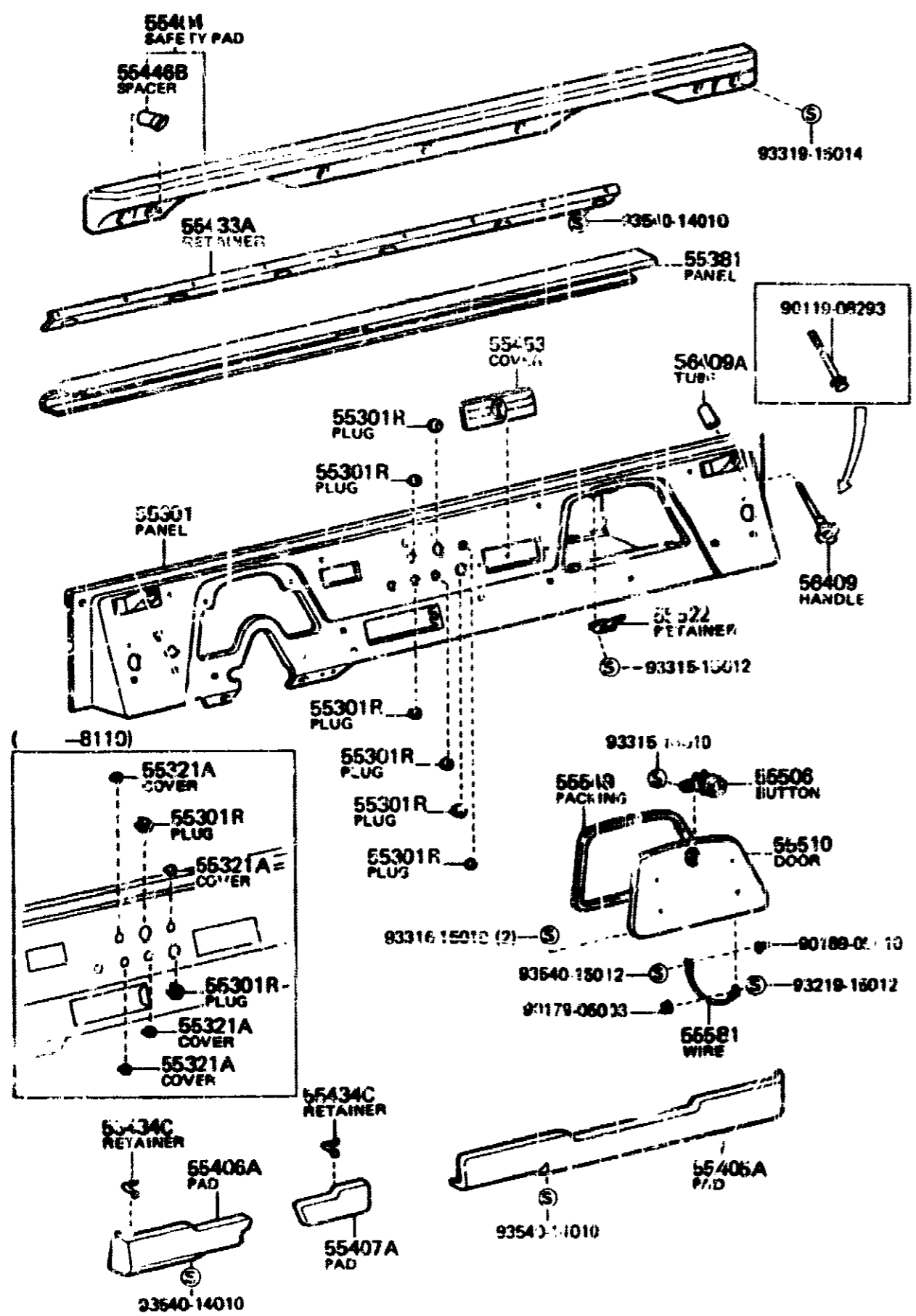
MBB5079

M74-13-7047

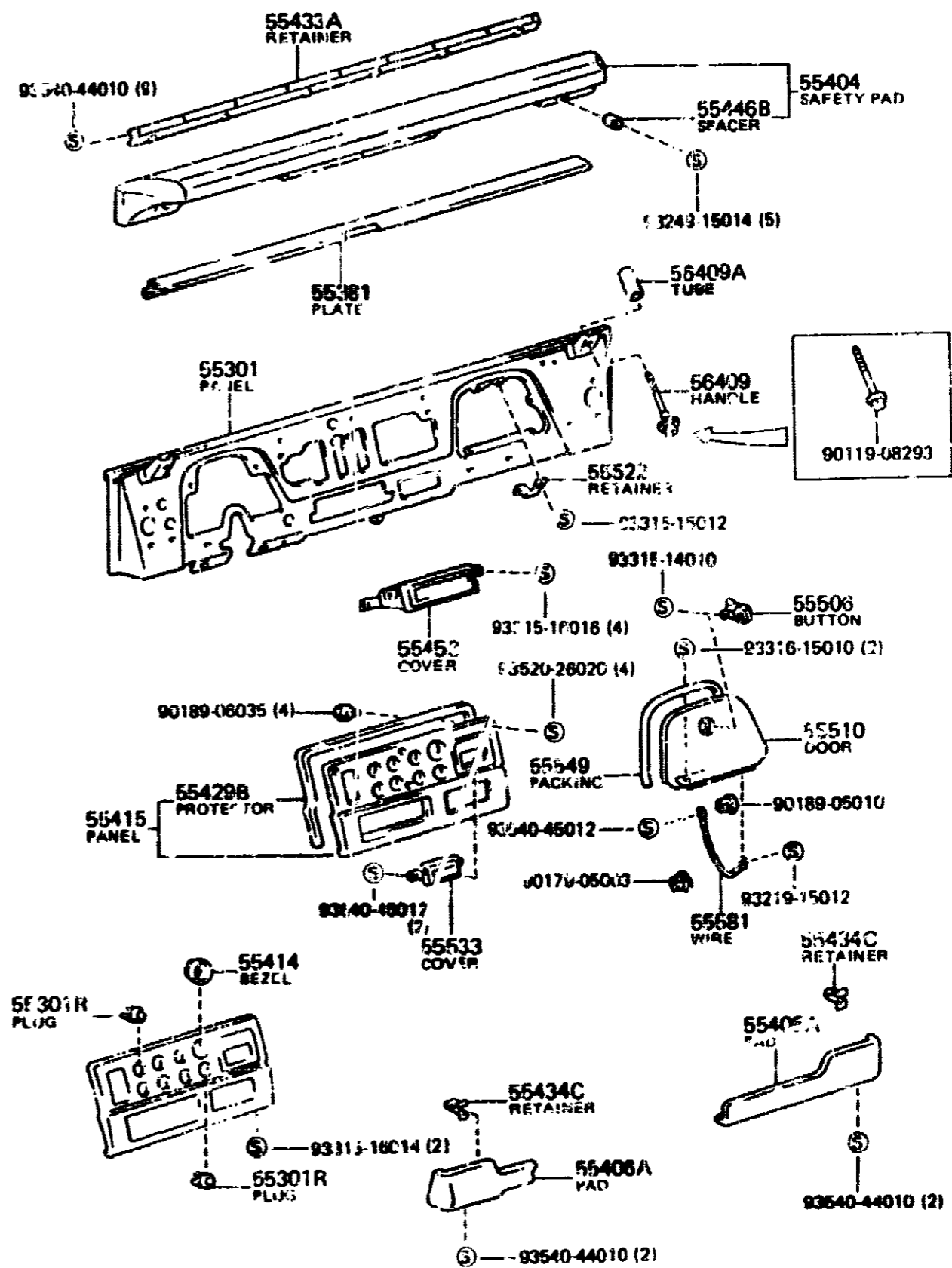


(8008-8210)

(8210- )



MB 8574-D



MB E313 B

PROD. DATE	MODELS	DESCRIPTION	R/P	PART NUMBER	QTY	REV. REF. CODE	
						FROM	UP TO
FIG.	61-51	SIDE MEMBER					
8008-8410	BJ42, FJ40	FLANGE SUB-ASSY, REAR SIDE SERVICE HOLE COVER SEY		61009-90300-	1	1	80
8008-8205	BJ42, FJ40	PANEL SUB-ASSY, COWL SIDE, RH W/ANTENA		55706-90310-	1	1	
8008-8410	BJ42, FJ40	W/O ANTENA		55706-90305- (55706-90162- )	1	1	80
8205-8410	BJ42, FJ40	PANEL SUB-ASSY, COWL SIDE, LH W/ANTENA		55707-90312- (55707-90161- )	1	1	80
8008-8410	BJ42, FJ40, CND	W/O ANTENA		55707-90311- (55707-90817- )	1	1	80
8008-8309	FJ40, USA	W/O ANTENA		55707-90319-	1	1	
8008-8110	BJ42, FJ40	PILLAR SUB-ASSY, FRONT BODY LOWER OUTER, RH		61106-90310-	1	1	6
8110-8410	BJ42, FJ40			61106-90801- (61106-90300- )	1	7	80
8110-8309	FJ40	W/COOLER		61106-90302-	1	7	
8008-8110	FJ40, V, USA	W/COOLER		61106-90311-	1	1	6
8008-8110	BJ42, FJ40	PILLAR SUB-ASSY, FRONT BODY LOWER OUTER, LH		61107-90311-	1	1	6
8110-8410	BJ42, FJ40			61107-90801-	1	7	80
8008-8410	BJ42, FJ40	BRACKET ASSY, SAFETY STRAP, RH		61193-90301-	1	1	80
8008-8410	BJ42, FJ40	BRACKET ASSY, SAFETY STRAP, LH		61193-90301-	1	1	80
8008-8410	BJ42, FJ40	STRAP ASSY, SAFETY		61190-90300-	2	1	80
8309-8410	BJ42	PANEL, REAR BODY FRONT SIDE, RH		61310-90310-	1	1	80

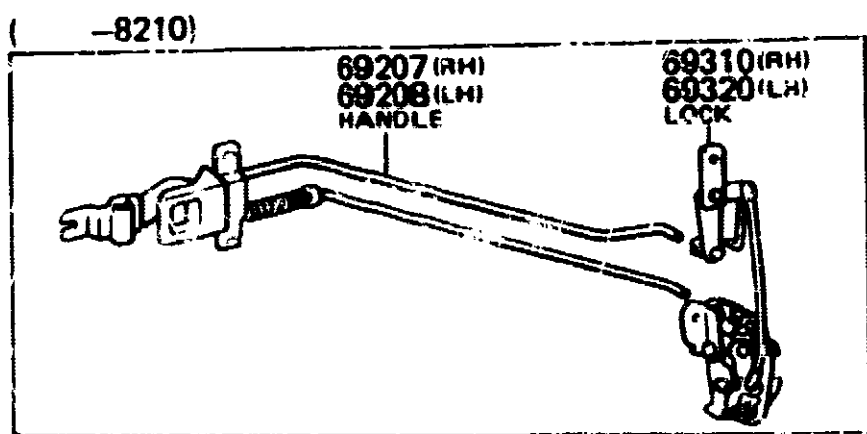
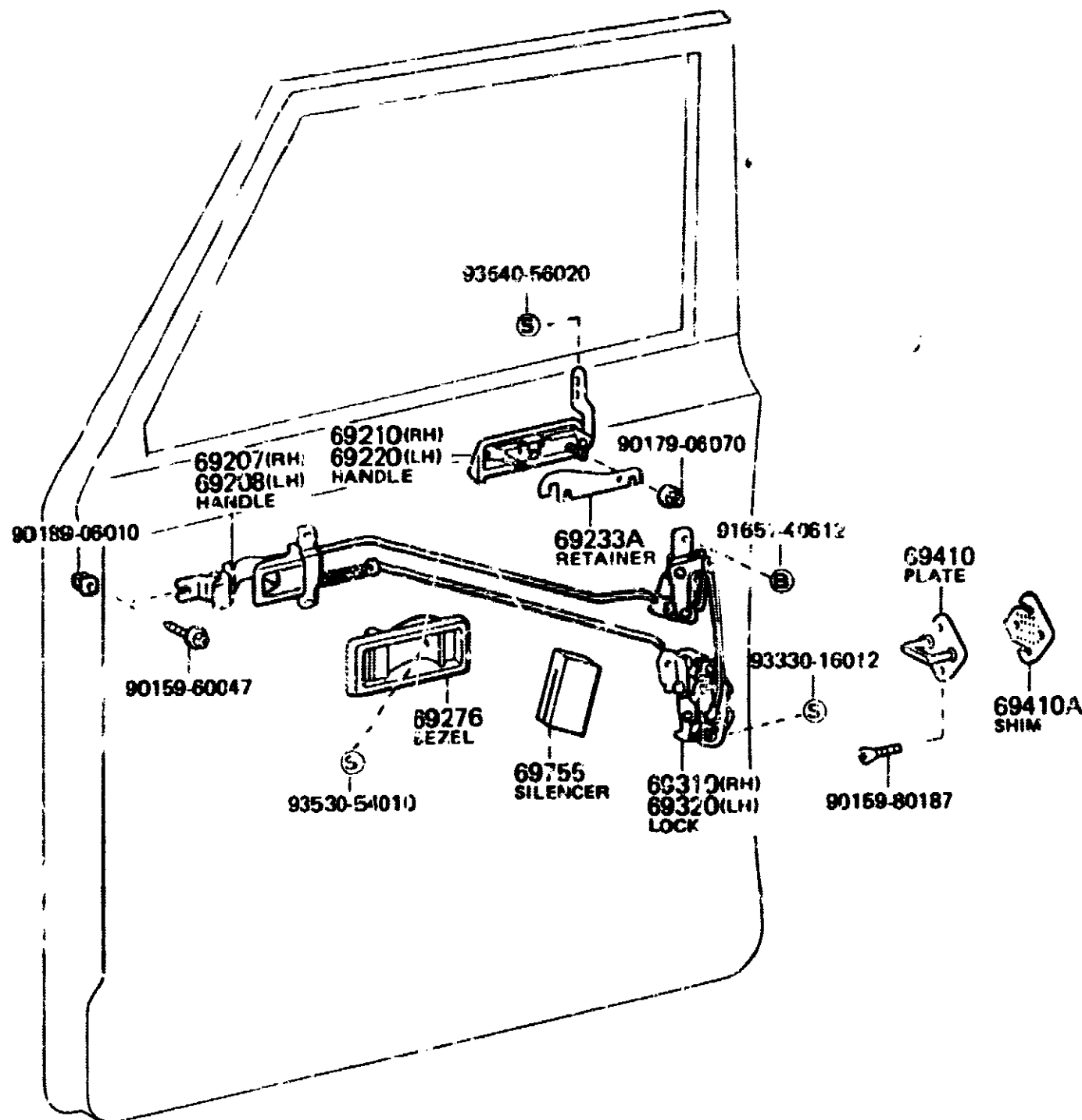
PROD. DATE	MODELS	DESCRIPTION	R/P	PART NUMBER	QTY	REV. REF. CODE	
						FROM	UP TO
8008-8309	BJ42, FJ40, CND	PANEL, REAR BODY FRONT SIDE, RH CONTINUED		61310-90312- (61310-90310- )	1	1	
8008-8309	FJ40, USA			61310-90310-	1	1	
8008-8410	BJ42, FJ40, CND	PANEL, REAR BODY FRONT SIDE, LH		61320-90309-	1	1	80
8008-8309	FJ40, USA			61320-90305-	1	1	
8206-8410	BJ42	PANEL ASSY, REAR UPPER SIDE, RH		61501-90829-	1	1	80
8008-8206	BJ42, FJ40, CND			61501-90318- (61501-90829- ) (61549-90800- )	1	1	
8206-8309	FJ40			61501-90312- (61501-90313- )	1	1	
8008-8206	FJ40, V, USA			61501-90315- (61501-90312- ) (61549-90800- )	1	1	
8008-8410	BJ42, FJ40, V	GROMMET, SAFETY BELT ANCHORAGE NUT		58276-90300-	2	1	80
8008-8410	BJ42, FJ40, CND	PANEL ASSY, REAR UPPER SIDE, LH		61502-90319-	1	1	80
8008-8309	FJ40, V, USA			61502-90316- (61502-90317- )	1	1	
8008-8410	BJ42, FJ40, V	PACKING, REAR UPPER SIDE PANEL SET		61534-60011-	2	1	80
8206-8410	BJ42, FJ40	COVER, ROOM SIDE LAMP HOLE		61549-90800-	1	1	80
8008-8410	BJ42, FJ40, CND	APRON, REAR FENDER, RH		61603-90344-	1	1	80
8008-8110	FJ40, TP			61603-90348-	1	1	6
8008-8410	BJ42, FJ40, V	APRON, REAR FENDER, LH		61604-90344-	1	1	80

FIG.67-53 FRONT DOOR LOCK & HANDLE

3-C4

GENUINE TOYOTA PARTS

(8008- )



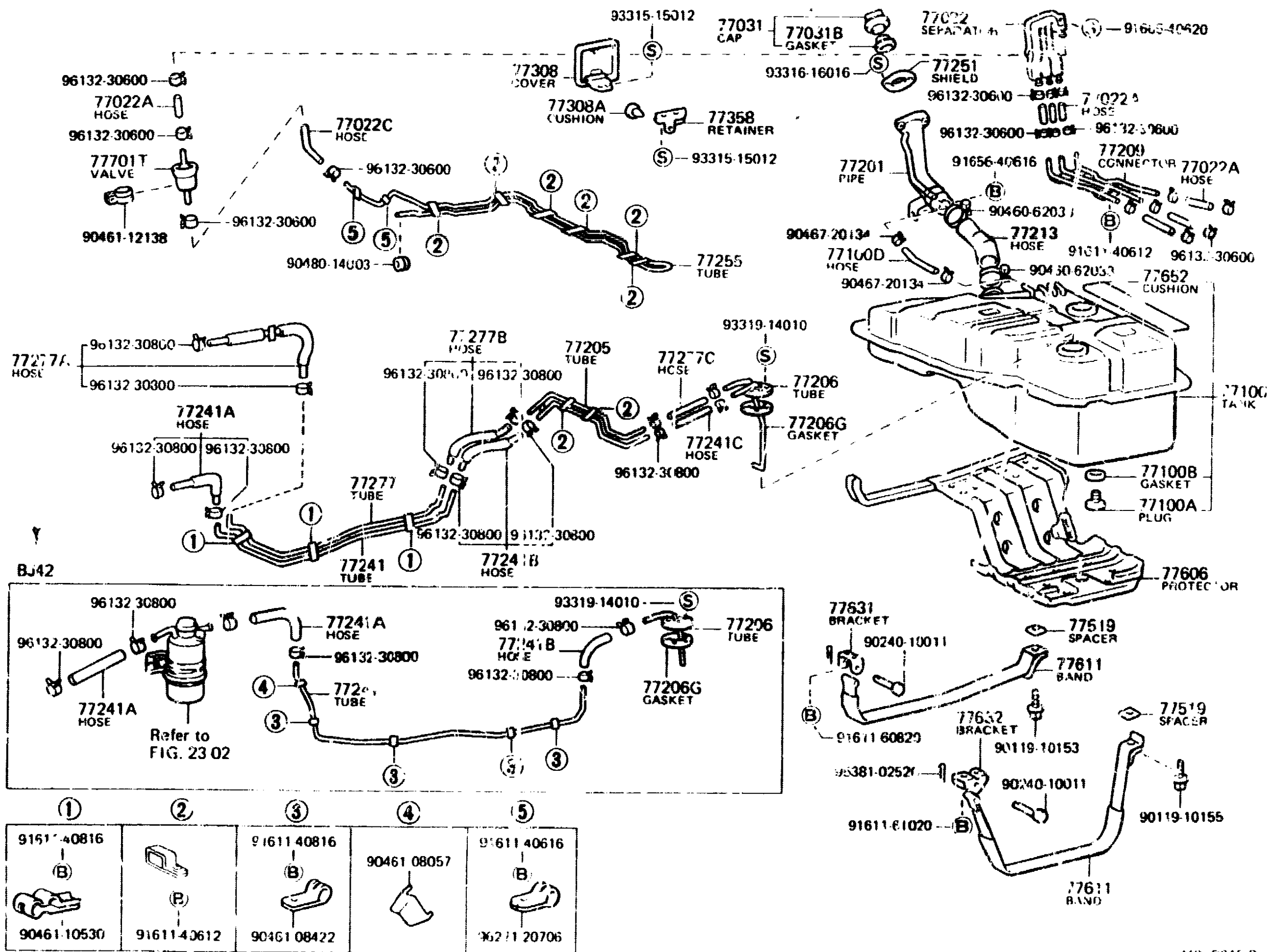
MB 0566-B

PROD. DATE	MODELS	DESCRIPTION	R/P	PART NUMBER	QTY	REV. REF. CODE	
						FROM	UP TO
FIG.	67-53	FRONT DOOR LOCK & HANDLE					
		69207 HANDLE SUB-ASSY, FRONT DOOR INSIDE, RH					
8008-8210	BJ42, FJ40			69250-90301-	1		
8210-8410	BJ42, FJ40			69270-90801-01	1		80
		69208 HANDLE SUB-ASSY, FRONT DOOR INSIDE, LH					
8008-8210	BJ42, FJ40			69260-90301-	1	1	
8210-8410	BJ42, FJ40			69280-90801-01	1		80
		69210 HANDLE ASSY, FRONT DOOR OUTSIDE, RH					
8008-8410	BJ42, FJ40			69210-90300-	1	1	80
		69220 HANDLE ASSY, FRONT DOOR OUTSIDE, LH					
8008-8410	BJ42, FJ40			69220-90300-	1	1	80
		69233A RETAINER, DOOR OUTSIDE HANDLE					
8210-8410	BJ42, FJ40			69233-90800-	2		80
		69276 BEZEL, FRONT DOOR INSIDE HANDLE					
8008-8410	BJ42, FJ40			69276-20011-01	2	1	80
		69310 LOCK ASSY, FRONT DOOR, RH					
8008-8210	BJ42, FJ40			69310-90300-	1	1	
8210-8410	BJ42, FJ40			69310-90800-	1		80
		69320 LOCK ASSY, FRONT DOOR, LH					
8008-8210	BJ42, FJ40			69320-90300-	1	1	
8210-8410	BJ42, FJ40			69320-90800-	1		80
		69410 PLATE ASSY, FRONT DOOR LOCK STRIKER					
8008-8410	BJ42, FJ40			69410-90300-	2	1	80
		69410A SHIM, FRONT DOOR LOCK STRIKER PLATE					
8008-8410	BJ42, FJ40			69411-90300-	2	1	80
		69755 SILENCER, FRONT DOOR LOCK LINK					
8008-8202	BJ42, FJ40			69759-95500-	2	1	

PROD. DATE	MODELS	DESCRIPTION	R/P	PART NUMBER	QTY	REV. REF. CODE	
						FROM	UP TO
FIG.	71-51	SEAT & SEAT TRACK					
8008-8410	BJ42, FJ40	COVER, FRONT SEAT CUSHION, RH (FOR SEPARATE TYPE)		71071-90345-	1	1	80
8008-8410	BJ42, FJ40	COVER, FRONT SEAT CUSHION, LH (FOR SEPARATE TYPE)		71071-90345-	1	1	80
8008-8410	BJ42, FJ40	COVER, FRONT SEAT BACK, RH (FOR SEPARATE TYPE)		71073-90800-	1	1	80
8008-8410	BJ42, FJ40	COVER, FRONT SEAT BACK, LH (FOR SEPARATE TYPE)		71074-90800- (71073-90814- )	1	1	80
8008-8410	BJ42, FJ40	COVER SUB-ASSY, REAR SIDE SEAT CUSHION, RH		71075-90079-	1		80
8008-8410	BJ42, FJ40	COVER SUB-ASSY, REAR SIDE SEAT CUSHION, LH		71075-90079-	1	1	80
8008-8410	BJ42, FJ40	COVER SUB-ASSY, REAR SIDE SEAT BACK, RH		71088-90800-	1	1	80
8008-8410	BJ42, FJ40	COVER SUB-ASSY, REAR SIDE SEAT BACK, LH		71088-90800-	1	1	80
8008-8104	BJ42, FJ40	CUSHION ASSY, FRONT SEAT, RH (FOR SEPARATE TYPE)		71410-90082- (71410-90801- ) (90523-08001- )	1	1	
8104-8410	BJ42, FJ40			71410-90801-	1		80
8008-8104	BJ42, FJ40	CUSHION ASSY, FRONT SEAT, LH (FOR SEPARATE TYPE)		71420-90082- (71420-90801- ) (90523-08001- )	1	1	
8104-8410	BJ42, FJ40			71420-90801-	1		80
8008-8410	BJ42, FJ40	BACK ASSY, FRONT SEAT, RH (FOR SEPARATE TYPE)		71430-90800-	1	1	80

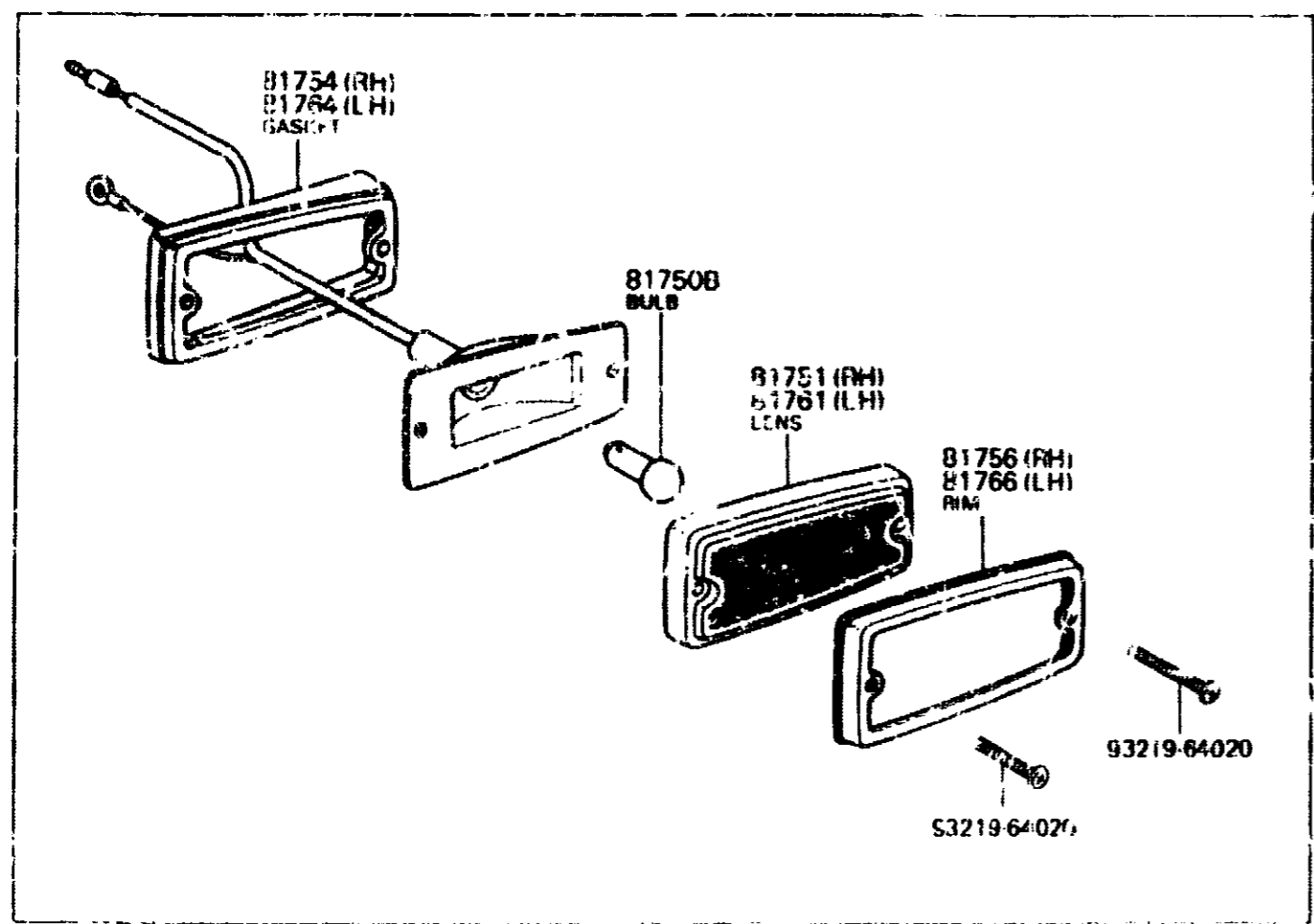
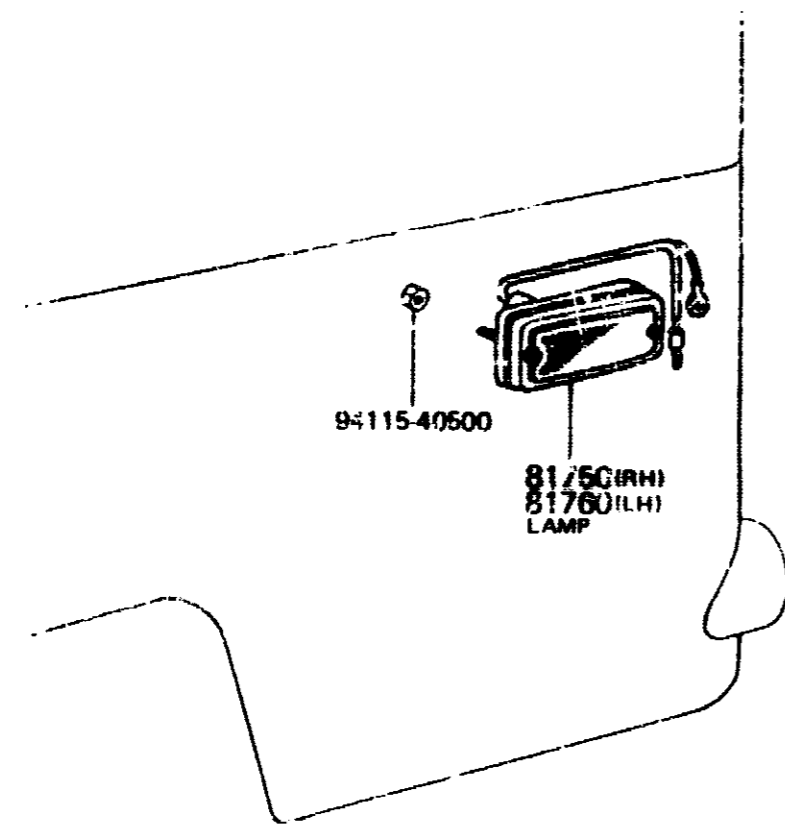
PROD. DATE	MODELS	DESCRIPTION	R/P	PART NUMBER	QTY	REV. REF. CODE	
						FROM	UP TO
8008-8410	BJ42, FJ40	BACK ASSY, FRONT SEAT, LH (FOR SEPARATE TYPE)		71440-90800-	1	1	80
8008-8410	BJ42, FJ40	SEAT ASSY, REAR SIDE, RH		71700-90801-	1	1	80
8008-8110	FJ40, TP			71700-90800-	1	1	6
8008-8410	BJ42, FJ40	BAND SUB-ASSY, REAR SIDE SEAT		71609-90301-	2	1	80
8008-8410	BJ42, FJ40	FASTENER, SEAT (FOR SIDE SEAT)		65928-60010-	2	1	80
8008-8410	BJ42, FJ40	SEAT ASSY, REAR SIDE, LH		71700-90301-	1	1	80
8008-8110	FJ40, TP			71700-90800-	1	1	6
8008-8410	BJ42, FJ40	RING, HOG, SMALL		71812-30010-	33	1	80
8008-8210	BJ42, FJ40	HEADREST ASSY, FRONT SEAT		71950-90301-	2	1	18
8210-8410	BJ42, FJ40			71910-90801-03	2	19	80
8008-8410	BJ42, FJ40	SUPPORT, FRONT SEAT HEADREST		71956-30020-01	2	1	80
8008-8410	BJ42, FJ40			71990-30020-01	2	1	80
8008-8410	BJ42, FJ40	TRACK ASSY, RH SEAT, OUTER (FOR SEPARATE SEAT)		72110-90333-	1	1	80
8008-8110	BJ42, FJ40	BRACKET, RH SEAT SET OUTSIDE (FOR SEPARATE SEAT)		71081-90000-	1	1	6
8110-8410	BJ42, FJ40, COND				1	7	80
8008-8110	BJ42, FJ40	BRACKET, RH SEAT SET INSIDE (FOR SEPARATE SEAT)		71081-90300-	1	1	6

(8008-8210)CND



MB R615 B

(8008- )

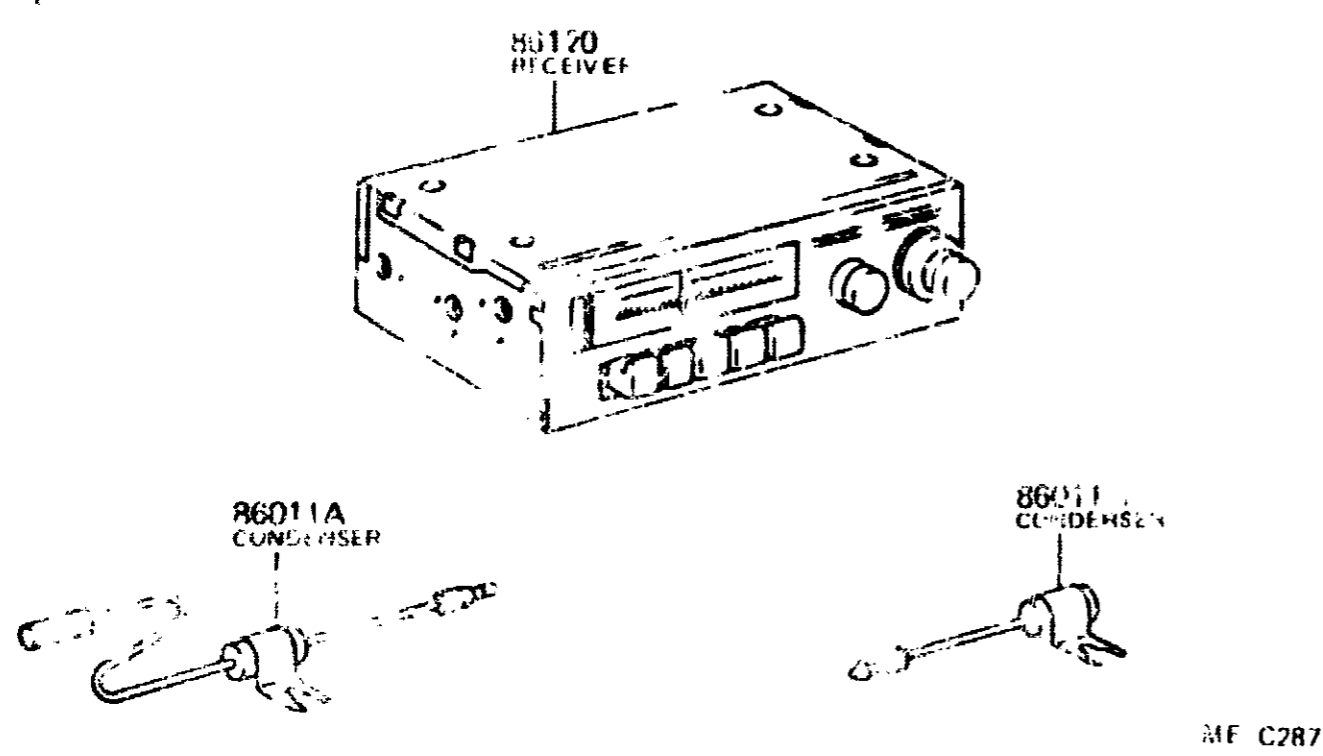
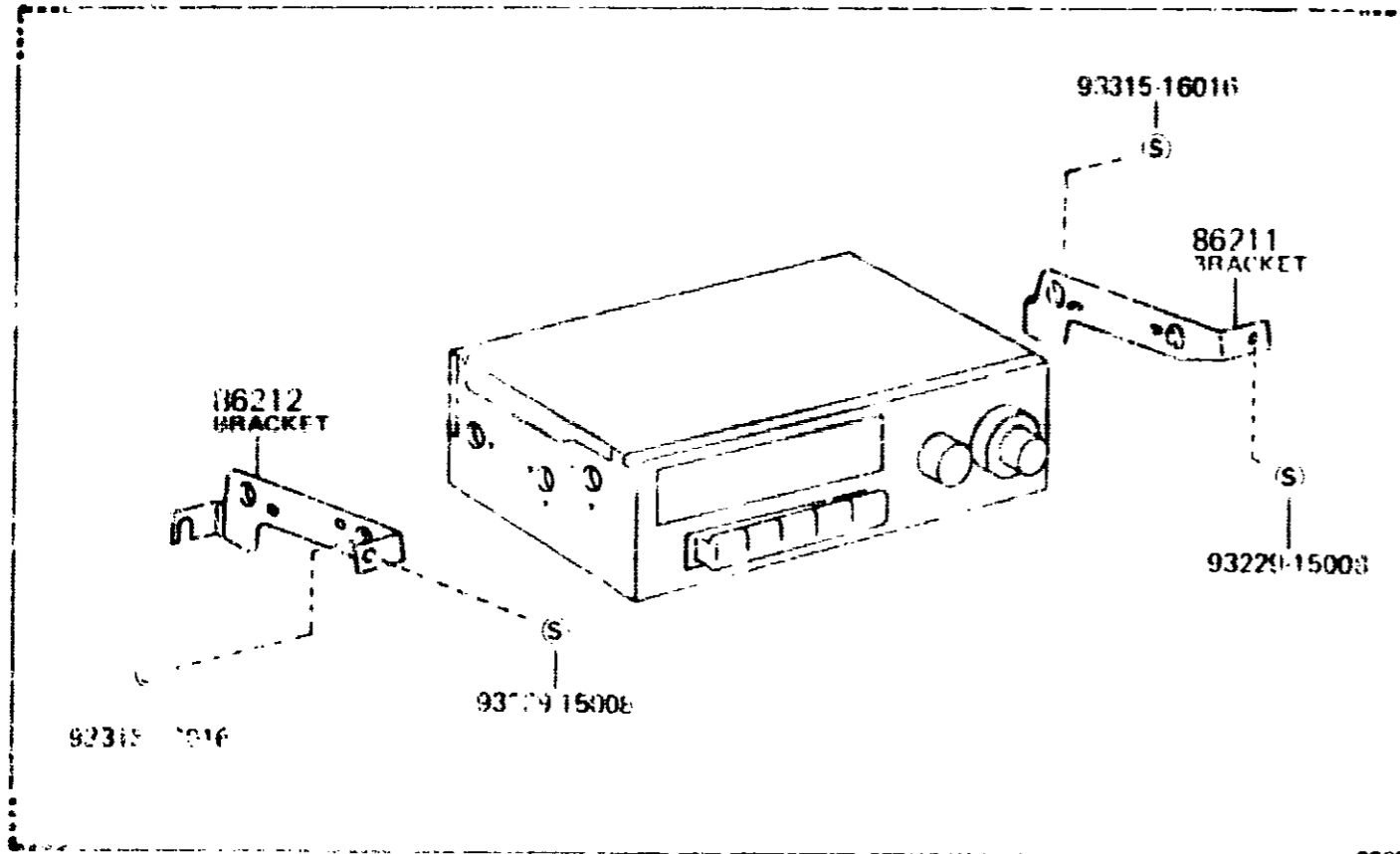


PROJ. DATE	MODELS	DESCRIPTION	R/P	PART NUMBER	QTY	REV. REF. CODE	
						FROM	UP TO
FIG.	81-14	REAR SIDE MARKER LAMP					
		1 81750   LAMP ASSY, REAR SIDE MARKER, RH					
8008-8410	BJ42			81750-60050-	1	1	80
9008-8309	FJ40			81750-60031-	1	1	
		1 81750E   BULB, REAR SIDE MARKER LAMP					
8003-8410	BJ42	24V 5W		90981-16016-	2	1	80
8008-8309	FJ40	12V 8W		99132-12080-	2	1	
		1 81751   LENS, REAR SIDE MARKER LAMP, RH					
8003-8410	BJ42, FJ40			81751-60020-	1	1	80
		1 81754   GASKET, REAR SIDE MARKER LAMP BODY, RH					
8008-8410	BJ42, FJ40			81754-60030-	1	1	80
		1 81756   RIM, REAR SIDE MARKER LAMP, RH					
8008-8410	BJ42, FJ40			31916-89101-	1	1	80
		1 81760   LAMP ASSY, REAR SIDE MARKER, LH					
8008-8410	BJ42			81760-60060-	1	1	80
8008-8309	FJ40			81760-60021-	1	1	
		1 81761   LENS, REAR SIDE MARKER LAMP, LH					
8008-8410	BJ42, FJ40			81751-60020-	1	1	80
		1 81764   GASKET, REAR SIDE MARKER LAMP BODY, LH					
8008-8410	BJ42, FJ40			81764-60020-	1	1	80
		1 81766   RIM, REAR SIDE MARKER LAMP, LH					
8008-8410	BJ42, FJ40			81916-89101-	1	1	80

PROD. DATE	MODELS	DESCRIPTION	R/P	PART NUMBER	QTY	REV. REF. CODE		
						FROM	UP TO	
		↑ 81930 ↓ CONTINUED						
8005-8410	BJ42, FJ40	LAMP ASSY, HEATER CONTROL INDICATOR, NO. 1		81930-22012-	1	1	80	
8110-8410	BJ42, FJ40	LWR		81930-60010-	1	7	80	
		↑ 81930B ↓						
8005-8410	BJ42, FJ40	BULB, HEATER CONTROL INDICATOR LAMP		90981-11006-	1	1	80	
8008-8410	BJ42, FJ40	12V 3W, UPR		90981-11010-	1	1	80	
		↑ 81936 ↓						
8008-8410	BJ42, FJ40	BRACKET, HEATER CONTROL INDICATOR LAMP		81943-90302-	1	1	18	
8210-8410	BJ42, FJ40			81879-90800-	1	19	80	

PROD. DATE	MODELS	DESCRIPTION	R/P	PART NUMBER	QTY	REV. REF. CODE		
						FROM	UP TO	

(8210- )



PROD. DATE	MODELS	DESCRIPTION	R/P	PART NUMBER	QTY	REV. REF. CODE	
						FROM	UP TO
FIG.	86-01 RADIO & TAPE PLAYER						
	1 86011	1 RADIO AND SETTING PARTS SET					
8008-8210	BJ42			86011-69015-	1	1	18
8008-8210	FJ40			86011-60031- (86120-35025-) (86012-69015-)	1	1	18
	1 86011A	1 CONDENSER RADIO SETTING					
8008-8410	BJ42, FJ40	VOLTAGE REGULATOR		90980-04811-	2	1	80
8008-8410	BJ42, FJ40	IGNITION OIL		90980-07021-	1	1	80
	1 86012	1 PARTS SET RADIO SETTING					
8008-8210	FJ40			86012-69015-	1	1	18
	1 86120	1 RECEIVER ASSY. RADIO					
8008-8110	BJ42	AM		86120-25020-	1	1	6
8110-8210	BJ42	AM		86120-60030-	1	7	18
8210-8410	BJ42	AM		86120-60041-	1	19	80
8008-8106	FJ40	AM		86120-35025-	1	1	
8106-8210	FJ40	AM		86120-60021-	1		18
8210-8309	FJ40	AM		86120-14520-	1	19	
	1 86211	1 BRACKET RADIO, NO. 1					
8210-8410	BJ42, FJ40			86211-60030-	1	19	80
	1 86212	1 BRACKET RADIO, NO. 2					
8210-8410	BJ42, FJ40			86212-60030-	1	19	80



PROD. DATE	MODELS	DESCRIPTION	PART NUMBER	QTY	REV. REF. CODE	
					FROM	UP TO
FIG. 87-6 HEATING & AIR CONDITIONING - WATER PIPING						
	87019C	GROMMET, HEATER HOSE				
8008-8410	BJ42, FJ40		90480-01167-	1	1	80
	87205	JOINT OR UNION, FRONT HEATER HOSE THROUGH OR INLET VALVE				
8008-8410	BJ42, FJ40		87251-30190-	1	1	80
	87240	VALVE ASSY, HEATER WATER				
8008-8410	BJ42	FR HEATER	87240-60031-	1	1	80
8008-8309	FJ40	FR HEATER	87240-60010-	1	1	
	87245A	HOSE, HEATER WATER INLET, A (FROM ENGINE)				
8008-8309	BJ42	XH, L=310	99552-30500-	1	1	
8309-8410	BJ42	L=310	99556-30310-	1		80
8008-8309	FJ40	XH, L=520	99552-30700- (99552-31000-)	1	1	
8309-8309	FJ40	L=520	99556-30520-	1		
	87245B	HOSE, HEATER WATER INLET, B				
8008-8110	BJ42	XH, L=230	99552-30300-	1	1	6
8110-8410	BJ42		87245-60080-		7	80
8008-8309	FJ40	XH, L=50	99552-30100-	1	1	
8309-8309	FJ40		99556-30050-	1		
	87246B	HOSE, HEATER WATER OUTLET, B				
8008-8110	BJ42		87245-60040-	1	1	6
8110-8410	BJ42		87245-60041-	1	7	80
8008-8309	FJ40		87245-60070-	1	1	
	87245E	HOSE, HEATER WATER OUTLET, E (TO ENGINE)				
8008-8309	BJ42		87247-20051- (87245-30331-)	1	1	
8309-8410	BJ42		87245-90A26-	1		80
8008-8309	FJ40	XH, L=320	99552-30500-	1	1	
8309-8309	FJ40	L=210	99556-30210-	1		
8309-8309	FJ40	L=520	99556-30320-	1		

PROD. DATE	MODELS	DESCRIPTION	PART NUMBER	QTY	REV. REF. CODE	
					FROM	UP TO
		CONTINUED				
8008-8309	FJ40..V..USA	HOSE, HEATER WATER OUTLET, E (TO ENGINE)	99552-30300-	1	1	
	87245A	PIPE, HEATER WATER INLET, A				
8008-8110	BJ42		87248-60251-	1	1	6
8110-8410	BJ42		87248-60252-	1	7	80
8008-8309	FJ40	W/RR HEATER	87248-60192-	1	1	
8008-8309	FJ40..USA	W/O RR HEATER	87248-60102-	1	1	
8008-8309	FJ40..V..USA	W/O RR HEATER, W/COOLER	87248-60280-	1	1	
8008-8309	FJ40..V..USA	W/RR HEATER, W/COOLER	87248-60300-	1	1	
	87248B	PIPE, HEATER WATER INLET, B				
8008-8410	BJ42, FJ40		87248-60190-	1	1	80
	87249A	PIPE, HEATER WATER OUTLET, A				
8008-8110	BJ42		87249-60121-	1	1	6
8110-8410	BJ42		87249-60122-	1	7	80
8008-8309	FJ40	W/RR HEATER	87248-60213-	1	1	
8008-8309	FJ40..USA	W/O RR HEATER	87249-60104-	1	1	
8008-8309	FJ40..V..USA	W/O RR HEATER, W/COOLER	87248-60291-	1	1	
8008-8309	FJ40..V..USA	W/RR HEATER, W/COOLER	87248-60311-	1		
	87249B	PIPE, HEATER WATER OUTLET, B				
8008-8410	BJ42	FR HEATER	87248-60260-	1	1	80
8008-8410	BJ42, FJ40	RR HEATER	87248-60400-	1	1	80
8008-8309	FJ40	FR HEATER	87248-90A05-	1	1	
	87251	JOINT OR UNION, WATER HOSE THROUGH				
8008-8410	BJ42		87251-30200-	1	1	80

\*H, L - hose to length as specified in remarks

## BOLT - BRACKET

C12

## BRACKET

PART	NAME	LOCATION
BOLT, STEERING LOCK SET		2-L5
BOLT, STUD (FOR AIR CLEANER SETTING)		1-K4
BOLT, STUD (FOR FRONT AXLE DIFFERENTIAL CARRIER SETTING)		2-A5
BOLT, STUD (FOR MANIFOLD TO CARBURETOR)		1-E4
BOLT, STUD (FOR MANIFOLD TO CYLINDER HEAD)		1-E4
BOLT, STUD (FOR MANIFOLD TO EXHAUST PIPE)		1-E4
BOLT, STUD (FOR OUTER SHAFT FLANGE)		2-D5
BOLT, STUD (FOR REAR AXLE HUB)		2-74
BOLT, STUD (FOR ROCKER SUPPORT)		1-L2
BOLT, STUD (FOR STEERING SET)		2-A6
BOLT, STUD (FOR VALVE PUSH ROD COVER)		1-J1
BOLT, STUD (FOR WATER PUMP COUPLING)		1-17
BOLT, STUD (FOR WINCH MOTOR)		2-A
BOLT, THROUGH		3-170
BOLT, U (FOR FRONT SPRING)		2-E8
BOLT, U (FOR REAR SPRING)		2-G8
BOLT, UNION (FOR OIL COOLER)		1-G3
BOLT, UNION (FOR OIL PUMP OUTLET PIPE)		1-C3
BOLT, VANE PUMP FRONT HOUSING AND REAR HOUSING SET		2-A6
BOLT, STUD (FOR TIMING GEAR CASE)		1-M1
BOOSTER ASSY, BRAKE		2-C7
BOOSTER KIT, BRAKE		2-C7
BOOT (FOR PUMP PLUNGER)		1-C7
BOOT, ACCELERATOR CONNECTING ROD		3-16
BOOT, CLUTCH MASTER CYLINDER		1-E1
BOOT, CLUTCH RELEASE FORK		2-B1
BOOT, DUST (FOR 5TH SHIFT ARM SHAFT)		2-H2
BOOT, MASTER CYLINDER		2-17
BOOT, PARKING BRAKE BELLCRANK		2-17
BOOT, RELEASE CYLINDER		2-G1
BOOT, RESERVOIR, NO.1 (FOR BRAKE MASTER CYLINDER SIDE)		2-M6
BOOT, SHIFT AND SELECT LEVER		3-J2
BOOT, SHIFT LEVER		2-J2
BOOT, TRANSFER FRONT DRIVE SHIFT SHAFT		2-E3
BOW SUB-ASSY, FRONT SIDE TOP, LH		3-K3
BOW SUB-ASSY, FRONT SIDE TOP, RH		3-K3
BOW, FRONT SIDE TOP OUTER, LH		3-K3
BOW, FRONT SIDE TOP OUTER, RH		3-K3
BRACKET (FOR COOL AIR INTAKE)		1-L4
BRACKET (FOR RADIATOR RESERVE TANK)		1-14
BRACKET ASSY, SAFETY STRAP, LH		3-C3
BRACKET ASSY, SAFETY STRAP, RH		3-C3
BRACKET ASSY, WINDSHIELD WASHER		3-A9
BRACKET SUB-ASSY, ACCELERATOR PEDAL SUPPORT		3-16
BRACKET SUB-ASSY, ACCELERATOR TORQUE ROD		2-16
BRACKET SUB-ASSY, ADJUSTING		1-M7
BRACKET SUB-ASSY, ENGINE FRONT MOUNTING, LH		3-A1
BRACKET SUB-ASSY, ENGINE FRONT MOUNTING, RH		3-A1
BRACKET SUB-ASSY, ENGINE REAR MOUNTING		3-B1
BRACKET SUB-ASSY, FRONT BUMPER, LH		3-H1
BRACKET SUB-ASSY, FRONT BUMPER, RH		3-H1
BRACKET SUB-ASSY, FRONT SHOCK ABSORBER, UPPER LH		2-E8
BRACKET SUB-ASSY, FRONT SHOCK ABSORBER, UPPER RH		2-E8
BRACKET SUB-ASSY, HAND BRAKE SIGNAL SWITCH		3-F8
BRACKET SUB-ASSY, HORN		3-F9
BRACKET SUB-ASSY, JACK HANDLE		3-M5
BRACKET SUB-ASSY, OIL FILTER		1-E3
BRACKET SUB-ASSY, REAR LICENSE PLATE		3-M5
BRACKET SUB-ASSY, REAR SPRING FRONT, LH		2-H8
BRACKET SUB-ASSY, REAR SPRING FRONT, RH		2-H8
BRACKET SUB-ASSY, STEERING COLUMN		2-L5
BRACKET, ACCELERATOR WIRE SUPPORT		3-16
BRACKET, AIR PUMP		1-A5
BRACKET, AIR SWITCHING VALVE		1-C5

PART	NAME	LOCATION
BRACKET, ALTERNATOR, NO.1		1-C2
BRACKET, BAND, NO.1		3-D3
BRACKET, BAND, NO.2		3-D3
BRACKET, BELLCRANK		2-H7
BRACKET, BLOWER MOTOR, LOWER		3-B2
BRACKET, BODY MOUNTING, NO.2		3-B1
BRACKET, BODY MOUNTING, NO.3		3-B1
BRACKET, BODY MOUNTING, NO.4		3-B1
BRACKET, BRAKE PEDAL		2-L6
BRACKET, CABLE GUIDE SUPPORT		2-J6
BRACKET, CENTER ARM		2-H6
BRACKET, CHARCOAL CANISTER SUPPORT		3-G6
BRACKET, COMBINATION REAR LAMP, LH		3-M5
BRACKET, COMBINATION REAR LAMP, RH		3-M5
BRACKET, COMPRESSOR MOUNTING, NO.1		3-J10
BRACKET, COOLER CONTROL SWITCH		3-M9
BRACKET, COOLING UNIT, NO.1		3-L9
BRACKET, COOLING UNIT, NO.2		3-L9
BRACKET, COOLING UNIT, NO.3		3-L9
BRACKET, DIAPHRAGM CONNECTING		1-L7
BRACKET, ENGINE MOUNTING, FRONT NO.1 LH		1-C2
BRACKET, ENGINE MOUNTING, FRONT NO.1 RH		1-C2
BRACKET, EXHAUST PIPE CENTER (FOR FRONT)		1-14
BRACKET, EXHAUST PIPE FRONT (FOR FRONT)		1-H4
BRACKET, EXHAUST PIPE FRONT (FOR REAR)		1-H4
BRACKET, FLEXIBLE HOSE (FOR REAR)		2-M7
BRACKET, FRONT DOOR DIVISION BAR SET		3-A4
BRACKET, FRONT FLEXIBLE HOSE		2-M7
BRACKET, FRONT LICENSE PLATE		3-M5
BRACKET, FRONT SIDE TOP BOW, LH		3-K3
BRACKET, FRONT SIDE TOP BOW, RH		3-K3
BRACKET, FRONT SPRING (FOR FRONT LH)		2-E8
BRACKET, FRONT SPRING (FOR FRONT RH)		2-E8
BRACKET, FRONT SPRING (FOR REAR LH)		2-E8
BRACKET, FRONT SPRING (FOR REAR RH)		2-E8
BRACKET, FUEL CONTROL MOTOR		3-18
BRACKET, FUEL TANK, NO.1		3-F6
BRACKET, FUEL TANK, NO.2		3-F6
BRACKET, HEAT INSULATOR, NO.1		1-14
BRACKET, HEAT INSULATOR, NO.2		1-14
BRACKET, HEATER CONTROL INDICATOR LAMP		3-C8
BRACKET, IDLE PULLEY		3-J10
BRACKET, INDICATOR LAMP		3-B8
BRACKET, POWER STEERING IDLE PULLEY		2-D6
BRACKET, PROPORTIONING VALVE		2-L7
BRACKET, PUMP		2-E5
BRACKET, RADIATOR SHUTTER SUPPORT, LH		3-A2
BRACKET, RADIATOR SHUTTER SUPPORT, RH		3-A2
BRACKET, RADIO, NO.1		3-C9
BRACKET, RADIO, NO.2		3-C9
BRACKET, REAR BODY MOUNTING, NO.1		3-B1
BRACKET, RECEIVER TANK, NO.1		3-F10
BRACKET, RELAY, NO.2		3-H8
BRACKET, RH SEAT SET INSIDE (FOR SEPARATE SEAT)		3-C5
BRACKET, RH SEAT SET OUTSIDE (FOR SEPARATE SEAT)		3-C5
BRACKET, ROLL BAR INNER, LH		3-G5
BRACKET, ROLL BAR INNER, RH		3-G5
BRACKET, SPEAKER, FRONT NO.1		3-D9
BRACKET, STEERING COLUMN, UPPER		2-K5
BRACKET, STEERING DAMPER SUPPORT		2-76
BRACKET, STEERING GEAR HOUSING		2-K5
BRACKET, TAIL PIPE (FOR REAR)		1-14
BRACKET, THROTTLE ROD		3-J6
BRACKET, TOOL BAG BAND		3-M5

## RING - ROTOR

C13

## ROTOR - SEAL

PART	NAME	LOCATION
RING, O (FOR VANE PUMP HOUSING SET BOLT)		2-A6
RING, O (FOR VANE PUMP OIL RESERVOIR)		2-B6
RING, O (FOR WINCH GEAR CASE COVER)		2-K3
RING, O (FOR WINCH MOTOR)		2-A4
RING, PISTON		3-J10
RING, SEALED BEAM MOUNTING, NO.1 LH		3-K6
RING, SEALED BEAM MOUNTING, NO.1 RH		3-K6
RING, SEALED BEAM RETAINING		3-K6
RING, SET (FOR FRONT DISC BRAKE PISTON)		2-E7
RING, SET (FOR RELAY ROD)		2-H6
RING, SET (FOR STEERING DRAG LINK)		2-I6
RING, SET (FOR TIE ROD END DUST SEAL)		2-H6
RING, SHAFT SNAP (FOR CLUTCH HUB SET)		2-B2
RING, SHAFT SNAP (FOR FRONT BEARING)		2-B2
RING, SHAFT SNAP (FOR FRONT DOOR WINDOW REGULATOR HANDLE)		3-E4
RING, SHAFT SNAP (FOR FRONT DRIVE INNER SHAFT INNER)		2-C5
RING, SHAFT SNAP (FOR FRONT DRIVE INNER SHAFT OUTER)		2-C5
RING, SHAFT SNAP (FOR REVERSE & 5TH SHIFT RETURN PLUNGER)		2-G2
RING, SHAFT SNAP (FOR SHIFT ARM SHOE)		2-F2
RING, SHAFT SNAP (FOR STEERING MAIN SHAFT)		2-J5
RING, SHAFT SNAP (FOR TRANSFER OUTPUT SHAFT)		2-C3
RING, SHAFT SNAP (FOR 1ST & 2ND SHIFT RETURN PLUNGER)		2-G2
RING, SHAFT SNAP (FOR 3RD & 4TH SHIFT FORK SHAFT)		2-G2
RING, SNAP (FOR ALTERNATOR ROTOR)		1-C6
RING, SNAP (FOR BRAKE MASTER CYLINDER SIDE)		2-I5
RING, SNAP (FOR FLOW CONTROL VALVE)		2-A6
RING, SNAP (FOR GOVERNOR WEIGHT)		1-L5
RING, SNAP (FOR MAGNET CLUTCH)		3-J10
RING, SNAP (FOR STARTER PINION STOP NUT)		1-H6
RING, SNAP CAMSHAFT (FOR TIMING GEAR)		1-K2
RING, SNAP, COUNTER GEAR REAR BEARING		2-D2
RING, SNAP, NO.1 (FOR CARBURETOR LINK)		1-D7
RING, SPACE (FOR ALTERNATOR ROTOR)		1-B6
RING, SYNCHRONIZER (FOR NO.2 CLUTCH HUB)		2-C2
RING, SYNCHRONIZER (FOR NO.3 CLUTCH HUB)		2-C2
RING, THROTTLE		3-J6
ROD ASSY, HIGH AND LOW SHIFT, NO.2		2-E3
ROD ASSY, STEERING RELAY		2-I6
ROD ASSY, TIE		2-I6
ROD SUB-ASSY, ACCELERATOR CONNECTING, NO.1		3-I6
ROD SUB-ASSY, ACCELERATOR CONNECTING, NO.2		3-I6
ROD SUB-ASSY, ACCELERATOR CONNECTING, NO.3		3-I6
ROD SUB-ASSY, BOOSTER PUSH		2-C7
ROD SUB-ASSY, CONNECTING		1-C2
ROD, BACK DOOR LOCK CONTROL, LOWER		3-J4
ROD, BACK DOOR LOCK CONTROL, UPPER		3-J4
ROD, CLUTCH MASTER CYLINDER PUSH		2-E1
ROD, FUEL CONTROL MOTOR		3-I8
ROD, HOOD SUPPORT		3-M1
ROD, RADIATOR BRACE, LH		3-A2
ROD, RADIATOR BRACE, RH		3-A2
ROD, RELEASE CYLINDER PUSH, NO.1		2-G1
ROD, RELEASE CYLINDER PUSH, NO.2		2-G1
ROD, STEERING RELAY		2-I6
ROD, STEERING TIE		2-I6
ROD, VALVE PUSH		1-L6
ROLLER OR BEARING, INPUT SHAFT NEEDLE		2-B2
ROLLER SUB-ASSY, WINCH WIRE GUIDE		2-M3
ROLLER, FEED PUMP TAPPET		1-B8
ROLLER, NO.1 (FOR SHIFT INTER-LOCK)		2-B2
ROLLER, NO.2 (FOR SHIFT INTER-LOCK)		2-B2
ROLLER, STARTER IDLE GEAR CLUTCH		3-H6
ROLLER, WINCH WIRE GUIDE, NO.2		2-M3
ROTOR ASSY, ALTERNATOR		1-C6

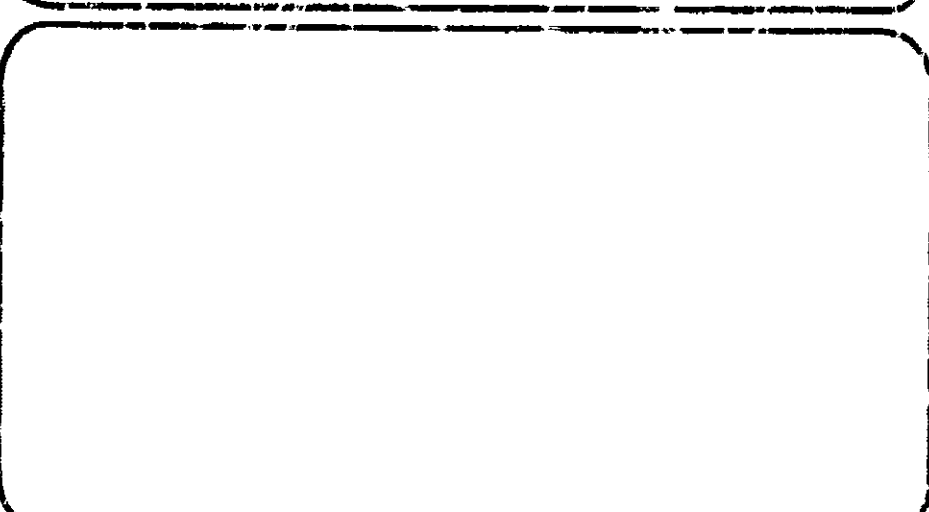
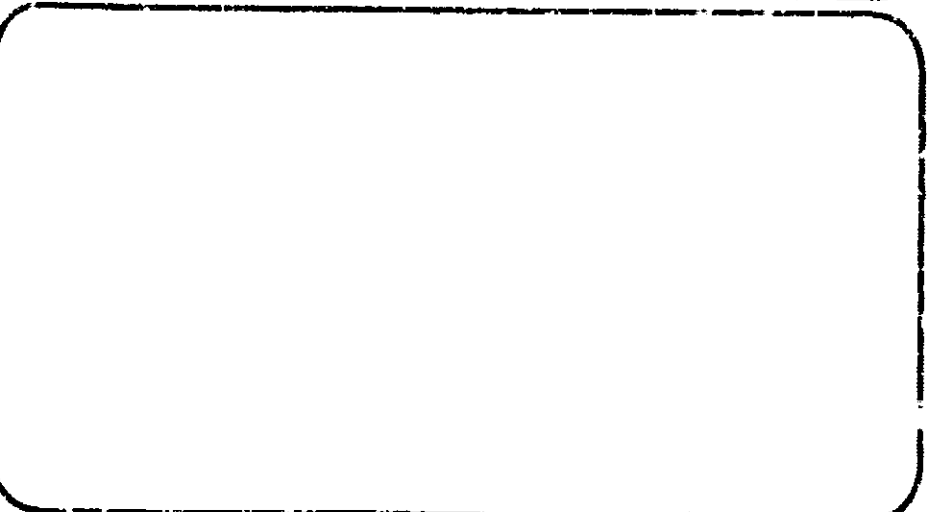
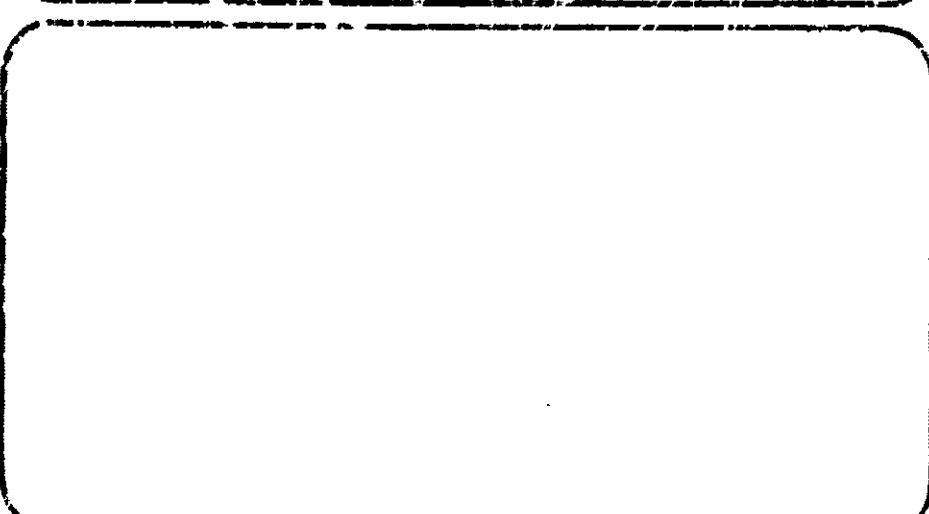
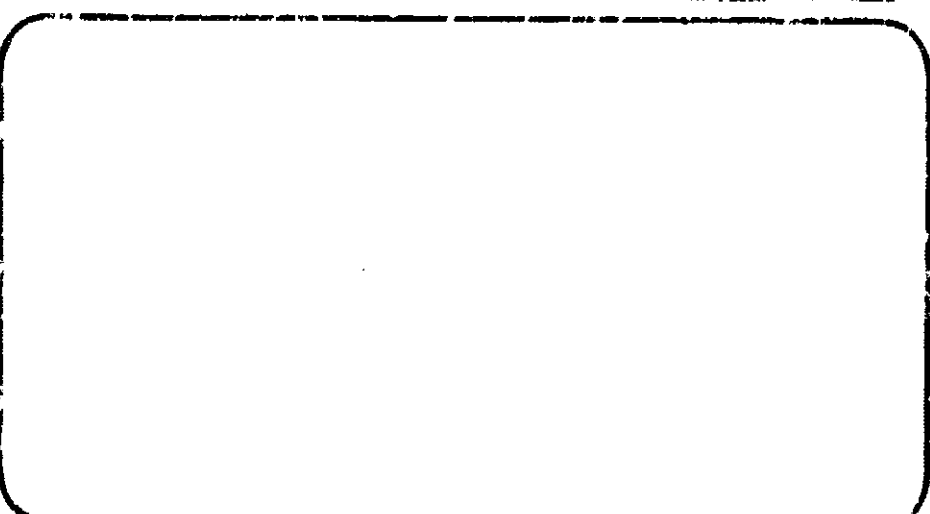
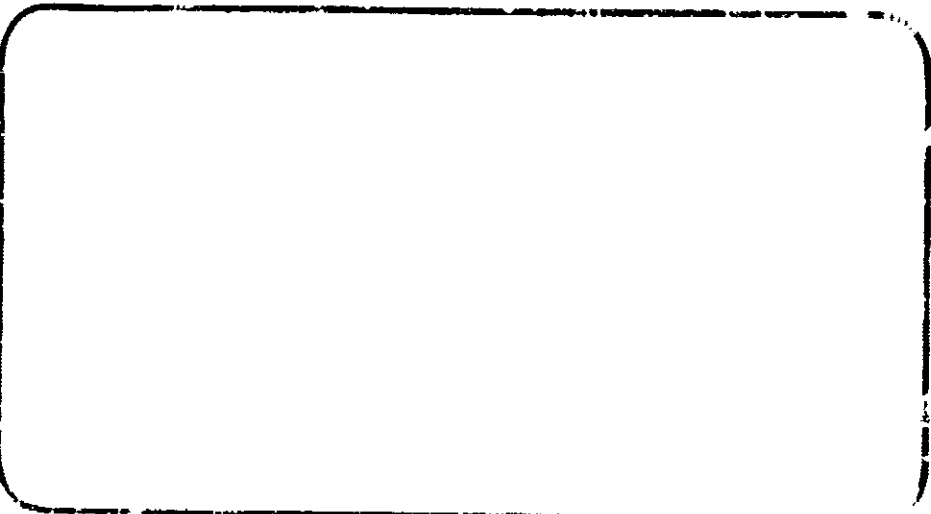
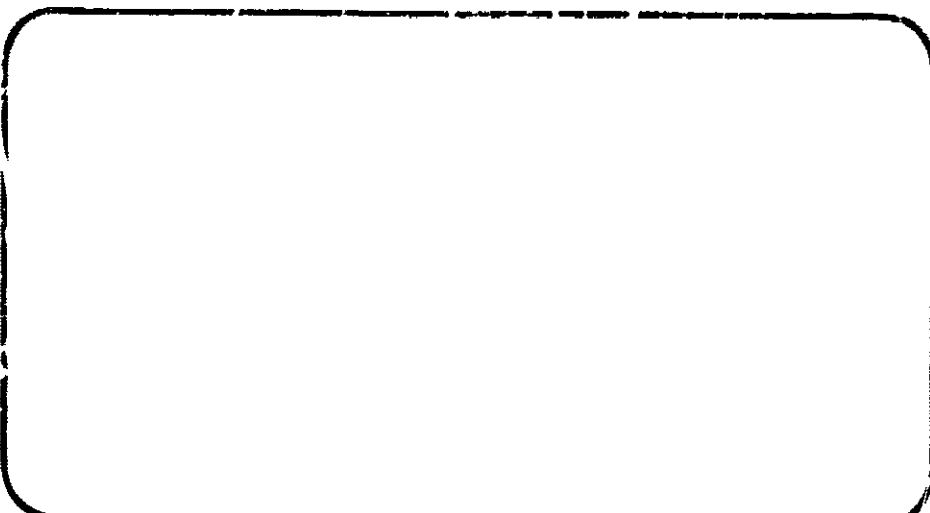
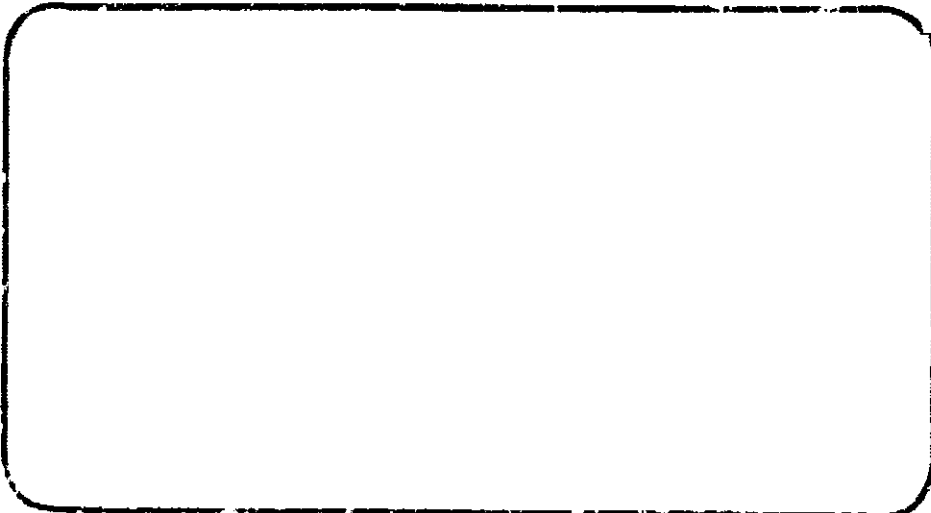
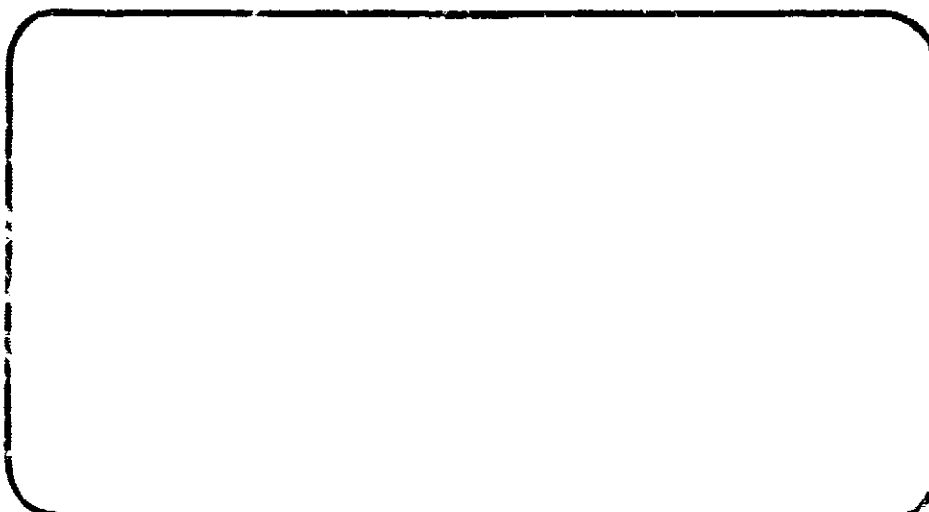
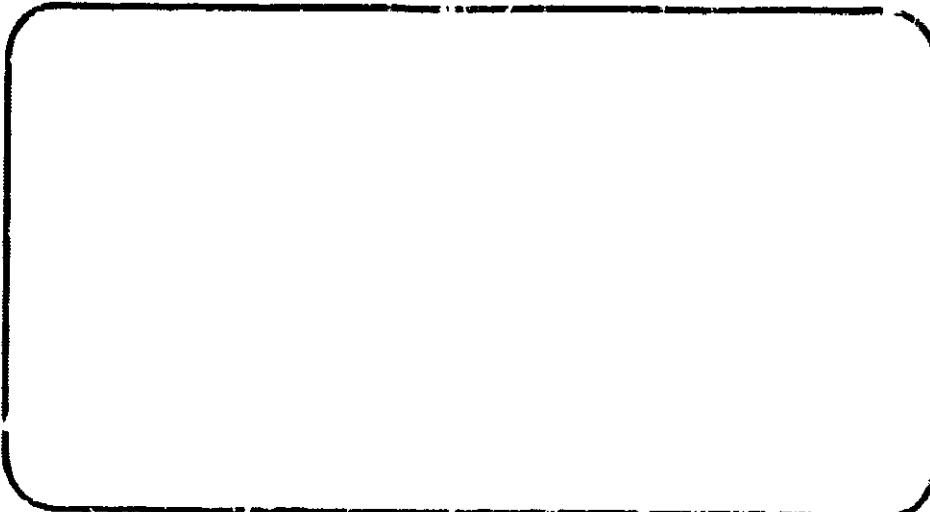
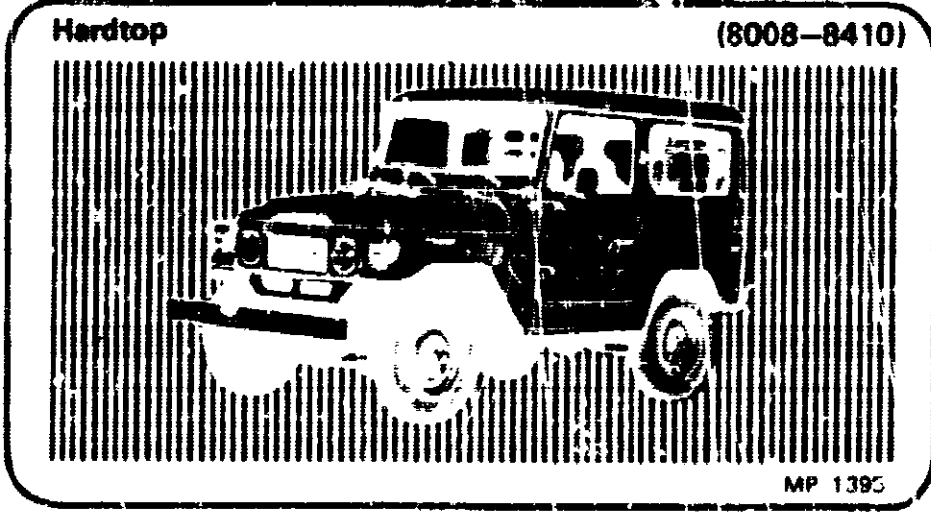
PART	NAME	LOCATION
ROTOR KIT, WATER PUMP		1-I3
ROTOR SUB-ASSY, DISTRIBUTOR		1-L5
ROTOR SUB-ASSY, MAGNET CLUTCH		3-I10
ROTOR SUB-ASSY, SIGNAL		1-L3
ROTOR, WATER PUMP		1-I3
RUBBER (FOR STARTER BEARING COVER)		1-G6
RUBBER (FOR STARTER YUKE)		1-F6
RUBBER, WINDSHIELD WIPER		3-K8
RUN, FRONT DOOR GLASS		3-M3
RUN, FRONT DOOR GLASS, LOWER		3-M3
SAFETY PAD SUB-ASSY, INSTRUMENT PANEL, UPPER		3-D2
SCREW (FOR CHOKE LEVER ADAPTOR SET)		1-D7
SCREW (FOR WINCH CONTROL SWITCH)		2-B4
SCREW OR BOLT (FOR VALVE ROCKER SHAFT LOCK)		1-L2
SCREW, BEARING LOCK NUT		2-I4
SCREW, CROSSHAFT ADJUSTING		2-J5
SCREW, DIAPHRAGM HOUSING SET		1-L7
SCREW, FUEL PIPE FOLLOW		1-E8
SCREW, HEADLAMP ADJUSTING		3-K6
SCREW, IDLE ADJUSTING		1-B7
SCREW, PLUNGER CONTROL PINION CLAMP		1-I3
SCREW, POWER PISTON STOP		1-D7
SCREW, PUMP ARM SET		1-D7
SCREW, RACE GUIDE		1-H7
SCREW, SECTOR SHAFT ADJUSTING		2-L3
SCREW, SET (FOR CARBURETOR LEVEL GAGE CLAMP SET)		1-D7
SCREW, SET, NO.2 (FOR CARBURETOR BODY SET)		1-D7
SCREW, STOP PLATE ADJUSTING		1-K8
SCREW, THROTTLE ADJUSTING		1-B7
SCREW, VALVE ADJUSTING		1-L2
SCREW, 1ST THROTTLE ADJUSTING		1-B7
SEAL ASSY, COOLER COMPRESSOR SHAFT		3-J10
SEAL OR RING, O (FOR VALVE STEM OIL)		1-K2
SEAL SET, WATER PUMP		1-I3
SEAL SUB-ASSY, STEERING KNUCKLE OIL		2-A6
SEAL, CENTER ARM DUST, LOWER		2-H6
SEAL, DRAG LINK DUST		2-I6
SEAL, DUST (FOR FRONT AXLE HUB)		2-B8
SEAL, DUST (FOR RELAY ROD)		2-H6
SEAL, DUST (FOR STEERING CENTER ARM)		2-H6
SEAL, DUST (FOR TIE ROD END)		2-H6
SEAL, ENGINE REAR OIL		1-A2
SEAL, FRONT SIDE COVER TARPULIN		3-K3
SEAL, GEAR CASE COVER OIL		2-L3
SEAL, GEAR CASE OIL		2-L3
SEAL, LEAD		1-J8
SEAL, OIL (FOR ADJUSTER PLUG)		2-I5
SEAL, OIL (FOR CRANKSHAFT)		1-H2
SEAL, OIL (FOR FRONT AXLE HUB)		2-D5
SEAL, OIL (FOR HIGH & LOW SHIFT INNER LEVER)		2-D3
SEAL, OIL (FOR NO.3 LEVER)		1-M7
SEAL, OIL (FOR OUTPUT SHAFT BEARING FRONT RETAINER)		2-M2
SEAL, OIL (FOR OUTPUT SHAFT RETAINER)		2-M2
SEAL, OIL (FOR POWER STEERING GEAR HOUSING)		2-I5
SEAL, OIL (FOR REAR AXLE HUB)		2-I4
SEAL, OIL (FOR REAR AXLE SHAFT OUTER)		2-I4
SEAL, OIL (FOR REAR AXLE SHAFT)		2-I4
SEAL, OIL (FOR REAR DIFFERENTIAL CARRIER)		2-E4
SEAL, OIL (FOR SECTOR SHAFT)		2-K5
SEAL, OIL (FOR STEERING WORM)		2-K5
SEAL, OIL (FOR TIMING GEAR COVER)		1-M1
SEAL, OIL (FOR TRANSFER ADAPTER)		2-K1

PART NUMBER	LOCATION	PART NUMBER	LOCATION	PART NUMBER	LOCATION	PART NUMBER	LOCATION	PART NUMBER	LOCATION	PART NUMBER	LOCATION
19121-27020-	1-L5	21618-14010-	1-C7	22174-47010-	1-I7	22526-77020-	1-B8	23645-46010-	1-F7	26132-56011-	1-K8
-41140-	1-L5	21622-61010-	1-C7	22177-56041-	1-I7	22527-56010-	1-B8	23646-46010-	1-F7	26171-56020-	1-K8
19122-45070-	1-L5	21633-24030-	1-C7	-56042-	1-I7	22528-77020-	1-B8	23647-46010-	1-F7	27020-6170-	1-B6
-88262-	1-L5	21641-38310-	1-B7	22178-56011-	1-L7	22529-67010-	1-B8	23648-46010-	1-F7	-56250-	1-B6
19127-41141-	1-L5	21645-33080-	1-C7	22181-56040-	1-I7	22535-46010-	1-B8	23649-46010-	1-F7	-57121-	1-B6
-52020-	1-L5	21649-33080-	1-C7	22182-46010-	1-I7	22610-56040-	1-C8	23651-46010-	1-F7	-61071-	1-B6
19144-61091-	1-L5	-38010-	1-D7	22183-46010-	1-I7	-58010-	1-C8	23652-46010-	1-F7	-61081-	1-B6
19151-61100-	1-L5	21655-44101-	1-D7	22184-46010-	1-I7	22611-46010-	1-J7	23654-46010-	1-F7	-61100-	1-B6
19152-45060-	1-L5	-60200-	1-C7	22185-46010-	1-I7	22614-56020-	1-C8	23701-56030-	1-G7	27036-57100-	1-B6
19153-61051-	1-L5	21669-61011-	1-C7	22186-46010-	1-I7	22615-56040-	1-C8	23702-56030-	1-G7	27039-15010-	1-B6
-61102-	1-L5	-61100-	1-C7	-48010-	1-I7	22616-56030-	1-C8	23703-56020-	1-G7	27062-45050-	1-B6
19154-61091-	1-L5	21673-38020-	1-L6	22187-46010-	1-I7	22626-56030-	1-C8	23704-56020-	1-G7	27212-39050-	1-B6
-61102-	1-L5	-61140-	1-B7	22188-46010-	1-I7	-56050-	1-C8	23741-56010-	1-G7	27310-15030-	1-B6
19159-32010-	1-L5	21699-61010-	1-C7	22189-46010-	1-I7	22680-48061-	1-L7	23760-56020-	1-F7	-38061-	1-B6
19181-61091-	1-L5	21722-60200-	1-C7	-48031-	1-I7	-48062-	1-M7	-56021-	1-F7	-45110-	1-B6
-70010-	1-L5	21723-11041-	1-C7	-48032-	1-I7	22686-48061-	1-M7	-56022-	1-F7	-56140-	1-B6
19195-61100-	1-L5	-21030-	1-C7	-48033-	1-I7	22692-56040-	1-M7	23770-56030-	1-F7	-56160-	1-C6
19220-61091-	1-L5	-61140-	1-C7	-48034-	1-I7	-56041-	1-M7	-56050-	1-F7	-57061-	1-B6
-61102-	1-M5	21724-61140-	1-C7	-48035-	1-I7	22693-77130-	1-M7	23811-56040-	1-G7	-61070-	1-B6
19242-61091-	1-M5	21734-21030-	1-C7	-48036-	1-J7	22694-77130-	1-M7	-56060-	1-G7	27312-56070-	1-B6
-61100-	1-M5	21735-44010-	1-C7	22190-56042-	1-M7	22697-56040-	1-M7	23812-56040-	1-G7	-57060-	1-B6
-61102-	1-M5	21738-60070-	1-C7	22195-48030-	1-J7	22698-56040-	1-M7	23811-61032-	1-K6	27313-57060-	1-C6
19250-61100-	1-M5	21756-61010-	1-D7	22197-77140-	1-M7	22699-56130-	1-M7	23820-61070-	1-K6	27315-56070-	1-C6
-61102-	1-M5	21753-38010-	1-D7	22303-47010-	1-L7	-77131-	1-M7	23841-61021-	1-K6	-57060-	1-C6
19519-38030-	1-J5	21781-30020-	1-D7	22308-56130-	1-L7	22699-56130-	1-M7	23842-61031-	1-K6	27330-26050-	1-C6
19850-68040-	1-J5	21791-60010-	1-D7	22311-77130-	1-L7	22703-77140-	1-M7	23906-58010-	3-F6	-45070-	1-C6
-68066-	1-J5	21826-24470-	1-D7	22318-48030-	1-L7	22811-56010-	1-G7	23921-61031-	1-F8	-54050-	1-C6
19871-56020-	1-J5	21832-33010-	1-D7	22319-77010-	1-L7	-56011-	1-G7	-61011-	1-G8	-54100-	1-C6
19905-40010-	1-M5	21834-31140-	1-D7	22320-58030-	1-L7	23100-61030-	1-D8	23930-57011-	1-G8	27333-57060-	1-B6
21024-61010-	1-B7	21842-33010-	1-D7	22323-58010-	1-L7	23300-58010-	1-F8	23931-61010-	1-G8	27550-56140-	1-C6
21054-61020-	1-C7	21864-26020-	1-B7	-77010-	1-L7	-56040-	1-F8	25601-61040-	1-H8	-57061-	1-C6
-61140-	1-C7	21894-61020-	1-C7	22326-58010-	1-L7	23303-56031-	1-F8	25602-61030-	1-H8	27551-38051-	1-C6
21062-61021-	1-D7	21912-61020-	1-L6	22329-77021-	1-L7	23311-56040-	1-F8	25611-61011-	1-H8	-56013-	1-C6
-61060-	1-D7	-61032-	1-L6	-77130-	1-L7	23312-56021-	1-F8	25620-61071-	1-H8	27353-56090-	1-C6
21100-61102-	1-L6	22100-58030-	1-G7	22333-56040-	1-L7	23319-46010-	1-F8	25625-61020-	1-H8	27356-51020-	1-C6
-61140-	1-L6	-56031-	1-G7	22354-77050-	1-J8	-48010-	1-F8	-61031-	1-H8	27359-51040-	1-C6
-61141-	1-L6	22102-77021-	1-H7	22355-36010-	1-J8	23338-54010-	1-F8	25631-61030-	1-H8	-45122-	1-C6
21112-61112-	1-B7	22103-48030-	1-H7	-54010-	1-F8	23351-46010-	1-F8	25680-61030-	1-H8	-45140-	1-C6
-61140-	1-B7	22104-77020-	1-H7	23353-46010-	1-F8	-54010-	1-F8	25709-61010-	1-G5	27362-61100-	1-C6
21165-61010-	1-B7	22105-58010-	1-H7	-54010-	1-F8	23600-56011-	1-E7	25710-61021-	1-C5	-76010-	1-C6
21191-61140-	1-B7	22106-46010-	1-H7	23600-56011-	1-E7	-68010-	1-E7	25716-61011-	1-C5	-70011-	1-C6
21192-61020-	1-B7	22114-48030-	1-H7	23618-56010-	1-E7	23619-46010-	1-E7	26100-58020-	1-J8	27370-57100-	1-C6
21205-61011-	1-B7	22115-77020-	1-H7	23619-46010-	1-E7	-58021-	1-J8	-58021-	1-J8	27371-31011-	1-D6
21209-33011-	1-B7	22116-46010-	1-H7	23620-54010-	1-E7	26102-58020-	1-J8	-58021-	1-J8	-56070-	1-D6
21271-61061-	1-B7	22131-77020-	1-H7	-68010-	1-E7	26112-56050-	1-J8	26113-56050-	1-J8	27380-57060-	1-C6
-61140-	1-B7	22142-77020-	1-H7	23624-47011-	1-E7	-59020-	1-J8	-59020-	1-J8	27410-15030-	1-D6
21272-61140-	1-B7	22143-77020-	1-I7	22449-48030-	1-M7	-58021-	1-J8	-58021-	1-J8	-41080-	1-D6
21273-30252-	1-B7	22144-46010-	1-I7	22457-58010-	1-L7	-58021-	1-J8	-58021-	1-J8	-54030-	1-D6
-38010-	1-B7	22145-46010-	1-I7	22501-77021-	1-A8	23628-46010-	1-E7	-68012-	1-J8	27411-57060-	1-D6
-61140-	1-B7	22146-56010-	1-I7	22510-56040-	1-A8	23629-46010-	1-E7	26114-76010-	1-J8	-57061-	1-D6
21291-34320-	1-B7	22147-77020-	1-I7	22512-77020-	1-A8	23631-46010-	1-E7	26115-76010-	1-J8	-50032-	1-D6
21301-61023-	1-B7	22148-46010-	1-I7	22513-77020-	1-A8	23633-46010-	1-E7	26116-76010-	1-J8	27412-31040-	1-C6
-61050-	1-B7	22149-76010-	1-I7	22515-77021-	1-A8	23634-46010-	1-E7	26118-48014-	1-K8	-45070-	1-B6
21304-61060-	1-B7	22150-67010-	1-H7	22518-56010-	1-A8	23635-46010-	1-F7	26119-56010-	1-K8	-34040-	1-B6
21313-11020-	1-B7	22155-76010-	1-I7	-56011-	1-A8	23636-46010-	1-F7	26124-56010-	1-K8	-57060-	1-C6
21314-11020-	1-B7	22156-76010-	1-I7	-56012-	1-A8	23637-46010-	1-F7	-56020-	1-K8	27441-31030-	1-D6
21346-61140-	1-B7	22157-48023-	1-I7	-56013-	1-A8	23638-46010-	1-F7	-53021-	1-K8	-45110-	1-D6
21351-34030-	1-B7	22161-76010-	1-I7	-77020-	1-A8	23639-46010-	1-F7	26151-58020-	1-K8	-54040-	1-D6
21353-61020-	1-C7	22162-76010-	1-I7	22519-48010-	1-A8	23641-46010-	1-F7	-58022-	1-K8	-56050-	1-C6
21392-61020-	1-C7	22163-76010-	1-I7	22521-77021-	1-A8	23642-46010-	1-F7	-58023-	1-K8	27700-13060-	3-E8
21398-31010-	1-C7	22164-76010-	1-I7	22522-77020-	1-B8	23643-46010-	1-F7	-58024-	1-K8	-36100-	3-E8
21611-22010-	1-C7	22165-76010-	1-I7	22524-77021-	1-B8	23644-46010-	1-F7	26132-56010-	1-K8	-57030-	3-E8
21614-60200-	1-C7	22168-76010-	1-I7	22525-77020-	1-B8						
21617-50610-	1-C7	22173-46010-	1-I7								

I. MODELS COVERED & CHARACTERISTICS  
Vehicle Appearance

C15

Softtop  
TOYOTA LAND CRUISER Hardtop (Production from Aug., '80 up to Oct., '84)



# MARK & ABBREVIATION LIST

C16

Mark	Definition	Mark	Definition
PTO	Power Take-off	TOYO	Toyo Rubber Industrial Company Limited
PV	Proportioning Valve	TOYOTA	Toyota Motor Corporation
R	Ratio	TP	Vinyl Softtop (Tarpaulin)
RB	With Roll-over	TPS	Vinyl Softtop (Tarpaulin), Standard type
RCB	Regular Cab	TR	Truck (Pickup)
REP	Repair	TVSV	Thermostatic Vacuum Switching Valve
RH	Right-hand	TVTV	Thermostatic Vacuum Transmitting Valve
RHD	Right-hand Drive	UPR	Upper
RR	Rear	U/S	Underside
S	Screw Length (mm)	USA	For the United States of America
SD	Swing Door	V	Van (Hardtop)
SDX	Super Deluxe type	V	Volts
SED	Sedan	VCV	Vacuum Control Valve
SL	SL type	VKC	Van (Hardtop), with swing out back door
SM-SP	Semi-Separate Seat	VL	Vinyl Leatherette
SMG	Speedometer Gear	VLC	Van (Hardtop), with lift up and swing out back door
SP	Separate Seat	VLS	Van (Hardtop), with lift up and swing out back door
SP-BN	Split Bench Seat	VSV	Vacuum Switching Valve
SPFF	Special type	VT	Vacuum Transmitting Valve
SPL	Special type	W	Watts
SPR	Supra (CELICA Supra)	W	With
SR	SR type	WC	Wheel Cylinder
SR5	SR-5 type	WD	Wire Diameter (mm)
S/S	Semiscide	WG	Station Wagon
SSV	Super Soft Vinyl Leather	WGV	Station Wagon (V)
ST	ST type	WGS	Station Wagon (G)
STD	Standard type	W	Without
S/IRG	Steering	WP3	With Passive Belt
SUMITOMO	Sumitomo Electric Industry Company Limited	WSW	White Side Wall Tire
SW	Switch	W T	With Tube
T	Thickness (mm)	XTR	Xtra Cab
T1	Truck (Pickup, low loader, 1-side open)	YAZAKI	Yazaki Corporation
TAKATA	Takata Corporation	YOKOHAMA	The Yokohama Rubber Company Limited
TANAKA	Tosaka Instrument Company Limited (T.N.K.)	YASA	Yuasa Battery Company Limited
TEN	Fujitsu Ten Company Limited		
T/L	Tubeloss		
TMC	TOYOTA MOTOR CORPORATION		
TOKAIRIYA	Tokai Pixa Company Limited		
TOKIKO	Tokiko Company Limited		
TOSHIBA	Tokyo Shibaura Electric Company Limited		

(2) Abbreviation Under Heading R P and QTY in Text

Mark	Meaning	Definition
O.P.	*	Old parts number (Old)
	X	Modified old parts number which has been substituted by a number of parts and/or if substituted parts are specified by applicable models or other determining specifications, refer to SUBSTITUTE SUPPLY PARTS LIST (SSPL) for detailed information (Old)
	N	New main part number or substituted new
	*	Part number to be attached to main part (New)
QTY	Q	Required quantity

(3) CHANGES TO TEXT & APPENDICES

Certain codes are used to indicate changes to the text and/or appendix. These codes appear in the marginal area of the affected page as follows:

CODE	LOCATION	EXPLANATION
C	Text	Changes of Parts Number, Model and Production Date.
N	Appendix Text & Appendix	Newly available Toyota Parts from other vehicle models.
S	Appendix Text & Appendix	Part application expanded to include other vehicle models.

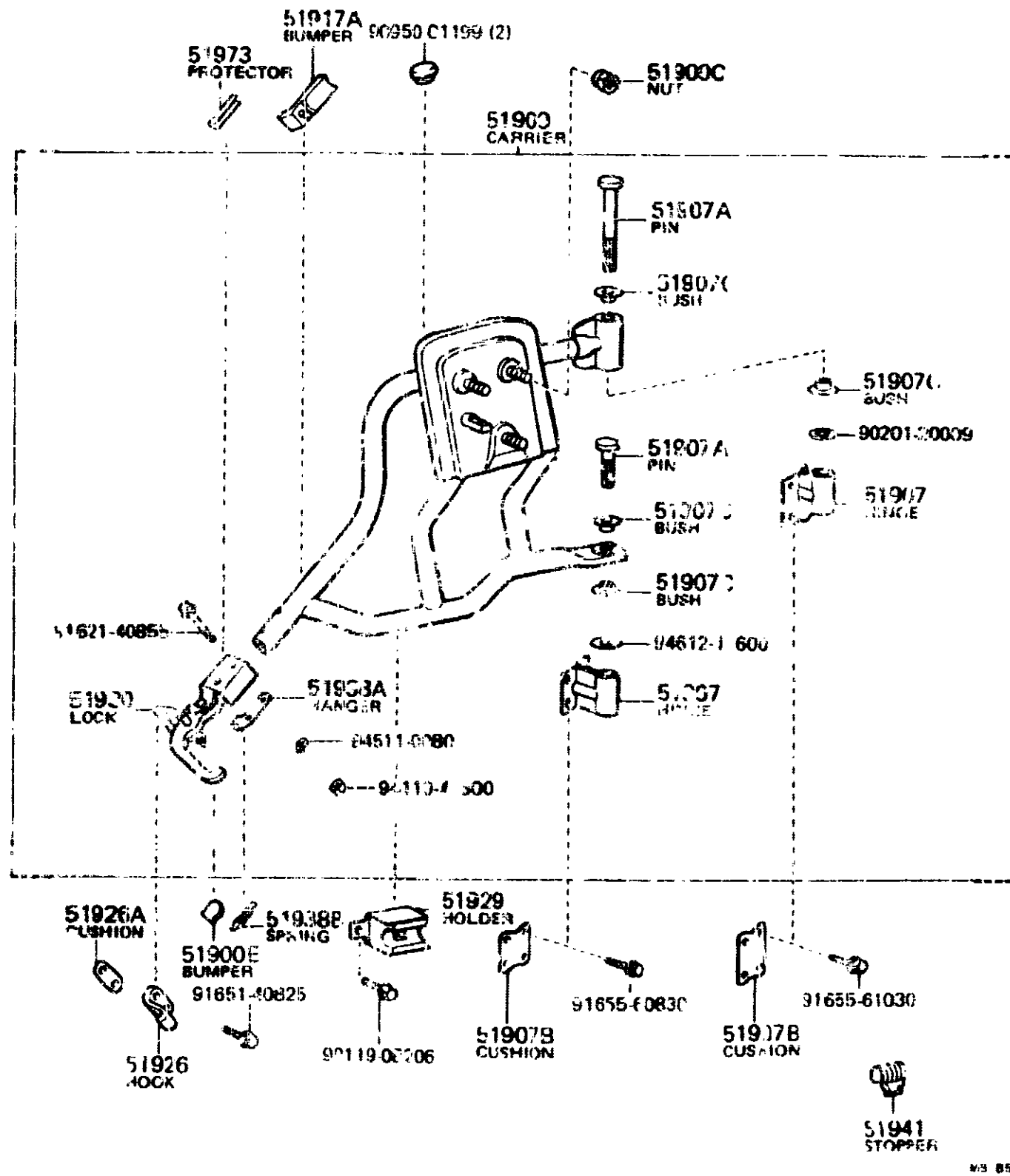
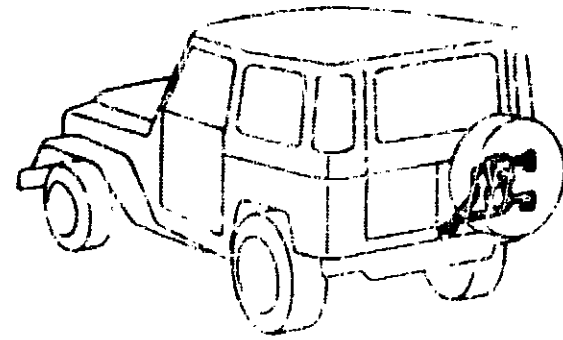
(1/2) (2/2)

FIG. 51-53 SPARE WHEEL CARRIER

3-D1

GENUINE TOYOTA PARTS

( 8008-- )



PROD. DATE	M O D E L S	DESCRIPTION	P / P	PART NUMBER	QTY	REV. REF. CODE	
						FROM	UP TO
FIG.	51-53	SPARE WHEEL CARRIER					
		51900 CARRIER ASSY, SPARE WHEEL					
8008-8010	BJ42, FJ40			# 51903-90800- (51903-90803-	1		1
8010-8410	BJ42, FJ40			51903-90803-	1		80
		51900E HINGE SUB-ASSY, SPARE WHEEL, HUB					
8008-8410	BJ42, FJ40			90942-01007-	3		80
		51900E BUMPER, SPARE WHEEL CARRIER					
8008-8410	BJ42, FJ40			51928-90300-	1		80
		51907 HINGE SUB-ASSY, SPARE WHEEL CARRIER					
8008-8410	BJ42, FJ40	LWR		51937-90302-	1		80
8008-8410	BJ42, FJ40	UPR		51955-90800-	1		80
		51907A PIN, SPARE WHEEL CARRIER HINGE					
8008-8410	BJ42, FJ40	LWR		90245-16001-	1		80
8008-8410	BJ42, FJ40	UPR		90245-20001-	1		80
		51907B CUSHION, SPARE WHEEL CARRIER HINGE					
8008-8410	BJ42, FJ40	UPR		51935-90800-	1		80
8008-8410	BJ42, FJ40	LWR		51954-90300-	1		80
		51907C BUSH, SPARE WHEEL CARRIER HINGE					
8008-8410	BJ42, FJ40	LWR		90386-16004-	2		80
8008-8410	BJ42, FJ40	UPR		90386-20002-	2		80
		51907A BUMPER, SPARE WHEEL CARRIER TO REAR GATE					
8008-8610	BJ42, FJ40			51917-90301-	1		80
		51926 HOOK, SPARE WHEEL CARRIER LOCK					
8008-8410	BJ42, FJ40			51925-90301-	1		80
		51926A CUSHION, SPARE WHEEL CARRIER, HOOK					
8008-8410	BJ42, FJ40			51941-90301-	1		80

PROD. DATE	MODELS	DESCRIPTION	R/P	PART NUMBER	QTY	REV. REF. CODE	
						FROM	UP TO
FIG.	55-51	INSTRUMENT PANEL & GLOVE COMPARTMENT					
		CONTINUED					
		+-----+					
		55301   PANEL SUB-ASSY, INSTRUMENT					
		+-----+					
8008-8110	BJ42			55301-90810-	1	1	6
8110-8210	BJ42			55301-90850-	1	7	18
8210-8305	BJ42			* 55301-90868- (55031-90818-	1	19	38
8305-8410	BJ42			55031-90818-	1	39	80
8210-8309	FJ40	W/O SIDE DEFROSTER		* 55301-90863- (55031-90817-	1	19	
8210-8309	FJ40	W/SIDE DEFROSTER		* 55301-90866- (55031-90820-	1	19	
8008-8210	FJ40..USA	W/PAD, W/O RADIO		* 55301-90817- (55031-90822-	1	1	18
8008-8210	FJ40..V	W/PAD, SIDE DEFROSTER		55301-90819-	1	1	18
		+-----+					
		55301R   PLUG, HOLE (FOR INSTRUMENT PANEL)					
		+-----+					
8008-8210	BJ42	ID=17.5		90950-01155-	1	1	18
8008-8210	BJ42	ID=23.0		90950-01225-	1	1	18
8210-8410	BJ42	ID=25.0		90950-01156-	1	19	80
8008-8110	BJ42, FJ40	ID=25.0			2	1	6
8110-8210	BJ42, FJ40	ID=13.5		90950-01329-	2	7	18
8110-8210	BJ42, FJ40	ID=11.5		90950-01330-	3	7	18
8210-8410	BJ42, FJ40	ID=11.5			3	19	80
		+-----+					
		55321A   COVER, INSTRUMENT PANEL HOLE					
		+-----+					
8008-8110	BJ42			* 55321-90300- (90950-01329-	4	1	6
8008-8110	FJ40				6	1	6
		+-----+					
		55381   PANEL, INSTRUMENT IMPACT					
		+-----+					
8008-8410	BJ42, FJ40			55381-60010-	1	1	80
		+-----+					
		55404   SAFETY PAD SUB-ASSY, INSTRUMENT PANEL, UPPER					
		+-----+					
8008-8410	BJ42, FJ40			55404-90300-	1	1	80
		+-----+					
		55405A   PAD SUB-ASSY, INSTRUMENT PANEL LOWER, RH					
		+-----+					
8008-8210	BJ42, FJ40			55405-90300-	1	1	18

PROD. DATE	MODELS	DESCRIPTION	R/P	PART NUMBER	QTY	REV. REF. CODE	
						FROM	UP TO
		+-----+					
		55405A   PAD SUB-ASSY, INSTRUMENT PANEL LOWER, LH					
		CONTINUED					
		+-----+					
8210-8410	BJ42, FJ40			55402-90800-	1	19	80
		+-----+					
		55406A   PAD SUB-ASSY, INSTRUMENT PANEL LOWER, LH					
		+-----+					
8008-8305	BJ42, FJ40			55405-90300-	1	1	38
8305-8410	BJ42, FJ40			55403-90800-	1	39	80
		+-----+					
		55407A   PAD SUB-ASSY, INSTRUMENT PANEL LOWER, CENTER					
		+-----+					
8008-8210	BJ42, FJ40			55407-90300-	1	1	18
		+-----+					
		55414   BEZEL, CIGAR LIGHTER HOLE					
		+-----+					
8210-8410	BJ42, FJ40			55477-90800-	1	19	80
		+-----+					
		55415   PANEL, INSTRUMENT CLUSTER FINISH, CENTER					
		+-----+					
8210-8410	BJ42			55405-90808-	1	19	80
8210-8309	FJ40			55405-90807-	1	19	
		+-----+					
		55429B   PROTECTOR, INSTRUMENT CLUSTER FINISH PANEL					
		+-----+					
8210-8410	BJ42, FJ40			55429-90800-	1	19	80
		+-----+					
		55433A   RETAINER, SAFETY PAD SET PLATE					
		+-----+					
8008-8410	BJ42, FJ40			55449-60010-	1	1	80
		+-----+					
		55434C   RETAINER, INSTRUMENT PANEL LOWER PAD SET					
		+-----+					
8008-8410	BJ42, FJ40			55434-30020-	11	1	80
		+-----+					
		55446B   SPACER, INSTRUMENT PANEL SAFETY PAD, SET					
		+-----+					
8008-8110	BJ42, FJ40			55446-60010-	5	1	6
8110-8410	BJ42, FJ40			55447-90800-	5	7	80
		+-----+					
		55451   COVER, RADIO TUNER OPENING					
		+-----+					
8008-8210	BJ42, FJ40			55461-90351-	1	1	18
8210-8410	BJ42, FJ40			55522-90800-	1	19	80
		+-----+					
		55506   BUTTON SUB-ASSY, GLOVE COMPARTMENT DOOR LOCK					
		+-----+					
8008-8410	BJ42, FJ40			55560-12070-	1	1	80



PROD. DATE	MODELS	DESCRIPTION	R/P	PART NUMBER	QTY	REV. REF. CODE		PROD. DATE	MODELS	DESCRIPTION	R/P	PART NUMBER	QTY	REV. REF. CODE	
						FROM	UP TO							FROM	UP TO
8008-8110	↑ 61604A ↓ CONTINUED FJ40..TP	↑ APION, REAR FENDER, LH ↓		61604-93348-	1	1	6								
8008-8410	↑ 51610 ↓ BJ42, FJ40..V	↑ PANEL ASSY, REAR BODY SIDE, RH ↓		61601-90846-	1	1	80								
8008-8110	FJ40..TP			61601-90875-	1	1	6								
8008-8410	↑ 61620 ↓ BJ42, FJ40..V	↑ PANEL ASSY, REAR BODY SIDE, LH ↓		61602-90820-	1	1	80								
8008-8110	FJ40..TP			61602-90819-	1	1	6								
8008-8410	↑ 61683 ↓ BJ42, FJ40	↑ PACKING, REAR BODY REAR SIDE SERVICE HOLE COVE R ↓		61683-90300-	1	1	80								
8008-8410	↑ 61687A ↓ BJ42, FJ40..V	↑ WEATHERSTRIP, REAR BODY REAR SIDE, RH ↓		61687-90307-	1	1	80								
8008-8410	↑ 61688A ↓ BJ42, FJ40..V	↑ WEATHERSTRIP, REAR BODY REAR SIDE, LH ↓		61688-90307-	1	1	80								
8008-8410	↑ 61691 ↓ BJ42, FJ40	↑ PLATE, REAR FENDER UNDER GUARD ↓		61691-90300-	1	1	80								
8008-8410	↑ 61698B ↓ BJ42, FJ40	↑ COVER, REAR BODY SIDE SERVICE HOLE ↓		61698-90300-	1	1	80								
8008-8110	↑ 64931 ↓ FJ40..TP	↑ BRACKET, BAND, NO.1 ↓		64921-60010-	6	1	6								
8008-8110	↑ 64932 ↓ FJ40..TP	↑ BRACKET, BAND, NO.2 ↓		64921-90310-	2	1	6								
8008-8410	↑ 65839 ↓ BJ42, FJ40..V	↑ SPACER, FRONT SIDE PANEL PILLAR ↓		65839-90300-	2	1	80								

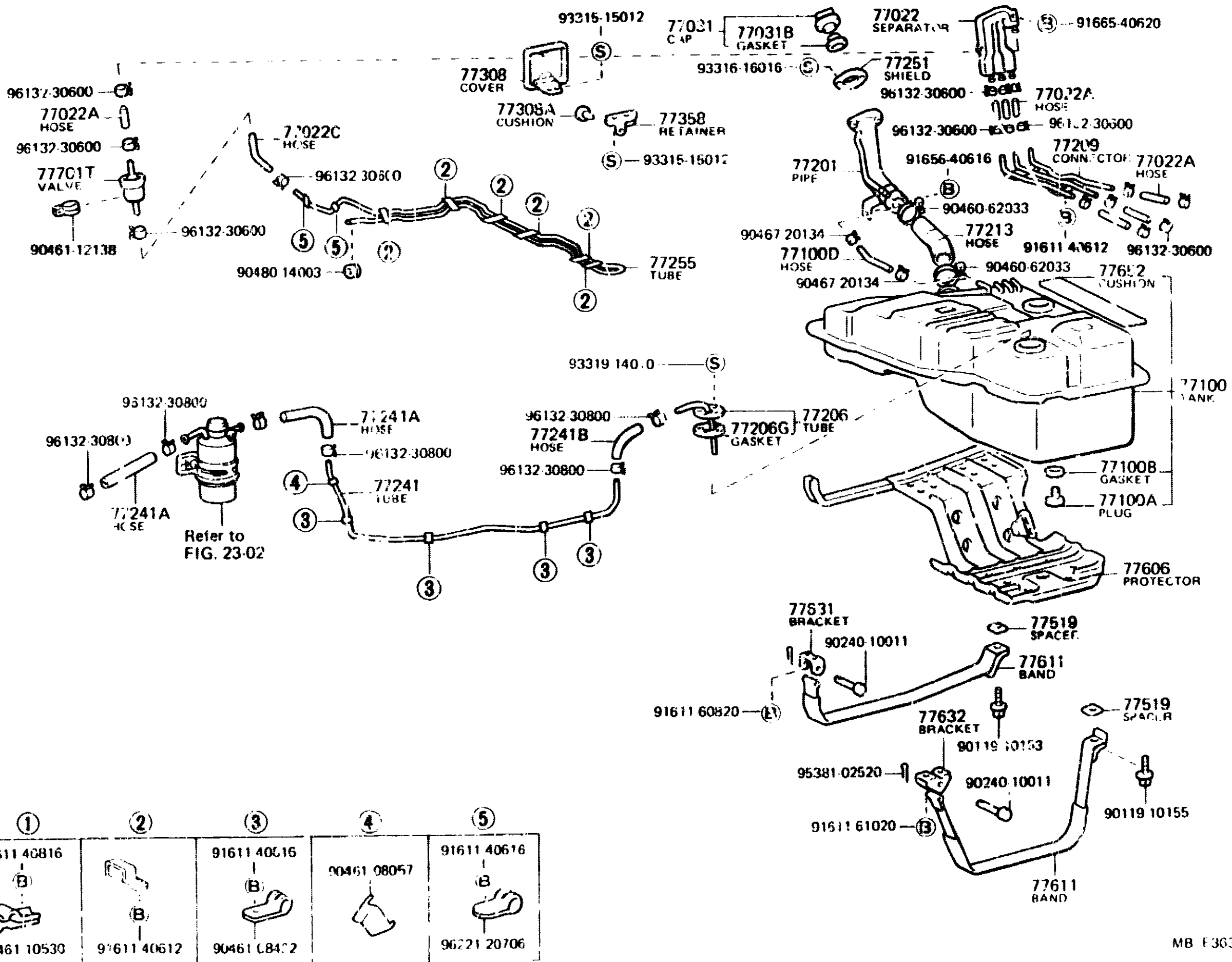
PROD. DATE	MODELS	DESCRIPTION	P	PART NUMBER	QTY	REV. REF. CODE	
						FROM	UP TO
8202-8410	← 69755 → CONTINUED BJ42, FJ40	SILENCER, FRONT DOOR		LOCK LINK 69759-30021-	2		80

PROD. DATE	MODELS	DESCRIPTION	P	PART NUMBER	QTY	REV. REF. CODE	
						FROM	UP TO

PROD. DATE	MODELS	DESCRIPTION	R/P	PART NUMBER	QTY	REV. REF. CODE		PROD. DATE	MODELS	DESCRIPTION	R/P	PART NUMBER	QTY	REV. REF. CODE	
						FROM	UP TO							FROM	UP TO
8110-8410	BJ42, FJ40..CND	BRACKET, RH SEAT SET INSIDE (FOR SEPARATE SEAT)		71081-90300-	1	7	80								
8008-8410	BJ42, FJ40	TRACK ASSY, LH SEAT, OUTER (FOR SEPARATE SEAT)		72120-90333-	1	1	80								
8008-8410	BJ42, FJ40	TRACK ASSY, RH SEAT, INNER		72130-90333-	1	1	80								
8008-8410	BJ42, FJ40	TRACK ASSY, LH SEAT, INNER		72130-90333-	1	1	80								
8008-8110	BJ42, FJ40	ADJUSTER ASSY, RECLINING SEAT BACK, RH W/O SEAT TRACK		72550-90300-	1	1	6								
8008-8410	BJ42, FJ40	ADJUSTER ASSY, RECLINING SEAT BACK, RH W/SEAT TRACK		72550-90301-	1	1	80								
8110-8410	BJ42, FJ40..CND	ADJUSTER ASSY, RECLINING SEAT BACK, RH W/O SEAT TRACK		72550-90300-	1	7	80								
8008-8410	BJ42, FJ40	ADJUSTER ASSY, RECLINING SEAT BACK, LH		72520-90300-	1	1	80								
8008-8410	BJ42, FJ40	HANDLE, RECLINING ADJUSTER RELEASE RH		72525-14010-01	1	1	80								
8008-8410	BJ42, FJ40	HANDLE, RECLINING ADJUSTER RELEASE LH		72526-14010-01	1	1	80								
8008-8210	BJ42, FJ40	COVER, RECLINING HINGE OUTER, RH		71821-90300-	1	1	18								
8210-8410	BJ42, FJ40	COVER, RECLINING HINGE OUTER, RH		72551-90A00- (72551-90A00-06)	1	19	80								
8008-8210	BJ42, FJ40	COVER, RECLINING HINGE OUTER, LH		71822-90300-	1	1	18								
8210-8410	BJ42, FJ40	COVER, RECLINING HINGE OUTER, LH		72552-90A00- (72552-90A00-06)	1	19	80								
8008-8410	BJ42, FJ40	COVER, RECLINING PEDAL		72553-12020-	1	1	30								

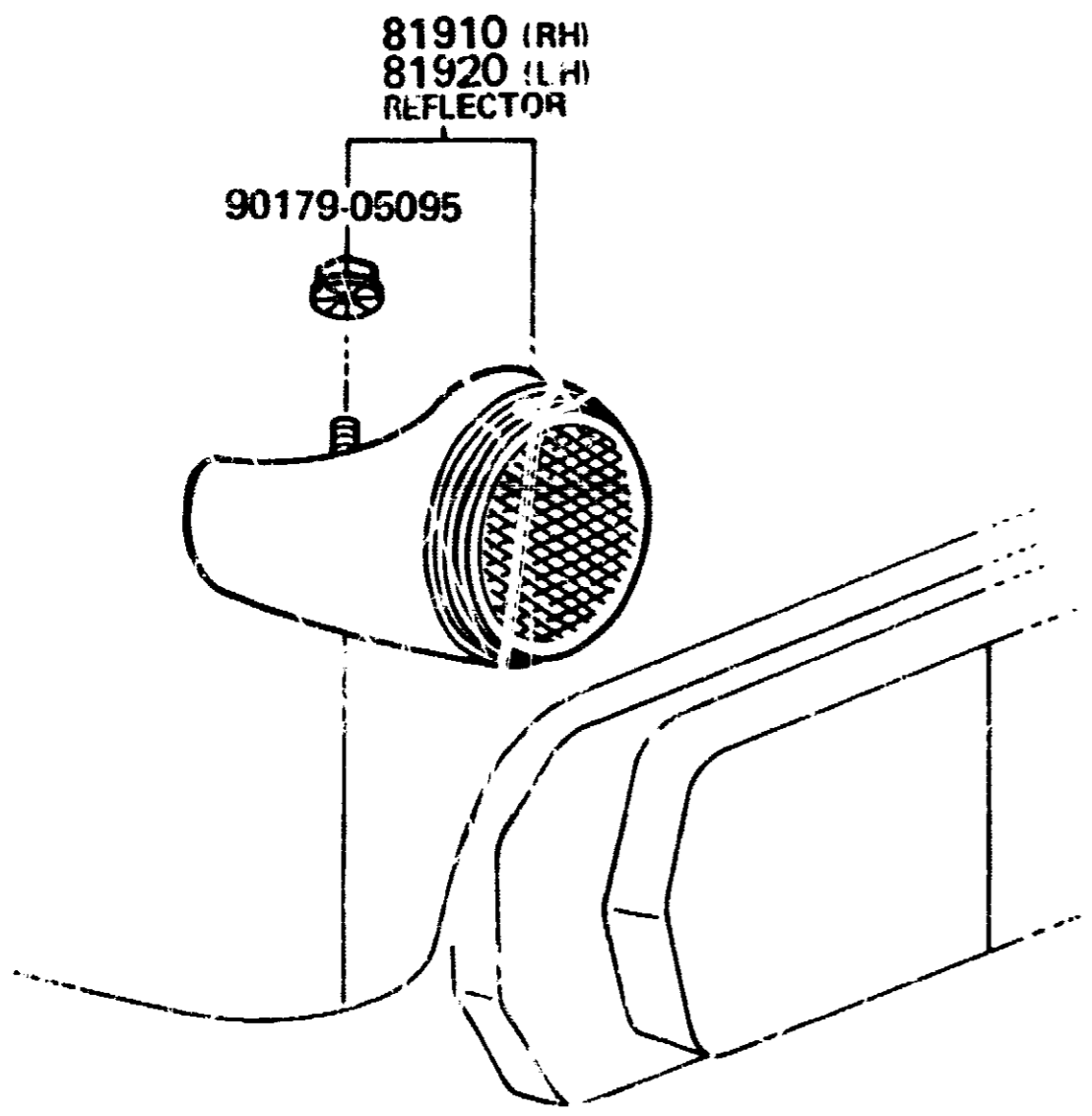
3-D6

(8210- )BJ42



MB E363

(8008- )



81910 (RH)  
81920 (LH)  
REFLECTOR

90179-05095

ME 9200

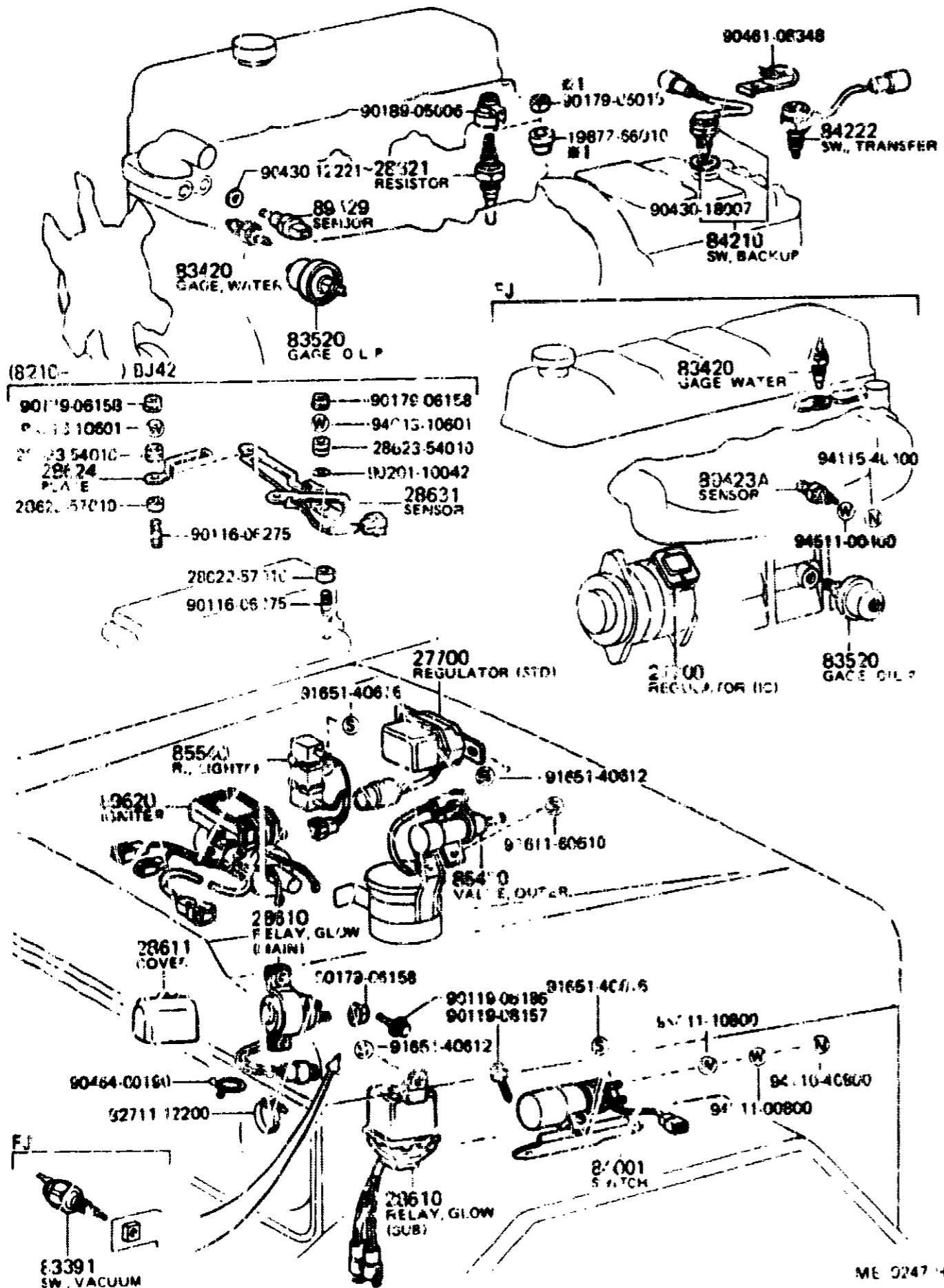
PROD. DATE	MODELS	DESCRIPTION	R/P	PART NUMBER	QTY	REF. CODE	
						FROM	UP TO
FIG.	81-15	REFLEX REFLECTOR					
	81910	REFLECTOR ASSY. REFLEX, RH					
8008-8410	BJ42, FJ40			81910-69026-	1	1	80
	81920	REFLECTOR ASSY. REFLEX, LH					
8008-8410	BJ42, FJ40			81910-69026-	1	1	80

(8008- )

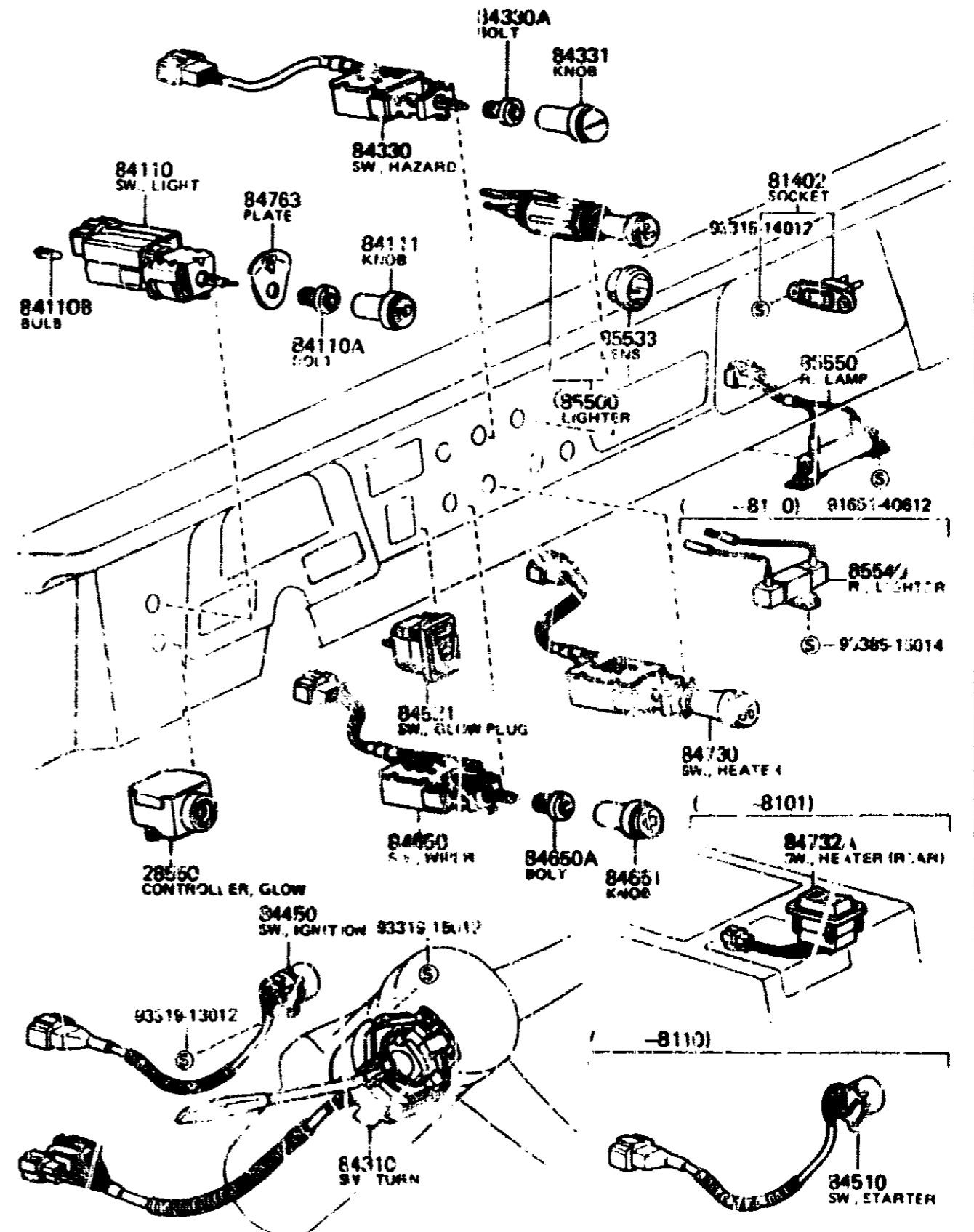
(8008- )

ILLUST. NO. 10F3

ILLUST. NO. 20F3

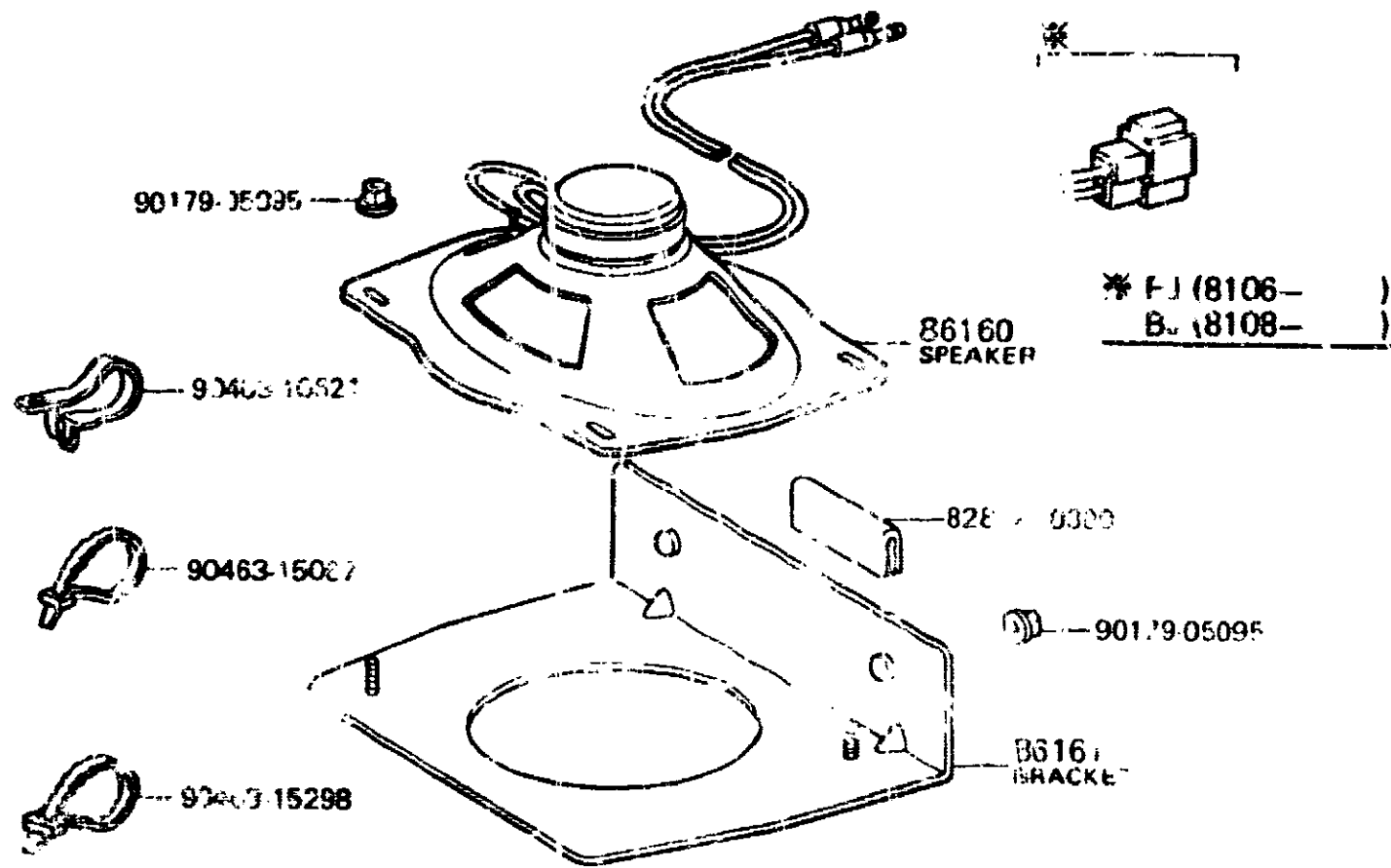


ME 9247 H



ME 9248 C

(8008- )



ME A539 A

PROD. DATE	MODELS	DESCRIPTION	P/R	PART NUMBER	QTY	REV. REF. CODE	
						FROM	UP TO
FIG.	86-02 SPEAKER						
	86160	SPEAKER ASSY, FRONT NO.1					
8008-8108	EJ42			86160-60020-	1		
8108-8111	BJ42			86160-60021-	1		
8111-8410	BJ42			86160-60022-	1		80
8008-8106	FJ40			86160-60011-	1	1	
8105-8111	FJ40			86160-60012-	1		
8111-8309	FJ40			86160-60013-	1		
	86161	BRACKET, SPEAKER, FRONT NO.1					
8008-8410	BJ42-FJ40			86102-90301-	1	1	80

PROD. DATE	MODELS	DESCRIPTION	PART NUMBER	QTY	REV. REF. CODE		PROD. DATE	MODELS	DESCRIPTION	PART NUMBER	QTY	REV. REF. CODE	
					FROM	TO						FROM	TO
8008-8309	↑ 87255 ↑ FJ40	ADAPTOR, WATER HOSE JOINT	87251-80041-	1	1								
8008-8309	↑ 87255A ↑ BJ42, FJ40	HOSE, REAR HEATER WATER INLET, A (FROM ENGINE)											
		XH, L=60	99552-20100-	1	1								
8309-8410	↑ 87256 ↑ BJ42, FJ40	HOSE, REAR HEATER WATER INLET, A (FROM ENGINE)											
		L=60	99556-20060-	1	80								
8008-8309	↑ 87256E ↑ BJ42, FJ40	HOSE, REAR HEATER WATER OUTLET, E (TO ENGINE)											
		XH, L=60	99552-20100-	1	1								
8309-8410	↑ 87256E ↑ BJ42, FJ40	HOSE, REAR HEATER WATER OUTLET, E (TO ENGINE)											
		L=60	99556-20060-	1	80								

\*H, L=Cut hose to length as specified in remarks



## BRACKET - BUSHING

D12

## BUTTON -- CASE

PART	NAME	LOCATION
BRACKET, VACUUM CHECK VALVE		2-D7
BRACKET, VACUUM CONTROL VALVE, NO.1		1-F5
BRACKET, VACUUM RESERVOIR		2-D7
BRACKET, WINCH ROLLER, NO.1		2-M3
BRACKET, WINDSHIELD CATCH, UPPER		3-H2
BREAKER		1-B7
BRUSH (FOR WINCH MOTOR)		2-A4
BRUSH, ALTERNATOR		1-D6
BRUSH, STARTER		1-G6
BULB (FOR FRONT TURN SIGNAL LAMP)		3-L6
BULB (FOR LICENSE PLATE LAMP)		1-B7
BULB (FOR REAR COMBINATION LAMP)		3-M6
BULB (FOR WINCH CONTROL SWITCH)		2-B4
BULB, CHOKE WARNING		3-J6
BULB, COMBINATION METER, NO.1		3-A8
BULB, HEATER CONTROL INDICATOR LAMP		3-C8
BULB, INDICATOR LAMP		3-B8
BULB, INSPECTION LAMP		3-E7
BULB, LIGHT CONTROL SWITCH		3-F8
BULB, REAR SIDE MARKER LAMP		3-C7
BULB, ROOM LAMP, NO.1		3-E7
BUMPER ASSY, FRONT		3-H1
BUMPER SUB-ASSY, REAR SPRING		2-H8
BUMPER, FENDER TO HOOD		3-L1
BUMPER, FRONT SPRING, NO.1		2-D8
BUMPER, SPARE WHEEL CARRIER		3-D1
BUMPER, SPARE WHEEL CARRIER TO REAR GATE		3-D1
BUSH		1-L4
BUSH (FOR ALTERNATOR RECTIFIER END FRAME)		1-C6
BUSH (FOR BRAKE PEDAL)		2-L6
BUSH (FOR CENTER ARM SHAFT)		2-H6
BUSH (FOR CLUTCH HUB SHIF" LEVER)		2-M3
BUSH (FOR CLUTCH PEDAL)		2-D1
BUSH (FOR CONNECTING ROD SMALL END)		1-G2
BUSH (FOR ENGINE MOUNTING BRACKET)		1-C2
BUSH (FOR FRONT DRIVE SHIFT LINK LEVER)		2-D3
BUSH (FOR FRONT SHOCK ABSORBER)		2-E8
BUSH (FOR FRONT SPRING PIN)		2-D8
BUSH (FOR FRONT SPRING SHACKLE)		2-D8
BUSH (FOR PARKING BRAKE EQUALIZER)		2-J6
BUSH (FOR REAR SHOCK ABSORBER)		2-H8
BUSH (FOR REAR SPRING PIN)		2-G8
BUSH (FOR REAR SPRING SHACKLE LOWER)		2-Q8
BUSH (FOR REAR SPRING SHACKLE UPPER)		2-Q8
BUSH (FOR STARTER HOUSING)		1-F6
BUSH (FOR TRANSFER SHIFT LEVER)		2-E3
BUSH (FOR WINCH MOTOR)		2-A4
BUSH OR BEARING, SECTOR SHAFT, NO.1		2-K5
BUSH OR BEARING, SECTOR SHAFT, NO.2		2-K5
BUSH, BIMETAL FORMED (FOR PUMP HOUSING REAR)		2-M5
BUSH, BIMETAL FORMED (FOR PUMP HOUSING)		2-M5
BUSH, COMMUTATOR END FRAME		1-G6
BUSH, SHIFT LEVER (FOR FLOOR SHIFT)		2-J2
BUSH, SOLID (FOR DRIVE SHAFT)		2-A8
BUSH, SOLID (FOR TRANSFER HIGH SPEED OUTPUT GEAR)		2-B3
BUSH, SOLID (FOR TRANSFER LOW SPEED OUTPUT GEAR)		2-B3
BUSH, SPARE WHEEL CARRIER HINGE		3-D1
BUSH, STARTER CENTER BEARING		1-G6
BUSH, VALVE GUIDE EXHAUST		1-G1
BUSH, VALVE GUIDE INTAKE		1-G1
BUSH, WINDSHIELD WASHER JAR		3-A9
BUSH, 3RD & 2ND GEAR		2-C2
BUSHING, STEPPED FEMALE (FOR WINCH MOTOR)		2-A4
BUSHING, STEPPED MALE (FOR WINCH MOTOR)		2-A4

PART	NAME	LOCATION
BUTTON ASSY, HORN		2-F6
BUTTON SUB-ASSY, GLOVE COMPARTMENT DOOR LOCK		3-D2
BUTTON, HORN, NO.1		2-F6
BUTTON, HORN, NO.2		2-F6
BUTTON, HORN, NO.3		2-F6
BUTTON, VENTILATING WINDOW LOCK HANDLE PUSH		3-B4
BUZZER ASSY, VACUUM INDICATOR		3-K8
CABLE ASSY, CHOKE		3-I6
CABLE ASSY, HOOD LOCK CONTROL		3-I1
CABLE ASSY, PARKING BRAKE, FRONT		2-J6
CABLE ASSY, SPEEDOMETER DRIVE, NO.1		3-A8
CABLE ASSY, THROTTLE		2-J6
CABLE SUB-ASSY, HEATER AIR INLET BUTTERFLY		3-A10
CABLE SUB-ASSY, HEATER CONTROL		3-A10
CABLE, BATTERY TO BATTERY		3-G7
CABLE, BATTERY TO GROUND		3-G7
CABLE, BATTERY TO MAGNET SWITCH		3-J7
CABLE, BATTERY TO STARTER (FOR BATTERY TO MAIN SWITCH)		3-G7
CABLE, BOND, NO.1		3-J7
CABLE, MAGNET SWITCH TO WINCH		3-J7
CABLE, WINCH TO GROUND		3-J7
CAMSHAFT		1-K2
CAMSHAFT, INJECTION PUMP		1-K2
CANISTER ASSY, CHARCOAL		3-G8
CAP (FOR ROLL BAR)		3-G5
CAP ASSY, FUEL TANK		3-E8
CAP ASSY, RESERVOIR, NO.2 (FOR REAR SIDE)		2-M6
CAP ASSY, WINDSHIELD WASHER		3-A9
CAP SUB-ASSY, AIR CLEANER		1-L4
CAP SUB-ASSY, DISTRIBUTOR		1-L5
CAP SUB-ASSY, OIL FILLER		1-H1
CAP SUB-ASSY, RADIATOR		1-A4
CAP SUB-ASSY, RESERVE TANK		1-A4
CAP SUB-ASSY, RESERVOIR		2-A6
CAP, BLEEDER PLUG (FOR DISC BRAKE, FRONT)		2-E7
CAP, BLEEDER PLUG (FOR DRUM BRAKE, REAR)		2-I7
CAP, COOLER COMPRESSOR SERVICE VALVE		3-J11
CAP, FRONT HUB GREASE		2-E3
CAP, IDLE LIMIT		1-C6
CAP, RELEASE CYLINDER BLEEDER PLUG		1-G1
CAP, RESERVOIR FILLER		2-C1
CAP, SHIFT LEVER		2-J2
CAP, STEERING KNUCKLE BEARING		2-A8
CAP, TERMINAL, NO.1		3-L7
CAP, WHEEL		2-L4
CAP, WINDSHIELD WIPER PIVOT, NO.1		3-J8
CAP, WIRE ADJUSTING		2-J6
CAPSULE, IDLING		1-L7
CARBURETOR ASSY		1-L6
CARBURETOR KIT		1-L6
CARRIER ASSY, DIFFERENTIAL, REAR		2-D4
CARRIER ASSY, FRONT AXLE		2-A5
CARRIER ASSY, SPARE WHEEL		3-D1
CARRIER SUB-ASSY, DIFFERENTIAL, REAR		2-D4
CARRIER SUB-ASSY, FRONT AXLE		2-A5
CARRIER, BATTERY		3-H5
CASE SUB-ASSY, AIR CLEANER		1-K4
CASE SUB-ASSY, BOTTOM, AIR CLEANER FILTER		1-K4
CASE SUB-ASSY, DIFFERENTIAL (FOR WITHOUT GEAR)		2-E4
CASE SUB-ASSY, TIMING GEAR		1-M1
CASE SUB-ASSY, WINCH GEAR		2-K3
CASE, COMBINATION METER		3-A8
CASE, FRONT AXLE DIFFERENTIAL		2-A5
CASE, MANUAL TRANSMISSION		2-K1

## SEAL - SHAFT

D13

## SHAFT - SLEEVE

PART	NAME	LOCATION
SEAL, OIL (FOR TRANSFER CASE)		2-L2
SEAL, OIL (FOR TRANSFER FRONT DRIVE SHIFT SHAFT)		2-E3
SEAL, OIL (FOR TRANSMISSION FRONT BEARING RETAINER)		2-K1
SEAL, OIL (FOR 5TH SHIFT ARM SHAFT)		2-G2
SEAL, STEERING LINK JOINT DUST		2-13
SEAL, TRANSFER LEVER BOOT		3-J2
SEAL, TYPE S OIL (FOR PUMP HOUSING)		2-M5
SEAL, TYPE S OIL (FOR SPEEDOMETER SHAFT SLEEVE)		2-L1
SEAL, TYPE T OIL (FOR FRONT AXLE DIFFERENTIAL CARRIER)		2-B5
SEAL, TYPE T OIL (FOR FRONT DRIVE SHAFT)		2-A5
SEAL, VACUUM PUMP OIL		1-J6
SEALED BEAM UNIT, NO.1		3-K6
SEAT ASSY, REAR SIDE, LH		3-C5
SEAT ASSY, REAR SIDE, RH		3-C5
SEAT SUB-ASSY, SPRING U BOLT, LH		2-13
SEAT SUB-ASSY, SPRING U BOLT, RH		2-13
SEAT, BALL STUD		2-16
SEAT, FLOW CONTROL SPRING		2-B6
SEAT, FRONT SPRING, LH		2-E8
SEAT, FRONT SPRING, RH		2-E8
SEAT, INJECTION NOZZLE		1-E7
SEAT, SHIFT DETENT BALL SPRING, NO.2		2-K2
SEAT, SHIFT LEVER SPRING		2-J2
SEAT, SPRING (FOR VANE PUMP)		2-B6
SEAT, SPRING UPPER		1-17
SEAT, SPRING, LOWER		1-17
SEAT, STEERING LINK JOINT SPRING		2-16
SEAT, TRANSMISSION SHIFT LEVER BALL		2-J2
SEAT, UNION (FOR PRESSURE PORT UNION)		2-B6
SEAT, UNION (FOR VALVE BODY HOUSING)		2-M5
SEAT, VALVE EXHAUST		1-G7
SEAT, VALVE INTAKE		1-G7
SEAT, VALVE SPRING		1-K2
SEAT, WATER PUMP PULLEY		1-13
SEDIMENTER ASSY, FUEL		1-G9
SENSOR, EXHAUST GAS TEMPERATURE		3-H8
SENSOR, GLOW PLUG CURRENT		1-E9
SENSOR, MANIFOLD TEMPERATURE		3-H8
SENSOR, TEMPERATURE		3-H8
SEPARATOR SUB-ASSY, FUEL VAPORATIVE		3-E6
SHACKLE KIT, FRONT SPRING		2-D8
SHACKLE KIT, REAR SPRING		2-D8
SHADE, FRONT TURN SIGNAL LAMP, LH		2-L6
SHADE, FRONT TURN SIGNAL LAMP, RH		2-L6
SHADE, REAR COMBINATION LAMP, NO.1 LH		2-M6
SHADE, REAR COMBINATION LAMP, NO.1 RH		2-M6
SHADE, REAR COMBINATION LAMP, NO.2 LH		2-M7
SHADE, REAR COMBINATION LAMP, NO.2 RH		2-M6
SHAFT ASSY, PROPELLER		2-F3
SHAFT ASSY, PROPELLER, FRONT		2-G3
SHAFT SUB-ASSY, IDLER GEAR		1-H2
SHAFT SUB-ASSY, MANIFOLD HEAT CONTROL		2-E4
SHAFT SUB-ASSY, STEERING INTERMEDIATE		2-J5
SHAFT SUB-ASSY, STEERING MAIN		2-J5
SHAFT SUB-ASSY, VALVE ROCKED, NO.1		2-17
SHAFT SUB-ASSY, WIPOTOR		2-M5
SHAFT, CENTER ARM		2-H6
SHAFT, CHOKE		1-G7
SHAFT, CLUTCH HUB SHAFT		2-11
SHAFT, CLUTCH PEDAL		2-D1
SHAFT, CLUTCH SHIFT LEVER		2-H3
SHAFT, CROSS		2-15
SHAFT, DRIVE		2-C5
SHAFT, FRONT AXLE DIFFERENTIAL PINION		2-A5

PART	NAME	LOCATION
SHAFT, FRONT AXLE, INNER LH		2-C5
SHAFT, FRONT AXLE, INNER RH		2-C5
SHAFT, FRONT DRIVE SHIFT LINK SUPPORT		2-E3
SHAFT, GOVERNOR		1-L5
SHAFT, INPUT		2-B2
SHAFT, OIL PUMP		1-B3
SHAFT, OIL PUMP DRIVEN		1-B3
SHAFT, OUTPUT		2-B2
SHAFT, PEDAL		2-L6
SHAFT, REAR AXLE		2-14
SHAFT, REAR DIFFERENTIAL PINION		2-F4
SHAFT, REVERSE IDLER GEAR		2-D2
SHAFT, REVERSE SHIFT FORK		2-G2
SHAFT, SHIFT & SELECT LEVER		1-G2
SHAFT, SPLINE		-17
SHAFT, STEERING SECTOR		2-L3
SHAFT, TRANSFER FRONT DRIVE SHIFT		2-E3
SHAFT, TRANSFER HIGH AND LOW SHIFT FORK		2-E3
SHAFT, TRANSFER IDLER GEAR		2-15
SHAFT, TRANSFER OUTPUT		2-13
SHAFT, TRANSFER OUTPUT, FRONT		2-C3
SHAFT, TRANSFER SHIFT LEVER		2-E1
SHAFT, VENTILATING WINDOW LOCK HANDLE		3-A1
SHAFT, VENTURI THROTTLE VALVE		1-J8
SHAFT, WINCH BRAKE		2-M3
SHAFT, WINCH INPUT		2-L3
SHAFT, WINCH ROLLER		2-M3
SHAFT, WINCH ROLLER, NO.2		2-M3
SHAFT, 1ST & 2ND SHIFT FORK		2-G2
SHAFT, 3RD & 4TH SHIFT FORK		2-G2
SHAFT, 5TH SHIFT ARM		2-G2
SHAFT, 5TH SHIFT FORK		2-G2
SHIELD, FUEL TANK, INLET, NO.1		3-F6
SHIELD, STEERING COLUMN HOLE COVER		2-K5
SHIM (FOR BATTERY CARRIER SUPPORT)		3-H5
SHIM (FOR DRIVE PINION SPACER FRONT ADJUST)		2-B5
SHIM (FOR DRIVE PINION SPACER REAR ADJUST)		2-B5
SHIM (FOR RADIATOR SUPPORT)		3-B2
SHIM (FOR TRANSFER OUTPUT SHAFT)		2-B3
SHIM SUB-ASSY, BODY MOUNT		3-F1
SHIM, BACK DOOR LOCK STRIKER		3-K4
SHIM, CYLINDER LINER		1-K1
SHIM, FRONT AXLE DRIVE PINION SPACER FRONT ADJUST		2-B5
SHIM, FRONT AXLE DRIVE PINION SPACER REAR ADJUST		2-B5
SHIM, FRONT DOOR LOCK STRIP PLATE		2-M4
SHIM, GEAR HOUSING END COVER		2-K5
SHIM, HORN SWITCH PANEL CUSHION		2-11
SHIM, OIL SPRING		1-L7
SHIM, RADIATOR COVER CUSHION		2-11
SHIM, RADIATOR COVER SUPPORT BRACKET		3-C1
SHIM, STEERING KNUCKLE ADJUST, NO.1		2-A8
SHOCK KIT, REAR BRAKE		2-17
SHOCK, FRONT DRIVE SHAFT LINK LEVER (FOR DIRECT STEER)		2-E3
SHOCK TESTER		3-J10
SHOULDER SHIFT FORK		2-E2
SHROUD SUB-ASSY, FAN		2-D4
SHUTTER SUB-ASSY, RADIATOR WIND		3-A7
SILENCER, FRONT DOOR LOCK LINK		3-M4
SILENCER, HOOD, NO.1		2-K5
SLEEVE SUB-ASSY, SPEEDOMETER SHAFT (MM)		2-L1
SLEEVE, BALL (FOR EGR VALVE)		1-H5
SLEEVE, BALL (FOR EGR VALVE, NO.2)		1-H5
SLEEVE, BALL (FOR OIL PUMP DRIVE SHAFT)		2-B3
SLEEVE, BALL, EGR PIPE, NO.1		1-H5

PART NUMBER	LOCATION	PART NUMBER	LOCATION	PART NUMBER	LOCATION	PART NUMBER	LOCATION	PART NUMBER	LOCATION	PART NUMBER	LOCATION
28011-26042-	1-F6	28550-57020-	3-E8	31321-36010-	2-D1	33232-60010-	2-G2	33541-60061-	2-J2	36327-60041-	2-E3
-34010-	1-F6	28571-56130-	3-18		2-L6	33241-60040-	2-G2	-60160-	2-J2	36337-60040-	2-D3
-60041-	1-F6	28579-56030-	3-18	31402-35010-	2-E1	-60050-	2-G2	33548-60010-	2-E3	-60060-	2-D3
28100-56070-	1-F6	28590-57020-	3-18	31410-60060-	2-E1	33242-60010-	2-G2	-60020-	2-J2	36340-60050-	2-E3
-60042-	1-F6	28610-46040-	3-E8	31426-20010-	2-E1	-60020-	2-G2	33553-60010-	2-J2	-60060-	2-E3
-60062-	1-F6	-46041-	3-E8	31440-35010-	2-E1	33243-60021-	2-G2	33554-60010-	2-J2	36341-60030-	2-E3
-60070-	1-F6	-54180-	3-E8	31451-30010-	2-E1	-60070-	2-G2	-60021-	2-J2	-60031-	2-E3
28110-60042-	1-F6	-57030-	3-E8	31455-30011-	2-E1	33244-60010-	2-G2	33555-55011-	2-J2	-60037-	2-E3
-60070-	1-F6	28611-54011-	3-E8	31454-30030-	2-E1	33245-60031-	2-G2	33621-60110-	3-15	36343-60020-	2-E3
28111-46011-	2-A4	28621-57010-	3-E8	31470-60050-	2-G1	33251-60021-	2-G2	33740-35011-	2-E3	36362-60011-	2-E3
-51011-	1-F6	-57011-	3-E8	-60081-	2-G1	-60040-	2-G2	36100-60952-	2-K2	36726-60010-	2-C3
28113-41011-	1-F6	28624-57010-	3-E8	-60110-	2-G1	33261-60030-	2-G2	36103-60010-	2-L2	-60020-	2-C3
28114-41011-	1-F6	28631-57010-	3-E8	31473-30020-	2-G1	33272-60011-	2-J2	-60011-	2-L2	37110-60260-	2-13
28115-53080-	1-F6	28800-46012-	3-G7	-60081-	2-G1	33280-60010-	2-M2	36110-60160-	2-K2	-60280-	2-13
28117-41020-	1-F6	-61010-	3-G7	-60090-	2-G1	33306-60016-	2-B2	-60161-	2-K2	-60281-	2-F3
28118-77090-	1-F6	28897-38010-	3-G7	31474-30020-	2-G1	-60020-	2-B2	-60162-	2-K2	37140-60090-	2-G3
28119-77090-	1-G6	29300-56070-	1-J6	31475-60020-	2-G1	33309-60010-	2-L2	-60270-	2-K2	-60150-	2-G3
28120-26070-	1-G6	-57011-	1-J6	31476-40010-	1-G1	-60020-	2-L2	-60271-	2-K2	-60151-	2-G3
-42020-	1-G6	29311-76010-	1-J6	-60031-	2-G1	-60040-	2-L2	36117-60020-	2-K1	37302-36010-	2-G3
-77090-	1-G6	29331-56010-	1-J6	-60060-	2-G1	-60080-	2-L2	36119-60010-	2-M2	-60040-	2-G3
28121-42020-	1-G6	-56070-	1-J6	31478-30010-	2-E7	33311-60041-	2-B2	-60020-	2-B3	37305-25010-	2-G3
28123-41020-	1-G6	29369-54010-	1-J6		2-G1	-60060-	2-B2	36122-60040-	2-M2	-36010-	2-G3
28125-41020-	1-G6	-56070-	1-J6		2-M7	-60080-	2-B2	36124-60020-	2-M2	37315-36010-	2-G3
28126-33021-	1-F6	31104-60020-	1-A2	31479-60030-	2-G1	33318-60012-	2-B2	36128-60020-	2-M1	-36020-	2-G3
28130-34060-	1-G6	31111-60030-	1-M1	31481-60172-	2-D1	33321-60051-	2-B2	-60021-	2-M2	37341-30010-	2-B5
-41020-	1-G6	-60031-	1-M1	-60221-	2-D1	-60070-	2-B2	36132-60020-	2-M2		2-F4
-56080-	1-G6	-60032-	1-M1	33020-60003-	2-11	33325-60010-	2-L2	36134-60020-	2-M2	37402-36060-	2-G3
-60042-	1-G6	-60070-	2-X1	33030-60231-	2-11	-60020-	2-L2	36142-60030-	2-M2	-36080-	2-G3
28131-20010-	1-G6	31121-60021-	2-K1	-60232-	2-11	33332-36012-	2-B2	36143-60020-	2-M2	38101-60040-	2-K3
28132-40010-	1-G6	31126-36030-	2-B1	-60330-	2-11	-60070-	2-B2	36144-60020-	2-M2	38102-60040-	2-K3
28136-40010-	1-G6	-60021-	2-B1	-60380-	2-11	33333-60020-	2-B2	36152-60030-	2-M2	38103-60040-	2-K3
28138-40010-	1-G6	31131-60010-	1-A2	33046-60010-	2-D2	-60030-	2-B2	36203-60020-	2-B3	38105-60040-	2-K3
28139-77090-	1-G6	31132-60020-	1-A2	33102-60090-	2-F2	33335-60011-	2-C2	-60021-	2-B3	-60041-	2-K3
28140-26070-	1-G6	31133-60020-	1-A2	33111-60040-	2-K1	-60020-	2-C2	36204-60031-	2-B3	38106-60040-	2-K3
-41020-	1-G6	31134-60020-	1-A2	-60041-	2-K1	33336-60010-	2-C2	-60040-	2-B3	38110-60040-	2-K3
-77090-	1-G6	31135-60020-	1-A2	-60060-	2-K1	33343-36020-	2-C2	-60041-	2-B3	-60011-	2-K3
28142-10011-	1-G6	31136-60010-	1-A2	-60070-	2-K1	33346-36010-	2-C2	36212-60040-	2-B3	-60050-	2-K3
-25011-	1-G6	31137-60010-	1-A2	33121-60090-	2-F2	33348-36012-	2-C2	-60041-	2-B3	-60051-	2-K3
28143-40010-	1-G6	31201-39097-	2-B1	33122-36011-	2-F2	33362-36021-	2-C2	36213-60020-	2-B3	38113-60040-	2-K3
-46012-	2-A4	-39115-	2-B1	33124-36010-	2-M2	33364-36051-	2-C2	36215-60030-	2-B3	38116-60010-	2-K3
28150-34080-	1-G6	-69026-	2-B1	33131-60020-	2-K1	33366-36020-	2-C2	36221-60041-	2-B3	38118-60040-	2-K3
-56070-	1-G6	-69027-	2-B1	-60030-	2-K1	33368-20012-	2-C2	-60050-	2-B3	38119-60040-	2-K3
-60040-	1-G6	31204-60030-	2-B1	33132-36010-	2-K1	33371-20010-	2-C2	-60051-	2-B3	38122-60040-	2-K3
-60060-	1-G6	-60050-	2-B1	33142-60020-	2-K1	33371-36010-	2-C2	36222-60010-	2-B3	38127-60040-	2-K3
28160-26070-	1-H6	31210-36072-	2-B1		2-M2	33394-36011-	2-C2	36225-60030-	2-B3	38131-60040-	2-K3
-41020-	1-H6	-36090-	2-B1	-60030-	2-M2	33395-36010-	2-C2	36231-60021-	2-B3	38133-60040-	2-K3
-77090-	1-H6	-50041-	2-B1	33151-60010-	2-K1	33398-36011-	2-C2	36234-60031-	2-C3	38134-60040-	2-L3
28162-41022-	2-H6	-60042-	2-B1	33201-36030-	2-F2	-36012-	2-C2	36235-60020-	2-C3	38137-60040-	2-L3
28163-40011-	1-H6	31216-36010-	2-B1	33202-36011-	2-G2	33402-36021-	2-C2	36237-60020-	2-C3	38143-60010-	2-L3
28165-26040-	1-H6	-60010-	2-B1	-60030-	2-G2	-36050-	2-C2	36251-60030-	2-C3	38151-60040-	2-L3
-77090-	1-H6	31221-39085-	2-B1	33203-60010-	2-G2	33403-69016-	2-L1	-60050-	2-C3	38152-60040-	2-L3
28166-41011-	1-G6	-39125-	2-B1	33211-36011-	2-F2	-69075-	2-L1	36305-60080-	2-D3	38153-60040-	2-L3
28172-40021-	1-H6	-69025-	2-B1	33212-36020-	2-F2	33404-30040-	2-L1	36307-60030-	2-D3	38182-60040-	2-L3
28199-77090-	1-G6	31231-60040-	2-B1	-61020-	2-F2	33411-60041-	2-D2	36311-60040-	2-D3	38183-60040-	2-L3
28212-77070-	1-H6	-60060-	2-B1	33213-60030-	2-F2	-60042-	2-D2	-60041-	2-D3	-60041-	2-L3
28219-26040-	1-H6	31232-60020-	2-B1	-60050-	2-F2	33421-36140-	2-D2	36312-60030-	2-D3	38184-60040-	2-L3
-36080-	1-H6	31236-36010-	2-B1	33214-60021-	2-F2	33451-36022-	2-D2	36313-60050-	2-E3	-60041-	2-L3
28221-26040-	1-H6	-60020-	2-B1	33222-36030-	2-F2	33481-60060-	2-B3	36314-60030-	2-E3	38185-60040-	2-L3
-60080-	1-H6	31238-60041-	2-B1	33223-36010-	2-F2	33485-36020-	2-L1	36318-60020-	2-E3	-60041-	2-L3
28253-65020-	1-H6	31250-36113-	2-B1	-36020-	2-F2	33504-2211-	2-J2	36321-60041-	2-E3	38186-60040-	2-L3
28254-65020-	1-H6	-60020-	2-B1	33225-36030-	2-F2	-60030-	2-J2	-60070-	2-E3	38187-60040-	2-L3
-77090-	1-H6	-60040-	2-B1	33226-36011-	2-F2	33505-60010-	2-J2	36323-60031-	2-E3	38191-60010-	2-L3
28300-50010-	3-E8	-60090-	2-B1	-60090-	2-F2	33506-60010-	2-J2	-60080-	2-E3	-60030-	2-L3
28571-57010-	1-E8	31301-60052-	2-D1		2-G2	33511-60040-	2-M2	36324-60050-	2-D3	38192-60010-	2-L3

I. MODELS COVERED & CHARACTERISTICS

Model	Engine	Production Period	Characteristic Expressions in Catalog Model Column						Model Name
			V	VKC	4F	RB	CND		
BJ42LV-KCJK	3B	8009-8210	V	VKC	4F	RB	CND		Hardtop
BJ42LV-MCJK	"	8210-8410	"	"	5F	"	"		"
FJ40L-KJA	2F	8008-8110	TP	TPS	4F	"	USA		Vinyltop
FJ40L V-KCJA	"	8008-8309	V	VKC		"	"		Hardtop
FJ40LV-KCJK	"	8003-8110	"	"	"	"	CND		"

- V Van (Hardtop)
- VKC Van (Hardtop), with Swing out back door
- TP Vinyl Softtop (Tarpaulin Softtop)
- TPS Vinyl Softtop (Tarpaulin Softtop), Standard type
- 4F 4-speed transmission, floor shift
- 5F 5-speed transmission, floor shift
- RB with Roll bar (with Safety bar)
- USA For United States of America
- CND For Canada

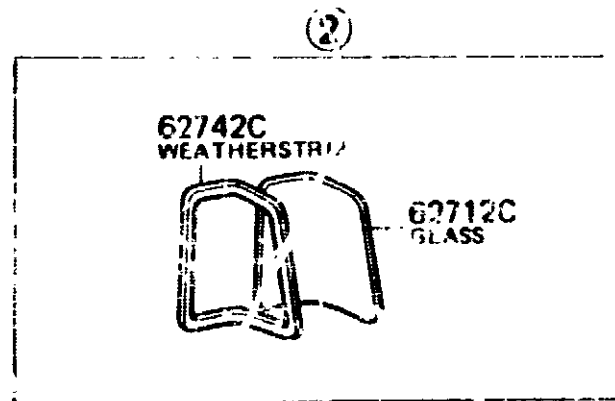
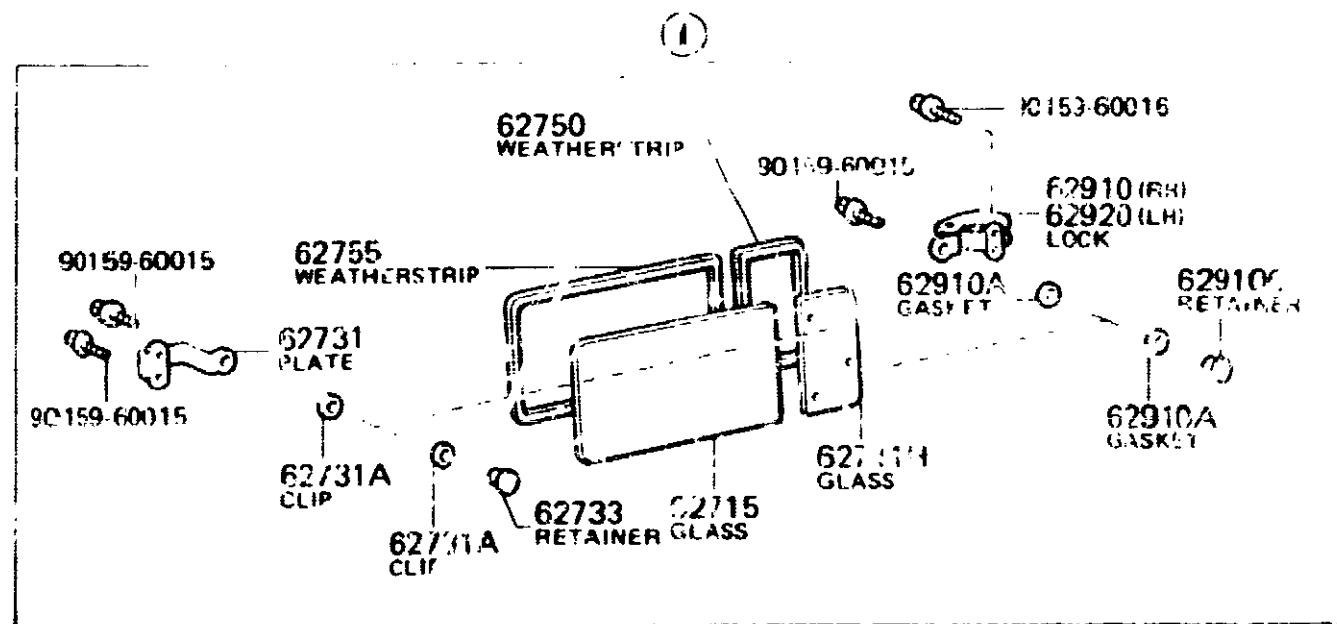
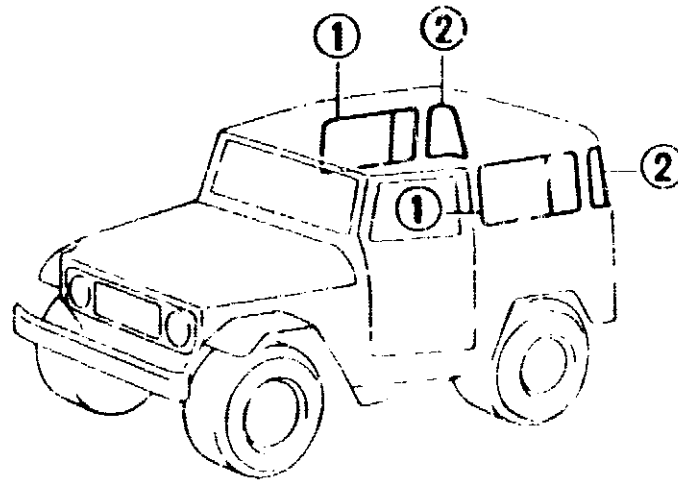
## ILLUSTRATED INDEX

<p>1-C1 (11-01)</p> <p>Partial Engine Assembly</p>	<p>1-D1 (11-02)</p> <p>Short Block Assembly</p>	<p>1-E1 (11-03)</p> <p>Overhaul Gasket Kit</p>	<p>1-F1 (11-04)</p> <p>Cylinder Head</p>	<p>1-I1 (11-05)</p> <p>Cylinder Block</p>	<p>1-L1 (11-06)</p> <p>Gear Covers &amp; End Plate</p>	<p>1-M1 (11-07)</p> <p>Mounting</p>	
<h3>ENGINE GROUP (1 / 2)</h3>							<p>1-D2 (13-01)</p> <p>Ventilation Hose</p>
<p>1-D5 (17-08)</p> <p>Vacuum Piping</p>	<p>1-D4 (17-07)</p> <p>Manifold Air System</p>	<p>1-F4 (17-05)</p> <p>Air Pump</p>	<p>1-H5 (16-01)</p> <p>Water Pump</p>	<p>1-F5 (15-05)</p> <p>Oil Cooler</p>	<p>1-F2 (13-01)</p> <p>Crankshaft &amp; Piston</p>	<p>1-J2 (13-02)</p> <p>Crankshaft &amp; Valve</p>	
<p>1-B5 (17-09)</p> <p>Caution Plate</p>	<p>1-G4 (17-02)</p> <p>Exhaust Pipe</p>	<p>1-C4 (17-01)</p> <p>Manifold</p>	<p>1-K3 (16-03)</p> <p>Radiator &amp; Fan</p>	<p>1-H3 (16-01)</p> <p>Water Pump</p>	<p>1-F3 (15-01)</p> <p>Oil Pump</p>	<p>1-A3 (15-01)</p> <p>Oil Filter</p>	
<p>1-J4 (17-03)</p> <p>Air Cleaner</p>	<p>1-G4 (17-02)</p> <p>Exhaust Pipe</p>	<p>1-C4 (17-01)</p> <p>Manifold</p>	<p>1-K3 (16-03)</p> <p>Radiator &amp; Fan</p>	<p>1-H3 (16-01)</p> <p>Water Pump</p>	<p>1-F5 (15-05)</p> <p>Oil Cooler</p>	<p>1-D3 (15-02)</p> <p>Oil Filter</p>	

PROD. DATE	MODELS	DESCRIPTION	R/P	PART NUMBER	QTY	REV. REF. CODE		PROD. DATE	MODELS	DESCRIPTION	R/P	PART NUMBER	QTY	REV. REF. CODE		
						FROM	UP TO							FROM	UP TO	
		+-----+   51929   HOLDER, SPARE WHEEL CARRIER +-----+														
8008-8410	BJ42,FJ40			51929-90300-	1	1	80									
		+-----+   51930   LOCK ASSY, SPARE WHEEL CARRIER +-----+														
8008-8410	BJ42,FJ40			51930-90300-	1	1	80									
		+-----+   51938A   HANGER, SPARE WHEEL CARRIER LOCK SPRING +-----+														
8008-8410	BJ42,FJ40			51938-90300-	1	1	80									
		+-----+   51956E   SPRING, TENSION (FOR SPARE WHEEL CARRIER LOCK) +-----+														
8008-8209	BJ42,FJ40			90506-12480-	1	1										
8209-8410	BJ42,FJ40			90506-12052-	1		80									
		+-----+   51973   PROTECTOR, SPARE WHEEL CARRIER LOCK +-----+														
8008-8410	BJ42,FJ40			51973-90300-	1	1	80									

PROD. DATE	MODELS	DESCRIPTION	R/P	PART NUMBER	QTY	REV. REF. CODE		PROD. DATE	MODELS	DESCRIPTION	R/P	PART NUMBER	QTY	REV. REF. CODE	
						FROM	UP TO							FROM	UP TO
	↑ 55510 ↑	DOOR ASSY, GLOVE COMPARTMENT													
8008-8210	BJ42, FJ40			55501-90800- (55501-90802-)	1	1	18								
8210-8410	BJ42, FJ40			55501-90802-	1	19	80								
	↑ 55522 ↑	RETAINER, GLOVE COMPARTMENT MALE													
8008-8410	BJ42, FJ40			55561-90800-	1		80								
	↑ 55533 ↑	COVER, AUTO CLOCK HOLE													
8210-8410	BJ42, FJ40			55533-90801-	1	19	80								
	↑ 55549 ↑	PACKING, GLOVE COMPARTMENT DOOR													
8008-8410	BJ42, FJ40			55549-90300-	1	1	80								
	↑ 55581 ↑	WIRE, GLOVE COMPARTMENT DOOR OPEN													
8008-8410	BJ42, FJ40			55508-30020-	1	1	80								
	↑ 56409 ↑	HANDLE SUB-ASSY, WINDSHIELD CATCH													
8008-8309	FJ40, USA			56409-60010-	2	1									
	↑ 56409A ↑	TUBE, WINDSHIELD CATCH HANDLE													
8008-8410	BJ42, FJ40			90440-7057-	2	1	80								

(8008- )V



MB 4544

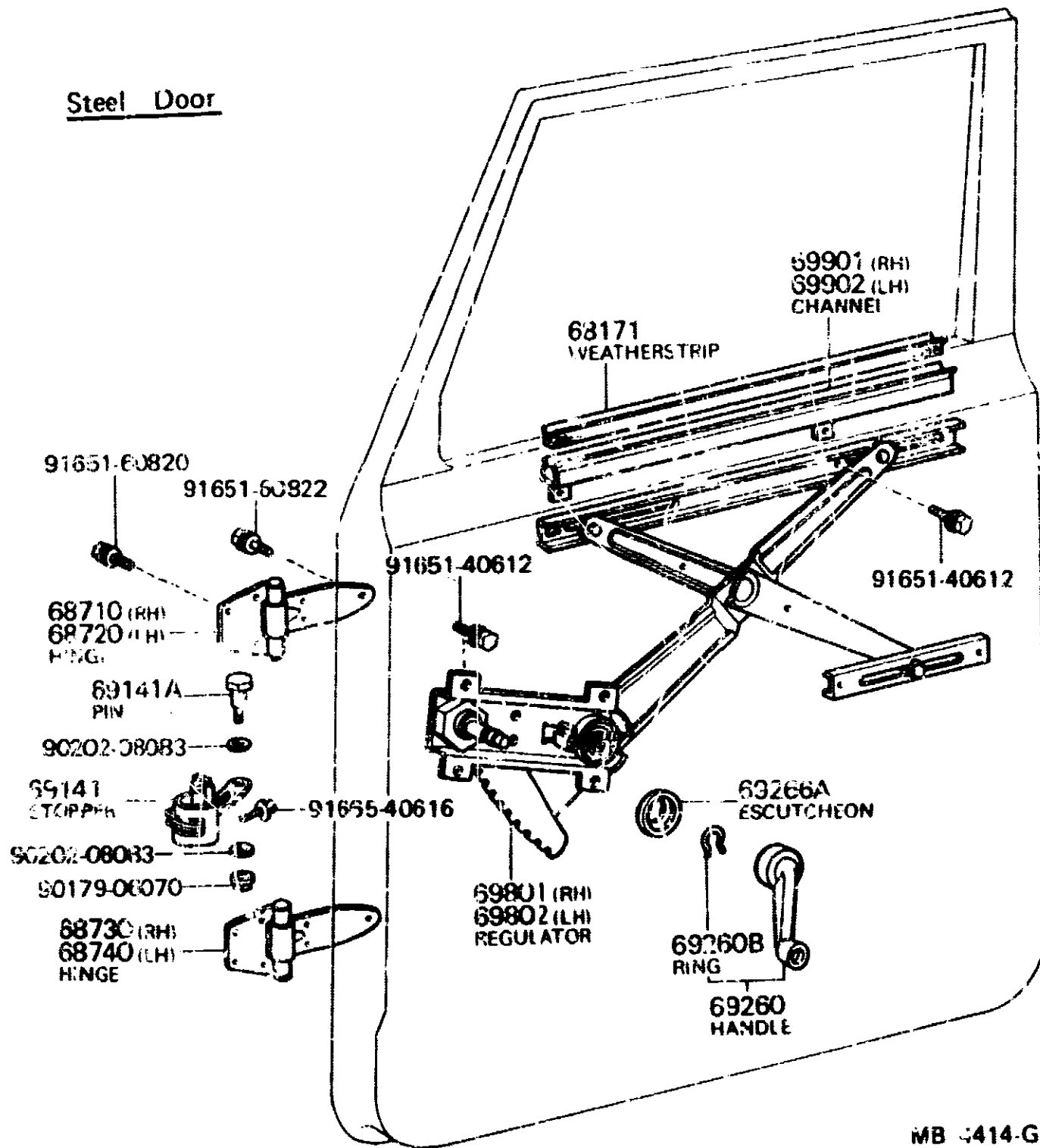
PROJ. DATE	MODELS	DESCRIPTION	R/P	PART NUMBER	QTY	REV. REF. CODE	
						FROM	UP TO
FIG.	61-52 SIDE WINDOW						
		1 62711F 1 GLASS, SIDE WINDOW, NO. 1 (FOR HINGE TYPE)					
8008-8410	BJ42, FJ40..V	XTEM, T=4.0		62714-90300-	2	1	80
8008-8410	BJ42, FJ40..V	XTT, T=4.0		62714-90301-	2	1	80
		1 62712C 1 GLASS, SIDE WINDOW CORNER					
8008-8410	BJ42, FJ40..V	RH, XTEM, T=5.0		62712-90300-	1	1	80
8008-8410	BJ42, FJ40..V	RH, XTT, T=5.0		62712-90301-	1	1	80
8008-8410	BJ42, FJ40..V	LH, XTEM, T=5.0		62713-90300-	1	1	80
8008-8410	BJ42, FJ40..V	LH, XTT, T=5.0		62713-90301-	1	1	80
		1 62715 1 GLASS, SIDE WINDOW, NO. 1 (FOR FIXED TYPE)					
8008-8410	BJ42, FJ40..V	XTFM, T=4.0		62711-90303-	2	1	80
8008-8410	BJ42, FJ40..V	XTT, T=4.0		62711-90304-	2	1	80
		1 62731 1 PLATE, QUARTER OR SIDE WINDOW HINGE					
8008-8410	BJ42, FJ40..V			62731-90300-	4	1	80
		1 62731A 1 CLIP, QUARTER WINDOW HINGE PLATE					
8008-8410	BJ42, FJ40..V			62734-12010-	8	1	80
		1 62733 1 RETAINER, QUARTER OR SIDE WINDOW HINGE					
8008-8410	BJ42, FJ40..V			62733-90300-	4	1	80
		1 62742C 1 WEATHERSTRIP, SIDE WINDOW CORNER					
8008-8410	BJ42, FJ40..V			62742-90300-	2	1	80
		1 62750 1 WEATHERSTRIP, SIDE WINDOW, NO. 1 (FOR HINGE TYPE)					
8206-8410	BJ42, FJ40	RH		62797-90800-	1		80
8206-8410	BJ42, FJ40	LH		62798-90801-	1		80
8008-8107	BJ42, FJ40..V			62744-90300- (62797-90800-)	2	1	
8107-8206	BJ42, FJ40..V	RH			1		
8107-8206	BJ42, FJ40..V	LH		62798-90800- (62798-90801-)	1		

\*TEM=Tempered  
 \*TT=Tinted Tempered



(R008- )

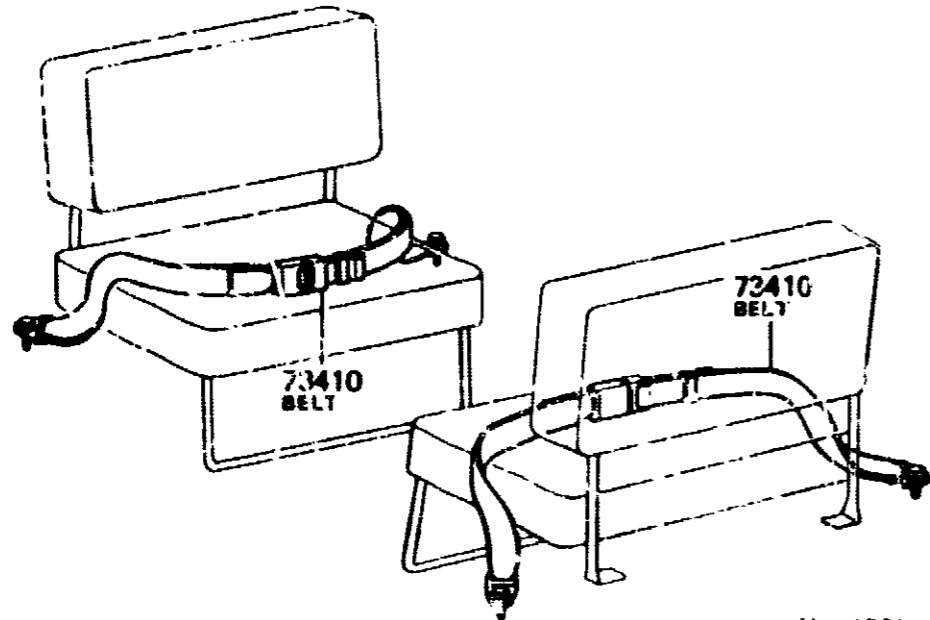
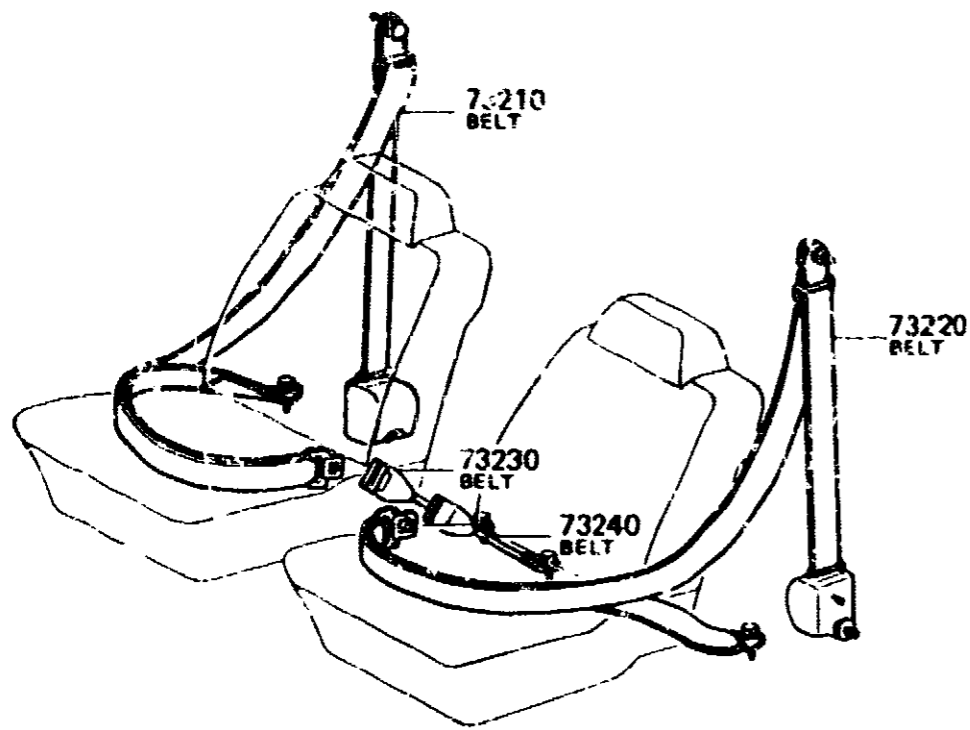
Steel Door



PROD. DATE	MODELS	DESCRIPTION	R/P	PART NUMBER	QTY	REV. REF. CODE	
						FROM	UP TO
FIG.	67-54	FRONT DOOR WINDOW REGULATOR & HINGE					
		1 68171 WEATHERSTRIP, FRONT DOOR GLASS CHANNEL					
8008-8410	BJ42, FJ40			68171-90301-	2		80
		1 68710 HINGE ASSY, FRONT DOOR, UPPER RH					
8008-8410	BJ42, FJ40			68710-60012-	1		80
		1 68720 HINGE ASSY, FRONT DOOR, UPPER LH					
8008-8410	BJ42, FJ40			68720-60012-	1		80
		1 68730 HINGE ASSY, FRONT DOOR, LOWER RH					
8008-8410	BJ42, FJ40			68730-60012-	1		80
		1 68740 HINGE ASSY, FRONT DOOR, LOWER LH					
8008-8410	BJ42, FJ40			68740-60012-	1		80
		1 69141 STOPPER, FRONT DOOR OPEN					
8008-8410	BJ42, FJ40	STEEL DOOR		68980-90300-	2		80
		1 69141A PIN, FRONT DOOR OPEN STOPPER					
8008-8410	BJ42, FJ40	STEEL DOOR		68878-90300-	2		80
		1 69260 HANDLE ASSY, FRONT DOOR WINDOW REGULATOR					
8008-8410	BJ42, FJ40			69260-10040-01	2		80
		1 69260B RING, SHAFT SNAP (FOR FRONT DOOR WINDOW REGULATOR HANDLE)					
8008-8410	BJ42, FJ40			90520-01002-	2		80
		1 69266A ESCUTCHEON, DOOR REGULATOR HANDLE (FOR FRONT DOOR)					
8008-8410	BJ42, FJ40			69266-22110-01	2		80
		1 69801 REGULATOR SUB-ASSY, FRONT DOOR WINDOW, RH					
8008-8410	BJ42, FJ40			69801-90303-	1		80
8008-8410	BJ42, FJ40	W/VW		69801-90304-	1		80
		1 69802 REGULATOR SUB-ASSY, FRONT DOOR WINDOW, LH					
8008-8410	BJ42, FJ40			69802-90303-	1		80
8008-8410	BJ42, FJ40	W/VW		69802-90304-	1		80

\* VW=Ventilator Window

(8008-



Mb 11591 A

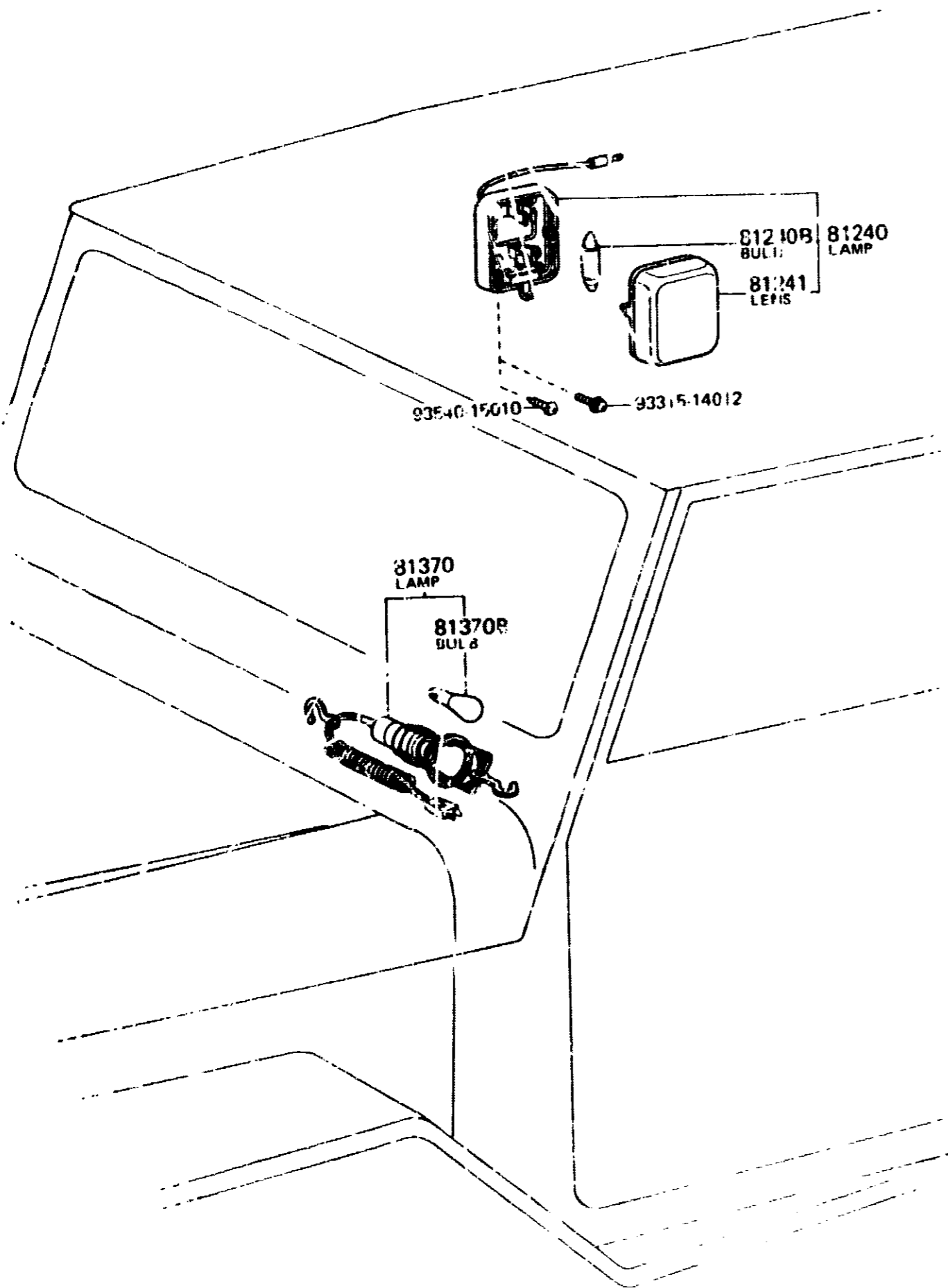
PROD. DATE	MODELS	DESCRIPTION	R/P	PART NUMBER	QTY	REV. REF. COO.	
						FROM	UP TO
FIG.	71-52 SEAT BELT						
	1 73210	BELT ASSY, FRONT SEAT OUTER, RH					
8008-8210	BJ42, FJ40			73210-90813-	1	1	18
8210-8410	BJ42, FJ40			73210-90812-	1	19	80
	1 73220	BELT ASSY, FRONT SEAT OUTER, LH					
8008-8210	BJ42, FJ40			73220-90802-	1	1	18
8210-8410	BJ42, FJ40			73210-90812-	1	19	80
	1 73230	BELT ASSY, FRONT SEAT INNER, RH					
8008-8210	BJ42, FJ40			73230-90801-	1	1	18
8210-8410	BJ42, FJ40			73230-90813-	1	19	80
	1 73240	BELT ASSY, FRONT SEAT INNER, LH					
8008-8210	BJ42, FJ40			73240-90801-	1	1	18
8210-8410	BJ42, FJ40			73240-90810-	1	19	80
	1 73410	BELT SUB-ASSY, SIDE SEAT, NO. 1					
8008-8410	BJ42, FJ40			73330-90800-	2	1	80

PROD. DATE	MODELS	DESCRIPTION	R/P	PART NUMBER	QTY	REV. REF. CODE	
						FROM	UP TO
FIG.	77-51 FUEL TANK & TUBE						
	77022	SEPARATOR SUB-ASSY, FUEL EVAPORATIVE					
8008-8410	BJ42, FJ40			77193-60013-	1	1	80
	77022A	HOSE, FUEL (FOR FUEL EVAPORATIVE SEPARATOR)					
8008-8410	BJ42, FJ40	XH, L=80		95332-06010-	3	1	80
8008-8410	BJ42, FJ40	XH, L=150		95332-06020-	3	1	80
8008-8410	BJ42, FJ40, .CND	XH, L=60		95332-06010-	1	1	80
8008-8309	FJ40, .USA	XH, L=460		95332-06060-	1	1	
	77022C	HOSE OR TUBE (FOR FUEL EVAPORATIVE SEPARATOR)					
8008-8410	BJ42, FJ40, .CND	XH, L=360		95332-06040-	1	1	80
	77031	CAP ASSY, FUEL TANK					
8207-8410	BJ42			77310-35061-	1		80
8008-8110	BJ42, FJ40			77310-12090- (77310-12100-)	1	1	6
8110-8207	BJ42, FJ40			77310-12100-	1		
8207-8309	FJ40				1		
	77031B	GASKET (FOR FUEL TANK CAP)					
8008-8410	BJ42, FJ40			77316-12050-	1	1	80
	77100	TANK ASSY, FUEL					
8008-8210	BJ42, FJ40			77100-60045-	1	1	18
8210-8410	BJ42, FJ40			77001-60055-	1	19	80
	77100A	PLUG (FOR FUEL TANK)					
8008-8210	BJ42, FJ40			90341-24030-	1	1	18
8210-8410	BJ42, FJ40			90341-20093-	1	19	80
	77100B	GASKET (FOR FUEL TANK)					
8008-8210	BJ42, FJ40			90430-24047-	1	1	18
8210-8410	BJ42, FJ40			90430-20006-	1	19	80
	77100D	HOSE, FUEL, NO. 1 (FOR FUEL TANK)					
8008-8410	BJ42, FJ40			90445-22010-	1	1	80

PROD. DATE	MODELS	DESCRIPTION	R/P	PART NUMBER	QTY	REV. REF. CODE	
						FROM	UP TO
		77201 PIPE SUB-ASSY, FUEL TANK INLET					
8008-8410	BJ42, FJ40, .CND			77201-60052-	1		80
8008-8309	FJ40, .USA			77201-60093-	1		
		77205 TUBE SUB-ASSY, FUEL MAIN					
8008-8210	FJ40			77205-60050-	1		18
8210-8309	FJ40	RR			1		19
8210-8309	FJ40	FR		77205-60080-	1		19
		77206 TUBE SUB-ASSY, FUEL TANK SUCTION					
8008-8210	BJ42			77203-60030- (77240-60040-)	1	1	18
8210-8410	BJ42			77240-60040-	1	19	80
8008-8210	FJ40			77203-60020- (77240-60050-)	1	1	18
8210-8309	FJ40			77240-60050-	1	19	
		77206G GASKET (FOR FUEL TANK SUCTION TUBE)					
8008-8210	BJ42, FJ40			83361-20030-	1	1	18
8210-8410	BJ42, FJ40			77169-14020-	1	19	80
		77209 CONNECTOR SUB-ASSY, FUEL TUBE					
8008-8210	BJ42, FJ40			77209-60020- (77209-60021-)	1	1	18
8210-8410	BJ42, FJ40			77209-60021-	1	19	80
		77213 HOSE, FUEL TANK SUB, INLET					
8008-8210	BJ42, FJ40			77217-60015-	1	1	18
8210-8410	BJ42, FJ40			77217-60030-	1	19	80
		77241 TUBE, FUEL MAIN, NO. 1					
8008-8410	BJ42			77251-60131-	1	1	80
8008-8210	FJ40			77251-60151-	1	1	18
		77241A HOSE, FUEL, NO. 1 (FOR MAIN TUBE, NO. 1)					
8008-8410	BJ42	XH, L=280		95332-08030-	1	1	80
8008-8410	BJ42	XH, L=380		95332-08040-	1	1	80

\* H, L=Cut hose to length as specified in remarks

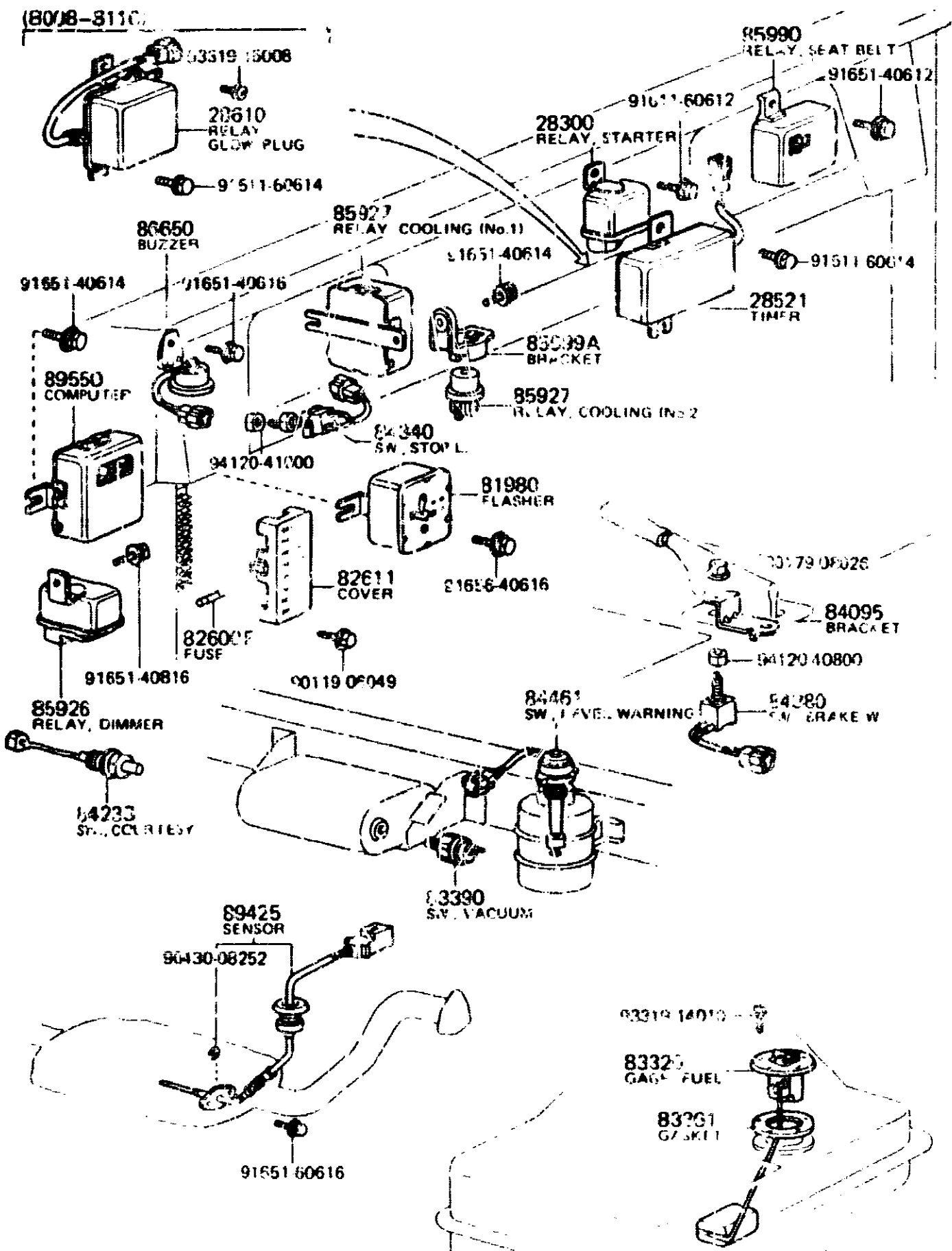
(8008- )



PROD. DATE	MODELS	DESCRIPTION	PART NUMBER	QTY	REV. REF. CODE	
					FROM	UP TO
FIG.	81-21 INTERIOR LAMP					
	81240	LAMP ASSY. ROOM, NO. 1				
8008-8110	BJ42		81240-90301-	1	1	6
8110-8410	BJ42		81240-90801-	1	7	80
8008-8110	FJ40		81240-90300-	1	1	6
8110-8309	FJ40		81240-90800-	1	7	
	81240B	BULB, ROOM LAMP, NO. 1				
8008-8410	BJ42	24V 10W	90981-16019-	1	1	80
8008-8309	FJ40	12V 10W	90981-11004-	1	1	
	81241	LENS, ROOM LAMP, NO. 1				
8008-8110	BJ42, FJ40		81241-90301-	1	1	6
8110-8410	BJ42, FJ40		81241-90801-	1	7	80
	81370	LAMP ASSY. INSPECTION				
8008-8410	BJ42		81370-70140-	1	1	80
8008-8309	FJ40		81370-60010-	1	1	
	81370B	BULB, INSPECTION LAMP				
8008-8410	BJ42	24V 25W	84999-10030-	1	1	81
8008-8309	FJ40	12V 23W	99132-11230-	1	1	

(8008-

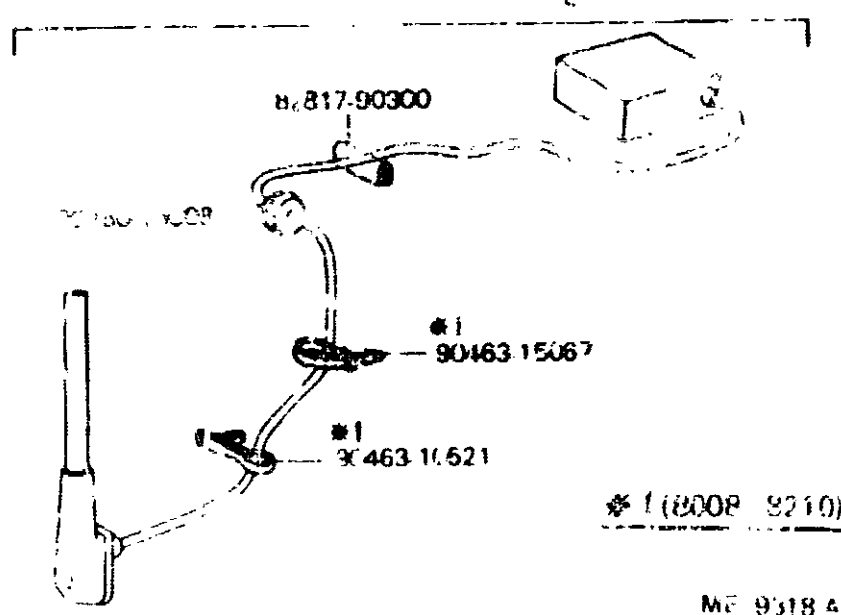
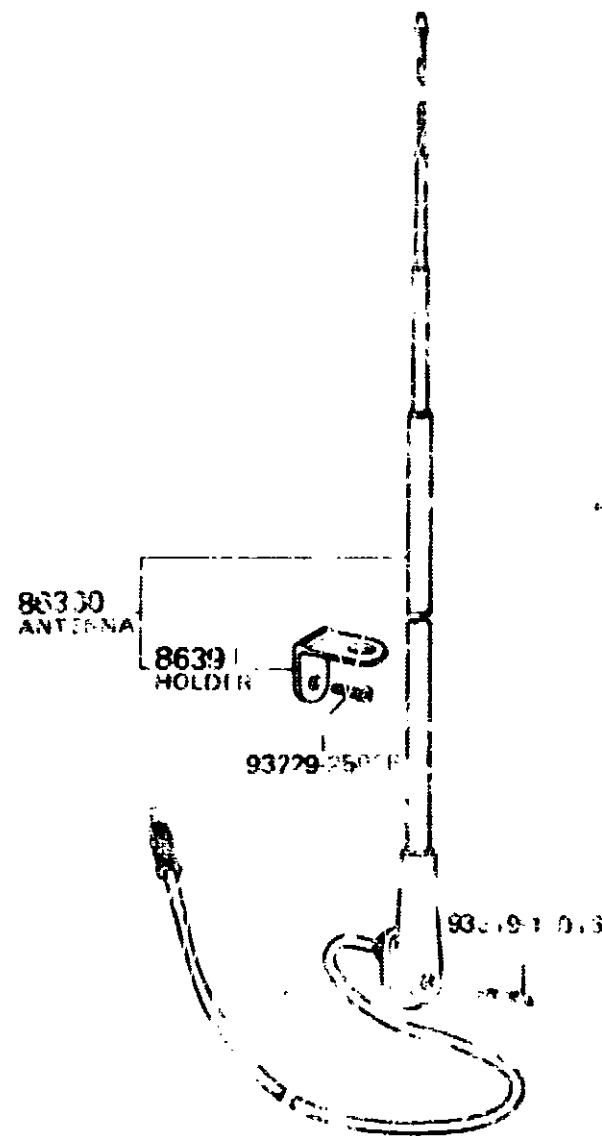
ILLUST.NO. 30F3



ME 7249 C

PROD. DATE	MODELS	DESCRIPTION	PART NUMBER	QTY.	REV. REF. CODE	
					FROM	UP TO
FIG.	84-01 SWITCH & RELAY					
		REGULATOR ASSY, GENERATOR				
8008-8309	2F..FJ40	IC TYPE	27700-3810-	1		
8008-8509	2F..FJ40..USA	STD TYPE	27700-10160-	1		
8008-8410	3B..BJ42	STD TYPE	27700-57030-	1		80
		RELAY ASSY, STARTER				
8008-8410	3B..BJ42		28300-5501-	1		86
		TIMER, PREHEATING				
8110-8410	3B..BJ42		28521-57010-	1	7	80
		CONTROLLER ASSY, GLOW PLUG				
8008-8410	3B..BJ42		28550-57020-	1		6
		RELAY ASSY, GLOW PLUG				
8008-8104	3B..BJ42		28610-46040-	1		
			28610-46041-	1		
8104-8110	3B..BJ42		28610-46041-	1		
8110-8410	3B..BJ42	SUB	28610-54180-	1	7	80
8110-8410	3B..BJ42	MAIN	28610-57030-	1	7	80
		COVER, GLOW PLUG RELAY				
8110-8410	3B..BJ42		28611-54011-	1	7	80
		RESISTOR, GLOW PLUG				
8110-8201	3B..BJ42		28621-57010-	1	7	
			28621-57011-	1		
			28621-57012-	1		
			28621-57013-	1		
			28621-57014-	1		
8201-8410	3B..BJ42		28621-57011-	1		80
		PLATE, CURRENT SENSOR				
8110-8410	3B..BJ42		28624-57010-	1	7	80
		SENSOR, GLOW PLUG CURRENT				
8110-8410	3B..BJ42		28631-57010-	1	7	80

(8008- )



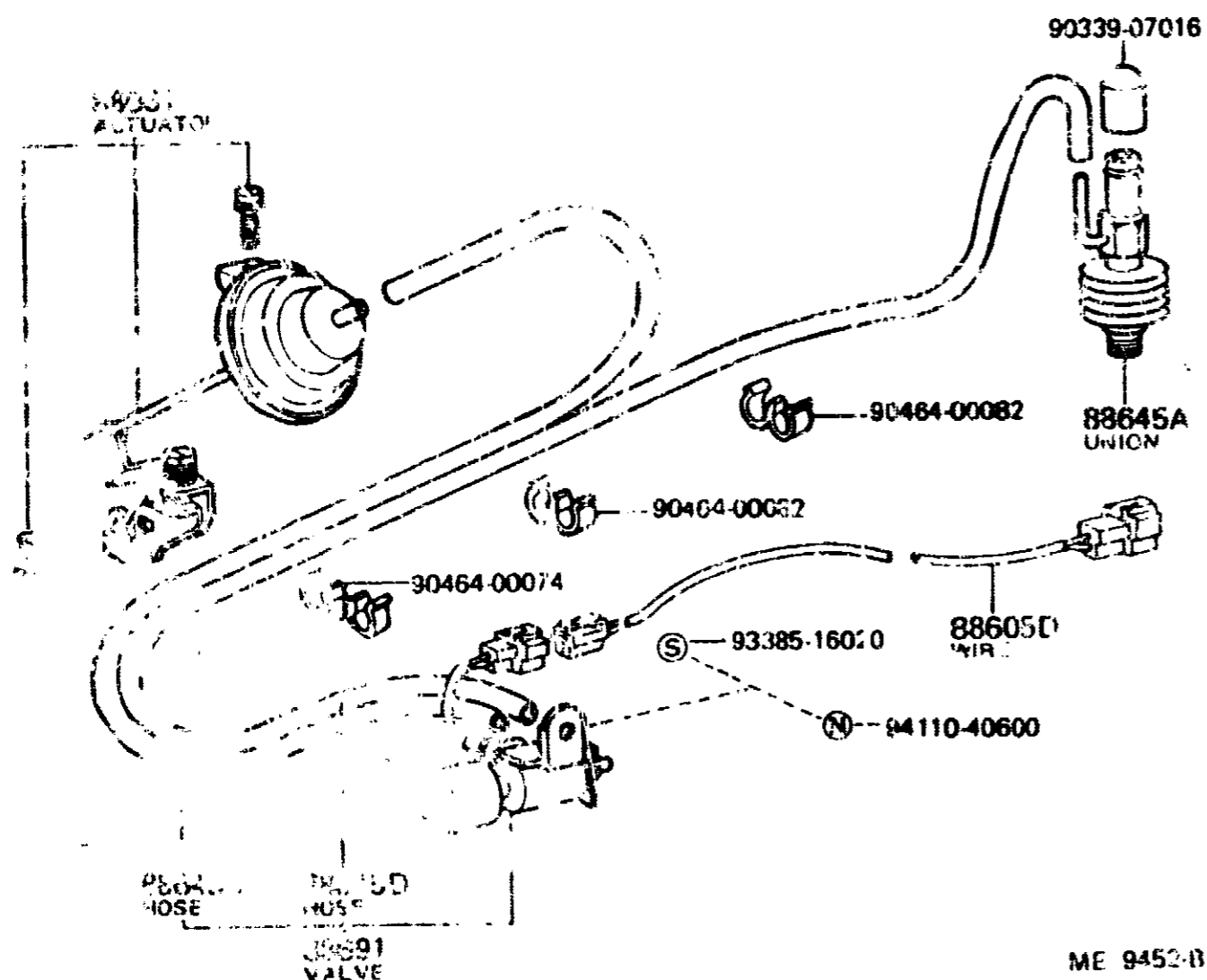
PRD. DATE	MODELS	DESCRIPTION	P/P	PART NUMBER	QTY	REV. REF. CODE	
						FROM	UP TO
FIG.	86-04 ANTENNA						
8008-8410	BJ42, FJ40	ANTENNA ASSY, W/HOLDER		86300-69010-	1		80
8008-8410	BJ42, FJ40	HOLDER- ANTENNA		86391-7011-	1		80

FIG. 87-17 HEATING & AIR CONDITIONING -  
VACUUM PIPING

3-E10

GENUINE TOYOTA PARTS

(8008-8309)FJ40..V..USA



PROD. DATE	MODELS	DESCRIPTION	P /	PART NUMBER	QTY	REV. REF. CODE	
						FROM	UP TO
FIG.	87-17 HEATING & AIR	CONDITIONING - VACUUM PIPING					
8008-8309	FJ40..V..USA	ACTUATOR SET, IDLE UP		88031-60010-	1		
8010-2309	FJ40	WIRE, AIR CONDITIONING		88605-60290-	1		
8008-8309	FJ40..V..USA	UNION (FOR IDLE UP DEVICE)		90404-51038-	1		1
8008-8309	FJ40..V..USA	HOSE (FOR IDLE UP DEVICE)		95411-10025-	1		1
8008-8309	FJ40..V..USA	HOSE		95411-19960-	1		1
8008-8309	FJ40..V..USA	VALVE, MAGNET (FOR IDLE UP DEVICE)		88691-50010-	1		1

\* Fit. Cut hose to length as specified in remarks

PART	NAME	LOCATION
CASE, OIL COOLER		1-G3
CASE, TRANSFER		2-L2
CATCH SUB-ASSY, HOOD		3-M1
CENTER PLATE SUB-ASSY, BOOSTER		2-C7
CHAIN ASSY, REAR DROP GATE, LH		3-J4
CHAIN ASSY, REAR DROP GATE, RH		3-J4
CHAMBER SUB-ASSY, COMBUSTION		1-E7
CHANNEL SUB-ASSY, FRONT DOOR GLASS, LH		3-F4
CHANNEL SUB-ASSY, FRONT DOOR GLASS, RH		3-F4
CHANNEL, ACCELERATOR IDLE ADJUSTING STOPPER		3-15
CLAMP (FOR AIR CLEANER HOSE, NO.1)		1-L4
CLAMP (FOR AIR CLEANER HOSE, NO.2)		1-L4
CLAMP (FOR AIR CLEANER HOSE, NO.3)		1-L4
CLAMP (FOR COOL AIR INTAKE)		1-L4
CLAMP (FOR EGR VACUUM MODULATOR)		1-18
CLAMP (FOR REAR AXLE BRATHER HOSE)		2-G4
CLAMP (FOR RESERVOIR TANK INLET HOSE)		2-E6
CLAMP (FOR RETURN TUBE OUTLET HOSE)		2-E6
CLAMP OR CLIP (FOR RADIATOR RESERVE TANK HOSE)		1-A4
CLAMP OR CLIP, HOOD SIDE PANEL CUSHION SHIM		3-L1
CLAMP OR CLIP HOSE (FOR OIL COOLER HOSE)		1-G3
CLAMP OR CLIP HOSE (FOR RADIATOR INLET)		1-B4
CLAMP OR CLIP, HOSE (FOR RADIATOR OUTLET, NO.1)		1-B4
CLAMP OR CLIP, HOSE (FOR RADIATOR OUTLET, NO.2)		1-B4
CLAMP OR CLIP, HOSE (FOR WATER BY-PASS HOSE)		1-M3
CLAMP OR CLIP, NO.1 (FOR AIR INJECTION SYSTEM HOSE, NO.1)		1-B5
CLAMP OR CLIP, NO.2 (FOR AIR INJECTION SYSTEM HOSE, NO.2)		1-B5
CLAMP OR CLIP, NO.3 (FOR AIR INJECTION SYSTEM HOSE, NO.3)		1-B5
CLAMP OR CLIP, NO.4 (FOR AIR INJECTION SYSTEM HOSE, NO.4)		1-B5
CLAMP OR CLIP, NO.5 (FOR AIR INJECTION SYSTEM HOSE, NO.5)		1-B5
CLAMP OR CLIP, NO.6 (FOR AIR INJECTION SYSTEM HOSE, NO.6)		1-C5
CLAMP SUB-ASSY, DISTRIBUTOR		3-M5
CLAMP, BALL GUIDE		2-15
CLAMP, CHOKE WIRE		1-C7
CLAMP, CORD		1-M5
CLAMP, CORD, NO.2		1-M5
CLAMP, DOOR LOCK CYLINDER AND SLEEVE		3-M4
CLAMP, FUEL LOCK CYLINDER		3-M4
CLAMP, FUEL PIPE (HOSE), NO.1		1-K6
CLAMP, FUEL PIPE (HOSE), NO.2		1-K6
CLAMP, INJECTION PIPE, NO.1		1-G7
CLAMP, POWER STEERING OIL COOLER INLET HOSE		2-D6
CLAMP, POWER STEERING OIL COOLER OUTLET HOSE		2-D6
CLAMP, RESISTIVE CORD, NO.1		1-J5
CLAMP, STEERING DRAG		2-16
CLAMP, STEERING RELAY ROD END		2-16
CLAMP, TIE ROD END		2-6
CLAMP, TUBE		2-M7
CLAMP, VENTILATION TUBE		1-E2
CLEANER ASSY, AIR		1-K6
CLEVIS, MASTER CYLINDER PUSH ROD		2-A7
CLEVIS, MASTER CYLINDER PUSH ROD (FOR CLUTCH)		2-E1
CLIP (FOR CARBURETOR FUEL HOSE)		1-K6
CLIP (FOR CONNECTOR TO CHECK VALVE HOSE)		2-D7
CLIP (FOR DEFROSTER GUIDES)		3-G2
CLIP (FOR DISC BRAKE ANTIPLATE)		2-E7
CLIP (FOR FENDER APPROX. FLASH PLATE)		3-L1
CLIP (FOR FUEL HOSE)		1-K6
CLIP (FOR UNION TO CONNECTOR HOSE)		2-D7
CLIP (FOR VENTILATION HOSE NO.2)		1-E2
CLIP (FOR VENTILATION HOSE NO.1)		1-E2
CLIP OR SPRING, RELEASE BEARING HUB		2-B1
CLIP, BOOSTER		2-C7
CLIP, FRONT SPRING, NO.1		2-D8

PART	NAME	LOCATION
CLIP, FRONT SPRING, NO.2		2-D8
CLIP, HOSE (FOR REAR AXLE BREATHER HOSE)		2-F4
CLIP, QUARTER WINDOW HINGE PLATE		1-E3
CLIP, REAR SPRING, NO.1		2-G8
CLIP, SPRING (FOR ROOF TRIP MOULDING STRENGTH SPACER SET)		3-G5
CLIP, TUBE (FOR RESERVOIR TUBE)		2-A7
CLUTCH ASSY, MAIN		3-J1
CLUTCH SUB-ASSY, STARTER		1-F6
CLUTCH, 1 WAY		2-M3
COCK SUB-ASSY, RADIATOR DRAIN		1-A4
COCK SUB-ASSY, WATER DRAIN (FOR CYLINDER BLOCK)		1-J1
COIL, HEAT CONTROL VALVE		1-F4
COIL, IGNITION		1-J5
COIL, STARTER FIELD		1-G6
COLLAR (FOR EXHAUST MANIFOLD)		1-E4
COLLAR (FOR PEDAL SHAFT)		2-L6
COLLAR OR NUT (FOR ALTERNATOR DRIVE END FRAME)		1-C6
COLLAR, CLUTCH PEDAL SHAFT		2-D1
COLLAR, REAR AXLE HOUSING SIDE		2-F7
COLLAR, THROTTLE VALVE SHAFT		1-J5
COMPRESSOR ASSY, COOLER		3-M10
COMPUTER ASSY, EMISSION CONTROL		2-F10
CONDENSER ASSY, COOLER		2-F10
CONDENSER, ALTERNATOR		1-C6
CONDENSER, RADIO SETTING		1-C9
CONNECTOR SUB-ASSY, FUEL TUBE		3-E6
CONNECTOR, GLOW PLUG NO.1		1-J5
CONNECTOR, INTAKE AIR		1-L4
CONNECTOR, VACUUM HOSE		2-D7
CONNECTOR, VENTURI PIPE		1-K8
CONSOLE ASSY		3-A7
CONTROL ASSY, JACK DOOR LOCK		3-K4
CONTROLLER ASSY, GLOW PLUG		3-E8
CONVERTER ASSY, W/CATALYST		1-A4
COOLER AND ACCESSORY ASSY		3-19
COOLER ASSY, EGR		1-I6
COOLER ASSY, OIL		1-G3
COOLER SUB-ASSY, OIL		2-D6
CORD (FOR HORN CONTACT RING)		2-C6
CORD SET, COIL AND SPARK, W/RESISTIVE		1-J5
CORD, COIL RESISTIVE		1-J5
CORD, SPARK PLUG RESISTIVE, NO.1		1-J5
CORD, SPARK PLUG RESISTIVE, NO.2		1-J5
CORD, SPARK PLUG RESISTIVE, NO.3		1-J5
CORD, SPARK PLUG RESISTIVE, NO.4		1-J5
CORD, SPARK PLUG RESISTIVE, NO.5		1-J5
CORD, SPARK PLUG RESISTIVE, NO.6		1-J5
CORE, STARTER FOLE		1-G3
COUNTER SHAFT		2-K3
COUPLING ASSY, FLEXIBLE		2-J5
COUPLING ASSY, FLUID		1-I3
COVER ASSY, CLUTCH		2-B1
COVER ASSY, RADIATOR		3-J1
COVER ASSY, TRANSFER LEVER HOLE		3-J2
COVER SUB-ASSY, CLUTCH		2-B1
COVER SUB-ASSY, COWL SIDE VENTILATOR, LH		3-F2
COVER SUB-ASSY, COWL SIDE VENTILATOR, RH		3-F2
COVER SUB-ASSY, CYLINDER HEAD		1-M1
COVER SUB-ASSY, DOOR HOLE, NO.1 LH		3-L3
COVER SUB-ASSY, DOOR HOLE, NO.1 RH		3-L3
COVER SUB-ASSY, FLYWHEEL HOUSING		1-M1
COVER SUB-ASSY, FREE WHEEL HUB		2-D5
COVER SUB-ASSY, FUEL INLET BOX		3-F6
COVER SUB-ASSY, FUEL TANK		3-K2



## SLEEVE - SPRING

E13


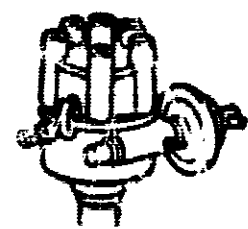
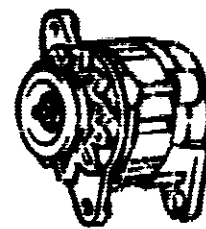
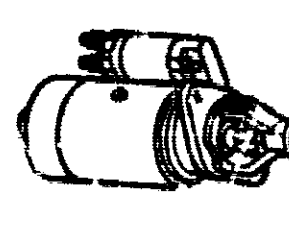
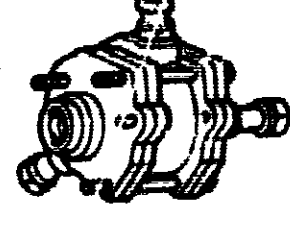
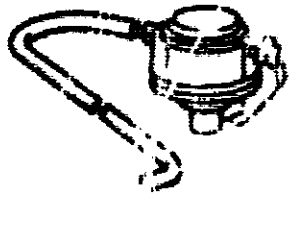
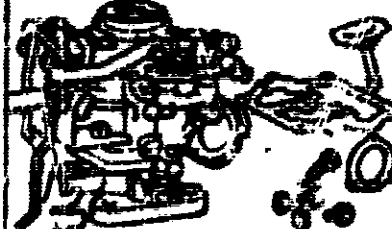
## SPRING - STAY

PART	NAME	LOCATION
SLEEVE, FRONT DRIVE CLUTCH		2-C3
SLEEVE, PLUNGER CONTROL		1-M7
SLEEVE, TRANSFER HIGH AND LOW CLUTCH		2-C3
SLEEVE, TRANSMISSION HUB, NO.2		2-C2
SLEEVE, TRANSMISSION HUB, NO.3		2-C2
SLIDER (FOR SPEED CONTROL)		1-M7
SLINGER, FRONT AXLE DRIVE PINION OIL		2-B5
SLINGER, REAR DIFFERENTIAL DRIVE PINION OIL		2-E4
SLIPPER, VANE PUMP		2-B6
SNAP, ROD (FOR DOOR LOCK)		3-K4
SOCKET SUB-ASSY, COMBINATION METER BULB		3-A8
SOCKET SUB-ASSY, INSPECTION LAMP, NO.1		3-F8
SOLENOID, THROTTLE VALVE		1-D7
SPACER (FOR ACCELERATOR TORQUE ROD BRACKET)		3-F1
SPACER (FOR BODY MOUNT NO.1 CUSHION)		3-F1
SPACER (FOR BODY MOUNT NO.2 CUSHION)		3-F1
SPACER (FOR BODY MOUNT NO.5 CUSHION)		3-G1
SPACER (FOR GEAR STOPPER)		2-B2
SPACER (FOR OUTPUT SHAFT)		2-B2
SPACER (FOR TRANSFER OUTPUT SHAFT)		2-B3
SPACER OR WASHER, FRONT AXLE DRIVE PINION THRUST		2-B5
SPACER, BACK DOOR WEATHERSTRIP		3-H4
SPACER, BODY MOUNTING		3-F1
SPACER, CLUTCH DISC		2-M3
SPACER, DIFFERENTIAL PINION SHAFT		2-F4
SPACER, FAN BELT ADJUSTING BAR		1-A4
SPACER, FRONT SIDE PANEL PILLAR		3-D3
SPACER, FRONT SIDE TOP BOW BRACKET		3-K3
SPACER, FRONT SIDE VINYL TOP BOW		3-K3
SPACER, FUEL TANK BRACKET		3-F6
SPACER, INPUT SHAFT		2-K3
SPACER, INSTRUMENT PANEL SAFETY PAD, SET		3-D2
SPACER, MEMBER, NO.1		2-M3
SPACER, MEMBER, NO.2		2-M3
SPACER, REAR MEMBER		2-M3
SPACER, HOOF DRIP MOULDING STRENGTH		3-G5
SPACER, TRANSFER IDLER GEAR		2-C3
SPACER, TRANSFER INPUT SHAFT		2-C3
SPACER, WINCH DRUM, NO.1		2-L3
SPACER, WINCH DRUM, NO.2		2-L3
SPACER, WINCH WIRE GUIDE ROLLER		2-M3
SPACER, WINDSHIELD		3-G2
SPANNER		1-B1
SPANNER SET		1-B1
SPEAKER ASSY, FRONT NO.1		3-D9
SPEEDOMETER ASSY		3-A8
SPIDER KIT, UNIVERSAL JOINT		2-G3
SPINDLE, STEERING KNUCKLE		2-A8
SPLINE, OIL PUMP DRIVE		1-M2
SPRING (FOR ACCELERATOR PEDAL ROD)		3-I6
SPRING (FOR BRAKE PEDAL RETURN)		2-L6
SPRING (FOR CLUTCH PEDAL)		2-D1
SPRING (FOR COWL SIDE VENTILATOR COVER)		3-F2
SPRING (FOR PUMP JET)		1-B7
SPRING (FOR REAR BRAKE SHOE HOLD DOWN)		2-G7
SPRING (FOR WINCH MOTOR)		2-A4
SPRING ASSY, FRONT, LH		2-D8
SPRING ASSY, FRONT, RH		2-D8
SPRING ASSY, REAR LH		2-G8
SPRING ASSY, REAR RH		2-G8
SPRING, ALTERNATOR BRUSH		1-D6
SPRING, ANTIRATTLE, NO.1		2-E7
SPRING, BACK (FOR THROTTLE SHAFT)		1-D7
SPRING, CHECK VALVE RELIEF		1-C7

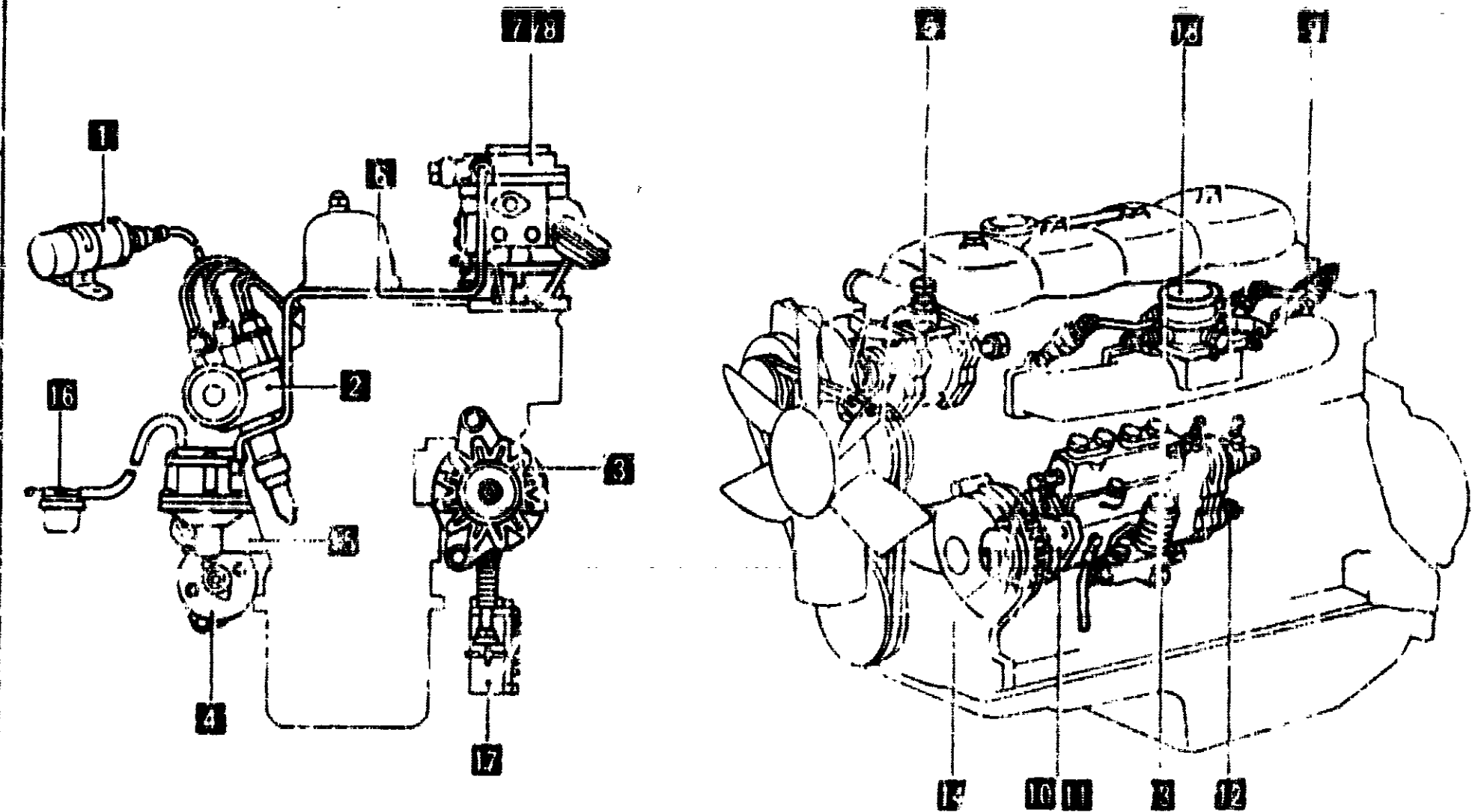
PART	NAME	LOCATION
SPRING, CLUTCH RETRACTING		2-B1
SPRING, COMPRESSION (FOR FLOW CONTROL VALVE)		2-A6
SPRING, COMPRESSION (FOR HEAT CONTROL SHAFT)		1-F4
SPRING, COMPRESSION (FOR INNER)		1-K2
SPRING, COMPRESSION (FOR OUTER)		1-K2
SPRING, COMPRESSION (FOR PARKING BRAKE PAWL ROD)		2-J6
SPRING, COMPRESSION (FOR REAR WHEEL BRAKE CYLINDER)		2-M7
SPRING, COMPRESSION (FOR REVERSE & 5TH SHIFT RETURN PLUNGER)		2-G2
SPRING, COMPRESSION (FOR REVERSE SHIFT RETURN PLUNGER)		2-F2
SPRING, COMPRESSION (FOR ROCKER ARM)		1-L2
SPRING, COMPRESSION (FOR SHIFT DETENT BALL LOW SIDE)		2-H2
SPRING, COMPRESSION (FOR SHIFT DETENT BALL)		2-D3
SPRING, COMPRESSION (FOR SHIFT LEVER)		2-J2
SPRING, COMPRESSION (FOR STEERING CENTER ARM)		2-H6
SPRING, COMPRESSION (FOR STEERING LINK JOINT)		2-I6
SPRING, COMPRESSION (FOR STEERING MAIN SHAFT)		2-J5
SPRING, COMPRESSION (FOR VANE PUMP SLIPPER)		2-B6
SPRING, COMPRESSION (FOR VENT WINDOW GLASS FRAME)		3-A4
SPRING, COMPRESSION (FOR VENTILATING WINDOW LOCK HANDLE)		3-A4
SPRING, COMPRESSION (FOR 1ST & 2ND SHIFT RETURN PLUNGER)		2-G2
SPRING, COMPRESSION, NO.2 (FOR SHIFT DETENT BALL)		2-H2
SPRING, CONICAL (FOR SHIFT LEVER)		2-J2
SPRING, CONICAL (FOR VALVE ROCKER SHAFT)		1-L2
SPRING, DELIVERY VALVE		1-I7
SPRING, DIAPHRAGM STOP LEVER RETURN		1-L7
SPRING, EXHAUST MANIFOLD		1-E4
SPRING, FEED PUMP CHECK VALVE		1-A8
SPRING, FEED PUMP PISTON		1-A8
SPRING, GOVERNOR MAIN		1-L7
SPRING, GOVERNOR, A		1-L5
SPRING, GOVERNOR, B		1-L5
SPRING, HEADLAMP TENSION		3-K6
SPRING, IDLE ADJUSTING		1-C7
SPRING, INNER REAR VIEW MIRROR		3-G9
SPRING, NOZZLE HOLDER PRESSURE		1-E7
SPRING, OIL PUMP RELIEF VALVE		1-B3
SPRING, POWER PISTON		1-C7
SPRING, PUMP ARM		1-C7
SPRING, PUMP DAMPING		1-C7
SPRING, PUMP PLUNGER		1-I7
SPRING, RETAINER (FOR VALVE ROCKER SHAFT)		1-L2
SPRING, RETURN		1-K6
SPRING, REVERSE SHIFT RESTRICT		2-G2
SPRING, SHIFT LOCK		2-L3
SPRING, SPEED CONTROL		1-M7
SPRING, STARTER BRAKE		1-H6
SPRING, STARTER BRUSH		1-G6
SPRING, STARTER MAGNET SWITCH RETURN		1-H6
SPRING, SYNCHROMESH SHIFTING KEY (FOR NO.2 CLUTCH HUB)		2-C2
SPRING, SYNCHROMESH SHIFTING KEY (FOR NO.3 CLUTCH HUB)		2-C2
SPRING, TENSION (FOR ACCELERATOR WIRE RETURN SPRING)		3-I6
SPRING, TENSION (FOR CLUTCH RELEASE FORK RETURN)		2-B1
SPRING, TENSION (FOR PARKING BRAKE BELL CRANK RETURN)		2-M7
SPRING, TENSION (FOR REAR BRAKE SHOE RETURN)		2-G7
SPRING, TENSION (FOR SPARE WHEEL CARRIER LOCK)		1-E1
SPRING, THROTTLE ADJUSTING		1-C7
SPRING, TIMER		1-78
SPRING, TORSION (FOR REAR BRAKE AUTOMATIC ADJUST LEVER)		2-G7
SPRING, 1ST IDLE ADJUSTING		1-C7
STARTER ASSY		1-F6
STATOR ASSY, ALTERNATOR		1-D6
STATOR SUB-ASSY, MAGNET CLUTCH		3-I10
STAY SUB-ASSY, FRONT BUMPER, LH		3-M1
STAY SUB-ASSY, FRONT BUMPER, RH		3-M1

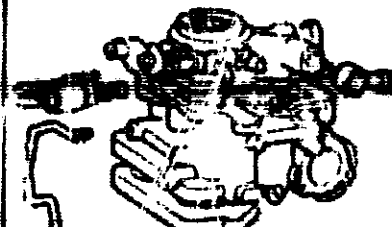

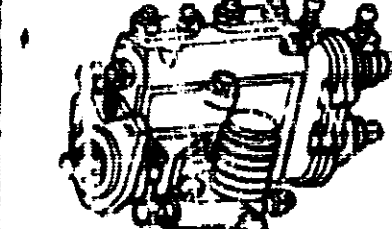
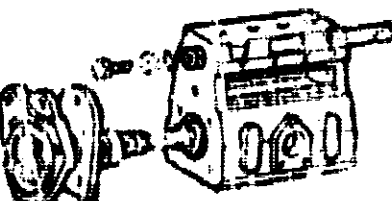
PART NUMBER	LOCATION	PART NUMBER	LOCATION	PART NUMBER	LOCATION	PART NUMBER	LOCATION	PART NUMBER	LOCATION	PART NUMBER	LOCATION
38193-60010-	2-L3	38640-60010-	2-B4	42108-60010-	2-F4	43236-60010-	2-A8	44330-60040-	2-A6	45220-60070-	2-J5
38202-60040-	2-L3	-60020-	2-B4	42109-60050-	2-F4	43237-60030-	2-A8	-60050-	2-A6	45222-30030-	2-J5
-60041-	2-L3	38641-60010-	2-B4	42110-60025-	2-F4	43401-60012-	2-A8	-60060-	2-A6	45224-30040-	2-J5
38203-60040-	2-L3	38642-60010-	2-B4	-60026-	2-F4	43405-60015-	2-C5	44341-30020-	2-B6	45225-30040-	2-J5
38205-60040-	2-L3	38659-60010-	2-B4	-60052-	2-F4	43411-60020-	2-C5	44343-12010-	2-B6	45226-30020-	2-J5
38211-60040-	2-L3	38915-90300-	3-J7	-60053-	2-F4	43412-60020-	2-C5	-30020-	2-B6	45230-36010-	2-J5
38214-60040-	2-L3	-90302-	3-J7	-60073-	2-F4	43421-60013-	2-D5	44344-30010-	2-B6	45240-36041-	2-J5
38216-60040-	2-M3	38916-90301-	3-J7	-60093-	2-F4	43422-60010-	2-D5	44346-30020-	2-B6	45254-60040-	2-K5
-60041-	2-M3	-90303-	3-J7	42137-35010-	2-F4	43423-60011-	2-E5	44350-60010-	2-D6	45255-60020-	2-K5
38217-60040-	2-M3	41101-60021-	2-A5	42181-36010-	2-A5	43435-60011-	2-B8	44372-22010-	2-B6	45269-36010-	2-K5
38218-60040-	2-M3	41110-60016-	2-A5	42183-35010-	2-F4	43436-60011-	2-B8	44381-60011-	2-D6	45280-60042-	2-K5
38221-60040-	2-M3	-60017-	2-A5	42306-60010-	2-F4	43502-60020-	2-E5	44391-30010-	2-B6	-60052-	2-K5
38223-60040-	2-M3	-60017-	2-A5	-60040-	2-F4	43509-60013-	2-D5	-30020-	2-B6	-60053-	2-K5
38225-60040-	2-M3	-60026-	2-A5	42311-60052-	2-F4	-60015-	2-D5	44410-60021-	2-D6	-60062-	2-K5
38226-60040-	2-M3	-60026-	2-A5	-60060-	2-F4	43512-69015-	2-E5	-60060-	2-D6	-60063-	2-K5
38228-60040-	2-M3	-60026-	2-D4	42312-60042-	2-F4	43521-60011-	2-E5	44411-60030-	2-D6	45286-30907-	2-K5
38229-60040-	2-M3	41114-35010-	2-A5	-60070-	2-F4	43530-69016-	2-E5	-60080-	2-D6	-60909-	2-K5
38232-60040-	2-M3	41201-69091-	2-B5	42323-60010-	2-D5	-69017-	2-E5	-60090-	2-D6	45301-36050-	2-K5
-60041-	2-M3	-69115-	2-B5	-60020-	2-B8	43531-60010-	2-E5	44412-50020-	2-E6	45304-36020-	2-K5
38234-60040-	2-M3	42325-55010-	2-F4	42325-55010-	2-F4	43532-60010-	2-E5	44416-60021-	2-E6	45310-36070-	2-K5
38236-60040-	2-M3	42411-60011-	2-F4	42411-60011-	2-F4	44104-22011-	2-E5	-60080-	2-E6	-60030-	2-K5
38237-60040-	2-M3	42419-60011-	2-F4	42419-60011-	2-F4	44105-30050-	2-H5	44420-60031-	2-D6	45312-60041-	2-K5
38286-60010-	2-K3	42420-60070-	2-F4	42420-60070-	2-F4	-30060-	2-H5	44443-60010-	2-E6	45321-36020-	2-K5
38302-60010-	2-M3	42427-60020-	2-F4	42427-60020-	2-F4	44107-60020-	2-H5	-60020-	2-E6	45323-36010-	2-K5
38314-60010-	2-M3	-60021-	2-F4	-60021-	2-F4	-60040-	2-H5	44446-60010-	2-E6	-36020-	2-K5
38321-60010-	2-M3	41214-30010-	2-B5	42428-60011-	2-F4	44108-60010-	2-F5	-36030-	2-K5	-36040-	2-K5
38322-60010-	2-M3	-40010-	2-B5	42431-60020-	2-F4	44110-60021-	2-F5	44601-30350-	2-C7	45301-36050-	2-K5
38323-60010-	2-M3	41276-35010-	2-B5	42441-30010-	2-F4	-60022-	2-F5	44606-30350-	2-C7	-36050-	2-K5
38324-60010-	2-M3	42601-60072-	2-K4	42443-55020-	2-F4	44111-60010-	2-F5	44608-30350-	2-C7	-36060-	2-K5
38325-60010-	2-M3	-60082-	2-K4	42603-35080-	2-L4	44115-60010-	2-F5	44609-30350-	2-C7	-36070-	2-K5
38329-60010-	2-M3	-60130-05	2-K4	-35090-	2-L4	44116-60020-	2-F5	44610-60180-	2-C7	-36080-	2-K5
38333-60010-	2-M3	41311-36010-	2-A5	-60011-	2-L4	44120-60071-	2-J5	-60210-	2-C7	45332-36010-	2-K5
38334-60010-	2-M3	41315-30010-	2-A5	-60020-	2-L4	-60022-	2-J5	44632-60100-	2-C7	45351-36020-	2-L5
-60060-	2-M3	41316-30010-	2-A5	-60030-	2-L4	-60031-	2-J5	44633-30350-	2-C7	45352-36010-	2-L5
38340-60040-	2-A4	41331-35020-	2-A5	-60040-	2-L4	44142-22010-	2-F5	44658-30350-	2-C7	45353-36010-	2-L5
38340-60040-	2-A4	41341-55012-	2-B5	-60050-	2-L4	-22020-	2-J5	44659-30350-	2-C7	45354-36010-	2-L5
38600-69010-	2-A4	41342-55010-	2-A5	-60051-	2-L4	44302-30020-	2-H5	44675-30310-	2-C7	45355-36010-	2-L5
-60020-	2-A4	41343-55010-	2-A5	-60060-	2-L4	44303-22011-	2-H5	44778-22010-	2-C7	45356-36010-	2-L5
38601-60010-	2-A4	-55010-	2-F4	-60061-	2-L4	-22021-	2-H5	44704-60020-	2-D7	45357-36020-	2-L5
-60070-	2-A4	41344-35010-	2-F4	42621-60010-	2-L4	44304-30022-	2-H5	44730-22010-	2-D7	-60010-	2-J5
38602-60010-	2-A4	41345-35010-	2-F4	-60020-	2-L4	44305-30020-	2-A8	44756-60010-	2-D7	45421-60021-	2-H6
-60020-	2-A4	41346-35010-	2-F4	-60030-	2-L4	-60010-	2-A6	44758-30040-	2-D7	45422-60020-	2-H6
38603-60010-	2-A4	41347-35010-	2-F4	-60040-	2-L4	44306-60030-	2-B6	44763-60020-	2-D7	45424-60040-	2-H6
-60020-	2-A4	41348-35010-	2-F4	-60050-	2-L4	-60031-	2-B6	44764-60040-	2-D7	45427-60020-	2-H6
38610-60010-	2-A4	41351-35011-	2-B5	-60051-	2-L4	-60040-	2-B6	44768-60041-	2-D7	45429-60020-	2-H6
-60020-	2-A4	41361-60010-	2-A5	-60060-	2-L4	-60041-	2-B6	44773-22020-	2-D7	45430-60020-	2-L6
38611-60010-	2-A4	-60020-	2-A5	42621-60010-	2-L4	-60060-	2-B6	44779-60010-	2-D7	-60040-	2-L6
-60020-	2-A4	41344-35010-	2-F4	-60020-	2-L4	44307-22010-	2-B6	-60020-	2-D7	45438-30010-	2-L6
38612-60010-	2-A4	41345-35010-	2-F4	-60030-	2-L4	-22020-	2-B6	45025-60040-	2-K5	45441-60010-	2-L6
38613-60010-	2-A4	41346-35010-	2-F4	-60040-	2-L4	44308-60010-	2-B6	45045-69015-	2-H6	45442-60010-	2-L6
-60020-	2-A4	41347-35010-	2-F4	42652-35100-	2-L4	44311-60010-	2-A6	45046-69025-	2-H6	45447-60010-	2-L6
38614-60010-	2-A4	41348-35010-	2-F4	-60011-	2-L4	-60040-	2-A6	-69035-	2-H6	45450-60021-	2-L6
38616-60010-	2-A4	41351-35011-	2-B5	-60022-	2-L4	44120-60030-	2-A6	-69055-	2-H6	45451-60040-	2-L6
38617-60010-	2-A4	41361-60010-	2-A5	-60030-	2-L4	-60031-	2-A6	45047-69025-	2-L6	45460-69031-	2-L6
38621-60010-	2-A4	-60020-	2-A5	-60040-	2-L4	-60040-	2-A6	45100-60090-	2-F6	45461-60021-	2-L6
38622-60010-	2-A4	41344-35010-	2-F4	43110-60094-	2-A5	-60041-	2-A6	45105-60010-	2-F6	45466-30010-	2-L6
38623-60010-	2-A4	41345-35010-	2-F4	-60122-	2-A5	-60080-	2-A6	45125-60040-	2-F6	-55010-	2-L6
38625-60010-	2-A4	41346-35010-	2-F4	43204-60020-	2-A8	44325-30030-	2-A6	45130-60050-	2-F6	45473-35010-	2-L6
38626-60010-	2-A4	41347-35010-	2-F4	43211-60050-	2-A8	-30040-	2-A6	45131-60050-	2-F6	45475-35010-	2-L6
38627-60010-	2-A4	41348-35010-	2-F4	43212-60050-	2-A8	44329-30010-	2-A6	45176-20030-	2-F6	45479-30030-	2-H6
-60011-	2-A4	41349-35010-	2-F4	43232-60021-	2-A8	-30020-	2-A6	45194-60010-	2-F6	-60040-	2-L6
38628-60010-	2-B4	-60030-	2-A5	43233-60011-	2-A8	44330-60010-	2-A6	45210-60050-	2-J5	45511-60022-	2-L6
38629-60010-	2-B4	-60040-	2-A5	43234-60011-	2-A8	-60020-	2-A6	45214-30030-	2-J5	45612-60022-	2-L6
38631-60010-	3-F8	-60030-	3-F8	43235-60010-	2-A8	-60030-	2-A6	45220-60060-	2-J5	45700-69015-	2-L6


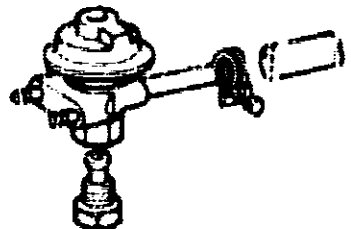

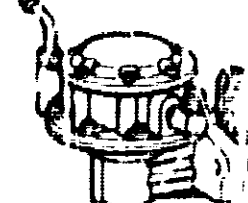
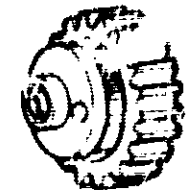
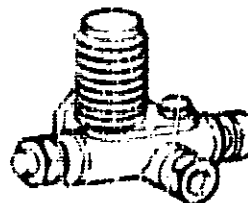

ILLUSTRATED INDEX

1-15 (19-01) <b>1</b>  Ignition Coil & Cord	1-K5 (19-02) <b>2</b>  Distributor	1-A6 (19-03) <b>3</b>  Alternator	1-E6 (19-04) <b>4</b>  Starter	1-I6 (19-05) <b>5</b>  Vacuum Pump	1-K6 (21-01) <b>6</b>  Fuel Pipe & Clamp	1-L6 (21-02) <b>7</b>  Carburetor Assembly
--	--	--	---	---	---	---

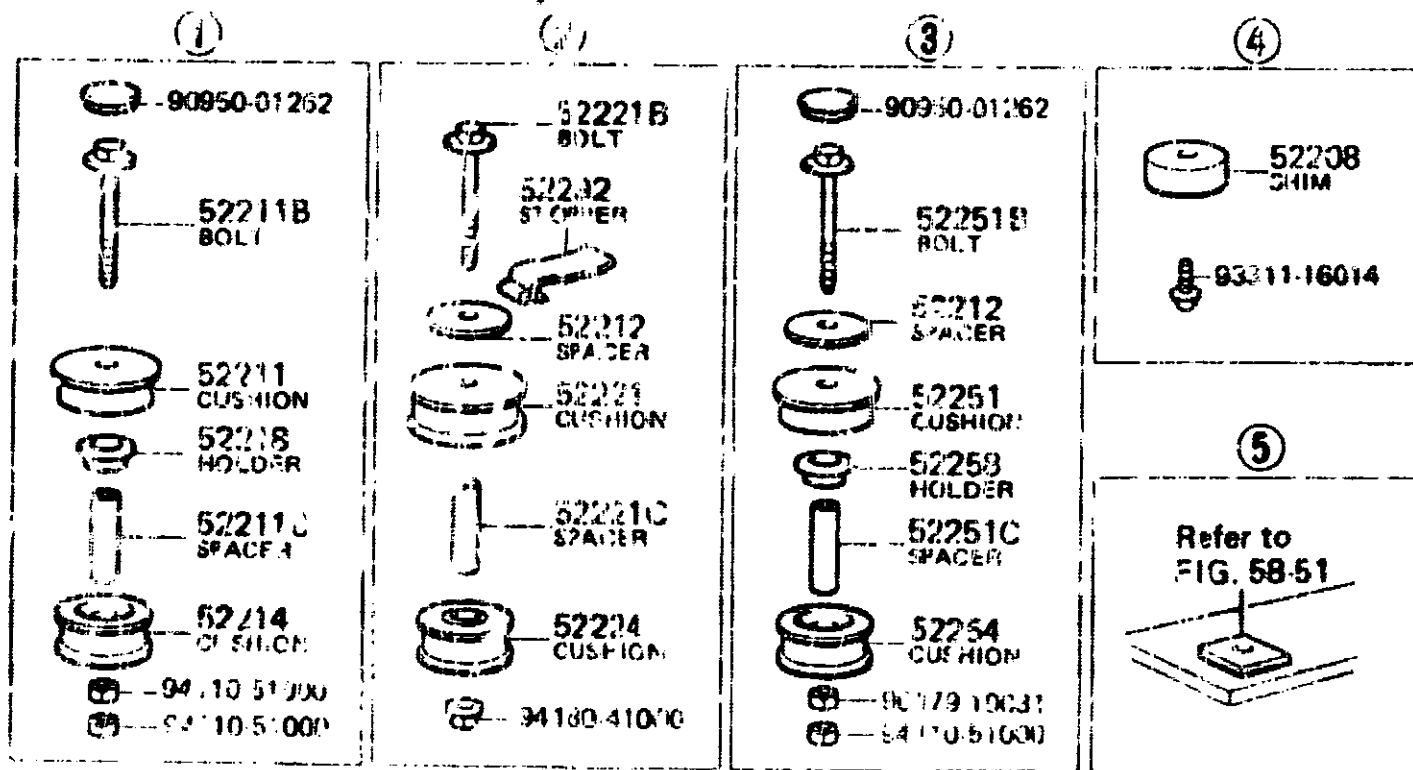
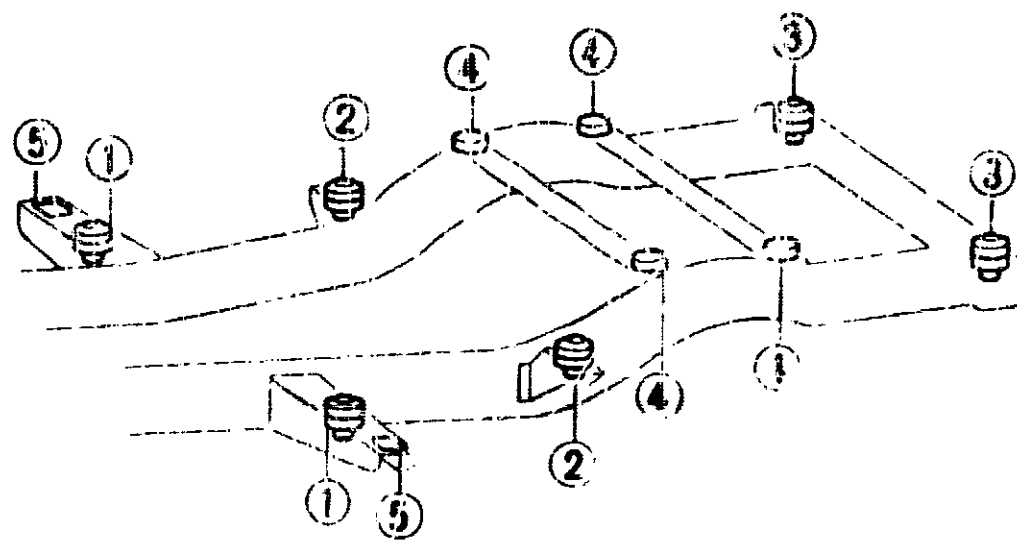
ENGINE, FUEL. GROUP (2 / 2)



						1-M6 (21-03) <b>8</b>  Carburetor
						1-E7 (22-01) <b>9</b>  Injection Nozzle
						1-G7 (22-02) <b>10</b>  Injection Pump Assembly
						1-H7 (22-03) <b>11</b>  Injection Pump Body

1-J8 (26-06) <b>12</b>  Venturi	1-H8 (25-01) <b>13</b>  EGR System	1-E8 (23-02) <b>14</b>  Fuel Filter	1-D6 (23-01) <b>15</b>  Fuel Pump	1-C8 (22-07) <b>16</b>  Automatic Timer	1-A8 (22-06) <b>17</b>  Fuel Feed Pump	1-K7 (22-04) <b>18</b>  Pneumatic Governor
--	--	--	--	--	---	---

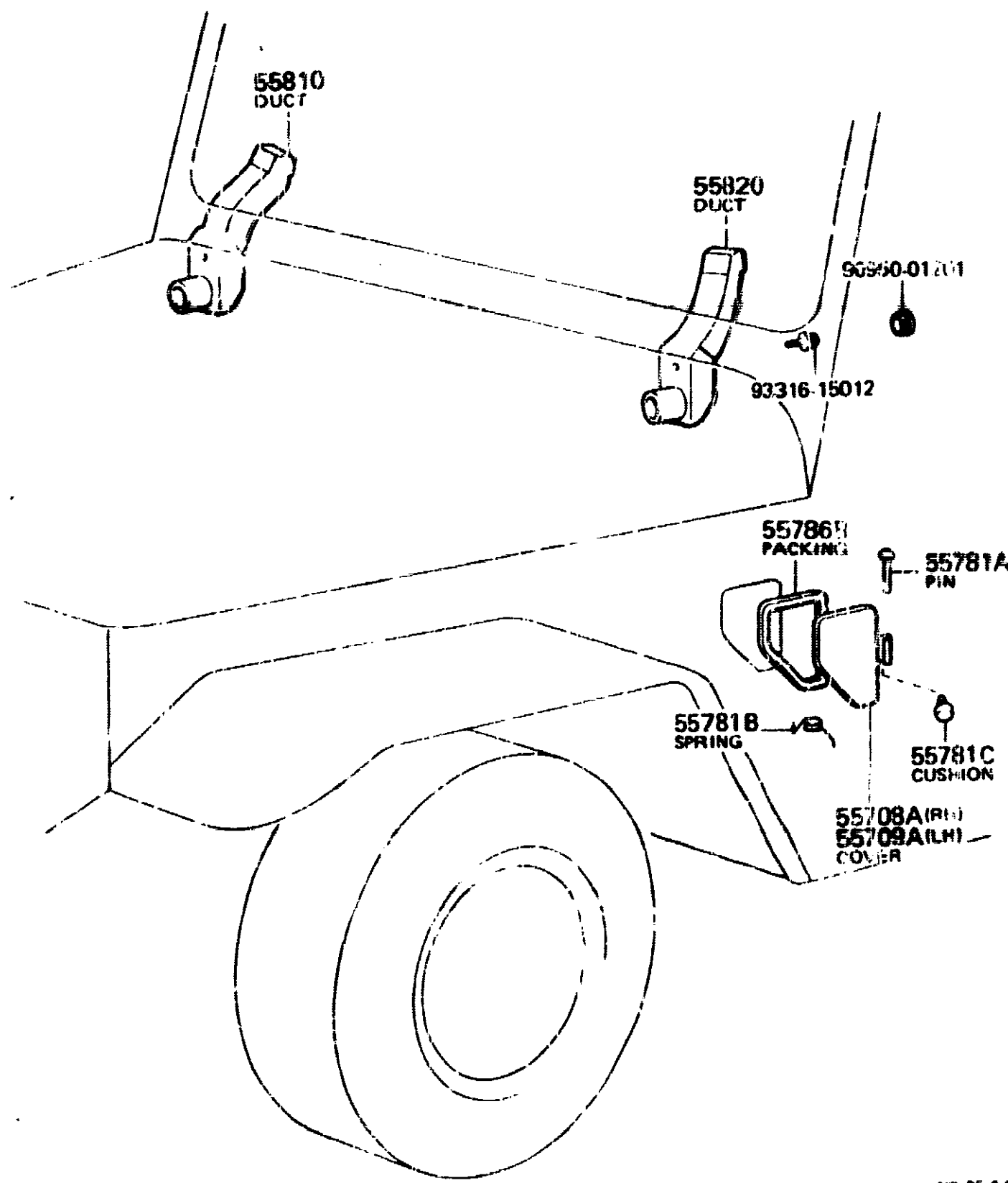
(8008-- )



MB 8512A

PROD. DATE	MODELS	DESCRIPTION	PART NUMBER	QTY	REV. REF. CODE	
					FROM	UP TO
FIG. 52-51 CAB MOUNTING & BODY MOUNTING						
		52208 SHIM SUB-ASSY, BODY MOUNT				
8008-8410	BJ42, FJ40		52208-90300-	4	1	80
		52211 CUSHION, BODY MOUNT, NO.1 UPPER				
8008-8410	BJ42, FJ40	H=26.7	52201-90300-	2	1	80
8008-8410	BJ42, FJ40	H=21.7, ADJUSTER	52201-90301-	2	1	80
		52211B BOLT (FOR BODY MOUNT NO.1 CUSHION)				
8008-8410	BJ42, FJ40		90109-10123-	2	1	80
		52211C SPACER (FOR BODY MOUNT NO.1 CUSHION)				
8008-8410	BJ42, FJ40	L=48.1	90560-12009-	2	1	80
8008-8410	BJ42, FJ40	L=43.1, ADJUSTER	90560-12017-	2	1	80
		52212 SPACER, BODY MOUNTING				
8008-8410	BJ42, FJ40	T=5.0, ADJUSTER	52231-90300-	33	1	80
		52214 CUSHION, BODY MOUNT NO.1 LOWER				
8008-8410	BJ42, FJ40		52202-90300-	2	1	80
		52218 HOLDER, BODY MOUNT BOLT SPACER, NO.1				
8008-8410	BJ42, FJ40		52223-22010-	1	1	80
		52221 CUSHION, BODY MOUNT, NO.2 UPPER				
8008-8410	BJ42, FJ40		52203-90300-	2	1	80
		52221B BOLT (FOR BODY MOUNT NO.2 CUSHION)				
8008-8410	BJ42, FJ40		90109-10039-	2	1	80
		52221C SPACER (FOR BODY MOUNT NO.2 CUSHION)				
8008-8410	BJ42, FJ40		90560-12009-	2	1	80
		52224 CUSHION, BODY MOUNT, NO.2 LOWER				
8008-8410	BJ42, FJ40		52204-90300-	2	1	80

(8008-



PROD. DATE	MODELS	DESCRIPTION	PART NUMBER	REV. REF. CODE	
				FROM	UP TO
FIG.	55-52 FRONT VENTILATOR				
8008-8410	BJ42, FJ40	COVER SUB-ASSY, COWL SIDE VENTILATOR, RH	55708-60011-	1	80
8008-8410	BJ42, FJ40	COVER SUB-ASSY, COWL SIDE VENTILATOR, LH	55709-60011-	1	80
8008-8410	BJ42, FJ40	PIN (FOR COWL SIDE VENTILATOR COVER)	90241-05002-	2	80
8008-8410	BJ42, FJ40	SPRING (FOR COWL SIDE VENTILATOR COVER) RH	90508-16021-	1	80
8008-8410	BJ42, FJ40	SPRING (FOR COWL SIDE VENTILATOR COVER) LH	90508-16029-	1	80
8008-8410	BJ42, FJ40	CUSHION (FOR COWL SIDE VENTILATOR COVER)	90541-06008-	2	80
8008-8410	BJ42, FJ40	PACKING, COWL SIDE VENTILATOR COVER	55786-90301-	2	80
8008-8410	BJ42, FJ40..V	DUCT ASSY, SIDE VENTILATOR, RH	87211-60110-	1	80
8008-8410	BJ42, FJ40..V	DUCT ASSY, SIDE VENTILATOR, LH	87211-60120-	1	80

MB 85 9-A

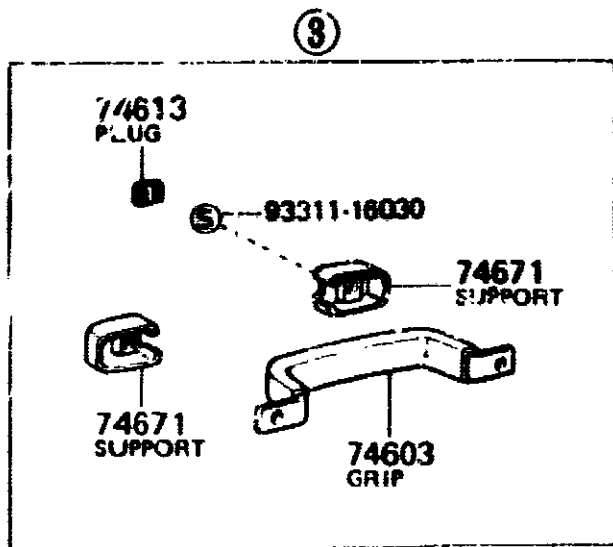
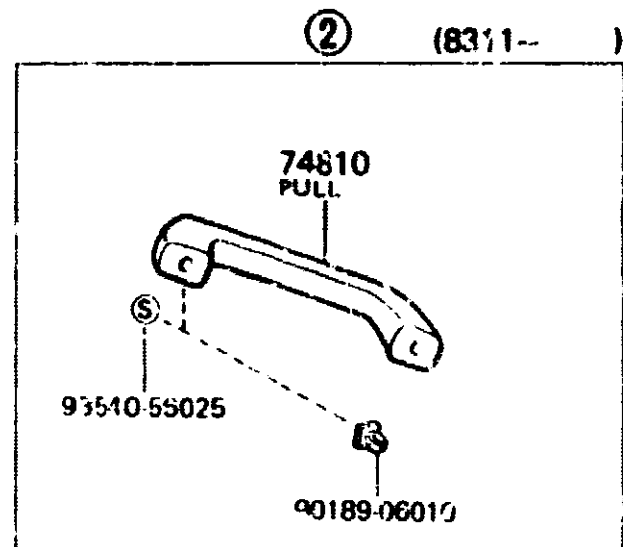
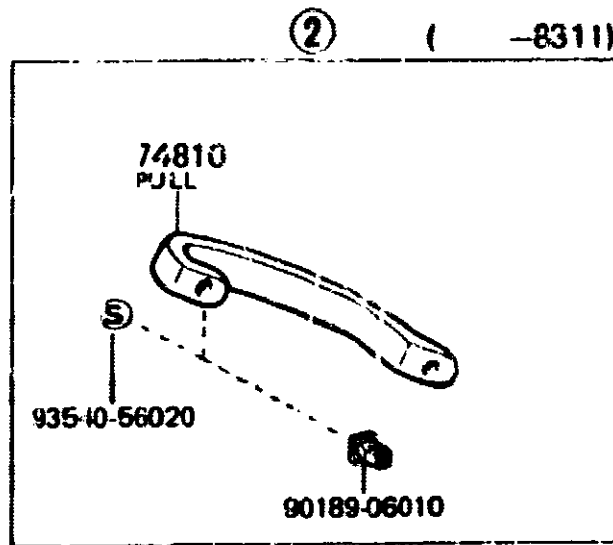
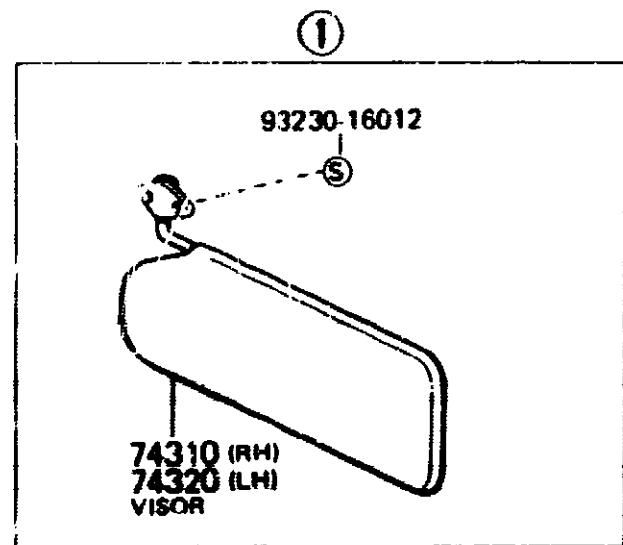
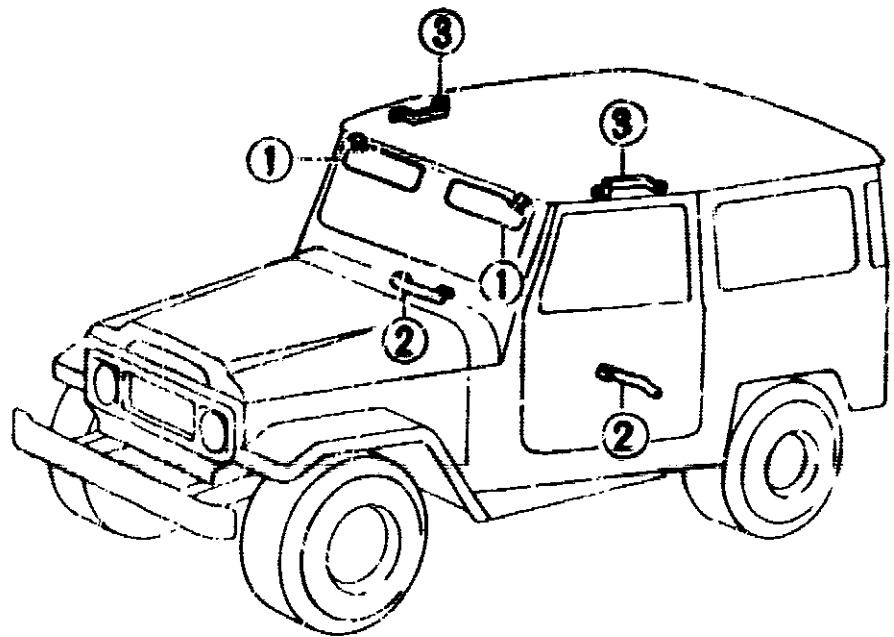
PROD. DATE	MODELS	DESCRIPTION	R/P	PART NUMBER	QTY	REV. REF. CODE		PROD. DATE	MODELS	DESCRIPTION	R/P	PART NUMBER	QTY	REV. REF. CODE	
						FROM	UP TO							FROM	UP TO
8008-8410	BJ42, FJ40..V	WEATHERSTRIP, SIDE WINDOW, NO. 1 (FOR FIXED TYPE)		62741-90303-	2	1	80								
8008-8410	BJ42, FJ40..V	LOCK ASSY, QUARTER OR SIDE WINDOW, RH		62910-90300-	1	1	80								
8008-8410	BJ42, FJ40..V	GASKET (FOR QUARTER OR SIDE WINDOW LOCK OR HINGE)		62734-12010-	4	1	80								
8008-8410	BJ42, FJ40..V	RETAINER, SIDE WINDOW LOCK		62733-90300-	2	1	80								
8008-8410	BJ42, FJ40..V	LOCK ASSY, QUARTER WINDOW, LH		62910-90300-	1	1	80								

PROD. DATE	MODELS	DESCRIPTION	R/P	PART NUMBER	QTY	REV. REF. CODE		
						FROM	UP TO	
8008-8410	BJ42, FJ40	W/O XVW		69901-90800-	1	1	80	
8008-8410	BJ42, FJ40	W/XVW		69901-90801-	1	1	80	
8008-8410	BJ42, FJ40	W/XVW		69901-90801-	1	1	80	
8008-8410	BJ42, FJ40	W/O XVW		69902-90800-	1	1	80	

PROD. DATE	MODELS	DESCRIPTION	R/P	PART NUMBER	QTY	REV. REF. CODE		
						FROM	UP TO	

\* VW = Ventilator Window

(8008- )



MB B855-C

PRCD. DATE	MODELS	DESCRIPTION	PART NUMBER	QTY	REV. REF. CODE	
					FROM	UP TO
FIG.	74-51 ARMREST & VISOR					
8008-8410	BJ42, FJ40	74310 VISOR ASSY, RH	74310-90303-	1	1	80
8008-8410	BJ42, FJ40	74320 VISOR ASSY, LH	74320-90303-	1	1	80
8110-8410	BJ42, FJ40	74603 GRIP SUB-ASSY, ASSIST, FRONT	74603-95300-08	1	7	80
8110-8410	BJ42, FJ40	74613 PLUG, ASSIST GRIP	74617-22010-08	2	7	80
8110-8410	BJ42, FJ40	74671 SUPPORT, ASSIST GRIP	74671-22010-08	2	7	80
8311-8410	BJ42	74810 FULL ASSY, DOOR, INSIDE	69285-90801-01	2		80
8008-8111	BJ42, FJ40		74810-10010-01 (74810-10010-11)	2	1	
8111-8311	BJ42, FJ40		74630-90800-	2		



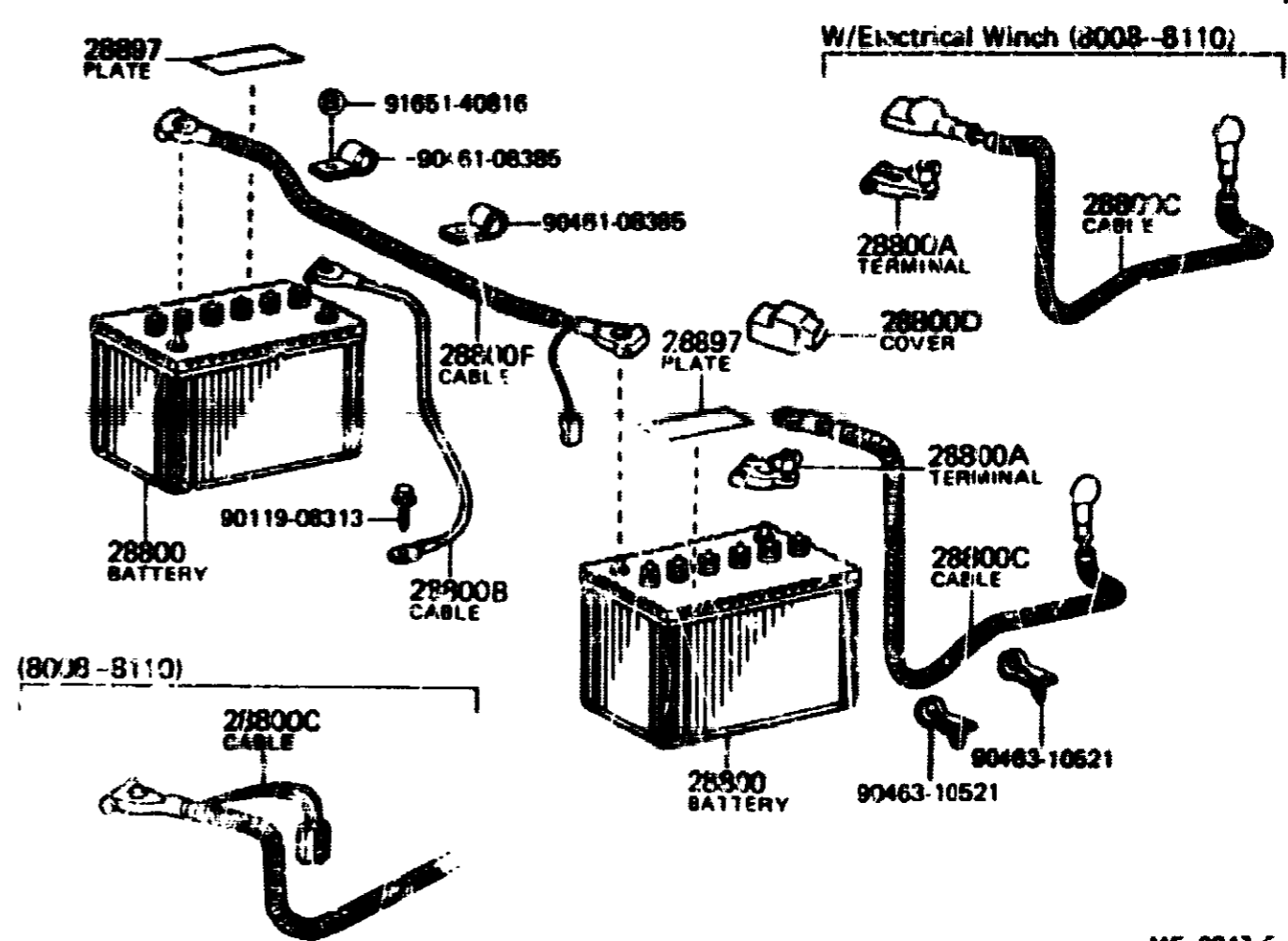
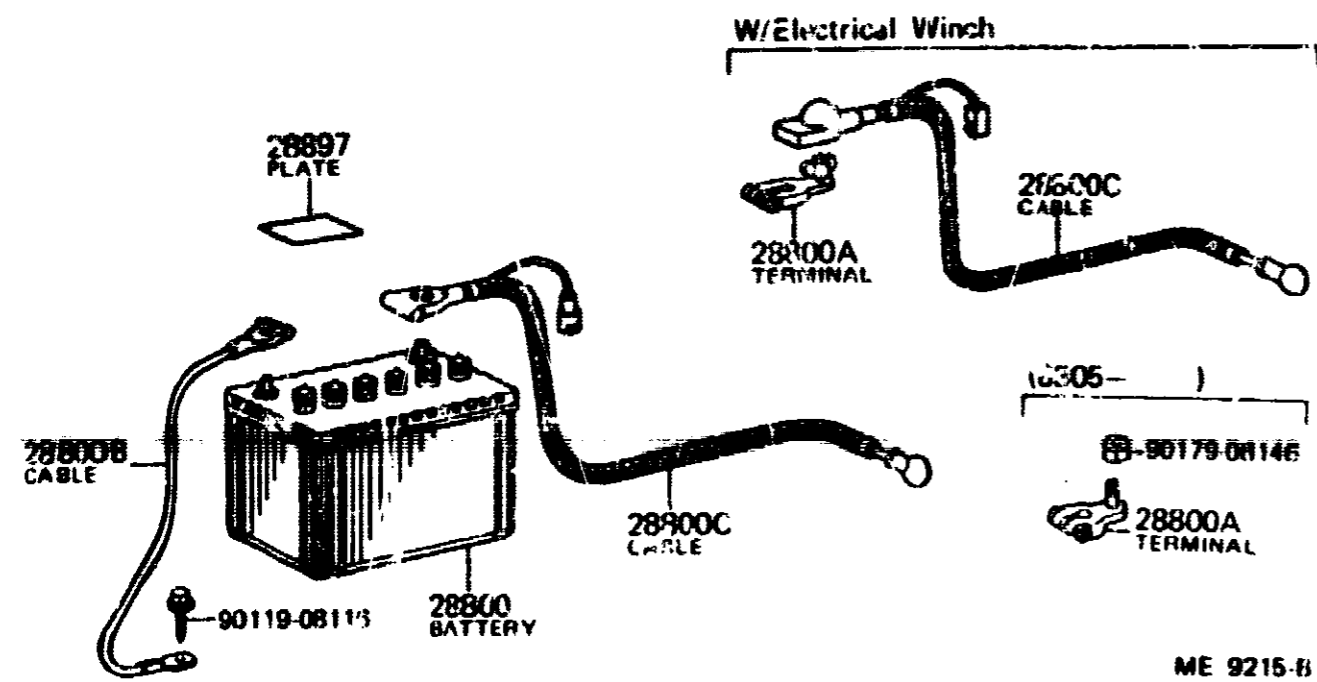
PROD. DATE	MODELS	DESCRIPTION	PART NUMBER	QTY	REV. REF. CODE	
					FROM	UP TO
8210-8410	BJ42	HOSE, FUEL, NO.1 (FOR MAIN TUBE, NO.1) W/POWER STEERING	23906-53010-	1	19	80
8008-8309	FJ40		77260-60070-	1	1	
8008-8210	BJ42	HOSE, FUEL, NO.2 (FOR MAIN TUBE, NO.1) L=400	95332-08040-	1	1	18
8210-8410	BJ42	XH,L=440	95332-08060-	1	19	80
8008-8309	FJ40		77260-60030-	1	1	
8008-8210	FJ40	HOSE, FUEL, NO.3 (FOR MAIN TUBE, NO.1) XH,L=170	95332-08020-	1	1	18
8210-8309	FJ40	L=200		1	19	
8008-8410	BJ42,FJ40	SHIELD, FUEL TANK, INLET, NO.1	77293-60030-	1	1	80
8008-8309	FJ40..USA	TUBE, FUEL EMISSION, NO.1	77245-60040-	1	1	
8008-8309	FJ40..USA	HOSE, FUEL, NO.1 (FOR EMISSION TUBE, NO.1) XH,L=170	95332-06020-	1	1	
8008-8309	FJ40..USA	HOSE, FUEL, NO.2 (FOR EMISSION TUBE, NO.1) XH,L=150	95332-05020-	1	1	
8210-8410	BJ42	TUBE, FUEL EMISSION, NO.2	77244-60051-	1	19	80
8008-8210	BJ42,FJ40..CND		77244-60050-	1	1	18
8210-8309	FJ40		77244-60022-	1	19	
8008-8210	FJ40..USA		77244-60021-	1	1	18
8008-8210	FJ40	TUBE, FUEL RETURN, NO.1	77255-60081-	1	1	18
8008-8309	FJ40	HOSE, FUEL, NO.1 (FOR RETURN TUBE, NO.1)	77250-61040-	1	1	

PROD. DATE	MODELS	DESCRIPTION	PART NUMBER	QTY	REV. REF. CODE	
					FROM	UP TO
8008-8309	FJ40..V..USA	HOSE, FUEL, NO.1 (FOR RETURN TUBE, NO.1) W/COOLER	77250-61050-	1	1	
8008-8309	FJ40	HOSE, FUEL, NO.2 (FOR RETURN TUBE, NO.1)	77260-60030-	1	1	
8008-8210	FJ40	HOSE, FUEL, NO.3 (FOR RETURN TUBE, NO.1) XH,L=170	95332-08020-	1	1	18
8210-8309	FJ40	L=200		1	19	
8008-8410	BJ42,FJ40	COVER SUB-ASSY, FUEL INLET BOX	61802-90302-	1	1	80
8008-8410	BJ42,FJ40	CUSHION (FOR FUEL INLET BOX COVER)	90541-03078-	1	1	80
8008-8410	BJ42-FJ40	RETAINER, FUEL INLET CUSHION	61824-90302-	1	1	80
8008-8410	BJ42,FJ40	SPACER, FUEL TANK BRACKET T=1.0	77519-60010-	1	1	80
8008-8410	BJ42-FJ40	T=4.0	77519-60020-	1	1	80
8008-8210	BJ42,FJ40	PROTECTOR SUB-ASSY, FUEL TANK, NO.1	77606-50020-	1	1	18
8210-8410	BJ42,FJ40		77606-60021-	1	19	80
8008-8410	BJ42,FJ40	BAND, FUEL TANK RH	77601-60041-	1	1	80
8008-8410	BJ42,FJ40	LH	77602-60021-	1	1	80
8008-8410	BJ42,FJ40	BRACKET, FUEL TANK, NO.1	77614-60030-	1	1	80
8008-8410	BJ42,FJ40	BRACKET, FUEL TANK, NO.2	77615-60020-	1	1	80

\*H,L=Cut hose to length as specified in remarks

(8008-8309) FJ40

(8008- ) BJ42

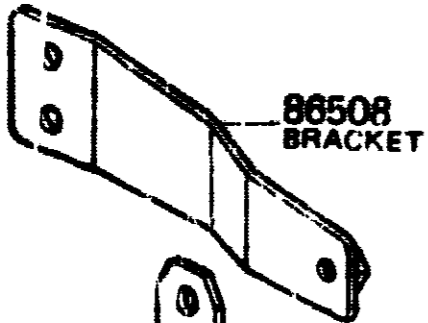


PROD. DATE	MODELS	DESCRIPTION	PART NUMBER	QTY	REV. REF. CODE	
					FROM	UP TO
8008-8410	BJ42, FJ40	SOCKET SUB-ASSY, INSPECTION LAMP, NO. 1	81402-29016-	1	1	80
8008-8410	BJ42	FLASHER ASSY, TURN SIGNAL	81980-25040-	1		80
8008-8309	FJ40		81980-30040-	1		
8008-8410	BJ42, FJ40	FUSE, FUSE BLOCK	98987-07008-	1	1	80
		5A	(99118-62005-)			
8008-8410	BJ42, FJ40	15A	99118-62915-	7	1	80
8008-8410	BJ42, FJ40	20A	99118-62920-	2	1	80
8008-8210	FJ40..USA	10A-COOLER	99118-62910-	1	1	18
8008-8309	FJ40..USA	5A-COOLING FAN	99118-62905-	1	1	
8008-8410	BJ42, FJ40	COVER, FUSE BLOCK	82611-90301-	1		80
8008-8410	BJ42, FJ40	GAGE ASSY, FUEL SENDER	83320-60051-	1	1	80
8008-8410	BJ42, FJ40	GASKET, FUEL SENDER GAGE	83361-20030-	1	1	80
8008-8410	BJ42	SWITCH ASSY, VACUUM WARNING	83390-60010-	1	1	80
8008-8309	FJ40..USA	SWITCH, VACUUM	83391-12050-	1	1	
8008-8410	BJ42, FJ40	GAGE ASSY, WATER TEMPERATURE SENDER	83420-20020-	1	1	80
		YAZAKI				
8008-8301	BJ42	GAGE ASSY, OIL PRESSURE SENDER	83520-55020-	1	1	
8301-8410	BJ42		83520-60020	1		80
8008-8301	FJ40		83520-55011	1	1	

PROD. DATE	MODELS	DESCRIPTION	PART NUMBER	QTY	REV. REF. CODE	
					FROM	UP TO
8008-8309	FJ40	GAGE ASSY, OIL PRESSURE SENDER	83520-14021-	1	1	
		CONTINUED	(83520-14022- )			
8301-8309	FJ40		83520-60010-	1		
8008-8410	BJ42	SWITCH ASSY, MAGNET	38630-60030-	1	1	80
8008-8309	FJ40		38630-60010-	1	1	
8008-8011	BJ42, FJ40	BRACKET SUB-ASSY, HAND BRAKE SIGNAL SWITCH	84956-60020-	1	1	
			(84956-60030- )			
8111-8410	BJ42, FJ40		84956-60030-	1		80
8008-8410	BJ42	SWITCH ASSY, LIGHT CONTROL, NO. 1	84112-60030-	1	1	80
8008-8309	FJ40		84112-60011-	1	1	
8001-8410	BJ42, FJ40	BOLT OR NUT, LIGHT CONTROL SWITCH SET	90984-01005-	1	1	80
8008-8410	BJ42, FJ40	BULB, LIGHT CONTROL SWITCH	90981-11009-	1	1	80
		12V 1.5W				
8008-8410	BJ42, FJ40	KNOB, LIGHT CONTROL SWITCH	84111-20042-	1	1	80
8008-8410	BJ42, FJ40	SWITCH ASSY, BACK UP LAMP	84210-60021-	1	1	80
8210-8301	BJ42, FJ40	SWITCH, TRANSFER INDICATOR, NO. 1	84222-60020-	1	19	40
8301-8410	BJ42, FJ40		84222-60021-	1	41	80
8110-8410	BJ42, FJ40	SWITCH ASSY, COURTESY LAMP (FOR FRONT DOOR)	84230-22051-	2	7	80

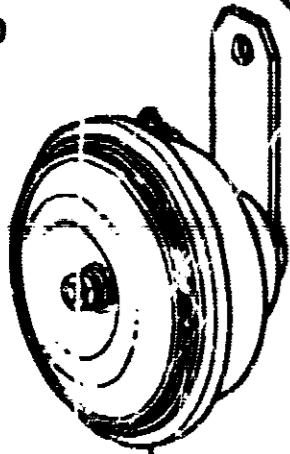
( 8008- )

91656-40820



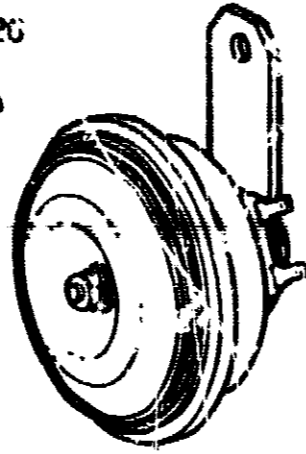
86508  
BRACKET

91656-40620



86510  
HORN

91656-40520



86520  
HORN

ME 9310

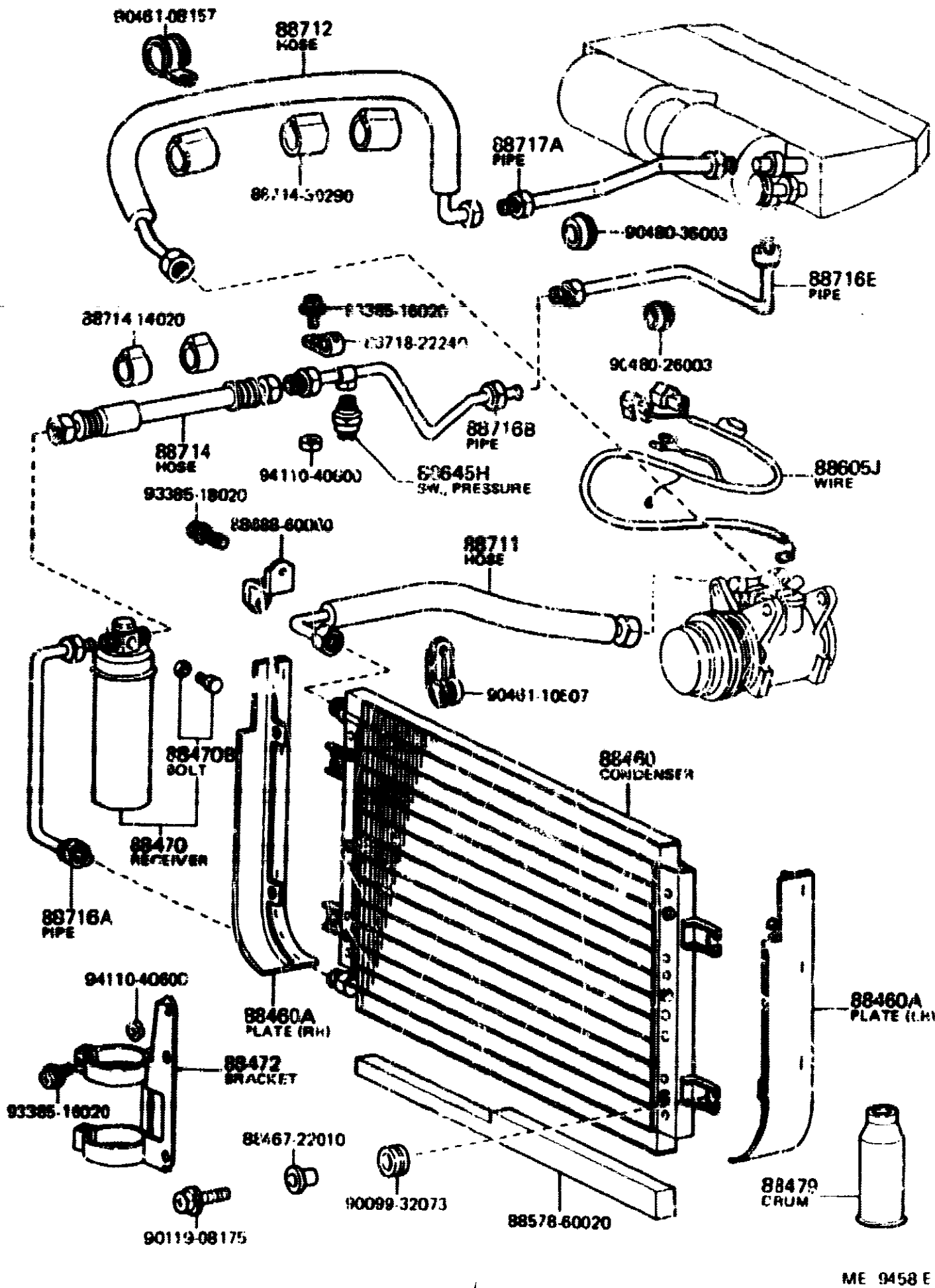
PROJ. DATE	MODELS	DESCRIPTION	PART NUMBER	QTY	REV. REF. COOP.	
					FROM	UP TO
FIG.	86-11 HORN					
	86508	BRACKET SUB-ASSY. HORN				
8008-8410	BJ42		86591-90301-	1	1	80
	86510	HORN ASSY. HIGH PITCHED				
8008-8410	BJ42		86510-60130-	1	1	80
8008-8309	FJ40		86510-60120-	1	1	
	86520	HORN ASSY. LOW PITCHED				
8008-8410	BJ42		86520-60120-	1	1	80
8008-8309	FJ40		86520-60110-	1	1	

FIG. 87-18 HEATING & AIR CONDITIONING -  
COOLER PIPING

3-F10

GENUINE TOYOTA PARTS

(8008-8309) FJ40..V..USA



PRCD. DATE	MODELS	DESCRIPTION	PART NUMBER	QTY	REV. REF. CODE	
					FROM	TO
	FIG.	87-18 HEATING & AIR CONDITIONING - COOLER PIPING				
		1 88460 1 CONDENSER ASSY, COOLER				
8008-8309	FJ40..V..USA		88460-60050-	1		
		1 88460A 1 COVER, COOLER CONDENSER				
8008-8309	FJ40..V..USA	RH	88896-60030-	1		
8008-8309	FJ40..V..USA	LH	88896-60040-	1		
		1 88470 1 RECEIVER AND DRYER ASSY, COOLER				
8008-8309	FJ40..V..USA		88470-20070-	1		
		1 88470B 1 BOLT, FUSE				
8008-8309	FJ40..V..USA		90099-04579-	1		
		1 88472 1 BRACKET, RECEIVER TANK, NO. 1				
8008-8309	FJ40..V..USA		88472-60030-	1		
		1 88479 1 FREON GAS, AIR CONDITIONER (DRUM, COOLER REFRIGERANT)				
8008-8309	FJ40..V..USA		90986-02001-	2		
		1 88605J 1 HARNESS SUB-ASSY, AIR CONDITIONER WIRING				
8210-8309	FJ40		88605-60280-	1		19
		1 88645H 1 SWITCH, PRESSURE				
8008-8309	FJ40..V..USA		88645-22020-	1		
		1 88711 1 HOSE, COOLER REFRIGERANT DISCHARGE, NO. 1				
8008-8011	FJ40..V..USA		88711-60060-	1		
			88711-60090-	1		
8011-8309	FJ40..V..USA		88711-60090-	1		
		1 88712 1 HOSE, COOLER REFRIGERANT SUCTION, NO. 1				
8008-8309	FJ40..V..USA		88712-60080-	1		
		1 88714 1 HOSE, COOLER REFRIGERANT LIQUID, NO. 1				
8008-8309	FJ40..V..USA		88721-60020-	1		

## COVER

F12

## COVER - CYLINDER

PART	NAME	LOCATION
COVER SUB-ASSY, INJECTION PUMP		1-M7
COVER SUB-ASSY, LICENSE PLATE LAMP		3-B7
COVER SUB-ASSY, OIL PUMP		1-B3
COVER SUB-ASSY, REAR AXLE HOUSING		2-F4
COVER SUB-ASSY, REAR SIDE SEAT BACK, LH		3-C5
COVER SUB-ASSY, REAR SIDE SEAT BACK, RH		3-C5
COVER SUB-ASSY, REAR SIDE SEAT CUSHION, LH		3-C5
COVER SUB-ASSY, REAR SIDE SEAT CUSHION, RH		3-C5
COVER SUB-ASSY, SIDE		2-15
COVER SUB-ASSY, TIMING GEAR (OR CHAIN)		1-M1
COVER SUB-ASSY, WINCH GEAR CASE		2-K3
COVER, ALTERNATOR FELT, INNER NO.1		1-C6
COVER, ALTERNATOR FELT, INNER NO.2		1-C6
COVER, AUTO CLOCK HOLE		3-E2
COVER, BACK DOOR SERVICE HOLE, NO.1		3-H4
COVER, BEARING (FOR END FRAME)		1-G6
COVER, CLUTCH HOUSING, NO.1		2-K1
COVER, COMBINATION GAGE		3-A8
COVER, COMBINATION METER, NO.1		3-A8
COVER, COMMUTATOR (FOR WINCH MOTOR)		2-A4
COVER, CONNECTOR (FOR BATTERY TERMINAL)		3-G7
COVER, CONNECTOR (FOR WINCH MOTOR)		2-A4
COVER, CONSOLE BOX HOLE		3-A3
COVER, CONTROL RACK		1-H7
COVER, COOLER CONDENSER		3-F10
COVER, DISC BRAKE DUST, FRONT LH		2-F7
COVER, DISC BRAKE DUST, FRONT RH		2-F7
COVER, DUST		2-J5
COVER, DUST PROOF DISTRIBUTOR		1-L5
COVER, END FRAME		1-G6
COVER, ENGINE UNDER FRONT, NO.1		3-C5
COVER, ENGINE UNDER REAR, LH		3-C1
COVER, ENGINE UNDER REAR, RH		3-C1
COVER, FENDER APRON STEERING GEAR BOX		3-L1
COVER, FLYWHEEL HOUSING FRONT		1-A2
COVER, FLYWHEEL HOUSING UNDER		1-A2
COVER, FRAME BRUSH		1-C6
COVER, FRONT DRIVE DUST		3-J2
COVER, FRONT SEAT BACK, LH (FOR SEPARATE TYPE)		3-C5
COVER, FRONT SEAT BACK, RH (FOR SEPARATE TYPE)		3-C5
COVER, FRONT SEAT CUSHION, LH (FOR SEPARATE TYPE)		3-C5
COVER, FRONT SEAT CUSHION, RH (FOR SEPARATE TYPE)		3-C5
COVER, FUEL FILTER		1-G8
COVER, FUSE BLOCK		3-F8
COVER, GEAR HOUSING END		2-K5
COVER, GLOW PLUG RELAY		3-E9
COVER, GOVERNOR		1-M7
COVER, IGNITION COIL		1-J5
COVER, INNER REAR VIEW MIRROR STAY HOLDER		3-G9
COVER, INSTRUMENT PANEL HOLE		3-D2
COVER, JUNCTION BLOCK		2-K7
COVER, LICENSE PLATE LAMP		3-B7
COVER, MAGNET SWITCH (FOR WINCH MOTOR)		2-A4
COVER, OIL PUMP		1-B3
COVER, PARKING BRAKE LEVER		2-J6
COVER, PNEUMATIC BELLOWS		1-M7
COVER, RADIO TUNER OPENING		3-D2
COVER, REAR BODY SIDE SERVICE HOLE		3-D7
COVER, REAR END		1-B6
COVER, RECLINING HINGE OUTER, LH		3-D4
COVER, RECLINING HINGE OUTER, RH		3-D5
COVER, RECLINING PEDAL		3-D5
COVER, ROOM SIDE LAMP HOLE		3-C3
COVER, SECTOR SHAFT END		2-K5

PART	NAME	LOCATION
COVER, SHOCK ABSORBER		3-L1
COVER, SLIDING SHAFT DUST		2-G3
COVER, STARTER BEARING (FOR DRIVE HOUSING)		1-G6
COVER, STEERING COLUMN HOLE		2-K5
COVER, SWITCH BASE HOLE		3-A3
COVER, TRANSFER CASE, NO.2		2-M2
COVER, TRANSFER POWER TAKE-OFF		2-M2
COVER, TRANSMISSION		3-J2
COVER, TRANSMISSION CASE		2-F2
COVER, TRANSMISSION UNDER		3-C1
COVER, VALVE PUSH ROD		1-J1
COVER, WATER PROOF (FOR DISTRIBUTOR)		1-L5
COVER, WINCH		2-K3
COVER, WINCH CONTROL SWITCH		2-B4
COVER, WINCH DRUM HOUSING		2-K3
COVER, WINDSHIELD WIPER ARM		3-K8
COVER, WINDSHIELD WIPER MOTOR		3-K8
CRANK, PARKING BRAKE BELL, NO.1		2-H7
CRANK, PARKING BRAKE BELL, NO.2		2-H7
CRANKSHAFT		1-H2
CRANKSHAFT, COOLER COMPRESSOR		3-I10
CROSSMEMBER SUB-ASSY, FRAME, NO.1		3-A1
CROSSMEMBER SUB-ASSY, FRAME, NO.2		3-A1
CROSSMEMBER SUB-ASSY, FRAME, NO.3		3-A1
CROSSMEMBER SUB-ASSY, REAR SHOCK ABSORBER SUPPORT		3-B1
CUP KIT, REAR WHEEL CYLINDER		2-H7
CUP, SHOE HOLD DOWN SPRING (FOR REAR BRAKE)		2-G7
CUSHION (FOR ACCELERATOR ADJUST STOPPER CHANNEL)		3-76
CUSHION (FOR ACCELERATOR TORQUE ROD BRACKET)		3-76
CUSHION (FOR CLUTCH PEDAL)		2-D1
CUSHION (FOR COWL SIDE VENTILATOR COVER)		3-F2
CUSHION (FOR FUEL INLET BOX COVER)		3-F6
CUSHION (FOR RADIATOR BRACE ROD)		3-A2
CUSHION (FOR STEP)		3-J2
CUSHION (FOR STOP LAMP SWITCH)		2-L6
CUSHION ASSY, FRONT SEAT, LH (FOR SEPARATE TYPE)		3-C5
CUSHION ASSY, FRONT SEAT, RH (FOR SEPARATE TYPE)		3-C5
CUSHION, BODY MOUNT NO.5, LOWER		3-G1
CUSHION, BODY MOUNT NO.5, UPPER		3-G1
CUSHION, BODY MOUNT, NO.1 LOWER		3-F1
CUSHION, BODY MOUNT, NO.1 UPPER		3-F1
CUSHION, BODY MOUNT, NO.2 LOWER		3-F1
CUSHION, BODY MOUNT, NO.2 UPPER		3-F1
CUSHION, EXHAUST PIPE CENTER (FOR REAR)		1-14
CUSHION, FUEL TANK, NO.1		3-G6
CUSHION, HOOD HINGE SHEET		3-M1
CUSHION, REAR DROP GATE, LOWER		3-H4
CUSHION, REAR DROP GATE, SIDE		3-H4
CUSHION, ROOF DRIP MOULDING, FRONT		3-G3
CUSHION, SPARE WHEEL CARRIER HINGE		3-D1
CUSHION, SPARE WHEEL CARRIER, HOOK		3-D1
CUSHION, WINDSHIELD REST BLOCK		3-K1
CYLINDER AND KEY SET, BACK DOOR LOCK		3-M4
CYLINDER AND KEY SET, DOOR LOCK, LH		3-M4
CYLINDER AND KEY SET, DOOR LOCK, RH		3-M4
CYLINDER AND KEY SET, FUEL INLET LOCK		3-M4
CYLINDER AND KEY SET, IGNITION SWITCH LOCK		3-M4
CYLINDER ASSY, CLUTCH RELEASE		2-G1
CYLINDER ASSY, DISC BRAKE, LH NO.1		2-F7
CYLINDER ASSY, DISC BRAKE, RH NO.1		2-E7
CYLINDER ASSY, MASTER (FOR CLUTCH MASTER)		2-E1
CYLINDER ASSY, REAR WHEEL BRAKE (FOR LH FRONT OR UPPER)		2-H7
CYLINDER ASSY, REAR WHEEL BRAKE (FOR RH FRONT OR UPPER)		2-H7
CYLINDER KIT, BRAKE MASTER		2-M6

## STAY - TAPPET

F13

## TERMINAL - VALVE


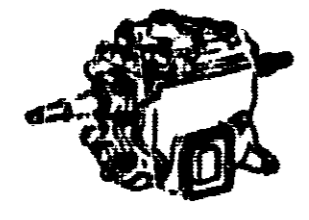
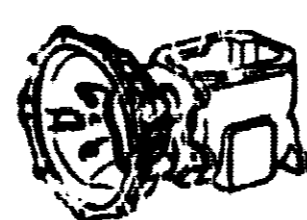




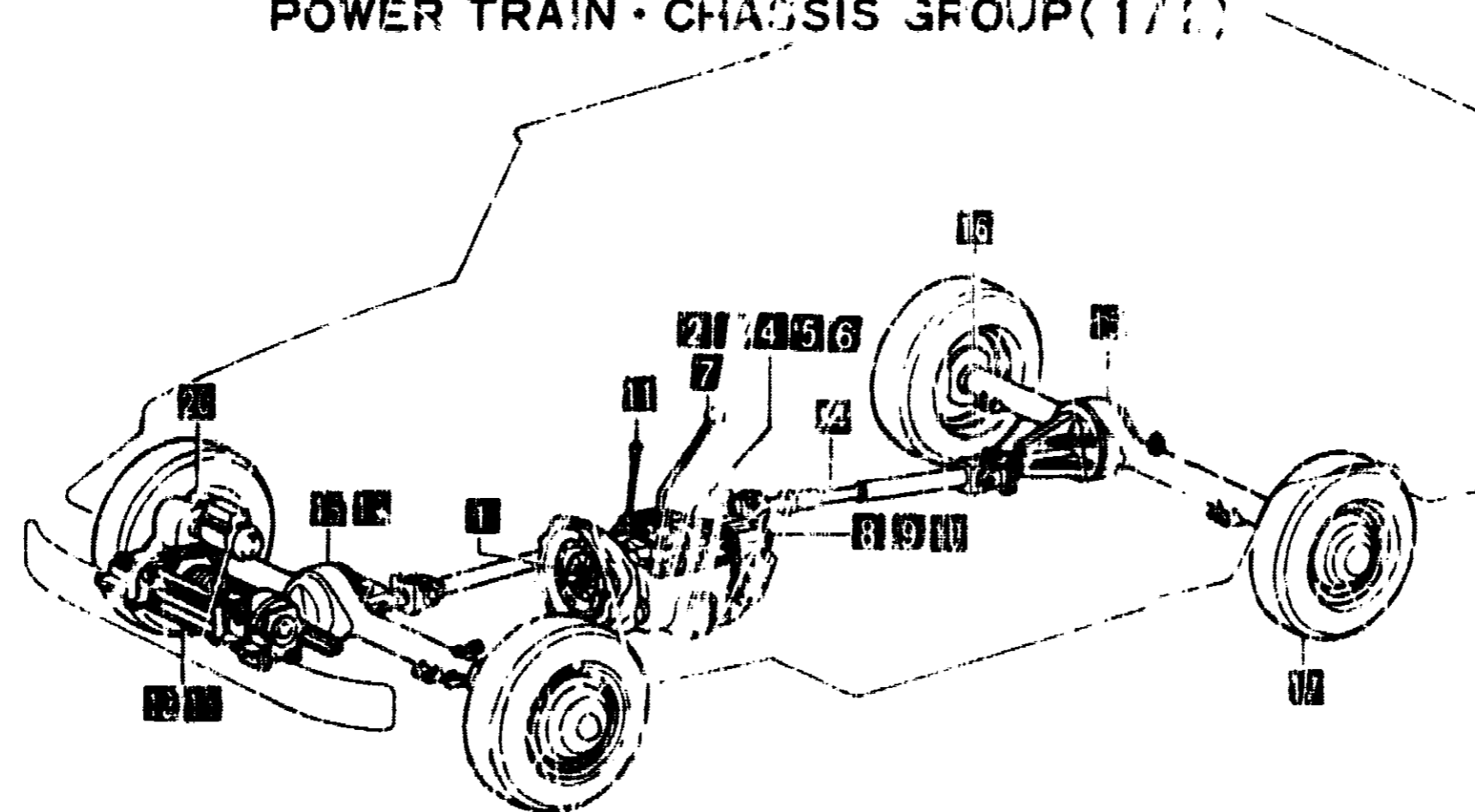


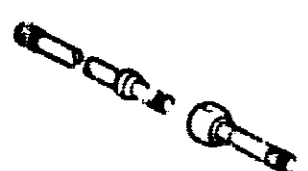

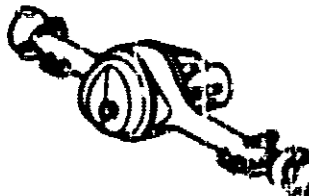



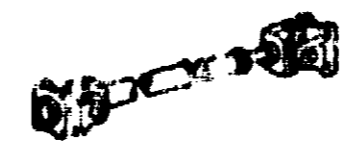


PART	NAME	LOCATION
STAY, EGR PIPE, NO.1		1-148
STAY, INJECTION PUMP		1-67
STAY, INJECTION PUMP BODY		1-17
STAY, STEP		3-J2
STEP SUB-ASSY, LH		3-J2
STEP SUB-ASSY, RH		3-J2
STEP, REAR		3-I1
STOP SUB-ASSY, BACK DOOR DOWN		3-K4
STOPPER (FOR WINCH MOTOR)		2-A4
STOPPER, BUMPER, REAR		2-H8
STOPPER, CAM GREASE		1-L5
STOPPER, CENTER BODY MOUNTING BOLT		3-G1
STOPPER, DOOR VENTILATING WINDOW OPENING		3-A4
STOPPER, FRONT DOOR OPEN		3-E4
STOPPER, TRANSFER INPUT GEAR		2-B3
STOPPER, VINYL TOP PIPE		3-K3
STRAINER SUB-ASSY, OIL		1-B3
STRAINER, MASTER CYLINDER RESERVOIR, REAR		2-A7
STRAP ASSY, SAFETY		3-C3
STRIKER ASSY, BACK DOOR, LOWER		3-J4
STRIKER ASSY, BACK DOOR, UPPER		3-J4
STRUT, ADJUSTING		2-E6
SUPPORT ASSY, RADIATOR		3-A2
SUPPORT, ASSIST GRIP		3-F3
SUPPORT, BATTERY CARRIER		3-H5
SUPPORT, CLUTCH SHIFT LEVER		2-M3
SUPPORT, FRONT SEAT HEADREST		3-C5
SUPPORT, FUEL FILTER		1-F8
SUPPORT, OIL LEVEL GAGE GUIDE		1-K1
SUPPORT, REAR VIEW OUTSIDE MIRROR, LH		3-G9
SUPPORT, REAR VIEW OUTSIDE MIRROR, RH		3-G9
SUPPORT, REAR VINYL TOP		3-K3
SUPPORT, RELEASE CYLINDER		2-G1
SUPPORT, VALVE ROCKER, NO.1		1-L2
SUPPORT, VALVE ROCKER, NO.2		1-M2
SUPPORT, VALVE ROCKER, NO.3		1-M2
SWITCH ASSY, BACK UP LAMP		3-F8
SWITCH ASSY, BRAKE WARNING TEST		3-G8
SWITCH ASSY, COURTESY LAMP (FOR FRONT DOOR)		3-F8
SWITCH ASSY, HAZARD WARNING SIGNAL		3-G8
SWITCH ASSY, HEATER BLOWER		3-G8
SWITCH ASSY, IGNITION		3-G8
SWITCH ASSY, LIGHT CONTROL, NO.1		3-F8
SWITCH ASSY, MAGNET		3-F8
SWITCH ASSY, MAGNET STARTER		1-G6
SWITCH ASSY, OIL PRESSURE		3-I8
SWITCH ASSY, STARTER		3-G8
SWITCH ASSY, STOP LAMP		3-G8
SWITCH ASSY, TURN SIGNAL		3-G8
SWITCH ASSY, VACUUM WARNING		3-F8
SWITCH ASSY, WINCH CONTROL		2-B4
SWITCH ASSY, WINDSHIELD WIPER		3-G8
SWITCH SUB-ASSY, COOLER CONTROL		3-L9
SWITCH, GLOW PLUG		3-G3
SWITCH, LEVEL WARNING		3-G8
SWITCH, MAGNET, NO.2 (FOR WINCH MOTOR)		2-A4
SWITCH, PRESSURE		3-F10
SWITCH, REAR HEATER BLOWER		3-G8
SWITCH, TRANSFER INDICATOR, NO.1		3-F8
SWITCH, VACUUM		3-F8
TANK ASSY, FUEL		3-E6
TANK ASSY, RADIATOR RESERVE		1-A4
TAPPET SUB-ASSY, INJECTION PUMP		1-H7
TAPPET, FEED PUMP		1-B7

PART	NAME	LOCATION
TERMINAL SUB-ASSY, LEAD WIRE, ALTERNATOR		1-B6
TERMINAL, BATTERY POSITIVE		3-G7
THERMISTOR, COOLER, NO.1		3-M9
THERMOSTAT		1-M3
TIMER ASSY, AUTOMATIC		1-C8
TIMER, PREHEATING		3-E8
TIRE TUBE SET OR TUBELESS TIRE		2-L4
TOOL SET, STANDARD W/O JACK		1-A1
TRACK ASSY, LH SEAT, INNER		3-D3
TRACK ASSY, LH SEAT, OUTER (FOR SEPARATE SEAT)		3-D3
TRACK ASSY, RH SEAT, INNER		3-D3
TRACK ASSY, RH SEAT, OUTER (FOR SEPARATE SEAT)		3-C5
TRANSFER ASSY		2-K2
TRANSMISSION ASSY, MANUAL		1-I1
TUBE (FOR RADIATOR BRACE ROD)		3-A2
TUBE SUB-ASSY, FUEL MAIN		3-E6
TUBE SUB-ASSY, FUEL TANK SUCTION		3-E6
TUBE SUB-ASSY, STEERING COLUMN		2-J5
TUBE, AIR		1-C5
TUBE, CLUTCH MASTER CYLINDER TO FLEXIBLE HOSE		2-D1
TUBE, FRONT BRAKE, NO.1		2-L7
TUBE, FRONT BRAKE, NO.2		2-L7
TUBE, FRONT BRAKE, NO.3		2-L7
TUBE, FRONT BRAKE, NO.4		2-L7
TUBE, FRONT BRAKE, NO.5		2-L7
TUBE, FUEL EMISSION, NO.1		3-F6
TUBE, FUEL EMISSION, NO.2		3-F6
TUBE, FUEL MAIN, NO.1		3-E6
TUBE, FUEL RETURN, NO.1		3-F6
TUBE, FUEL VAPOR FEED		3-G6
TUBE, FUEL, NO.1 (FOR CHARCOAL CANISTER)		3-G6
TUBE, FUEL, NO.3 (FOR CHARCOAL CANISTER)		3-G6
TUBE, PRESSURE FEED		2-DA
TUBE, REAR BRAKE, NO.1		2-L7
TUBE, REAR BRAKE, NO.2		2-L7
TUBE, REAR BRAKE, NO.3		2-L7
TUBE, REAR BRAKE, NO.6		2-L7
TUBE, REAR BRAKE, NO.7		2-L7
TUBE, RESERVOIR		2-A7
TUBE, RETURN (FOR STEERING GEAR OUTLET)		2-E6
TUBE, VACUUM RESERVOIR TO BRAKE BOOSTER		2-D7
TUBE, WHEEL CYLINDER, FRONT LH NO.1		2-M7
TUBE, WHEEL CYLINDER, FRONT RH NO.1		2-M7
TUBE, WINDSHIELD CATCH HANDLE		3-E2
TUBE, CONNECTOR TO VACUUM RESERVOIR		2-D7
UNION (FOR CYLINDER HEAD)		1-G1
UNION (FOR IDLE UP DEVICE)		3-E10
UNION (FOR INJECTION PUMP OUTLET PIPE)		1-C3
UNION (FOR OIL PIPE, NO.1)		1-I2
UNION (FOR OIL PUMP OUTLET PIPE)		1-B3
UNION (FOR REAR AXLE BREATHER HOUSE)		2-F4
UNION (FOR VACUUM PUMP)		2-D7
UNION (FOR VENTILATION HOSE TO MANIFOLD)		1-E4
UNION, AIR INJECTION		1-C5
UNION, NIPPLE		1-C7
UNION, NIPPLE (FOR FUEL FILTER INLET)		1-F8
UNION, PRESSURE PORT		2-A6
UNION, RESERVOIR, NO.1 (FOR BRAKE MASTER CYLINDER SIDE)		2-M6
UNION, VACUUM HOSE (FOR MANIFOLD SIDE)		2-D7
UNIT ASSY, COOLER		3-L9
UNIT SUB-ASSY, RADIATOR HEATER		3-K9
UNIT SUB-ASSY, REAR HEATER		3-K9
VALVE (FOR TUBELESS TIRE)		2-L4
VALVE ASSY, AIR SWITCHING		1-C5

PART NUMBER	LOCATION	PART NUMBER	LOCATION	PART NUMBER	LOCATION	PART NUMBER	LOCATION	PART NUMBER	LOCATION	PART NUMBER	LOCATION
45721-60010-	2-L6	47354-60020-	2-M7	48211-60122-	2-G8	51495-60100-	3-C1	53167-60030-	3-A2	55101-90874-	3-B2
45807-60050-	2-LS	47355-60040-	2-M7	-60202-	2-G8	51701-60020-	3-B1	-90301-	3-A2	-90875-	3-B2
45870-60040-	2-J5	47361-60071-	2-M7	48212-60122-	2-G8	-90300-	3-J2	53168-90301-	3-A2	-90886-	3-B2
45897 12030-	2-LS	47378-60010-	2-M7	-60202-	2-G8	51707-90304-	3-J2	53169-60020-	3-A2	55106-90801-	2-L6
46210-60021-	2-J6	-60030-	2-M7	48213-60122-	2-G8	51708-90304-	3-J2	53180-90300-	3-A2	55142-90300-	3-B2
46217-11020-	2-J6	47447-60010-	2-M7	-60202-	2-G8	51741-60011-	3-B1	53201-60011-	3-A2	55203-90800-	3-L2
46243-60010-	2-J6	47449-30020-	2-M7	48215-60123-	2-G8	51751-60020-	3-B1	-60012-	3-A2	-90801-	3-L2
46341-31110-	2-J6	47491-20011-	2-M7	-60202-	2-G8	51752-60020-	3-B1	-60021-	3-A2	55298-30010-	3-G5
46410-60110-	2-J6	47509-60010-	2-M7	48216-60122-	2-C3	51903-90300-	3-D1	-60042-	3-B2	55301-90810-	3-D2
-60131-	2-J6	47547-12010-	2-M7	-60202-	2-G8	-90303-	3-D1	53301-90311-	3-K1	-90817-	3-D2
46443-12020-	2-J6	-12030-	1-F8	48247-36020-	2-D8	51917-90301-	3-D1	-90801-	3-K1	-90819-	3-D2
46451-60011-	2-J6	-20030-	2-E7	-60121-	2-G8	51926-90301-	3-D1	-91308-	3-K1	-90850-	3-D2
-60012-	2-J6	-60020-	2-M7	48284-60062-	2-D8	51928-90300-	3-D1	-90810-	3-K1	-90863-	3-D2
46458-30020-	2-K6	47550-69105-	2-M7	48304-60010-	2-D8	51929-90300-	3-D1	53303-90801-	3-K1	-90866-	3-D2
46467-60020-	2-K6	47611-60010-	2-M7	-60020-	2-D8	51930-90300-	3-D1	-90802-	3-K1	-90868-	3-D2
47043-60050-	2-G7	47617-60010-	2-M7			51935-90800-	3-D1	-90805-	3-K1	55321-90300-	3-D2
47044-60010-	2-G7	47616-60010-	2-M7	48306-60040-	2-E8	51937-90302-	3-D1	-90806-	3-K1	55381-60010-	3-D2
47061-60010-	2-H7	47624-60010-	2-M7	48403-60022-	2-E8	51938-90300-	3-E1	-90807-	3-K1	55402-90300-	3-D2
-60011-	2-G7	47625-60010-	2-M7	48411-60032-	2-E8	51941-90300-	3-D1	53304-90801-	3-K1	55403-90800-	3-D2
47082-60010-	2-H7	47626-60010-	2-M7	48414-60021-	2-H8	51954-90300-	3-D1	-90802-	3-K1	55404-90300-	3-D2
-60011-	2-H7	47628-35010-	2-M7	48415-60021-	2-H8	51955-90800-	3-D1	-90803-	3-K1	55405-90300-	3-D2
47101-60061-	2-L6	47633-35010-	2-M7	48475-60020-	2-E8	51961-60010-	3-C1	-90806-	3-K1	-90807-	3-D2
47132-30110-	2-L7	47643-60010-	2-M7			51973-90300-	3-E1	-90807-	3-K1	-90808-	3-D2
47190-12030-	2-L7	47644-60010-	2-M7	48511-69036-	2-E8	51980-69015-	2-C1	-90808-	3-K1	55406-90300-	3-D2
-14020-	2-L7	47655-50010-	2-M7	48512-60010-	2-E8	51985-60011-	3-C1	53316-90800-	3-K1	55407-90300-	3-D2
47201-60130-	2-M6			48513-60010-	2-E8	52111-60030-	3-H1	-90801-	3-L1	55429-90800-	3-D2
47207-60040-	2-M5	47703-60020-	2-F7	48521-36040-	2-E8	52116-60010-	3-H1	53334-90303-	3-K1	55434-30020-	3-D2
47231-20010-	2-E7	47704-60020-	2-F7	48531-69047-	2-H8	52131-60010-	3-H1	53337-90301-	3-K1	55444-60010-	3-D2
-30010-	2-A7	47730-60021-	2-E7	48532-60010-	2-H8	52141-60011-	3-H1	53349-90300-	3-L1	55441-60010-	3-D2
47231-30010-	2-A7	47731-30020-	2-E7	51001-60274-	3-A1	52142-60011-	3-H1	53359-90301-	3-L1	55451-90800-	3-D2
47236-14010-	2-A7	47732-30010-	2-E7	-60275-	3-A1	52152-60011-	3-H1	53393-90800-	3-L1	55461-90351-	3-D2
47266-22010-	2-A7	47748-60010-	2-E7	-60770-	3-A1	52153-60011-	3-H1	53394-90800-	3-L1	55477-90800-	3-D2
47266-20050-	2-A7	47750-60021-	2-F7	-60771-	3-A1	52201-90300-	3-F1	53403-90300-	3-M1	55501-90800-	3-E2
-20060-	2-M6	47786-50020-	2-F7	51201-60014-	3-A1	-90301-	3-F1	53410-90301-	3-M1	-90802-	3-E2
47275-22010-	2-A7	47787-60020-	2-F7	-60071-	3-A1	52202-90300-	3-F1	53412-90300-	3-M1	55508-30020-	3-E2
47280-30030-	2-A7	48035-60010-	2-H8	-60072-	3-A1			53504-90300-	3-L1	55522-90800-	3-D2
47290-14010-	2-A7	48046-60032-	2-G8	51202-60042-	3-A1	-2203-90300-	3-F1	53505-90303-	3-H1	55524-90300-	3-A3
-30010-	2-A7	48047-60032-	2-G8	-60043-	3-A1	52204-90300-	3-F1	53506-90300-	3-M1	55533-90801-	3-E2
47311-30020-	2-L7	48048-60010-	2-E8	51203-60015-	3-B1	52204-90300-	3-F1	53510-90801-	3-M1	55549-90300-	3-E2
47312-60350-	2-L7	48049-60030-	2-E8	-60064-	3-B1	52208-90300-	3-F1	53601-20050-01	3-M1	55560-12020-	3-D2
-60410-	2-L7	48102-60062-	2-D8	51209-60031-	3-A1	52228-22010-	3-F1	53630-90801-	3-M1	55561-90800-	3-E2
47315-60280-	2-L7	-60180-	2-D8	51281-60023-	3-A1			53715-90300-	3-L1	55701-90074-	3-D2
-60290-	2-L7	48103-60180-	2-D8	51282-60013-	3-A1	52231-90300-	3-F1	53721-90300-	3-G6	55702-60090-	3-D2
47316-60110-	2-L7	48110-60062-	2-D8	51308-60012-	3-A1	52232-90300-	3-J2	53751-90300-	3-L1	-90802-	3-D2
-60170-	2-L7	48111-60062-	2-D8	51309-50012-	3-A1	52292-90300-	3-G1	53752-90300-	3-L1	-90805-	3-D2
47321-60100-	2-L7	-60180-	2-D8	51403-60010-	3-B1	52293-90300-	3-G1	53761-90300-	3-L1	-90806-	3-D2
47321-60250-	2-L7	48112-60062-	2-D8	-60011-	3-B1	52321-55010-	3-H5	53762-90300-	3-L1	55706-90305-	3-C3
-60310-	2-L7	-60180-	2-D8	51401-66010-	3-M5	53011-90304-	3-C1	53810-90341-	3-L1	-90310-	3-C3
47323-60050-	2-L7	48113-60062-	2-D8	51421-60012-	3-A1	-90305-	3-J1	-90344-	3-L1	55707-90311-	3-C3
-60090-	2-L7	48114-60180-	2-D8	-60030-	3-A1	53016-60011-	3-A2	-90348-	3-L1	-90319-	3-C3
-60091-	2-L7	48115-60063-	2-D8	51422-60010-	3-B1	-60050-	3-A2	-90804-	3-L1	-90812-	3-C3
47325-60020-	2-L7	48116-60063-	2-D8	-60030-	3-A1	53018-60017-	3-A2	53820-90080-	3-L1	55708-60011-	3-F2
-60040-	2-L7	-60180-	2-D8	51432-60020-	3-B1	-60030-	3-A2	-90083-	3-L1	55709-60011-	3-F2
47326-60020-	2-L7	48117-60062-	2-D8	-60071-	3-B1	53106-90304-	3-J1	-90082-	3-L1	55786-90301-	3-F2
-60040-	2-L7	-60180-	2-D8	51434-60030-	3-B1	-90805-	3-J1	-90282-	3-L1	55905-12070-	3-K9
47329-60051-	2-L7	48141-60062-	2-D8	-60031-	3-B1	-90807-	3-J1	-90286-	3-L1	55956-90300-	3-G2
-60070-	2-L7			51441-60013-	3-C1	53107-90300-	3-J1	-90288-	3-L1	55957-90300-	3-G2
47341-60030-	2-M7	-60081-	2-D8	-60040-	3-C1	53111-90302-	3-J1	-90289-	3-L1	56111-90301-	3-G2
-60031-	2-M7	48142-60081-	2-D8	51453-60012-	3-C1	53148-90306-	3-J1	55031-90818-	3-D2	-90303-	3-G2
47343-60020-	2-M7	48147-60061-	2-D8	-60021-	3-C1	53149-90810-	3-J1	55101-90807-	3-C2	56121-90301-	3-G2
-60021-	2-M7	48202-60122-	2-G8	51454-60013-	3-C1	53154-60010-	3-J1	-90822-	3-B2	56211-90300-	3-G2
47351-60080-	2-M7	-60202-	2-G8	-60031-	3-C1	-91800-	3-J1	-90838-	3-B2	-90801-	3-G2
-60091-	2-M7	48210-60121-	2-G8	51464-90800-	3-J1	53162-90300-	3-A2	-90844-	3-B2	-90802-	3-G2
47354-60010-	2-M7	-60201-	2-G8	51495-60032-	3-C1	53166-90301-	3-A2	-90864-	3-B2	56301-90325-	3-G2



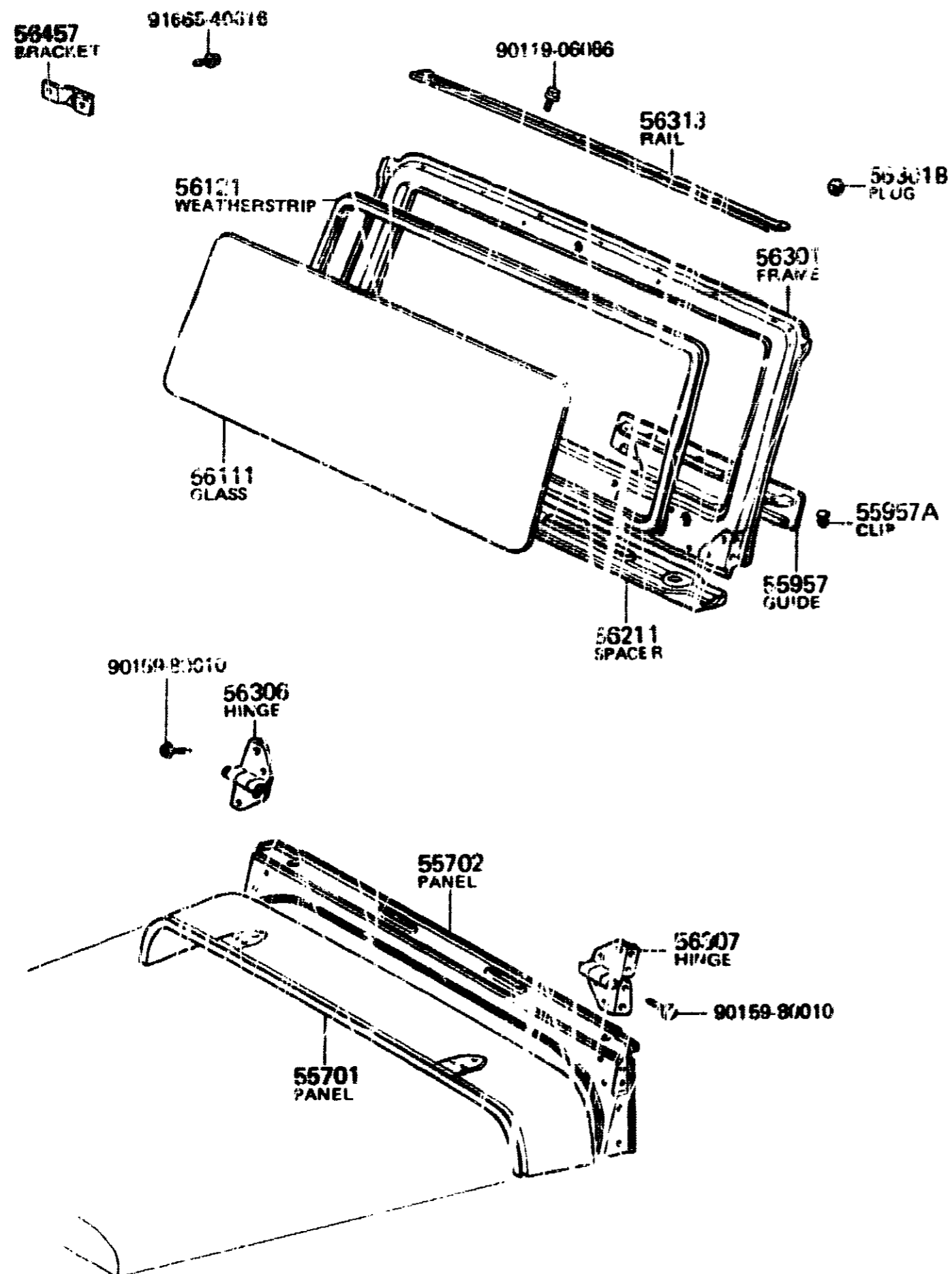
ILLUSTRATED INDEX

<p>2-A1 (31-01) 1</p>  <p>Clutch &amp; Release Fork</p>	<p>2-H1 (33-01) 2</p>  <p>Transmission Assy</p>	<p>2-J1 (33-02) 3</p>  <p>Transmission Case</p>	<p>2-L1 (33-04) 4</p>  <p>Speedometer Driven Gear</p>	<p>2-M1 (33-05) 5</p>  <p>Transmission Gear</p>	<p>2-E2 (33-07) 6</p>  <p>Gear Shift Fork</p>	<p>2-I2 (33-12) 7</p>  <p>Shift Lever Pin Retainer</p>
<p><b>POWER TRAIN - CHASSIS GROUP (1/1)</b></p> 						
<p>2-D5 (43-03) 20</p>  <p>Front Axle Hub</p>						<p>2-K2 (36-08) 8</p>  <p>Transfer Assy</p>
<p>2-C5 (43-02) 19</p>  <p>Drive Shaft</p>						<p>2-L2 (36-09) 9</p>  <p>Transfer Case</p>
<p>2-M4 (43-01) 18</p>  <p>Front Axle Housing</p>	<p>2-K4 (41-03) 17</p>  <p>Wheel Assy &amp; Cap</p>	<p>2-H4 (41-02) 16</p>  <p>Rear Axle Shaft</p>	<p>2-C4 (41-01) 15</p>  <p>Rear Axle Housing</p>	<p>2-F3 (37-11) 14</p>  <p>Propeller Shaft</p>	<p>2-I3 (38-02) 13</p>  <p>Winch</p>	<p>2-H3 (38-01) 12</p>  <p>Winch Kit</p>

PROD. DATE	MODELS	DESCRIPTION	R/P	PART NUMBER	QTY	REV. REF. CODE	
						FROM	UP TO
		↑ 52251 ↑ CUSHION, BODY MOUNT NO. 5, UPPER					
8008-8410	BJ42, FJ40			52201-90300-	2	1	80
		↑ 52251B ↑ BOLT (FOR BODY MOUNT NO. 5 CUSHION)					
8008-8410	BJ42, FJ40			90119-10207-	2	1	80
		↑ 52251C ↑ SPACER (FOR BODY MOUNT NO. 5 CUSHION)					
8008-8410	BJ42, FJ40			90560-12009-	2	1	80
		↑ 52254 ↑ CUSHION, BODY MOUNT NO. 5, LOWER					
8008-8410	BJ42, FJ40			52202-90300-	2	1	80
		↑ 52258 ↑ HOLDER, BODY MOUNT BOLT SPACER, NO. 5					
8008-8410	BJ42, FJ40			52228-22010-	2	1	80
		↑ 52292 ↑ STOPPER, CENTER BODY MOUNTING BOLT					
8008-8410	BJ42, FJ40		RH	52292-90300-	1	1	80
8008-8410	BJ42, FJ40		LH	52293-90300-	1	1	80

PROD. DATE	MODELS	DESCRIPTION	R/P	PART NUMBER	QTY	REV. REF. CODE	
						FROM	UP TO

(8008- )

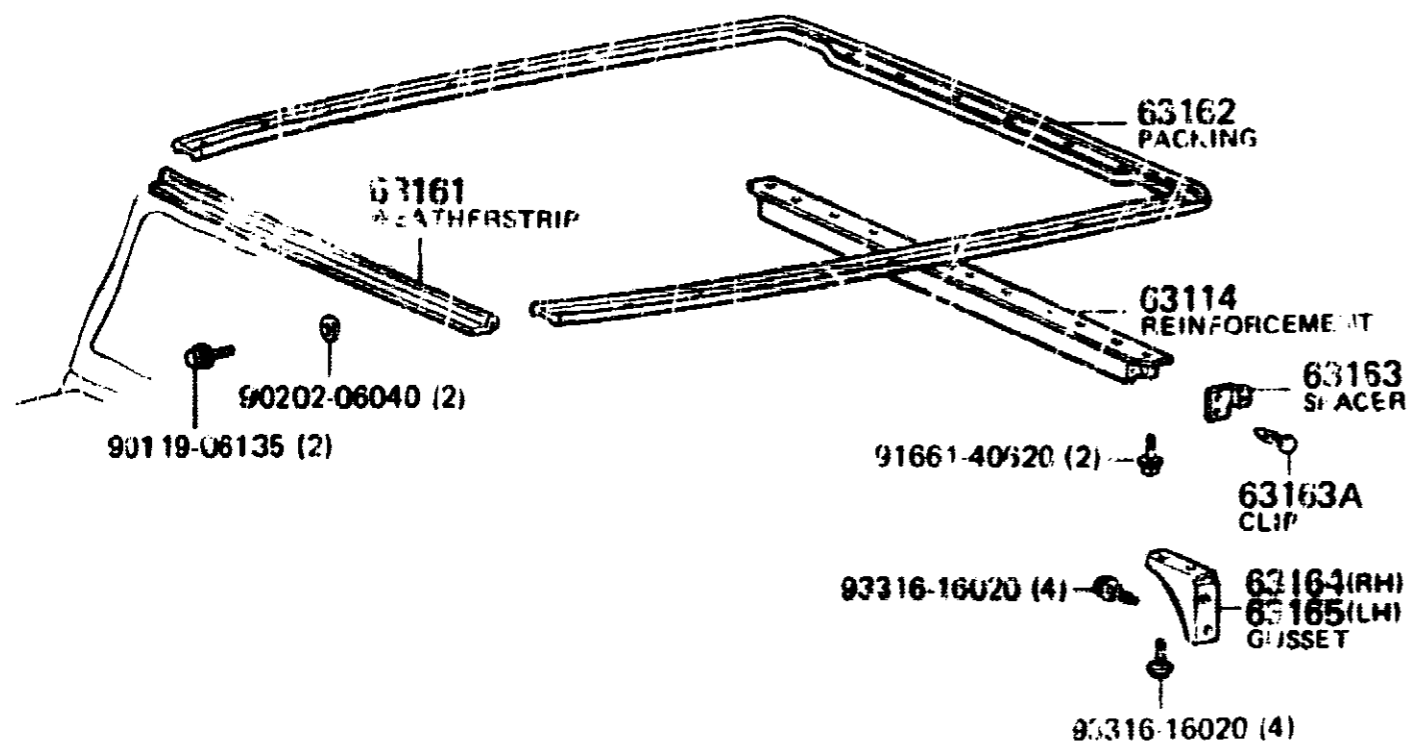
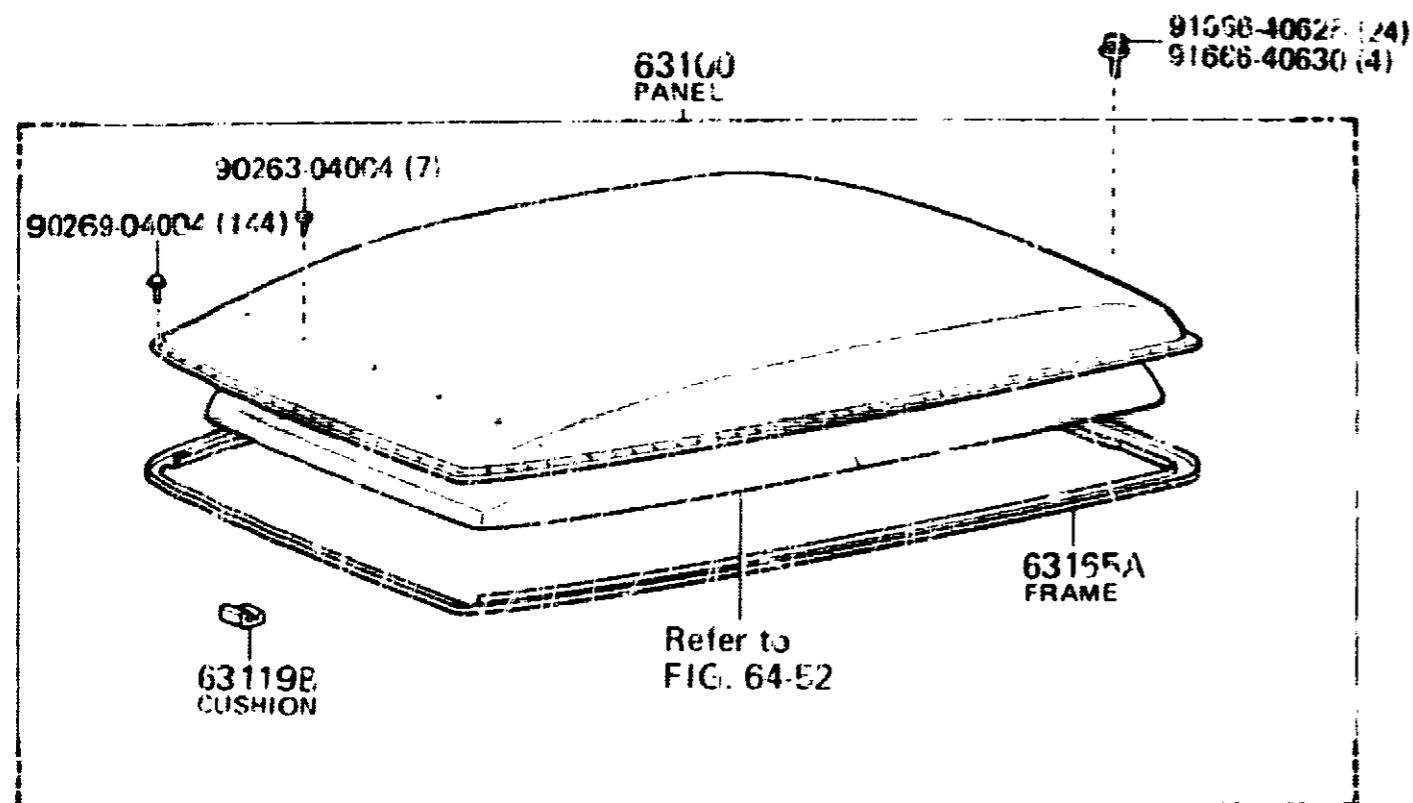


PROD. DATE	MODELS	DESCRIPTION	R/P	PART NUMBER	QTY	REV. REF. CODE	
						FROM	UP TO
FIG.	55-53 COWL PANEL & WINDSHIELD GLASS						
	55701	PANEL SUB-ASSY, COWL					
8008-8410	BJ42, FJ40			55701-90074-	1	1	80
	55702	PANEL SUB-ASSY, COWL TOP, INSIDE					
8008-8210	BJ42, FJ40	W/O ANTENA		55702-60090-	1	1	18
8205-8210	BJ42, FJ40	W/ANTENA		55702-90802-	1		18
8210-8410	BJ42, FJ40	W/O ANTENA		55702-90305-	1	19	80
8210-8410	BJ42, FJ40	W/ANTENA		55702-90806-	1	19	80
	55957	GUIDE, DEFROSTER					
8008-8410	BJ42, FJ40	RH		55956-90300-	1	1	80
8008-8410	BJ42, FJ40	LH		55957-90300-	1	1	80
	55957A	CLIP (FOR DEFROSTER GUIDE)					
8008-8410	BJ42, FJ40			90467-07003-	8	1	80
	56111	GLASS, WINDSHIELD					
8008-8410	BJ42, FJ40	XLAM, T=6.7		56111-90301-	1	1	80
8008-8410	BJ42, FJ40	XTL, T=6.7		56111-90303-	1	1	80
	56121	WEATHERSTRIP, WINDSHIELD					
8008-8410	BJ42, FJ40			56121-90301-	1	1	80
	56211	SPACER, WINDSHIELD					
8008-8106	BJ42, FJ40			56211-90300- (56211-90801-)	1	1	
8106-8110	BJ42, FJ40			56211-90801-	1		
8110-8410	BJ42, FJ40			56211-90802-	1		80
	56301	FRAME SUB-ASSY, WINDSHIELD					
8008-8410	BJ42, FJ40..V			56301-90802-	1	1	80
8008-8110	FJ40..TP			56301-90325-	1	1	6
	56306	HINGE SUB-ASSY, WINDSHIELD SUPPORT, RH					
8008-8410	BJ42, FJ40			56306-90302-	1	1	80

MR 8517 C

\* LAM=Laminated  
\* TL=Tinted Laminated

(8008- ) IV



MH 8560 1

PROD. DATE	MODELS	DESCRIPTION	PART NUMBER	QTY	REV. REF. CODE	
					FROM	UP TO
FIG.	51-53	ROOF PANEL & BACK PANEL				
		63100 PANEL ASSY, ROOF				
3008-8410	BJ42, FJ40..V		63100-90801-	1	1	80
		63114 REINFORCEMENT, ROOF PANEL, REAR				
8008-8410	BJ42, FJ40..V		63106-90303-	1	1	80
		63119B CUSHION, ROOF DRIP MOULDING, FRONT				
8008-8410	BJ42, FJ40..V		63119-90302-	1	1	80
		63161 WEATHERSTRIP, ROOF				
8008-8410	BJ42, FJ40..V		63161-60011-	1	1	80
		63162 PACKING ROOF DRIP MOULDING				
8008-8410	BJ42, FJ40..V		63162-90306-	1	1	80
		63163 SPACER, ROOF DRIP MOULDING STRENGTH				
8008-8410	BJ42, FJ40..V	RH	63167-90302-	1	1	80
8008-8410	BJ42, FJ40..V	LH	63168-90302-	1	1	80
		63163A CLIP, SPRING (FOR ROOF DRIP MOULDING STRENGTH SPACER SET)				
8008-8410	BJ42, FJ40..V		90467-04100-	6	1	80
		63164 GUSSET, ROOF DRIP MOULDING, RH				
8008-8410	BJ42, FJ40..V		63165-60010-	1	1	80
		63165 GUSSET, ROOF DRIP MOULDING, LH				
8008-8410	BJ42, FJ40..V		63166-60010-	1	1	80
		63165A FRAME, ROOF DRIP				
8008-8410	BJ42, FJ40..V		63165-90801-	1	1	80

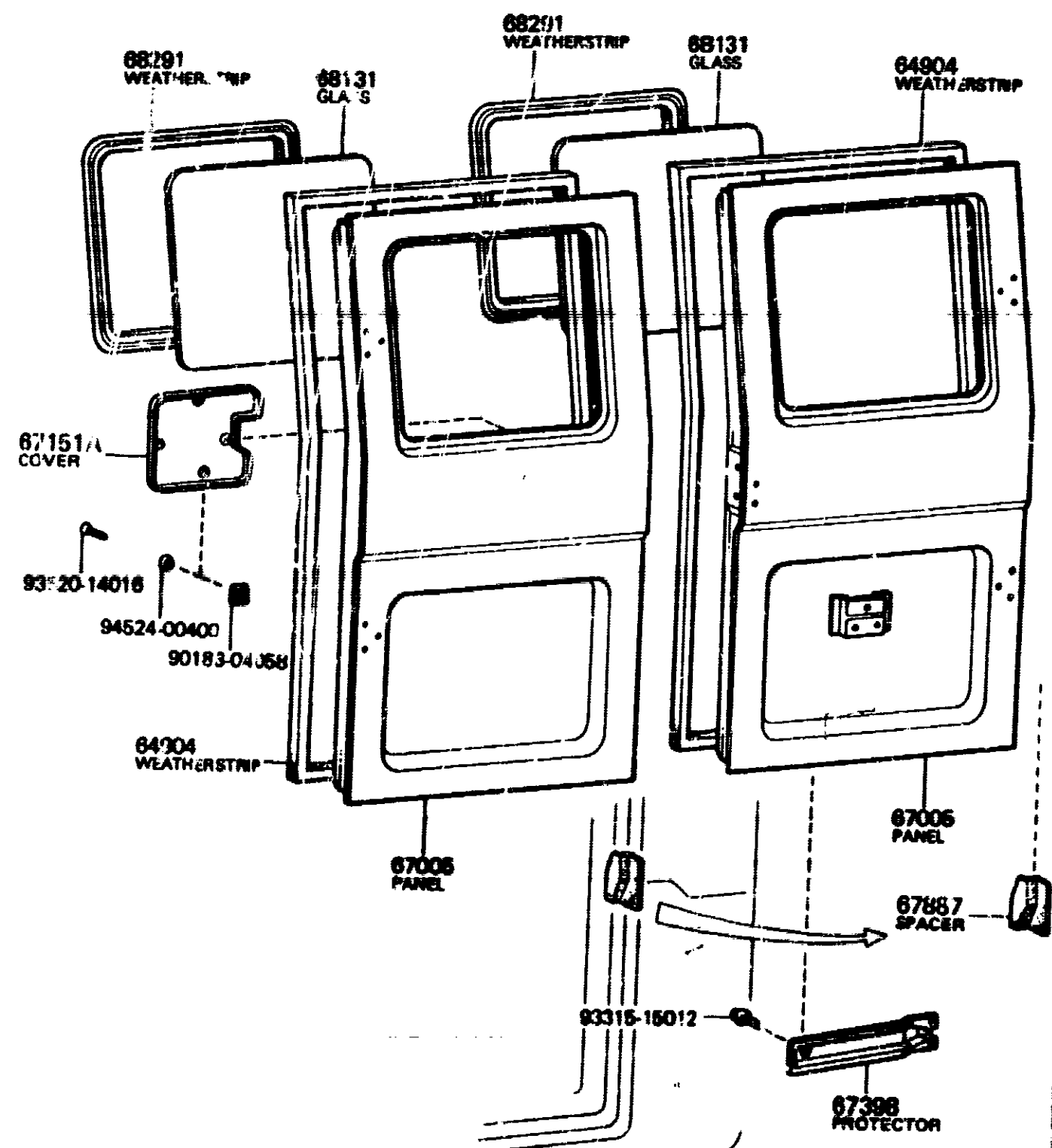
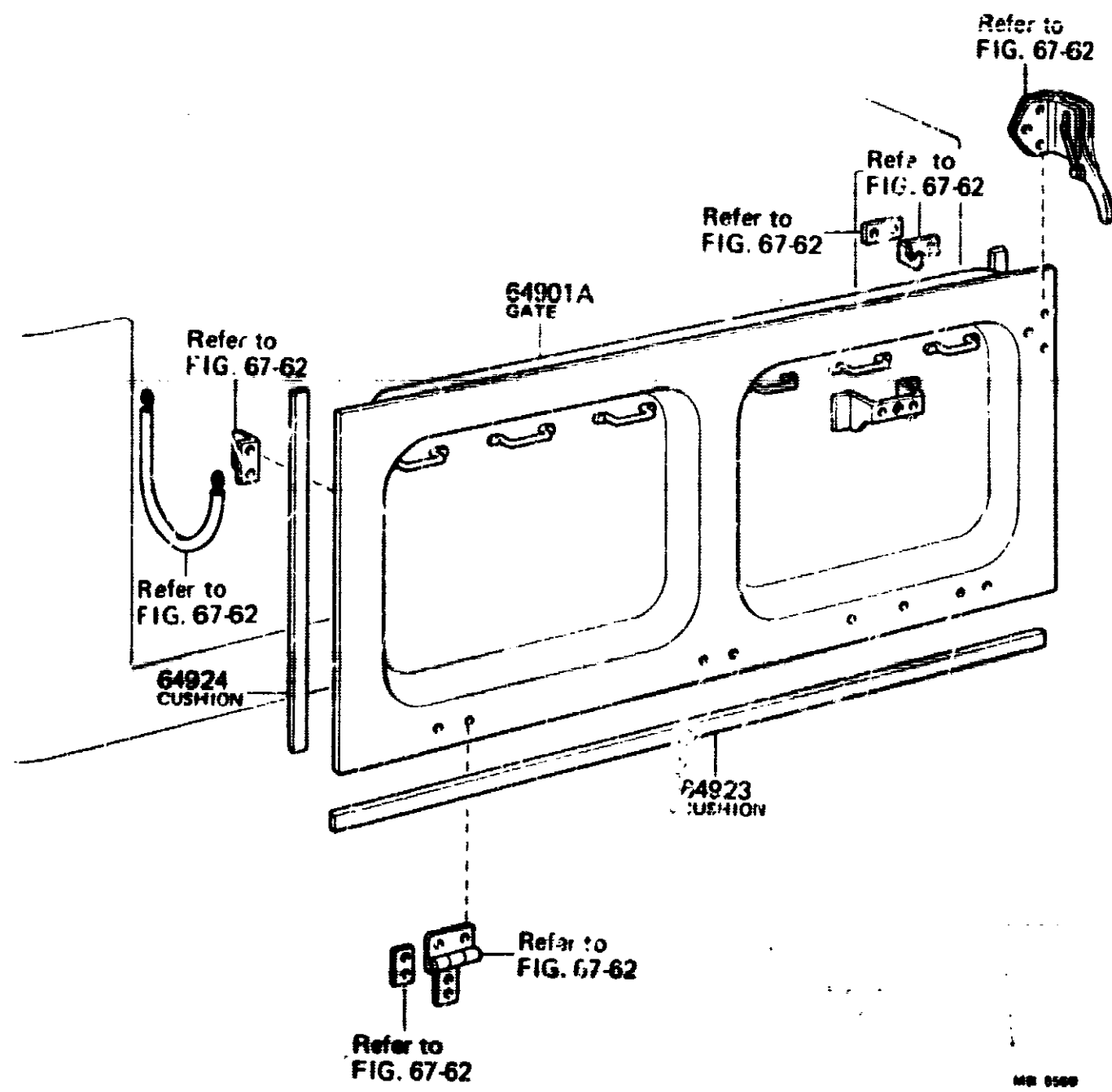


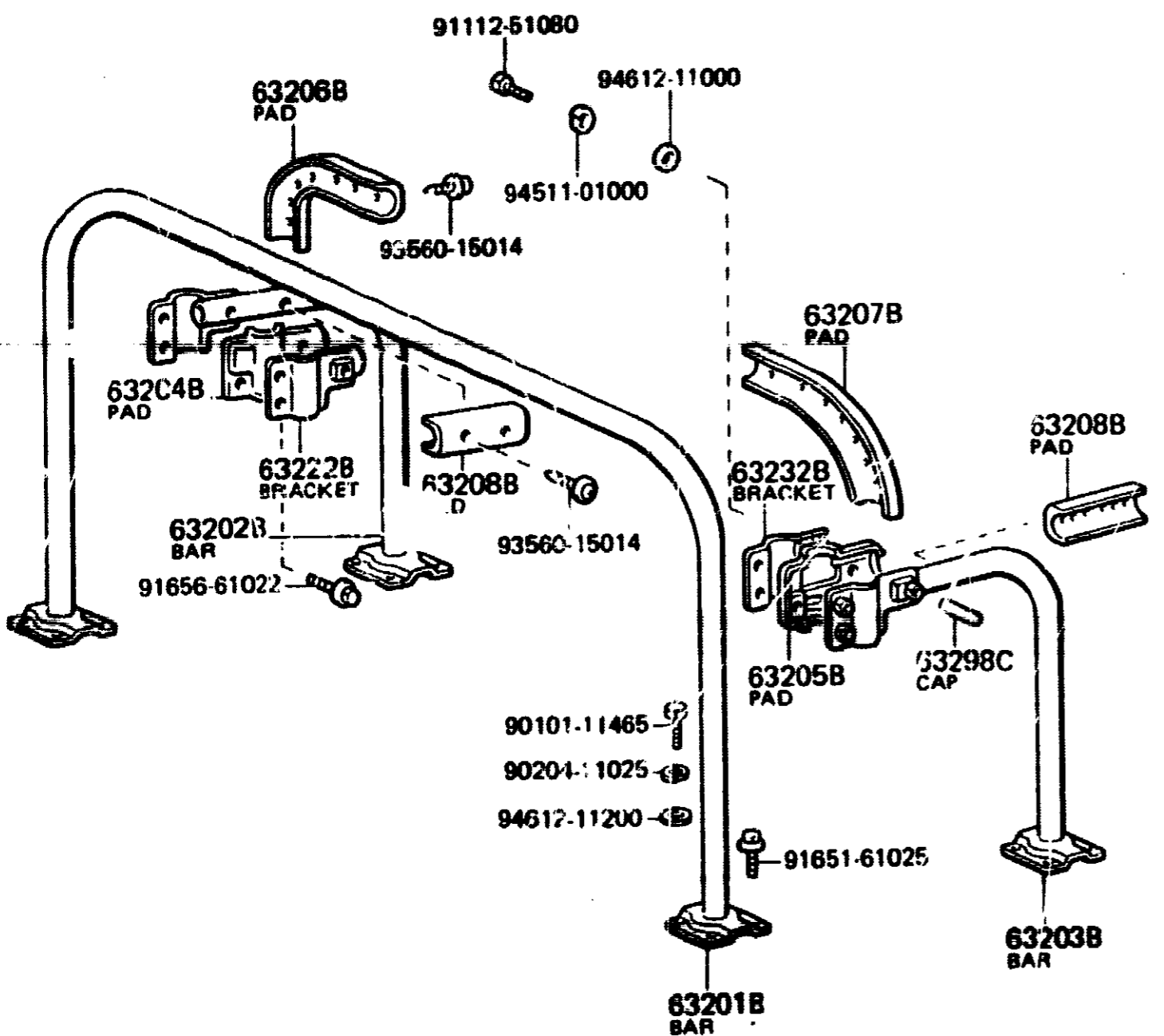
FIG.74-53 PROTECTOR PIPE, ROLL BAR &

HANDRAIL

3-G5

GENUINE TOYOTA PARTS

(8008- )



PROD.DAT.	MODELS	DESCRIPTION	R/P	PART NUMBER	QTY	REV. REF. CODE	
						FROM	UP TO
FIG.	74-53 PROTECTOR PIPE, ROLL BAR & HANDRAIL						
8008-8410	BJ42,FJ40	63201B BAR, ROLL, FRONT		63201-90304-	1	1	80
8008-8410	BJ42,FJ40	63202B BAR, ROLL SIDE, RH		63202-90307-	1	1	80
8008-8410	BJ42,FJ40	63203B BAR, ROLL SIDE, LH		63203-90307-	1	1	80
8008-8410	BJ42,FJ40	63204B PAD, ROLL BAR BRACKET, RH		63204-90300-	1	1	80
8008-8410	BJ42,FJ40	63205B PAD, ROLL BAR BRACKET, LH		63205-90300-	1	1	80
8008-8410	BJ42,FJ40	63206B PAD, ROLL BAR FRONT, RH		63206-90300-	1	1	80
8008-8410	BJ42,FJ40	63207B PAD, ROLL BAR FRONT, LH		63207-90300-	1	1	80
8008-8410	BJ42,FJ40	63208B PAD, ROLL BAR, SIDE		63208-90300-	2	1	80
8008-8410	BJ42,FJ40	63222B BRACKET, ROLL BAR INNER, RH		63222-90303-	1	1	80
8008-8410	BJ42,FJ40	63232B BRACKET, ROLL BAR INNER, LH		63232-90303-	1	1	80
8008-8410	BJ42,FJ40	63298C CAP (FOR ROLL BAR)		55298-30010-	4	1	80

PROD. DATE	MODELS	DESCRIPTION	R/P	PART NUMBER	QTY	REV. REF. CODE	
						FROM	UP TO
	77652	CUSHION, FUEL TANK, NO.1					
8008-8410	BJ42, FJ40	750X100		77651-60020-	1	1	80
8008-8410	FJ42, FJ40	230X80		77652-60011-	2	1	80
8008-8410	BJ42, FJ40	350X80		77653-60010-	1	1	80
8008-8410	BJ42, FJ40	100X100		77654-60010-	4	1	80
	77701T	VALVE, CHECK					
8008-8410	BJ42, FJ40, GND			90917-10020-	1	1	80
	77740	CANISTER ASSY, CHARCOAL					
8008-8309	FJ40..USA			77740-60014-	1	1	
	77740A	HOSE, FUEL, NO.1 (FOR CHARCOAL CANISTER)					
8008-8309	FJ40..USA	XH,L=180		95332-06020-	1	1	
	77740D	HOSE, FUEL, NO.4 (FOR CHARCOAL CANISTER)					
8008-8309	FJ40..USA	XH,L=130		95332-06020-	1	1	
	77740F	TUBE, FUEL, NO.1 (FOR CHARCOAL CANISTER)					
8008-8309	FJ40..USA			77247-60040-	1	1	
	77740H	TUBE, FUEL, NO.3 (FOR CHARCOAL CANISTER)					
8008-8309	FJ40..USA			77246-60050-	1	1	
	77741	TUBE, FUEL VAPOR FEED					
8008-8309	FJ40..USA			77263-60021-	1	1	
	77741A	HOSE, FUEL, (FOR VAPOR FEED)					
8008-8309	FJ40..USA			77249-60020-	1	1	
	77752	BRACKET, CHARCOAL CANISTER SUPPORT					
8008-8309	FJ40..USA			53721-90300-	1	1	
	77759	HOSE, CHARCOAL CANISTER					
8008-8309	FJ40..USA			77759-14011-	1	1	

PROD. DATE	MODELS	DESCRIPTION	R/P	PART NUMBER	QTY	REV. REF. CODE	
						FROM	UP TO
	7779	HOSE, OUTER VENT VALVE TO CARBURETOR					
8008-8309	FJ40..USA	L=140		95331-10014-	1	1	
		(95332-10014- )					

\*H,L=Cut hose to length as specified in remarks

PROD. DATE	MODELS	DESCRIPTION	R/P	PART NUMBER	QTY	REV. REF. CODE	
						FRM	UP TO
FIG.	82-01 BATTERY & BATTERY CABLE						
	28800 BATTERY						
8008-8110	2F..FJ40..CND	N70Z		28800-46012-	1	1	6
8008-8309	2F..FJ40..USA	N70Z-MF		28800-61010-	1	1	
8008-8410	3B..BJ42	N70Z(24V)		28800-45012-	2	1	80
	28800A TERMINAL, BATTERY POSITIVE						
8110-8305	2F..FJ40	W/ELECTRIC AL WINCH		99142-87175-	1	7	
8305-8309	2F..FJ40	W/ELECTRIC AL WINCH		90982-05005-	1		
8110-8410	3B..BJ42			99142-87175-	1	7	80
8008-8110	3B, 2F..BJ42, FJ40	W/ELECTRIC AL WINCH			1	1	6
	28800B CABLE, BATTERY TO GROUND						
8008-8309	2F..FJ40			90982-02065- (90982-02103-)	1	1	
8008-8410	3B..BJ42			90982-02103-	1	1	80
	28800C CABLE, BATTERY TO STARTER (FOR BATTERY TO MAIN SWITCH)						
8008-8011	2F..FJ40	W/ELECTRIC AL WINTCH		82046-90302-	1	1	
8008-8309	2F..FJ40			90982-01370-	1	1	
8206-8309	2F..FJ40	W/ELECTRIC AL WINTCH		90982-01422-	1	25	
8011-8110	2F..FJ40..TP	W/ELECTRIC AL WINTCH		82046-90302-	1		6
8011-8206	2F..FJ40..V	W/ELECTRIC AL WINTCH		82046-90802-	1		2
8008-8110	3B..BJ42			90982-01378-	1	1	6
8008-8110	3B..BJ42	W/ELECTRIC AL WINTCH		90982-01393-	1	1	6
8110-8410	3B..BJ42			90982-01415-	1	7	80
	28800D COVER, CONNECTOR (FOR BATTERY TERMINAL)						
8110-8410	3B..BJ42			82821-12150-	1	7	80

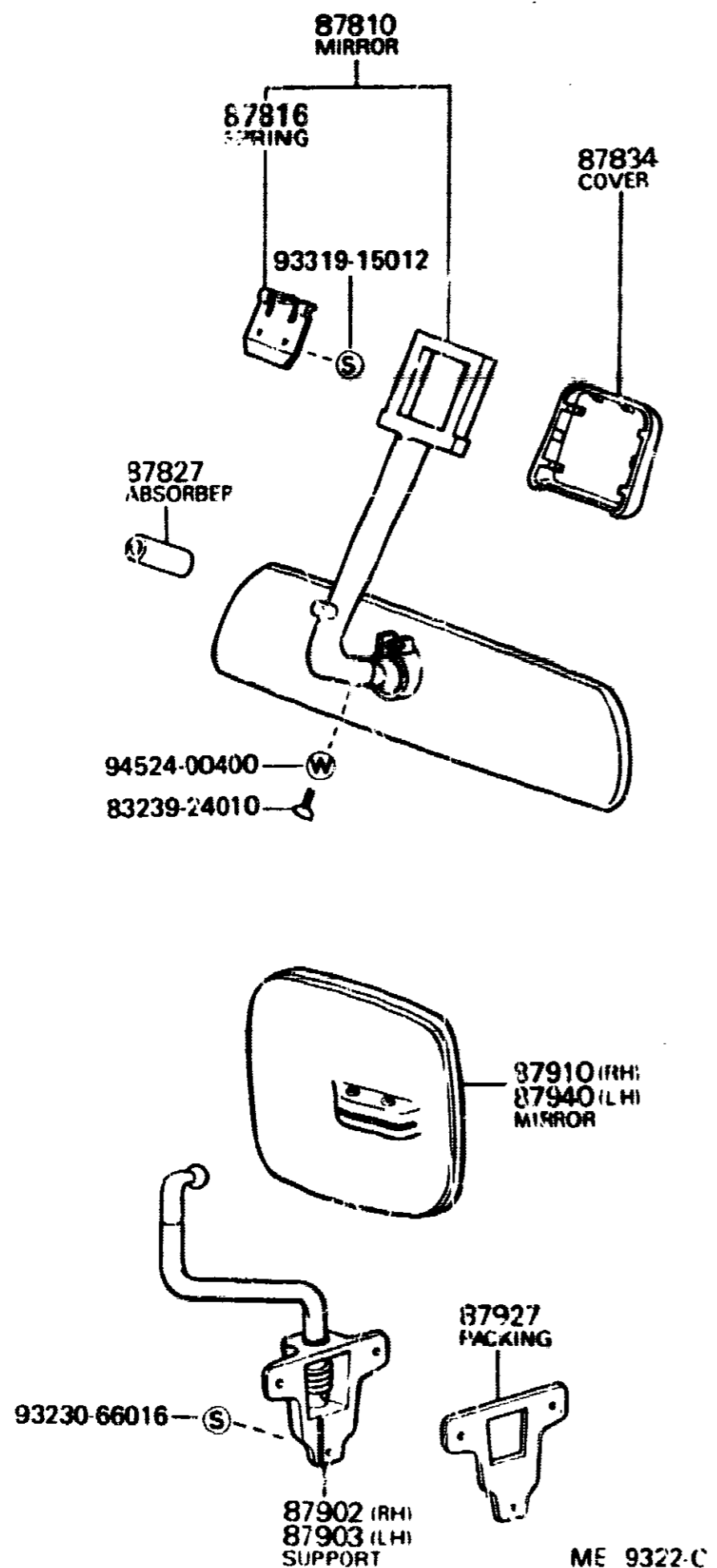
PROD. DATE	MODELS	DESCRIPTION	R/P	PART NUMBER	QTY	REV. REF. CODE	
						FRM	UP TO
		28800F CABLE, BATTERY TO BATTERY					
8008-8410	3B..BJ42			90982-03012-	1	1	80
		28897 PLATE, BATTERY CAUTION					
8008-8110	2F..FJ40..CND			28897-36010-	1	1	6
8008-8410	3B..BJ42				2	1	80



PROD. DATE	MODELS	DESCRIPTION	R/P	PART NUMBER	QTY	REV. REF. CODE	
						FROM	UP TO
8008-8410	BJ42, FJ40	SWITCH ASSY, TURN SIGNAL		84310-60072-	1	1	80
8008-8410	BJ42, FJ40	SWITCH ASSY, HAZARD WARNING SIGNAL		84332-60021-	1	1	80
8008-8410	BJ42, FJ40	BOLT OR NUT, HAZARD WARNING SIGNAL SWITCH SET		90984-01007-	1	1	80
8008-8410	BJ42, FJ40	KNOB, HAZARD WARNING SIGNAL SWITCH		84331-60022-	1	1	80
8008-8102	BJ42, FJ40	SWITCH ASSY, STOP LAMP		MATSUSHITA # 84340-22060- (84340-36030-)	1	1	
8008-8202	BJ42, FJ40			TOKAIRIKA # 84340-22071- (84340-22072-)	1	1	
8102-8410	BJ42, FJ40			MATSUSHITA # 84340-36030- (84340-22072-)	1		80
8202-8410	BJ42, FJ40			TOKAIRIKA 84340-22072-	1		80
8008-8410	BJ42, FJ40	SWITCH ASSY, BRAKE WARNING TEST		84380-20010-	1	1	80
8110-8410	BJ42	SWITCH ASSY, IGNITION		84450-60070-	1	7	80
8008-8309	FJ40				1	1	
8008-8410	BJ42	SWITCH, LEVEL WARNING		84461-30040-	1	1	80
8008-8110	BJ42	SWITCH ASSY, STARTER		84510-60030-	1	1	80
8008-8110	BJ42	SWITCH, GLOW PLUG		84521-60010-	1		6
8008-8410	BJ42, FJ40	SWITCH ASSY, WINDSHIELD WIPER		84652-27010-	1	1	80

PROD. DATE	MODELS	DESCRIPTION	R/P	PART NUMBER	QTY	REV. REF. CODE	
						FROM	UP TO
8008-8410	BJ42, FJ40	BOLT OR NUT, WINDSHIELD WIPER SWITCH SET		90984-01007-	1	1	80
8008-8410	BJ42, FJ40	KNOB, WINDSHIELD WIPER SWITCH		84651-60031-	1	1	80
8008-8410	BJ42, FJ40	SWITCH ASSY, HEATER BLOWER			1		
8008-8410	BJ42, FJ40	INSTRUMENT PANEL		87290-60042-	1	1	80
8008-8101	BJ42, FJ40	SWITCH, REAR HEATER BLOWER			1		
8008-8101	BJ42, FJ40	CONSOLE BOX		84730-90A01-X	1	1	
8008-8410	BJ42, FJ40	FLATE, SWITCH		84763-60010-	1	1	80
8008-8309	FJ40..USA	VALVE, OUTER VENT CONTROL		85430-60010-	1	1	
8110-8303	BJ42	LIGHTER ASSY, CIGARETTE		85500-60020-	1	7	30
8303-8410	BJ42			85500-30340-	1	35	80
8008-8110	BJ42, FJ40				1	1	6
8110-8309	FJ40				1	7	
8211-8410	BJ42, FJ40	LENS, CIGARETTE LIGHTER INDICATOR		85533-30010-	1		80
8008-8110	BJ42	RESISTANCE ASSY, CIGARETTE LIGHTER		85540-36030-	1	1	6
8303-8410	BJ42			85540-60010-	1	35	80
8008-8210	BJ42	RESISTOR ASSY, PILOT LAMP		85550-60010-	1	1	18
8210-8410	BJ42			85550-60011-	1	17	80

(8008- )



PROD. DATE	MODELS	DESCRIPTION	R/P	PART NUMBER	QTY	REV. REF. CODE	
						FROM	UP TO
FIG.	87-01 MIRROR						
8008-8210	BJ42, FJ40	MIRROR ASSY, INNER REAR VIEW		87810-90300- (87810-90801-)	1	1	18
8210-8410	BJ42, FJ40			87810-90801-	1	19	80
8008-8410	BJ42, FJ40	SPRING, INNER REAR VIEW MIRROR		74372-30070-	1	1	80
8008-8203	BJ42, FJ40	ABSORBER, INNER REAR VIEW MIRROR		87828-12010-	1	1	
8203-8410	BJ42, FJ40			87828-90800-	1		80
8008-8410	BJ42, FJ40	COVER, INNER REAR VIEW MIRROR STAY HOLDER		87834-14011-03	1	1	80
8008-8410	BJ42, FJ40	SUPPORT, REAR VIEW OUTSIDE MIRROR, RH		87902-90301-	1	1	80
8008-8410	BJ42, FJ40	SUPPORT, REAR VIEW OUTSIDE MIRROR, LH		87905-90301-	1	1	80
8008-8410	BJ42, FJ40	MIRROR ASSY, OUTER REAR VIEW, RH		87901-90303-	1	1	80
8008-8410	BJ42, FJ40	PACKING, REAR VIEW OUTSIDE MIRROR STAY		87911-90300-	2	1	80
8008-8410	BJ42, FJ40	MIRROR ASSY, OUTER REAR VIEW, LH		87901-90303-	1	1	80

PROD. DATE	MODELS	DESCRIPTION	P	PART NUMBER	QTY	REV. REF. CODE	
						FROM	UP TO
8008-8309	FJ40..V..USA	88716A   PIPE, COOLER REFRIGERANT LIQUID, A (FROM CONDENSER)		88716-60150-	1	1	
8008-8309	FJ40..V..USA	88716B   PIPE, COOLER REFRIGERANT LIQUID, B		88716-60240-	1	1	
8008-8309	FJ40..V..USA	88716E   PIPE, COOLER REFRIGERANT LIQUID, E (TO COOLER UNIT)		88716-60260-	1	1	
8008-8309	FJ40..V..USA	88717A   PIPE, COOLER REFRIGERANT SUCTION, A (FROM COOLER UNIT)		88717-60070-	1	1	

PROD. DATE	MODELS	DESCRIPTION	P	PART NUMBER	QTY	REV. REF. CODE	
						FROM	UP TO

## CYLINDER - FAN

G12

## FAN - GASKET

PART	NAME	LOCATION
CYLINDER KIT, CLUTCH MASTER		2-E1
CYLINDER KIT, CLUTCH RELEASE		2-G1
CYLINDER KIT, DISC BRAKE, FRONT		2-E7
CYLINDER KIT, REAR WHEEL		2-H7
CYLINDER SET, LOCK		3-M4
CYLINDER SUB-ASSY, BRAKE MASTER		2-M6
CYLINDER SUB-ASSY, COOLER COMPRESSOR		3-110
DAMPER ASSY, STEERING		2-16
DEFLECTOR, BRAKE DRUM OIL		2-J4
DEFLECTOR, BREATHER OIL		2-M2
DEFLECTOR, DUST (FOR FRONT AXLE)		2-B5
DEFLECTOR, DUST (FOR REAR DIFFERENTIAL)		2-E4
DEFLECTOR, DUST (FOR TRANSFER OUTPUT SHAFT)		2-L2
DEFLECTOR, REAR AXLE HOUSING OIL		2-T4
DIAPHRAGM		1-C7
DIAPHRAGM PLATE SUB-ASSY, BOOSTER FRONT		2-C7
DIAPHRAGM PLATE SUB-ASSY, BOOSTER REAR		2-C7
DIAPHRAGM SUB-ASSY		1-K4
DIAPHRAGM SUB-ASSY, GOVERNOR		1-L7
DIODE		3-K7
DISC ASSY, CLUTCH		2-B1
DISC SUB-ASSY, CLUTCH INNER		2-L3
DISC, CLUTCH OUTER		2-H3
DISC, FRONT		2-E5
DISTRIBUTOR ASSY		1-I5
DOOR ASSY, GLOVE COMPARTMENT		3-E2
DOWEL, SPLIT (FOR STEERING KNUCKLE ARM)		2-B3
DRIVER, SCREW		1-A1
DROPPER, METER		3-AH
DRUM SUB-ASSY, REAR BRAKE		2-14
DRUM SUB-ASSY, WINCH		2-K3
DUCT ASSY, ROOF SIDE VENT, LH		3-H3
DUCT ASSY, ROOF SIDE VENT, RH		3-H3
DUCT ASSY, SIDE VENTILATOR, LH		3-F2
DUCT ASSY, SIDE VENTILATOR, RH		3-F2
DUCT SUB-ASSY, AIR, NO.1		3-A10
DUCT, AIR, SIDE NO.1 LH		3-A10
DUCT, AIR, SIDE NO.1 RH		3-A10
DUCT, COVER (FOR WINCH MOTOR)		2-A4
DUCT, YOKE (FOR WINCH MOTOR)		2-14
DUST PROOF ASSY, TRANSFER CONTROL LEVER		3-12
ELEMENT SUB-ASSY, AIR CLEANER FILTER		1-L1
ELEMENT SUB-ASSY, FUEL FILTER		1-F8
ELEMENT SUB-ASSY, INJECTION PUMP		1-H7
ELEMENT SUB-ASSY, OIL FILTER		1-E3
END ASSY (FOR HIGH & LOW SHIFT ROD)		2-E3
END ASSY, STEERING DRAG LINK (FOR PITMAN ARM)		2-16
END SUB-ASSY, STEERING DRAG (FOR CENTER ARM)		2-16
END SUB-ASSY, STEERING RELAY ROD, RH		2-H6
END SUB-ASSY, STEERING RELAY ROD, LH		2-H6
END SUB-ASSY, TIE ROD, LH		2-H6
END SUB-ASSY, TIE ROD, RH		2-46
END, STEERING DRAG LINK		2-16
ENGINE ASSY, PARTIAL		1-C1
EQUALIZER SUB-ASSY, PARKING BRAKE		2-J6
ESCUTCHEON, BACK DOOR INSIDE HANDLE		3-K4
ESCUTCHEON, DOOR REGULATOR HANDLE (FOR FRONT DOOR)		3-E4
EVAPORATOR SUB-ASSY, COOLER, NO.1		3-L9
FAN		1-A4
FAN SUB-ASSY, HEATER BLOWER		3-K9
FAN SUB-ASSY, REAR HEATER BLOWER		3-K9
FAN, ALTERNATOR		1-D6
FAN, COOLER BLOWER, NO.1		3-L9
FAN, COOLER BLOWER, NO.2		3-L9

PART	NAME	LOCATION
FAN, NO.2		1-A4
FASTENER SUB-ASSY, HOOD		3-L1
FASTENER, SEAT (FOR SIDE SEAT)		3-C5
FASTENER, VINYL TOP		3-K3
FELT (FOR ALTERNATOR DRIVE END FRAME)		1-C6
FENDER SUB-ASSY, FRONT, LH		3-L1
FENDER SUB-ASSY, FRONT, RH		3-L1
FILTER ASSY, AIR		1-F5
FILTER ASSY, FUEL		1-F8
FILTER ASSY, FUEL (FOR DIESEL)		1-F8
FILTER, FUEL PUMP		1-B8
FILTER, GAS, NO.1		1-F5
FILTER, WINDSHIELD WASHER JAR		3-A9
FILTER, WINDSHIELD WASHER JAR, NO.2		3-A9
FINAL GEAR SET, DIFFERENTIAL, REAR		2-D4
FINAL GEAR SET, FRONT AXLE DIFFERENTIAL		2-B5
FITTING KIT, NO.1, WINCH		2-H3
FITTING KIT, NO.2, WINCH		2-H3
FLANGE SUB-ASSY, DRIVE PINION COMPANION, REAR		2-E4
FLANGE SUB-ASSY, REAR SIDE SERVICE HOLE COVER SET		3-C3
FLANGE, AXLE OUTER SHAFT		2-D5
FLANGE, COMPANION (FOR TRANSFER OUTPUT SHAFT)		2-L2
FLANGE, FRONT AXLE DRIVE PINION, W/DEFLECTOR		2-B5
FLANGE, INJECTION PUMP		1-17
FLASHER, THERMO SENSER INLET		1-H4
FLASHER ASSY, TURN SIGNAL		3-F8
FLOAT SUB-ASSY		1-B7
FLOAT, CLUTCH MASTER CYLINDER RESERVOIR		2-E1
FLYWHEEL SUB-ASSY		1-H2
FORK ASSY, CLUTCH RELEASE		2-B1
FORK, REVERSE SHIFT		2-F2
FORK, TRANSFER GEAR SHIFT, NO.1		2-D3
FORK, TRANSFER GEAR SHIFT, NO.2		2-D3
FORK, 1ST & 2ND SHIFT		2-F2
FORK, 3RD & 4TH SHIFT		2-F2
FORK, 5TH SHIFT		2-F2
FRAME ASSY		3-A1
FRAME ASSY, DRIVE END, ALTERNATOR		1-B6
FRAME ASSY, RECIPIER END		1-C6
FRAME ASSY, STARTER COMMUTATOR END		1-G6
FRAME SUB-ASSY, COMMVATOR END (FOR WINCH MOTOR)		2-A4
FRAME SUB-ASSY, FRONT DOOR REAR LOWER, LH		3-L3
FRAME SUB-ASSY, FRONT DOOR REAR LOWER, RH		3-L3
FRAME SUB-ASSY, VENT WINDOW GLASS, LH		3-A4
FRAME SUB-ASSY, VENT WINDOW GLASS, RH		3-A4
FRAME SUB-ASSY WINDSHIELD		3-G2
FRAME, END (FOR WINCH MOTOR)		2-A4
FRAME, ROOF DR P		3-G3
FREON GAS, AIR CONDITIONER (DRUM, COOLER REFRIGERANT)		3-F10
FUSE, FUSE BLOCK		3-F8
FUSIBLE LINK		3-J7
GAGE ASSY, FUEL RECEIVER		3-A8
GAGE ASSY, FUEL SENDER		3-F8
GAGE ASSY, OIL LEVEL		1-K1
GAGE ASSY, OIL PRESSURE RECEIVER		3-A8
GAGE ASSY, OIL PRESSURE SENDER		3-F8
GAGE ASSY, WATER TEMPERATURE RECEIVER		3-A8
GAGE ASSY, WATER TEMPERATURE SENDER		3-F8
GASKET		1-G3
GASKET (FOR BOTTOM AIR CLEANER FILTER CASE)		1-K4
GASKET (FOR CLUTCH MASTER CYLINDER TO FLEXIBLE HOSE TUBE)		2-D1
GASKET (FOR DRAIN PLUG)		2-K3
GASKET (FOR FILLER PLUG)		2-K3
GASKET (FOR FLUID OUTLET PLUG REAR SIDE)		2-M6

## VALVE - WASHER

G13

## WASHER - WIRE

PART	NAME	LOCATION
VALVE ASSY, BRAKE MASTER CYLINDER OUTLET	-----	2-A7
VALVE ASSY, EGR	-----	1-H8
VALVE ASSY, FLOW CONTROL	-----	2-A6
VALVE ASSY, HEATER WATER	-----	3-C10
VALVE ASSY, MASTER CYLINDER OUTLET (FOR REAR SIDE)	-----	2-A7
VALVE ASSY, POWER STEERING CONTROL	-----	2-J5
VALVE ASSY, PROPORTIONING AND BY-PASS	-----	2-L7
VALVE ASSY, VACUUM CHECK (FOR BRAKE VACUUM)	-----	2-D7
VALVE ASSY, VACUUM SWITCHING	-----	1-F5
VALVE ASSY, WATER UNIT	-----	3-K9
VALVE SUB-ASSY, CHECK	-----	1-J6
VALVE SUB-ASSY, HIGH ALTITUDE COMPENSATOR	-----	1-G5
VALVE SUB-ASSY, INJECTION PUMP DELIVERY	-----	1-H7
VALVE SUB-ASSY, NEEDLE	-----	1-B7
VALVE SUB-ASSY, OIL CHECK	-----	1-K1
VALVE SUB-ASSY, VENTILATION	-----	1-E2
VALVE, BIMETAL VACUUM SWITCHING, NO.1	-----	1-F5
VALVE, BIMETAL VACUUM SWITCHING, NO.2	-----	1-F5
VALVE, CHECK	-----	1-B5
VALVE, CHECK (FOR AIR INJECTION SYSTEM)	-----	3-G6
VALVE, CHECK, NO.1	-----	1-C5
VALVE, COOLER COMPRESSOR DISCHARGE SERVICE	-----	1-F5
VALVE, COOLER COMPRESSOR SERVICE	-----	3-J10
VALVE, COOLER COMPRESSOR SUCTION SERVICE	-----	3-J10
VALVE, COOLER EXPANSION	-----	3-J10
VALVE, EXHAUST	-----	3-L9
VALVE, FEED PUMP CHECK	-----	1-K2
VALVE, INTAKE	-----	1-A8
VALVE, MAGNET (FOR IDLE UP DEVICE)	-----	1-K2
VALVE, MANIFOLD HEAT CONTROL	-----	3-E10
VALVE, OIL PUMP RELIEF	-----	1-F4
VALVE, OIL PUMP RELIEF	-----	1-B3
VALVE, OUTER VENT CONTROL	-----	3-G8
VALVE, POWER	-----	1-B7
VALVE, SECONDARY SLOW CUT	-----	1-B7
VALVE, THERMOSTATIC	-----	1-L4
VALVE, VACUUM CONTROL, NO.1	-----	1-F5
VALVE, VACUUM TRANSMITTING, NO.1	-----	1-F5
VALVE, VACUUM TRANSMITTING, NO.2	-----	1-F5
VALVE, VENTURI THROTTLE	-----	1-K8
VALVE, WINDSHIELD WASHER HOSE	-----	3-A9
VENTURI ASSY	-----	1-J8
VINYL SUB-ASSY, TOP	-----	1-J8
VISOR ASSY, LH	-----	3-K3
VISOR ASSY, RH	-----	3-F5
WASHER (FOR MANUAL TRANSMISSION OUTPUT SHAFT SET)	-----	3-F5
WASHER (FOR NOZZLE HOLDER PRESSURE SPRING)	-----	2-B2
WASHER (FOR PNEUMATIC BELLOWS)	-----	1-E7
WASHER (FOR RING PACKING)	-----	M7
WASHER (FOR RING PACKING)	-----	1-F7
WASHER (FOR SHIFT ARM PIVOT)	-----	2-F2
WASHER (FOR 5TH SHIFTER ARM)	-----	2-F2
WASHER, CLAW (FOR REAR BRAKE)	-----	1-G2
WASHER, CLAW (FOR STEERING KNUCKLE WABER)	-----	2-H7
WASHER, CONE (FOR FRONT AXLE SHAFT)	-----	2-D5
WASHER, CONE (FOR REAR AXLE SHAFT)	-----	2-D5
WASHER, DRAIN SCREW	-----	2-14
WASHER, FELT, STARTER	-----	1-L7
WASHER, FRONT AXLE DIFFERENTIAL PINION THRUST	-----	1-G6
WASHER, FRONT AXLE DIFFERENTIAL SIDE GEAR THRUST	-----	2-15
WASHER, FRONT SHOCK ABSORBER CUSHION, NO.1	-----	2-18
WASHER, FRONT SHOCK ABSORBER CUSHION, NO.2	-----	2-18
WASHER, FRONT WHEEL ADJUSTING LOCK	-----	2-E8
WASHER, LOCK (FOR SHIFT & SELECT LEVER)	-----	2-E5
WASHER, LOCK (FOR SHIFT & SELECT LEVER)	-----	2-G2

PART	NAME	LOCATION
WASHER, PLATE (FOR DRIVE PINION)	-----	2-E4
WASHER, PLATE (FOR FRONT AXLE DRIVE PINION)	-----	2-B5
WASHER, PLATE (FOR REAR DIFFERENTIAL DRIVE PINION)	-----	2-E4
WASHER, PLATE (FOR SPEEDOMETER DRIVE GEAR)	-----	2-B3
WASHER, PLATE (FOR STEERING WORM)	-----	2-H5
WASHER, PLATE (FOR TIMING GEAR)	-----	1-K2
WASHER, PLATE (FOR TRANSFER OUTPUT SHAFT)	-----	2-L2
WASHER, REAR DIFFERENTIAL PINION THRUST	-----	2-F4
WASHER, REAR DIFFERENTIAL SIDE GEAR THRUST NO.1	-----	2-F4
WASHER, REAR SHOCK ABSORBER CUSHION, NO.1	-----	2-H8
WASHER, REAR SHOCK ABSORBER CUSHION, NO.2	-----	2-H8
WASHER, REAR SHOCK ABSORBER CUSHION, NO.3	-----	2-H8
WASHER, REAR SHOCK ABSORBER CUSHION, NO.4	-----	2-H8
WASHER, RESERVOIR SET BOLT	-----	2-A7
WASHER, SEAL (FOR AIR CLEANER)	-----	1-K4
WASHER, SEAL (FOR CROSSSHAFT ADJUSTING SCREW)	-----	2-J5
WASHER, SEAL (FOR CYLINDER HEAD COVER)	-----	1-H1
WASHER, SEAL (FOR HEAD COVER SET)	-----	1-L2
WASHER, SECTOR SHAFT THRUST	-----	2-L5
WASHER, SPRING	-----	1-17
WASHER, SPRING (FOR STEERING CENTER ARM)	-----	2-H6
WASHER, STARTER IDLE GEAR CLUTCH	-----	1-H6
WASHER, THROTTLE VALVE SHAFT ADJUSTING	-----	1-J8
WASHER, TRANSFER IDLER GEAR SIDE THRUST	-----	2-B3
WASHER, TYPE C (FOR REVERSE SHIFT RETURN PLUNGER)	-----	2-F2
WASHER, WINDSHIELD WIPER LINK PIVOT, NO.1	-----	3-J8
WASHER, 1ST GEAR THRUST	-----	2-C2
WASHER, 5TH GEAR THRUST	-----	2-C2
WAY (FOR BOOSTER VACUUM)	-----	2-D7
WAY, NO.1 (FOR FRONT BRAKE TUBE)	-----	2-L7
WAY, NO.1 (FOR REAR BRAKE TUBE)	-----	2-L7
WAY, NO.2 (FOR FRONT BRAKE TUBE)	-----	2-L7
WAY, NO.3 (FOR FRONT BRAKE TUBE)	-----	2-L7
WEATHERSTRIP ASSY, FRONT DOOR GLASS, INNER	-----	3-M3
WEATHERSTRIP SUB-ASSY, BACK DOOR	-----	3-H4
WEATHERSTRIP, BACK DOOR GLASS	-----	3-H4
WEATHERSTRIP, FRONT DOOR GLASS CHANNEL	-----	3-E4
WEATHERSTRIP, FRONT DOOR GLASS, OUTER	-----	3-M3
WEATHERSTRIP, FRONT DOOR, LH	-----	3-L3
WEATHERSTRIP, FRONT DOOR, RH	-----	3-L3
WEATHERSTRIP, REAR BODY REAR SIDE, LH	-----	3-D3
WEATHERSTRIP, REAR BODY REAR SIDE, RH	-----	3-D3
WEATHERSTRIP, ROOF	-----	3-G3
WEATHERSTRIP, SIDE WINDOW CORNER	-----	3-E3
WEATHERSTRIP, SIDE WINDOW, NO.1 (FOR FIXED TYPE)	-----	3-F3
WEATHERSTRIP, SIDE WINDOW, NO.1 (FOR HINGE TYPE)	-----	3-E3
WEATHERSTRIP, VENT WINDOW FRAME, LH	-----	3-B4
WEATHERSTRIP, VENT WINDOW FRAME, RH	-----	3-B4
WEATHERSTRIP, VENT WINDOW, NO.1 LH	-----	3-B4
WEATHERSTRIP, VENT WINDOW, NO.1 RH	-----	3-B4
WEATHERSTRIP, WINDSHIELD	-----	3-G2
WEIGHT, BALANCE (FOR DISC WHEEL)	-----	2-K4
WEIGHT, GOVERNOR	-----	1-L5
WEIGHT, TIMER	-----	1-C8
WHEEL ASSY, STEERING	-----	2-F6
WHEEL, DISC (FOR FRONT)	-----	2-K4
WHEEL, DISC (FOR REAR)	-----	2-K4
WINCH ASSY	-----	2-K3
WIRE (FOR WINCH MOTOR)	-----	2-B4
WIRE ASSY, ACCELERATOR	-----	3-16
WIRE ASSY, CHAIN	-----	2-A4
WIRE ASSY, LICENSE LAMP FEED	-----	3-K7
WIRE ASSY, WIPER SWITCH TO WIPER	-----	3-K7
WIRE, AIR CONDITIONER	-----	3-E10

PART NUMBER	LOCATION	PART NUMBER	LOCATION	PART NUMBER	LOCATION	PART NUMBER	LOCATION	PART NUMBER	LOCATION	PART NUMBER	LOCATION
56301-90802-	3-G2	61320-90305-	3-C3	67205-90300-	3-G5	67561-95400-	3-A4	69052-90802-	3-M4	71073-90800-	3-C5
56306-90302-	3-G2	-90309-	3-C3	63206-90300-	3-G5	57512-95400-	3-B4	69057-60011-	3-M4	71074-90800-	3-C5
56307-90302-	3-H2	61501-90312-	3-C3	63207-90300-	3-G5	67513-95400-	3-A4	-90801-	3-M4	71075-90079-	3-C5
56313-90300-	3-H2	-90315-	3-C3	63208-90300-	3-G5	67514-95400-	3-B4	-90802-	3-M4	71081-90300-	3-C5
56409-60010-	3-E2	-90318-	3-C3	63222-90303-	3-G5	67569-90300-	3-M4	-90803-	3-M4	-	3-D5
56457-60010-	3-H2	-90329-	3-C3	63232-90303-	3-G5	67610-90304-	3-L3	69058-90300-	3-M4	71088-90800-	3-C5
58017-90800-	3-L2	61502-90316-	3-C3	63311-90302-	3-L3	67620-90304-	3-L3	-90802-	3-M4	71382-60010-	3-J4
58101-90809-	3-J2	-90319-	3-C3	64901-90316-	3-H4	67661-90300-	3-L3	-90805-	3-M4	71410-90082-	3-C5
-90828-	3-J2	61534-60011-	3-C3	64902-90306-	3-H4	67807-90300-	3-L3	69064-60021-	3-M4	-90801-	3-C5
-90829-	3-J2	61549-90800-	3-C3	64917-60010-	3-J4	67847-90800-	3-M4	-60061-	3-M4	71420-90082-	3-C5
-90842-	3-J2	61601-90840-	3-D3	64918-60010-	3-J4	67861-90300-	3-L3	69201-60020-	3-J4	-90801-	3-C5
-90887-	3-J2	-90875-	3-D3	64921-60010-	3-D3	67862-90300-	3-L3	69210-90300-	3-C4	71430-90800-	3-C5
58201-90321-	3-J2	61602-90819-	3-D3	-90310-	3-D3	68095-60020-	3-J4	69220-90300-	3-C4	71440-90800-	3-C5
58221-90300-	3-L2	-90820-	3-D3	64922-90307-	3-H4	68105-90302-	3-M3	69233-90800-	3-C4	71609-90301-	3-C5
58261-90800-	3-J2	61603-90344-	3-C3	64923-90300-	3-H4	-90303-	3-M3	69249-90300-	3-J4	71700-90800-	3-C5
-90801-	3-J2	-90348-	3-C3	65607-90300-	3-K3	68111-90800-	3-L3	69250-90301-	3-C4	-90801-	3-C5
58262-90884-	3-J2	61604-90344-	3-C3	65801-90300-	3-K3	-90800-	3-M3	69260-10040-01	3-E4	71812-30010-	3-C5
58263-90300-	3-J2	-90348-	3-D3	-90302-	3-K3	-90801-	3-M3	-90301-	3-C4	71821-90300-	3-D5
-90800-	3-J2	61683-90300-	3-D3	-90802-	3-K3	-90802-	3-M3	69265-60010-	3-K4	71822-90300-	3-D5
58268-90800-	3-J2	61687-90307-	3-D3	65802-90300-	3-K3	-90803-	3-M3	59266-22010-01	3-E4	71910-90001-03	3-C5
58273-90300-	3-J2	61688-90307-	3-D3	-90302-	3-K3	68121-90302-	3-B4	69270-90801-01	3-C4	71950-90001-	3-C5
58274-90300-	3-J2	61691-90300-	3-D3	65805-90307-	3-K3	-90303-	3-B4	69271-10020-	3-K4	71955-30020-01	3-C5
58276-90300-	3-C3	61698-90300-	3-D3	65805-60020-	3-K3	68131-90303-	3-M4	69276-20011-01	3-C4	71990-30020-01	3-C5
58280-90305-	3-J2	61802-90302-	3-F6	65911-90801-	3-K3	-90304-	3-M4	69280-90801-01	3-C4	72110-90333-	3-C5
-90800-	3-J2	61824-90302-	3-F6	65812-90801-	3-K3	69160-90300-	3-M3	69285-90801-01	3-F5	72120-90333-	3-D5
58288-90300-	3-J2	62641-90300-	3-I1	65815-90300-	3-K3	-90301-	3-M3	-	3-J4	72130-90333-	3-D5
58301-90810-	3-K2	62704-90300-	3-E3	65816-90300-	3-K3	-90802-	3-M3	69310-90300-	3-C4	72520-90300-	3-D5
-90816-	3-K2	62711-90303-	3-E3	65818-90301-	3-K3	-90803-	3-M3	-90301-	3-J4	72525-14010-01	3-D5
-90826-	3-K2	-90304-	3-E3	-90800-	3-K3	68170-90302-	3-H3	-90800-	3-C4	72526-14010-01	3-D5
-90830-	3-K2	62712-90300-	3-E3	65819-90301-	3-K3	68171-90301-	3-E4	69320-90300-	3-C4	72550-90300-	3-D5
58335-90301-	3-M5	-90301-	3-E3	65831-90301-	3-K3	68175-90301-	3-B4	-90800-	3-C4	-90301-	3-D5
58309-90307-	3-K2	62713-90300-	3-E3	65839-90300-	3-D3	68181-90300-	3-B4	69350-60010-	3-J4	72551-90A00-	3-D5
-90308-	3-K2	-90305-	3-E3	-90300-	3-K3	68182-90300-	3-B4	-90302-	3-J4	72552-90A00-	3-D5
58321-90800-	3-L2	62714-90300-	3-E3	65852-60011-	3-K3	68191-90300-	3-M3	-90800-	3-J4	72553-12020-	3-D5
58371-90303-	3-L2	-90301-	3-E3	65854-60012-	3-K3	68192-90300-	3-H3	69360-60010-	3-J4	73210-90803-	3-E5
58372-90300-	3-K2	62733-90300-	3-E3	65865-90300-	3-K3	68194-90800-	3-M3	-90302-	3-J4	-90802-	3-E5
58373-90300-	3-K2	-	3-F3	65888-90302-	3-K3	68195-90800-	3-H3	69362-90301-	3-J4	73270-90802-	3-E5
58501-90302-	3-M2	62734-12010-	3-E3	65889-90302-	3-K3	68210-90801-	3-M3	69363-90301-	3-J4	73230-90801-	3-E5
58510-90300-	3-M2	-	3-F3	65898-90301-	3-K3	68251-60030-	3-H4	69380-90800-	3-J4	-90803-	3-E5
-90806-03	3-M2	62741-90303-	3-F3	65899-90301-	3-K3	-90302-	3-H4	69388-90300-	3-J4	73240-90801-	3-E5
58511-90279-	3-M2	62742-90300-	3-E3	65910-90806-	3-K3	68292-90302-	3-H4	69405-90300-	3-K4	-90800-	3-E5
-90815-03	3-M2	62743-90300-	3-E3	65928-60010-	3-C5	68295-90300-	3-H4	69410-90300-	3-C4	73330-90800-	3-E5
58512-90300-	3-M2	62747-90800-	3-E3	-	3-K3	68296-90300-	3-H4	69411-90300-	3-C4	74102-90800-	3-J5
58514-90300-	3-M2	62798-90800-	3-E3	67001-90800-	3-L3	68710-60012-	3-E4	69451-90300-	3-J4	74104-90800-	3-J5
-90800-03	3-M2	-90801-	3-E3	-90802-	3-L3	68720-60012-	3-E4	69469-60010-	3-K4	74110-60010-	3-J5
58515-90801-03	3-M2	67910-90300-	3-F3	67002-90800-	3-L3	68898-90300-	3-E4	69510-60010-	3-M4	74130-90800-	3-J5
58706-90800-	3-M5	62930-90300-	3-H3	-90802-	3-L3	68905-60030-	3-J4	69563-90300-	3-M4	74310-90303-	3-F5
58811-90800-	3-A3	62931-89103-	3-H3	67005-90806-	3-H4	-90305-	3-J4	69601-20040-	3-M4	74320-90303-	3-F5
58829-90800-	3-A3	62940-90300-	3-H3	-90813-	3-H4	68906-60020-	3-J4	59685-12010-	3-A5	74372-30030-	3-G9
58839-90800-	3-A3	62941-90300-	3-H3	-90815-	3-H4	68909-90301-	3-J4	-95400-	3-M4	74401-60022-	3-H5
58850-90800-	3-J2	63100-90807-	3-G3	67006-90810-	3-H4	-90311-	3-J4	69709-60011-	3-K4	-60031-	3-H5
58951-90300-	3-A3	63106-90303-	3-G3	-90814-	3-H4	68959-90301-	3-J4	69759-30021-	3-D4	-60031-	3-H5
61009-90300-	3-C3	63119-90300-	3-G3	67047-90300-	3-L3	68980-90300-	3-E4	-95500-	3-C4	74402-60010-	3-H5
61106-90300-	3-C3	63161-60011-	3-G3	67129-90301-	3-H4	69005-90315-	3-M4	69764-90302-	3-J4	-60011-	3-H5
-90311-	3-C3	63165-60010-	3-G3	67398-90801-	3-H4	-90316-	3-M4	69765-90302-	3-J4	74403-60050-	3-H5
-90801-	3-C3	-90801-	3-G3	67401-90301-	3-A4	-90320-	3-M4	69768-90300-	3-K4	74404-60060-	3-H5
-90802-	3-C3	63166-60010-	3-G3	67402-90301-	3-A4	-90803-	3-M4	69801-90303-	3-E4	74514-60052-	3-I5
61107-90317-	3-C3	63167-90302-	3-G3	67434-90300-	3-M3	-90806-	3-M4	-90304-	3-E4	74531-60161-	3-I5
-90801-	3-C3	63168-90302-	3-G3	67451-90301-	3-K4	-90807-	3-M4	69802-90303-	3-E4	74556-12112-	3-I5
61190-90300-	3-C3	-90306-	3-G3	67481-90301-	3-A4	69051-69015-	3-M4	-90304-	3-E4	-12113-	3-I5
61193-90300-	3-C3	63201-90304-	3-G5	67501-90301-	3-A4	-90801-	3-M4	69901-90800-	3-F4	-12114-	3-I5
61310-90310-	3-C3	63202-90307-	3-G5	67502-90301-	3-A4	-90802-	3-M4	-90801-	3-F4	-12116-	3-I5
-90312-	3-C3	63203-90307-	3-G5	67519-60011-	3-A4	69052-69015-	3-M4	69902-90800-	3-F4	74559-14030-	3-I5
		63204-90300-	3-G5	67559-90300-	3-A4	-90801-	3-M4	71071-90305-	3-I5	-20030-	3-I5

ILLUSTRATED INDEX

2-C1 (31-02) 1



Clutch Pedal

2-E1 (31-03) 2



Clutch Master Cylinder

2-F1 (31-05) 3



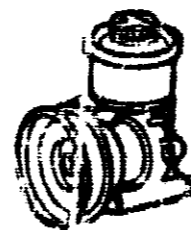
Clutch Release Cylinder

2-F5 (45-01) 4



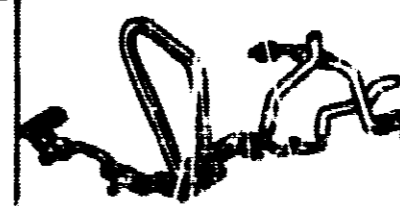
Steering Column

2-M5 (45-02) 5



Vane Pump & Reservoir

2-C6 (45-03) 6



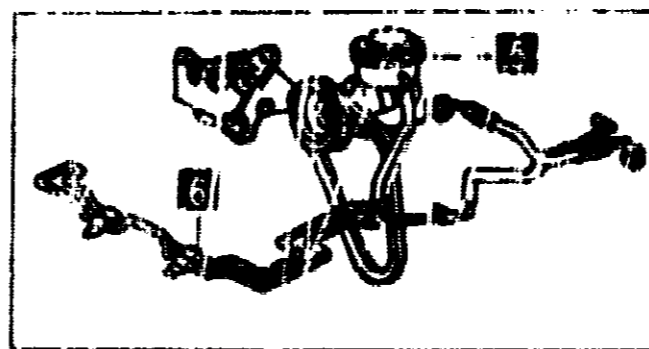
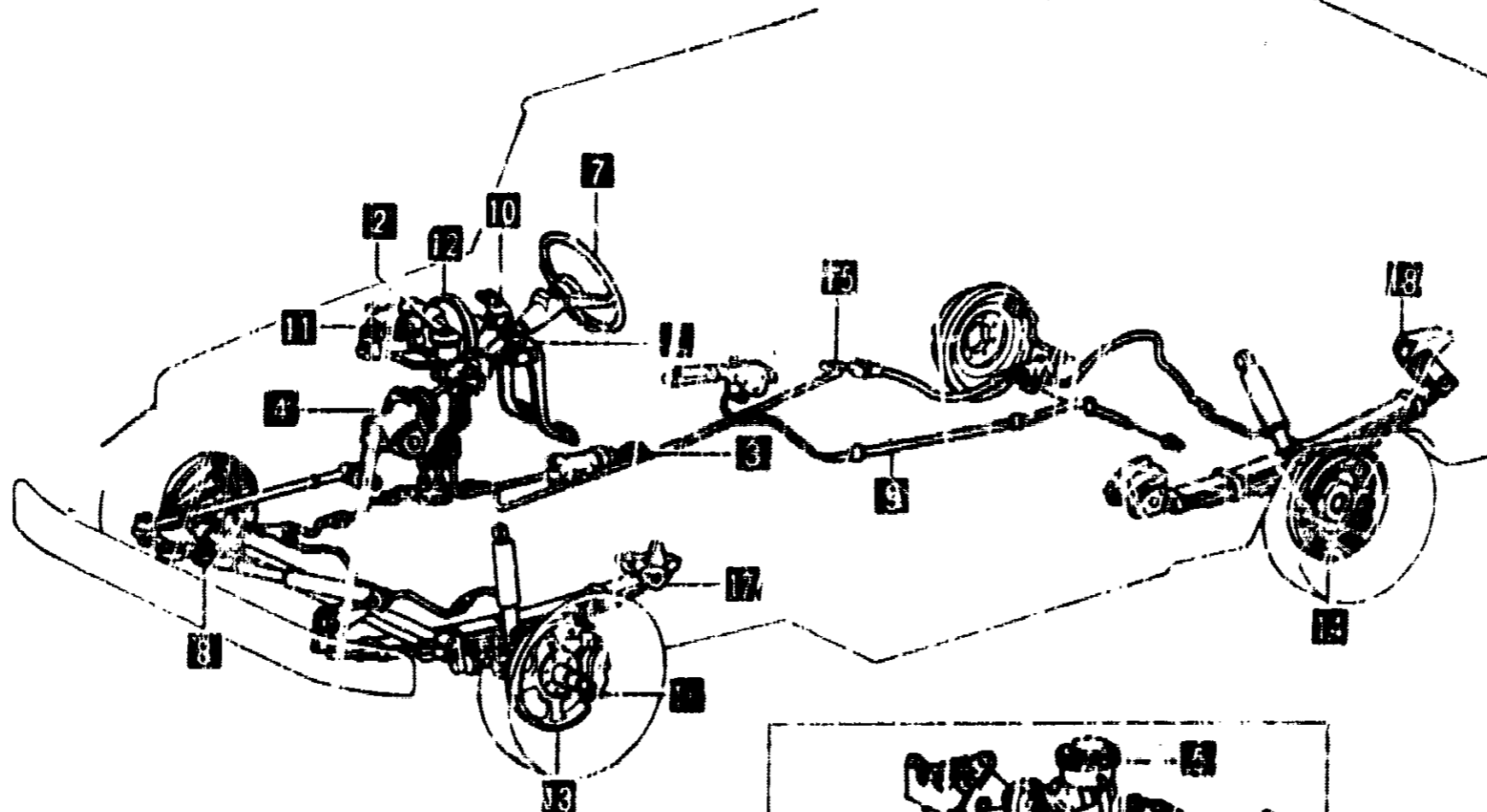
Oil Cooler & Tube

2-F6 (45-04) 7

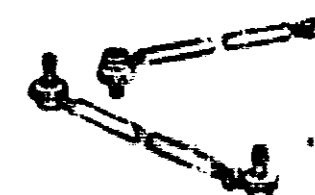


Steering Wheel

POWER TRAIN - CHASSIS GROUP (2/2)



2-G6 (45-05) 8



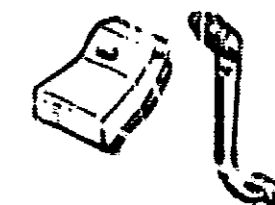
Steering Link

2-J6 (46-01) 9



Parking Brake & Cable

2-L6 (47-01) 10



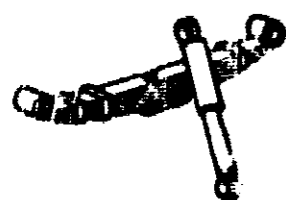
Brake Pedal & Bracket

2-M6 (47-02) 11



Brake Master Cylinder

2-F8 (48-04) 12



Rear Spring

2-C8 (48-05) 13



Front Spring

2-A8 (48-02) 14



Front Axle Arm

2-J7 (47-08) 15



Brake Tube & Clamp

2-G7 (47-06) 16



Rear Backing Plate

2-E7 (47-05) 17



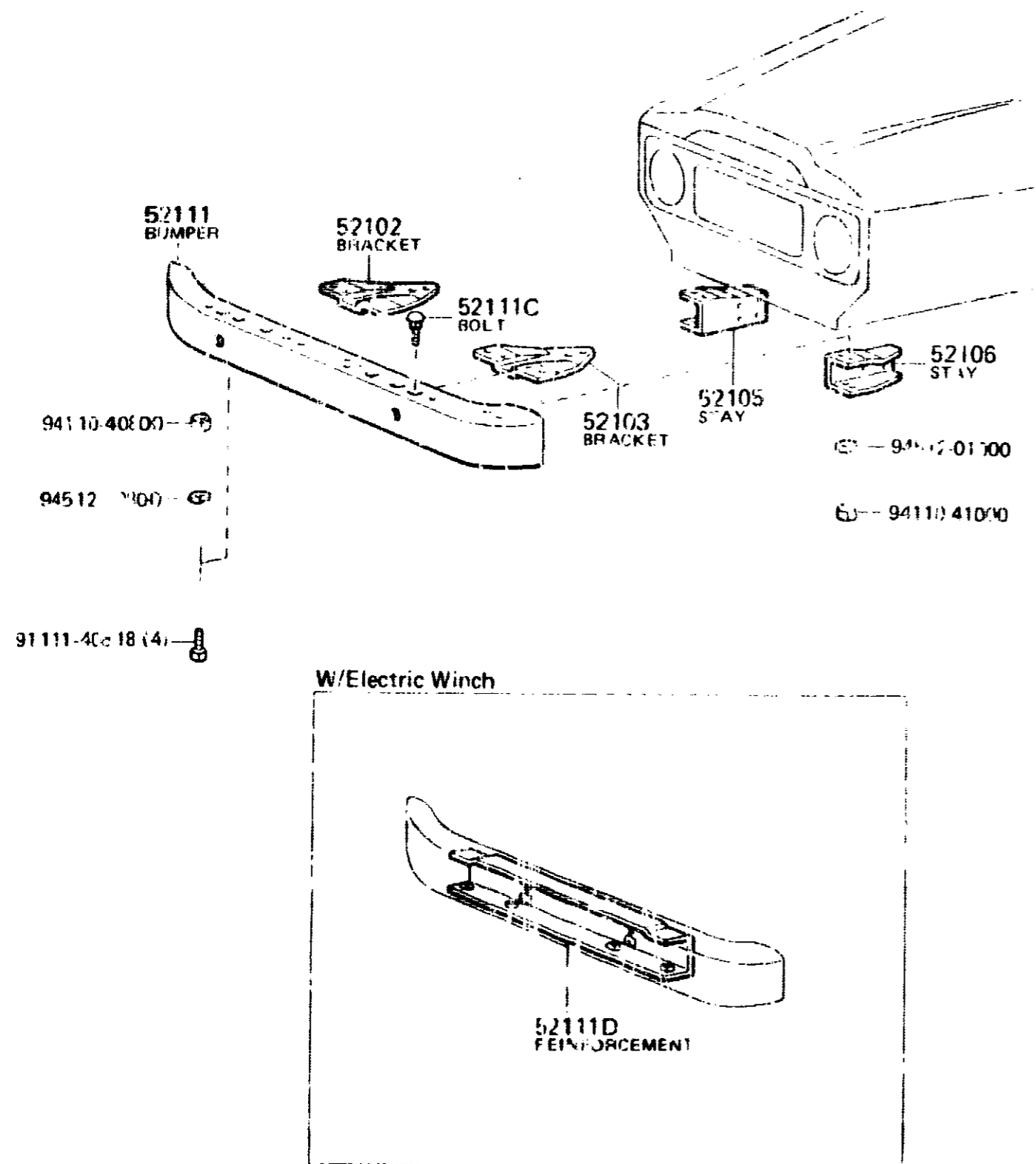
Front Disc Brake Caliper

2-B7 (47-03) 18



Brake Booster

(8008- )



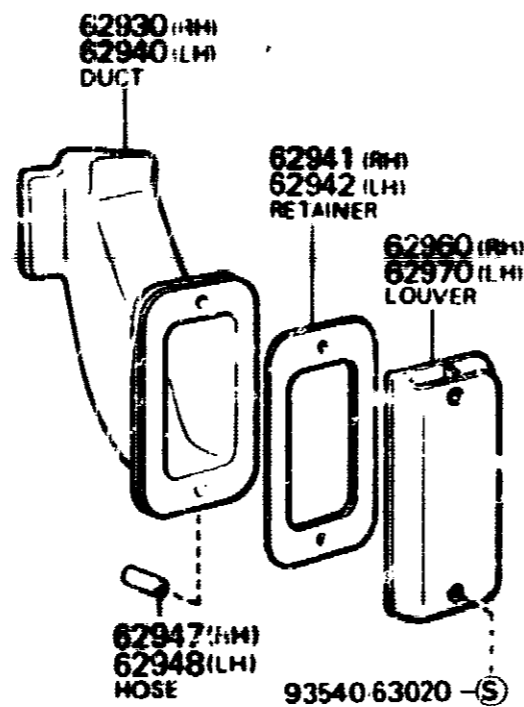
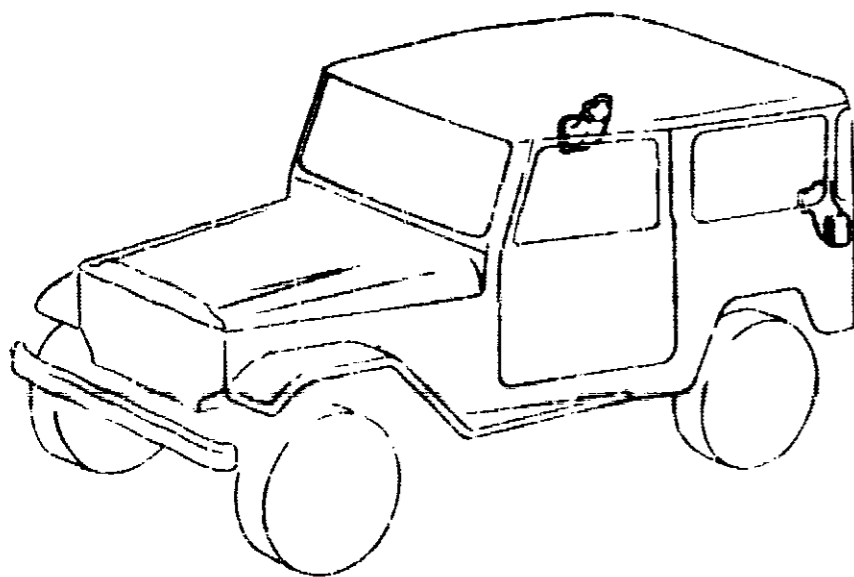
MR 8513A

PROC. DATE	MODELS	DESCRIPTION	R/P	PART NUMBER	QTY	REV. REF. CODE	
						FROM	UP TO
FIG.	52-52	FRONT BUMPER & BUMPER STAY					
8008-8410	BJ42, FJ40	BRACKET SUB-ASSY, FRONT BUMPER, RH		52116-60010-	1	1	80
8008-8410	BJ42, FJ40	BRACKET SUB-ASSY, FRONT BUMPER, LH		52116-60010-	1	1	80
8008-8410	BJ42, FJ40	STAY SUB-ASSY, FRONT BUMPER, RH		52141-60011-	1	1	80
8008-8410	BJ42, FJ40	STAY SUB-ASSY, FRONT BUMPER, LH		52142-60011-	1	1	80
8008-8410	BJ42, FJ40	BUMPER ASSY, FRONT		52111-60030-	1	1	80
8008-8211	BJ42, FJ40	BOLT, ROUND HEAD SQUARE NECK (FOR FRONT BUMPER)		90112-10004-	6	1	
8211-8410	BJ42, FJ40			90112-10016-	6		80
8003-8410	BJ42, FJ40	REINFORCEMENT, FRONT BUMPER W/ELECTRIC WINCH		52131-60010-	1	1	80



PROD. DATE	MODELS	DESCRIPTION	R/P	P. NUMBER	QTY	REV. REF. CODE		PROD. DATE	MODELS	DESCRIPTION	R/P	PART NUMBER	QTY	REV. REF. CODE	
						FROM	UP TO							FROM	UP TO
8008-8410	BJ42, FJ40	HINGE SUB-ASSY, WINDSHIELD SUPPORT, LH		56307-90302--	1	1	80								
8008-8110	FJ40, TF	RAIL, WINDSHIELD FRAME, UPPER		56313-90300-	1	1	0								
8008-8410	BJ42, FJ40	BRACKET, WINDSHIELD CATCH, UPPER		56457-60010-	2	1	80								

(8008- )CND



MB 8820-B

PROG. DATE	MODELS	DESCRIPTION	R P	PART NUMBER	QTY	REV. REF. CODE	
						FROM	UP TO
FIG.	61-55	REAR VENTILATOR & ROOF VENTILATOR					
		1 62930 1 DUCT ASSY, ROOF SIDE VENT, RH					
6008-8410	BJ42, FJ40..CND			62930-90300-	1	1	80
		1 62940 1 DUCT ASSY, ROOF SIDE VENT, LH					
8008-8410	BJ42, FJ40..CND			62940-90300-	1	1	80
		1 62941 1 RETAINER, ROOF SIDE VENT DUCT, RH					
8008-8410	BJ42, FJ40..CND			62941-90300-	1	1	80
		1 62942 1 RETAINER, ROOF SIDE VENT DUCT, LH					
8008-8410	BJ42, FJ40..CND			62941-90300-	1	1	80
		1 62947 1 HOSE, ROOF SIDE VENT, RH					
8008-8410	BJ42, FJ40..CND			90445-04001-	1	1	80
		1 62948 1 HOSE, ROOF SIDE VENT, LH					
8008-8410	BJ42, FJ40..CND			90445-04001-	1	1	80
		1 62960 1 LOUVER ASSY, ROOF SIDE VENT, RH					
6008-8410	BJ42, FJ40..CND			62931-89103-	1	1	80
		1 62970 1 LOUVER ASSY, ROOF SIDE VENT, LH					
8008-8410	BJ42, FJ40..CND			62931-89103-	1	1	80

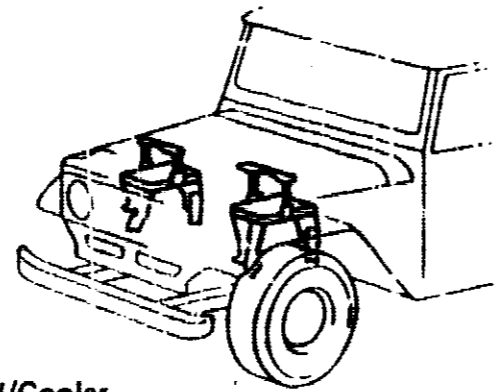
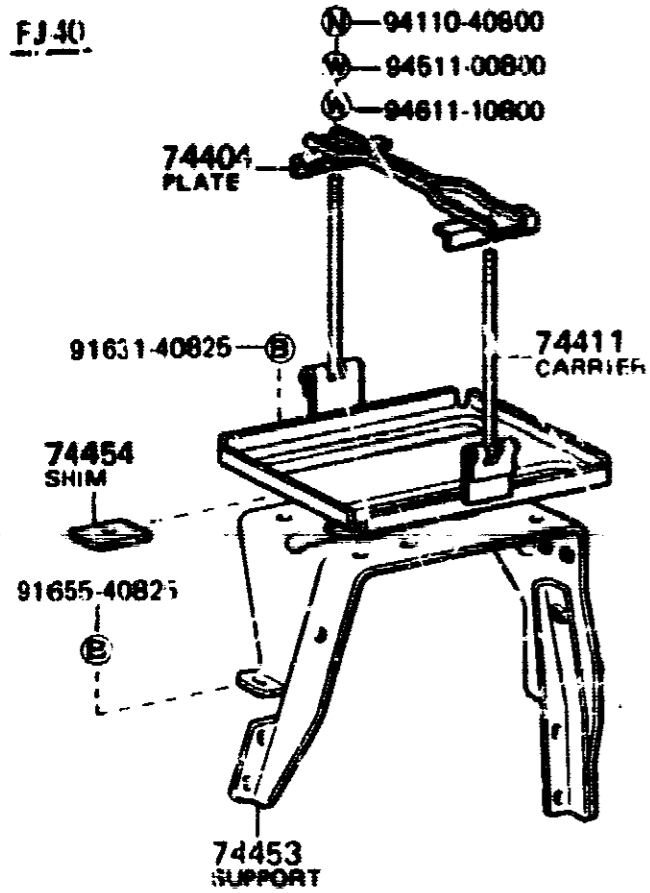
PROD. DATE	MODELS	DESCRIPTION	R/P	PART NUMBER	QTY	REV. REF. CODE	
						FROM	UP TO
FIG.	67-61	BACK DOOR PANEL & GLASS					
		↑ 64901A   GATE SUB-ASSY, REAR DROP					
8007-8110	FJ40..TP			64901-90316-	1	1	6
		↑ 64904   WEATHERSTRIP SUB-ASSY, BACK DOOR					
8008-8410	BJ42, FJ40..V	RH		68291-90302-	1	1	80
8008-8410	BJ42, FJ40..V	LH		68292-90302-	1	1	80
		↑ 64923   CUSHION, REAR DROP GATE, LOWER					
8008-8110	FJ40..TP			64923-90300-	1	1	6
		↑ 64924   CUSHION, REAR DROP GATE, SIDE					
8008-8110	FJ40..TP			64922-90302-	2	1	6
		↑ 67005   PANEL SUB-ASSY, BACK DOOR					
8110-8203	BJ42, FJ40	RH		67005-90813- (67005-90815-)	1	7	
8110-8203	BJ42, FJ40	LH		67006-90810- (67006-90814-)	1	7	
8203-8410	BJ42, FJ40	RH		67005-90815-	1		80
8203-8410	BJ42, FJ40	LH		67006-90814-	1		80
8008-8110	BJ42, FJ40..V	LH		64902-90306- (67096-90310-)	1	1	6
8008-8110	BJ42, FJ40..V	RH		67005-90806- (67005-90815-)	1	1	6
		↑ 67151A   COVER, BACK DOOR SERVICE HOLE, NO. 1					
8008-8010	BJ42, FJ40..V			67129-90301- (67347-90800-)	1	1	
8010-8410	BJ42, FJ40..V			67847-90800-	1		80
		↑ 67398   PROTECTOR, BACK DOOR HARNESS					
8008-8410	BJ42, FJ40..V			67398-90801-	1	1	80
		↑ 67587   SPACER, BACK DOOR WEATHERSTRIP					
8008-8410	BJ42, FJ40..V	RH		68295-90300-	1	1	80
8008-8410	BJ42, FJ40..V	LH		68296-90300-	1	1	80

PROD. DATE	MODELS	DESCRIPTION	R/P	PART NUMBER	QTY	REV. REF. CODE	
						FROM	UP TO
		↑ 68131   GLASS, BACK DOOR					
8006-8410	BJ42, FJ40..V	XTEM, T=4.0		68131-90303-	2	1	80
8008-8410	BJ42, FJ40..V	XTT, T=4.0		68131-90304-	2	1	80
		↑ 68291   WEATHERSTRIP, BACK DOOR GLASS					
8008-8410	BJ42, FJ40..V			68291-60030-	2	1	80

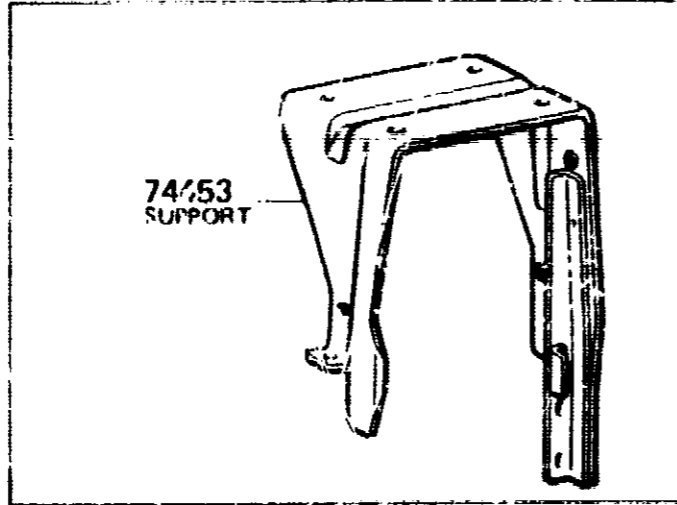
\*TEM=Tempered  
\*TT=Tinted Tempered

(8008- )

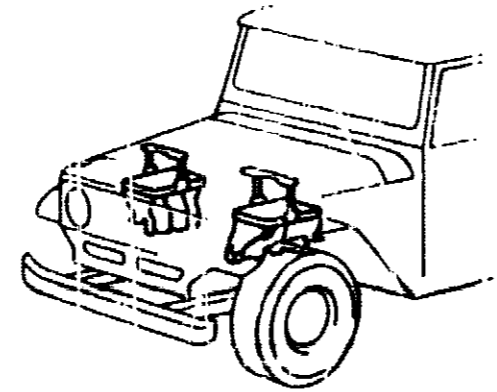
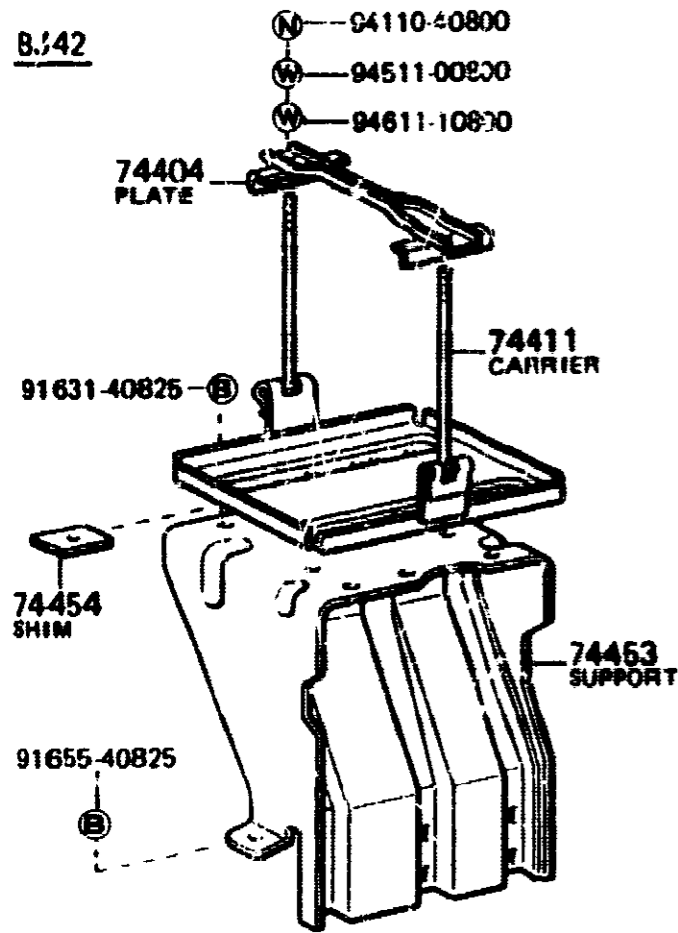
FJ40



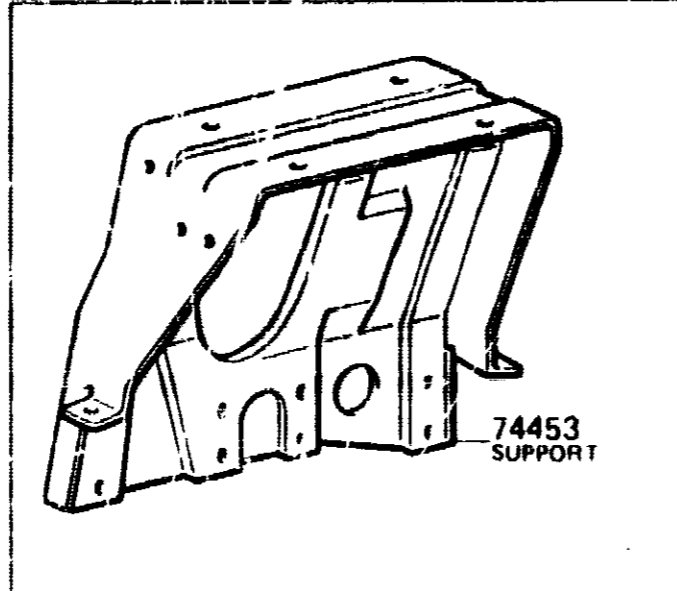
W/Cooler



BJ42



LH

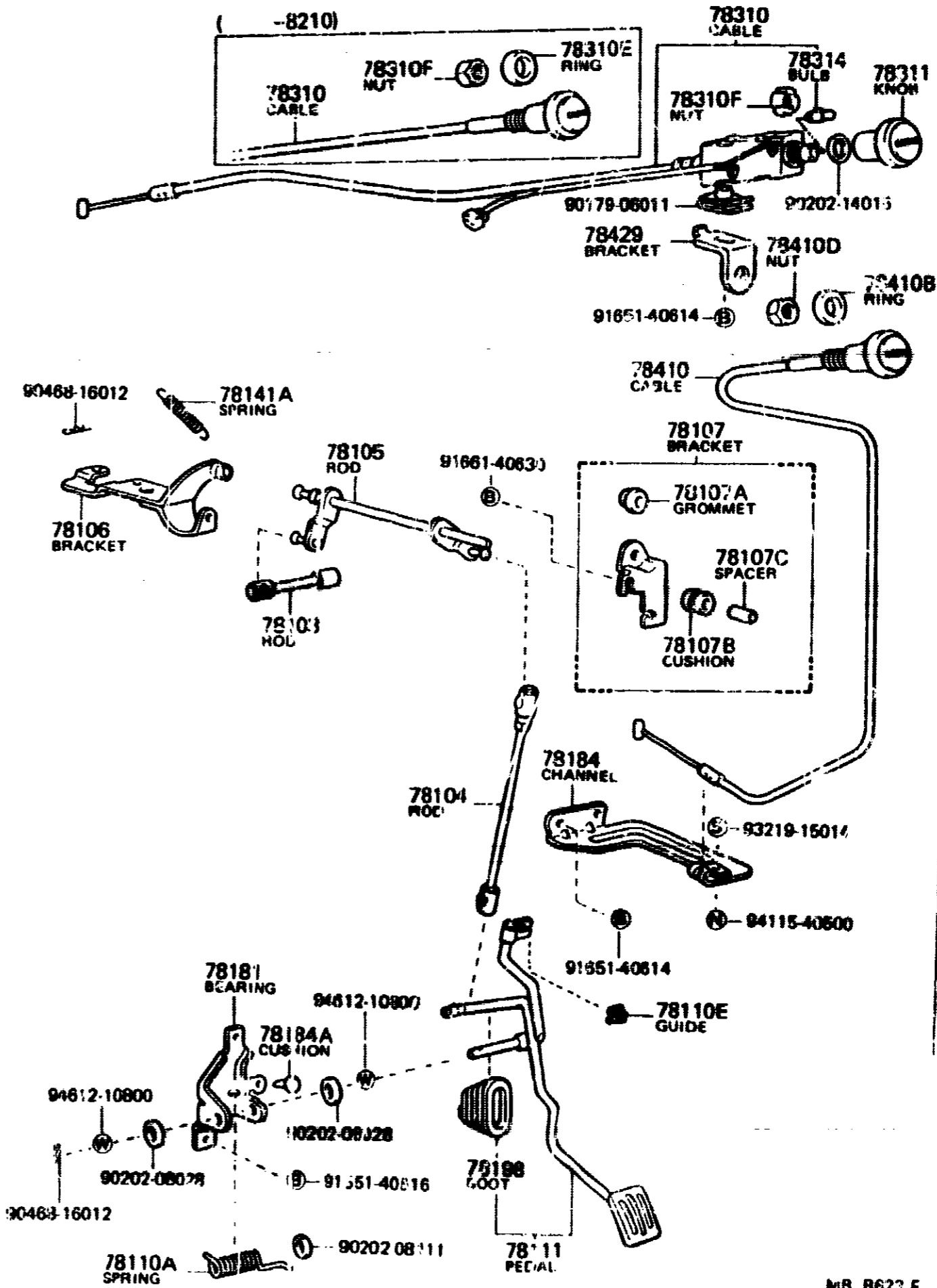
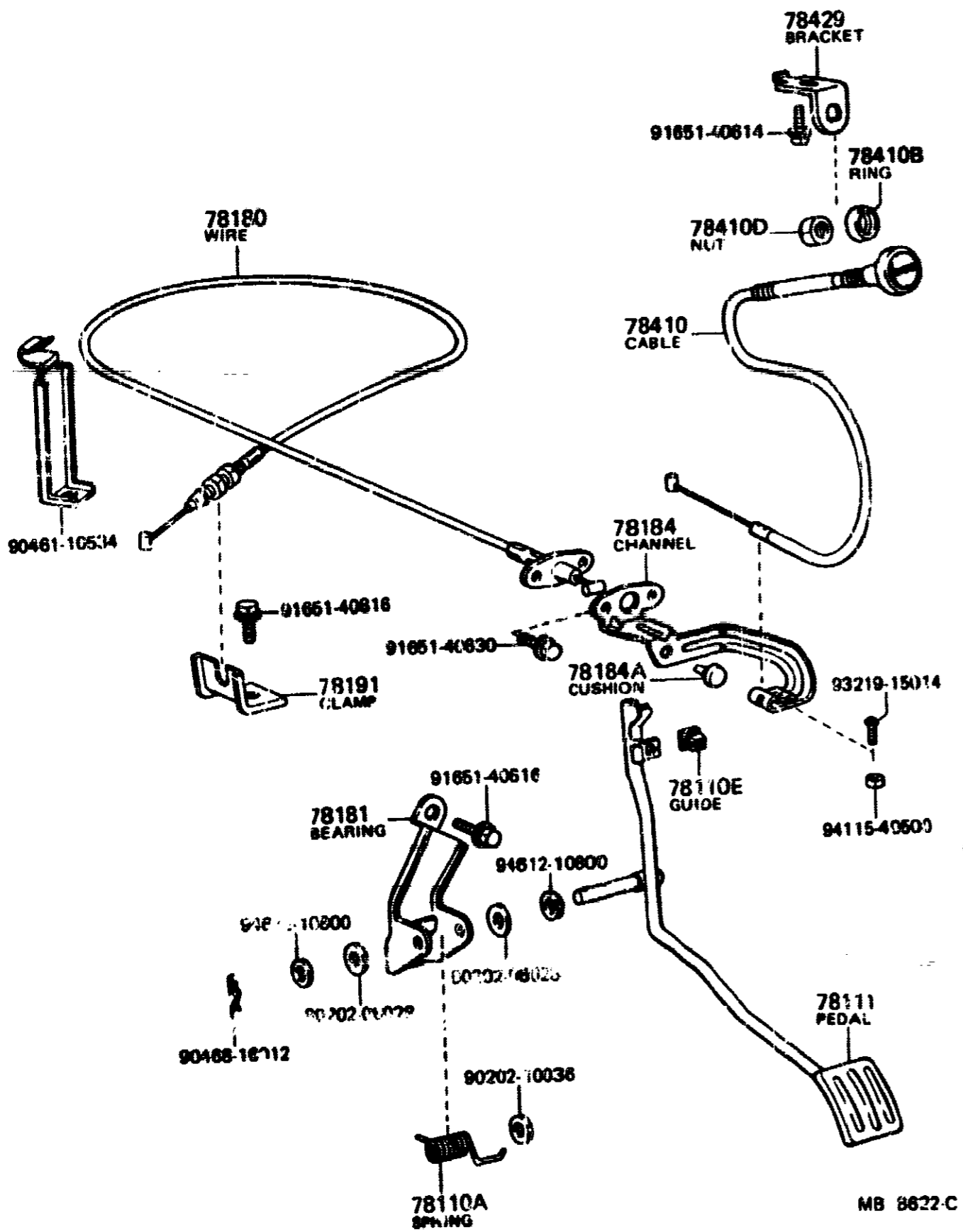


MB 1799 B

PROD. DATE	MODELS	DESCRIPTION	PART NUMBER	QTY	REV. REF. CODE	
					FROM	UP TO
FIG.	74-54 BATTERY CARRIER					
		74404 PLATE SUB-ASSY, BATTERY SET				
8008-8410	BJ42		74404-60060-	2		80
8008-8309	FJ40			1	1	
		74411 CARRIER, BATTERY				
8008-8410	BJ42		74404-60050-	2	1	80
8008-8309	FJ40			1	1	
		74453 SUPPORT, BATTERY CARRIER				
8008-8110	BJ42	LH	# 74402-60010- (74402-60011-)	1	1	6
8008-8410	BJ42	RH	74401-60031-	1	1	80
8110-8410	BJ42	LH	74402-60011-	1	7	80
8008-8309	FJ40		74401-60022-	1	1	
8008-8309	FJ40..V..USA	W/COOLER	74401-60061-	1	1	
		74454 SHIM (FOR BATTERY CARRIER SUPPORT)				
8008-8410	BJ42		52321-55010-	8	1	80
8008-8309	FJ40			4	1	

(8008- )BJ42

(8008-8309)FJ40

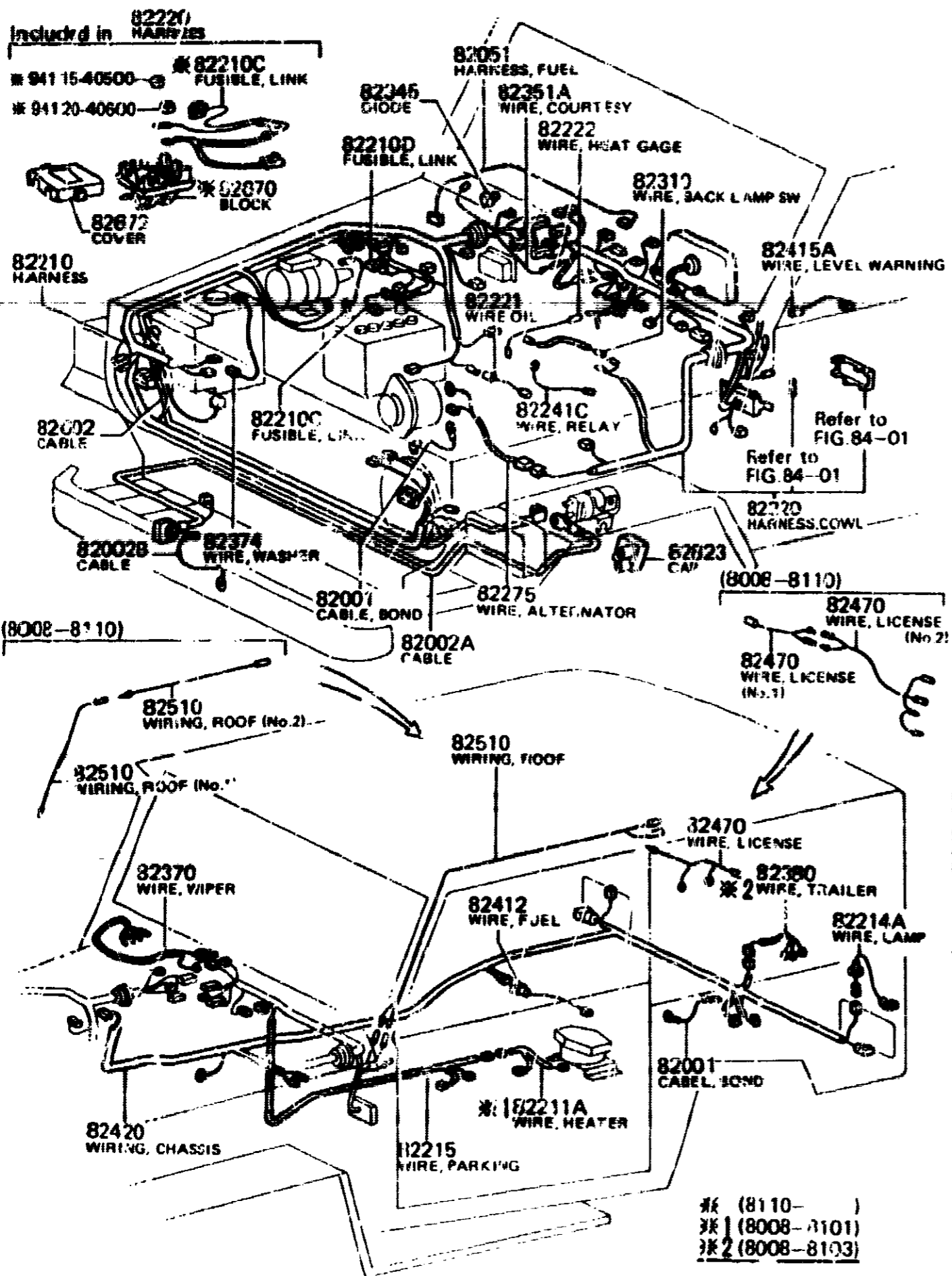


(8008- )

(8008- )

ILLUST. NO. 10F2

ILLUST. NO. 20F2



ME 9232-F

ME9232F

NO.	①	②	③	④	⑤
TYPE					
PART NO.	82817-90351	82818-90300	82819-90305	83719-90300	90461-06083

NO.	⑥	⑦	⑧	⑨	⑩
TYPE					
PART NO.	831-06671	90461-08026	90461-08116	90461-08202	90461-08206

NO.	⑪	⑫	⑬	⑭	⑮
TYPE					
PART NO.	90461-08205	90461-08385	90461-10274	90462-10047	90461-10476

NO.	⑯	⑰	⑱	⑲	⑳
TYPE					
PART NO.	90461-10875	90461-10893	90461-12543	82711-12200	90463-04079

NO.	㉑	㉒	㉓	㉔	㉕
TYPE					
PART NO.	90463-08030	90463-08207	90463-08375	90463-08432	90463-10010

ME 9233A

ME9233A MW-11-0181

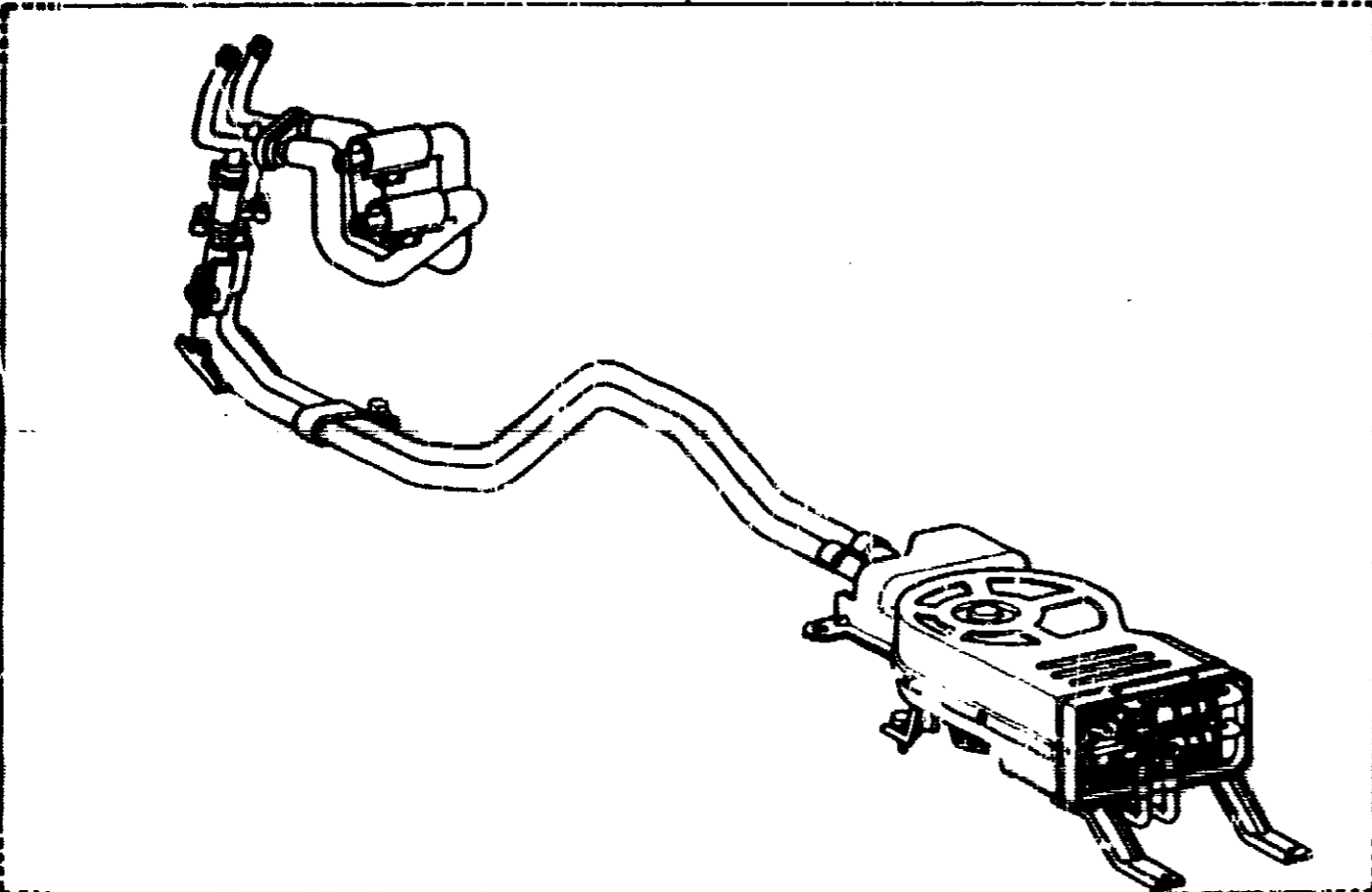


(8008- )

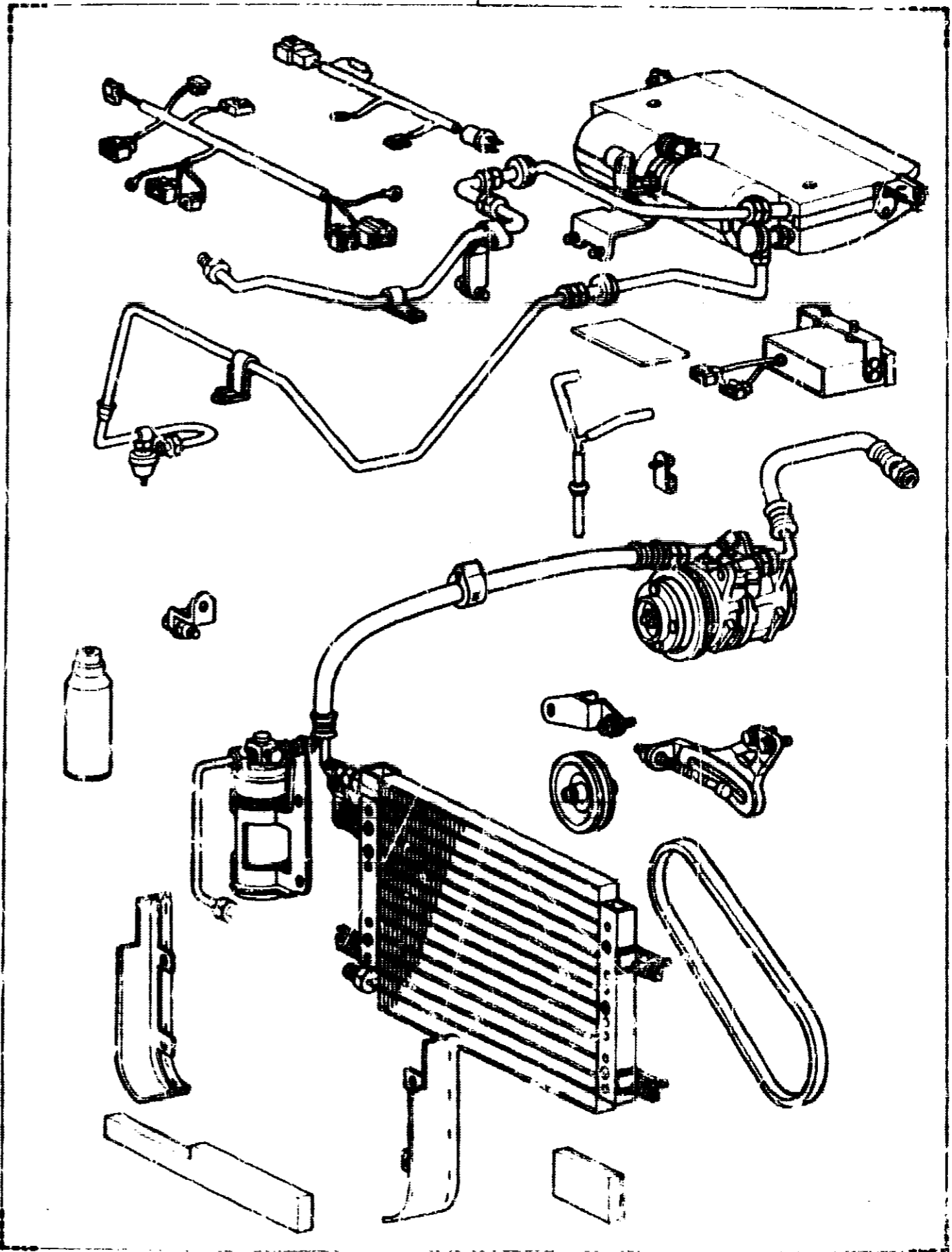
(8008-8309)FJ40..V..USA

87200  
HEATER & ACCESSORY

88300  
COOLER & ACCESSORY

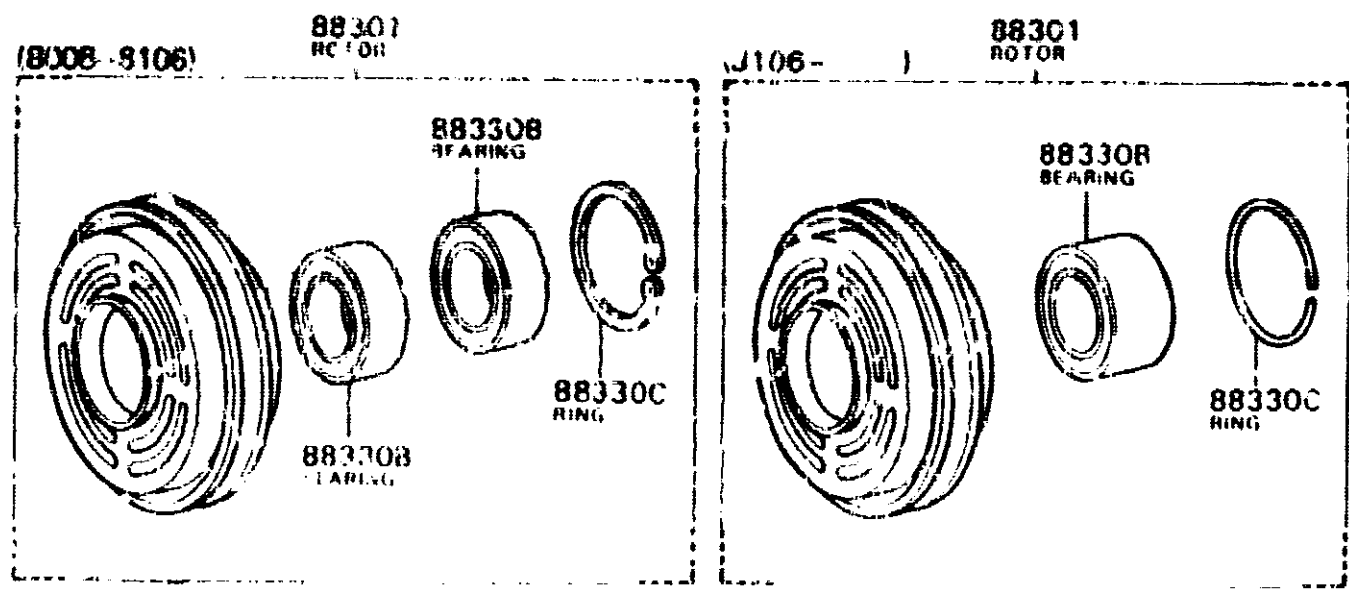
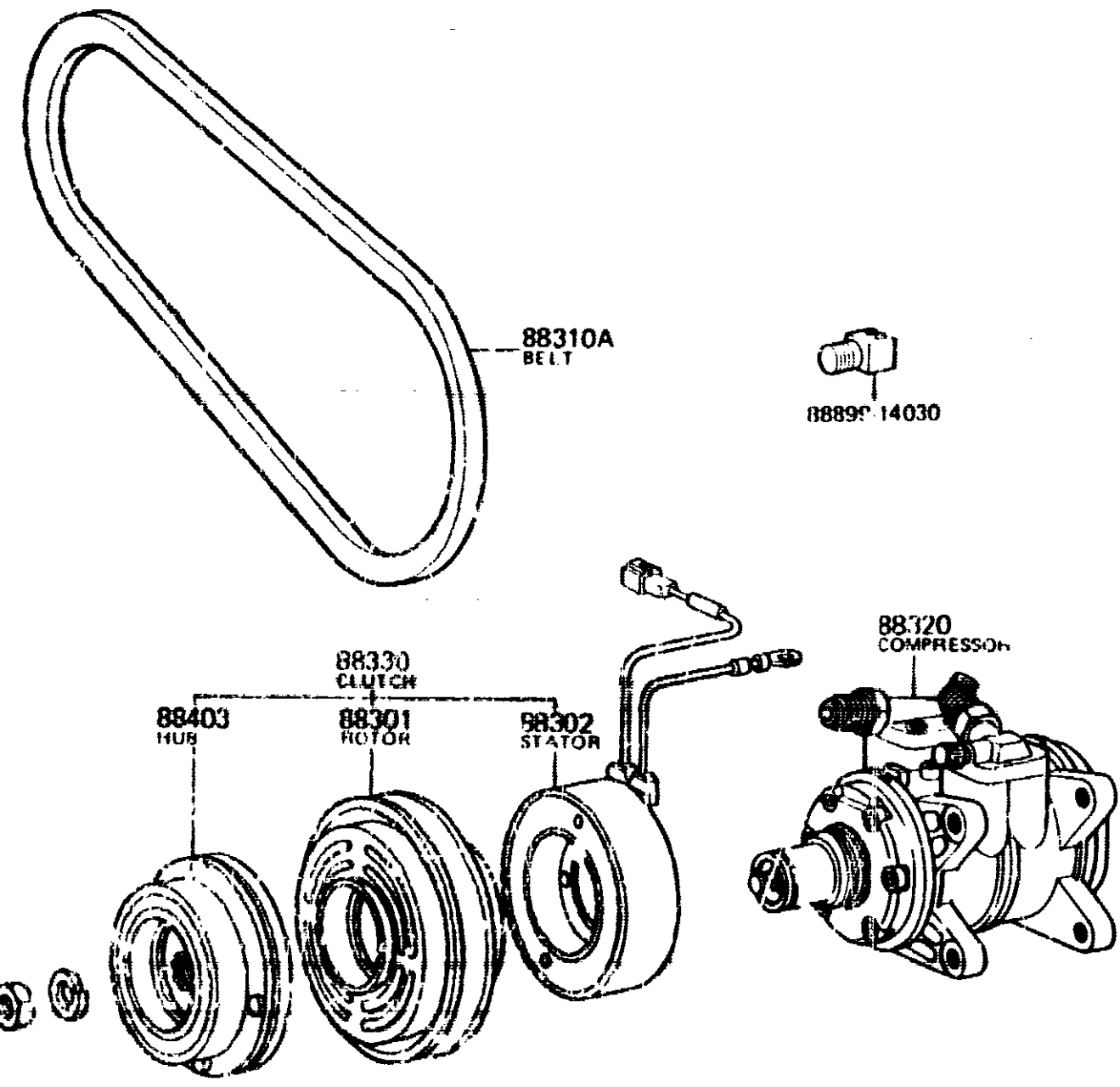
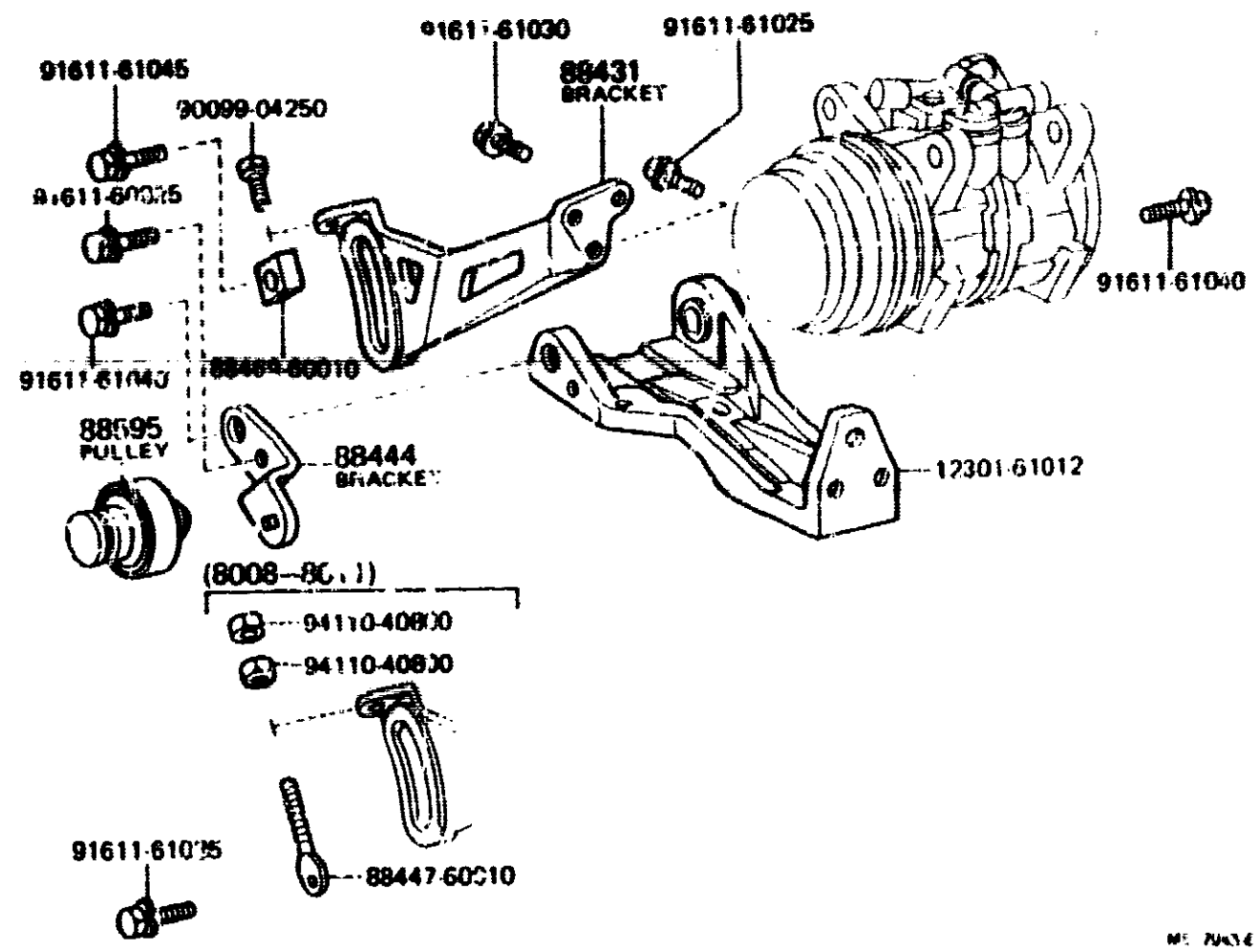


ME 9447A



ME 7932





## GASKET

H12

## GASKET - GEAR




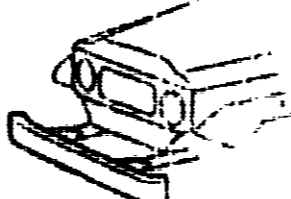
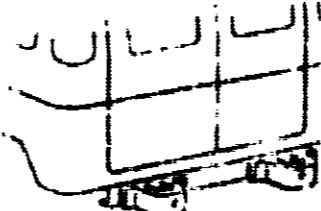
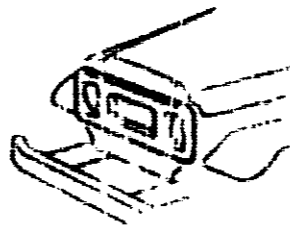

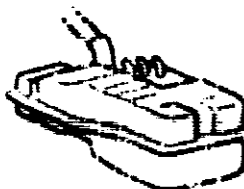
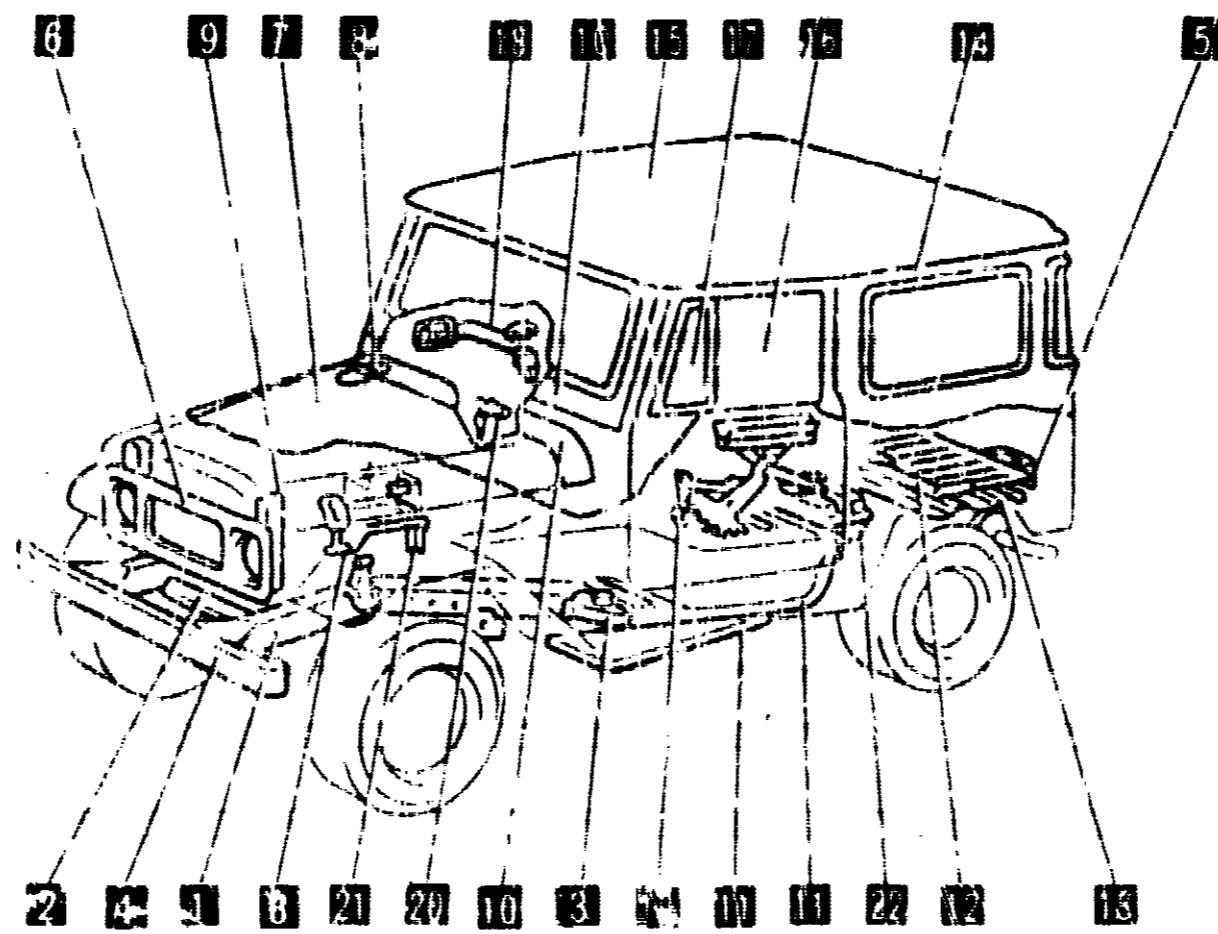
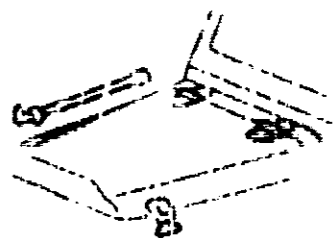

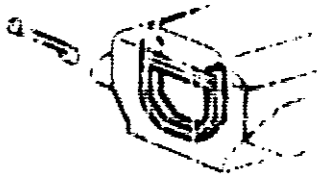
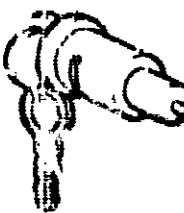

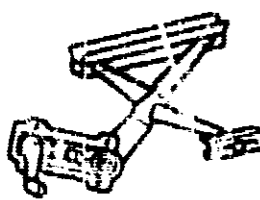

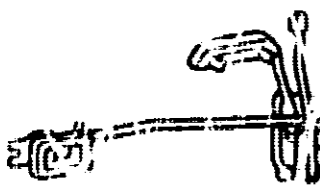
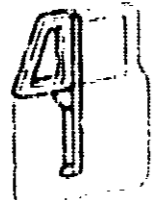

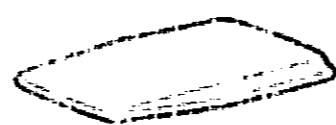



PART	NAME	LOCATION
GASKET (FOR FLUID OUTLET PLUG)		2-M6
GASKET (FOR FRONT AXLE HOUSING PLUG)		2-A5
GASKET (FOR FUEL TANK CAP)		3-E6
GASKET (FOR FUEL TANK SUCTION TUBE)		3-E6
GASKET (FOR FUEL TANK)		3-E6
GASKET (FOR GOVERNOR HOUSING)		1-L7
GASKET (FOR INJECTION PUMP HOUSING)		1-L7
GASKET (FOR INJECTION PUMP OUTLET PIPE)		1-C5
GASKET (FOR MASTER CYLINDER)		2-M6
GASKET (FOR OIL FILLER CAP)		1-H1
GASKET (FOR OIL PAN DRAIN PLUG)		1-K1
GASKET (FOR OIL PUMP OUTLET PIPE)		1-B3
GASKET (FOR OIL STRAINER)		1-B3
GASKET (FOR QUARTER OR SIDE WINDOW LOCK OR HINGE)		3-F3
GASKET (FOR REAR AXLE HOUSING FILLER PLUG)		2-F4
GASKET (FOR TRANSFER CASE)		2-L2
GASKET (FOR WARNING SWITCH)		1-F8
GASKET (FOR WINCH CONTROL SWITCH)		2-B4
GASKET KIT, CARBURETOR		1-L6
GASKET KIT, CLUTCH UNDER COVER		1-A2
GASKET KIT, COJLER COMPRESSOR OVERHAUL		3-I10
GASKET KIT, ENGINE OVERHAUL		1-E1
GASKET KIT, ENGINE VALVE GRIND		1-E1
GASKET KIT, FRONT AXLE OVERHAUL		2-A8
GASKET KIT, MANUAL TRANSMISSION OVERHAUL		2-I1
GASKET KIT, POWER STEERING CROSS SHAFT OVERHAUL		2-I5
GASKET KIT, POWER STEERING GEAR		2-I5
GASKET KIT, POWER STEERING PUMP		2-A6
GASKET, AIR CLEANER CAP		1-L4
GASKET, AIR CLEANER TO CARBURETOR		1-L4
GASKET, AIR HORN		1-C7
GASKET, AXLE OUTER SHAFT FLANGE		2-D5
GASKET, BEARING COVER		1-J7
GASKET, BRAKE DRUM OIL DEFLECTOR		2-J4
GASKET, BRAKE MASTER CYLINDER		2-A7
GASKET, CHECK VALVE CHAMBER PLUG		1-A8
GASKET, CLUTCH UNDER COVER, NO.1		1-A2
GASKET, CLUTCH UNDER COVER, NO.2		1-A2
GASKET, CLUTCH UNDER COVER, NO.3		1-A2
GASKET, CLUTCH UNDER COVER, NO.4		1-A2
GASKET, CLUTCH UNDER COVER, NO.5		1-A2
GASKET, CLUTCH UNDER COVER, NO.6		1-A2
GASKET, CLUTCH UNDER COVER, NO.7		1-A2
GASKET, CONTROL SHIFT LEVER RETAINER (FOR FLOOR SHIFT)		2-J2
GASKET, CYLINDER HEAD		1-G1
GASKET, CYLINDER HEAD COVER		1-H1
GASKET, DELIVERY VALVE		1-I7
GASKET, DIAPHRAGM HOUSING CAP		1-C7
GASKET, DIAHRAGM, CAP		1-C7
GASKET, DRAIN		2-A5
GASKET, DRAIN PLUG (FOR REAR AXLE HOUSING)		2-F4
GASKET, DRAIN PLUG (MTH)		2-K1
GASKET, EGR INLET		1-H3
GASKET, ENGINE REAR OIL SEAL RETAINER		1-A2
GASKET, EXHAUST MANIFOLD TO HEAD		1-F4
GASKET, EXHAUST PIPE		1-H4
GASKET, FEED PUMP PISTON PLUG		1-B8
GASKET, FILTER BOWL		1-F8
GASKET, FILTER ELEMENT		1-L4
GASKET, FREE WHEEL HUB		2-E5
GASKET, FRONT AXLE DIFFERENTIAL CARRIER		2-A5
GASKET, FRONT END PLATE		1-M1
GASKET, FRONT TURN SIGNAL LAMP LENS, LH		3-L6

PART	NAME	LOCATION
GASKET, FRONT TURN SIGNAL LAMP LENS, RH		3-L6
GASKET, FUEL PUMP		1-D8
GASKET, FUEL SENDER GAGE		3-F8
GASKET, INJECTION NOZZLE SEAT		1-E7
GASKET, INJECTION PUMP		1-G7
GASKET, INTAKE TO EXHAUST MANIFOLD		1-F4
GASKET, KNUCKLE SPINDLE		2-B8
GASKET, KNUCKLE SPINDLE OIL RETAINER		2-B8
GASKET, LEVEL GAGE		1-C7
GASKET, LICENSE PLATE LAMP LENS		3-B7
GASKET, MAIN JET		1-C7
GASKET, MAIN PASSAGE PLUG		1-C7
GASKET, MANIFOLD TO CYLINDER HEAD		1-F4
GASKET, NEEDLE VALVE SEAT		1-C7
GASKET, OIL COOLER		1-G5
GASKET, OIL FILTER		1-E3
GASKET, OIL FILTER BODY		1-E3
GASKET, OIL PAN		1-K1
GASKET, OIL PUMP RELIEF VALVE		1-B3
GASKET, OUTPUT SHAFT BEARING RETAINER		2-M2
GASKET, REAR AXLE HOUSING COVER		2-F4
GASKET, REAR AXLE SHAFT		2-I4
GASKET, REAR COMBINATION LAMP BODY, LH		3-M6
GASKET, REAR COMBINATION LAMP BODY, RH		3-M6
GASKET, REAR DIFFERENTIAL CARRIER		2-F4
GASKET, REAR SIDE MARKER LAMP BODY, LH		3-C7
GASKET, REAR SIDE MARKER LAMP BODY, RH		3-C7
GASKET, SECONDARY SLOW CUT VALVE		1-B7
GASKET, SECTOR SHAFT END COVER		2-K5
GASKET, SHIFT SHAFT RETAINER		2-K3
GASKET, SOLENOID VALVE		1-C7
GASKET, THERMOSTAT		1-A4
GASKET, TIMING GEAR (OR CHAIN) COVER		1-A2
GASKET, TRANSFER ADAPTER		2-K1
GASKET, TRANSFER CASE		2-M2
GASKET, TRANSFER CASE FRONT		2-M2
GASKET, TRANSFER COVER		2-M2
GASKET, TRANSFER POWER TAKE-OFF COVER		2-M2
GASKET, TRANSMISSION CASE COVER		2-F2
GASKET, TRANSMISSION CASE PLUG		2-K1
GASKET, TRANSMISSION FRONT BEARING RETAINER		2-K1
GASKET, UNION NIPPLE		1-C7
GASKET, VALVE PUSH ROD COVER		1-J1
GASKET, VENTURI		1-C7
GASKET, WATER OUTLET		1-K8
GASKET, WATER OUTLET HOUSING		1-M3
GASKET, WATER PUMP		1-I3
GASKET, WATER PUMP BODY		1-I3
GASKET, WATER PUMP COVER		1-I3
GASKET, WINCH GEAR CASE COVER		2-K3
GATE SUB-ASSY, REAR DROP		3-H4
GEAR ASSY, POWER STEERING		2-I5
GEAR OR SPROCKET, CAMSHAFT TIMING		1-K2
GEAR OR SPROCKET, CRANKSHAFT TIMING		1-I2
GEAR SUB-ASSY, BRAKE SHAFT DRIVEN		2-L3
GEAR SUB-ASSY, COUNTER SHAFT		2-K3
GEAR SUB-ASSY, REVERSE IDLER		2-C2
GEAR SUB-ASSY, SPEEDOMETER DRIVEN (MTH)		2-L1
GEAR SUB-ASSY, TRANSFER HIGH SPEED OUTPUT		2-B3
GEAR SUB-ASSY, TRANSFER LOW SPEED OUTPUT		2-B3
GEAR, BRAKE SHAFT DRIVE		2-M3
GEAR, COUNTER		2-D2
GEAR, COUNTER SHAFT 5TH		2-D2



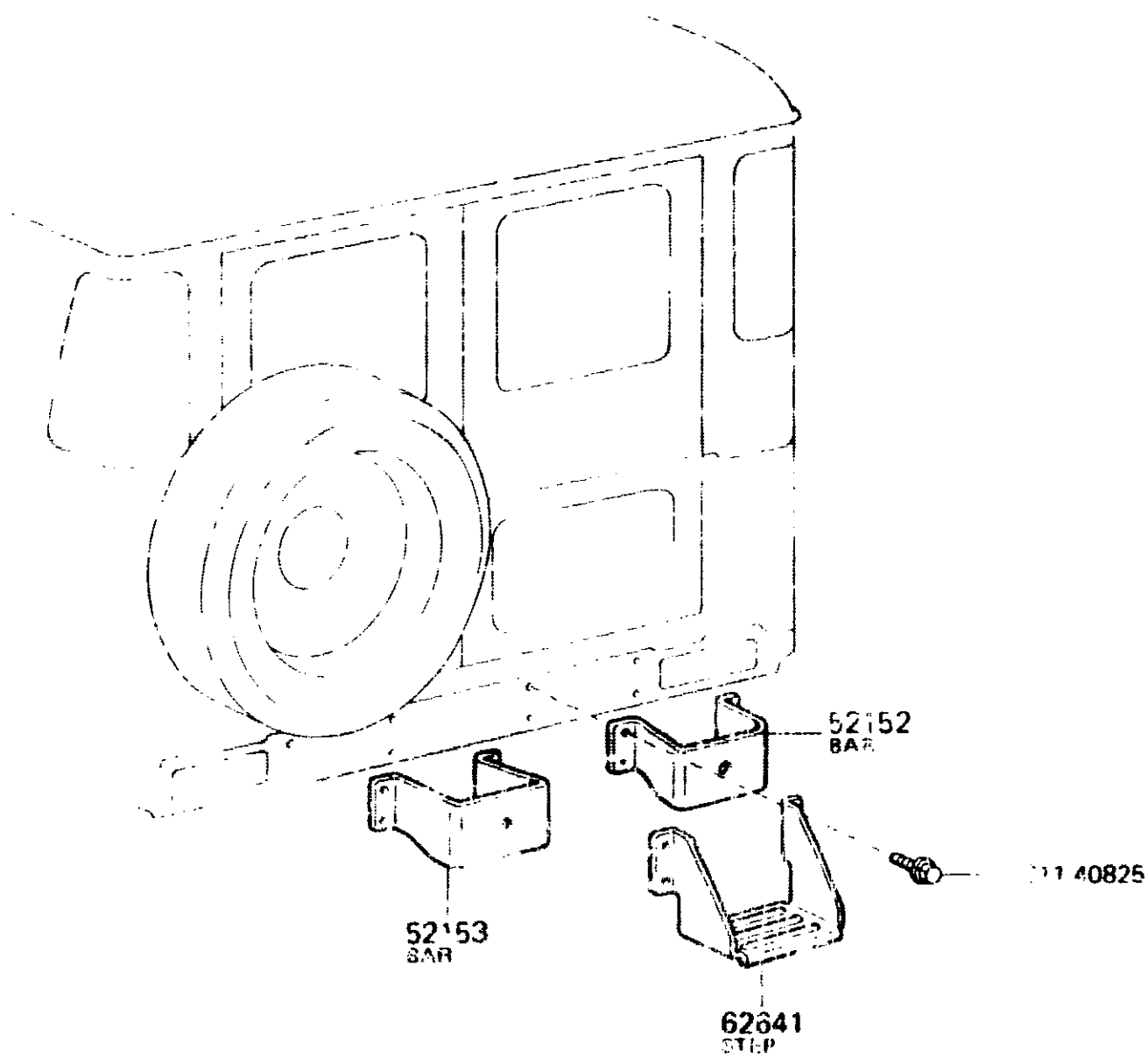
PART NUMBER	LOCATION	PART NUMBER	LOCATION	PART NUMBER	LOCATION	PART NUMBER	LOCATION	PART NUMBER	LOCATION	PART NUMBER	LOCATION
74559-20090-	3-15	77606-60021-	3-F5	81517-60210-	3-L6	82220-90849-	3-J7	83520-14021-	3-F8	85310-60030-	3-A9
-22040-	3-15	77614-60030-	3-F6	81520-69037-	3-L6	-90857-	3-J7	-55011-	3-F8	-60040-	3-A9
74603-95800-08	3-F5	77615-60020-	3-F6	-69136-	3-L6	-90866-	3-J7	-55020-	3-F8	-60060-	3-A9
74617-22010-08	3-F5	77651-60020-	3-G6	81521-60080-	3-L6	-90893-	3-J7	-60010-	3-F8	85330-60060-	3-A9
74630-90800-	3-F5	77652-60011-	3-G6	81550-60192-	3-M6	82221-90802-	3-K7	-60020-	3-F8	-60061-	3-A9
	3-J4	77653-60010-	3-G6	-60311-	3-M6	82222-90303-	3-K7	83530-14010-	3-F8	-60070-	3-A9
74671-22010-08	3-F5	77654-60010-	3-G6	81551-60180-	3-M6	-90800-	3-K7	83610-60023-	3-A8	-60071-	3-A9
74810-10010-01	3-F5	77740-60014-	3-G6	81552-26040-	3-M6	82241-90302-	3-K7	83710-09106-	3-A8	85332-20060-	3-A9
	3-J4	77759-14011-	3-G6	81557-26040-	3-A7	-90800-	3-K7	84111-20042-	3-F8	-60010-	3-A9
75101-60011-	3-M5	78014-90A00-	3-I6		3-M6	82310-90802-	3-K7	84112-60011-	3-F8	-60020-	3-A9
75102-90303-	3-M5	78060-90302-	3-I6	81560-60112-	3-M6	-90804-	3-K7	-60030-	3-F8	85333-20010-	3-A9
75136-60040-	3-M5	78101-90309-	3-I6	-60231-	3-M6	-90807-	3-K7	84210-60021-	3-F8	-20020-	3-A9
75138-60020-	3-M5	78102-90800-	3-I6	81561-60080-	3-M6	-90812-	3-K7	84222-60020-	3-F8	-60010-	3-A9
75202-90300-	3-M5	-90301-	3-I6	81562-26040-	3-M6	-90815-	3-K7	-60021-	3-F8	85338-22020-	1-B4
75216-90301-	3-M5	78103-90A00-	3-I6	81690-90300-	3-B7	-90820-	3-K7	84230-22051-	3-F8	85349-14010-	3-A9
75217-90300-	3-M5	78104-90302-	3-I6	81750-60031-	3-C7	82345-12010-	3-K7	84310-60072-	3-G8	-20010-	3-A9
75321-90301-	3-L5	78105-90800-	3-I6	-60050-	3-C7	-22010-	3-K7	84331-60022-	3-G8	85360-60010-	3-A7
75325-90301-	3-L5	78107-90303-	3-I6	81751-60020-	3-C7	82351-90800-	3-K7	84332-60021-	3-G8	85361-60060-	3-A7
75343-90301-	3-L5	78180-90804-	3-I6	81754-60030-	3-C7	82370-90314-	3-K7	84340-22060-	3-G8	85430-60010-	3-G8
75361-90800-	3-L5	-90808-	3-I6	81760-60021-	3-C7	-90801-	3-K7	-22071-	3-G8	85500-30340-	3-G8
75451-90300-	3-L5	78181-90304-	3-I6	-60060-	3-C7	82374-60020-	3-K7	-22072-	3-G8	-60020-	3-G8
75453-90300-	3-L5	78183-90A00-	3-I6	81764-60020-	3-C7	82380-90300-	3-K7	-36030-	3-G8	85533-30010-	3-G8
77001-60055-	3-E6	78199-90352-	3-I6	81850-36070-	3-E8	-90301-	3-K7	84380-20010-	3-G8	85540-36030-	3-G8
77100-60055-	3-E6	78303-90801-	3-I6	-60160-	3-E8	82381-60010-	3-K7	84450-60070-	3-G8	-60010-	3-G8
77169-14020-	3-E6	78310-90803-	3-I6	-60170-	3-E8	82412-90800-	3-K7	84460-22010-	2-M6	85550-60010-	3-G8
77193-60013-	3-E6	-90807-	3-I6	-60270-	3-E8	-90801-	3-K7	84461-30040-	3-G8	-60011-	3-G8
77201-60052-	3-E6	78311-90351-	3-I6	-60350-	3-E8	82415-90300-	3-K7	84510-60030-	3-G8	85613-31010-	1-M7
-30093-	3-E6		3-J6	-60360-	3-E8	82420-90805-	3-K7	84521-60010-	3-G8	85926-60010-	3-I8
77203-60020-	3-E6	78410-90302-	3-J6	-60440-	3-E8	-90806-	3-A	84590-36021-	3-I8	85927-60040-	3-H8
-60030-	3-E6	78441-90303-	3-I6	81879-90800-	3-C3	-90810-	3-K7	84651-60031-	3-G8	85991-22020-	3-H8
77205-60050-	3-E6	-90351-	3-I6	81910-69026-	3-D7	82422-90800-	3-K7	84652-27010-	3-G8	-60020-	3-H8
-60080-	3-E6	78442-90301-	3-J6	81916-89101-	3-C7	82470-90310-	3-K7	84730-90A01-	3-G8	-60030-	3-H8
77209-60020-	3-E6	78449-90300-	3-I6	81930-20011-	3-BE	-90801-	3-K7	84763-60010-	3-G8	-60050-	3-H8
-60021-	3-E6	81110-60200-	3-K6	-22012-	3-C8	-90802-	3-K7	84956-60020-	3-E8	85999-12050-	3-H8
77217-60015-	3-E6	-60201-	3-K6	-60010-	3-C8	82520-90802-	3-K7	-60030-	3-F8	86011-60031-	3-C9
-60030-	3-E6	-60270-	3-K6	81943-90301-	3-BE	82521-90300-	3-K7	84996-10030-	3-E7	-69015-	3-C9
77240-60040-	3-E6	-60271-	3-K6	-90302-	3-C8	-90303-	3-K7	85031-30010-	3-A9	86012-69018-	3-C9
-60050-	3-E6	81111-90117-	3-K6	81980-25040-	3-F8	82611-90301-	3-F8	85035-60050-	3-A9	86102-90301-	3-D9
77244-60021-	3-F6	81121-67010-	3-K6	-30040-	3-F8	82671-30030-	3-K7	-60061-	3-A9	86120-14520-	3-C9
-60022-	3-F6	81131-10031-	3-K6	82046-14072-	3-J7	82672-90800-	3-K7	85120-90308-	3-J8	-25020-	3-C9
-60050-	3-F6	81150-60620-	3-K6	-90302-	3-G7	82821-12130-	3-G7	-90310-	3-J8	-35025-	3-C9
-60051-	3-F6	-60011-	3-K6	-90802-	3-G7	82823-90300-	3-L7	-90311-	3-J8	-60021-	3-C9
77245-60040-	3-F6	-60091-	3-K6	82351-90800-	3-J7	83101-20040-	3-A8	-90202-	3-J8	-60030-	3-C9
77246-60050-	3-G6	-60091-	3-K6	82210-90803-	3-J7	83102-60051-	3-A8	-90804-	3-J8	-60041-	3-C9
77247-60040-	3-G6	81153-89117-	3-K6	-90804-	3-J7	-60061-	3-A8	-90805-	3-J8	86160-60011-	3-D9
77249-60020-	3-G6	-95188-	3-K6	-90805-	3-J7	83110-60133-	3-A8	-90808-	3-J8	-60012-	3-D9
77250-61040-	3-F6	81240-90300-	3-E7	-90811-	3-J7	-60152-	3-A8	-90810-	3-J8	-60013-	3-D9
-61050-	3-F6	-90301-	3-E7	-90822-	3-J7	83132-60010-	3-A3	-90811-	3-J8	-60020-	3-D9
77251-60131-	3-E6	-90800-	3-E7	-90823-	3-J7	-60020-	3-A8	85135-90300-	3-J8	-60021-	3-D9
-60151-	3-E6	-90801-	3-E7	-90836-	3-J7	-60070-	3-A8	85160-90300-	3-J8	-60022-	3-D9
77255-60081-	3-F6	81241-90300-	3-E7	-90839-	3-J7	-60090-	3-A8	-90302-	3-J8	86211-60030-	3-C9
77260-60030-	3-F6	-90800-	3-E7	-90840-	3-J7	83134-60020-	3-A8	85168-55010-	3-J8	86212-60030-	3-C9
-60070-	3-F6	81270-60071-	3-B7	-90846-	3-J7	-60090-	3-A8	85185-25040-	3-J8	86300-60010-	3-E9
77263-60021-	3-G6	-60091-	3-B7	-90866-	3-J7	83175-60010-	3-A8	85190-90305-	3-J8	86301-27011-	3-E9
77293-60030-	3-F6	81271-14010-	3-B7	82213-90800-	3-J7	83310-60014-	3-A8	85197-90300-	3-K8	86510-60120-	3-F9
77310-12090-	3-E6	81272-10010-	3-B7	82214-90800-	3-L7	63320-60051-	3-F8	85195-95700-	3-K8	-60130-	3-F9
-12100-	3-E6	81278-60090-	3-B7	82215-90302-	3-J7	83361-20030-	3-E6	85207-90800-	3-K8	86520-60110-	3-F9
-35061-	3-E6	81370-60010-	3-E7	-90803-	3-J7		3-F8	85220-90304-	3-K8	-60120-	3-F9
77316-12050-	3-E6	-60040-	3-E7	82220-10472-	3-J7	83390-60010-	3-F8	-90800-	3-K8	86591-90301-	3-F9
77519-60010-	3-F6	81402-29016-	3-F8	-90474-	3-J7	83391-12050-	3-F8	85221-90800-	3-K8	86590-25040-	3-H8
-60020-	3-F6	81510-69037-	3-L6	-90804-	3-J7	83410-60010-	3-A8	-90801-	3-K8	87104-60094-	3-K9
77601-60041-	3-F6	-69136-	3-L6	-90805-	3-J7	83420-20020-	3-F8	85291-90301-	3-K8	-60171-	3-K9
77602-60021-	3-F6	81511-60211-	3-L6	-90814-	3-J7	83510-60013-	3-A8	85292-90301-	3-K8	-60181-	3-K9
77606-60020-	3-F6	81512-60210-	3-L6	-90830-	3-J7	-60051-	3-A8	85310-20130-	3-A9	-87003-	3-K9

## ILLUSTRATED INDEX

<p>3-A1 (51-51) <b>1</b></p>  <p>Frame</p>	<p>3-C1 (51-52) <b>2</b></p>  <p>Crossmember &amp; Under Cover</p>	<p>3-F1 (52-51) <b>3</b></p>  <p>Cab &amp; Body Mounting</p>	<p>3-H1 (52-52) <b>4</b></p>  <p>Front Bumper &amp; Stay</p>	<p>3-I1 (52-53) <b>5</b></p>  <p>Rear Bumper &amp; Stay</p>	<p>3-J1 (53-51) <b>6</b></p>  <p>Radiator Grille</p>	<p>3-K1 (53-53) <b>7</b></p>  <p>Hood &amp; Front Fender</p>
<p>3-A6 (77-51) <b>20</b></p>  <p>Fuel Tank &amp; Tube</p>	<p><b>BODY GROUP (1/2)</b></p> 					<p>3-M1 (53-54) <b>8</b></p>  <p>Hood Lock &amp; Hinge</p>
<p>3-L1 (74-54) <b>21</b></p>  <p>Battery Carrier</p>						<p>3-N2 (53-55) <b>19</b></p>  <p>Front Fender Apron</p>
<p>3-L4 (67-65) <b>21</b></p>  <p>Lock Cylinder Set</p>						<p>3-G2 (55-53) <b>18</b></p>  <p>Cowl Panel &amp; Glass</p>
<p>3-E4 (67-54) <b>14</b></p>  <p>Front Door Regulator &amp; Hinge</p>						<p>3-I2 (58-51) <b>21</b></p>  <p>Front Floor Panel &amp; Member</p>
<p>3-C4 (67-53) <b>12</b></p>  <p>Front Door Lock &amp; Handle</p>	<p>3-A4 (67-52) <b>17</b></p>  <p>Ventilator Window</p>	<p>3-L3 (67-51) <b>13</b></p>  <p>Front Door Panel &amp; Glass</p>	<p>3-G3 (61-53) <b>14</b></p>  <p>Roof Panel &amp; Back Panel</p>	<p>3-B3 (61-51) <b>23</b></p>  <p>Side Member</p>	<p>3-L2 (58-53) <b>19</b></p>  <p>Floor Insulator</p>	<p>3-K2 (58-52) <b>15</b></p>  <p>Rear Floor Panel &amp; Member</p>

(8008- )

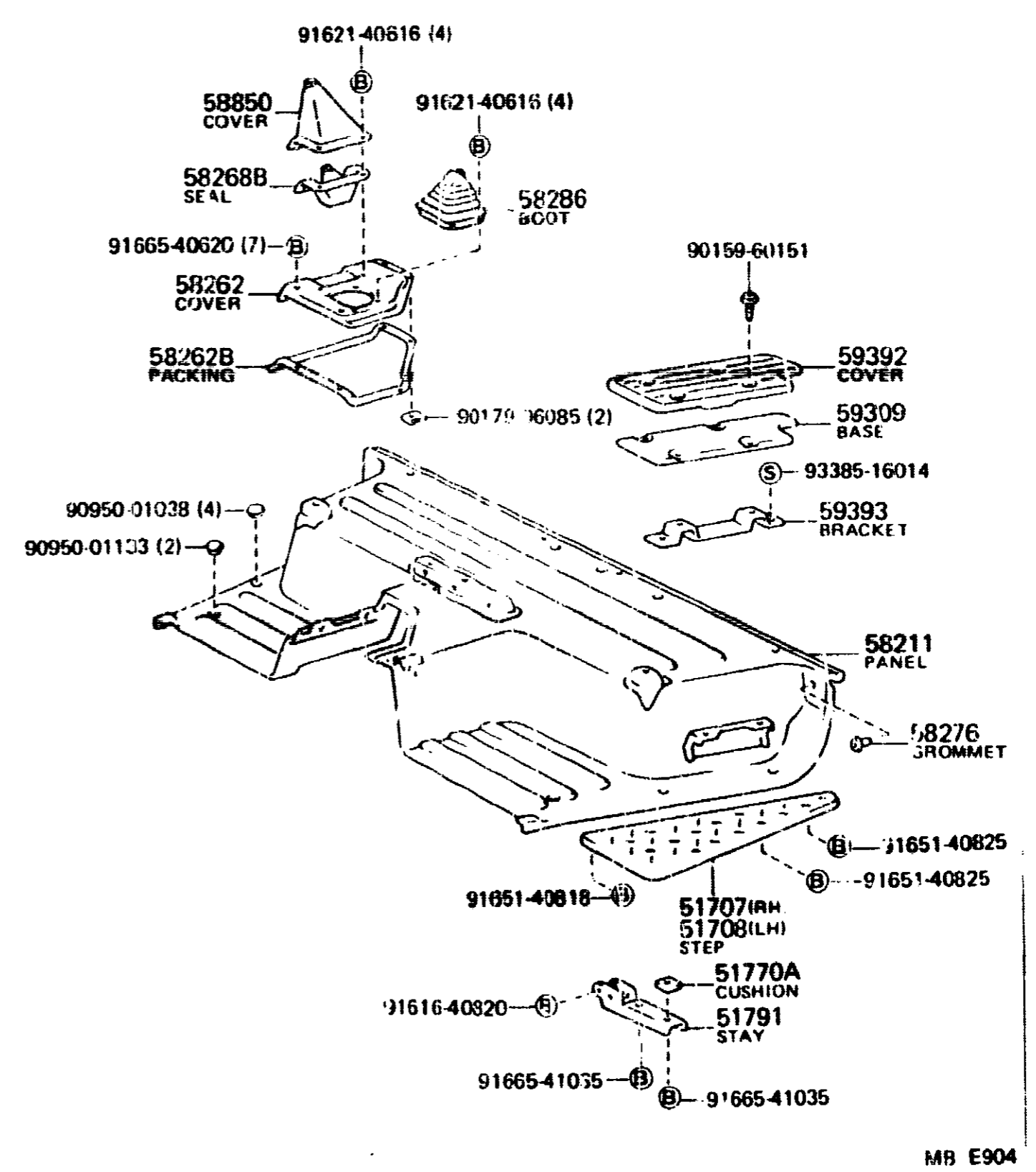
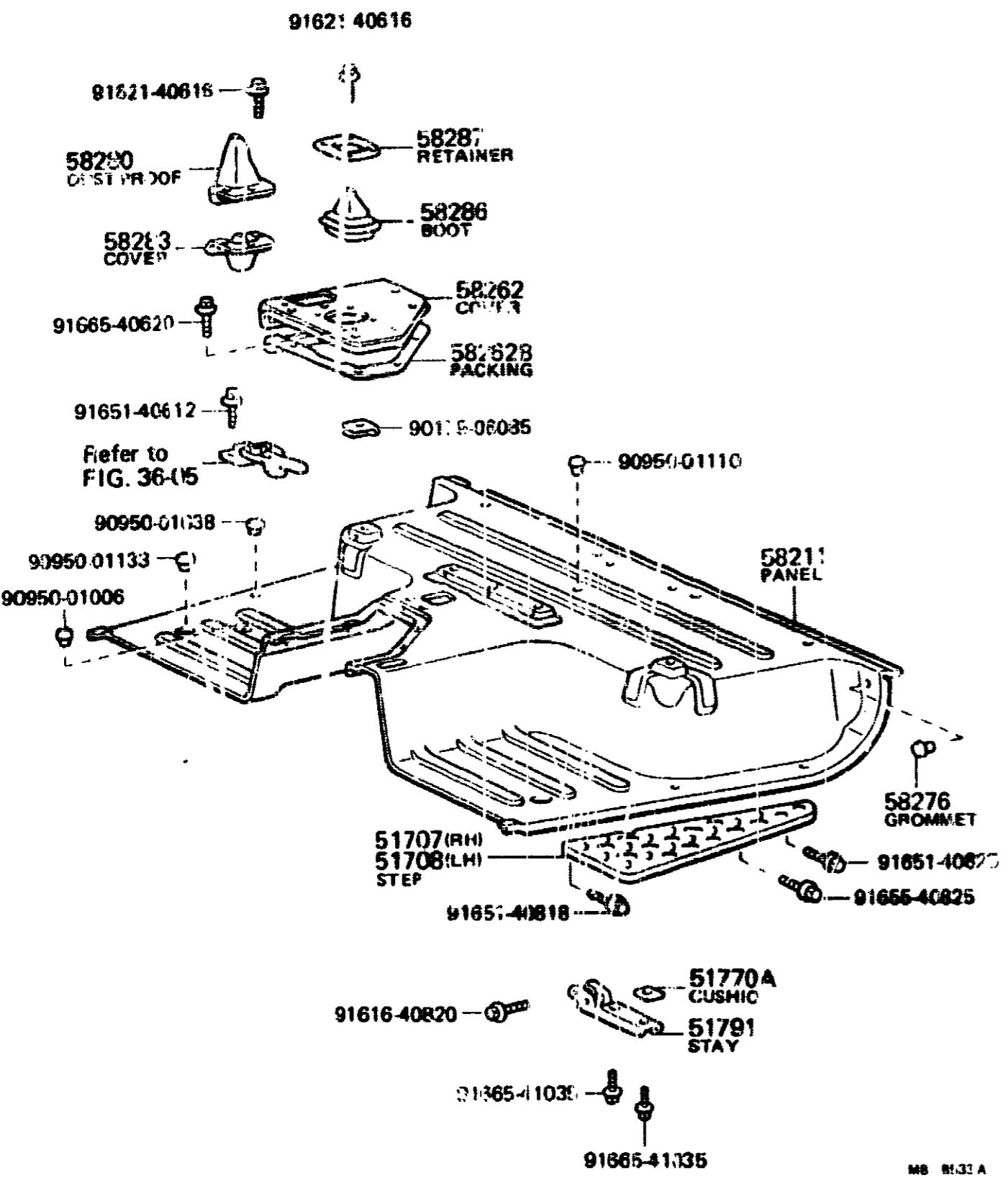
PROD. DATE	MODELS	DESCRIPTION	R/P	PART NUMBER	QTY	REV. REF. CODE	
						FROM	UP TO
	FIG. 52-53	REAR BUMPER & BUMPER STAY					
8008-8410	BJ42, FJ40	BAR, REAR BUMPER SIDE, RH		52152-60011-	1		80
8008-8410	BJ40, FJ40	BAR, REAR BUMPER SIDE, LH		52153-60011-	1		80
8008-8210	BJ42, FJ40	STEP, REAR		62641-90300-	1		18



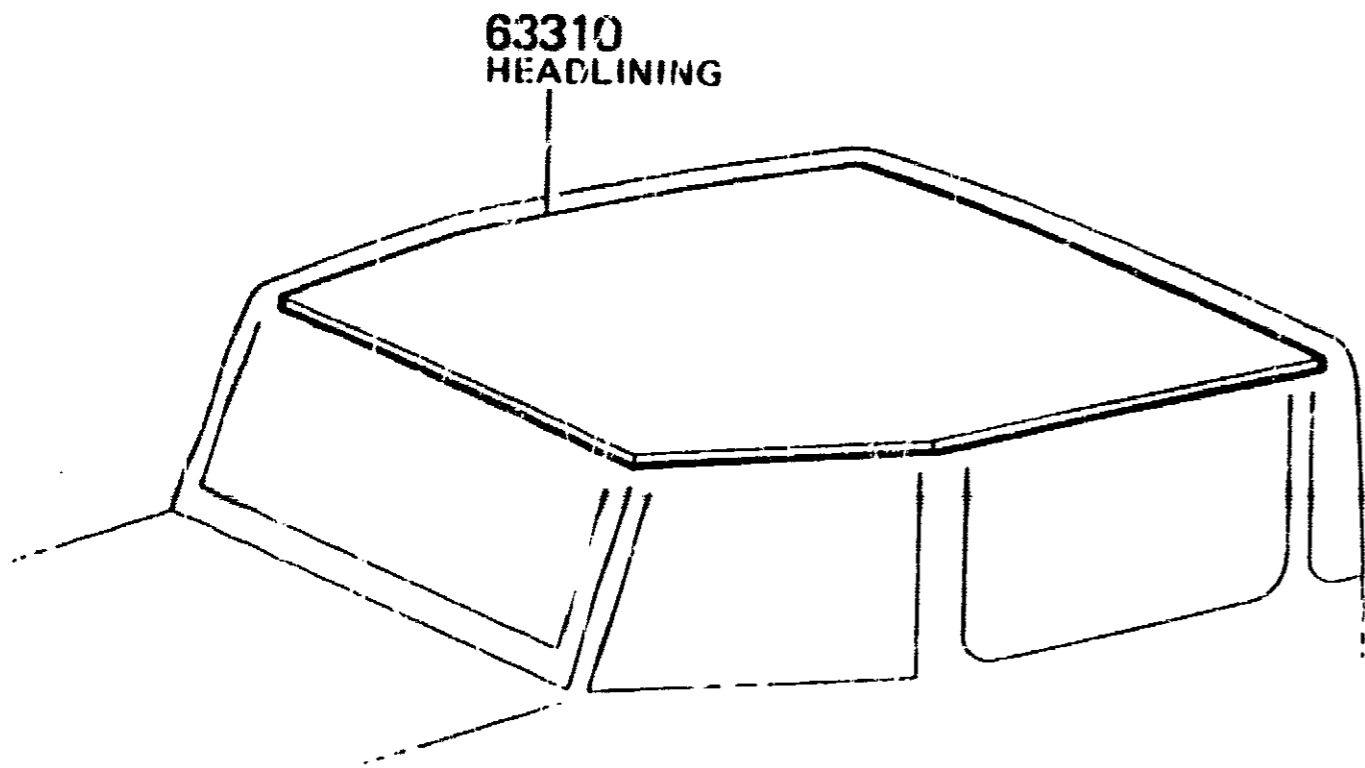
MB 8515

(8008-8210)

(8210- )



(8008- )V



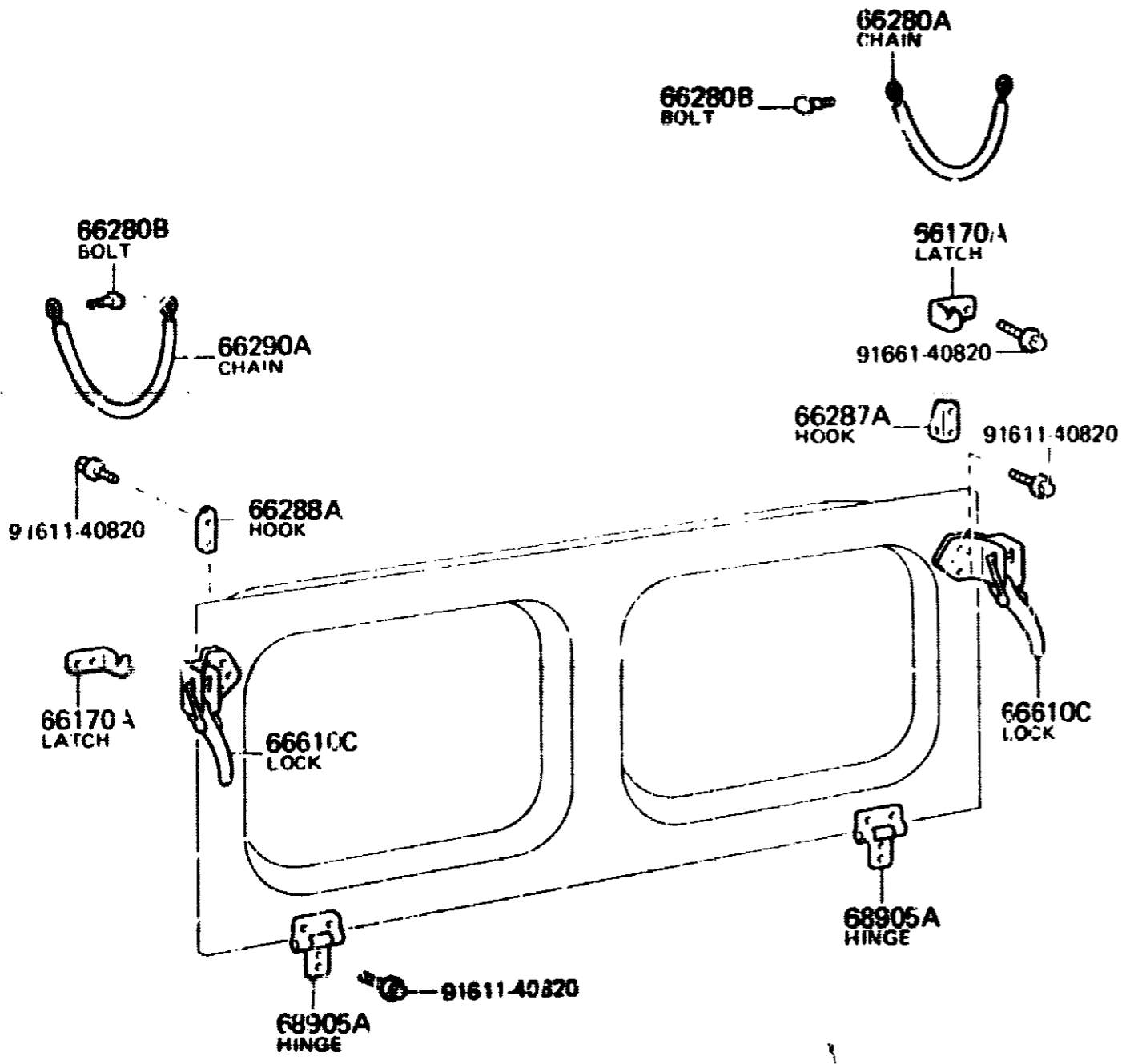
MB E905

PRCD. DATE	MODELS	DISCRIPTION	R/P	PART. NUMBER	QTY	REV. REF. CODE	
						FROM	UP TO
FIG. 8008-8410	64-52 ROOF HEADLINING & SILENCER PAD +-----+   63310   HEADLINING ASSY. ROOF +-----+ BJ42, FJ40..V			6331-90302-	1	1	80



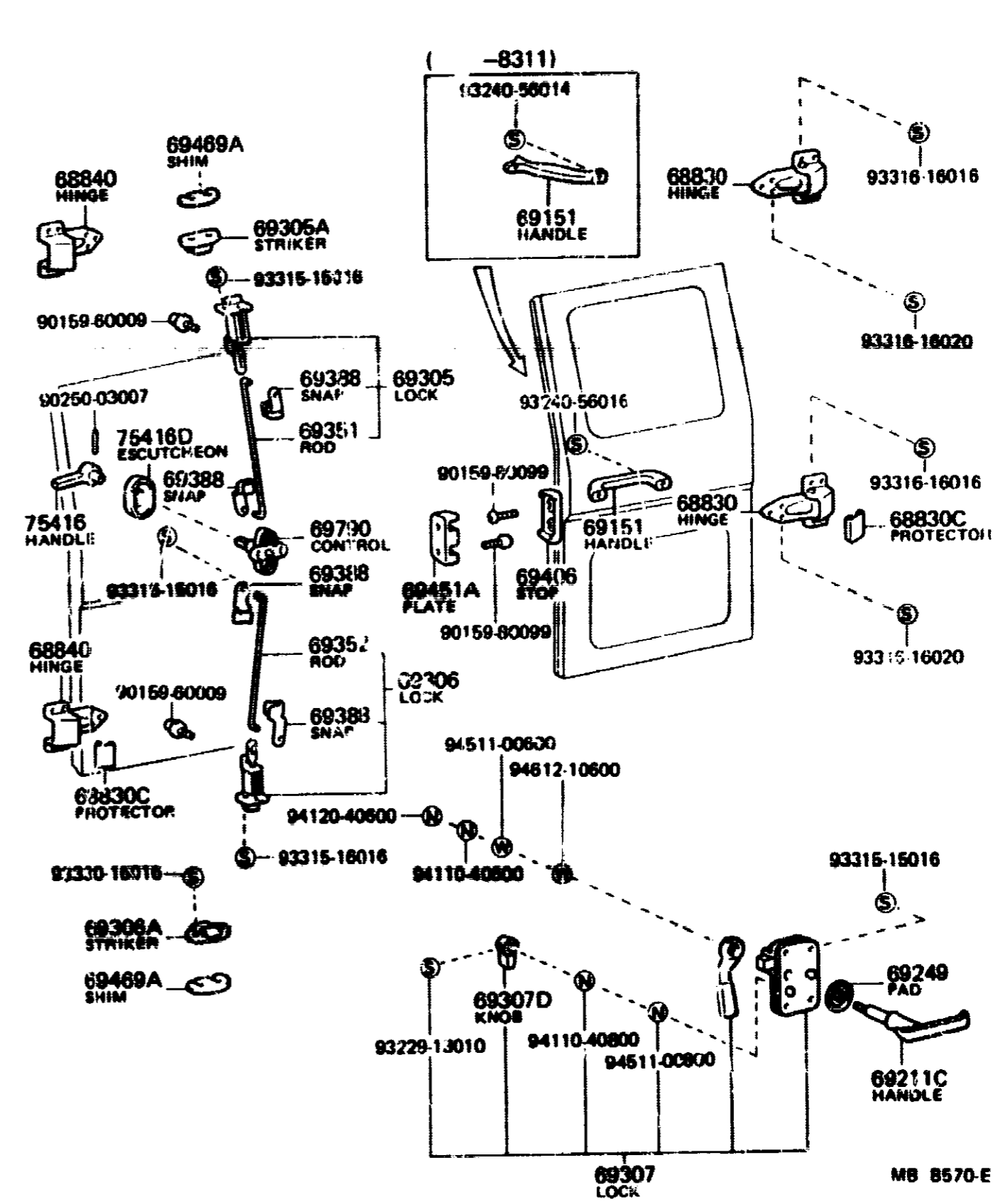
(8008-8110)TP

(8008- )V



MB 8573

MBB573

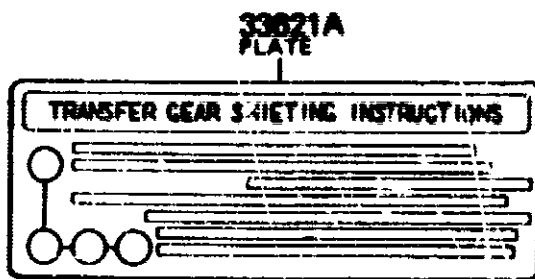
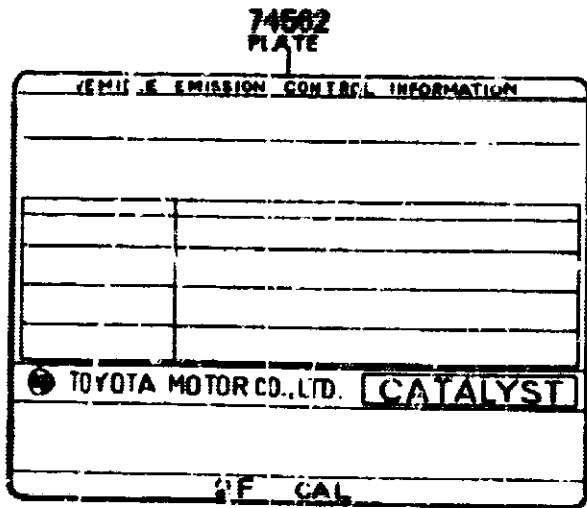
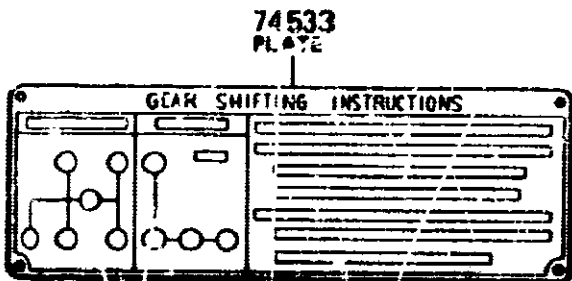
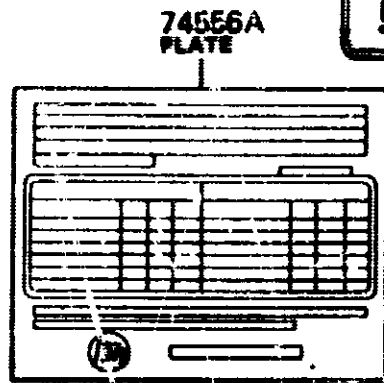
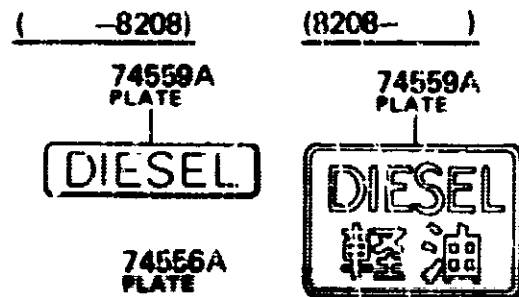
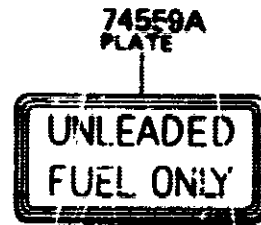
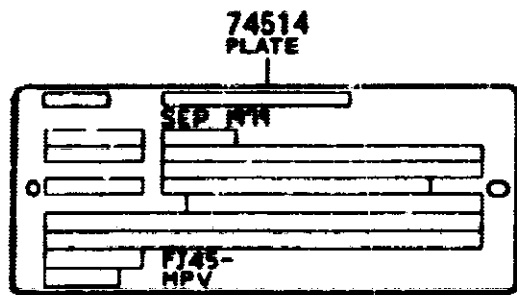


MB 8570-E

MBB570E 174-1-0121

(8008- )

PROD. DATE	MODELS	DESCRIPTION	PART NUMBER	QTY	REV. REF. CODE	
					FROM	UP TO
FIG.	74-55 CAUTION PLATE					
8210-8410	BJ42, FJ40	PLATE, CONTROL LEVEL CAUTION	33621-60110-	1	19	80
8008-8108	BJ42	PLATE, CERTIFICATION REGULATION	74514-60052-	1	1	
8008-8210	BJ42, FJ40	PLATE, TRANSFER CAUTION	74531-60161-	1	1	18
8008-8102	FJ40..USA	PLATE, EXHAUST EMISSION DATA CALIFORNIA SPEC	74556-12112-	1	1	
8102-8105	FJ40..USA	CALIFORNIA SPEC	74556-12113-	1		10
8105-8110	FJ40..USA	CALIFORNIA SPEC	74556-12114-	1	11	6
8110-8210	FJ40..USA	CALIFORNIA SPEC	74556-12116-	1	7	18
8008-8208	BJ42	PLATE, FUEL CAUTION	74559-22040-	1	1	
8208-8410	BJ42		74559-14030-	1		80
8008-8309	FJ40..USA	INSTRUMENT PANEL	74559-20030-	1	1	
8008-8309	FJ40..USA	RR BODE S/D DE PANEL	74559-20090-	1		
8110-8210	FJ40	PLATE, EMISSION CONTROL SYSTEM INFORMATION	11298-61032-	1	7	18
8110-8309	FJ40	CALIFORNIA SPEC	11298-61022-	1	7	
8210-8309	FJ40		11298-61033-	1	19	
8008-8110	FJ40..USA	C/LIFORNIA SPEC	11298-61021-	1	1	6
8008-8110	FJ40..USA		11298-61031-	1	1	6



MB 8602A

PROD. DATE	MODELS	DESCRIPTION	R/P	PART NUMBER	QTY	REV. REF. CODE	
						FROM	UP TO
FIG.	78-51	ACCELERATOR LINK					
8008-8309	FJ40	ROD SUB-ASSY, ACCELERATOR CONNECTING, NO. 1		78103-90A00-	1	1	
8008-8309	FJ40	ROD SUB-ASSY, ACCELERATOR CONNECTING, NO. 2		78060-90302-	1	1	
8008-8309	FJ40	ROD SUB-ASSY, ACCELERATOR CONNECTING, NO. 3		78105-90800-	1	1	
8008-8309	FJ40	BRACKET SUB-ASSY, ACCELERATOR PEDAL SUPPORT		78014-90A00-	1	1	
8008-8309	FJ40	BRACKET SUB-ASSY, ACCELERATOR TORQUE ROD		78107-90303-	1	1	
8008-8309	FJ40	GROMMET (FOR ACCELERATOR TORQUE ROD BRACKET)		90480-15227-	1	1	
8008-8309	FJ40	CUSHION (FOR ACCELERATOR TORQUE ROD BRACKET)		90540-09059-	2	1	
8008-8309	FJ40	SPACER (FOR ACCELERATOR TORQUE ROD BRACKET)		90560-06238-	2	1	
8008-8410	BJ42	SPRING (FOR ACCELERATOR PEDAL ROD)		90508-26125-	1	1	80
8008-8309	FJ40	SPRING (FOR ACCELERATOR PEDAL ROD)		90508-26392-	1	1	
8008-8410	BJ42, FJ40	GUIDE, THROTTLE WIRE W/THROTTLE ROD		78449-90300-	1	1	110
8008-8410	FJ42	PEDAL, ACCELERATOR		78101-90309-	1	1	80
8008-8309	FJ40	PEDAL, ACCELERATOR		78102-90800-	1	1	
8008-8309	FJ40	PEDAL, ACCELERATOR W/THROTTLE ROD		78102-90801-	1	1	

PROD. DATE	MODELS	DESCRIPTION	R/P	PART NUMBER	QTY	REV. REF. CODE	
						FROM	UP TO
8008-8309	FJ40	SPRING, TENSION (FOR ACCELERATOR WIRE RETURN SPRING)		90506-12034-	1	1	
8008-8205	BJ42	WIRE ASSY, ACCELERATOR		78180-90804-	1	1	
8205-8410	BJ42	WIRE ASSY, ACCELERATOR		78180-90808-	1	80	
8008-8410	BJ42	BEARING, ACCELERATOR PEDAL ROD SUPPORT		78104-90302-	1	1	80
8008-8309	FJ40	BEARING, ACCELERATOR PEDAL ROD SUPPORT		78181-90304-	1	1	
8008-8410	BJ42	CHANNEL, ACCELERATOR IDLE ADJUSTING STOPPER		78441-90303-	1	1	80
8008-8309	FJ40	CHANNEL, ACCELERATOR IDLE ADJUSTING STOPPER		78441-90351-	1	1	
8008-8410	BJ42, FJ40	CUSHION (FOR ACCELERATOR ADJUST STOPPER CHAIN)		90541-06008-	1	1	80
8008-8410	BJ42	BRACKET, ACCELERATOR WIRE SUPPORT		78183-90A00-	1	1	80
8008-8309	FJ40	BIOT, ACCELERATOR CONNECTING ROD		78199-90352-	1	1	
8008-8210	FJ40	CABLE ASSY, CHOKE		78310-90803-	1	1	18
8210-8309	FJ40	CABLE ASSY, CHOKE		78310-90807-	1	19	
8008-8210	FJ40	RING, CHOKE		78311-90351-	1	1	18
8008-8210	FJ40	NUT, CHOKE		90170-11002-	1	1	18
8210-8309	FJ40	NUT, CHOKE		90179-14004-	1	19	
8210-8309	FJ40	KNOB, CHOKE CONTROL CABLE		78303-90801-	1	1	

(8008- )

(8008- )

ILLUST.NO. 20F2

ILLUST.NO. 20F2

NO.	26	27	28	29	30
TYPE					
PART NO.	90463-10012	90463-10060	90463-10521	90463-12570	90480-70001

NO.	31	32	33	34	35
TYPE					
PART NO.	90463-10024	90464-00087	90464-00190	90467-10007	90480-10300

NO.	36	37	38	39	40
TYPE					
PART NO.	90480-15007	90480-15172	90480-15194	90480-19048	90480-58059

NO.	41	42	43	44	45
TYPE					
PART NO.	90460-0311	90480-07001	90461-08213	90461-12690	82711-22270

NO.	46	47	48	49	50
TYPE					
PART NO.	82817-90300	90462-08015	90461-08430	82711-22150	90461-06086

ME 9234 F

NO.	51	52	53		
TYPE					
PART NO.	90463-10521	90480-10300	90461-08183		

NO.					
TYPE					
PART NO.					

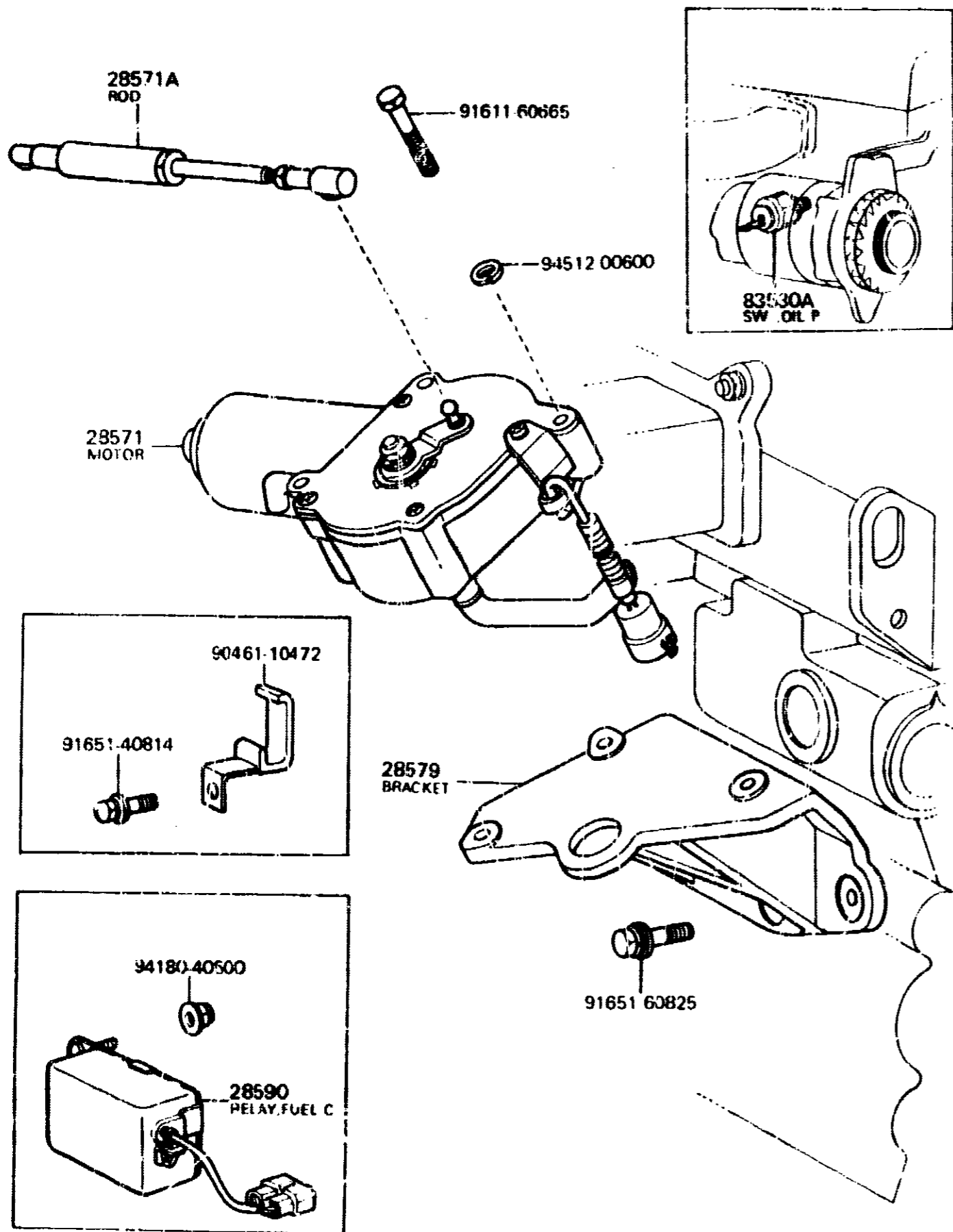
NO.					
TYPE					
PART NO.					

NO.					
TYPE					
PART NO.					

NO.					
TYPE					
PART NO.					

ME C864 B

(8008- )

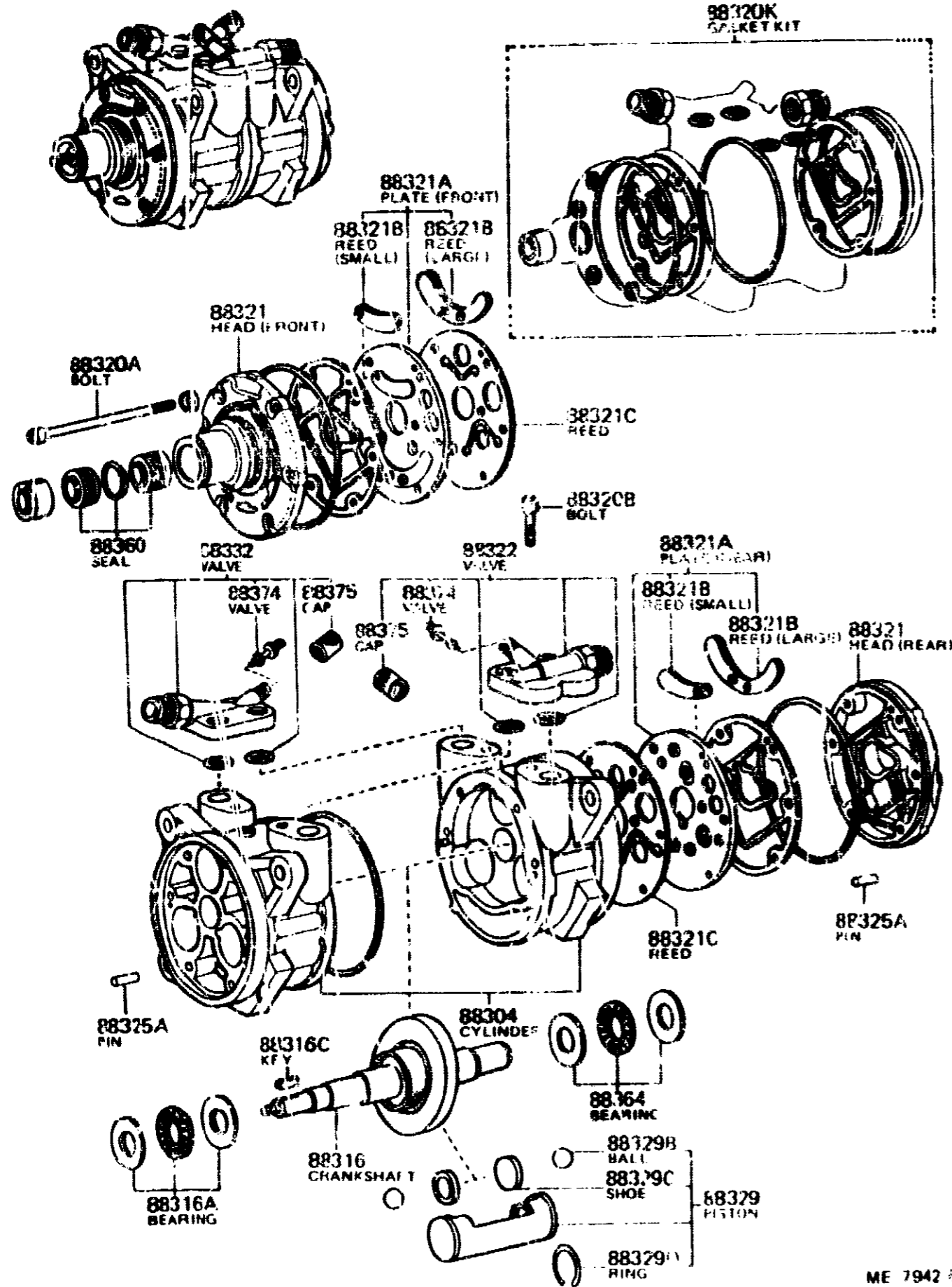


PROD. DATE	MODELS	DESCRIPTION	PART NUMBER	QTY	REV. REF. CODE	
					FROM	UP TO
FIG.	84-06	ELECTRONIC DIESEL INJECTION CONTROL SYSTEM				
8008-8410	3B..BJ42	28571 MOTOR, FUEL CONTROL	28571-56130-	1	1	80
8008-8410	3B..BJ42	28571A ROD, FUEL CONTROL MOTOR	34580-36021-	1	1	80
8008-8410	3B..BJ42	28579 BRACKET, FUEL CONTROL MOTOR	28579-56030-	1	1	80
8008-8410	3B..BJ42	28590 RELAY ASSY, FUEL CONTROL	28590-57020-	1	1	80
8008-8410	BJ42	83530A SWITCH ASSY, OIL PRESSURE	83530-14010-	1	1	80

PROD. DATE	MODELS	DESCRIPTION	R/P	PART NUMBER	QTY	REV. REF. CODE		PROD. DATE	MODELS	DESCRIPTION	R/P	PART NUMBER	QTY	REV. REF. CODE	
						FROM	UP TO							FROM	UP TO
FIG.	87-11	HEATING & AIR CONDITIONING		SET											
	87200	HEATER AND ACCESSORY		REAR											
8008-8110	BJ42			87200-60271-	1		6								
8110-8410	BJ42			87200-60272-	1	7	80								
8008-8309	FJ40			87200-60251-	1	1									
	88300	COOLER AND ACCESSORY		ASSY											
8210-8309	FJ40			88300-60082-	1	10									
8008-8710	FJ40..V..USA			88300-60081-	1	1									

(8008-8309) FJ40..V..USA

ILLUSTR. NO. 30F3



PROD. DATE	MODELS	DESCRIPTION	PART NUMBER	QTY	REV. REF. CODE	
					FROM	UP TO
FIG.	87-19 HEATING & AIR CONDITIONING - COMPRESSOR					
		1 88301 ROTOR SUB-ASSY, MAGNET CLUTCH				
8008-8106	FJ40..V..USA		88412-12040-	1		1
8106-8309	FJ40..V..USA		88412-14010-	1		
		1 88302 STATOR SUB-ASSY, MAGNET CLUTCH				
8008-8106	FJ40..V..USA		# 88411-22040- (88411-14040-	1		
8106-8309	FJ40..V..USA		88411-14050-	1		
		1 88304 CYLINDER SUB-ASSY, COOLER COMPRESSOR				
8008-8309	FJ40..V..USA		88304-14010-	1		1
		1 88310A BELT, V (FOR COOLER COMPRESSOR TO CRANKSHAFT PULLEY)				
8008-8309	FJ40..V..USA		99332-11250-	1		1
		1 88316 CRANKSHAFT, COOLER COMPRESSOR				
8008-8309	FJ40..V..USA		88316-20070-	1		1
		1 88316A BEARING, COMPRESSOR CRANKSHAFT, FRONT				
8008-8309	FJ40..V..USA		88366-20050-	1		1
		1 88316C KEY, COMPRESSOR CRANKSHAFT				
8008-8309	FJ40..V..USA		90099-13011-	1		1
		1 86320 COMPRESSOR ASSY, COOLER				
8008-8309	FJ40		88320-60041-	1		19
8008-8210	FJ40..V..USA		88320-60040-	1		18
		1 88320A BOLT, THROUGH				
8008-8309	FJ40..V..USA		90099-04926-	6		1
		1 88320B BOLT, SERVICE VALVE				
8008-8309	FJ40..V..USA		90099-04905-	4		1
		1 88320K GASKET KIT, COOLER COMPRESSOR OVERHAUL				
8008-8309	FJ40..V..USA		04881-30030-	1		1








PART	NAME	LOCATION
GEAR, COUNTER, NO.1		2-K3
GEAR, DRIVE		1-C8
GEAR, FL/WHEEL RING		1-H2
GEAR, FRONT AXLE DIFFERENTIAL SIDE		2-A5
GEAR, IDLE, NO.1		1-I2
GEAR, OIL PUMP DRIVE		1-B3
GEAR, OIL PUMP DRIVEN		1-B3
GEAR, POWER TAKE-OFF DRIVE		2-B3
GEAR, REAR DIFFERENTIAL SIDE		2-E4
GEAR, SPEEDOMETER DRIVE (FOR TRANSFER)		2-B3
GEAR, SPIRAL, DISTRIBUTOR		1-L5
GEAR, STARTER IDLE		1-H6
GEAR, TRANSFER IDLER		2-B3
GEAR, TRANSFER INPUT		2-B3
GEAR, WINCH OUTPUT		2-L3
GEAR, 1ST		2-C2
GEAR, 2ND		2-B2
GEAR, 3RD		2-B2
GEAR, 5TH		2-C2
GENERATOR ASSY, SIGNAL		1-M5
GLASS SUB-ASSY, FRJNT DOOR, LH		3-M3
GLASS SUB-ASSY, FRONT DOOR, RH		3-L3
GLASS, BACK DOOR		3-H4
GLASS, LEVEL GAGE		1-B7
GLASS, SIDE WINDOW CORNER		3-E3
GLASS, SIDE WINDOW, NO.1 (FOR FIXED TYPE)		3-E3
GLASS, SIDE WINDOW, NO.1 (FOR HINGE TYPE)		3-E3
GLASS, VENT WINDOW, LH		3-B4
GLASS, VENT WINDOW, RH		3-B4
GLASS, WINDSHIELD		3-G2
GOVERNOR ASSY, INJECTION PUMP		1-L7
GOVERNOR SUB-ASSY		1-L5
GRILLE SUB-ASSY, COOLER AIR OUTLET		3-L9
GRILLE, RADIATOR		3-J1
GRIP SUB-ASSY, ASSIST, FRONT		3-F5
GROMMET (FOR ACCELERATOR TORQUE ROD BRACKET)		3-I6
GROMMET (FOR HOOD SUPPORT ROD)		3-M1
GROMMET (FOR PARKING BRAKE FRONT CABLE)		2-J6
GROMMET (FOR VENTILATION SYSTEM)		1-E2
GROMMET (FOR WINCH MOTOR)		2-B4
GROMMET OR RING, O (FOR STEERING COLUMN CLAMP)		2-K5
GROMMET, CHECK VALVE		2-D7
GROMMET, HEATER HOSE		3-C10
GROMMET, SAFETY BAND ANCHORAGE NUT		3-J2
GROMMET, SAFETY BELT ANCHORAGE NUT		3-C3
GROMMET, SCREW (FOR GLOW PLUG)		1-J5
GUIDE, BALL		1-M7
		2-I5
GUIDE, DEFROSTER		3-G2
GUIDE, OIL LEVEL GAGE		1-K1
GUIDE, THROTTLE WIRE		3-I6
GUIDE, TRANSFER SHIFT LEVER		2-E3
GUSSET, FRAME NO.4 CROSSMEMBER, LH		3-A1
GUSSET, FRAME NO.4 CROSSMEMBER, RH		3-A1
GUSSET, ROOF DRIP MOULDING, LH		3-G3
GUSSET, ROOF DRIP MOULDING, RH		3-G3
HANDLE ASSY, FRONT DOOR OUTSIDE, LH		3-C4
HANDLE ASSY, FRONT DOOR OUTSIDE, RH		3-C4
HANDLE ASSY, FRONT DOOR WINDOW REGULATOR		3-E4
HANDLE SUB-ASSY, FRONT DOOR INSIDE, LH		3-C4
HANDLE SUB-ASSY, FRONT DOOR INSIDE, RH		3-C4
HANDLE SUB-ASSY, WINDSHIELD CATCH		3-E2
HANDLE, BACK DOOR INSIDE PULL		3-J4
HANDLE, BACK DOOR OUTSIDE		3-J4

PART	NAME	LOCATION
HANDLE, JACK		1-A1
HANDLE, RECLINING ADJUSTER RELEASE		3-D5
HANDLE, STARTING OR SPARE WHEEL CARRIER		3-M5
HANDLE, TAIL GATE, INSIDE		3-K4
HANDLE, VENTILATING WINDOW LOCK, LH		3-B4
HANDLE, VENTILATING WINDOW LOCK, RH		3-A4
HANGER, RELEASE FORK RETRACTING SPRING		2-B1
HANGER, SPARE WHEEL CARRIER LOCK SPRING		3-E1
HARNESS ASSY, FUEL CONTROL		3-J7
HARNESS ASSY, WIRING COWL		3-J7
HARNESS ASSY, WIRING COWL TO HEADLAMP, NO.1		3-J7
HARNESS SUB-ASSY, AIR CONDITIONER WIRING		3-F10
HARNESS SUB-ASSY, COOLER WIRING, NO.1		3-M9
HEAD SUB-ASSY, CYLINDER		1-G1
HEAD, COOLER COMPRESSOR CYLINDER		3-J16
HEAD, REVERSE & 5TH SHIFT		2-G2
HEAD, REVERSE SHIFT		2-G2
HEAD, 1ST & 2ND SHIFT		2-G2
HEADLAMP ASSY, LH		3-K6
HEADLAMP ASSY, RH		3-K6
HEADLINING ASSY, ROOF		3-I3
HEADREST ASSY, FRONT SEAT		3-C5
HEATER AND ACCESSORY, REAR		3-I9
HEATER ASSY, REAR		3-K9
HINGE ASSY, BACK DOOR, LH		3-J4
HINGE ASSY, BACK DOOR, RH		3-J4
HINGE ASSY, FRONT DOOR, LOWER LH		3-E4
HINGE ASSY, FRONT DOOR, LOWER RH		3-E4
HINGE ASSY, FRONT DOOR, UPPER LH		3-E4
HINGE ASSY, FRONT DOOR, UPPER RH		3-E4
HINGE ASSY, HOOD, LH		3-M1
HINGE ASSY, HOOD, RH		3-M1
HINGE SUB-ASSY, SPARE WHEEL CARRIER		3-D1
HINGE SUB-ASSY, WINDSHIELD SUPPORT, LH		3-H2
HINGE SUB-ASSY, WINDSHIELD SUPPORT, RH		3-G2
HINGE, RADIATOR COVER SUPPORT		3-J1
HINGE, REAR DROP GATE		3-J4
HOLDER AND NOZZLE SET, NOZZLE		1-E7
HOLDER ASSY, ALTERNATOR BRUSH		1-C6
HOLDER ASSY, STARTER BRUSH		1-G6
HOLDER, ANTENNA		3-E9
HOLDER, BODY MOUNT BOLT SPACER, NO.1		3-F1
HOLDER, BODY MOUNT BOLT SPACER, NO.5		3-G1
HOLDER, DELIVERY VALVE		1-H7
HOLDER, SPARE WHEEL CARRIER		3-E1
HOLDER, STARTER SPRING		1-H6
HOLDER, SYNCHRONIZER RING		2-C2
HOLDER, W/RECTIFIER NEGATIVE, ALTERNATOR		1-C6
HOLDER, W/RECTIFIER POSITIVE, ALTERNATOR		1-C6
HOOD SUB-ASSY		3-K1
HOOK ASSY, DRAWING PINTLE		3-C1
HOOK ASSY, HOOD AUXILIARY CATCH		3-M1
HOOK, EYELET PINTLE		3-C1
HOOK, NO.1		3-C1
HOOK, RADIATOR SHUTTER		3-A2
HOOK, REAR DROP GATE CHAIN, LH		3-J4
HOOK, REAR DROP GATE CHAIN, RH		3-J4
HOOK, SPARE WHEEL CARRIER LOCK		3-D1
HORN ASSY, HIGH PITCHED		3-F9
HORN ASSY, LOW PITCHED		3-F9
HORN, AIR		1-B7
HOSE (FOR CONNECTOR TO VACUUM RESERVOIR TUBE)		2-D7
HOSE (FOR EGR VACUUM MODULATOR)		1-I8
HOSE (FOR HIGH ALTITUDE COMPENSATOR VALVE)		1-G5

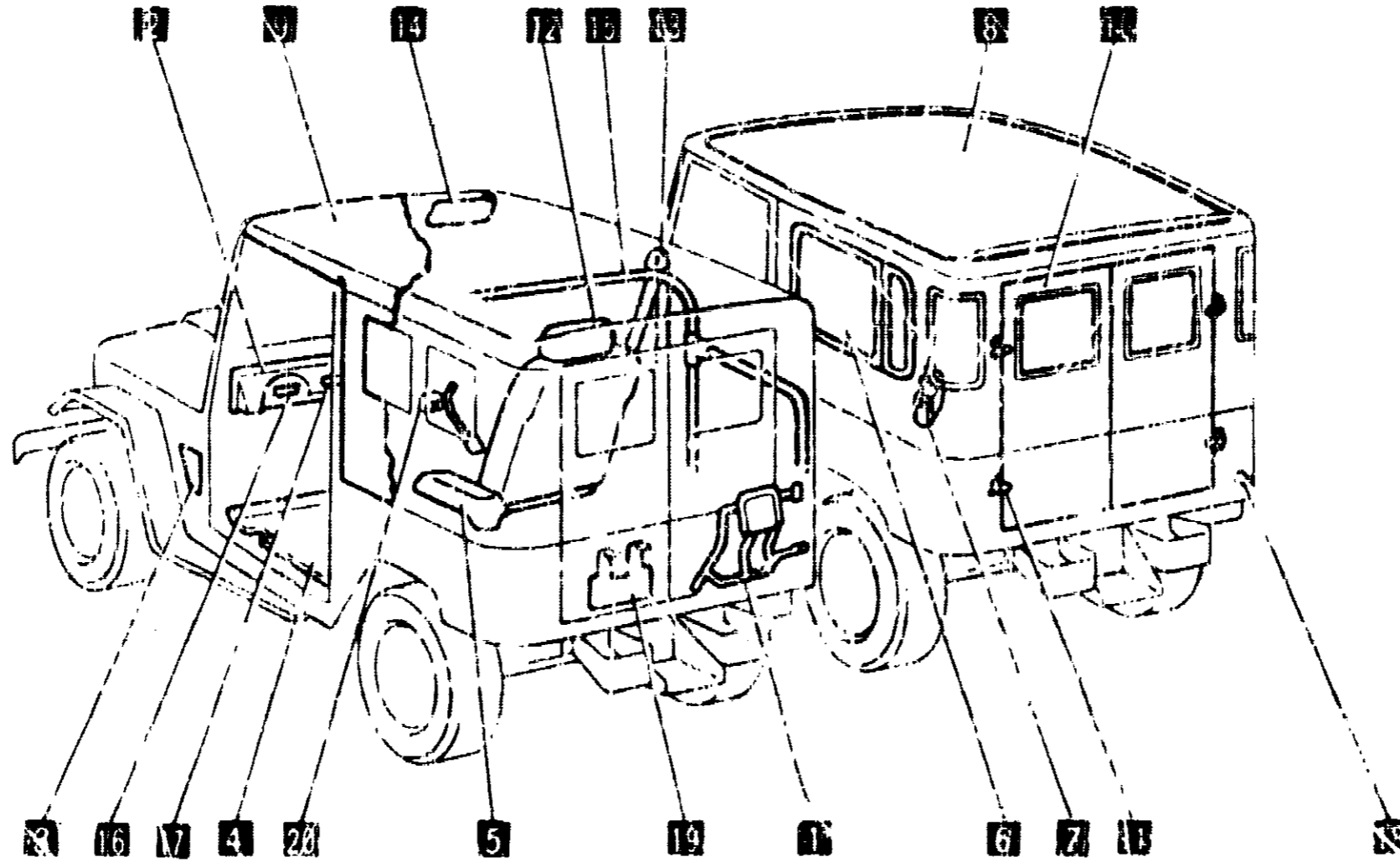



PART NUMBER	LOCATION	PART NUMBER	LOCATION	PART NUMBER	LOCATION	PART NUMBER	LOCATION	PART NUMBER	LOCATION	PART NUMBER	LOCATION
87104-90A04-	3-K9	87290-60042-	3-G8	88541-10020-	3-L9	90099-10107-	1-H6	90116-10075-	2-A5	90210-10001-	2-J5
87105-22020-	3-K9	87294-60031-	3-A10	88550-60030-	3-L9	-10111-	1-C6	-10075-	2-D4	-12001-	1-H1
-87002-	3-K9	-60040-	3-K9	88570-55020-	3-L9	-10113-	1-H6	-10098-	1-E4	-13001-	1-H1
87107-30043-	3-K9	87296-60033-	3-A10	88605-60270-	3-M9	-10116-	1-C6	-10103-	2-A5	90213-06001-	2-F2
-60100-	3-K9	87810-90300-	3-G9	-60280-	3-F10	-10117-	3-J10	-10104-	2-A5	-06013-	2-H7
87110-60070-	3-K9	-90801-	3-G9	-60290-	3-L10	-10119-	1-H6	-10107-	2-D4	-07010-	2-H7
-60080-	3-K9	87828-12010-	3-G9	-60300-	3-M1	-10120-	1-C6	-10299-	1-E4	90214-42030-	2-D5
87123-10050-	3-K9	-90800-	3-G9	88610-60050-	3-L9	-10125-	1-C6	-12007-	2-A8	90215-09003-	2-F2
87133-60141-	3-K9	87834-14011-03	3-G9	88625-60020-	3-M9	-10126-	1-C6	-12321-	1-E4	-42025-	2-E5
-60150-	3-K9	87901-90303-	3-G9	88630-60020-	3-M9	-10130-	2-A4	-12009-	2-A8	90240-06153-	2-E7
-60170-	3-K9	87902-90301-	3-G9	88635-30370-	3-M9	-10133-	3-J10	-12007-	2-A8	-08007-	3-M1
87138-60170-	3-K9	87905-90301-	3-G9	88645-22020-	3-F10	-10137-	1-C6	-12321-	1-E4	-08007-	3-M1
-60190-	3-K9	87911-90300-	3-G9	88658-60020-	3-M9	-12010-	1-M7	90117-06131-	1-I8	-08042-	2-J6
87145-60031-	3-K9	88031-60010-	3-E10	-60150-	3-M9	-13001-	1-L7	90118-14107-	2-G8	90241-05002-	3-F2
87150-60037-	3-K9	88300-60081-	3-I9	-60160-	3-M9	-13002-	1-I7	-14108-	2-E8	-10017-	1-H2
-60038-	3-K9	-60082-	3-I9	88690-60010-	3-E10	-13011-	3-I10	-14158-	2-G8	90245-16001-	3-D1
87200-60251-	3-I9	88301-20050-	3-J10	88711-60160-	3-F10	-14015-	1-A8	-14160-	2-E8	-20001-	3-D1
-60271-	3-I9	88304-14010-	3-I10	-60090-	3-F10	-14020-	1-L5	-14191-	2-E8	90249-08068-	2-H7
-60272-	3-I9	88305-20070-	3-J10	88712-60080-	3-F10	-14023-	2-A4	-14192-	2-E8	-10017-	2-L6
87211-60031-	3-A10	88306-20040-	3-J10	88716-60150-	3-G10	-14028-	2-A4	90119-10923-	3-F1	-10048-	2-D1
-60110-	3-F2	88307-20050-	3-J10	-60240-	3-G10	-15017-	1-J6	-10207-	3-G1	90250-05034-	2-H2
-60120-	3-F2	-20060-	3-J10	-60260-	3-G10	-17112-	1-G6	-10208-	1-I2	-05202-	2-C2
-60131-	3-A10	88312-30250-	3-J10	88717-60070-	3-G10	-19251-	1-C6	90149-60001-	1-L2	-06009-	2-C2
-60140-	3-A10	88313-20070-	3-J10	88721-60020-	3-F10	-32103-	3-A9	90170-10014-	1-L2	-07057-	2-D5
-60160-	3-A10	88316-20070-	3-I10	88896-60030-	3-F10	-33332-	3-A9	-10021-	2-H6	-08120-	2-I4
87231-60032-	3-A10	88317-20030-	3-J10	-60040-	3-F10	-37005-	1-M5	-10074-	1-L2	-08120-	1-K1
-60034-	3-A10	88320-60040-	3-I10	88960-60011-	3-A10	-52065-	1-C6	-10198-	1-H2	-10000-	2-H7
-60102-	3-A10	-60041-	3-I10	89422-30020-	3-H8	90101-08041-	1-A5	-11002-	3-I5	-10059-	2-J5
-60103-	3-A10	88321-20061-	3-J10	89423-60020-	3-H8	-08173-	2-D1	-12010-	1-H2	-10192-	1-H2
-60110-	3-A10	88322-20040-	3-J10	89425-69045-	3-H8	-10069-	2-H6	-12015-	3-A4	-10214-	1-K1
-60112-	3-A10	88343-20040-	3-J10	89550-60130-	3-H8	-10089-	2-H6	-12166-	3-A4	-10214-	2-F2
-60120-	3-A10	88360-30270-	3-J10	89570-60050-	1-F5	-10439-	2-F7	-22058-	2-I5	-10214-	2-K1
-60121-	3-A10	88366-20050-	3-I10	-60060-	1-F5	-12021-	2-G7	-22058-	2-I5	-10215-	2-F2
87240-60010-	3-C10	88371-60030-	3-J10	-60070-	1-F5	-12029-	2-M3	90171-12028-	2-H6	-12146-	2-K1
-60031-	3-C10	-60070-	3-J10	89120-60051-	3-H8	-12060-	7-E7	-12216-	2-K1	-12216-	2-K1
-60040-	3-K9	88372-30280-	3-J10	-60070-	3-H8	-13001-	1-J1	90175-06003-	1-K4	90253-15005-	1-K1
87245-60040-	3-C10	88374-12020-	3-J10	90041-70001-	1-L2	90105-11010-	2-G3	-08008-	1-K4	-16014-	1-J1
-60041-	3-C10	88375-30260-	3-J10	90043-45027-	1-J1	-11013-	2-G3	90176-08014-	1-H1	-17003-	1-K1
-60070-	3-C10	88405-14030-	3-J10	90044-01010-	1-I2	-11014-	2-G3	90179-06158-	3-J8	-17007-	1-J1
-60080-	3-C10	-26030-	3-J10	-30026-	1-C3	-13002-	1-H2	-10010-	1-H4	-18002-	1-J1
-90A26-	3-C10	88410-14090-	3-J10	-60053-	1-M3	-16003-	1-H2	-12044-	1-H2	90254-05004-	2-D3
87247-20051-	3-C10	-22060-	3-J10	90096-90001-	1-C8	90106-12022-	2-A8	-12086-	2-F6	-05016-	2-D3
87248-60102-	3-C10	88411-14050-	3-I10	90099-02205-	1-G6	90109-06008-	2-M6	-14004-	3-I6	-20001-	2-H2
-60192-	3-C10	-22040-	3-I10	-02205-	1-C6	-10039-	3-F1	-20001-	2-A5	-20001-	2-H2
-60203-	3-C10	88412-12040-	3-I10	-02323-	1-G6	-16001-	1-J1	-22004-	2-E4	90280-03009-	1-B3
-60251-	3-C10	-14010-	3-I10	-04579-	3-F10	90112-0004-	3-H1	-22004-	1-H2	-03015-	2-D2
-60252-	3-C10	88437-60100-	3-J10	-04705-	3-I10	-10016-	3-H1	-27005-	2-L2	-05008-	2-A6
-60260-	3-C10	-60170-	3-J10	-04926-	3-I10	90113-08001-	2-F2	-26002-	2-B2	-05010-	1-I2
-60280-	3-C10	88440-20060-	3-K10	-04945-	1-L7	-10003-	2-B2	-26002-	2-B2	-05010-	1-I2
-60291-	3-C10	88444-60020-	3-J10	-07047-	1-H6	90114-1124-	2-L2	90189-04024-	1-J5	90281-07004-	1-H2
-60300-	3-C10	88460-60050-	3-F10	-07048-	1-C6	90116-02018-	1-K1	-08106-	1-M7	-14001-	2-H6
-60311-	3-C10	88470-20070-	3-F10	-07094-	3-J10	-04306-	1-J1	-10045-	2-F2	-18018-	2-L1
-60390-	3-C10	88472-60030-	3-F10	-07103-	1-C6	-04342-	1-E4	-10092-	2-F2	-20010-	1-G3
-60400-	3-C10	88501-30531-	3-L9	-07104-	1-L5	-05123-	1-L2	-10227-	1-K2	-21176-	1-G3
-90A06-	3-C10	88510-60080-	3-L9	-07108-	1-C6	-08125-	2-D5	-20005-	2-B5	-23054-	2-J5
87249-60104-	3-C10	88515-12051-	3-L9	-07109-	1-L5	-10048-	2-I4	-22005-	2-E4	-25135-	2-B6
-60121-	3-C10	88536-60120-	3-L9	-07114-	3-J10	-10048-	1-E4	-26003-	2-L2	-27003-	2-B3
-60122-	3-C10	-60160-	3-L9	-08028-	3-J10	-10055-	1-M1	-30003-	2-B2	-32002-	2-H3
87251-30190-	3-C10	-60161-	3-L9	-08032-	1-J6	-10056-	1-E4	-35002-	2-B3	-33001-	1-H4
-30200-	3-C10	-60170-	3-L9	-10018-	1-C8	-10056-	1-E4	90209-12002-	3-J8	-35001-	2-H5
-60041-	3-D10	88539-30250-	3-L9	-10039-	1-G6	-10056-	1-E4	90210-08003-	1-K1	-44001-	2-H5
87286-60101-	3-A10	-30520-	3-L9	-10040-	1-G6	-10056-	1-E4				
-60151-	3-A10	88541-10010-	3-L9	-10087-	1-I7						
-60152-	3-A10										


ILLUSTRATED INDEX


3-D1 (51-53) <b>1</b>  Spare Wheel Carrier	3-C2 (55-51) <b>2</b>  Instrument Panel	3-F2 (55-52) <b>3</b>  Front Ventilator	3-M2 (58-54) <b>4</b>  Floor Mat & Pad	3-A3 (58-55) <b>5</b>  Console Box	3-E3 (61-52) <b>6</b>  Side Window	3-H3 (61-55) <b>7</b>  Floor & Roof Ventilator
---	--	---	---	---	---	---

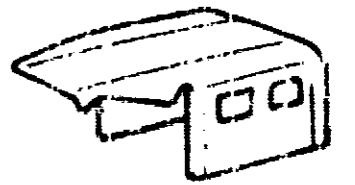
BODY GROUP (2/2)

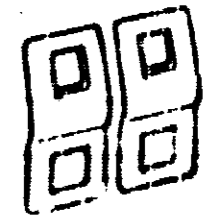


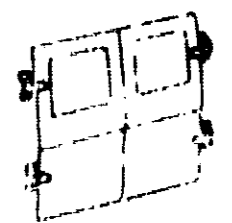
3-H6 (78-51) <b>20</b>  Accelerator Link
---

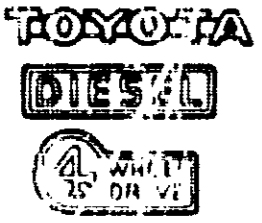
3-M5 (75-51) <b>1A</b>  Tool Box & License Bracket
---

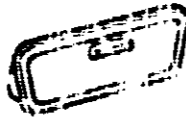
3-I3 (64-52) <b>8</b>  Roof Headlining & Pad
---

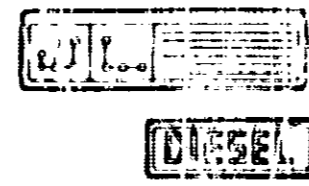
3-J3 (65-55) <b>9</b>  Top Curtain & Roof Panel
---

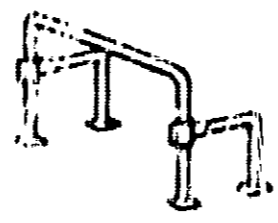
3-G4 (67-61) <b>10</b>  Back Door Panel & Glass
--

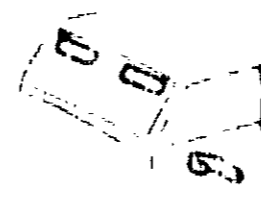
3-I4 (67-62) <b>11</b>  Back Door Lock & Hinge
---

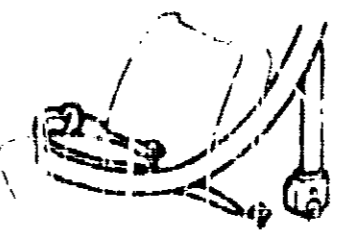
3-M5 (75-51) <b>1A</b>  Emblem & Name Plate
--


3-J5 (74-56) <b>17</b>  Ash Receptacle
---

3-I5 (74-55) <b>16</b>  Caution Plate
---

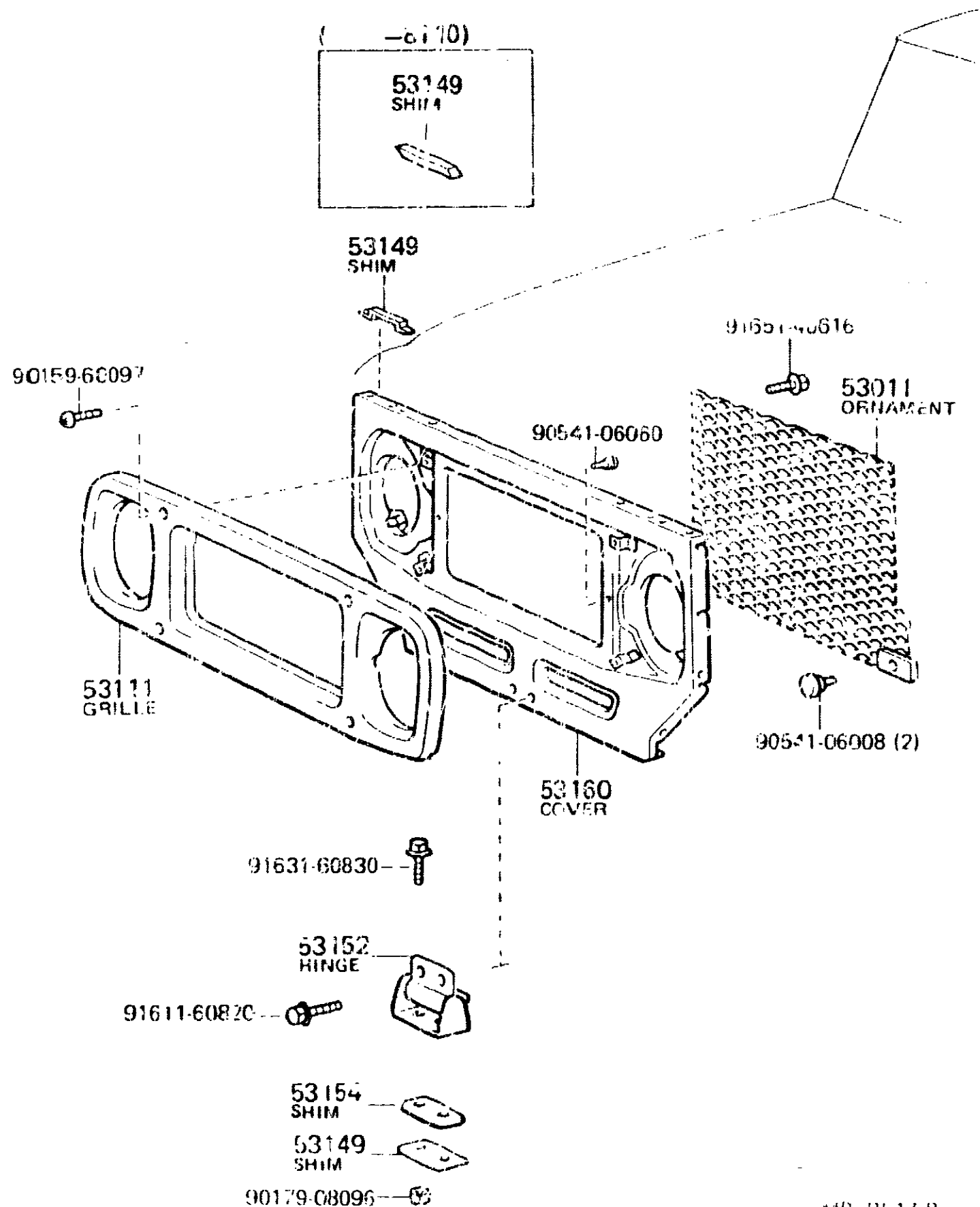
3-G5 (74-53) <b>15</b>  Handrail & Pipe
--

3-V5 (74-51) <b>14</b>  Access & Visor
---

3-E5 (71-52) <b>13</b>  Seat Belt
--

3-B5 (71-51) <b>12</b>  Seat & Seat Track
--

(8008- )



PROD. DATE	MODELS	DESCRIPTION	R/P	PART NUMBER	QTY	REV. REF. CODE	
						FROM	UP TO
FIG.	53-51 RADIATOR GRILLE						
		53011 ORNAMENT SUB-ASSY, RADIATOR GRILLE					
8008-8410	BJ42			53011-90305-	1	1	80
8008-8309	FJ40			53011-90304- (53011-90305-)	1	1	
		53111 GRILLE, RADIATOR					
8008-8410	BJ42, FJ40			53111-90307-	1	1	80
		53149 SHIM, RADIATOR COVER CUSHION					
8008-8110	BJ42, FJ40	L=160		53148-90300- (51464-90800-)	4	1	6
8110-8410	BJ42, FJ40	UPR		51464-90800-	4	7	80
8308-8410	BJ42, FJ40	LWR		53149-90300-	1		80
		53152 HINGE, RADIATOR COVER SUPPORT					
8008-8410	BJ42, FJ40			53107-90300-	1	1	80
		53154 SHIM, RADIATOR COVER SUPPORT BRACKET					
8008-8308	BJ42, FJ40			53154-60010- (53154-90800-) (53149-90800-)	1	1	
8308-8410	BJ42, FJ40			53154-90800-	1		80
		53160 COVER ASSY, RADIATOR					
8110-8305	BJ42			53106-90803-	1	7	38
8305-8410	BJ42			53106-90807-	1	39	80
8008-8110	BJ42, FJ40			53106-90304- (53106-90307-)	1	1	6
8110-8309	FJ40					7	

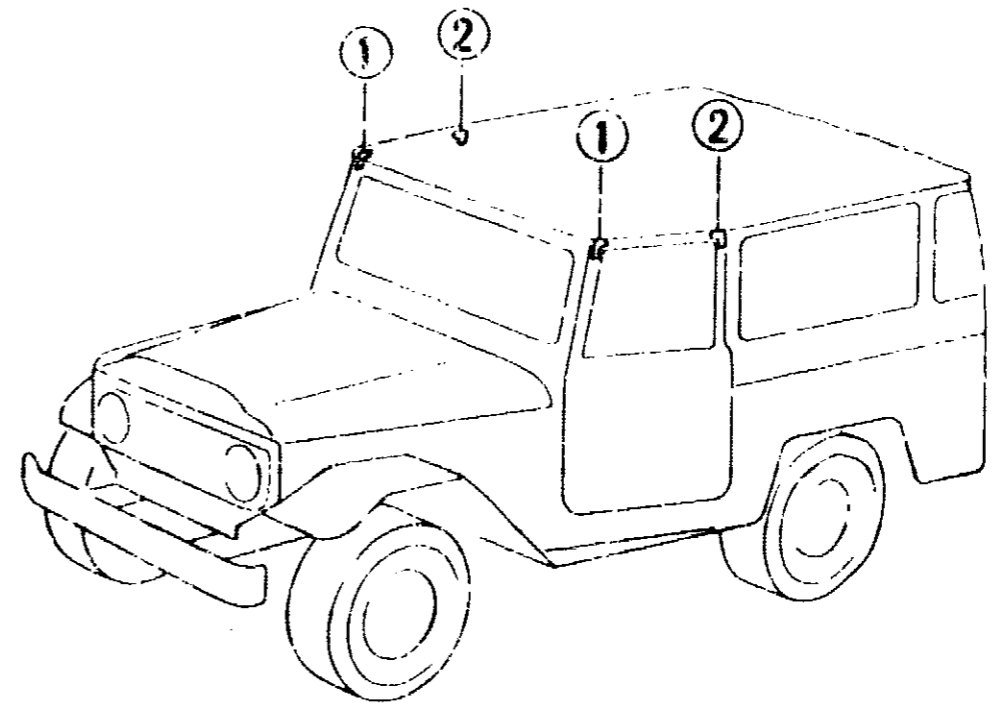
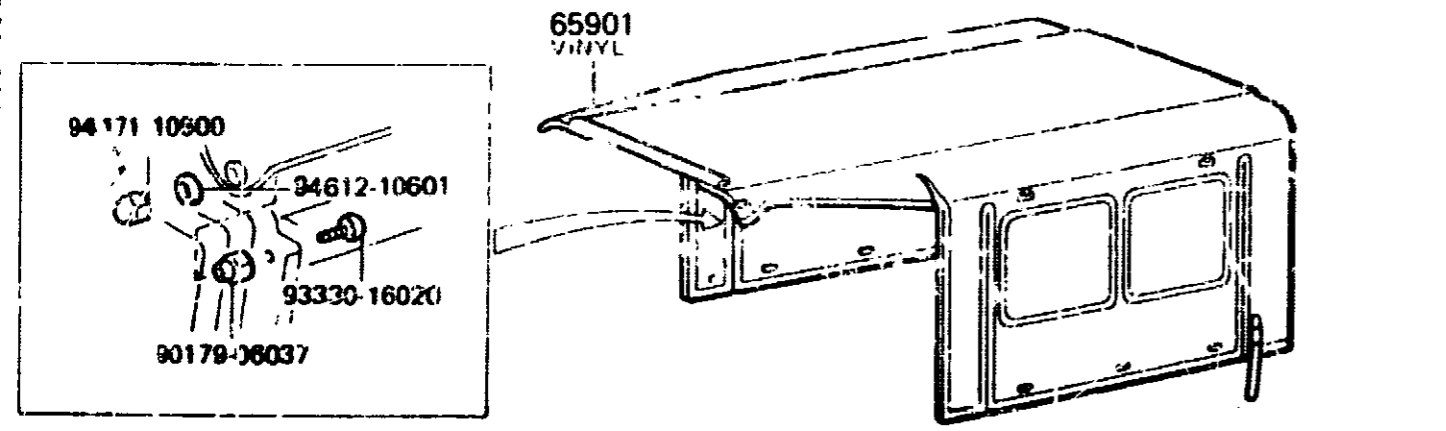
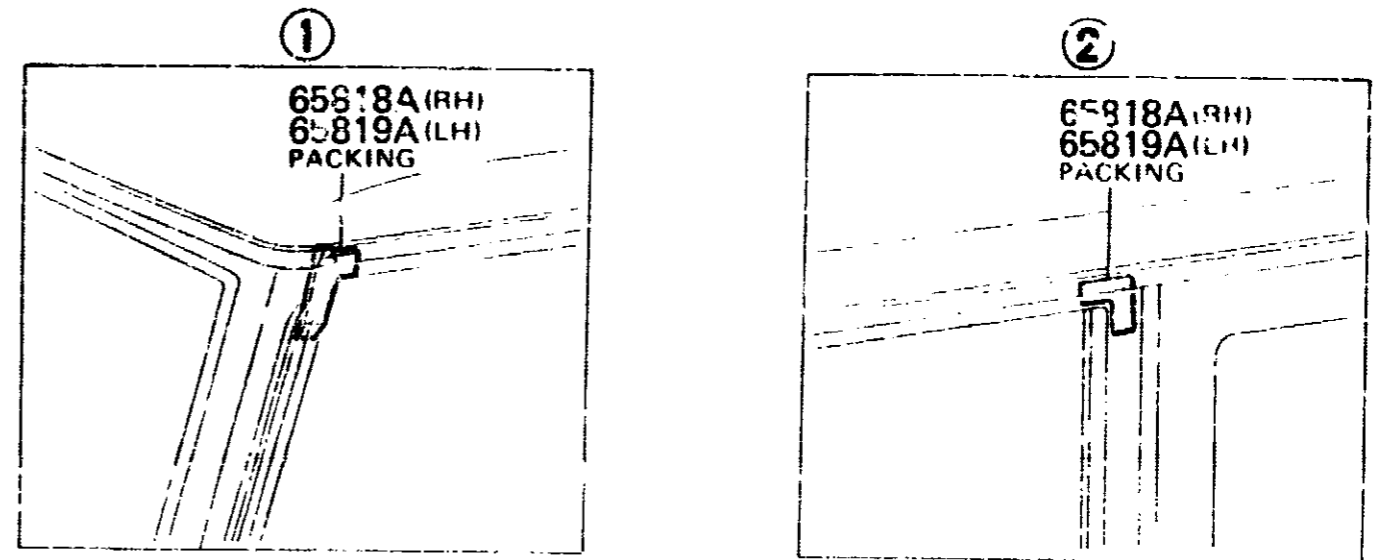
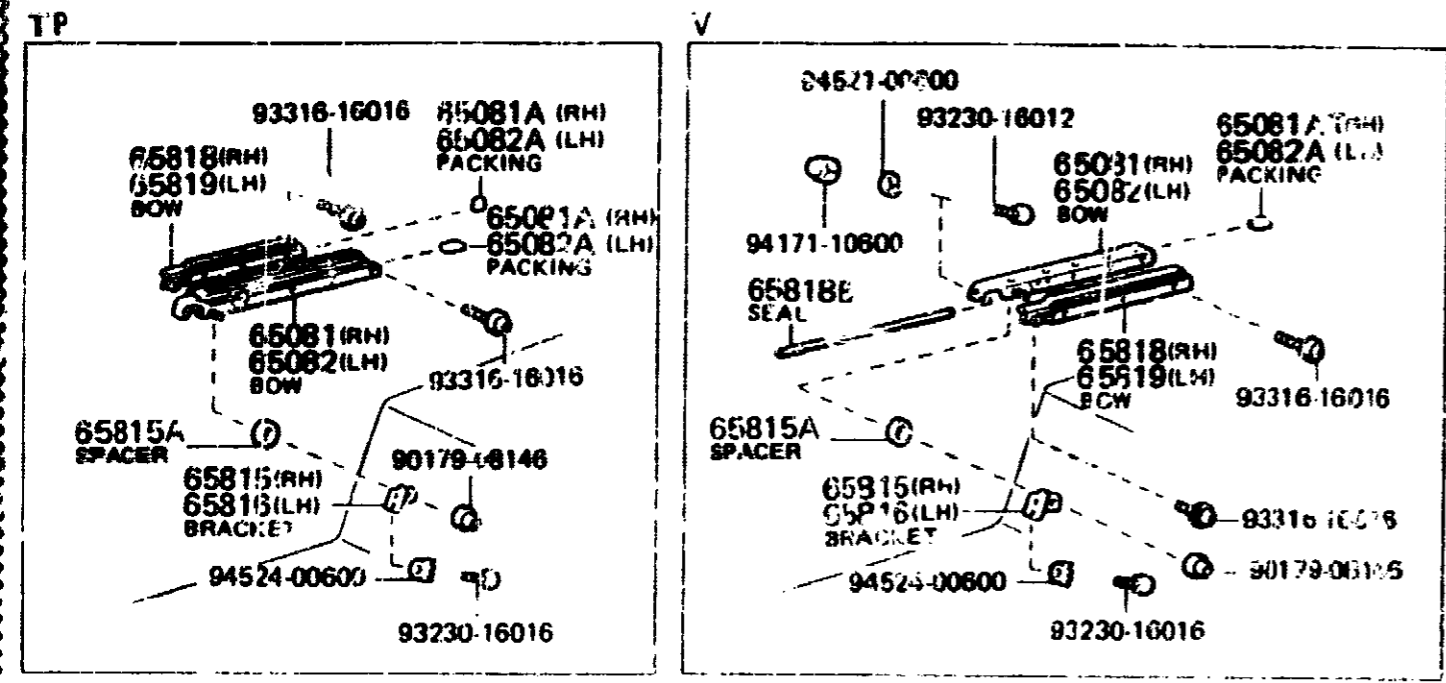
MB 3517 B

PROJ. DATE	MODELS	DESCRIPTION	PART NUMBER	QTY	REV. REF. CODE	
					FROM	UP TO
FIG.	58-51	FRONT FLOOR PANEL & FRONT FLOOR MEMBER				
		+				
		51707   STEP SUB-ASSY, RH				
8008-8410	BJ42, FJ40		51707-90304-	1	1	80
		+				
		51708   STEP SUB-ASSY, LH				
8008-8410	BJ42, F.40		51708-90304-	1	1	80
		+				
		5177(A)   CUSHION (FOR STEP)				
8008-8410	BJ42, FJ40		52232-90300-	2	1	80
		+				
		51791   STAY, STEP				
8008-8410	BJ42, FJ40		51701-90300-	2	1	80
		+				
		58211   PANEL, FRONT FLOOR				
8008-8210	BJ42		# 58101-90809- (58101-90879- )	1	1	18
8210-8311	BJ42		# 58101-90829- (58101-90882- )	1	19	
8210-8311	BJ42	W/INSULATOR	# 58101-90842- (58101-90882- )	1	19	
8311-8410	BJ42		58101-90882-	1		80
8008-8210	FJ40		# 58201-90327- (58101-90879- )	1	1	18
8210-8309	FJ40		58101-90828-	1	19	
		+				
		58262   COVER, TRANSMISSION				
8210-8410	BJ42		58261-90801-	1	19	80
8008-8210	BJ42, FJ40		58262-90804-	1	1	18
8210-8309	FJ40		58261-90300-	1	19	
		+				
		58262B   PACKING, TRANSMISSION COVER				
8008-8210	BJ42, FJ40		58263-90300-	1	1	18
8210-8410	BJ42, FJ40		58263-90800-	1	19	80
		+				
		58268B   SEAL, TRANSFER LEVER BOOT				
8210-8410	BJ42, FJ40		58268-90800-	1	19	80

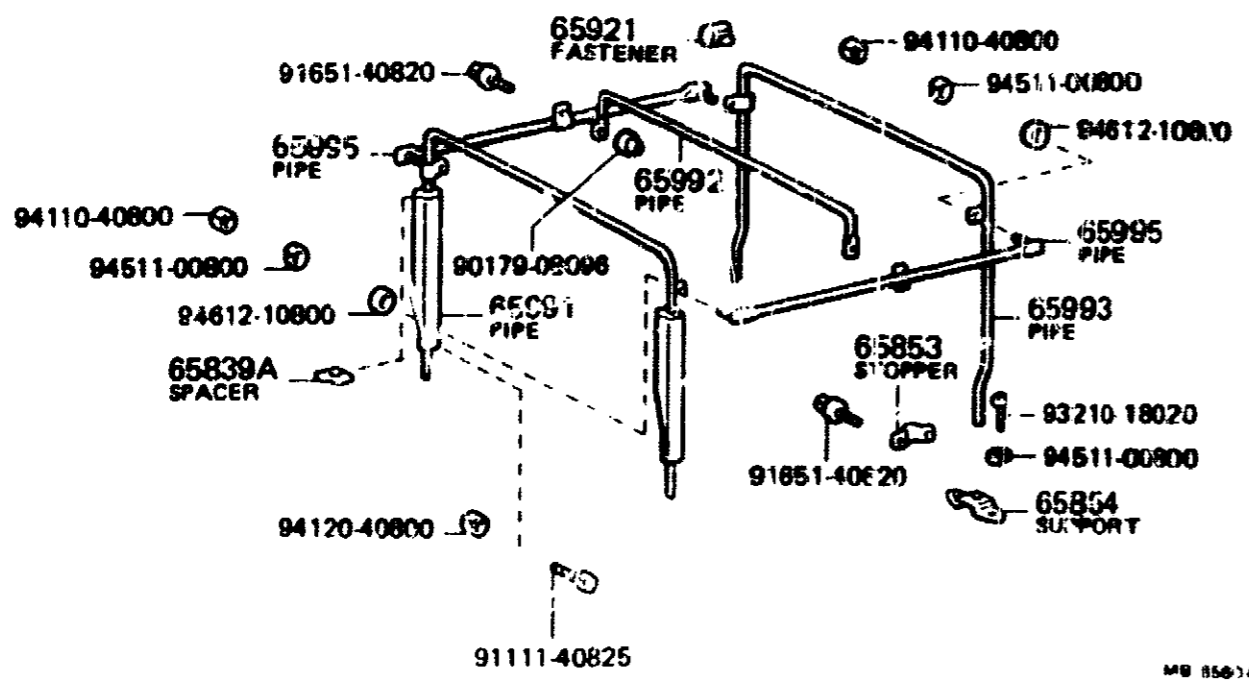
PROD. DATE	MODELS	DESCRIPTION	PART NUMBER	QTY	REV. REF. CODE	
					FROM	UP TO
		+				
		58276   GROMMET, SAFETY BAND ANCHORAGE NUT				
8008-8410	BJ42, FJ40		58276-90300-	4	1	80
		+				
		58280   DUST PROOF ASSY, TRANSFER CONTROL LEVER				
8008-8210	BJ42, FJ40		58280-90305-	1	1	18
		+				
		58283   COVER, FRONT DRIVE DUST				
8008-8210	BJ42, FJ40		58288-90300-	1	1	18
		+				
		58286   BOOT, SHIFT AND SELECT LEVER				
8008-8210	BJ42, FJ40		58273-90300-		1	18
8210-8410	BJ42, FJ40		58280-90300-		19	80
		+				
		58287   RETAINER, SHIFT LEVER BOOT				
8008-8210	BJ42, FJ40		58274-90300-	1	1	18
		+				
		58850   COVER ASSY, TRANSFER LEVER HOLE				
8210-8410	BJ42, FJ40		58850-90800-	1	19	80

ILLUST. NO. 10F2

ILLUST. NO. 20F2



MB C360

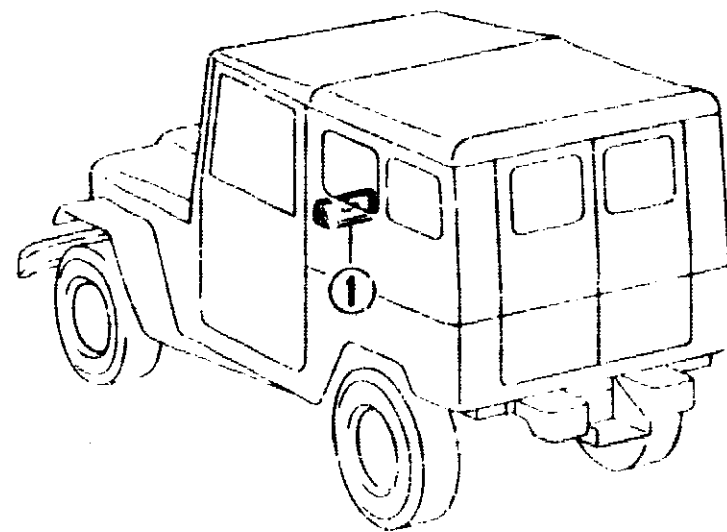
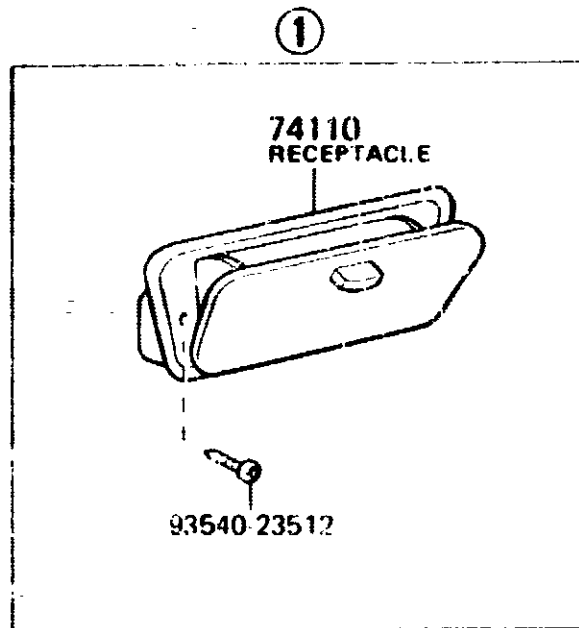


MB B561C

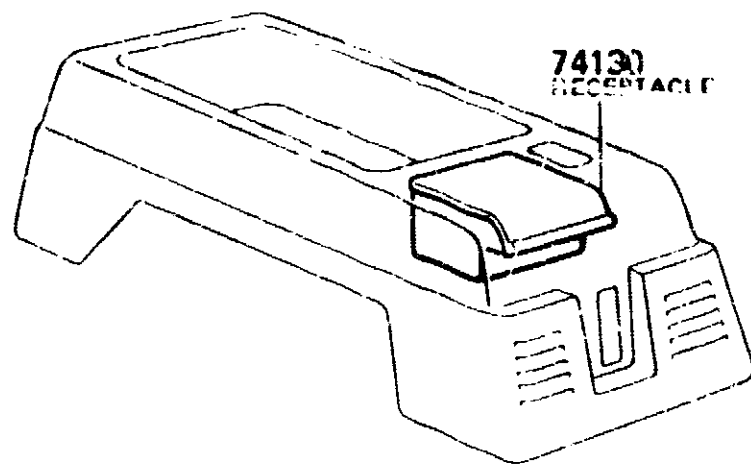
PROD. DATE	MODELS	DESCRIPTION	R/P	PART NUMBER	QTY	REV. REF. CODE	
						FROM	UP TO
FIG.	67-62	BACK DOOR LOCK & HINGE					
		+					
	+	+					
8008-8110	FJ40..TP	LATCH ASSY, REAR DROP GATE		69362-90301-	1	1	6
8008-8110	FJ40..TP	RH		69362-90301-	1	1	6
8008-8110	FJ40..TP	LH		69363-90301-	1	1	6
		+					
	+	+					
8008-8110	FJ40..TP	CHAIN ASSY, REAR DROP GATE, RH		68909-90301-	1	1	6
8008-8110	FJ40..TP			68909-90301-	1	1	6
		+					
	+	+					
8008-8110	FJ40..TP	BOLT, REAR GATE CHAIN SET		71352-60010-	2	1	6
8008-8110	FJ40..TP			71352-60010-	2	1	6
		+					
	+	+					
8008-8110	FJ40..TP	HOOK, REAR DROP GATE CHAIN, RH		64917-60010-	1	1	6
8008-8110	FJ40..TP			64917-60010-	1	1	6
		+					
	+	+					
8008-8110	FJ40..TP	HOOK, REAR DROP GATE CHAIN, LH		64918-60010-	1	1	6
8008-8110	FJ40..TP			64918-60010-	1	1	6
		+					
	+	+					
8008-8110	FJ40..TP	CHAIN ASSY, REAR DROP GATE, LH		68909-90311-	1	1	6
8008-8110	FJ40..TP			68909-90311-	1	1	6
		+					
	+	+					
8008-8110	FJ40..TP	LOCK ASSY, REAR DROP GATE		69350-60010-	1	1	6
8008-8110	FJ40..TP	RH		69350-60010-	1	1	6
8008-8110	FJ40..TP	LH		69360-60010-	1	1	6
		+					
	+	+					
8008-8410	BJ42, FJ40..V	HINGE ASSY, BACK DOOR, RH		68095-60020-	1	1	80
8008-8410	BJ42, FJ40..V	LWR		68095-60020-	1	1	80
8008-8410	BJ42, FJ40..V	UPR		68905-60030-	1	1	80
		+					
	+	+					
8008-8410	BJ42, FJ40..V	RETAINER, BACK DOOR HINGE		68959-90301-	2	1	80
8008-8410	BJ42, FJ40..V			68959-90301-	2	1	80
		+					
	+	+					
8008-8410	BJ42, FJ40..V	HINGE ASSY, BACK DOOR, LH		68095-60020-	1	1	80
8008-8410	BJ42, FJ40..V	LWR		68095-60020-	1	1	80
8008-8410	BJ42, FJ40..V	UPR		68906-60020-	1	1	80
		+					
	+	+					
8008-8110	FJ40..TP	HINGE, REAR DROP GATE		68905-90301-	3	1	6

PROD. DATE	MODELS	DESCRIPTION	R/P	PART NUMBER	QTY	REV. REF. CODE	
						FROM	UP TO
		+					
		+					
8311-8410	BJ42	HANDLE, BACK DOOR INSIDE PULL		69285-90801-01	1		80
8210-8311	BJ42, FJ40			74630-90800-	1	7	
8008-8210	BJ42, FJ40..V			74810-10010-01 (74810-10010-11)	1	1	6
		+					
		+					
8008-8410	BJ42, FJ40..V	HANDLE, BACK DOOR OUTSIDE		69201-60020- (69201-90901-)	1	1	80
8008-8410	BJ42, FJ40..V			69201-60020- (69201-90901-)	1	1	80
		+					
		+					
8008-8410	BJ42, FJ40..V	PAD, BACK DOOR OUTSIDE HANDLE		69249-90300-	1	1	80
8008-8410	BJ42, FJ40..V			69249-90300-	1	1	80
		+					
		+					
8110-8410	BJ42, FJ40	LOCK SUB-ASSY, BACK DOOR, UPPER		69350-90800-	1	7	80
8008-8110	BJ42, FJ40..V			69350-90302-	1	1	6
		+					
		+					
8008-8410	BJ42, FJ40..V	STRIKER ASSY, BACK DOOR, UPPER		69451-90302-	1	1	80
8008-8410	BJ42, FJ40..V			69451-90302-	1	1	80
		+					
		+					
8110-8410	BJ42, FJ40	LOCK SUB-ASSY, BACK DOOR, LOWER		69330-90800-	1	7	80
8008-8110	BJ42, FJ40..V			69360-90302-	1	1	6
		+					
		+					
8008-8410	BJ42, FJ40..V	STRIKER ASSY, BACK DOOR, LOWER		69451-90302-	1	1	80
8008-8410	BJ42, FJ40..V			69451-90302-	1	1	80
		+					
		+					
8008-8410	BJ42, FJ40..V	LOCK SUB-ASSY, BACK DOOR, CENTER		69310-90301-	1	1	80
8008-8410	BJ42, FJ40..V			69310-90301-	1	1	80
		+					
		+					
8008-8410	BJ42, FJ40..V	KNOB, DOOR LOCK KEY (FOR BACK DOOR, CENTER LOC K)		69388-90300-	1	1	80
8008-8410	BJ42, FJ40..V			69388-90300-	1	1	80
		+					
		+					
8008-8410	BJ42, FJ40..V	ROD, BACK DOOR LOCK CONTROL, UPPER		69764-90302-	1	1	80
8008-8410	BJ42, FJ40..V			69764-90302-	1	1	80
		+					
		+					
8008-8410	BJ42, FJ40..V	ROD, BACK DOOR LOCK CONTROL, LOWER		69765-90302-	1	1	80
8008-8410	BJ42, FJ40..V			69765-90302-	1	1	80

(8008- )



W/ Rear Heater



MH 8867

PROD. DATE	MODELS	DESCRIPTION	R/P	PART NUMBER	QTY	REV. REF. CODE	
						FROM	UP TO
FIG.	74-56 ASH RECEPTACLE						
	↑-----↑   74104	RETAINER SUB-ASSY, ASH RECEPTACLE. NO. 1					
8210-8410	BJ42, FJ40			74104-90800-	1	19	80
	↑-----↑   74110	RECEPTACLE ASSY, INSTRUMENT PANEL ASH					
8008-8210	BJ42, FJ40			74110-60010-	1	1	18
8210-8410	BJ42, FJ40			74102-90800-	1	19	80
	↑-----↑   74130	RECEPTACLE ASSY, REAR ASH					
8210-8410	BJ42, FJ40			74130-90000-	1	19	80
8008-8210	BJ42, FJ40, COND + FJ40 LKJA				1	1	18

PROD. DATE	MODELS	DESCRIPTION	R/P	PART NUMBER	QTY	REV. REF. CODE	
						FROM	UP TO
8210-8309	+	78314		BULB, CHOKE WARNING	1	19	
	FJ40	90781-11013-					
8008-8410	+	78410		CABLE ASSY, THROTTLE	1	1	80
	BJ42, FJ40	78410-90302-					
8008-8410	+	78410B		RING, THROTTLE	1	1	80
	BJ42, FJ40	78311-90351-					
8008-8410	+	78410D		NUT, THROTTLE	1	1	80
	BJ42, FJ40	90170-11002-					
8008-8410	+	78442		BRACKET, THROTTLE ROD	1	1	80
	BJ42, FJ40	78442-90301-					

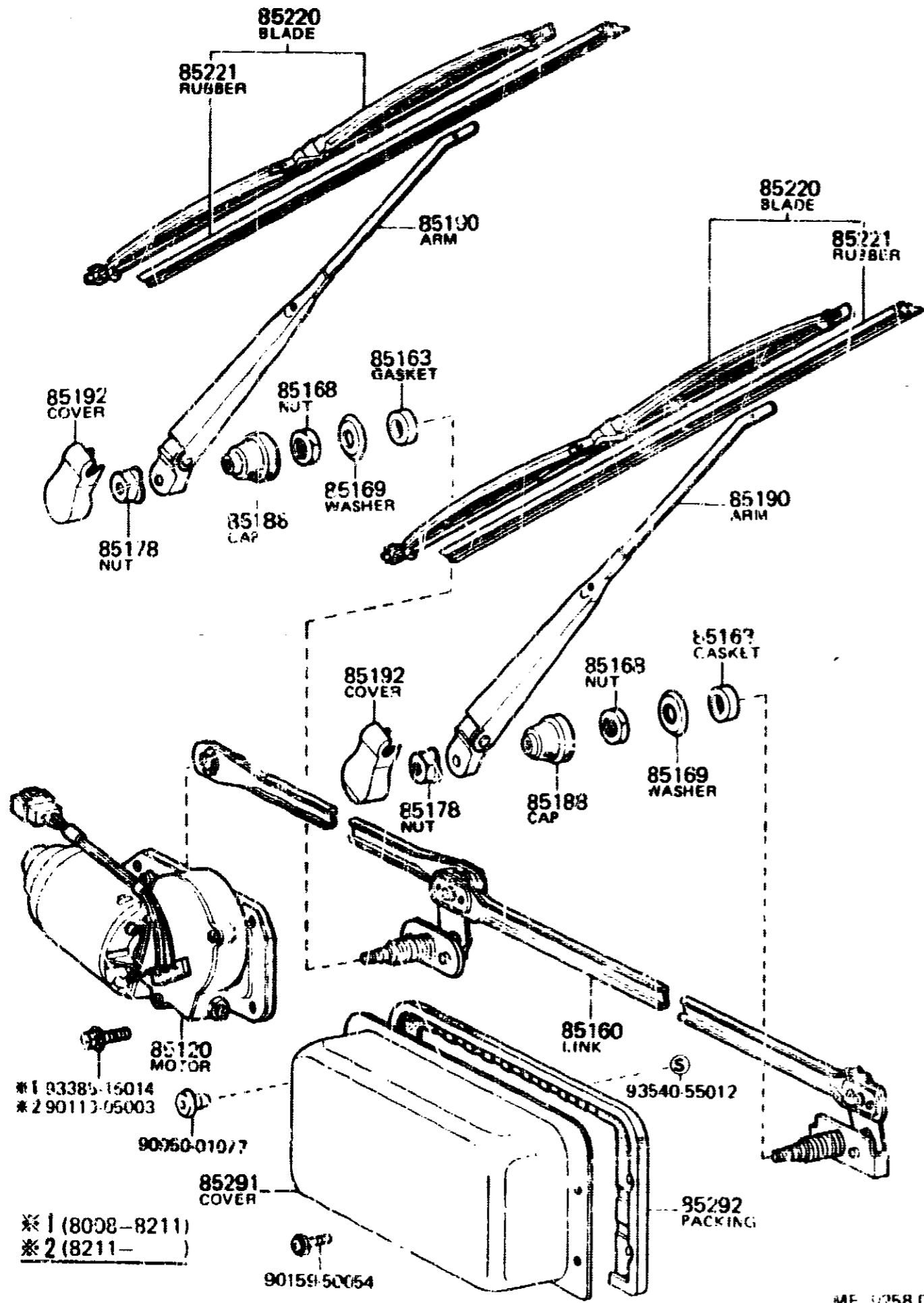
PROD. DATE	MODELS	DESCRIPTION	R/P	PART NUMBER	QTY	REV. REF. CODE	
						FROM	UP TO



PROD. DATE	MODELS	DESCRIPTION	R/P	PART NUMBER	QTY	REV. REF. CODE	
						FROM	UP TO
FIG.	82-02 WIRING & CLAMP						
	82001	CABLE, BOND, NO. 1					
8008-8410	BJ42			90980-07056-	1	1	80
8008-8410	EJ42, FJ40	ALTERNATOR		82046-14072-	1	1	80
8008-8103	FJ40	TRAILER SOCKET		82381-60010-	1	1	
8008-8309	FJ40			90980-07003-	1	1	
	82002	CABLE, BATTERY TO MAGNET SWITCH					
8008-8410	BJ42	W/ELECTRIC AL WINCH		38915-90300-	1	1	80
8008-8309	FJ40	W/ELECTRIC AL WINCH		38915-90302-	1	1	
	82002A	CABLE, MAGNET SWITCH TO WINCH					
8008-8410	BJ42	W/ELECTRIC AL WINCH		38916-90301-	1	1	80
8008-8309	FJ40	W/ELECTRIC AL WINCH		38916-90303-	1	1	
	82002B	CABLE, WINCH TO GROUND					
8008-8410	BJ42, FJ40	W/ELECTRIC AL WINCH		90980-07175-	1	1	80
	82051	HARNES. ASSY, FUEL CONTROL					
8008-8410	BJ42	W/EDIC		82051-90600-	1	1	80
	82210	HARNES. ASSY, WIRING COWL TO HEADLAMP, NO. 1					
8008-8110	BJ42			82210-90811-	1	1	6
8110-8210	BJ42			82210-90836-	1	7	18
8210-8303	BJ42			82210-90846- (82210-90858-)	1	19	34
8303-8410	BJ42			82210-90866-	1	35	80
8210-8309	FJ40			82210-90839-	1	19	
8210-8309	FJ40	COLD SPEC		82210-90840-	1	19	
8008-8110	FJ40..CND			82210-90805-	1	1	6
8008-8110	FJ40..USA	COLD SPEC		82210-90803-	1	1	6
8008-8110	FJ40..USA			82210-90804-	1	1	6

PROD. DATE	MODELS	DESCRIPTION	R/P	PART NUMBER	QTY	REV. REF. CODE	
						FROM	UP TO
8110-8210	FJ40..USA	HARNES. ASSY, WIRING COWL TO HEADLAMP, NO. 1		82210-90822-	1	7	18
8110-8210	FJ40..USA	COLD SPEC		82210-90823-	1	7	18
8008-8410	BJ42	FUSIBLE LINK		90982-08081-	1	1	80
8008-8110	FJ40			90982-08147-	1	1	6
8110-8309	FJ40			90982-08186-	1	7	
8008-8110	BJ42	FUSIBLE LINK		90982-08151-	1	1	6
8110-8210	BJ42			90982-08191-	1	7	18
8210-8410	BJ42			90982-08213-	1	19	80
8008-8101	BJ42, FJ40	WIRE, REAR HEATER		82213-90820-	1	1	
8008-8410	BJ42, FJ40	WIRE, LAMP		82214-90800-	2	1	80
8008-8410	BJ42, FJ40..CND	WIRE, PARKING BRAKE LAMP SWITCH		82215-90803-	1	1	80
8008-8309	FJ40..USA			82215-90802-	1	1	
8008-8110	BJ42	HARNES. ASSY, WIRING COWL		82220-90814-	1	1	6
8110-8210	BJ42			82220-90849-	1	7	18
8210-8303	BJ42			82220-90866-	1	19	34
8303-8309	BJ42			82220-90893-	1	35	
8309-8410	BJ42			82220-90474-	1		80
8309-8309	FJ40			82220-90472-	1		
8008-8110	FJ40..CND			82220-90805-	1	1	6
8008-8110	FJ40..USA			82220-90804-	1	1	6
8110-8210	FJ40..USA			82220-90830-	1	7	18
8210-8309	FJ40..USA			82220-90857-	1	19	

(8008- )

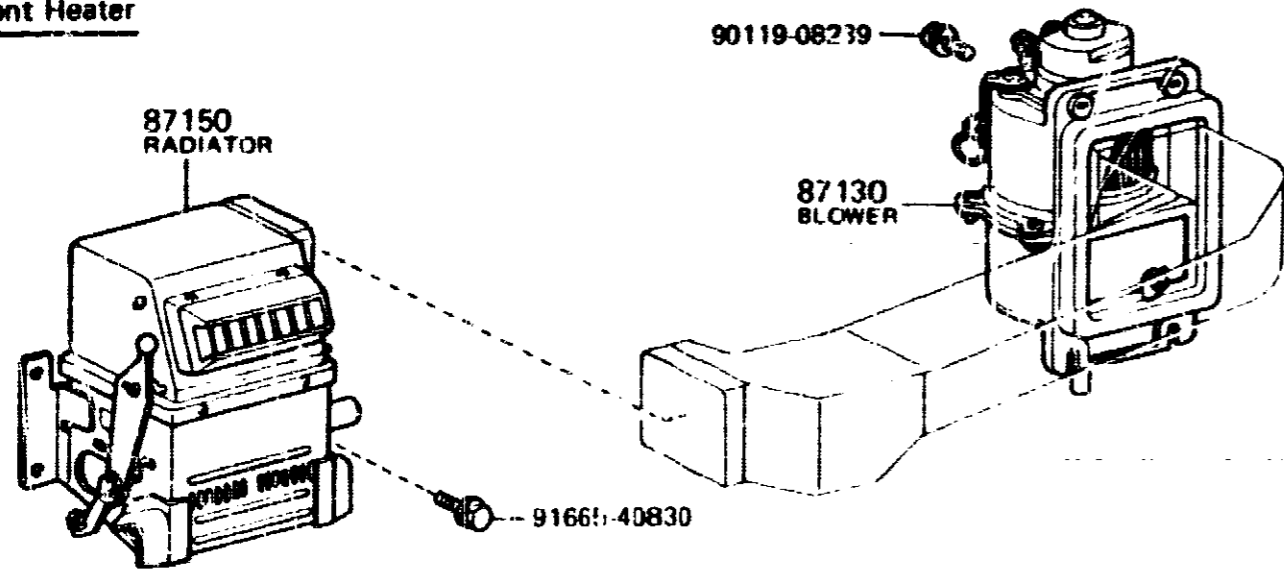


PROD. DATE	MODELS	DESCRIPTION	P/N	PART NUMBER	QTY	REV. REF. CODE	
						FROM	UP TO
FIG.	85-01 WINDSHIELD WIPER						
	1 85120	MOTOR AND BRACKET ASSY, WINDSHIELD WIPER					
8008-8012	BJ42			* 85120-90311- (85120-90805- )	1	1	
8012-8110	BJ42			85120-90805-	1		5
8110-8410	BJ42			85120-90811-	1	7	80
8008-8012	FJ40..USA			* 85120-90308- (85120-90802- )	1	1	
8012-8110	FJ40..USA			85120-90802-	1		6
8110-8309	FJ40..USA			85120-90807-	1	7	
8008-8012	FJ40..V	COLD SPEC		* 85120-90310- (85120-90804- )	1		
8012-8110	FJ40..V	COLD SPEC		85120-90804-	1		6
8110-8309	FJ40..V	COLD SPEC		85120-90810-	1	7	
	1 85160	LINK ASSY, WINDSHIELD WIPER					
8008-8410	BJ42, FJ40..V	COLD SPEC		85160-90302-	1	1	80
8008-8309	FJ40..USA			85160-90300-	1	1	
	1 85163	PACKING, WINDSHIELD WIPER PIVOT					
8008-8410	BJ42, FJ40			85185-25040-	2	1	80
	1 85168	NUT, WINDSHIELD WIPER LINK PIVOT					
8008-8410	BJ42, FJ40			85168-55010-	2	1	80
	1 85169	WASHER, WINDSHIELD WIPER LINK PIVOT, NO. 1					
8008-8410	BJ42, FJ40			90209-12002-	2	1	80
	1 85178	NUT (FOR WIPER ARM SETTING)					
8008-8410	BJ42, FJ40			90179-06158-	2	1	80
	1 85188	CAP, WINDSHIELD WIPER PIVOT, NO. 1					
8008-8410	BJ42, FJ40			85135-90300-	2	1	80
	1 85190	ARM ASSY, WINDSHIELD WIPER					
8008-8410	BJ42, FJ40			85190-90305-	2	1	80

ME 9258 D

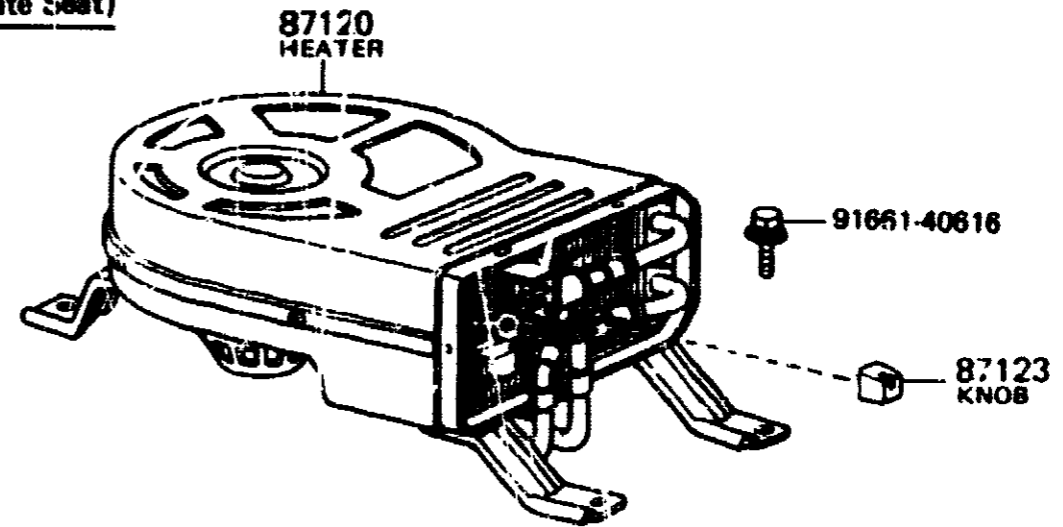
( 8008- )

Front Heater

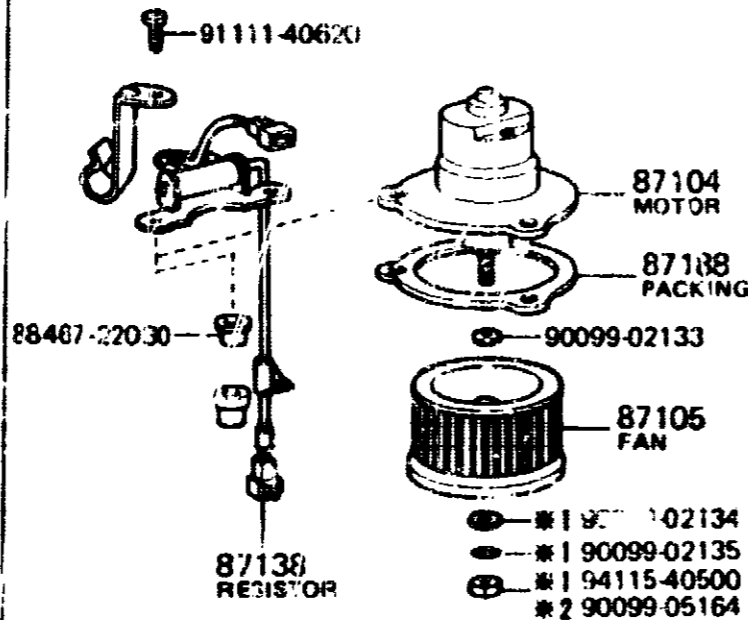
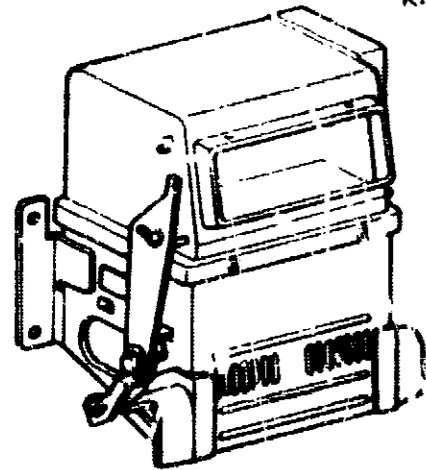


( 8008- )

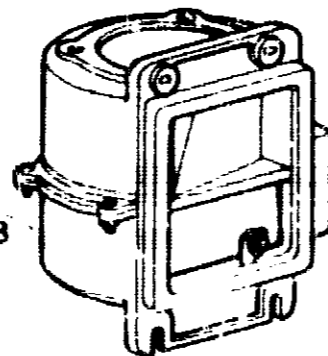
Rear Heater  
(Separate Seat)



87123 KNOB

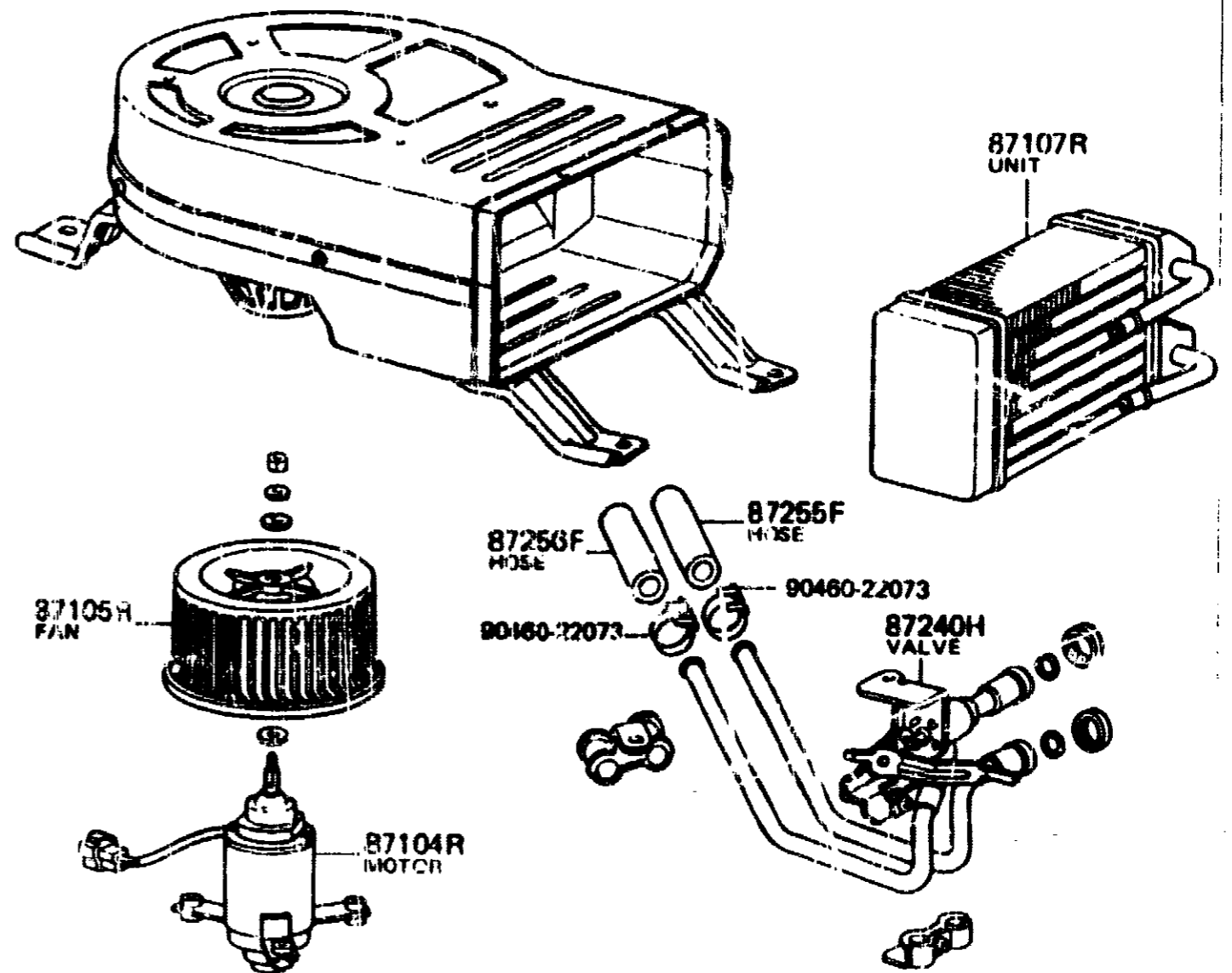


\*1 (8008-8205)  
\*2 (8205- )



ME 9333 C

ME9333C



ME 9332 B

ME9332B N74-11-0139

PROD. DATE	MODELS	DESCRIPTION	R/P	PART NUMBER	QTY	REV. REF. CODE	
						FROM	UP TO
		↑ 88321 ↓ ↑ HEAD, COOLER COMPRESSOR CYLINDER ↓					
8008-8309	FJ40..V..USA	FR		88321-20061-	1	1	
8008-8309	FJ40..V..USA	RR		88322-20040-	1	1	
		↑ 88321A ↓ ↑ PLATE SUB-ASSY, VALVE ↓					
8008-8309	FJ40..V..USA	FR		88305-20070-	1	1	
8008-8309	FJ40..V..USA	RR		88306-20040-	1	1	
		↑ 88321B ↓ ↑ REED SUB-ASSY, VALVE ↓					
8008-8309	FJ40..V..USA	SMALL		88307-20050-	2	1	
8008-8309	FJ40..V..USA	LARGE		88307-20060-	2	1	
		↑ 88321C ↓ ↑ REED, SUCTION VALVE ↓					
8008-8309	FJ40..V..USA			88343-20040-	2	1	
		↑ 88322 ↓ ↑ VALVE, COOLER COMPRESSOR SUCTION SERVICE ↓					
8210-8307	FJ40			88371-60070-	1		
8008-8210	FJ40..V..USA			88371-60030-	1	1	
		↑ 88325A ↓ ↑ PIN, CYLINDER BLOCK ↓					
8008-8309	FJ40..V..USA			90099-08058-	4	1	
		↑ 88329 ↓ ↑ PISTON SUB-ASSY, COOLER COMPRESSOR ↓					
8008-8309	FJ40..V..USA			88301-20050-	3	1	
		↑ 88329B ↓ ↑ BALL, PISTON ↓					
8008-8309	FJ40..V..USA			88312-30250-	6	1	
		↑ 88329C ↓ ↑ SHOE, PISTON ↓					
8008-8309	FJ40..V..USA			88313-20070-	5	1	
		↑ 88329E ↓ ↑ RING, PISTON ↓					
8008-8309	FJ40..V..USA			88317-20030-	6	1	
		↑ 88330 ↓ ↑ CLUTCH ASSY, MAGNET ↓					
8008-8106	FJ40..V..USA			88410-22060- (88410-14090- )	1	1	
8106-8309	FJ40..V..USA			88410-14090-	1		

PROD. DATE	MODELS	DESCRIPTION	R/P	PART NUMBER	QTY	REV. REF. CODE	
						FROM	UP TO
		↑ 88330B ↓ ↑ BEARING, MAGNET CLUTCH ↓					
8008-8106	FJ40..V..USA			90099-10117- (90099-10108- )	2	1	
8106-8309	FJ40..V..USA			90099-10133-	1		
		↑ 88330C ↓ ↑ RING, SNAP (FOR MAGNET CLUTCH) ↓					
8008-8106	FJ40..V..USA			90099-07094-	1	1	
8106-8309	FJ40..V..USA			90099-07114-	1		
		↑ 88332 ↓ ↑ VALVE, COOLER COMPRESSOR DISCHARGE SERVICE ↓					
8008-8309	FJ40..V..USA			88372-30280-	1	1	
		↑ 88360 ↓ ↑ SEAL ASSY, COOLER COMPRESSOR SHAFT ↓					
8008-8309	FJ40..V..USA			88360-30270- (88360-30280- )	1	1	
		↑ 88364 ↓ ↑ BEARING, COMPRESSOR CRANKSHAFT, REAR ↓					
8008-8309	FJ40..V..USA			88366-20050-	1	1	
		↑ 88374 ↓ ↑ VALVE, COOLER COMPRESSOR SERVICE ↓					
8008-8309	FJ40..V..USA			88374-12020-	2	1	
		↑ 88375 ↓ ↑ CAP, COOLER COMPRESSOR SERVICE VALVE ↓					
8008-8309	FJ40..V..USA			88375-30260- (88375-30270- )	2	1	
		↑ 88403 ↓ ↑ HUB SUB-ASSY, MAGNET CLUTCH ↓					
8008-8106	FJ40..V..USA			88403-26030- (88403-30270- )	1	1	
8106-8309	FJ40..V..USA			88403-14030-	1		
		↑ 88431 ↓ ↑ BRACKET, COMPRESSOR MOUNTING, NO.1 ↓					
8008-8011	FJ40..V..USA			88437-60100-	1	1	
8011-8309	FJ40..V..USA			88437-60170-	1		
		↑ 88444 ↓ ↑ BRACKET, DLE PULLEY ↓					
8008-8309	FJ40..V..USA			88444-60020-	1	1	

PART	NAME	LOCATION
HOSE (FOR IDLE UP DEVICE)	-----	3-E10
HOSE (FOR RADIATOR RESERVE TANK)	-----	1-A4
HOSE (FOR RESERVOIR TANK INLET)	-----	2-E6
HOSE (FOR RETURN TUBE OUTLET)	-----	2-E6
HOSE (FOR VACUUM RESERVOIR TO BRAKE BOOSTER)	-----	2-D7
HOSE OR PIPE, FUEL (FOR INJECTION PUMP TO FUEL FILTER)	-----	1-G7
HOSE OR TUBE (FOR FUEL EVAPORATIVE SEPARATOR)	-----	3-E6
HOSE SUB-ASSY, REAR AXLE BREATHER	-----	2-F4
HOSE, AIR CLEANER, NO.1	-----	1-L4
HOSE, AIR CLEANER, NO.2	-----	1-L4
HOSE, BREATHER	-----	1-B4
HOSE, CHARCOAL CANISTER	-----	3-G6
HOSE, CONNECTOR TO CHECK VALVE	-----	2-D7
HOSE, COOLER REFRIGERANT DISCHARGE, NO.1	-----	3-F10
HOSE, COOLER REFRIGERANT LIQUID, NO.1	-----	3-F10
HOSE, COOLER REFRIGERANT SUCTION, NO.1	-----	3-F10
HOSE, COOLER UNIT DRAIN, NO.1	-----	3-L9
HOSE, FLEXIBLE (FOR BRAKE TUBE)	-----	2-L7
HOSE, FLEXIBLE (FOR CLUTCH MASTER TO RELEASE CYLINDER)	-----	2-D1
HOSE, FLEXIBLE (FOR FRONT)	-----	2-L7
HOSE, FLEXIBLE (FOR REAR BRAKE TUBE)	-----	2-L7
HOSE, FUEL	-----	1-F7
HOSE, FUEL (FOR FUEL EVAPORATIVE SEPARATOR)	-----	1-K6
HOSE, FUEL PIPE, NO.1	-----	3-E6
HOSE, FUEL TANK SUB, INLET	-----	3-E6
HOSE, FUEL, (FOR VAPOR FEED)	-----	3-G6
HOSE, FUEL, NO.1 (FOR CHARCOAL CANISTER)	-----	3-G6
HOSE, FUEL, NO.1 (FOR EMISSION TUBE, NO.1)	-----	3-F6
HOSE, FUEL, NO.1 (FOR FUEL TANK)	-----	3-E6
HOSE, FUEL, NO.2 (FOR EMISSION TUBE, NO.1)	-----	3-F6
HOSE, FUEL, NO.4 (FOR CHARCOAL CANISTER)	-----	3-G6
HOSE, FUEL, NO.1 (FOR MAIN TUBE, NO.1)	-----	3-E6
HOSE, FUEL, NO.1 (FOR RETURN TUBE, NO.1)	-----	3-F6
HOSE, FUEL, NO.2 (FOR MAIN TUBE, NO.1)	-----	3-F6
HOSE, FUEL, NO.2 (FOR RETURN TUBE, NO.1)	-----	3-F6
HOSE, FUEL, NO.3 (FOR MAIN TUBE, NO.1)	-----	3-F6
HOSE, FUEL, NO.3 (FOR RETURN TUBE, NO.1)	-----	3-F6
HOSE, HEATER BLOWER DRAIN	-----	3-K9
HOSE, HEATER DEFROSTER, LH	-----	3-A10
HOSE, HEATER DEFROSTER, RH	-----	3-A10
HOSE, HEATER WATER INLET, A (FROM ENGINE)	-----	3-C10
HOSE, HEATER WATER INLET, B	-----	3-C10
HOSE, HEATER WATER INLET, F (FOR HEATER UNIT)	-----	3-K9
HOSE, HEATER WATER OUTLET, B	-----	3-C10
HOSE, HEATER WATER OUTLET, E (TO ENGINE)	-----	3-C10
HOSE, HEATER WATER OUTLET, F (FOR HEATER UNIT)	-----	3-K9
HOSE, NO.1 (FOR AIR INJECTION SYSTEM)	-----	1-B5
HOSE, NO.2 (FOR AIR INJECTION SYSTEM)	-----	1-B5
HOSE, NO.3 (FOR AIR INJECTION SYSTEM)	-----	1-B5
HOSE, NO.4 (FOR AIR INJECTION SYSTEM)	-----	1-B5
HOSE, NO.5 (FOR AIR INJECTION SYSTEM)	-----	1-B5
HOSE, NO.6 (FOR AIR INJECTION SYSTEM)	-----	1-C5
HOSE, OIL COOLER	-----	1-G5
HOSE, OUTER VENT VALVE TO CARBURETOR	-----	3-G6
HOSE, POWER STEERING OIL COOLER INLET	-----	2-D6
HOSE, POWER STEERING OIL COOLER OUTLET	-----	2-D6
HOSE, PRESSURE FEED	-----	2-D6
HOSE, RADIATOR, INLET	-----	1-B4
HOSE, RADIATOR, OUTLET	-----	1-B4
HOSE, REAR HEATER WATER INLET, A (FROM ENGINE)	-----	3-D10
HOSE, REAR HEATER WATER INLET, F (FOR HEATER UNIT)	-----	3-K9
HOSE, REAR HEATER WATER OUTLET, E (TO ENGINE)	-----	3-D10
HOSE, REAR HEATER WATER OUTLET, F (FOR HEATER UNIT)	-----	3-K9

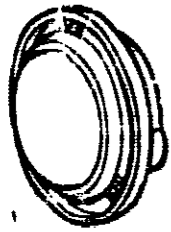
PART	NAME	LOCATION
HOSE, ROOF SIDE VENT, LH	-----	3-H3
HOSE, ROOF SIDE VENT, RH	-----	3-H3
HOSE, UNION TO CONNECTOR	-----	2-D7
HOSE, UNION TO WAY	-----	2-D7
HOSE, VACUUM NO.1 (VENTURI TO GOVERNOR)	-----	1-J8
HOSE, VACUUM NO.2 (VENTURI TO GOVERNOR)	-----	1-J8
HOSE, VACUUM PUMP OIL INLET	-----	1-J6
HOSE, VACUUM PUMP OIL OUTLET	-----	1-J6
HOSE, VENTILATION, NO.2	-----	1-E2
HOSE, VENTILATION, NO.3	-----	1-E2
HOSE, VENTILATION, NO.4	-----	1-E2
HOSE, WATER BY-PASS	-----	1-M3
HOSE, WINDSHIELD WASHER (FROM JOINT TO JOINT OR NOZZLE)	-----	3-A9
HOSE, WINDSHIELD WASHER (FROM JOINT TO NOZZLE)	-----	3-A9
HOSE, WINDSHIELD WASHER (FROM MOTOR TO JOINT OR NOZZLE)	-----	3-A9
HOUSING ASSY, FRONT AXLE, NO.1	-----	2-A5
HOUSING ASSY, REAR AXLE	-----	2-F4
HOUSING ASSY, STARTER DRIVE	-----	1-F6
HOUSING ASSY, STEERING GEAR	-----	2-K5
HOUSING SUB-ASSY, INJECTION PUMP	-----	1-H7
HOUSING SUB-ASSY, POWER STEERING GEAR	-----	2-A5
HOUSING SUB-ASSY, PUMP	-----	2-M5
HOUSING SUB-ASSY, PUMP, REAR	-----	2-M5
HOUSING SUB-ASSY, STEERING GEAR	-----	2-K5
HOUSING SUB-ASSY, VALVE	-----	2-H5
HOUSING SUB-ASSY, WINCH DRUM	-----	2-K3
HOUSING, CLUTCH OR TRANSMISSION (MTM)	-----	2-K1
HOUSING, GOVERNOR DIAPHRAGM	-----	1-L7
HOUSING, POLE CONNECTOR	-----	1-M5
HOUSING, STEERING COLUMN	-----	2-K5
HOUSING, WATER OUTLET	-----	1-M3
HUB (OR SHAFT) & BRAKE DRUM REAR AXLE, LH	-----	2-J4
HUB (OR SHAFT) & BRAKE DRUM REAR AXLE, RH	-----	2-I4
HUB ASSY, FREE WHEEL	-----	2-E5
HUB SUB-ASSY, MAGNET CLUTCH	-----	3-J10
HUB, BOOSTER REACTION DISK	-----	2-C7
HUB, CLUTCH RELEASE BEARING	-----	2-B1
HUB, FRONT AXLE	-----	2-E5
HUB, REAR AXLE	-----	2-I4
HUB, TIMER	-----	1-C8
HUB, TRANSFER CLUTCH	-----	2-C3
HUB, TRANSMISSION CLUTCH, NO.2	-----	2-C2
HUB, WINCH CLUTCH	-----	2-L3
IGNITER ASSY	-----	3-H8
INLET SUB-ASSY, AIR CLEANER	-----	1-L4
INLET, AIR CLEANER, NO.1	-----	1-L4
INLET, EGR	-----	1-H8
INSULATOR	-----	1-B7
INSULATOR SUB-ASSY, EXHAUST PIPE HEAT NO.1	-----	1-I4
INSULATOR, CARBURETOR HEAT	-----	1-L6
INSULATOR, ENGINE MOUNTING, FRONT	-----	1-C2
INSULATOR, ENGINE MOUNTING, REAR NO.1	-----	1-C2
INSULATOR, EXHAUST MANIFOLD HEAT, NO.1	-----	1-E4
INSULATOR, EXHAUST MANIFOLD HEAT, NO.2	-----	1-E4
INSULATOR, EXHAUST MANIFOLD HEAT, NO.3	-----	1-E4
INSULATOR, EXHAUST PIPE HEAT	-----	1-I4
INSULATOR, EXHAUST PIPE HEAT, NO.2	-----	1-I4
INSULATOR, FRONT FLOOR HEAT, NO.1	-----	3-L2
INSULATOR, FUEL PUMP	-----	1-D8
INSULATOR, HEAT	-----	3-L2
INSULATOR, HOOD	-----	3-L1
INSULATOR, MAIN MAFFLAR HEAT	-----	3-L2
INSULATOR, RADIATOR PIPE	-----	1-B4
JACK ASSY	-----	1-A1

PART NUMBER	LOCATION	PART NUMBER	LOCATION	PART NUMBER	LOCATION	PART NUMBER	LOCATION	PART NUMBER	LOCATION	PART NUMBER	LOCATION
90301-51001-	2-I5	90341-18057-	2-F4	90369-38001-	1-I3	90430-18244-	1-K1	90480-24517-	2-D7	90520-30216-	2-C2
-59044-	2-K3		2-K1	90374-30003-	2-H5	-20006-	3-E6	90501-05014-	3-A4	-30218-	2-C2
-60122-	2-K5		2-M2	90384-22109-	2-A6	-24047-	3-E6	-05141-	1-A8	-30301-	2-D5
-63061-	2-I5		2-M2		2-M5	-25013-	1-K1	-06445-	2-B6	-30307-	2-C3
-64002-	2-I5	-18089-	1-K1	-22110-	2-M5	-37140-	1-H1	-08022-	1-F4	-33110-	2-C3
-65145-	2-H5	-20003-	3-E6	-26102-	2-H6	-43002-	1-A4	-10067-	2-H2	-36015-	2-B2
-69170-	2-M5	-24036-	3-E6	90385-12029-	2-J6	-90001-	1-K4	-10745-	2-J6	-36016-	2-B2
-77001-	1-G7	-25054-	1-K1	-16007-	2-E8	90440-11043-	3-A2	-12447-	2-A6	-36250-	2-B2
90303-24033-	2-H6	90344-53002-	1-E4		2-H2	-17057-	3-E2	-13011-	2-H2	-36251-	2-B2
90310-09001-	2-L1	-53011-	1-E4	90386-03001-	1-L4	90445-04001-	3-H3	-14029-	2-D3	-36252-	2-B2
-21034-	2-M5	90345-52001-	1-K1	-10121-	2-M3	-07065-	3-A9	-14035-	2-G2	-36253-	2-B2
-24001-	2-H6	-53001-	1-K1	-13007-	2-D1	-09003-	3-A9	-14069-	2-G2	-36254-	2-B2
-32024-	2-K5	-53002-	2-A8		2-L6	-11014-	1-I8	-14076-	2-G2	-36255-	2-B2
-35001-	2-I4	-54004-	1-G1	-16004-	3-D1	-12023-	1-A4	-14772-	2-H2	90521-34002-	1-G2
90311-16002-	2-G2	-54005-	1-G1	-20002-	3-D1	-12063-	1-A4	-16163-	1-L2	-36003-	1-G2
-18001-	2-K5	90360-06004-	2-B3	90387-10004-	2-D1	-12905-	1-G5	-16750-	2-F2	-46125-	2-H5
-19002-	2-I5	-06004-	2-C2	-10004-	2-L5	-17008-	2-D7	-20012-	2-G7	-52003-	2-J5
-22005-	2-E3		2-G2	-10028-	1-C2	-17038-	2-D7	-23018-	1-K2	-75023-	2-C3
-28004-	2-K1		2-L3	-10055-	1-E4	-17043-	1-E2	-29380-	2-J5	90522-32011-	2-H6
-33085-	2-A5	-06021-	2-I5	90389-18002-	2-D8	-17044-	2-D7	-32259-	3-A4		2-I6
-38134-	2-B5	-08009-	2-H2		2-G8	-17800-	2-D7	-32791-	2-J2	-40043-	2-E7
	2-E4	-10003-	2-D3	90401-14060-	1-F8	-17855-	2-D7	-45114-	2-I6	-48044-	2-E7
-45069-	1-M1		2-H2	-14093-	1-C3	-17908-	2-D7	-45123-	2-H6	90523-15025-	2-G2
-47001-	2-I4	90361-05001-	2-H2	-18002-	1-B3	-17927-	2-D7	-45342-	1-K2	90524-15008-	1-L2
-48002-	2-L2	-06049-	2-B2	-18083-	1-G3	-18086-	2-E6	-47003-	1-K2	90540-09059-	3-I6
	2-M2	-10037-	2-H2	-18084-	1-G3	-13104-	2-D6	90502-16004-	1-L2	-10022-	3-A2
-48003-	2-M2	90363-12002-	2-B1	90402-13041-	1-K6		2-E6	-29001-	2-J2	90541-03078-	3-F6
-48007-	2-L2	-15004-	2-B1	-16042-	1-B3	-18105-	2-D6	90506-12031-	2-G7	-06008-	2-D1
-50002-	1-M1	-18038-	2-J5	-26072-	1-H8	-22016-	3-E6	-12034-	3-I6		2-L6
-62001-	2-D5	-20003-	2-J5	-26074-	1-H8	90446-06013-	3-A9	-12042-	3-E1		3-F2
	2-I4	-35013-	2-B3	-33079-	1-H8	-00016-	3-A9	-12450-	2-D1		3-I6
-95001-	1-A2		2-C3	90404-10013-	2-F4	90447-12001-	1-I8		2-L6	90560-06238-	3-I6
-99065-	1-H2	-35017-	2-B2	-14529-	1-C5	-12016-	1-I8	-12480-	3-E1	-09025-	3-K3
90312-17001-	2-K1	-40018-	2-B2	-16008-	1-B3	-18012-	2-E6	-16297-	2-B1	-12909-	3-F1
-32001-	2-I5	-45001-	2-B1	-14160-	1-G1	90460-01001-	2-E6	-16475-	2-B1		3-G1
90313-13001-	2-D3	-45002-	2-B1	-51037-	2-D7		2-E6	-18031-	2-G7	-12017-	3-F1
-93001-	2-I4	-52001-	2-B1	-51038-	2-D7	-01007-	1-L6	-20033-	2-H7	-12263-	1-A4
-93011-	2-B8	-52086-	2-B1		3-E10	-24039-	1-G3	-26011-	2-G7	-30184-	2-H5
90330-24013-	1-J1	90364-17010-	2-C3	-53035-	1-E4	-50016-	1-B3	-26014-	2-G7		2-E4
90331-12002-	2-F2	-32001-	2-H5	90405-09041-	2-D7	90461-10787-	2-G1	90508-16028-	3-F2	-30185-	2-B5
-15050-	2-F2	-32007-	2-D2	90407-10003-	2-H6	-10448-	1-I1	-16029-	3-F2		2-E4
	2-K3	-34006-	2-B3	90410-06030-	2-B6	90466-00253-	1-J1	-26125-	3-I6	-30186-	2-B5
	2-L2	-44065-	2-B2		2-H5	90467-04006-	3-L1	-26392-	3-I6		2-E4
-18001-	2-F2		2-C2	-11005-	1-B3	-04100-	2-G3	90510-08001-	1-F4	-30187-	2-B5
-20001-	2-K3	90365-32002-	2-C2	-18002-	1-H8		3-L1	-08002-	1-F4		2-E4
-21001-	1-G1	-32010-	2-D2	-25041-	1-H8	-06004-	3-L1	90520-01002-	3-E4	-30188-	2-B5
-40024-	1-G1	-40001-	2-D2	90412-09006-	2-D7	-07003-	3-G2	-07001-	2-G2		2-E4
-48010-	1-K2	-40002-	2-B2	-10015-	2-L7	-09008-	3-L1	-08098-	2-F2	-30190-	2-B5
-51032-	1-J1	-47013-	2-I4	-10089-	2-L7	-11085-	1-A4	-14002-	2-G2	-30190-	2-E4
	1-K2	90366-17001-	2-B8	90413-10031-	2-L7	-16001-	2-I7	-17042-	2-J5	-30191-	2-B5
-56001-	1-K2	-30011-	2-B5	-10042-	2-L7	-16141-	2-D7	-17269-	2-J5		2-E4
90334-07004-	1-C1		2-E4	-10086-	2-L7	-18028-	1-E2	-27091-	2-C5	-30192-	2-B5
90340-25001-	2-I6	-35011-	2-C3	90414-10009-	2-L7	-24038-	1-E7	-28036-	2-C5		2-E4
90341-10004-	2-H2	-40004-	2-B5	90430-06104-	2-M6	-28001-	1-B5	-29002-	2-G3	-30199-	2-B5
-12008-	2-H2		2-D4	-09253-	2-M6		1-C5	-29024-	2-G3		2-E4
-15001-	2-D3	90368-45066-	2-A5	-10074-	2-D1	-28003-	1-B5	-29025-	2-G3	-34001-	2-C3
-18072-	2-K1		2-E4	-15261-	1-B3	-31001-	1-B5	-29026-	2-G3	-35005-	2-B3
	2-K3	-45087-	2-D5	-18007-	2-K1	-42001-	1-B4	-29027-	2-G3	-35007-	2-B2
	2-M2		2-I4		2-K3	90468-12003-	2-E7	-29051-	1-K2	-35008-	2-B3
-18036-	2-K1	-49084-	2-D5		2-L2	90480-01167-	3-C10	-29059-	2-D2	-36001-	2-B2
	2-M2		2-I4		2-K1	-15227-	3-I6	-29286-	2-G3	90562-30001-	2-H5
-17049-	2-A5	90369-22001-	2-I5	-16005-	2-L2	-16000-	3-M1	-3287-	2-G3	-31001-	2-H5
	2-F4	-30028-	1-I3	-13012-	1-B3	-17158-	1-J6	-29288-	2-G3	-32001-	2-H5
-18057-	2-A5	-35007-	1-I3		1-G3	-18180-	1-E2	-30214-	2-C2	-47001-	2-H5

# ILLUSTRATED INDEX

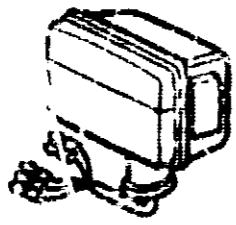
# J16

3-KC (81-01) 1



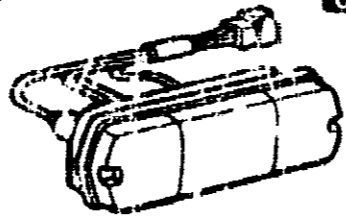
Headlamp

3-L6 (81-03) 2



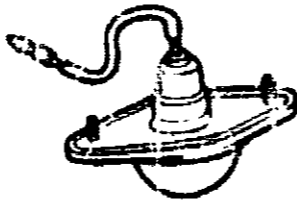
Front Turn Signal Lamp

3-M6 (31-11) 3



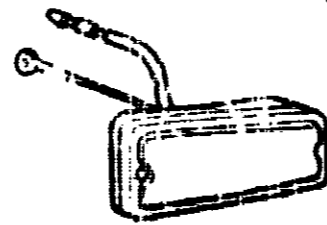
Rear Combination Lamp

3-B7 (81-13) 4



License Plate Lamp

3-C7 (81-14) 5



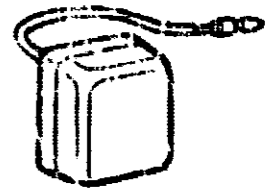
Rear Side Marker Lamp

3-D7 (81-15) 6



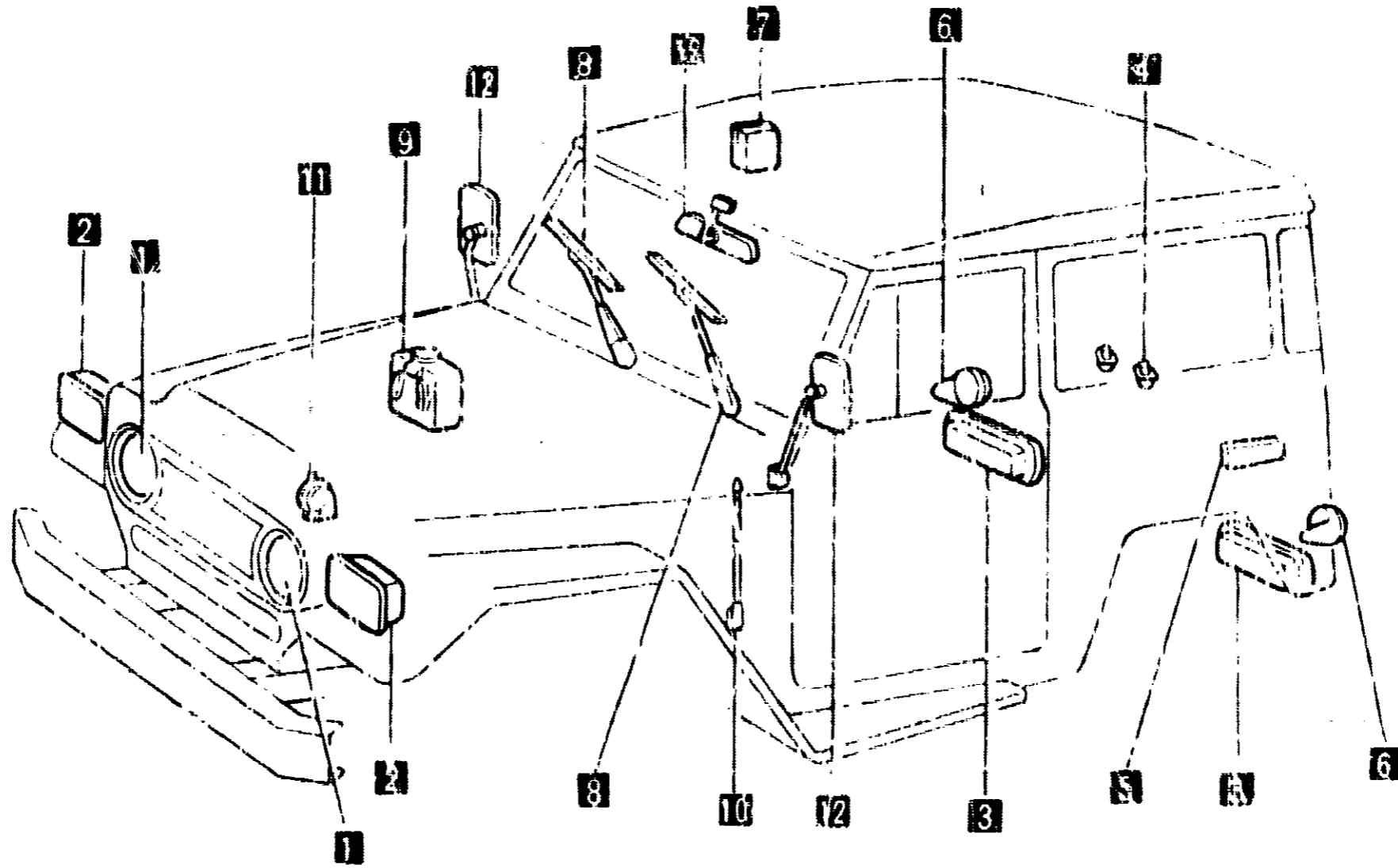
Reflex Reflector

3-E7 (81-21) 7

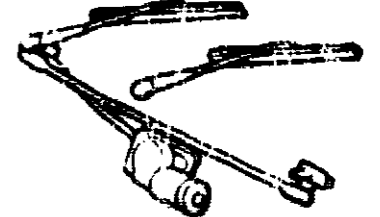


Interior Lamp

## ELECTRICAL GROUP (1 / 2)

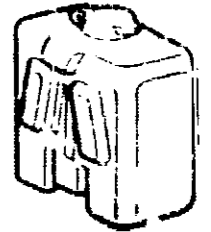


3-J8 (85-01) 8



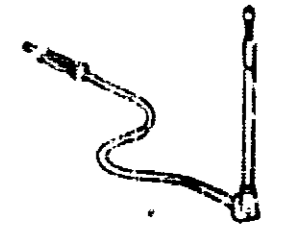
Windshield Wiper

3-L8 (85-03) 9



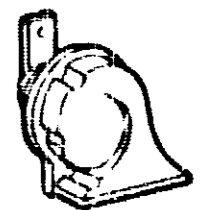
Windshield Washer

3-E9 (36-04) 10



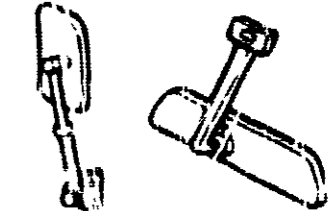
Antenna

3-F9 (86-11) 11



Horn

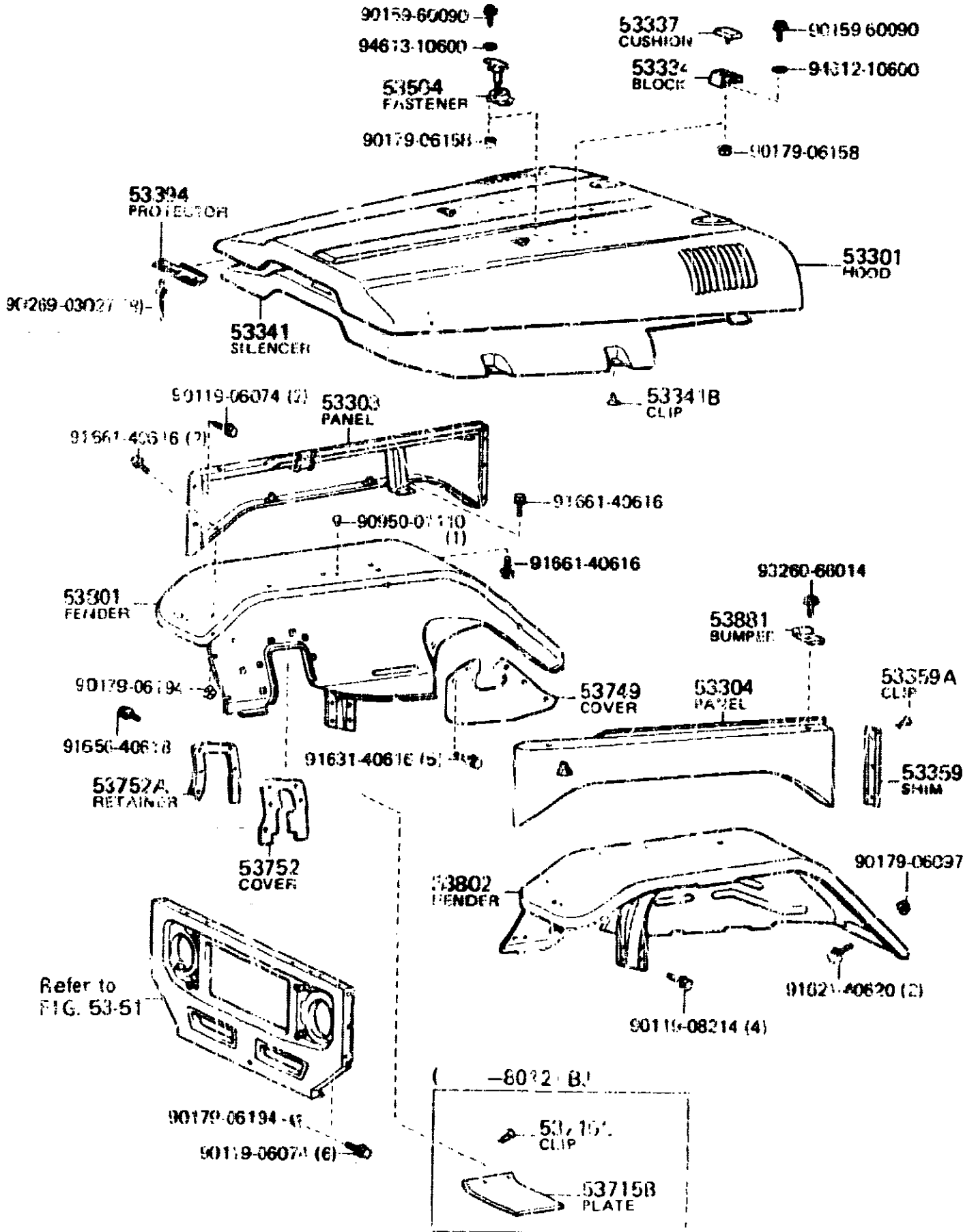
3-G9 (87-01) 12



Mirror

ME 19650 B

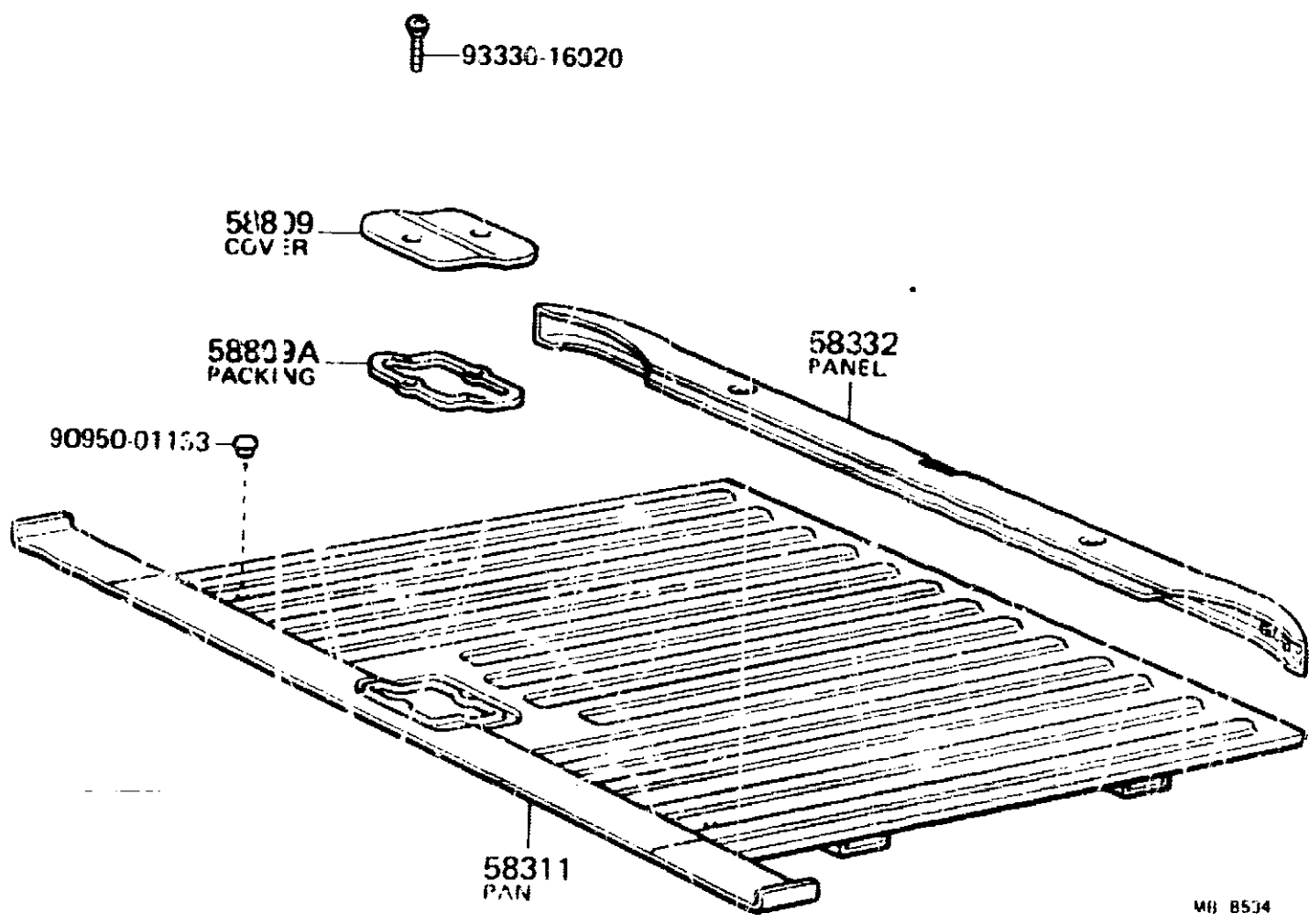
(8) 18



PROD. DATE	MODELS	DESCRIPTION	PART NUMBER	QTY	REV. REF. CODE	
					FROM	UP TO
FIG.	53-53 HOOD & FRONT FENDER					
	53301	HOOD SUB-ASSY				
8307-8410	BJ42		53301-90808-	1		80
8008-8105	BJ42, FJ40	W/SILENCER	53301-90801- (53301-90808-	1	1	
8105-8110	BJ42, FJ40			1		6
8110-8301	BJ42 FJ40		53301-90808-	1	7	
8008-8105	FJ40	W/O SILENCER	53301-90311- (53301-90808-	1	1	
8301-8309	FJ40		53301-90810-	1		
	53303	PANEL SUB-ASSY, HOOD SIDE, RH				
8008-8012	BJ42		53303-90802-	1	1	
8012-8108	BJ42		53303-90807- (53303-90808-	1		
8108-8410	BJ42		53303-90806-	1		80
8008-8012	FJ40		53303-90801-	1	1	
8012-8309	FJ40		53303-90805-	1		
	53304	PANEL SUB-ASSY, HOOD SIDE, LH				
8008-8012	BJ42		53304-90803-	1	1	
8012-8108	BJ42		53304-90808-	1		
8108-8410	BJ42, FJ40..CND			1		80
8008-8012	FJ40..CND		53304-90801-	1	1	
8012-8108	FJ40..CND		53304-90806- (53304-90801-	1		
8008-8012	FJ40..USA		53304-90802-	1	1	
8012-8309	FJ40..USA		53304-90807-	1		
	53334	BLOCK, WINDSHIELD REST				
8008-8410	BJ42, FJ40		53334-90303-	2	1	80
	53337	CUSHION, WINDSHIELD REST BLOCK				
8008-8410	BJ42, FJ40		53337-90301-	2	1	80
	53341	SILENCER, HOOD, NO. 1				
8008-8410	BJ42, FJ40..CND		53341-90800-	1	1	80



( 8008- )



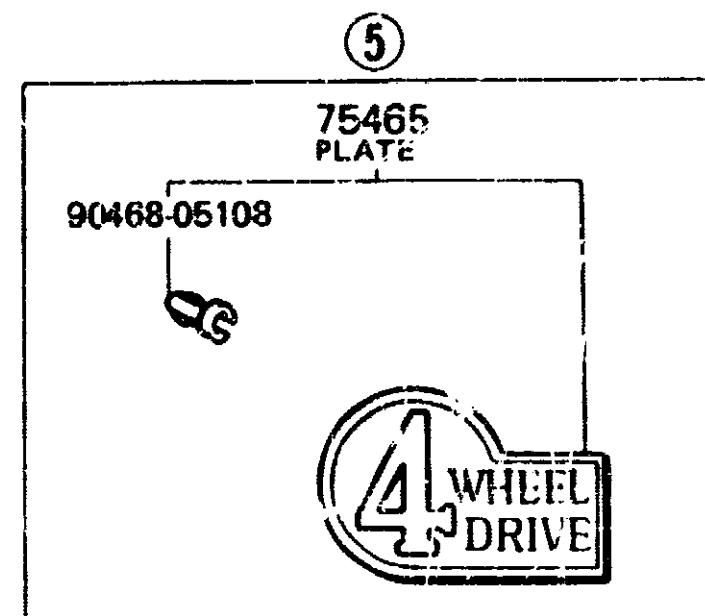
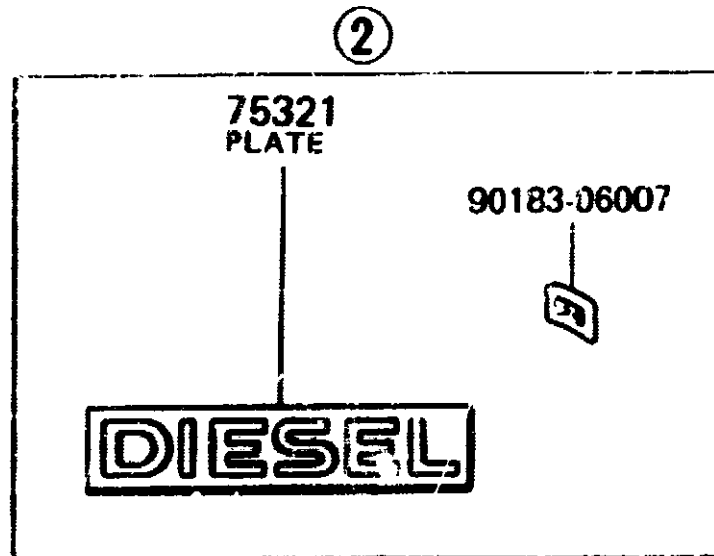
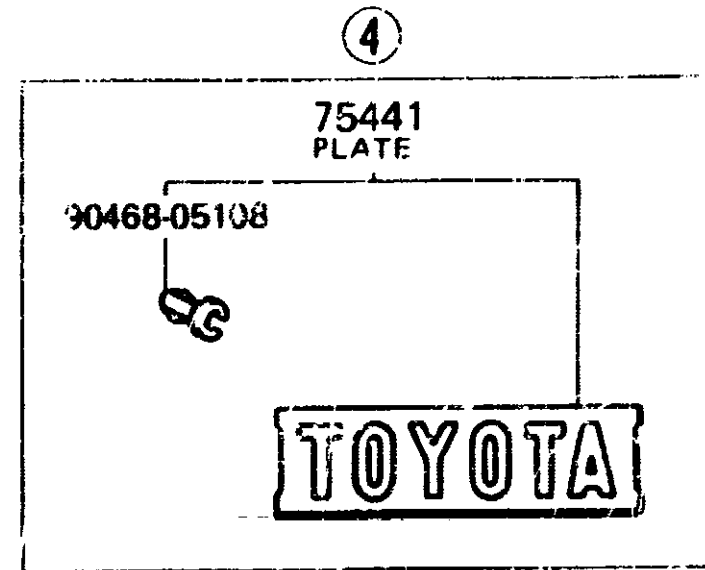
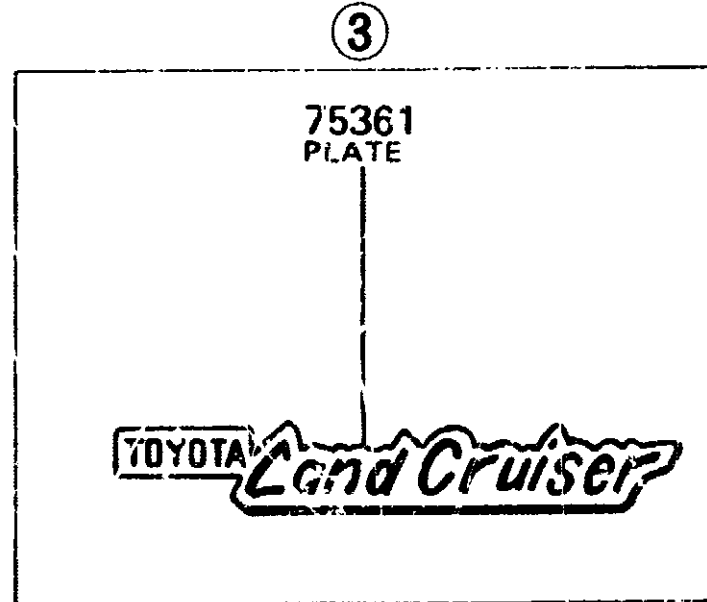
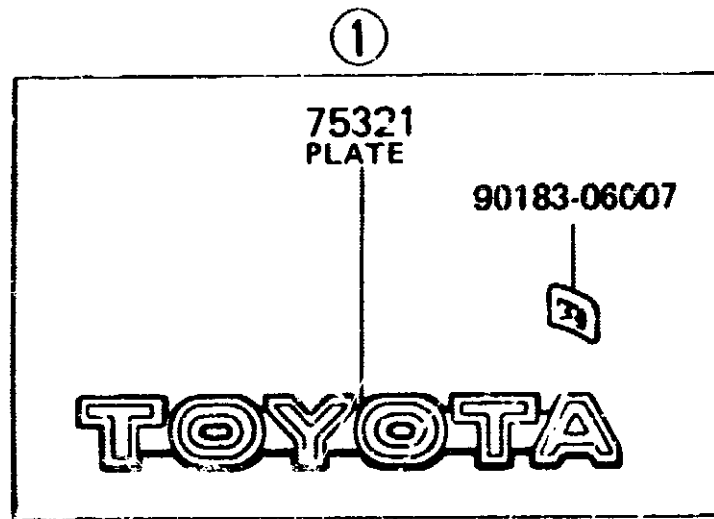
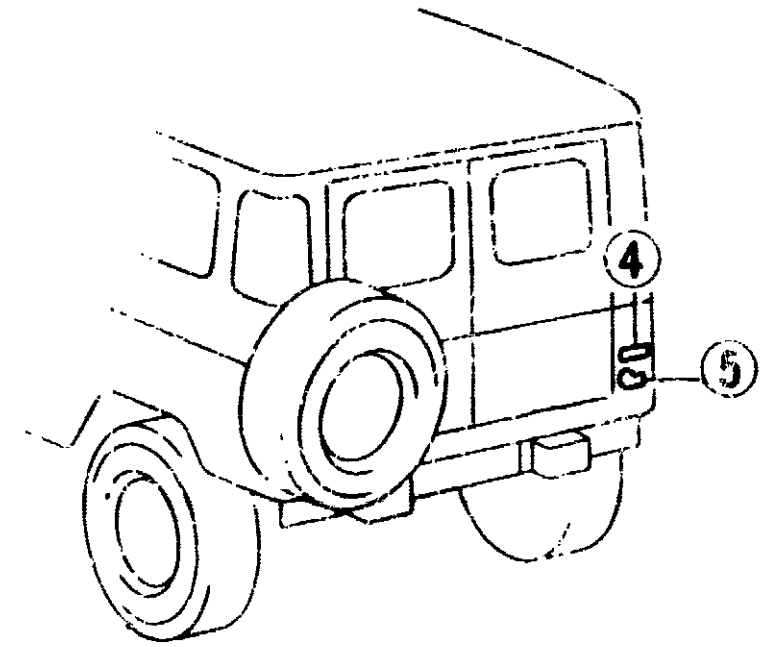
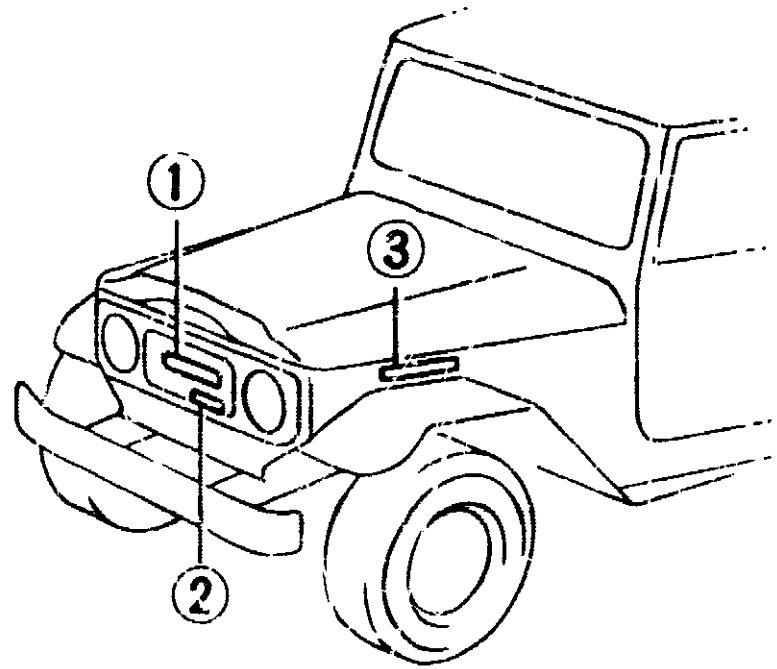
PROD. DATE	MODELS	DESCRIPTION	R/P	PART NUMBER	QTY	REV. REF. CODE	
						FROM	UP TO
FIG.	58-52	REAR FLOOR PANEL & REAR FLOOR MEMBER					
	58311	PAN, REAR FLOOR					
8008-8110	BJ42			58301-90816-	1	1	6
8110-8210	BJ42			58301-90910-	1	7	18
8210-8410	BJ42, FJ40			58301-90830-	1	19	80
8008-8110	FJ40			58301-90810-	1	1	6
8110-8210	FJ40			58301-0826-	1	7	18
		PANEL, REAR FLOOR, REAR					
8008-8410	BJ42, FJ40, TPS			58309-90307-	1		80
8008-8110	FJ40, TPS			58309-90308-	1		6
		COVER SUB-ASSEMBLY, FUEL TANK					
8008-8410	BJ42, FJ40			58372-90300-	1		30
		PACKING, FUEL TANK COVER					
				58373-90300-	1		30

PROD. DATE	MODELS	DESCRIPTION	R/P	PART NUMBER	QTY	REV. REF. CODE	
						FROM	UP TO
FIG.	65-55 REAR BODY TOP CURTAIN & ROOF PANEL						
	65081	BOW SUB-ASSY, FRONT SIDE TOP, RH		65801-90802-	1	7	80
8110-8410	BJ42,FJ40						
8008-8110	BJ42,FJ40..V			65801-90300-	1		
8008-8110	FJ40..TP			65801-90302-	1		
	65081A	PACKING, FRONT SIDE TOP, RH					
8008-8410	BJ42,FJ40..V			65865-90300-	1		80
	65082	BOW SUB-ASSY, FRONT SIDE TOP, LH					
8008-8410	BJ42,FJ40..V			65802-90300-			80
8008-8110	FJ40..TP			65802-90302-	1	1	6
	65082A	PACKING, FRONT SIDE TOP, LH					
8008-8410	BJ42,FJ40..V			65865-90300-	1		80
	65815	BRAKET, FRONT SIDE TOP BOW, RH					
8008-8410	BJ42,FJ40			65815-90300-	1		
	65815A	SPACER, FRONT SIDE TOP BOW, RH					
8008-8410	BJ42,FJ40			65815-90300-	2	1	80
	65816	BRAKET, FRONT SIDE TOP BOW, LH					
8110-8410	BJ42,FJ40			65816-90300-	1	1	80
	65818	BOW, FRONT SIDE TOP OUTER, RH					
8008-8110	BJ42,FJ40			65818-90301-	1		6
8110-8410	BJ42,FJ40			65811-90801-	1	7	80
	65818A	PACKING, FRONT SIDE TOP OUTER, RH					
8008-8410	BJ42,FJ40			65818-90302-	1	1	80
8008-8410	BJ42,FJ40			65818-90301-	1	1	80
	65818B	SEAL, FRONT SIDE COVER TARPAULIN					
8106-8410	BJ42,FJ40			65818-90800-	2		80

PROD. DATE	MODELS	DESCRIPTION	R/P	PART NUMBER	QTY	REV. REF. CODE	
						FROM	UP TO
	65819	BOW, FRONT SIDE TOP OUTER, LH					
8008-8105	BJ42,FJ40			65819-90301- (65812-90801-)	1		1
8105-8410	BJ42,FJ40			65812-90801-	1		80
	65081A	PACKING, FRONT SIDE TOP BOW, LH					
8008-8410	FJ40..TP			65819-90300-	1	1	80
8008-8410	BJ42,FJ40			65899-90300-	1	1	80
	6539A	SPACER, FRONT SIDE VINYL TOP BOW					
8008-8110	FJ40..TP			65839-90300-	2	1	6
	65855	STOPPER, VINYL TOP PIPE					
8008-8110	FJ40..TP			65852-60011-	2		6
	65854	SUPPORT, REAR VINYL TOP					
8008-8110	FJ40..TP			65854-60012-	2	1	6
	65901	VINYL SUB-ASSY, TOP					
8008-8110	FJ40..TP			65910-90806-	1	1	6
	65928	FASTENER, VINYL TOP					
8008-8110	FJ40..TP			65928-60010-	10		6
	65991	PIPE, VINYL TOP GUARD, NO.1					
8008-8110	FJ40..TP			65803-90307-	1	1	6
	65992	PIPE, VINYL TOP GUARD, NO.2					
8008-8110	FJ40..TP			65831-90301-	1	1	6
	65993	PIPE, VINYL TOP GUARD, NO.3					
8008-8110	FJ40..TP			65805-60020-	1	1	6
	65995	PIPE, VINYL TOP SIDE					
8008-8110	FJ40..TP			65607-90300-	2	1	6

PROD. DATE	MODELS	DESCRIPTION	R/P	PART NUMBER	QTY	REV. REF. CODE		PROD. DATE	MODELS	DESCRIPTION	R/P	PART NUMBER	QTY	REV. REF. CODE	
						FROM	UP TO							FROM	UP TO
8008-8410	BJ42, FJ40..V	6938c SNAP, ROD (FOR DOOR LOCK)		69768-90300-	4	1	80								
8008-8410	BJ42, FJ40..V	69406 STOP SUB-ASSY, BACK DOOR DOWN		69405-90300-	1	1	80								
8008-8410	BJ42, FJ40..V	69451A PLATE, DOOR LOCK STRIKER		67451-90301-	1	1	80								
8008-8410	BJ42, FJ40..V	69469A SHIM, BACK DOOR LOCK STRIKER		69469-60010-	2	1	80								
8008-8410	BJ42, FJ40..V	69790 CONTROL ASSY, BACK DOOR LOCK		69709-60011-	1	1	80								
8008-8410	BJ42, FJ40..V	75416 HANDLE, TAIL GATE, INSIDE		69271-10020-	1	1	80								
8008-8410	BJ42, FJ40..V	75416D ESCUTCHEON, BACK DOOR INSIDE HANDLE		69265-60010-	1	1	80								

(8008- )

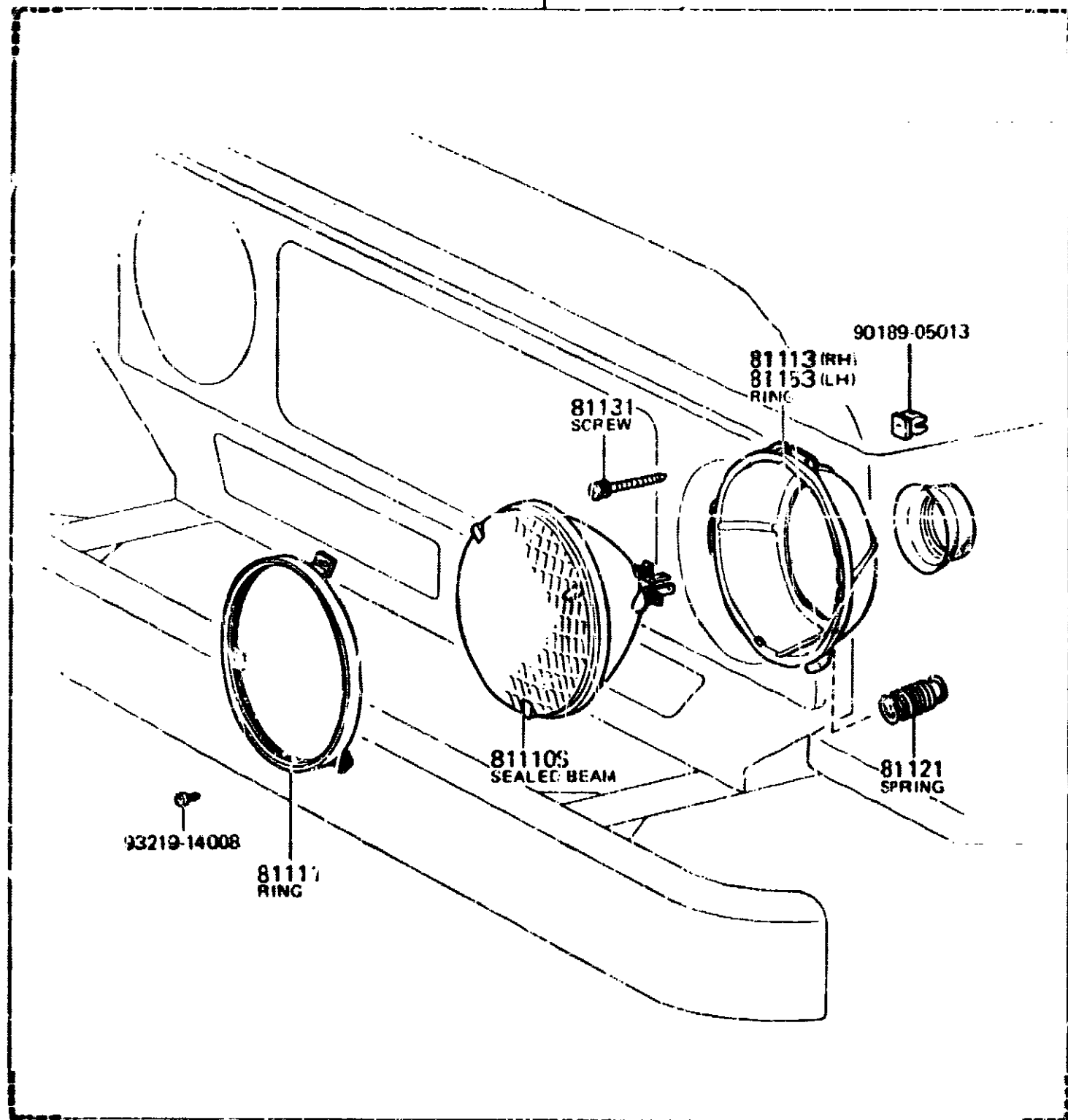


MB B606-A



(8008- )

81110 (RH)  
81150 (LH)  
HEAD LAMP



ME 9122

PROD. DATE	MODELS	DESCRIPTION	R/P	PART NUMBER	QTY	REV. REF. CODE	
						FIG.	UP TO
FIG.	81-01 HEADLAMP						
	+	+					
	81110	HEADLAMP ASSY. RH					
	+	+					
8008-8108	BJ42			81110-60270-	1	1	16
8108-8410	BJ42			81110-60271-	1	17	80
8008-8108	FJ40			81110-60200-	1	1	16
8108-8309	FJ40			81110-60201-	1	17	
	+	+					
	81110S	SEALED BEAM UNIT, NO.1					
	+	+					
8008-8108	BJ42, FJ40			90981-01016-	2	1	16
8108-8410	BJ42, FJ40			90981-01046-	2	17	80
	+	+					
	81111	RING, SEALED BEAM RETAINING					
	+	+					
8008-8410	BJ42, FJ40			81111-89117-	2	1	80
	+	+					
	81113	RING, SEALED BEAM MOUNTING, NO.1 RH					
	+	+					
8008-8410	BJ42, FJ40			81153-95188-	1	1	80
	+	+					
	81121	SPRING, HEADLAMP TENSION					
	+	+					
8008-8410	BJ42, FJ40			81121-62010-	2	1	80
	+	+					
	81131	SCREW, HEADLAMP ADJUSTING					
	+	+					
8008-8410	BJ42, FJ40			81131-10031-	2	1	80
	+	+					
	81150	HEADLAMP ASSY. LH					
	+	+					
8008-8108	BJ42			81150-60090-	1	1	16
8108-8410	BJ42			81150-60091-	1	17	80
8008-8108	FJ40			81150-60020-	1	1	16
8108-8309	FJ40			81150-60021-	1	17	
	+	+					
	81153	RING, SEALED BEAM MOUNTING, NO.1 LH					
	+	+					
8008-8410	BJ42, FJ40			81153-89117-	1	1	80

PROD. DATE	MODELS	DESCRIPTION	PART NUMBER	QTY	REV. REF. CODE	
					FROM	UP TO
8212-8309	FJ40	WIRE, OIL PRESSURE SWITCH	82221-90802-	1		
8008-8110	FJ40..USA	WIRE, HEAT GAGE	82222-90303-	1	1	6
8110-8309	FJ40..USA		82222-90800-	1	7	
8008-8110	FJ40..USA	WIRE, RELAY	82241-90302-	1	1	6
8110-8309	FJ40..USA		82241-90800-	1	7	
8008-8110	FJ40..CND	WIRE, ALTERNATOR	32422-90800-	1	6	
8008-8210	BJ42	WIRING ASSY, TO BACK UP LAMP SWITCH	82310-90804-	1	1	18
8210-8301	BJ42		82310-90810-	1	19	40
8301-8410	BJ42		82310-90820-	1	41	80
8008-8210	FJ40		82310-90802-	1	1	18
8210-8301	FJ40		82310-90807-	1	12	40
8301-8309	FJ40		82310-90815-	1	41	
8210-8309	BJ42	DIODE	82345-12010-	2	19	
8309-8410	BJ42	CONNECTOR-2 POLE		1		80
8008-8210	BJ42, FJ40	COWL WIRE HARNESS		1	1	18
8309-8309	BJ42, FJ40	CONNECTOR-4 POLE	82345-22010-	1		
8210-8309	FJ40		82345-12010-	1	19	
8110-8111	BJ42, FJ40	WIRE, COURTESY LAMP SWITCH (FOR FRONT DOOR)	82351-90800-	1	7	
8008-8110	BJ42, FJ40	WIRE ASSY, WIPER SWITCH TO WIPER	82370-90314-	1	1	6

PROD. DATE	MODELS	DESCRIPTION	PART NUMBER	QTY	REV. REF. CODE	
					FROM	UP TO
8110-8410	BJ42, FJ40	WIRE ASSY, WIPER SWITCH TO WIPER	82370-90801-	1	7	80
8008-8110	BJ42	WIRE, WASHER	32374-60020-	1	1	6
8008-8103	FJ40..CND	WIRING ASSY, TRAILER SOCKET	82380-90300-	1		
8008-8103	FJ40..USA		82380-90301-	1		
8008-8410	BJ42	WIRE, FUEL GAGE	82412-90801-	1		80
8008-8309	FJ40		82412-90800-	1		
8008-8011	BJ42	WIRE, LEVEL WARNING	82415-90300-	1	1	
8008-8410	BJ42	WIRING ASSY, CHASSIS	82420-90810-	1	1	80
8008-8110	FJ40..CND		82420-90806-	1	1	6
8008-8309	FJ40..USA		82420-90805-	1	1	
8008-8410	BJ42, FJ40..V	WIRE ASSY, LICENSE LAMP FEED	82470-90802-	1	1	80
8008-8110	FJ40..TP	NO.2	82470-90310-	1	1	6
8008-8110	FJ40..TP	NO.1	82470-90801-	1	1	6
8008-8110	BJ42, FJ40	WIRING ASSY, ROOF	82521-90300-	1	1	6
8008-8110	BJ42, FJ40	NO.2	82521-90303-	1	1	6
8110-8410	BJ42, FJ40		82520-90802-	1	7	80
8110-8410	BJ42	BLOCK ASSY, JUNCTION	82671-30030-	1	7	80
8210-8410	BJ42	COVER, JUNCTION BLOCK	82672-90800-	1	19	80



PROD. DATE	MODELS	DESCRIPTION	PART NUMBER	QTY	REV. REF. CODE	
					FROM	UP TO
FIG.	87-12 HEATING & AIR CONDITIONING	HEATER UNIT & BLOWER				
	+	+	+			
	87104	MOTOR SUB-ASSY, HEATER BLOWER				
	+	+	+			
8008-8410	BJ42		87104-60181-	1	1	80
8008-8309	FJ40..USA		87104-60094-	1	1	
8008-8309	FJ40..V	W/SIDE DEF	87104-60171-	1	1	
	+	+	+			
	87104R	MOTOR SUB-ASSY, REAR HEATER BLOWER				
	+	+	+			
8008-8410	BJ42		87104-90A04-	1	1	80
8008-8309	FJ40		87104-87003-	1	1	
	+	+	+			
	87105	FAN SUB-ASSY, HEATER BLOWER				
	+	+	+			
8008-8410	BJ42, FJ40		87105-22320-	1	1	80
	+	+	+			
	87105R	FAN SUB-ASSY, REAR HEATER BLOWER				
	+	+	+			
8008-8410	BJ42, FJ40		87105-87002-	1	1	80
	+	+	+			
	87107	UNIT SUB-ASSY, RADIATOR HEATER				
	+	+	+			
8008-8410	BJ42, FJ40		87107-60093-	1	1	80
	+	+	+			
	87107R	UNIT SUB-ASSY, REAR HEATER				
	+	+	+			
8008-8410	BJ42, FJ40		87107-60100-	1	1	80
	+	+	+			
	87120	HEATER ASSY, REAR				
	+	+	+			
8008-8410	BJ42		87110-60080-	1	1	80
8008-8309	FJ40		87110-60070-	1	1	
	+	+	+			
	87123	KNOB, HEATER				
	+	+	+			
8008-8110	BJ42, FJ40	FR HEATER	87123-10050-	1	1	6
8008-8410	BJ42, FJ40	RR HEATER	55905-12070-	1	1	80
	+	+	+			
	87130	BLOWER ASSY, HEATER, FRONT				
	+	+	+			
8008-8410	BJ42		87130-60141-	1	1	80
8008-8309	FJ40..USA		87130-60150-	1	1	
8008-8309	FJ40..V	W/SIDE DEF	87130-60170-	1	1	
	+	+	+			
	87150B	HOSE, HEATER BLOWER DRAIN				
	+	+	+			
8008-8309	FJ40		87294-60040-	1	1	

PROD. DATE	MODELS	DESCRIPTION	PART NUMBER	QTY	REV. REF. CODE	
					FROM	UP TO
	+	+	+			
	87138	RESISTOR, HEATER BLOWER				
	+	+	+			
8008-8309	FJ40..USA		87138-60170-	1	1	
8008-8309	FJ40..V	W/SIDE DEF	87138-60190-	1	1	
	+	+	+			
	87150	RADIATOR ASSY, HEATER				
	+	+	+			
8008-8110	BJ42, FJ40		87150-60037-	1	1	6
			(87150-60038-			
	+	+	+			
8110-8410	BJ42, FJ40		87150-60038-	1	7	80
	+	+	+			
	87188	PACKING, HEATER BLOWER MOTOR				
	+	+	+			
8008-8309	FJ40		87145-60031-	1	1	
	+	+	+			
	87240H	VALVE ASSY, WATER UNIT				
	+	+	+			
8008-8410	BJ42, FJ40	RR HEATER	87240-60040-	1	1	80
	+	+	+			
	87245F	HOSE, HEATER WATER INLET, F (FOR HEATER UNIT)				
	+	+	+			
8008-8309	BJ42, FJ40	XH, L=75	99552-50100-	1	1	
8309-8410	BJ42, FJ40	L=75	99556-50075-	1		80
	+	+	+			
	87246F	HOSE, HEATER WATER OUTLET, F (FOR HEATER UNIT)				
	+	+	+			
8008-8309	BJ42, FJ40	XH, L=75	99552-50100-	1	1	
8309-8410	BJ42, FJ40	L=60	99556-50075-	1		80
	+	+	+			
	87255F	HOSE, REAR HEATER WATER INLET, F (FOR HEATER UNIT)				
	+	+	+			
8008-8309	BJ42, FJ40	XH, L=60	99552-20100-	1	1	
8309-8410	BJ42, FJ40	L=60	99556-20060-	1		80
	+	+	+			
	87256F	HOSE, REAR HEATER WATER OUTLET, F (FOR HEATER UNIT)				
	+	+	+			
8008-8309	BJ42, FJ40	XH, L=60	99552-20100-	1	1	
8309-8410	BJ42, FJ40	L=60	99556-20060-	1		80

\*H.L. Cut hose to length as specified in remarks



PROD. DATE	MODELS	DESCRIPTION	R/P	PART NUMBER	QTY	REV. REF. CODE		PROD. DATE	MODELS	DESCRIPTION	R/P	PART NUMBER	QTY	REV. REF. CODE	
						FROM	UP TO							FROM	UP TO
8008-8309	88595 FJ40..V..USA	PULLEY, COOLER COMPRESSOR IDLE		88440-20060-	1	1									

## JAR - LENS

K12

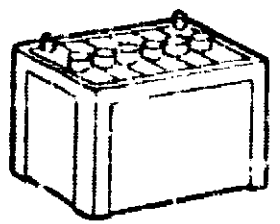
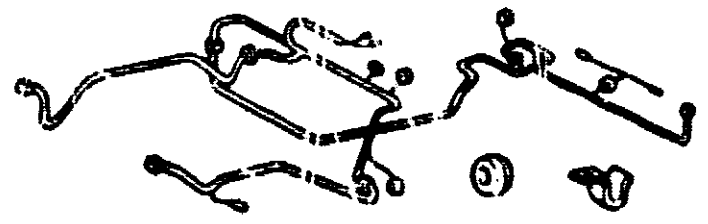
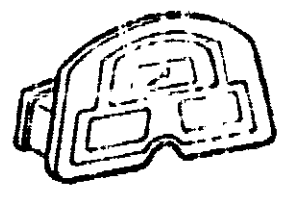
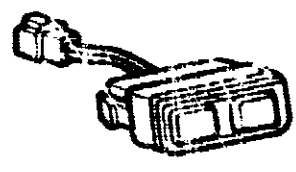
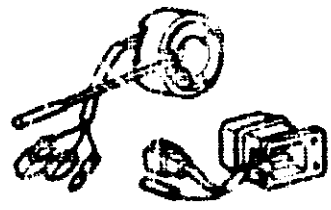
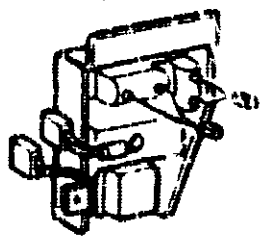
## LENS - MEMBER

PART	NAME	LOCATION
JAR ASSY, WINDSHIELD WASHER		3-A9
JET SUB-ASSY, SLOW		1-B7
JET SUB-ASSY, 2ND		1-B7
JET, POWER		1-B7
JET, 1ST MAIN		1-B7
JET, 2ND MAIN		1-B7
JOINT OR UNION, FRONT HEATER HOSE THROUGH OR INLET VALVE		3-C10
JOINT OR UNION, WATER HOSE THROUGH		3-C10
JOINT, WINDSHIELD WASHER HOSE		3-A9
KEY (FOR CRANKSHAFT TIMING GEAR)		1-12
KEY (FOR NO.3 LEVER)		1-L7
KEY (FOR SPLING SHAFT)		1-17
KEY OR BALL, 1ST GEAR BEARING INNER RACE LOCK		2-C2
KEY, BLANK		3-M4
KEY, BOOSTER VALVE PLUNGER		2-C7
KEY, COMPRESSOR CRANKSHAFT		3-110
KEY, CRANKSHAFT (FOR CRANKSHAFT PULLEY SET)		1-H2
KEY, OIL PUMP DRIVE SHAFT		1-B3
KEY, SYNCHROMESH SHIFTING (FOR NO.2 CLUTCH HUB)		2-C2
KEY, SYNCHROMESH SHIFTING (FOR NO.3 CLUTCH HUB)		2-C2
KEY, VANE PUMP PULLEY		2-A6
KEY, WOODRUFF (FOR REVERSE IDLER GEAR SHAFT)		2-D2
KEY, WOODRUFF (FOR TIMING GEAR)		1-K2
KNOB SUB-ASSY, SHIFT LEVER		2-D3
KNOB SUB-ASSY, SHIFT LEVER (FOR FLOOR SHIFT)		2-J2
KNOB, CHOKE CONTROL CABLE		3-16
KNOB, DOOR LOCK KEY (FOR BACK DOOR, CENTER LOCK)		3-J4
KNOB, HAZARD WARNING SIGNAL SWITCH		3-G8
KNOB, HEATER		3-K9
KNOB, LIGHT CONTROL SWITCH		3-F8
KNOB, PARKING BRAKE RELEASE ROD		2-J6
KNOB, WINCH CLUTCH LEVER		2-M3
KNOB, WINDSHIELD WIPER SWITCH		3-G8
KNUCKLE, STEERING, LH		2-A8
KNUCKLE, STEERING, RH		2-A8
LABEL, HEATER WARM CONTROL INDICATOR		3-A3
LABEL, WASHER		3-A9
LAMP ASSY, FRONT TURN SIGNAL, LH		3-L6
LAMP ASSY, FRONT TURN SIGNAL, RH		3-L6
LAMP ASSY, HEATER CONTROL INDICATOR, NO.1		3-B8
LAMP ASSY, INDICATOR		3-B8
LAMP ASSY, INSPECTION		3-E7
LAMP ASSY, LICENSE PLATE		3-B7
LAMP ASSY, REAR COMBINATION, LH		3-M6
LAMP ASSY, REAR COMBINATION, RH		3-M6
LAMP ASSY, REAR SIDE MARKER, LH		3-C7
LAMP ASSY, REAR SIDE MARKER, RH		3-C7
LAMP ASSY, ROOM, NO.1		3-E7
LATCH ASSY, REAR DROP GATE		3-J4
LEAD, DISTRIBUTOR BREAKER		1-L5
LEAF, FRONT SPRING, NO.1		2-D8
LEAF, FRONT SPRING, NO.2		2-D8
LEAF, FRONT SPRING, NO.3		2-D8
LEAF, FRONT SPRING, NO.4		2-D8
LEAF, FRONT SPRING, NO.5		2-D8
LEAF, FRONT SPRING, NO.6		2-D8
LEAF, FRONT SPRING, NO.7		2-D8
LEAF, REAR SPRING, NO.1		2-G8
LEAF, REAR SPRING, NO.2		2-G8
LEAF, REAR SPRING, NO.3		2-G8
LEAF, REAR SPRING, NO.4		2-G8
LEAF, REAR SPRING, NO.5		2-G8
LEAF, REAR SPRING, NO.6		2-G8
LENS, CIGARETTE LIGHTER INDICATOR		3-G8

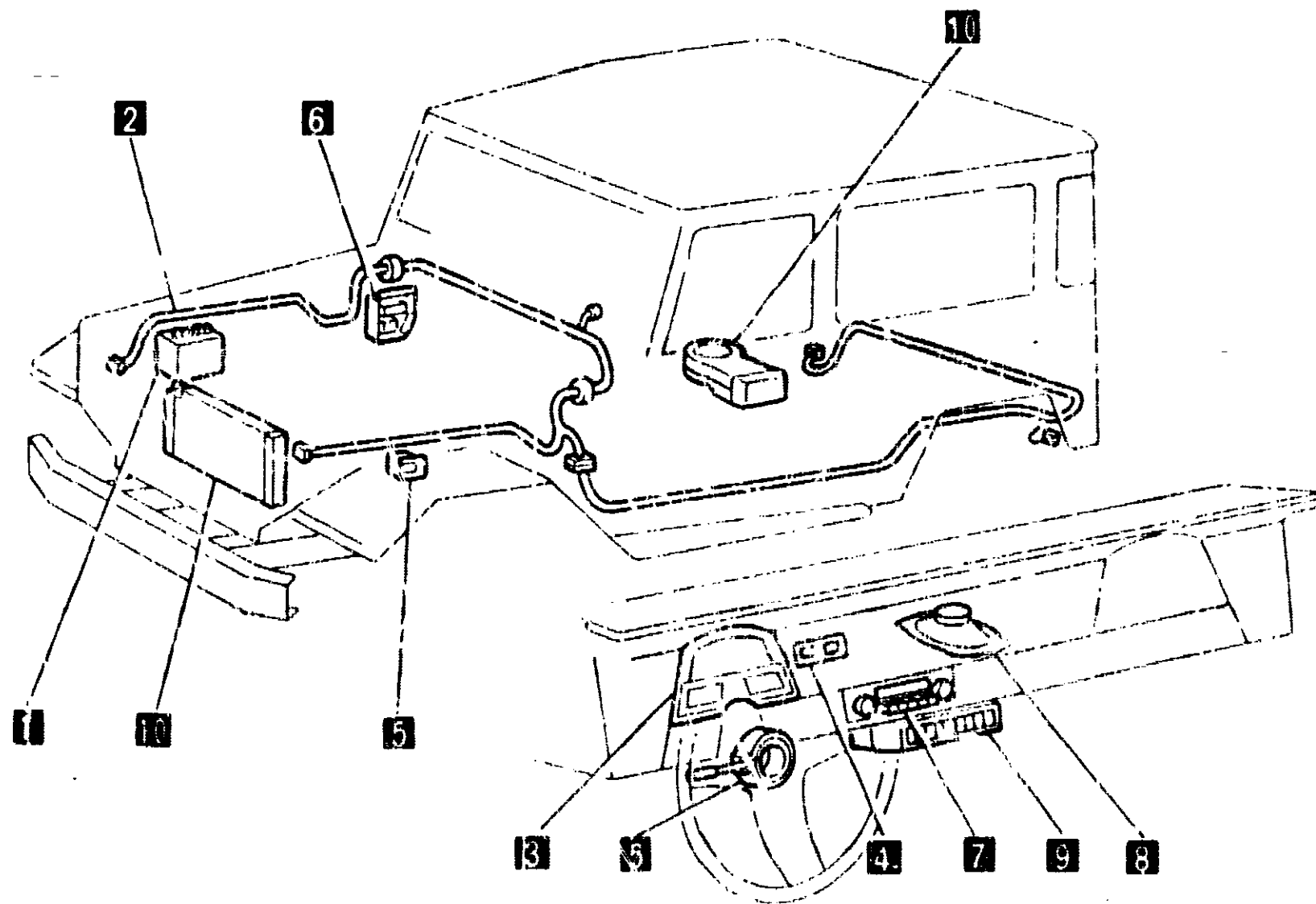
PART	NAME	LOCATION
LENS, FRONT TURN SIGNAL LAMP, LH		3-L6
LENS, FRONT TURN SIGNAL LAMP, RH		3-L6
LENS, LICENSE PLATE LAMP		3-B7
LENS, REAR COMBINATION LAMP, LH		3-M6
LENS, REAR COMBINATION LAMP, RH		3-M6
LENS, REAR SIDE MARKER LAMP, LH		3-C7
LENS, REAR SIDE MARKER LAMP, RH		3-C7
LENS, ROOM LAMP, NO.1		3-E7
LEVER ASSY, HOOD LOCK RELEASE		3-M1
LEVER ASSY, SHIFT (FOR FLOOR SHIFT)		2-J2
LEVER SUB-ASSY, FRONT DRIVE SHIFT LINK		2-D3
LEVER SUB-ASSY, HIGH & LOW SHIFT INNER		2-D3
LEVER SUB-ASSY, INJECTION PUMP, NO.1		1-L7
LEVER SUB-ASSY, INJECTION PUMP, NO.3		1-L7
LEVER SUB-ASSY, PARKING BRAKE		2-J6
LEVER SUB-ASSY, PARKING BRAKE SHOE, LH (FOR REAR BRAKE)		2-H7
LEVER SUB-ASSY, PARKING BRAKE SHOE, RH (FOR REAR BRAKE)		2-H7
LEVER SUB-ASSY, THROTTLE SHAFT ADJUSTING		1-J8
LEVER, AUTOMATIC ADJUST, LH (FOR REAR BRAKE)		2-17
LEVER, AUTOMATIC ADJUST, RH (FOR REAR BRAKE)		2-17
LEVER, CABLE GUIDE SUPPORT		2-K6
LEVER, CLUTCH HUB SHIFT		2-M3
LEVER, SHIFT & SELECT		2-G2
LEVER, SHIFT, INNER NO.1		2-G2
LEVER, STARTER PINION DRIVE		1-F6
LEVER, TRANSFER FRONT DRIVE SHIFT		2-E3
LEVER, TRANSFER HIGH AND LOW SHIFT OUTER		2-E3
LIFTER, VALVE		1-L2
LIGHTER ASSY, CIGARETTE		3-G8
LINER, CYLINDER		1-K1
LINING, REAR BRAKE SHOE (FOR FRONT OR UPPER)		2-H7
LINING, REAR BRAKE SHOE (FOR REAR OR LOWER)		2-17
LINK ASSY, WINDSHIELD WIPER		3-J8
LINK, STEERING DRAG		2-16
LOCK ASSY, FRONT DOOR, LH		3-C4
LOCK ASSY, FRONT DOOR, RH		3-C4
LOCK ASSY, HOOD		3-M1
LOCK ASSY, QUARTER OR SIDE WINDOW, RH		3-F3
LOCK ASSY, QUARTER WINDOW, LH		3-F3
LOCK ASSY, REAR DROP GATE		3-J4
LOCK ASSY, SPARE WHEEL CARRIER		3-F1
LOCK SUB-ASSY, BACK DOOR, CENTER		3-L4
LOCK SUB-ASSY, BACK DOOR, LOWER		3-J4
LOCK SUB-ASSY, BACK DOOR, UPPER		3-J4
LOCK, FRONT AXLE DIFFERENTIAL ADJUST NUT		2-A5
LOCK, REAR AXLE SHAFT		2-14
LOCK, REAR DIFFERENTIAL BEARING ADJUSTING NUT		2-E4
LOCK, VALVE SPRING RETAINER		1-K2
LOCK, WIRE		2-L3
LOUVER ASSY, ROOF SIDE VENT, LH		3-H3
LOUVER ASSY, ROOF SIDE VENT, RH		3-H3
LOUVER, VENTILATION		3-A10
MANIFOLD ASSY		1-E4
MANIFOLD, AIR INJECTION		1-C5
MANIFOLD, EXHAUST		1-E4
MANIFOLD, INTAKE		1-E4
MARK, STEERING WHEEL PAD		2-F6
MAT SUB-ASSY, FRONT FLOOR, REAR		3-M2
MAT, FLOOR, FRONT		3-M2
MAT, FLOOR, REAR		3-M2
MEMBER, ENGINE REAR MOUNTING		3-B1
MEMBER, REAR BASE		2-M3
MEMBER, REAR DIAGONAL, LH		3-A1
MEMBER, REAR DIAGONAL, RH		3-A1


PART NUMBER	LOCATION	PART NUMBER	LOCATION	PART NUMBER	LOCATION	PART NUMBER	LOCATION	PART NUMBER	LOCATION	PART NUMBER	LOCATION
90562-47002-	2-H5	90919-02083-	1-J5	90942-03082-	2-K4	90999-00006-01	3-M4	96132-30600-	2-F4	99134-12030-	3-A8
-67001-	2-B5	-02113-	1-J5	-03083-	2-K4	-00006-02	3-M4	-30800-	1-K6	-12034-	3-B8
90564-30035-	2-B5	-03059-	1-J5	-03084-	2-K4	-00006-03	3-M4	96151-01700-	2-A6	99142-87175-	3-G7
-68001-	2-E4	-12345-	1-J5	-03085-	2-K4	-00006-04	3-M4	-02000-	2-M6	99332-11250-	3-110
-68002-	2-B5	-12346-	1-J5	-03086-	2-K4	-00006-05	3-M4	96160-00500-	2-H7	99343-01195-	1-A4
-68003-	2-E4	-12347-	1-J5	-03107-	2-K4	-00006-06	3-M4	-01200-	2-L3	-11070-	1-A4
-68004-	2-B5	-12348-	1-J5	-05009-	2-L4	-00065-	3-M4	-01500-	2-L3	-11120-	1-A5
-68005-	2-E4	-12349-	1-J5	90945-02048-	1-F6	-41138-	1-B7	96395-71400-	1-K6	-11265-	1-A4
-70001-	2-B5	-12372-	1-J5	90947-02230-	2-D1	-41147-	1-B7	96411-11200-	1-G1	-11510-	2-D6
-70002-	2-E4	-13163-	1-J5	-02358-	2-D1	-42200-	1-B7	-11400-	1-J1	-11570-	2-D6
-70003-	2-B3	-21325-	1-J5	90948-03007-	2-E8	-43080-	1-B7	-12070-	1-E4	99552-20100-	3-D10
-70004-	2-B3	90923-02062-	1-J6	-03004-	2-E8	-70067-	2-A8	-12500-	1-G1	-30100-	3-K9
-70005-	2-C3	-02065-	1-J6	-03004-	2-E8	-73061-	2-K5	-12800-	1-G1	-30300-	3-C10
-70006-	2-C3	-02072-	1-J6	90950-01155-	3-D2	-73088-	1-G2	-13000-	1-J1	-30500-	3-C10
-70007-	2-C3	-02073-	1-J6	-01156-	3-D2	-73089-	2-B3	-42500-	1-G1	-30700-	3-C10
-70008-	2-C3	-05005-	1-D8	-01200-	1-A2	91121-11070-	2-D1	-45000-	1-G1	99553-30210-	1-G3
-70009-	2-C3	-05014-	1-G7	-01225-	3-D2	-51170-	2-L6	96411-03833-	1-J1	-30280-	1-G3
-70010-	2-C3	-06001-	1-D8	-01329-	3-D2	91611-40828-	2-G1	-03873-	1-A4	99555-30210-	1-G3
-70011-	2-C3	90925-01021-	1-F5	-01330-	3-D2	-41055-	2-G1	-23814-	1-A4	99556-20060-	3-D10
-70012-	2-C3	-01029-	1-F5	-04010-	3-B7	-60850-	1-L2	96710-01007-	2-A6	-30050-	3-C10
-70013-	2-C3	-03058-	1-F5	90980-04011-	3-C9	-60865-	1-L2	-01008-	1-L7	-30075-	3-K9
-70014-	2-C3	-05035-	1-F5	-04021-	3-C9	92122-61028-	1-E4	-01010-	2-H5	-30210-	3-C10
-70015-	2-C3	-05046-	1-F5	-07003-	3-J7	92132-60822-	1-E4	-01013-	2-B6	-30310-	3-C10
-70016-	2-C3	90930-03031-	2-A5	-07056-	3-J7	94110-41000-	2-D8	-01014-	2-B4	-30320-	3-C10
-70017-	2-C3	-03058-	2-L5	-07175-	3-J7	-51000-	2-H6	-02014-	2-K3	-30520-	3-C10
-70018-	2-C3	90937-01117-	2-I4	90981-01010-	1-E7	94115-71200-	2-G1	96711-19007-	2-A6	99911-10250-	1-B1
-70019-	2-C3	-01118-	2-I4	-01046-	3-K6	94271-00800-	1-K4	-19010-	2-F2	99913-12000-	1-A1
-70020-	2-C3	-01119-	2-I4	-11004-	3-E7	94512-01000-	2-H6	-19013-	2-B6	99914-11010-	1-B1
-70021-	2-C3	-01120-	2-I4	-11006-	3-C6	94621-11000-	2-H6	-19014-	2-B6	-11417-	1-B1
-70022-	2-C3	-01121-	2-I4	-11009-	3-F8	95101-10322-	2-D2	96710-01063-	1-J6	99915-10700-	1-A1
-70023-	2-C3	-01122-	2-I4	90982-01370-	3-G7	-10416-	1-H2	96910-32005-	2-L7		
-05152-	1-E2	-01132-	2-F3	-16015-	3-M6	-10519-	1-I2	96940-32605-	2-L7		
-05155-	1-G3	-01136-	2-F3	-16016-	3-C7	95331-10014-	3-C5	-33405-	2-L7		
-06036-	1-E2	-01140-	2-F3	-16017-	3-B7	95332-04020-	1-F7	-34305-	2-L7		
-09066-	1-A4	-01147-	2-F3	-16019-	3-E7	-06010-	3-E6	97153-06332-	2-C2		
-09070-	1-J1	-01148-	2-F3	-16022-	2-B4	-06020-	3-E6	97154-06308-	2-B2		
-09072-	1-J1	-01149-	2-F3	90982-01370-	3-G7	-08030-	3-F6	97600-30307-	2-C3		
90913-01003-	1-H2	-01150-	2-F3	-01378-	3-G7	-08040-	7-E6	97610-30303-	2-B8		
-02048-	1-K2	-01151-	2-F3	-01393-	3-G7	95411-10095-	3-E10	97619-30306-	2-B5		
-02051-	1-K2	-01152-	2-F3	-01415-	3-G7	-19960-	3-E10	-30308-	2-B5		
-03012-	1-K2	-01153-	2-F3	-01122-	3-C7	95441-09500-	2-F7	-30308-	2-D4		
-03019-	1-L2	-01154-	2-F3	-02065-	3-G7	96111-10270-	1-G3	99118-62905-	3-F8		
-05007-	1-L2	-01155-	2-F3	-02103-	3-G7	-10380-	1-B5	-62910-	3-F8		
-05021-	1-L2	-01156-	2-F3	-03012-	3-G7	-10510-	1-B4	-62915-	3-F8		
90915-01014-	1-J1	-01157-	2-F3	-05005-	3-G7	-10530-	1-B4	-62920-	3-F8		
-01015-	1-K1	-01158-	2-F3	-07008-	3-F8	-10560-	1-B4	99132-11075-	3-B7		
90916-01056-	1-B4	-01184-	2-F3	-08051-	3-J7	-10580-	1-B4	-11250-	3-E7		
-01163-	1-B4	-01191-	2-F3	-08147-	3-J7	-10650-	1-L4	-11270-	3-L6		
-02089-	2-J6	-01192-	2-F3	-08151-	3-J7	-10670-	1-L4	-12034-	3-A8		
-03045-	1-M3	-01193-	2-F3	-08186-	3-J7	-10690-	1-L4	-12080-	3-C7		
-03052-	1-M3	-01194-	2-F3	-08191-	3-J7	-10750-	1-L4	-21230-	3-116		
-03059-	1-M3	-01198-	2-F3	-08213-	3-J7	-10800-	1-L4	99134-11030-	3-B8		
90917-36003-	1-H4	-01199-	2-F3	90934-01005-	3-F8	96112-10250-	1-G3				
-06012-	1-H4	-01200-	2-F3	-01007-	3-G8	-10330-	1-M3				
-06024-	1-I4	90942-03007-	2-K4	90986-02001-	3-F10	-10380-	1-B5				
-10020-	3-G6	-01030-	2-K4	90987-02004-	3-H8						
-10038-	1-F5	-01047-	2-K4								
-10057-	1-B5	-02030-	2-J6								
-11023-	1-F5	-02044-	2-D5								
-11024-	1-F5	-03079-	2-K4								
90919-01065-	1-J5	-03080-	2-K4								
		-03081-	2-K4								

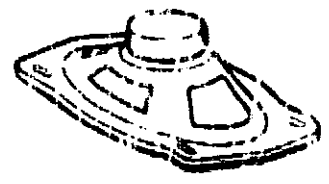
## ILLUSTRATED INDEX

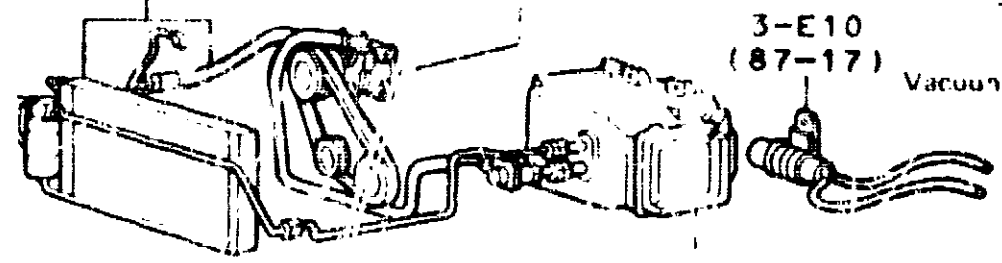
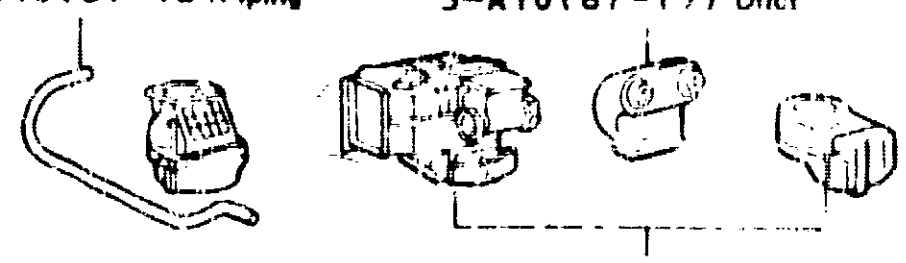
<p>3-F7 (82-01) <b>1</b></p>  <p>Battery &amp; Cable</p>	<p>3-H7 (92-02) <b>2</b></p>  <p>Wiring &amp; Clamp</p>	<p>3-P7 (83-01) <b>3</b></p>  <p>Meter</p>	<p>3-B8 (83-02) <b>4</b></p>  <p>Indicator</p>	<p>3-D8 (84-01) <b>5</b></p>  <p>Switch &amp; Relay</p>	<p>3-I8 (84-06) <b>6</b></p>  <p>ELIC</p>
---	---	---	---	--	--

## ELECTRICAL GROUP (2/2)



<p>3-B9 (86-01) <b>7</b></p>  <p>Radio &amp; Cassette Player</p>
---

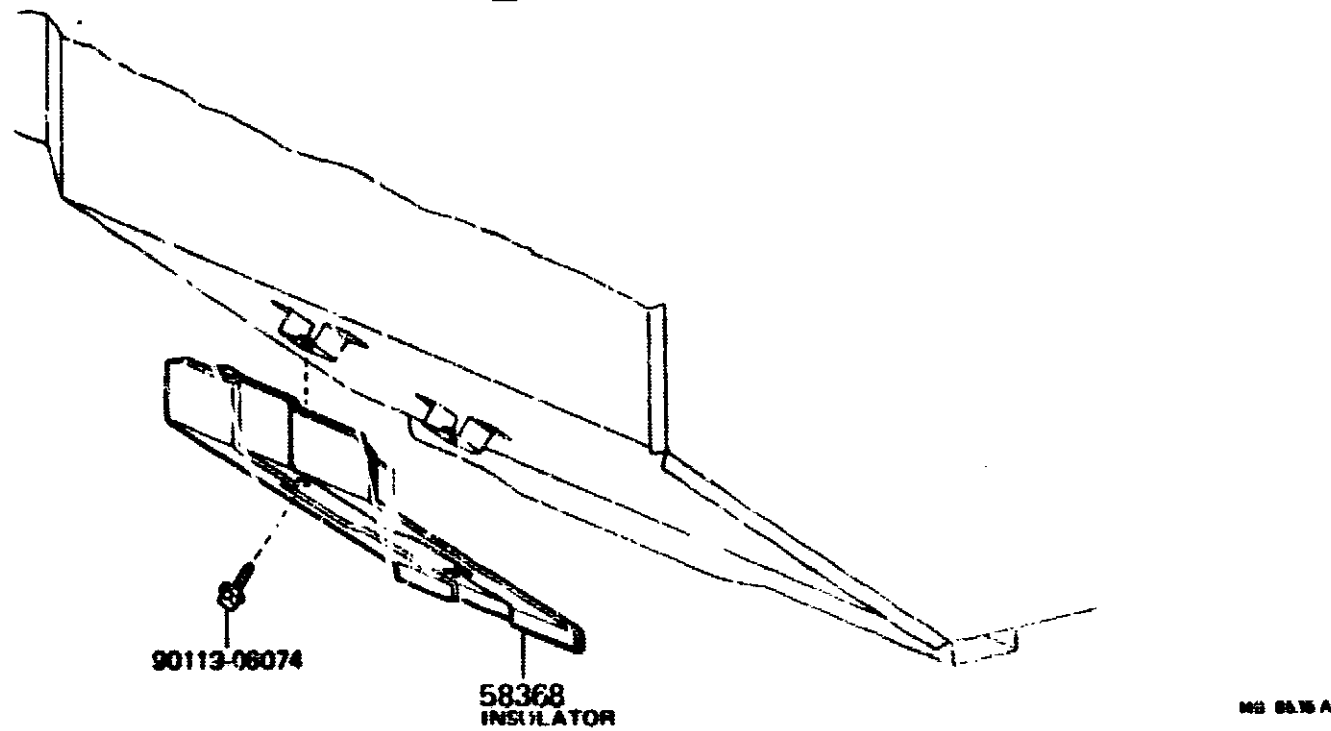
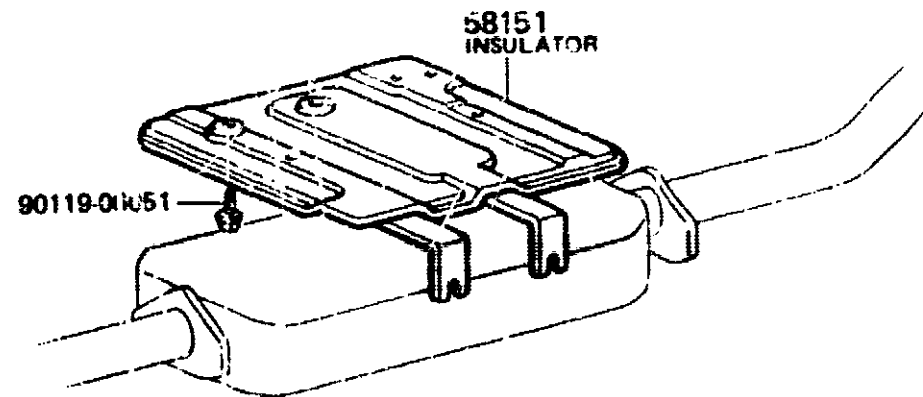
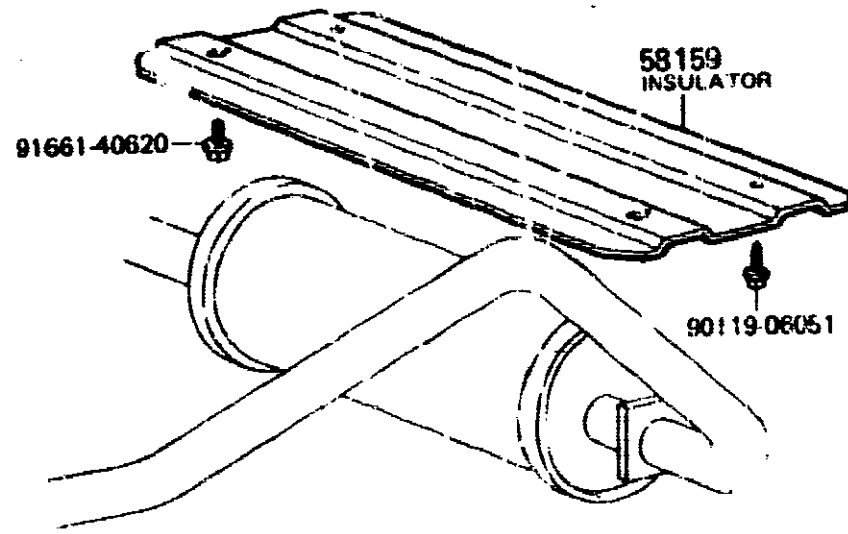
<p>3-D9 (86-02) <b>8</b></p>  <p>Speaker</p>
--

<p>3-F10 (87-18) Piping</p> <p>3-H10 (87-19) Compressor</p> <p>3-E10 (87-17) Vacuum</p> <p>3-L9 (87-14) Unit</p> <p>3-I9 (87-11) Set</p> 	<p>3-B10 (87-16) Piping</p> <p>3-A10 (87-15) Duct</p> <p>3-J9 (87-12) Unit</p> <p>3-I9 (87-11) Set</p> 
---	--

PROD. DATE	MODELS	DESCRIPTION	R/P	PART NUMBER	QTY	REV. REF. CODE	
						FROM	UP TO
8008-8210	53341 CONTINUED FJ40..USA	SILENCER, HOOD, NO.1		53316-90801-	1	1	18
8210-8410	53341B BJ42	INSULATOR, HOOD		90467-09008-	12	19	80
8008-8210	BJ42, FJ40				12	1	18
8008-8410	53359 BJ42, FJ40	SHIM, HOOD SIDE PANEL CUSHION		53359-90301-	2	1	80
8008-8110	53359A BJ42, FJ40	CLAMP OR CLIP, HOOD SIDE PANEL CUSHION SHIM		90467-04100-	6	1	6
8110-8410	BJ42, FJ40			90467-04006-	6	7	80
8110-8410	53394 BJ42, FJ40	PROTECTOR, HOOD, FRONT		53393-90800-	1	7	80
8110-8410	BJ42, FJ40	RH		53394-90800-	1	7	80
8008-8410	53504 BJ42, FJ40	FASTENER SUB-ASSY, HOOD		53504-90300-	2	1	80
8008-8012	53715B BJ42	PLATE, FENDER APRON SPLASH		53715-90300-	1	1	
8008-8012	53715C BJ42	CLIP (FOR FENDER APRON SPLASH PLATE)		90467-06004-	2	1	
8008-8410	53749 BJ42	COVER, FENDER APRON STEERING GEAR BOX		53751-90300-	1	1	80
8008-8410	53752 BJ42	COVER, SHOCK ABSORBER		53752-90300-	2	1	80
8008-8410	53752A BJ42	RETAINER, SHOCK ABSORBER COVER		53761-90300-	1	1	80
8008-8410	BJ42	RH		53762-90300-	1	1	80

PROD. DATE	MODELS	DESCRIPTION	R/P	PART NUMBER	QTY	REV. REF. CODE	
						FROM	UP TO
8008-8110	53801 BJ42	FENDER SUB-ASSY, FRONT, RH		53810-90348- (53810-90333-)	1	1	6
8110-8410	BJ42			53810-90804-	1	7	80
8008-8110	FJ40..CND			53810-90344-	1	1	6
8008-8309	FJ40..USA			53810-90341-	1	1	
8008-8310	53802 BJ42	FENDER SUB-ASSY, FRONT, LH		53820-90088- (53820-90288-)	1	1	
8008-8310	BJ42	W/ELECTRIC AL WINCH		53820-90288-	1	1	
8310-8405	BJ42				1		
8405-8410	BJ42			53820-90286-	1		80
8008-8110	FJ40..CND			53820-90083- (53820-90811-)	1	1	6
8008-8110	FJ40..CND	W/ELECTRIC AL WINCH		53820-90289- (53820-90813-)	1	1	6
8008-8309	FJ40..USA			53820-90080-	1	1	
8008-8309	FJ40..USA	W/ELECTRIC AL WINCH		53820-90282-	1	1	
8008-8410	53881 BJ42, FJ40	BUMPER, FENDER TO HOOD		53349-90300-	2	1	80

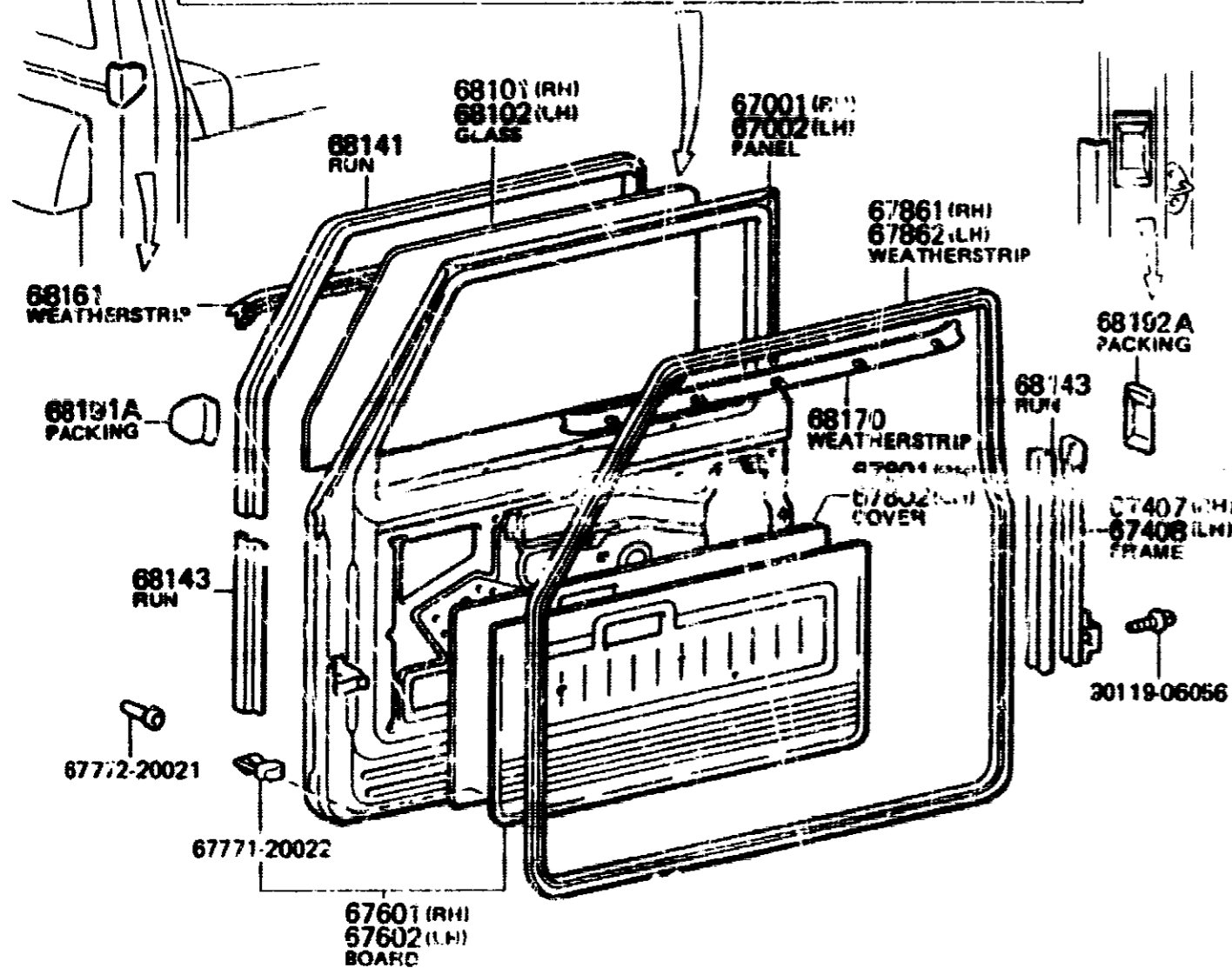
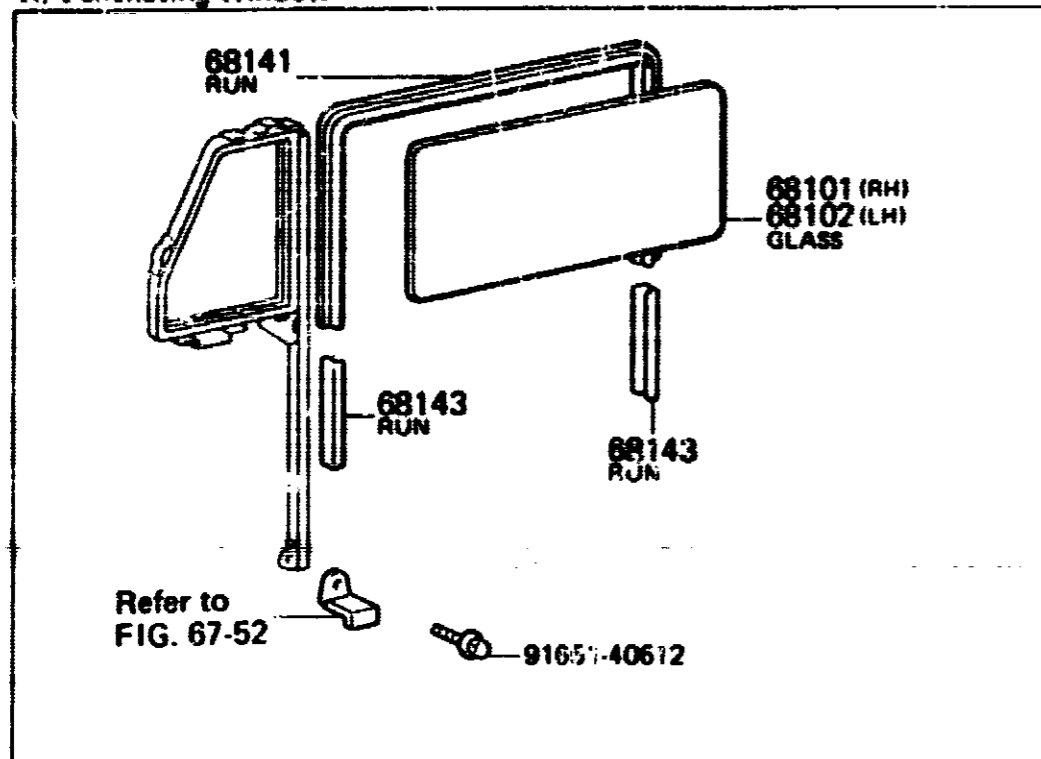
(8008- )



PROD. DATE	MODELS	DESCRIPTION	PART NUMBER	QTY	REV. REF. CODE	
					FROM	UP TO
FIG. 58-53 FLOOR INSULATOR						
8102-8110	FJ40..CND	ROUND FLOOR HEAT, NO.1	58017-90800-	1		6
8008-8309	FJ40..USA		58221-90300-	1	1	
8003-8110	FJ40	MAIN MAFFLAR HEAT	58371-90303-	1	1	6
8110-8309	FJ40		58321-90800-	1	7	
8008-8410	BJ42	HEAT	55203-90801-	1	1	80
8102-8309	FJ40		55203-90800-	1		
8008-8102	FJ40..USA			1	1	

(8008- )

W/Ventilating Window



MB 2563 B

PROD. DATE	MODELS	DESCRIPTION	PART NUMBER	QTY	REV. REF. CODE	
					FROM	UP TO
FIG.	67-51	FRONT DOOR PANEL & GLASS				
		↑	↑			
	67001	PANEL SUB-ASSY, FRONT DOOR, RH				
8008-8110	BJ42,FJ40		* 57001-90800- (67001-90802- )	1	1	6
8110-8410	BJ42,FJ40		67001-90802-	1	7	80
	↑	↑				
	67002	PANEL SUB-ASSY, FRONT DOOR, LH				
8008-8110	BJ42,FJ40		* 67002-90800- (67002-90802- )	1	1	6
8110-8410	BJ42,FJ40		67002-90802-	1	7	80
	↑	↑				
	67407	FRAME SUB-ASSY, FRONT DOOR REAR LOWER, RH				
8008-8410	BJ42,FJ40		67047-90300-	1	1	80
	↑	↑				
	67408	FRAME SUB-ASSY, FRONT DOOR REAR LOWER, LH				
8008-8410	BJ42,FJ40		67047-90300-	1	1	80
	↑	↑				
	67601	BOARD SUB-ASSY, FRONT DOOR TRIM, RH				
8008-8410	BJ42,FJ40		67610-90304-	1	1	80
	↑	↑				
	67602	BOARD SUB-ASSY, FRONT DOOR TRIM, LH				
8008-8410	BJ42,FJ40		67620-90304-	1	1	80
	↑	↑				
	67801	COVER SUB-ASSY, DOOR HOLE, NO.1 RH				
8008-8410	BJ42,FJ40		67801-90300-	1	1	80
	↑	↑				
	67802	COVER SUB-ASSY, DOOR HOLE, NO.1 LH				
8008-8410	BJ42,FJ40		67802-90300-	1	1	80
	↑	↑				
	67861	WEATHERSTRIP, FRONT DOOR, RH				
8008-8410	BJ42,FJ40		67861-90300-	1	1	80
	↑	↑				
	67862	WEATHERSTRIP, FRONT DOOR, LH				
8008-8410	BJ42,FJ40		67862-90300-	1	1	80
	↑	↑				
	68101	GLASS SUB-ASSY, FRONT DOOR, RH				
8008-8410	BJ42,FJ40		* 68111-90800- XTEM,T=4.0 W/D XW	1	1	80

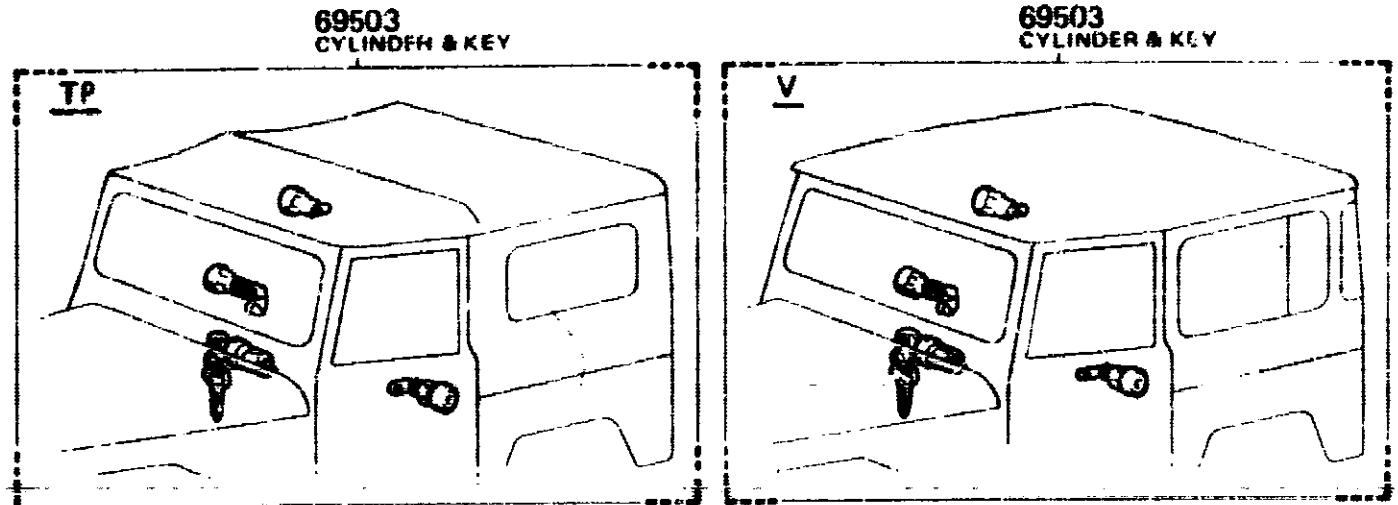
\* TEM= Tempered  
\* VW= Ventilator Window

(8008- )

(8008- )V

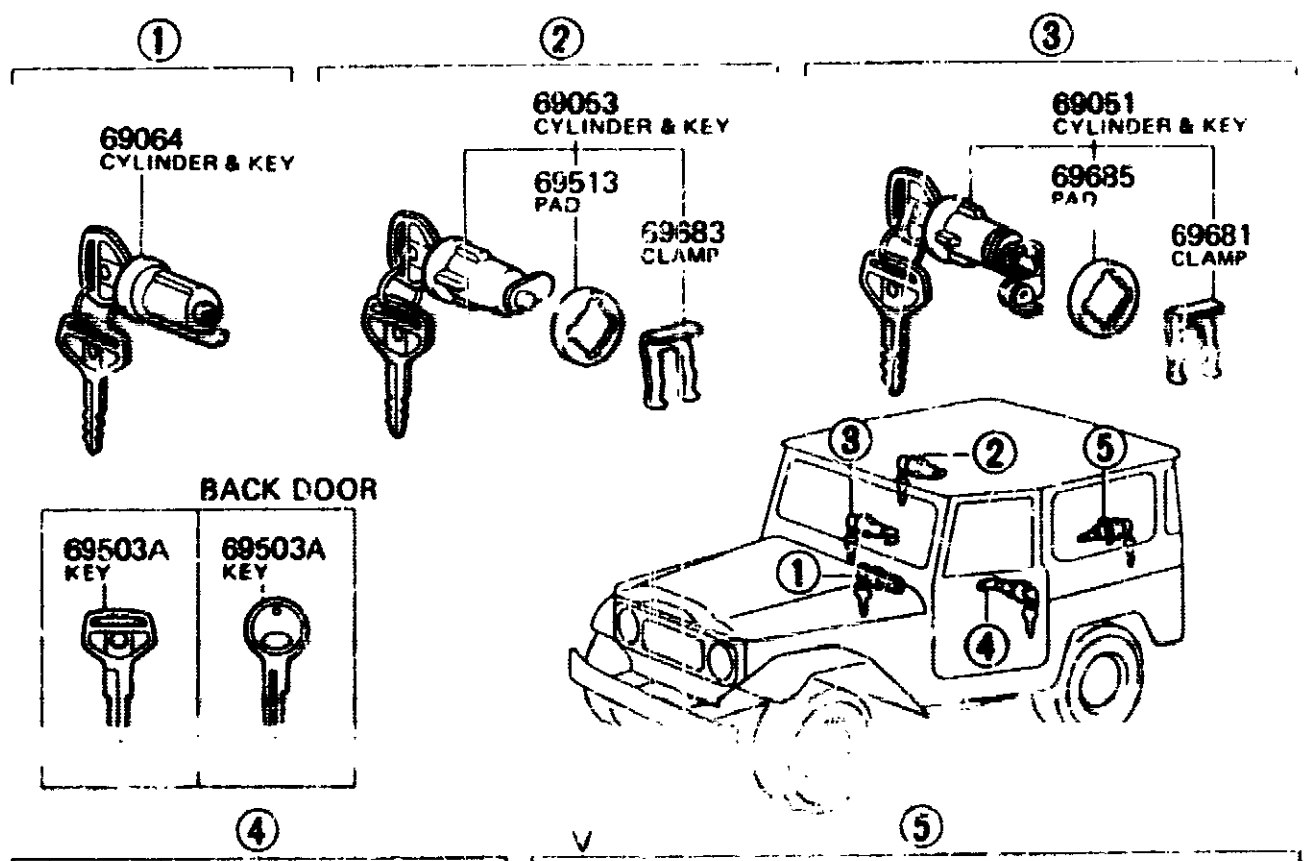
ILLUST. NO. 10F2

ILLUST. NO. 20F2



69503 CYLINDER & KEY

69503 CYLINDER & KEY



69064 CYLINDER & KEY

69053 CYLINDER & KEY

69051 CYLINDER & KEY

69513 PAD

69583 CLAMP

69685 PAD

69681 CLAMP

BACK DOOR

69503A KEY

69503A KEY

94511-00400

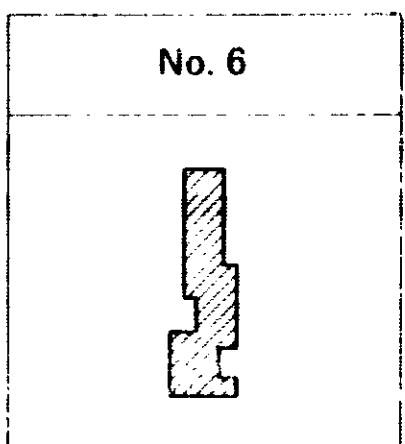
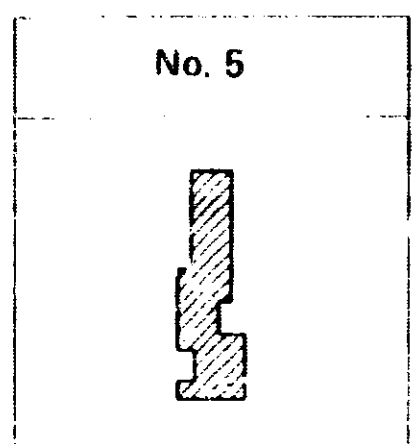
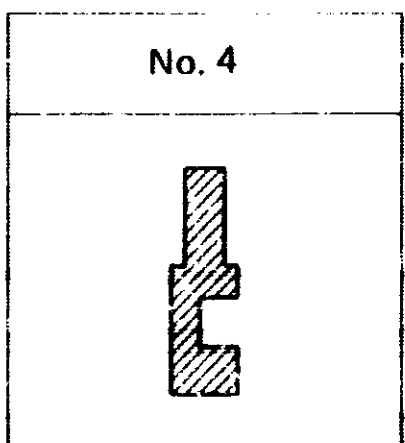
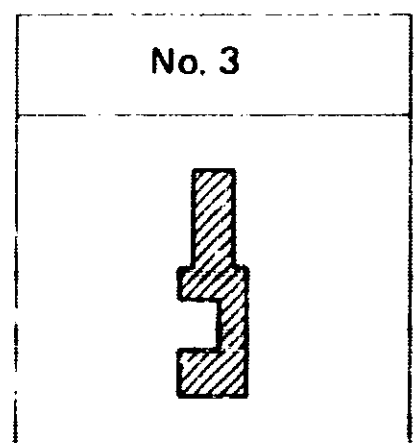
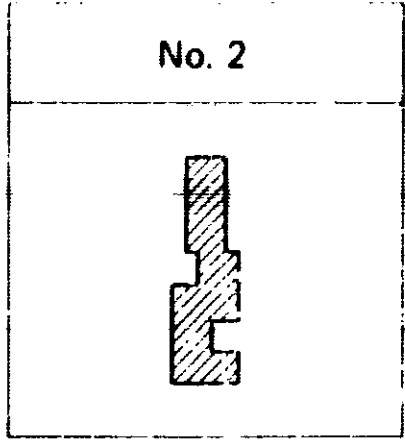
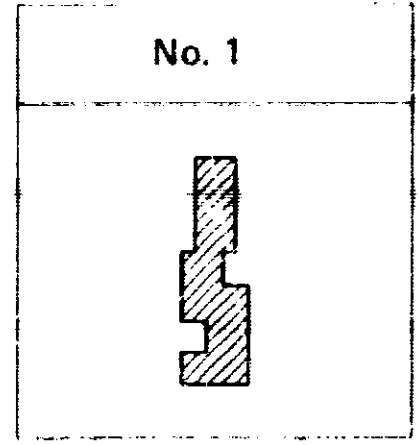
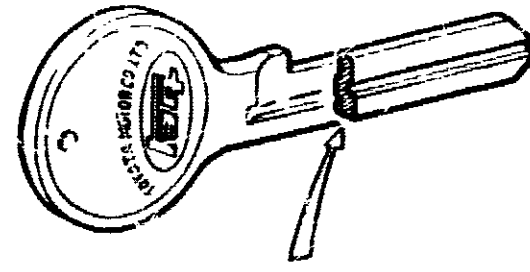
94115 40400

69543 PAD

69054 CYLINDER & KEY

MB 6577

Back Door

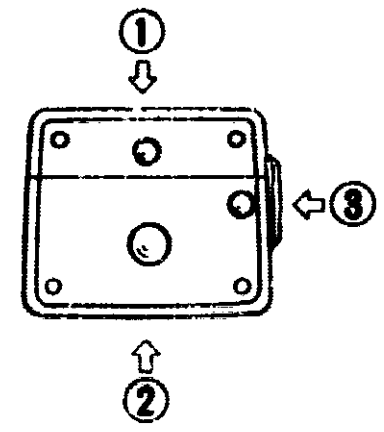
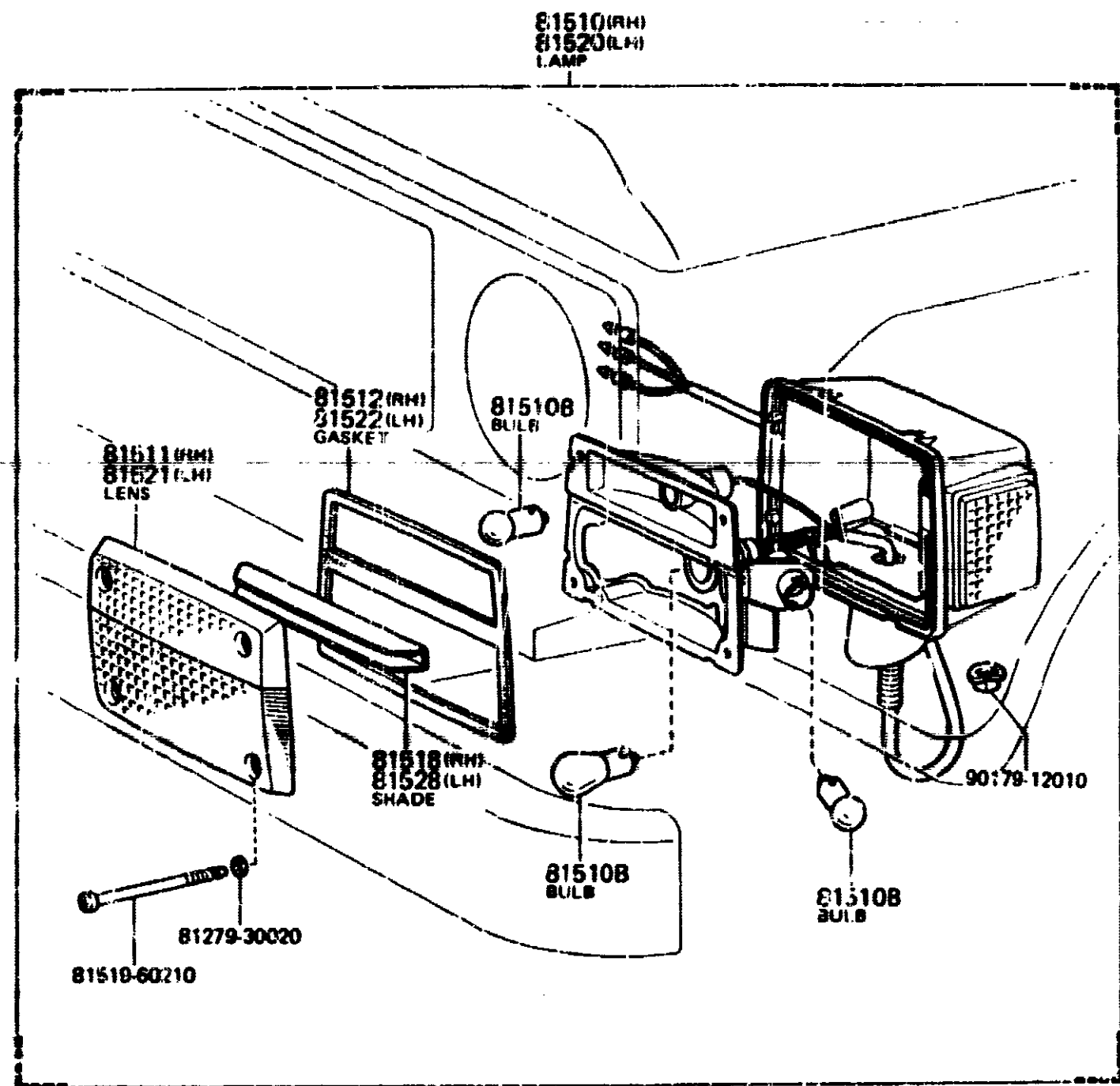


MB 6733



PROD. DATE	MODELS	DESCRIPTION	P	PART NUMBER	QTY	REV. REF. CODE		PROD. DATE	MODELS	DESCRIPTION	P	PART NUMBER	QTY	REV. REF. CODE		
						FROM	UP TO							FROM	UP TO	
FIG.	75-51 EMBLEM & NAME	PLATE														
	75321	PLATE, RADIATOR GRILLE OR FRONT PANEL NAME														
8008-8410	BJ42	DIESEL		75325-90301- (75315-90A00- )	1	1	80									
8008-8410	BJ42, FJ40	TOYOTA		75321-90301-	1	1	80									
	75361	PLATE, FRONT FENDER NAME, NO. 1 (MODEL MARK)														
8008-8012	BJ42, FJ40	TOYOTA LAND CRUISER		75343-90301-	2	1										
8012-8410	BJ42, FJ40	TOYOTA LAND CRUISER		75361-90800-	2		80									
	75441	PLATE, REAR NAME, NO. 1 (PLANT MARK)														
8008-8410	BJ42, FJ40	TOYOTA		75451-90300-	1	1	80									
	75465	PLATE, REAR NAME, NO. 5 (MECHANISM)														
8008-8410	BJ42, FJ40	4 WHEEL DRIVE		75453-90300-	1	1	80									

(8008- )



Voltage	No.	①	②	③
		12V	Clearance 12V 8W	Turn (Front) 12V 27W
24V	Clearance 24V 5W	Turn (Front) 24V 21W	Turn (Side) 24V 5W	

ME 8174

PROD. DATE	MODELS	DESCRIPTION	R/R	PART NUMBER	QTY	REV. REF. CODE	
						FROM	TO
FIG.	81-03 FRONT TURN SIGNAL LAMP						
	81510	LAMP ASSY, FRONT TURN SIGNAL, RH					
8008-8410	BJ42	AMBER-CLEAR		81510-69136--	1	1	80
8008-8309	FJ40	AMBER-CLEAR		81510-69037--	1	1	
	81510B	BULB (FOR FRONT TURN SIGNAL LAMP)					
8008-8410	BJ42	24V 21W		90981-16014-	2	1	80
8008-8410	BJ42	24V 5W		90981-16016-	4	1	80
8008-8309	FJ40	12V 27W		99132-11270-	2	1	
8008-8309	FJ40	12V 8W		99132-12080-	4	1	
	81511	LENS, FRONT TURN SIGNAL LAMP, RH					
8008-8410	BJ42, FJ40			81511-60211-	1	1	80
	81512	GASKET, FRONT TURN SIGNAL LAMP LENS, RH					
8008-8410	BJ42, FJ40			81512-60210-	1	1	80
	81518	SHADE, FRONT TURN SIGNAL LAMP, RH					
8008-8410	BJ42, FJ40			81517-60210-	1	1	80
	81520	LAMP ASSY, FRONT TURN SIGNAL, LH					
8008-8410	BJ42	AMBER-CLEAR		81520-69136--	1	1	80
8008-8309	FJ40	AMBER-CLEAR		81520-69037--	1	1	
	81521	LENS, FRONT TURN SIGNAL LAMP, LH					
8008-8410	BJ42, FJ40			81521-60080-	1	1	80
	81522	GASKET, FRONT TURN SIGNAL LAMP LENS, LH					
8008-8410	BJ42, FJ40			81512-60210--	1	1	80
	81523	SHADE, FRONT TURN SIGNAL LAMP, LH					
8008-8410	BJ42, FJ40			81517-60210-	1	1	80

PROD. DATE	MODELS	DESCRIPTION	R/P	PART NUMBER	QTY	REV. REF. CODE		PROD. DATE	MODELS	DESCRIPTION	R/P	PART NUMBER	QTY	REV. REF. CODE	
						FROM	UP TO							FROM	UP TO
8008-8410	↑-----↑   82823   CAP. TERMINAL, NO.1 ↑-----↑ BJ42, FJ40	W/ELECTRIC AL WINCH		82823-90300-	1	1	80								

(8008-8110)FJ40

(8110-8309)FJ40

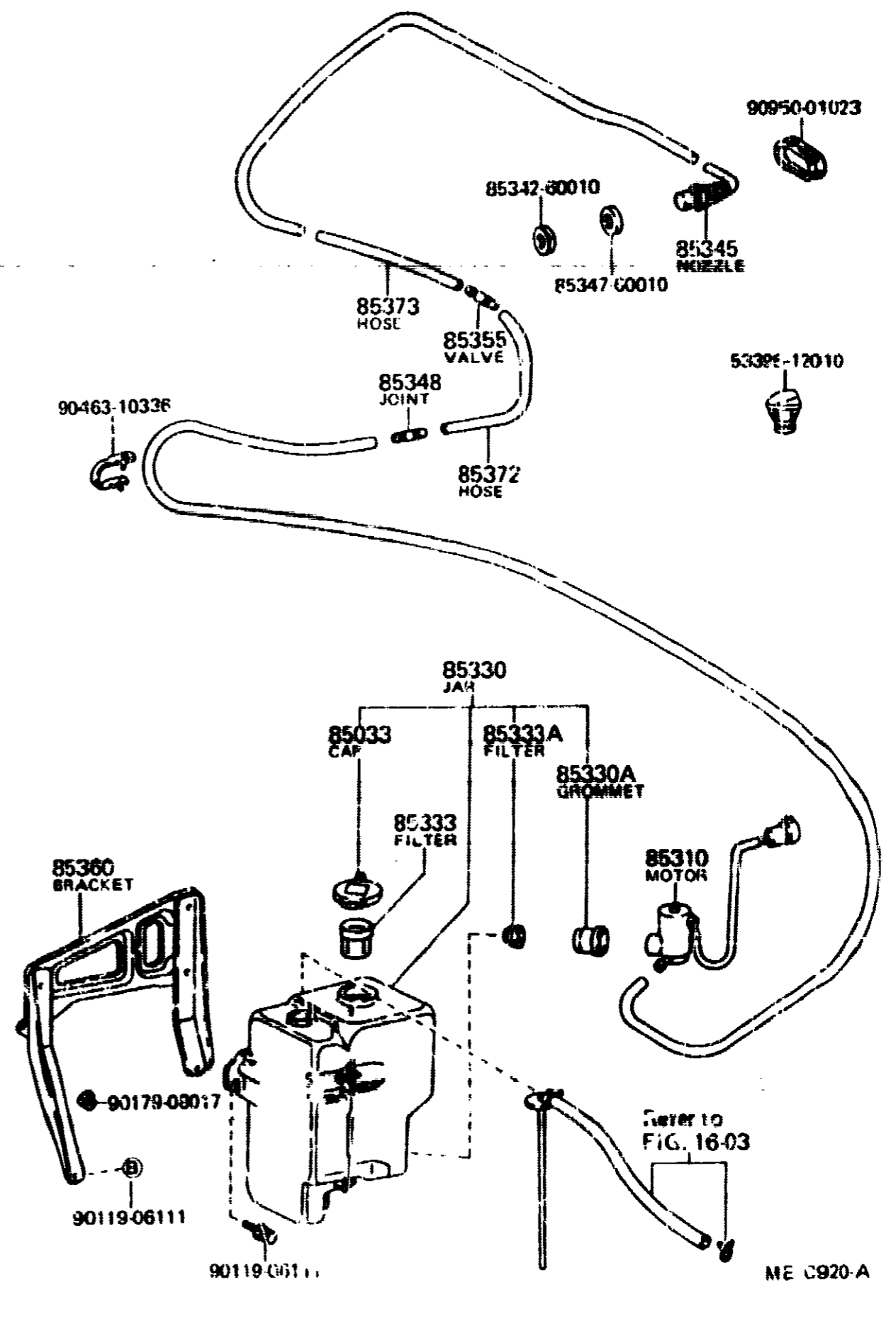
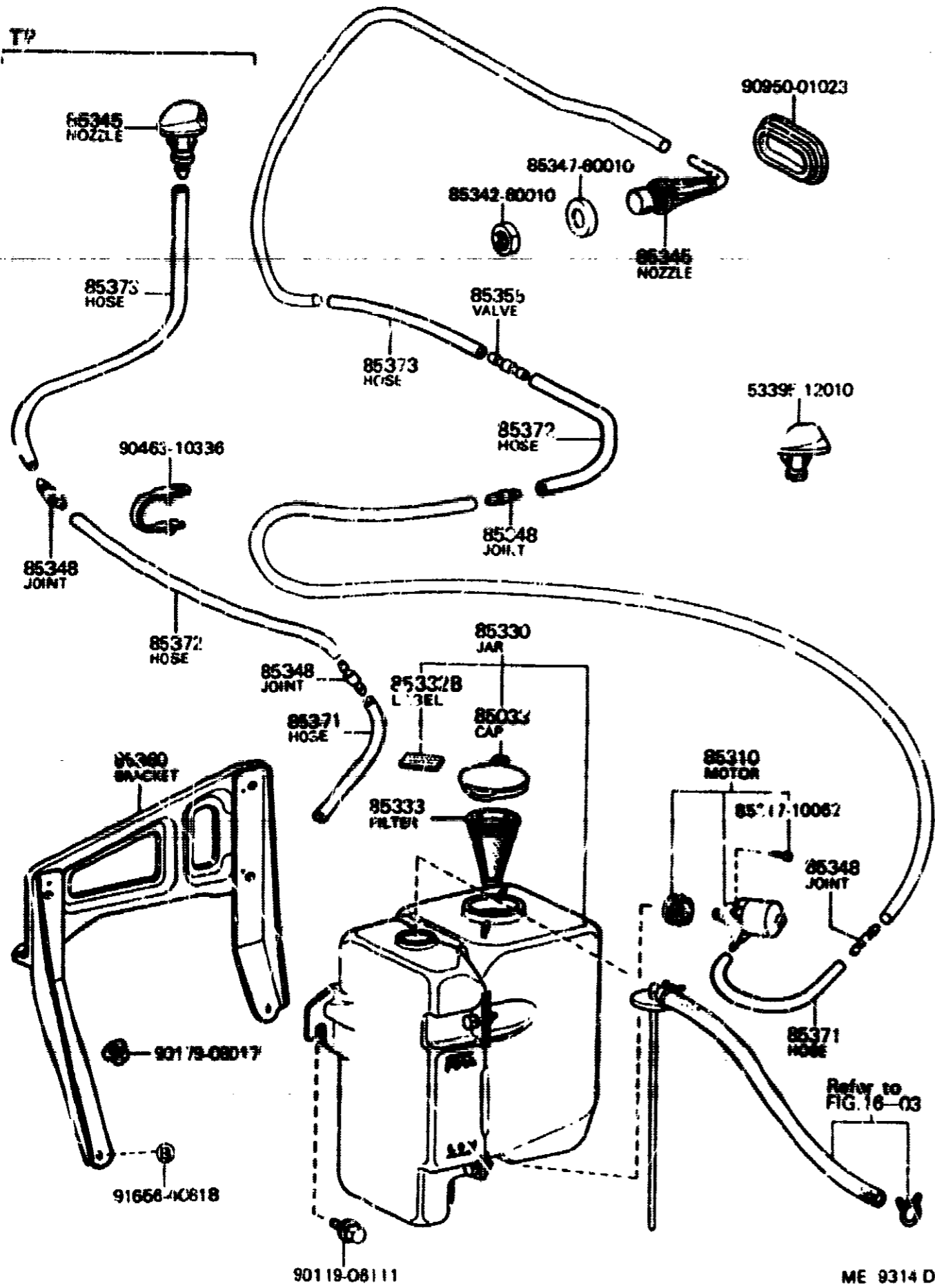
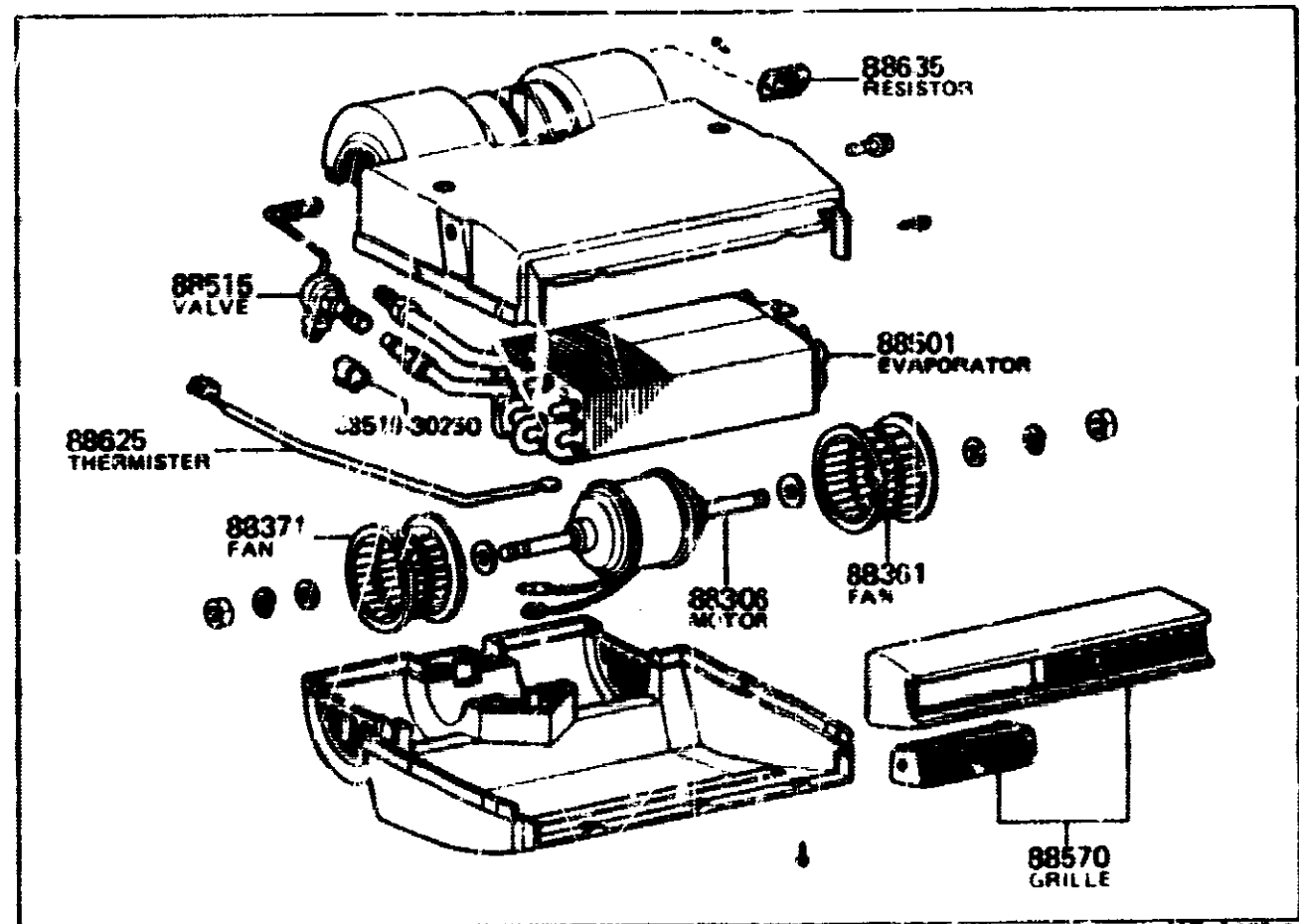
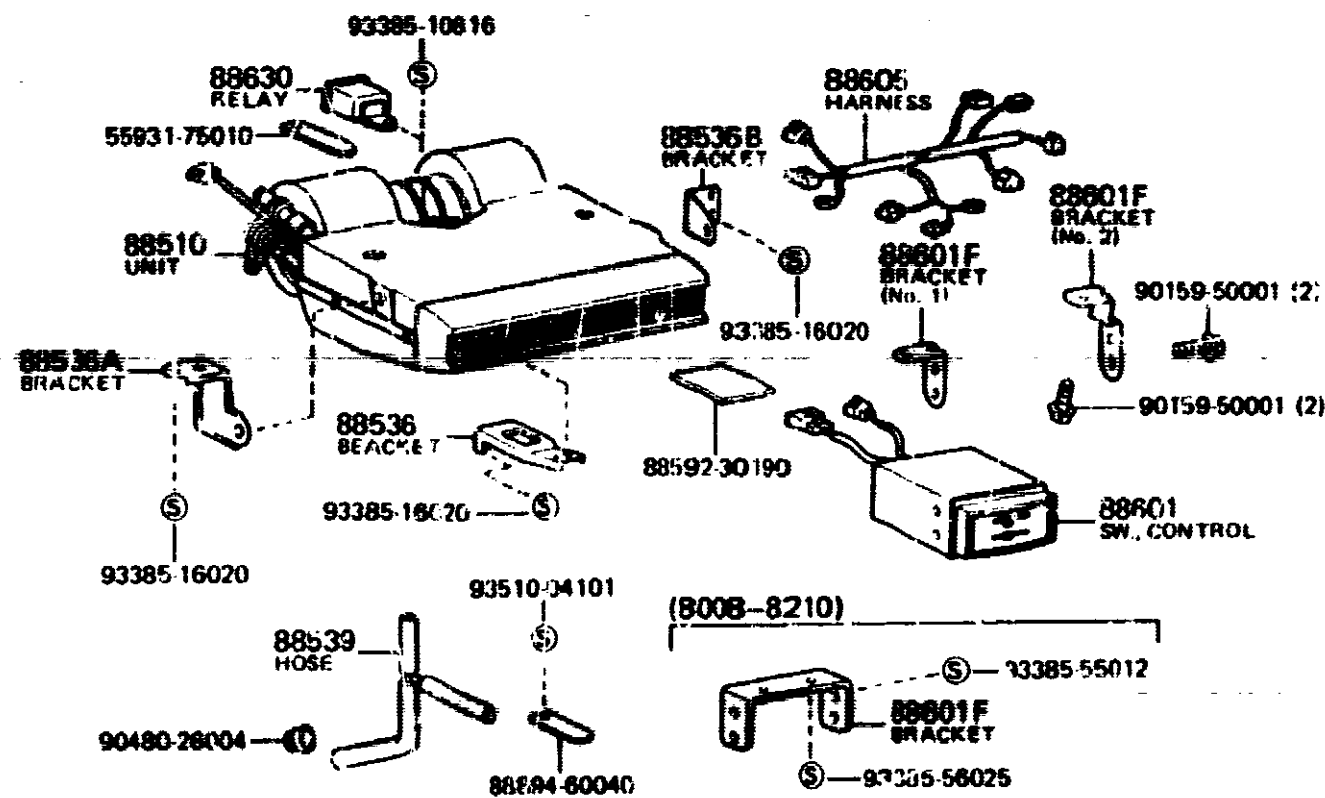


FIG.87-14 HEATING & AIR CONDITIONING -  
COOLER UNIT

3-L9

GENUINE TOYOTA PARTS

(8008-8305) FJ40..V..USA



ME 9457 D

PROG. DATE	MODELS	DESCRIPTION	PART NUMBER	QTY	REV. REF. CODE	
					FROM	UP TO
		FIG. 87-14 HEATING & AIR CONDITIONING - COOLER UNIT				
8008-8309	FJ40..V..USA	88306 MOTOR SUB-ASSY, COOLER BLOWER, NO.1	88550-60030-	1		1
8008-8309	FJ40..V..USA	88361 FAN, COOLER BLOWER, NO.1	68541-10010-	1		1
8008-8309	FJ40..V..USA	88371 FAN, COOLER BLOWER, NO.2	88541-10020-	1		1
8008-8309	FJ40..V..USA	88501 EVAPORATOR SUB-ASSY, COOLER, NO.1	88501-30531-	1		1
8008-8309	FJ40..V..USA	88510 UNIT ASSY, COOLER	88510-60080-	1		1
8008-8309	FJ40..V..USA	88515 VALVE, COOLER EXPANSION	88515-12051-	1		1
8008-8309	FJ40..V..USA	88536 BRACKET, COOLING UNIT, NO.1	68536-60120-	1		1
8210-8309	FJ40	88536A BRACKET, COOLING UNIT, NO.2	88536-60161-	1		19
8008-8210	FJ40..V..USA	88536 BRACKET, COOLING UNIT, NO.2	88536-60160-	1		18
8008-8309	FJ40..V..USA	88536B BRACKET, COOLING UNIT, NO.3	88536-60170-	1		1
8210-8309	FJ40	88539 HOSE, COOLER UNIT DRAIN, NO.1	88539-30250-	1		19
8008-8210	FJ40..V..USA	88539 HOSE, COOLER UNIT DRAIN, NO.1	88539-30520-	1		18
8008-8309	FJ40..V..USA	88570 GRILLE SUB-ASSY, COOLER AIR OUTLET	88570-55020-	1		1
8008-8309	FJ40..V..USA	88601 SWITCH SUB ASSY, COOLER CONTROL	88610-60050-	1		1

## MIRROR - NUT

L12

## NUT - PANEL

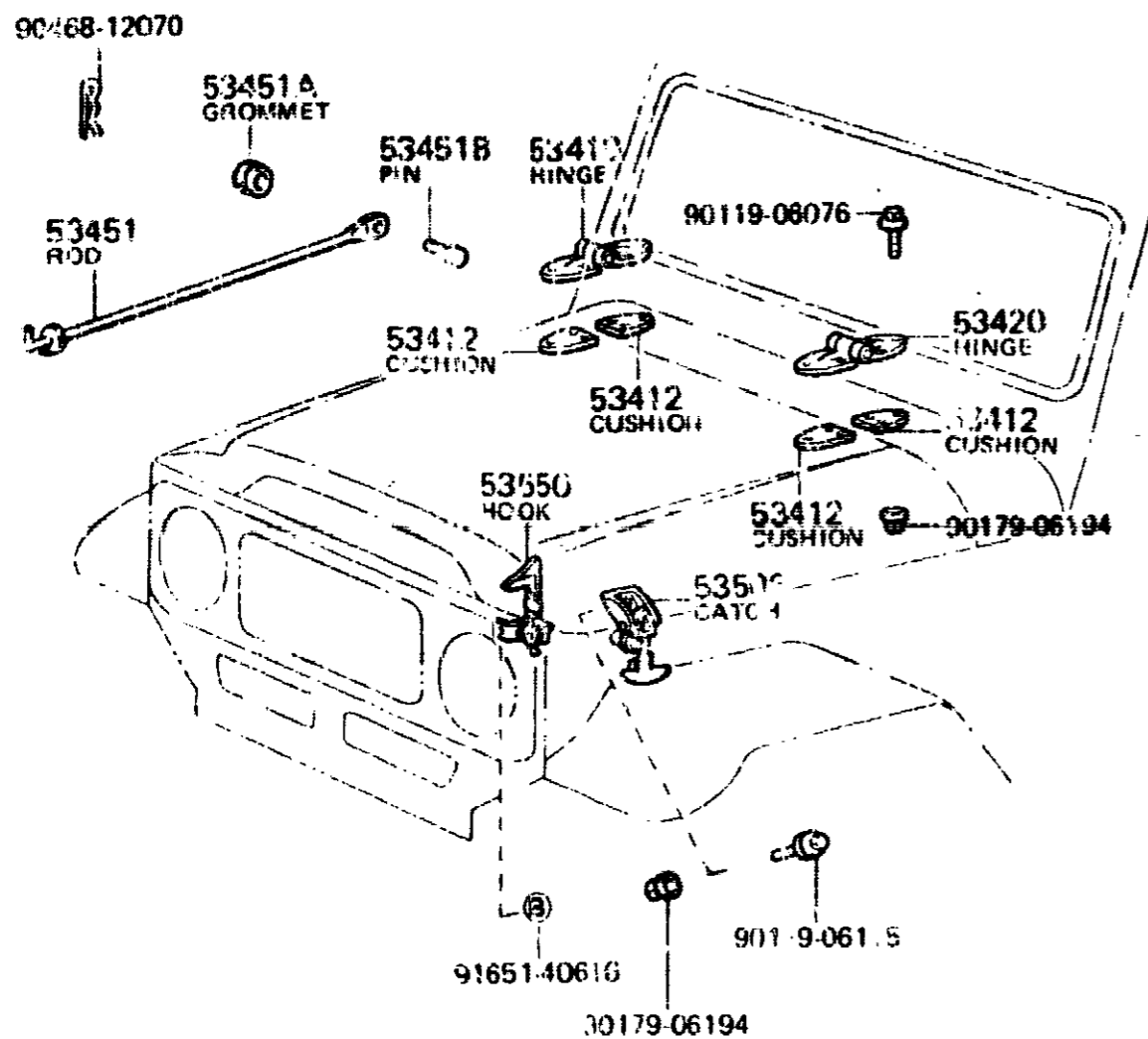
PART	NAME	LOCATION
MIRROR ASSY, INNER REAR VIEW		3-G7
MIRROR ASSY, OUTER REAR VIEW, LH		3-G
MIRROR ASSY, OUTER REAR VIEW, RH		3-G9
MODULATOR ASSY, EGR VACUUM		1-18
MOTOR AND BRACKET ASSY, WINDSHIELD WIPER		3-J8
MOTOR AND PUMP ASSY, WINDSHIELD WASHER		3-A9
MOTOR ASSY, W/MAGNET SWITCH, WINCH		2-A4
MOTOR ASSY, WINCH		2-A4
MOTOR SUB-ASSY, COOLER BLOWER, NO.1		3-L9
MOTOR SUB-ASSY, HEATER BLOWER		3-K9
MOTOR SUB-ASSY, REAR HEATER BLOWER		3-K9
MOTOR, COOLING FAN		1-A4
MOTOR, FUEL CONTROL		3-18
NET, AIR DUCT		3-A10
NIPPLE SUB-ASSY, OVERFLOW (FOR PNEUMATIC BELLOWS)		1-M7
NOZZLE ASSY		1-E7
NOZZLE, OIL		1-J1
NOZZLE, SUB-ASSY OIL, NO.1		1-K1
NOZZLE, WINDSHIELD WASHER		1-K1
NUT (FOR BACKING PLATE TO REAR AXLE HOUSING SETTING)		3-A9
NUT (FOR COUNTER GEAR SHAFT)		2-G7
NUT (FOR CRANKSHAFT PULLEY)		2-D2
NUT (FOR DRIVE PINION)		1-H2
NUT (FOR MANUAL TRANSMISSION OUTPUT SHAFT REAR SET)		2-E4
NUT (FOR RING PACKING SETTING)		2-B2
NUT (FOR STEERING CENTER ARM)		1-E7
NUT (FOR STEERING DAMPER)		2-H6
NUT (FOR STEERING CENTER ARM)		2-16
NUT (FOR TRANSFER OUTPUT SHAFT)		2-L2
NUT (FOR WIPER ARM SETTING)		2-L2
NUT OR COLLAR, PINION STOP, STARTER		3-J8
NUT, CAP (FOR CYLINDER HEAD COVER)		1-H1
NUT, CASTLE (FOR FRONT AXLE DRIVE PINION)		2-B5
NUT, CASTLE (FOR STEERING DRAG LINK)		2-16
NUT, CASTLE (FOR TIE ROD END)		2-H6
NUT, CENTER ARM SHAFT		2-H6
NUT, CHOKE		3-16
NUT, EXHAUST PIPE SET STUD BOLT		1-H4
NUT, FRONT AXLE DIFFERENTIAL BEARING ADJUST		1-H4
NUT, FRONT SPRING CENTER BOLT		2-A5
NUT, FRONT WHEEL ADJUSTING		2-D8
NUT, GOVERNOR IDLING SPRING SET		2-E5
NUT, HEXAGON (FOR CONNECTING ROD BOLT)		1-L7
NUT, HEXAGON (FOR CROSSHAFT TO PITMAN ARM SETTING)		1-H2
NUT, HEXAGON (FOR VALVE ADJUSTING)		2-15
NUT, HEXAGON (FOR SECTOR SHAFT TO PITMAN ARM SETTING)		1-L2
NUT, HUB (FOR AXLE)		2-L5
NUT, LOCK		2-K4
NUT, LOCK HANDLE		2-15
NUT, LOCK, NO.1		3-A4
NUT, NOZZLE RETAINING		2-J5
NUT, OLIVE E (FOR EGR INLET)		1-E7
NUT, REAR AXLE BEARING LOCK		1-H8
NUT, REAR DIFFERENTIAL BEARING ADJUSTING		2-14
NUT, REAR SPRING CENTER BOLT		2-E4
NUT, RELEASE CYLINDER PUSH ROD		2-G8
NUT, SPARE WHEEL, HUB		2-G1
NUT, STEERING WHEEL SET		3-D1
NUT, THROTTLE		2-F6
NUT, TIMER ROUND		3-J6
NUT, UNION (FOR EGR PIPE, NO.2)		1-J7
NUT, UNION (FOR FUEL PIPE)		1-H8
NUT, UNION (FOR OIL PUMP OUTLET PIPE)		1-K6
NUT, UNION, EGR PIPE, NO.1		1-B3
NUT, UNION, EGR PIPE, NO.1		1-H6

PART	NAME	LOCATION
NUT, WINDSHIELD WIPER LINK PIVOT		3-J8
NUT, WING (FOR AIR CLEANER)		1-K4
NUT, CASTLE (FOR RELAY ROD)		2-H6
OLIVE (FOR FUEL PIPE)		1-K6
OPENER		1-B7
ORNAMENT SUB-ASSY, RADIATOR GRILLE		3-J1
ORNAMENT SUB-ASSY, WHEEL HUB		2-L4
OUTLET, WATER		1-M3
PACKING, COWL SIDE VENTILATOR COVER		3-F2
PACKING, DUST PROOF		1-L5
PACKING, FRONT DOOR WEATHERSTRIP, FRONT		3-M5
PACKING, FRONT DOOR WEATHERSTRIP, REAR		3-M5
PACKING, FRONT SIDE TOP BOW, LH		3-K3
PACKING, FRONT SIDE TOP BOW, RH		3-K3
PACKING, FRONT SIDE TOP, LH		3-K3
PACKING, FRONT SIDE TOP, RH		3-K3
PACKING, FUEL HOLE COVER		3-K2
PACKING, GLOVE COMPARTMENT DOOR		3-E2
PACKING, HEATER BLOWER MOTOR		3-K9
PACKING, REAR BODY REAR SIDE SERVICE HOLE COVER		3-D3
PACKING, REAR UPPER SIDE PANEL SET		3-C3
PACKING, REAR VIEW OUTSIDE MIRROR STAY		3-G9
PACKING, ROOF DRIP MOULDING		3-G3
PACKING, TRANSMISSION COVER		3-J2
PACKING, VACUUM PUMP		1-J6
PACKING, WINDSHIELD WIPER MOTOR		3-K8
PACKING, WINDSHIELD WIPER PIVOT		3-J8
PAD KIT, DISC BRAKE, FRONT		2-E7
PAD SUB-ASSY, INSTRUMENT PANEL LOWER, CENTER		3-D2
PAD SUB-ASSY, INSTRUMENT PANEL LOWER, LH		3-D2
PAD SUB-ASSY, INSTRUMENT PANEL LOWER, RH		3-D2
PAD, BACK DOOR LOCK CYLINDER		3-M4
PAD, BACK DOOR OUTSIDE HANDLE		3-J4
PAD, BRAKE PEDAL		2-16
PAD, CLUTCH PEDAL		2-D1
PAD, FUEL FILLER LID LOCK CYLINDER		3-M4
PAD, LOCK CYLINDER		3-A5
PAD, ROLL BAR BRACKET, LH		3-G5
PAD, ROLL BAR BRACKET, RH		3-G5
PAD, ROLL BAR FRONT, LH		3-G5
PAD, ROLL BAR FRONT, RH		3-G5
PAD, ROLL BAR, SIDE		3-G5
PAN SUB-ASSY, OIL		1-K1
PAN, REAR FLOOR		3-K2
PANEL ASSY, REAR BODY SIDE, LH		3-D3
PANEL ASSY, REAR BODY SIDE, RH		3-D3
PANEL ASSY, REAR UPPER SIDE, LH		3-C3
PANEL ASSY, REAR UPPER SIDE, RH		3-C3
PANEL ASSY, ROOF		3-G3
PANEL SUB-ASSY, BACK DOOR		3-H4
PANEL SUB-ASSY, COWL		3-G2
PANEL SUB-ASSY, COWL SIDE, LH		3-C3
PANEL SUB-ASSY, COWL SIDE, RH		3-C3
PANEL SUB-ASSY, COWL TOP, INSIDE		3-G2
PANEL SUB-ASSY, DASH		3-B2
PANEL SUB-ASSY, FRONT DOOR, LH		3-L3
PANEL SUB-ASSY, FRONT DOOR, RH		3-L3
PANEL SUB-ASSY, HOOD SIDE, LH		3-K1
PANEL SUB-ASSY, HOOD SIDE, RH		3-K1
PANEL SUB-ASSY, INSTRUMENT		3-D2
PANEL, FRONT FLOOR		3-J2
PANEL, INSTRUMENT CLUSTER FINISH, CENTER		3-D2
PANEL, INSTRUMENT IMPACT		3-D2
PANEL, REAR BODY FRONT SIDE, LH		3-C3

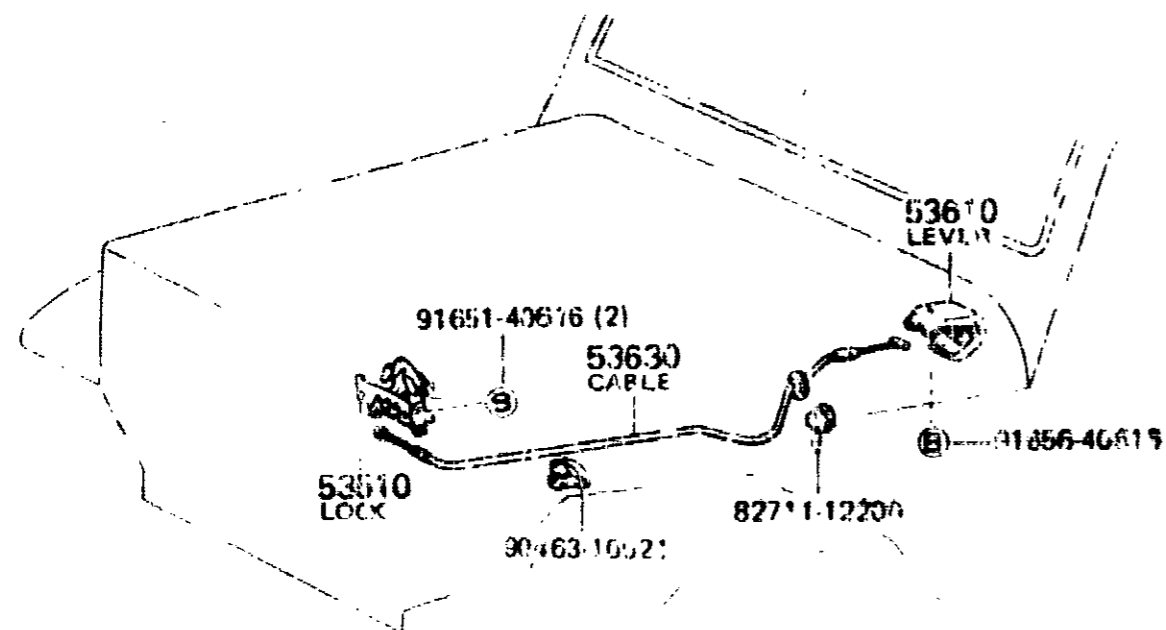
## FIGURE NUMBER INDEX

LOCATION	FIG.No.	SUMMARY	LOCATION	FIG.No.	SUMMARY	LOCATION	FIG.No.	SUMMARY
		<b>TOOL GROUP</b>			<b>FUEL GROUP</b>			
1-A1	09-01	STANDARD TOOL	1-KA	21-11	FUEL PIPE & CLAMP	2-C4	41-01	REAR AXLE HOUSING & DIFFERENTIAL
		<b>ENGINE GROUP</b>	1-L6	21-02	CARBURETOR ASSEMBLY	2-H4	41-02	REAR AXLE SHAFT
1-C1	11-01	PARTIAL ENGINE ASSEMBLY	1-M6	21-03	CARBURETOR	2-K4	41-03	WHEEL CAP & WHEEL ASSY
1-D1	11-02	SHORT BLOCK ASSEMBLY	1-E7	22-01	INJECTION NOZZLE	2-M4	43-01	FRONT AXLE HOUSING & DIFFERENTIAL
1-E1	11-03	ENGINE OVERHAUL GASKET KIT	1-G7	22-02	INJECTION PUMP ASSEMBLY	2-C5	43-02	DRIVE SHAFT
1-F1	11-04	CYLINDER HEAD	1-H7	22-03	INJECTION PUMP BODY	2-D5	43-03	FRONT AXLE HUB
1-J1	11-05	CYLINDER BLOCK	1-K7	22-04	PNEUMATIC GOVERNOR	2-F5	45-01	STEERING COLUMN & GEAR HOUSING
1-L1	11-06	TIMING GEAR COVER & REAR END PLATE	1-A8	22-06	FUEL FEED PUMP	2-M5	45-02	VANE PUMP & RESERVOIR
1-B2	11-07	MOUNTING	1-C8	22-07	AUTOMATIC TIMER	2-C6	45-03	OIL COOLER & TUBE
1-D2	12-01	VENTILATION HOSE	1-D8	23-01	FUEL PUMP	2-F6	45-04	STEERING WHEEL
1-F2	12-01	CRANKSHAFT & PISTON	1-E8	23-02	FUEL FILTER	2-G6	45-05	STEERING LINK
1-J2	13-02	CAMSHAFT & VALVE	1-H8	25-01	EXHAUST GAS RECIRCULATION SYSTEM	2-J6	46-01	PARKING BRAKE & CABLE
1-A3	15-01	OIL PUMP	1-J8	26-06	VENTURI	2-L6	47-01	BRAKE PEDAL & BRACKET
1-D3	15-02	OIL FILTER			<b>POWER TRAIN-CHASSIS GROUP</b>	2-M6	47-02	BRAKE MASTER CYLINDER
1-F3	15-03	OIL COOLER	2-A1	31-01	CLUTCH & RELEASE FORK	2-B7	47-03	BRAKE BOOSTER
1-H3	16-01	WATER PUMP	2-C1	31-02	CLUTCH PEDAL & FLEXIBLE HOSE	2-E7	47-05	FRONT DISC BRAKE CALIPER & DUST COVER
1-K3	16-03	RADIATOR & WATER OUTLET	2-E1	31-03	CLUTCH MASTER CYLINDER	2-G7	47-06	REAR BACKING PLATE & WHEEL CYLINDER
1-C4	17-01	MANIFOLD	2-F1	31-05	CLUTCH RELEASE CYLINDER	2-J7	47-08	BRAKE TUBE & CLAMP
1-G4	17-02	EXHAUST PIPE	2-H1	33-01	TRANSAXLE OR TRANSMISSION ASSY & GASKET KIT (MTM)	2-K6	48-02	FRONT AXLE ARM & STEERING KNUCKLE
1-J4	17-03	AIR CLEANER	2-J1	33-02	CLUTCH HOUSING & TRANSMISSION CASE (MTM)	2-C8	48-03	FRONT SPRING & SHOCK ABSORBER
1-M4	17-05	AIR PUMP	2-L1	33-04	SPEEDOMETER DRIVEN GEAR (MTM)	2-F8	48-04	REAR SPRING & SHOCK ABSORBER
1-B5	17-06	MANIFOLD AIR INJECTION SYSTEM	2-M1	33-05	TRANSMISSION GEAR (MTM)			
1-D5	17-08	VACUUM PIPING	2-E2	33-07	GEAR SHIFT FORK & LEVER SHAFT (MTM)			
1-H5	17-09	CAUTION PLATE & NAME PLATE	2-I2	33-12	SHIFT LEVER & RETAINER			
1-I5	19-01	IGNITION COIL & SPARK PLUG	2-K2	36-08	TRANSFER ASSY & GASKET KIT			
1-K5	19-02	DISTRIBUTION	2-L2	36-09	TRANSFER CASE & EXTENSION HOUSING			
1-A6	19-03	ALTERNATOR	2-A3	36-10	TRANSFER GEAR			
1-E6	19-04	STARTER	2-D3	36-11	TRANSFER LEVER & SHIFT ROD			
1-I6	19-05	VACUUM PUMP	2-F3	37-01	PROPELLER SHAFT & UNIVERSAL JOINT			
			2-H3	38-01	WINCH KIT			
			2-I3	38-02	WINCH			

(8008-- )



(8305- ) BJ42



NB 8519A

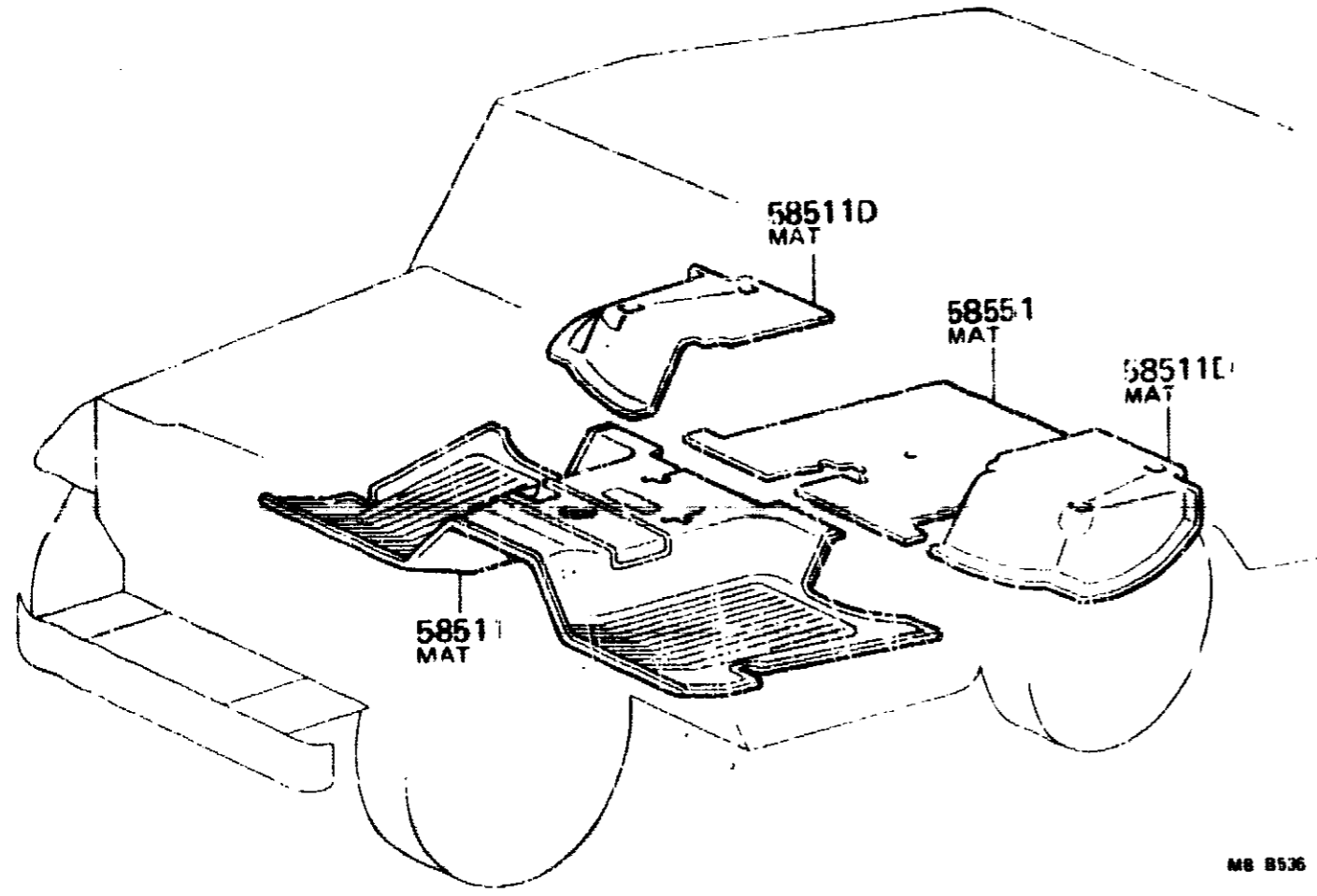
PRD. DATE	MODELS	DESCRIPTION	P/P	PART NUMBER	QTY	REV. REF. CODE	
						FROM	UP TO
FIG.	53-54 HOOD LOCK & HINGE						
8008-8410	BJ42, FJ40	HINGE ASSY, HOOD, RH		53410-90301-	1	1	80
8008-8410	BJ42, FJ40	CUSHION, HOOD HINGE SHEET		53412-90300-	4	1	80
8008-8410	BJ42, FJ40	HINGE ASSY, HOOD, LH		53410-90301-	1	1	80
8008-8410	BJ42, FJ40	ROD, HOOD SUPPORT		53403-90300-	1	1	80
8008-8410	BJ42, FJ40	GROMMET (FOR HOOD SUPPORT ROD)		90480-16060-	1	1	80
8008-8410	BJ42, FJ40	PIN (FOR HOOD SUPPORT ROD)		90240-08007-	1	1	80
8008-8410	BJ42, FJ40	CATCH SUB-ASSY, HOOD		53506-90300-	2	1	80
8305-8410	BJ42	LOCK ASSY, HOOD		53510-90501-	1	39	80
8008-8305	BJ42, FJ40	HOOK ASSY, HOOD AUXILIARY CATCH		53505-90303-	1	1	38
8305-8410	BJ42	LEVER ASSY, HOOD LOCK RELEASE		53601-20050-01	1	39	80
8305-8410	BJ42	CABLE ASSY, HOOD LOCK CONTROL		53630-90801-	1	39	80



3-M2

GENUINE TOYOTA PARTS

(8008- )



PROD. DATE	MODELS	DESCRIPTION	P R T	PART NUMBER	QTY	REV. REF. CODE	
						FROM	UP TO
FIG.	58-54 FLOOR MAT & SILENCER PAD						
	58511 MAT, FLOOR, FRONT						
8008-8210	BJ41			# 58511-90279- (58511-90300-)	1	1	18
8210-8410	BJ42			# 58511-90815-03 (58510-90807-03)	1	1	80
8008-8210	FJ40			58510-90300-	1	1	18
8210-8309	FJ40			58510-90806-03	1	19	
	58511D MAT SUB-ASSY, FRONT FLOOR, REAR						
8008-8210	BJ42, FJ40	RH		58512-90300-	1	1	18
8008-8210	BJ42, FJ40	LH		58514-90300-	1	1	18
8210-8410	BJ42, FJ40	RH		58514-90800-03	1	19	80
8210-8410	BJ42, FJ40	LH		58515-90801-03	1	19	80
	58551 MAT, FLOOR, REAR						
8008-8410	BJ42, FJ40			58501-90302-	1	1	80

# QTY	DATE	MODELS	DESCRIPTION	R/P	PART NUMBER	QTY	REV. REF. CODE	
							FROM	UP TO
		68101	GLASS SUB-ASSY, FRONT DOOR, RH					
8008-8410		BJ42, FJ40	XTEM, T=4.0, W/XVW		68111-90801-	1	1	80
8008-8410		BJ42, FJ40	XTT, T=4.0, W/D XVW		68111-90802-	1	1	80
8008-8410		BJ42, FJ40	XTT, T=4.0, W/XVW		68111-90803-	1	1	80
		68102	GLASS SUB-ASSY, FRONT DOOR, LH					
8008-8410		BJ42, FJ40	XTEM, T=4.0, W/D XVW		68111-90800-	1	1	80
8008-8410		BJ42, FJ40	XTEM, T=4.0, W/XVW		68111-90801-	1	1	80
8008-8410		BJ42, FJ40	XTT, T=4.0, W/D XVW		68111-90802-	1	1	80
8008-8410		BJ42, FJ40	XTT, T=4.0, W/XVW		68111-90803-	1	1	80
		68141	RUN, FRONT DOOR GLASS					
8008-8410		BJ42, FJ40	W/D XVW		68105-90302-	2	1	80
8008-8410		BJ42, FJ40	W/XVW		68105-90303-	2	1	80
		68143	RUN, FRONT DOOR GLASS, LOWER					
8008-8410		BJ42, FJ40			67434-9030J-	4	1	80
		68161	WEATHERSTRIP, FRONT DOOR GLASS, OUTER					
8008-8410		BJ42, FJ40	W/D XVW		68160-90802-	2	1	80
8008-8410		BJ42, FJ40	RH, W/XVW		68160-90803-	1	1	80
8008-8410		BJ42, FJ40	LH, W/XVW		68210-90801-	1	1	80
		68170	WEATHERSTRIP ASSY, FRONT DOOR GLASS, INNER					
8008-8410		BJ42, FJ40	W/D XVW		68160-90300-	2	1	80
8008-8410		BJ42, FJ40	RH, W/XVW		68160-90301-	1	1	80
8008-8410		BJ42, FJ40	LH, W/XVW		68170-90302-	1	1	80
		68191A	PACKING, FRONT DOOR WEATHERSTRIP, FRONT					
8008-8410		BJ42, FJ40			68191-90300-	2	1	80

# QTY	DATE	MODELS	DESCRIPTION	R/P	PART NUMBER	QTY	REV. REF. CODE	
							FROM	UP TO
		68192A	PACKING, FRONT DOOR WEATHERSTRIP, REAR					
8008-8112		BJ42, FJ40			68192-90300-	2	1	
8112-8410		BJ42, FJ40	RH		68194-90800-	1		80
8112-8410		BJ42, FJ40	LH		68195-90800-	1		80

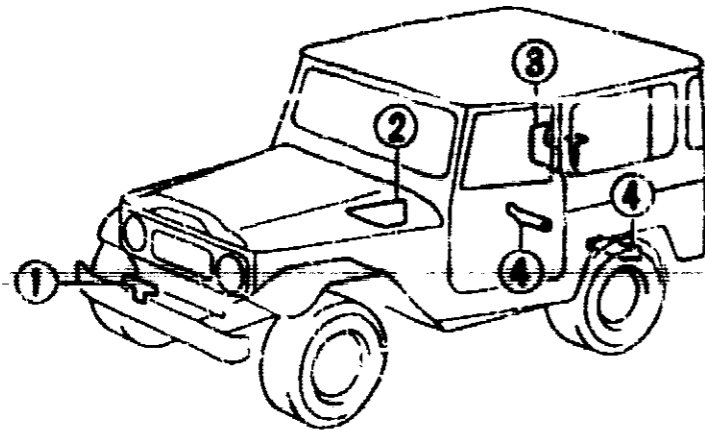
\* TEM = Tempered  
\* VW = Ventilator Window

\* TT = Tinted Tempered

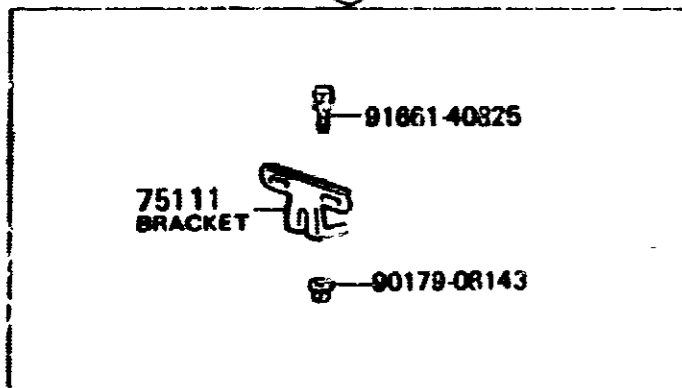
PROD. DATE	MODELS	DESCRIPTION	P	PART NUMBER	QTY	REV. REF. CODE	
						FROM	UP TO
FIG.	67-65	LOCK CYLINDER SET					
		↑ 69051 ↓ CYLINDER AND KEY SET, DOOR LOCK, RH					
8309-8410	BJ42			69051-90802-	1		80
8008-8210	BJ42, FJ40			69051-69015-	1	1	18
8210-8309	BJ42, FJ40			69051-90801- (69051-90802-)	1	19	
		↑ 69052 ↓ CYLINDER AND KEY SET, DOOR LOCK, LH					
8309-8410	BJ42			69052-90802-	1		80
8008-8210	BJ42, FJ40			69052-69015-	1	1	18
8210-8309	BJ42, FJ40			69052-90801- (69052-90802-)	1	19	
		↑ 69053 ↓ CYLINDER AND KEY SET, FUEL INLET LOCK					
8309-8410	BJ42			69053-90805-	1		80
8008-8210	BJ42, FJ40			69053-90300-	1	1	18
8210-8309	BJ42, FJ40			69053-90802- (69053-90805-)	1	19	
		↑ 69054 ↓ CYLINDER AND KEY SET, BACK DOOR LOCK					
8008-8410	BJ42, FJ40..V			69510-60010-	1	1	80
		↑ 69064 ↓ CYLINDER AND KEY SET, IGNITION SWITCH LOCK					
8008-8110	BJ42	W/STEERING LOCK		69057-60011-	1	1	6
8309-8410	BJ42	W/STEERING LOCK		69057-90803-	1		80
8110-8210	BJ42, FJ40	W/STEERING LOCK		69064-60061-	1	7	18
8210-8309	BJ42, FJ40	W/STEERING LOCK		69057-90802- (69057-90803-)	1	19	
8008-8110	FJ40	W/STEERING LOCK		69064-60061-	1	1	6
8008-8210	FJ40	W/O STEERING LOCK		69064-60021-	1	1	18
8210-8309	FJ40	W/O STEERING LOCK		69057-90801-	1	19	
		↑ 69503 ↓ CYLINDER SET, LOCK					
8008-8110	BJ42			69005-90320-	1	1	6

PROD. DATE	MODELS	DESCRIPTION	P	PART NUMBER	QTY	REV. REF. CODE	
						FROM	UP TO
		↑ 69503 ↓ CONTINUED CYLINDER SET, LOCK					
8309-8410	BJ42	W/STEERING LOCK		69005-90807-	1		80
8110-8210	BJ42, FJ40	W/STEERING LOCK		69005-90316-	1	7	18
8210-8309	BJ42, FJ40	W/STEERING LOCK		69005-90806- (69005-90807-)	1	19	
8008-8110	FJ40	W/STEERING LOCK		69005-90316-	1	1	6
8008-8210	FJ40	W/O STEERING LOCK		69005-90315-	1	1	18
8210-8309	FJ40	W/O STEERING LOCK		69005-90803-	1	19	
		↑ 69503A ↓ KEY, BLANK					
8008-8410	BJ42, FJ40			90999-00066-	1	1	80
8008-8410	BJ42, FJ40..V	BACK DOOR, NO. 1		90999-00006-01 (90999-00011-01)	1	1	80
8008-8410	BJ42, FJ40..V	BACK DOOR, NO. 2		90999-00006-02 (90999-00011-02)	1	1	80
8008-8410	BJ42, FJ40..V	BACK DOOR, NO. 3		90999-00006-03 (90999-00011-03)	1	1	80
8008-8410	BJ42, FJ40..V	BACK DOOR, NO. 4		90999-00006-04 (90999-00011-04)	1	1	80
8008-8410	BJ42, FJ40..V	BACK DOOR, NO. 5		90999-00006-05 (90999-00011-05)	1	1	80
8008-8410	BJ42, FJ40..V	BACK DOOR, NO. 6		90999-00006-06 (90999-00011-06)	1	1	80
		↑ 69513 ↓ PAD, FUEL FILLER LID LOCK CYLINDER					
8008-8410	BJ42, FJ40			69585-95400-	1	1	80
		↑ 69563 ↓ PAD, BACK DOOR LOCK CYLINDER					
8008-8410	BJ42, FJ40			69563-90300-	1	1	80
		↑ 69681 ↓ CLAMP, DOOR LOCK CYLINDER AND SLEEVE					
8008-8410	BJ42, FJ40			69681-20040-	2	1	80
		↑ 69683 ↓ CLAMP, FUEL LOCK CYLINDER					
8008-8410	BJ42, FJ40			69681-20040-	1	1	80

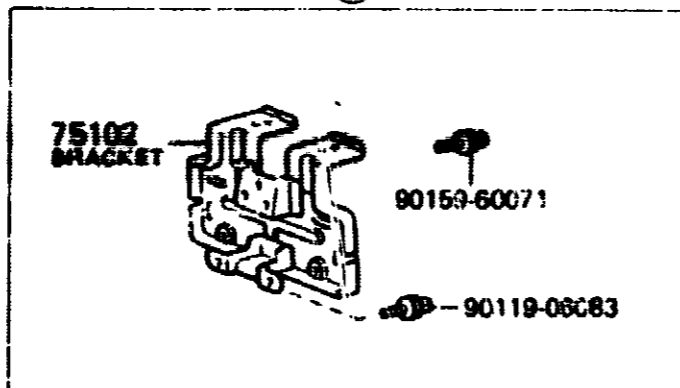
(8008- )



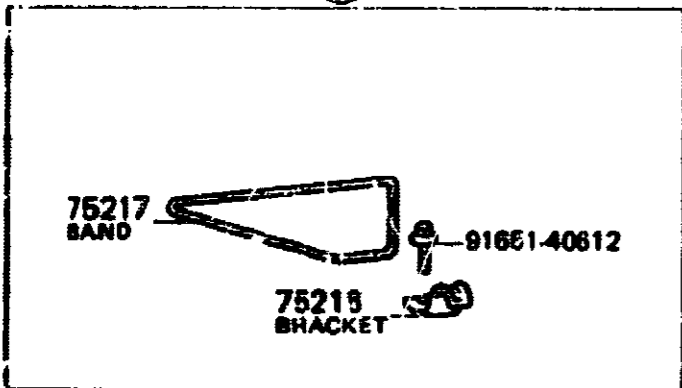
①



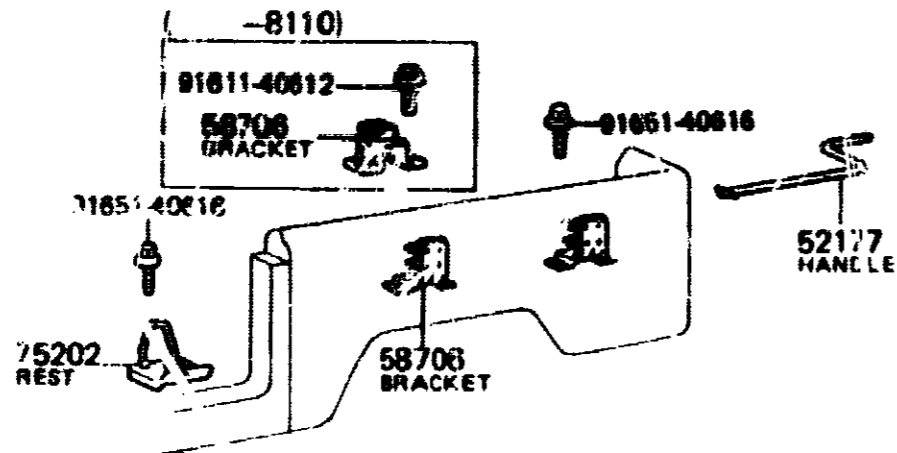
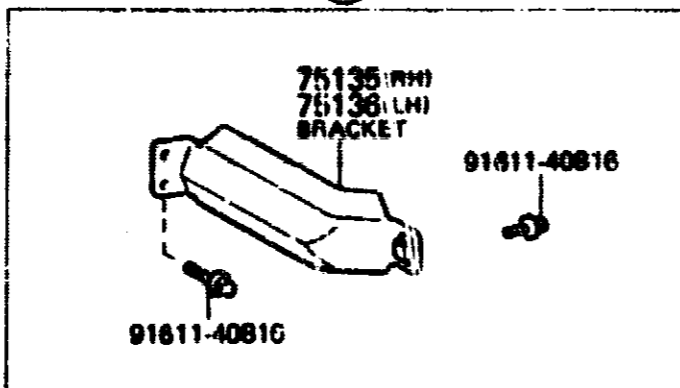
③



②



④



MS 8860 C

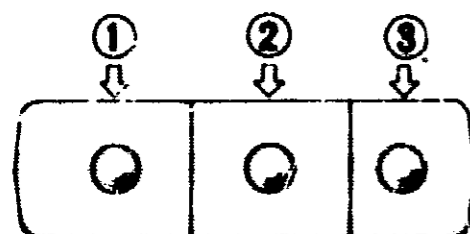
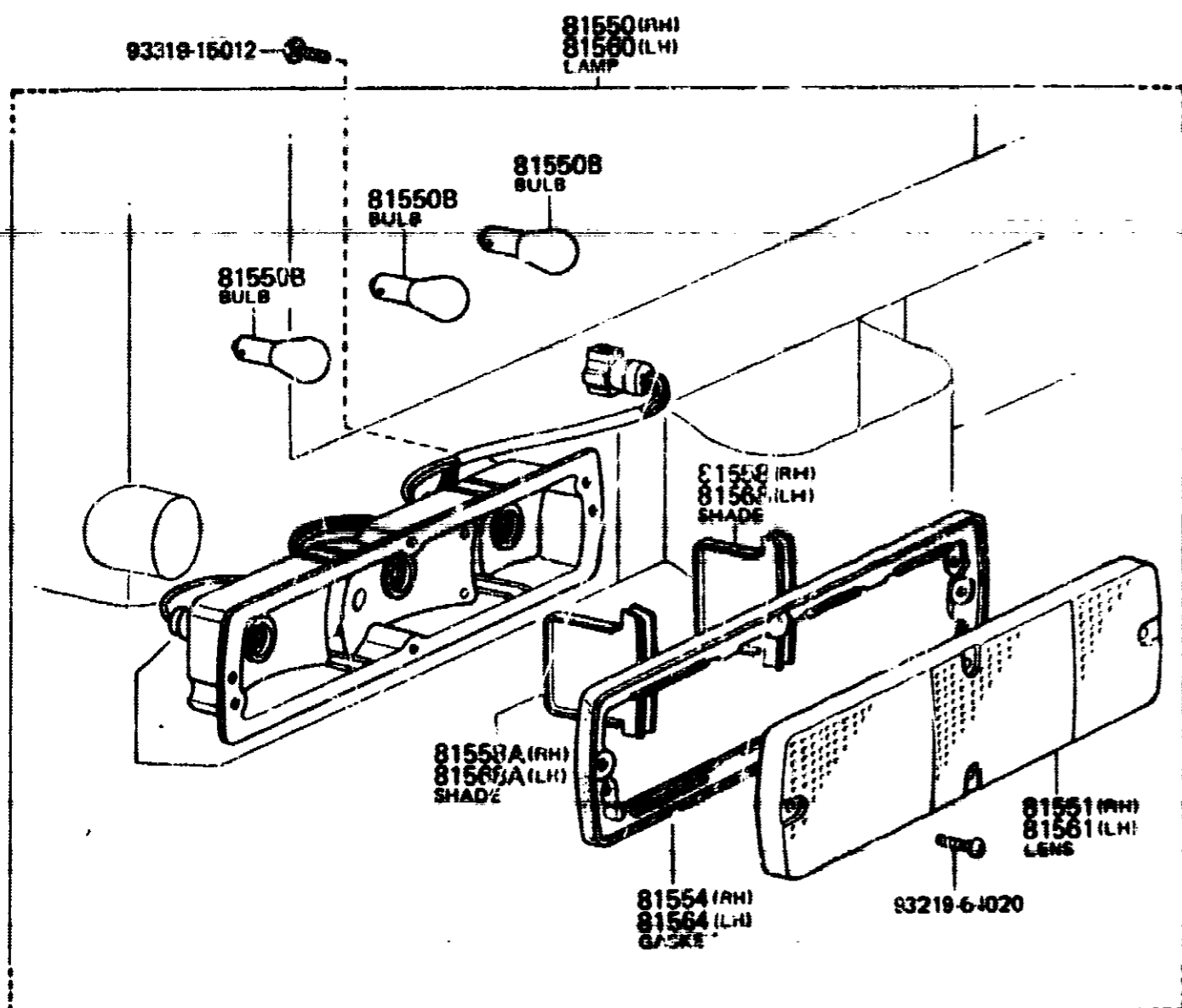
PROD. DATE	MODELS	DESCRIPTION	PART NUMBER	QTY	REV. REF. CODE	
					FROM	UP TO
FIG.	75-54	TOOL BOX & LICENSE PLATE BRACKET				
8008-8110	FJ40	HANDLE, STARTING OR SPARE WHEEL CARRIER L=850	51409-66010-	1	1	6
8008-8110	BJ42, FJ40	BRACKET SUB-ASSY, JACK HANDLE	58305-90301-	2	1	6
8110-8410	BJ42, FJ40		58706-90300-	2	7	80
8008-8410	BJ42, FJ40	BRACKET SUB-ASSY, REAR LICENSE PLATE	75102-90303-	1	1	80
8008-8410	BJ42, FJ40	BRACKET, FRONT LICENSE PLATE	75101-60011-	1	1	80
8008-8410	BJ42, FJ40	BRACKET, COMBINATION REAR LAMP, RH	75136-60040-	1	1	80
8008-8410	BJ42, FJ40	BRACKET, COMBINATION REAR LAMP, LH	75138-60020-	1	1	80
8008-8410	BJ42, FJ40	REST SUB-ASSY, JACK	75202-90300-	1	1	80
8008-8410	BJ42, FJ40	BRACKET, TOOL BAG BAND	75216-90301-	1	1	80
8008-8410	BJ42, FJ40	BAND, TOOL BAG	75217-90300-	1	1	80

FIG.81-11 REAR COMBINATION LAMP

3-M6

GENUINE TOYOTA PARTS

(8008-- )



No	①	②	③
12V	Turn 12V 23W	Stop-Tail & Parking 12V 23/8W	Back 12V 23W
24V	Turn 24V 21W	Stop-Tail & Parking 24V 21/5W	Back 24V 21W

ME 8114

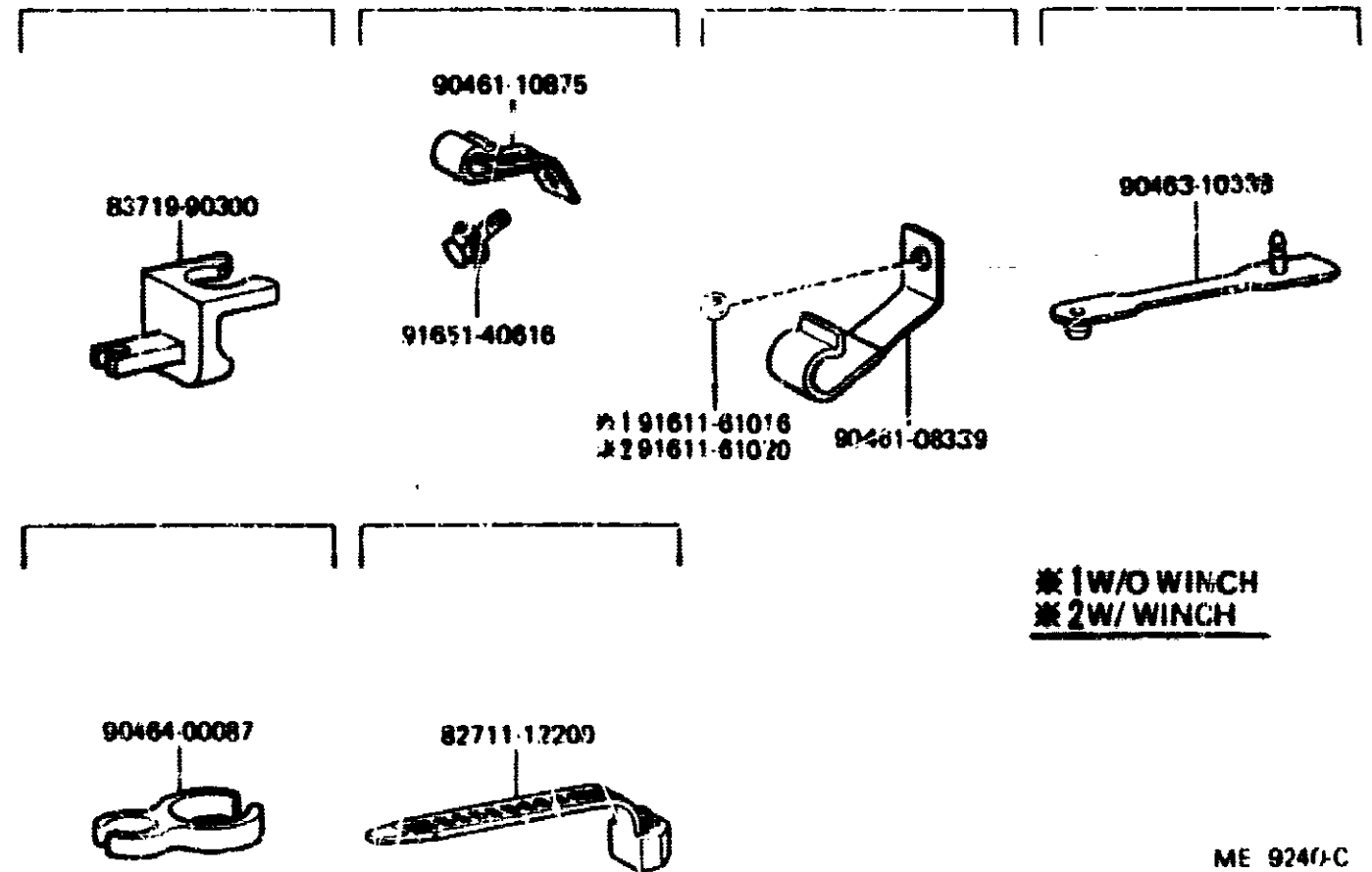
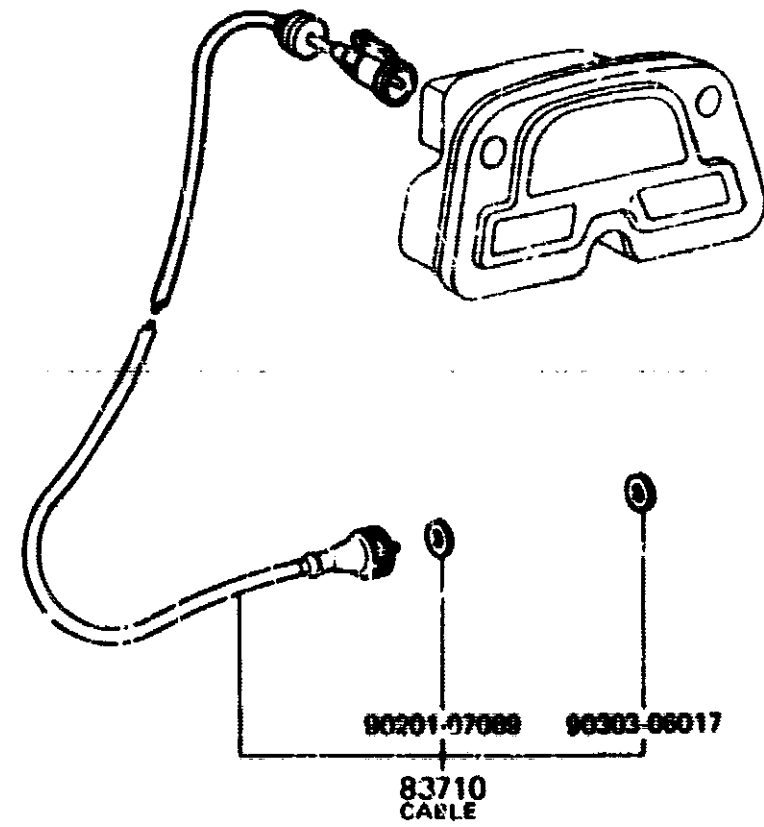
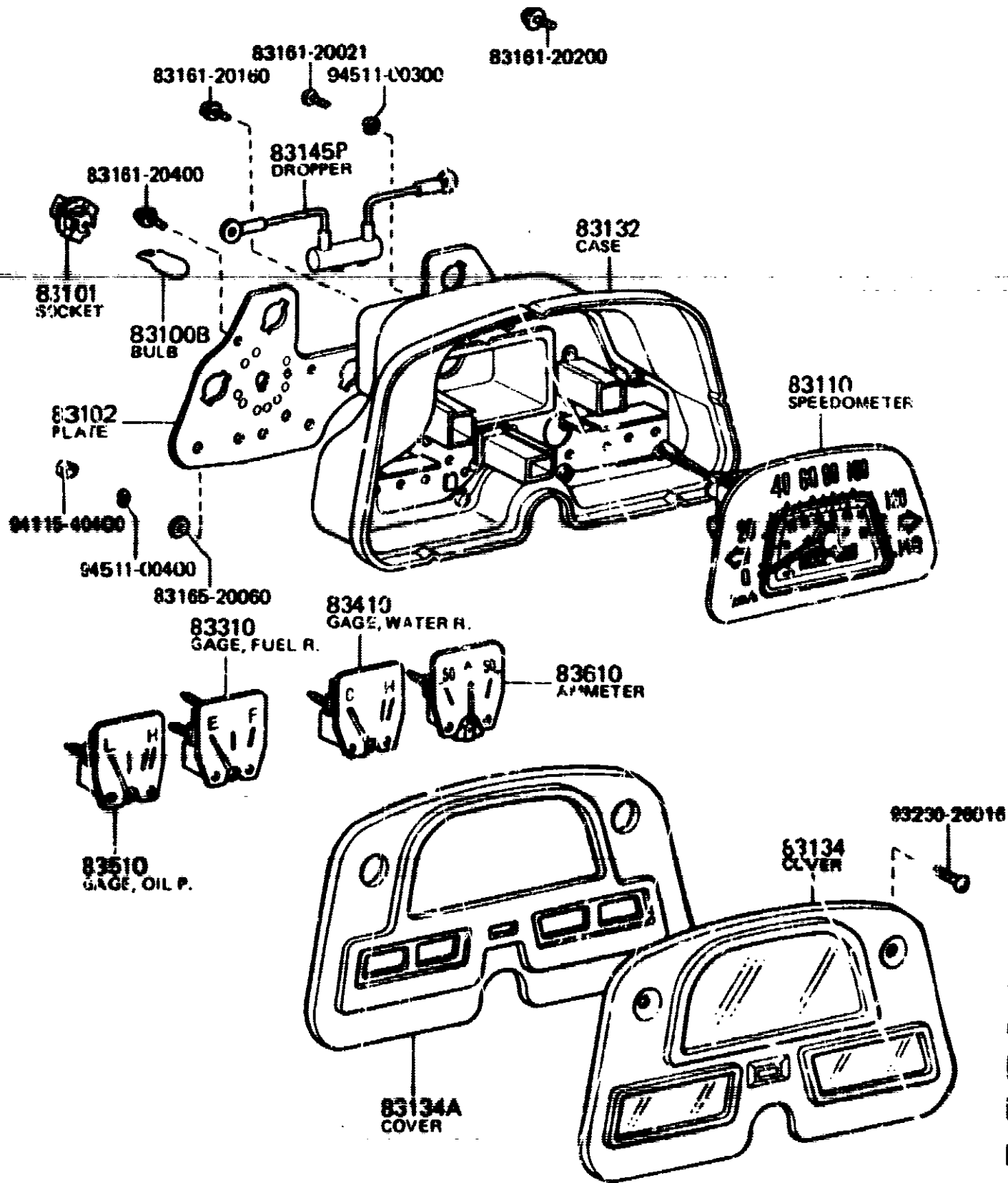
PROD. DATE	MODELS	DESCRIPTION	PART NUMBER	QTY	REV. REF. CODE	
					FROM	UP TO
FIG.	81-11	REAR COMBINATION LAMP				
	1 81550	LAMP ASSY, REAR COMBINATION, RH				
2008-8410	BJ42	AMBER-RED-CLEAR	81550-60311-	1	1	80
8008-8309	FJ40	AMBER-RED-CLEAR	81550-60192-	1	1	
	1 81550B	BULB (FOR REAR COMBINATION LAMP)				
8008-8410	BJ42	24V 21W	90981-16014-	4	1	80
8008-8410	BJ42	24V 21/5W	90981-16015-	2	1	80
8008-8309	FJ40	12V 23W	99132-11230-	4	1	
8008-8309	FJ40	12V 23/8W	99132-21230-	2	1	
	1 81551	LENS, REAR COMBINATION LAMP, RH				
8008-8410	BJ42, FJ40		81551-60180-	1	1	80
	1 81554	GASKET, REAR COMBINATION LAMP BODY, RH				
8008-8410	BJ42, FJ40		81552-26040-	1	1	80
	1 81558	SHADE, REAR COMBINATION LAMP, NO.1 RH				
9008-8410	BJ42, FJ40		81557-26040-	1	1	80
	1 81558A	SHADE, REAR COMBINATION LAMP, NO.2 RH				
8008-8410	BJ42, FJ40		81557-26040-	1	1	80
	1 81560	LAMP ASSY, REAR COMBINATION, LH				
8008-8410	BJ42	AMBER-RED-CLEAR	81560-60231-	1	1	80
8008-8309	FJ40	AMBER-RED-CLEAR	81560-60112-	1	1	
	1 81561	LENS, REAR COMBINATION LAMP, LH				
8008-8410	BJ42, FJ40		81561-60080-	1	1	80
	1 81564	GASKET, REAR COMBINATION LAMP BODY, LH				
8008-8410	BJ42, FJ40		81562-26040-	1	1	80
	1 81568	SHADE, REAR COMBINATION LAMP, NO.1 LH				
8008-8410	BJ42, FJ40		81557-26040-	1	1	80

(8008- )

(8008- )

ILLUST. NO. 10F2

ILLUST. NO. 20F2



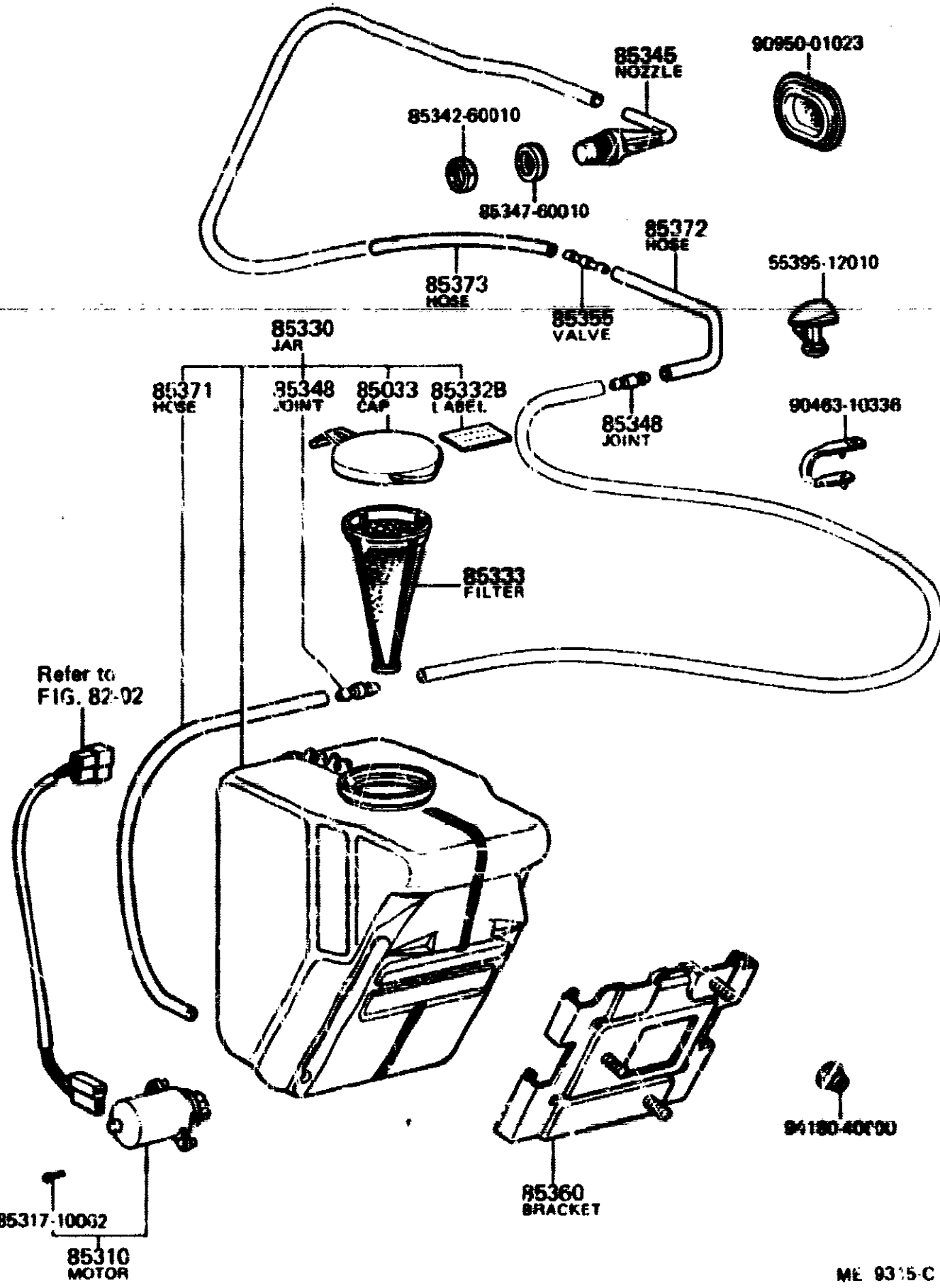
\* 1W/O WINCH  
\* 2W/ WINCH

M. 9239 R

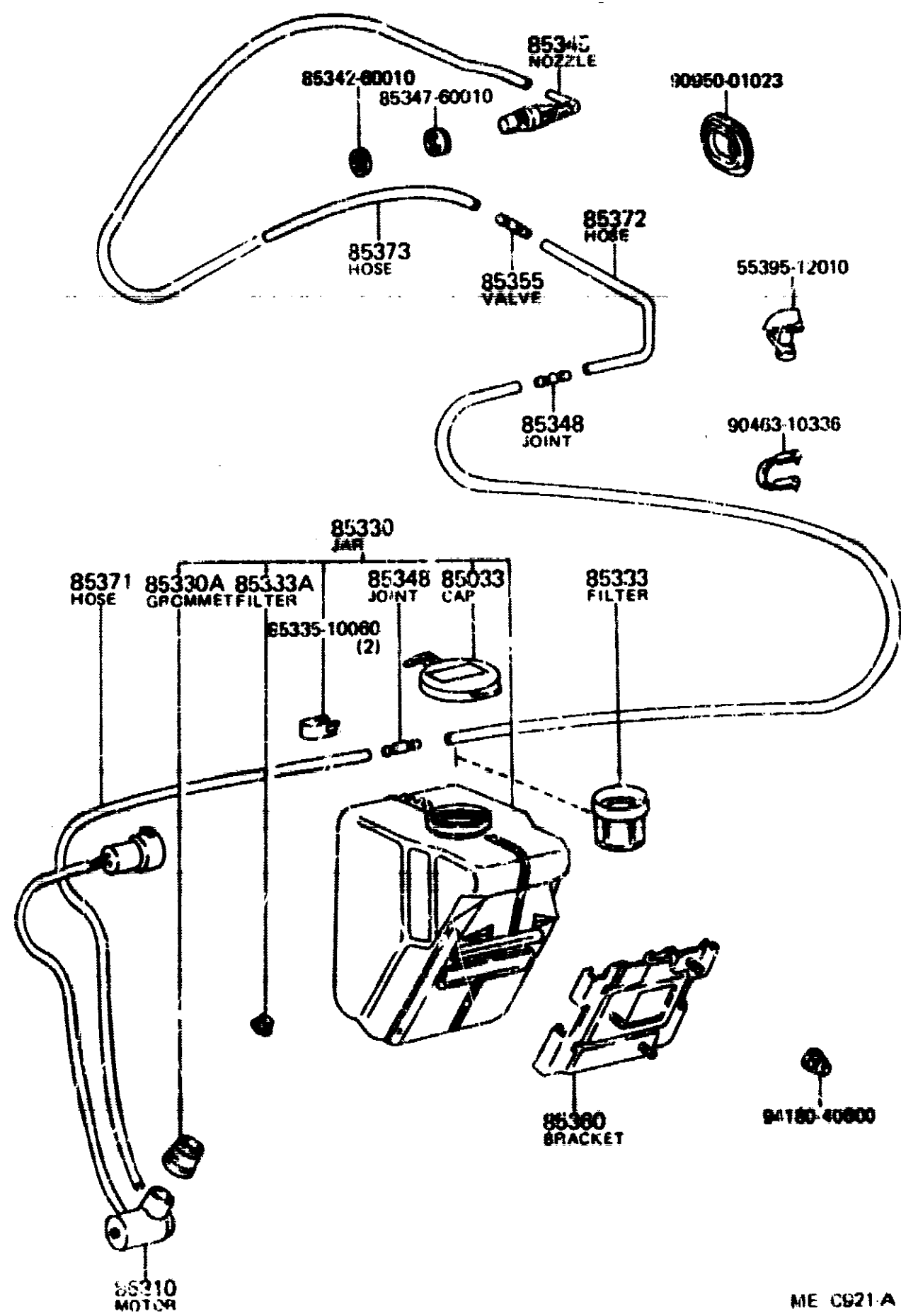
ME 9240-C

(8008-8110)BJ42

(8110- )BJ42



ME 9315-C



ME C921-A

PROD. DATE	MODELS	DESCRIPTION	R/P	PART NUMBER	QTY	REV. REF. CODE		PROD. DATE	MODELS	DESCRIPTION	R/P	PART NUMBER	QTY	REV. REF. CODE		
						FROM	UP TO							FROM	UP TO	
		↑ 88601F   BRACKET, COOLER CONTROL SWITCH														
8210-8309	FJ40	NO.1		88688-60150-	1		19									
8210-8309	FJ40	NO.2		88688-60160-	1		19									
8008-8210	FJ40..V..USA			88658-60020-	1		18									
		↑ 88605   HARNESS SUB-ASSY, COOLER WIRING, NO.1														
8210-8309	FJ40			88605-60270-	1		19									
8008-8210	FJ40..V..USA			88605-60300-	1		18									
		↑ 88625   THERMISTOR, COOLER, NO.1														
8008-8309	FJ40..V..USA			88625-60020-	1		1									
		↑ 88630   RELAY ASSY, COOLER														
8008-8309	FJ40..V..USA			88630-60020-	1		1									
		↑ 88635   RESISTOR, COOLER UNIT BLOWER														
8008-8309	FJ40..V..USA			88635-30370-	1		1									



PANEL - PINION

M12

PINION - PLATE

PART	NAME	LOCATION
PANEL, REAR BODY FRONT SIDE, RH		3-C3
PANEL, REAR FLOOR, REAR		3-K2
PARTS SET, RADIO SETTING		3-C9
PEDAL SUB-ASSY, BRAKE		2-L6
PEDAL SUB-ASSY, CLUTCH		2-D1
PEDAL, ACCELERATOR		3-16
PIECE, BALANCE (FOR FRONT BODY LIFT)		2-F3
PIECE, BALANCE (FOR REAR BODY DOWN)		2-14
PIECE, DISTANCE (FOR NOZZLE)		1-E7
PIECE, DISTRIBUTOR CAP CENTER		1-L9
PIECE, GEAR SPLINE, NO.5		2-B2
PILLAR SUB-ASSY, FRONT BODY LOWER OUTER, LH		3-C3
PILLAR SUB-ASSY, FRONT BODY LOWER OUTER, RH		3-C3
PIN		1-K8
PIN (FOR CONL SIDE VENTILATOR COVER)		3-F2
PIN (FOR HOOD SUPPORT ROD)		3-M1
PIN (FOR PUSH ROD)		2-L6
PIN (FOR STEERING INTERMEDIATE SHAFT)		2-J5
PIN (FOR TRANSMISSION CASE COVER)		2-F2
PIN (FOR 5TH GEAR THRUST WASHER)		2-C2
PIN ASSY, REVERSE RESTRICT		2-H2
PIN KIT, FRONT SPRING		2-D8
PIN KIT, REAR SPRING		2-G8
PIN OR BALL (FOR 1ST GEAR THRUST WASHER)		2-C2
PIN, BRAKE SHAFT LOCK		2-L3
PIN, CLUTCH SHIFT LEVER		2-M3
PIN, CLUTCH SHIFT LEVER LOCK		2-M3
PIN, CYLINDER BLOCK		3-J10
PIN, DIFFERENTIAL PINION SHAFT		2-F4
PIN, FEED PUMP TAPPET ROLLER		1-B8
PIN, FLOAT LEVER		1-D7
PIN, FRONT AXLE DIFFERENTIAL PINION SHAFT		2-A5
PIN, FRONT DOOR OPEN STOPPER		3-E4
PIN, FRONT SHOCK ABSORBER UPPER PIVOT		7-E6
PIN, NOZZLE HOLDER PRESSURE		1-E7
PIN, REAR SHOCK ABSORBER PIVOT		2-H8
PIN, RING (FOR CRANKSHAFT BEARING CAP SET)		1-J1
PIN, SHIFTING		1-M7
PIN, SHOE HOLD DOWN SPRING (FOR REAR BRAKE)		2-G7
PIN, SLOTTED SPRING (FOR REVERSE RESTRICT PIN)		2-H2
PIN, SLOTTED SPRING (FOR SHIFT FORK SET)		2-F2
PIN, SLOTTED SPRING (FOR SHIFT FORK)		2-D3
PIN, SPARE WHEEL CARRIER HINGE		3-D1
PIN, STARTER DRIVE LEVER SET		1-F4
PIN, STRAIGHT (FOR CLUTCH HOUSING SET)		1-K1
PIN, STRAIGHT (FOR CRANKSHAFT)		1-H2
PIN, STRAIGHT (FOR CYLINDER HEAD SET)		1-K1
PIN, STRAIGHT (FOR ENGINE REAR OIL SEAL)		1-K1
PIN, STRAIGHT (FOR FLYWHEEL)		1-H2
PIN, STRAIGHT (FOR MANUAL TRANSMISSION CASE)		2-K1
PIN, STRAIGHT (FOR OUTER SHAFT FLANGE)		2-D5
PIN, STRAIGHT (FOR REAR AXLE HUB)		2-14
PIN, STRAIGHT (FOR TIMING GEAR CASE)		1-M1
PIN, STRAIGHT (FOR TIMING GEAR COVER SET)		1-K1
PIN, STRAIGHT (FOR TRANSFER ADAPTER)		2-K1
PIN, STRAIGHT (FOR TRANSFER CASE)		2-M2
PIN, VACUUM PUMP DOWEL, NO.1		1-J6
PIN, VENTILATING WINDOW LOCK HANDLE		3-A4
PIN, W/HOLE (FOR CLUTCH MASTER CYLINDER PUSH ROD)		2-D1
PIN, W/HOLE (FOR DISC BRAKE ANTIRATTLE)		2-E7
PIN, W/HOLE (FOR PARKING BRAKE CABLE)		2-J6
PIN, W/HOLE (FOR REAR BRAKE)		2-H7
PINION, FRONT AXLE DIFFERENTIAL		2-B5
PINION, PLUNGER CONTROL		1-17

PART	NAME	LOCATION
PINION, REAR DIFFERENTIAL		2-E4
PIPE ASSY, EXHAUST, CENTER		1-H4
PIPE ASSY, EXHAUST, FRONT		1-H4
PIPE ASSY, NOZZLE LEAKAGE		1-F7
PIPE ASSY, NOZZLE LEAKAGE, NO.2		1-F7
PIPE ASSY, TAIL		1-14
PIPE OR HOSE SUB-ASSY, CARBURETOR FUEL, NO.1		1-K6
PIPE SUB-ASSY, AIR, NO.1		1-F5
PIPE SUB-ASSY, EGR, NO.1		1-H8
PIPE SUB-ASSY, EGR, NO.2		1-H8
PIPE SUB-ASSY, FUEL TANK INLET		3-E6
PIPE SUB-ASSY, INJECTION, NO.1		1-G7
PIPE SUB-ASSY, INJECTION, NO.2		1-G7
PIPE SUB-ASSY, INJECTION, NO.3		1-G7
PIPE SUB-ASSY, INJECTION, NO.4		1-G7
PIPE SUB-ASSY, OIL PUMP OUTLET		1-B3
PIPE SUB-ASSY, OIL, INJECTION PUMP OUTLET		1-C3
PIPE, COOLER REFRIGERANT LIQUID, A (FROM CONDENSER)		3-G10
PIPE, COOLER REFRIGERANT LIQUID, B		3-G10
PIPE, COOLER REFRIGERANT LIQUID, E (TO COOLER UNIT)		3-G10
PIPE, COOLER REFRIGERANT SUCTION, A (FROM COOLER UNIT)		3-G10
PIPE, HEATER WATER INLET, A		3-C10
PIPE, HEATER WATER INLET, B		3-C10
PIPE, HEATER WATER OUTLET, A		3-C10
PIPE, HEATER WATER OUTLET, B		3-C10
PIPE, OIL COOLER		1-G3
PIPE, OIL PUMP OUTLET		1-B3
PIPE, OIL RECEIVER		2-M2
PIPE, RADIATOR		1-B4
PIPE, VINYL TOP GUARD, NO.1		3-K3
PIPE, VINYL TOP GUARD, NO.2		3-K3
PIPE, VINYL TOP GUARD, NO.3		3-K3
PIPE, VINYL TOP SIDE		3-K3
PISTON SUB-ASSY, COOLER COMPRESSOR		3-J10
PISTON SUB-ASSY, W/PIN		1-G2
PISTON, FEED PUMP		1-A8
PISTON, FRONT DISC BRAKE		2-E7
PISTON, POWER		1-B7
PIVOT, SHIFT ARM		2-F2
PLATE (FOR STARTER YOKE)		1-F6
PLATE ASSY, FRONT DOOR LOCK STRIKER		3-C4
PLATE SET, VALVE HOLDER LOCK		1-H7
PLATE SUB-ASSY, BATTERY SET		3-H5
PLATE SUB-ASSY, BRAKE BACKING, REAR LH		2-G7
PLATE SUB-ASSY, BRAKE BACKING, REAR RH		2-G7
PLATE SUB-ASSY, COMBINATION METER CIRCUIT, NO.1		3-A8
PLATE SUB-ASSY, HORN BUTTON CONTACT		2-F6
PLATE SUB-ASSY, VALVE		3-J10
PLATE, AIR CLEANER CAUTION (FOR ENGINE MODEL)		1-H5
PLATE, BATTERY CAUTION		3-G7
PLATE, BEARING RETAINER, ALTERNATOR		1-B6
PLATE, BOOSTER RETAINER		2-C7
PLATE, CAMSHAFT SHIM		1-17
PLATE, CAMSHAFT THRUST		1-K2
PLATE, CAUTION, NO.1		2-L3
PLATE, CAUTION, NO.2		2-L3
PLATE, CAUTION, NO.3		2-L3
PLATE, CERTIFICATION REGULATION		3-15
PLATE, CLUTCH PRESSURE		2-B1
PLATE, CONTROL LEVER CAUTION		3-15
PLATE, CRANKSHAFT PULLEY, NO.2		1-H2
PLATE, CURRENT SENSOR		3-E8
PLATE, DISTANCE (FOR FRONT)		2-E8
PLATE, DISTANCE (FOR REAR)		2-H8

**FIGURE NUMBER INDEX**

LOCATION	FIG.No.	SUMMARY	LOCATION	FIG.No.	SUMMARY	LOCATION	FIG.No.	SUMMARY
		<b>BODY GROUP</b>						<b>ELECTRICAL GROUP</b>
3-A1	51-51	FRAME	3-B5	71-51	SEAT & SEAT TRACK	3-K6	81-01	HEADLAMP
3-C1	51-52	SUSPENSION CROSSMEMBER & UNDER COVER	3-E5	71-52	SEAT BELT	3-L6	81-03	FRONT TURN SIGNAL LAMP
3-D1	51-53	SPARE WHEEL CARRIER	3-F5	74-51	ARMREST & VISOR	3-M6	81-11	REAR COMBINATION LAMP
3-F1	52-51	CAB MOUNTING & BODY MOUNTING	3-G5	74-53	PROTECTOR PIPE, ROLL BAR & HANDRAIL	3-B7	81-13	REAR LICENSE PLATE LAMP
3-H1	52-52	FRONT BUMPER & BUMPER STAY	3-H5	74-54	BATTERY CARRIER	3-C7	81-14	REAR SIDE MARKER LAMP
3-I1	52-53	REAR BUMPER & BUMPER STAY	3-I5	74-55	CAUTION PLATE	3-D7	81-15	REFLEX REFLECTOR
3-J1	53-51	RADIATOR GRILLE	3-J5	74-56	ASH RECEPTACLE	3-E7	81-21	INTERIOR LAMP
3-K1	53-53	HOOD & FRONT FENDER	3-K5	75-51	EMBLEM & NAME PLATE	3-F7	82-01	BATTERY & BATTERY CABLE
3-M1	53-54	HOOD LOCK & HINGE	3-M5	75-54	TOOL BOX & LICENSE PLATE BRACKET	3-H7	82-02	WIRING & CLAMP
3-A2	53-55	FRONT FENDER APRON & DASH PANEL	3-A6	77-51	FUEL TANK & TUBE	3-M7	83-01	METER
3-C2	55-51	INSTRUMENT PANEL & GLOVE COMPARTMENT	3-H6	78-51	ACCELERATOR LINK	3-B8	83-02	INDICATOR
3-F2	55-52	FRONT VENTILATOR				3-D8	84-01	SWITCH & RELAY
3-G2	55-53	COWL PANEL & WINDSHIELD GLASS				3-I8	84-06	ELECTRONIC DIESEL INJECTION CONTROL SYSTEM
3-I2	58-51	FRONT FLOOR PANEL & FRONT FLOOR MEMBER				3-J8	85-01	WINDSHIELD WIPER
3-K2	58-52	REAR FLOOR PANEL & REAR FLOOR MEMBER				3-L8	85-03	WINDSHIELD WASHER
3-L2	58-53	FLOOR INSULATOR				3-B9	86-01	RADIO & TAPE PLAYER
3-M2	58-54	FLOOR MAT & SILENCER PAD				3-D9	86-02	SPEAKER
3-A3	58-55	CONSOLE BOX & BRACKET				3-E9	86-04	ANTENNA
3-H3	61-51	SIDE MEMBER				3-F9	86-11	HORN
3-E4	61-52	SIDE WINDOW				3-G9	87-01	MIRROR
3-C3	61-53	ROOF PANEL & BACK PANEL				3-H9	87-11	HEATING & AIR CONDITIONING - SET
3-H3	61-55	REAR VENTILATOR & ROOF VENTILATOR				3-J9	87-12	HEATING & AIR CONDITIONING - HEATER UNIT & BLOWER
3-I3	64-52	ROOF HEADLINING & SILENCER PAD				3-L9	87-14	HEATING & AIR CONDITIONING - COOLER UNIT
3-J3	65-55	REAR BODY TOP CURTAIN & ROOF PANEL				3-A10	87-15	HEATING & AIR CONDITIONING - CONTROL & AIR DUCT
3-L3	67-51	FRONT DOOR PANEL & GLASS				3-B10	87-16	HEATING & AIR CONDITIONING - WATER PIPING
3-A4	67-52	FRONT DOOR VENTILATOR WINDOW				3-E10	87-17	HEATING & AIR CONDITIONING - VACUUM PIPING
3-C4	67-53	FRONT DOOR LOCK & HANDLE				3-F10	87-18	HEATING & AIR CONDITIONING - COOLER PIPING
3-F4	67-54	FRONT DOOR WINDOW REGULATOR & HINGE				3-H10	87-19	HEATING & AIR CONDITIONING - COMPRESSOR
3-G4	67-61	BACK DOOR PANEL & GLASS						
3-I4	67-62	BACK DOOR LOCK & HINGE						
3-L4	67-65	LOCK CYLINDER SET						