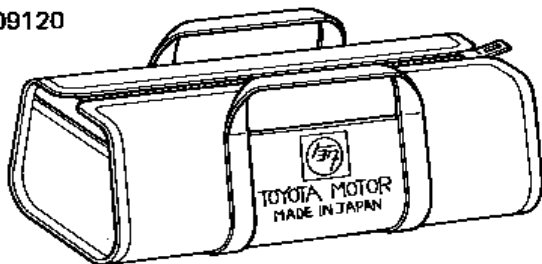


※2(8308-) Excluded out of P.N.C 09101

09101

09120

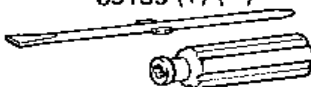


※1 W/ FREE WHEEL HUB

09130



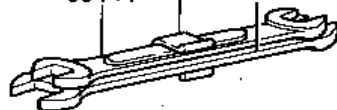
09135 (+) (-)



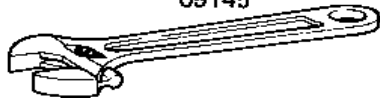
09140

09141

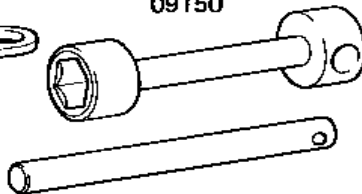
09141



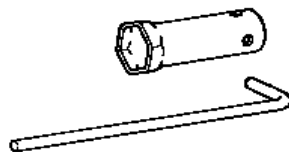
09145



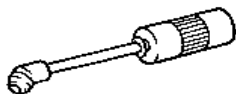
09150



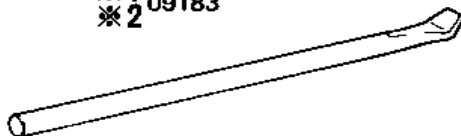
09155



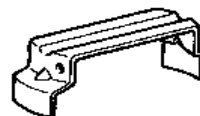
※2 09173



※1 09183
※2

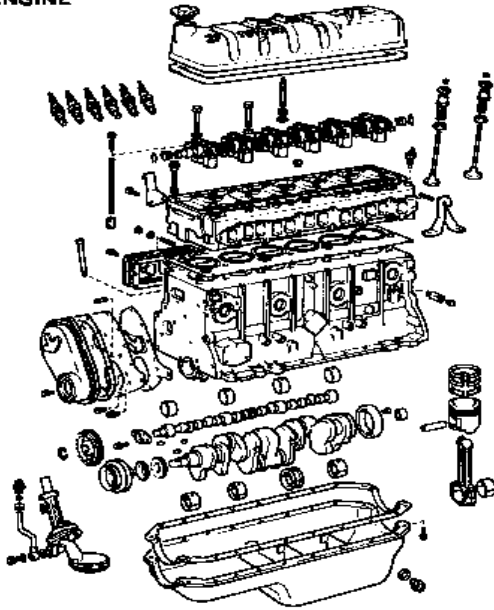


※1 09183A
※2



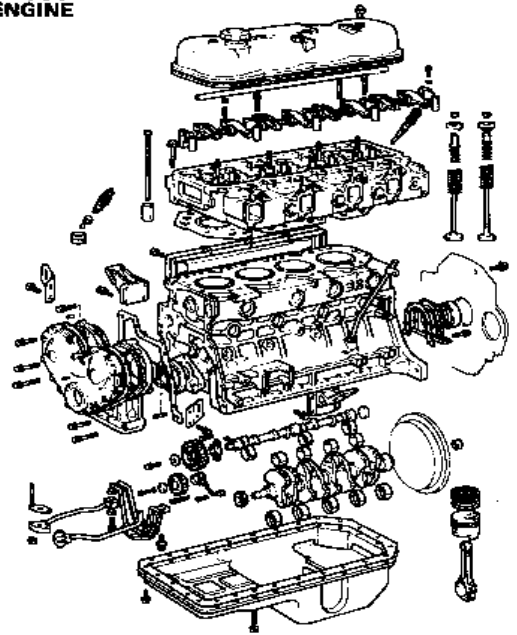
2F

11000
ENGINE



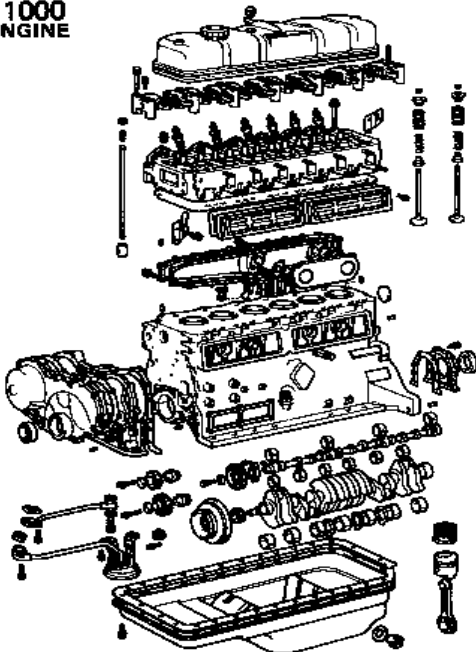
B, 3B

11000
ENGINE



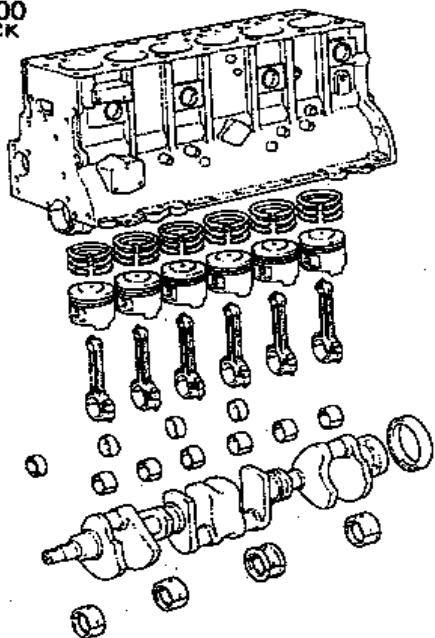
2H

11000
ENGINE



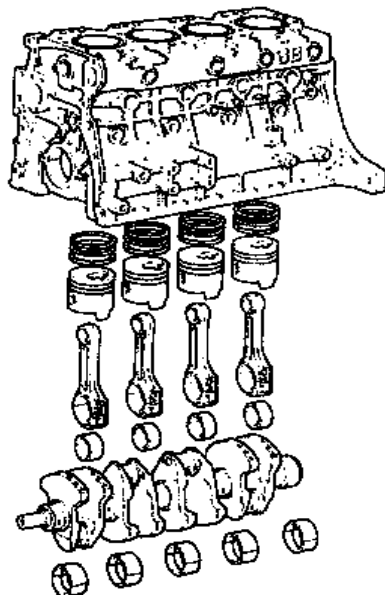
2F

11400
BLOCK



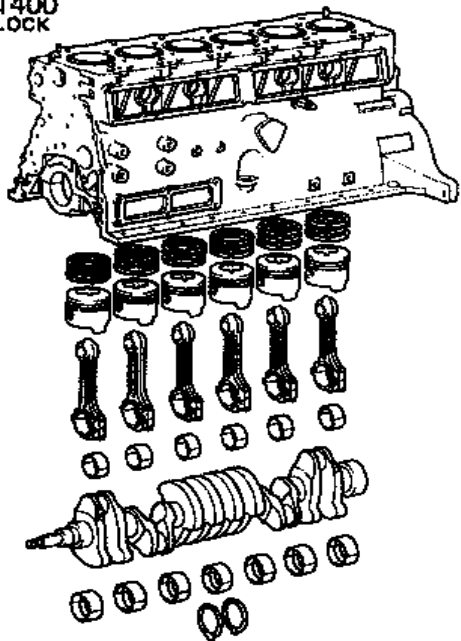
B, 3B

11400
BLOCK



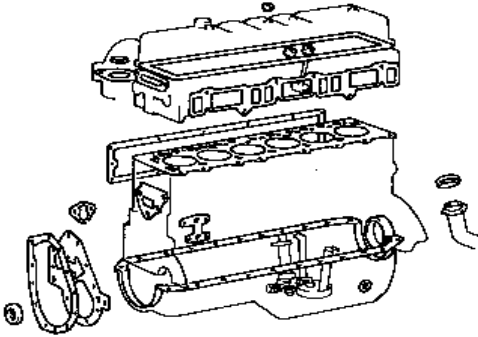
2H

11400
BLOCK



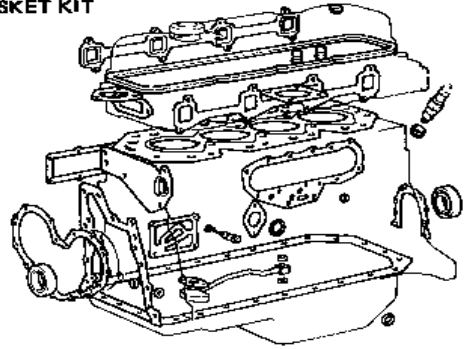
2F

11000K
GASKET KIT

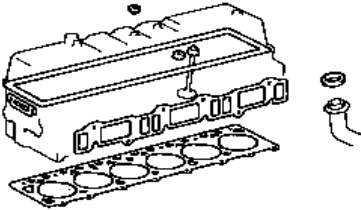


B, 3B

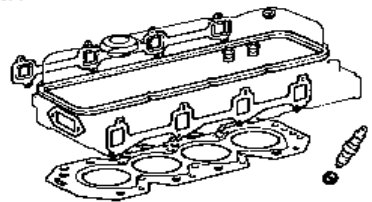
11000K
GASKET KIT



11101K
GASKET KIT

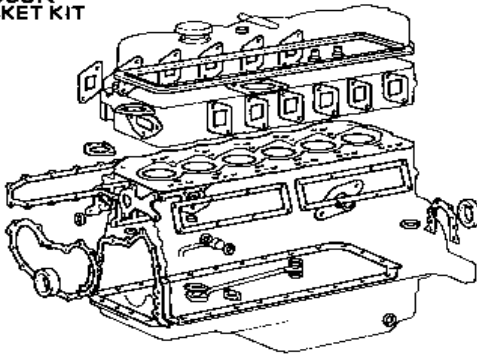


11101K
GASKET KIT

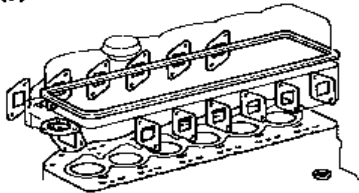


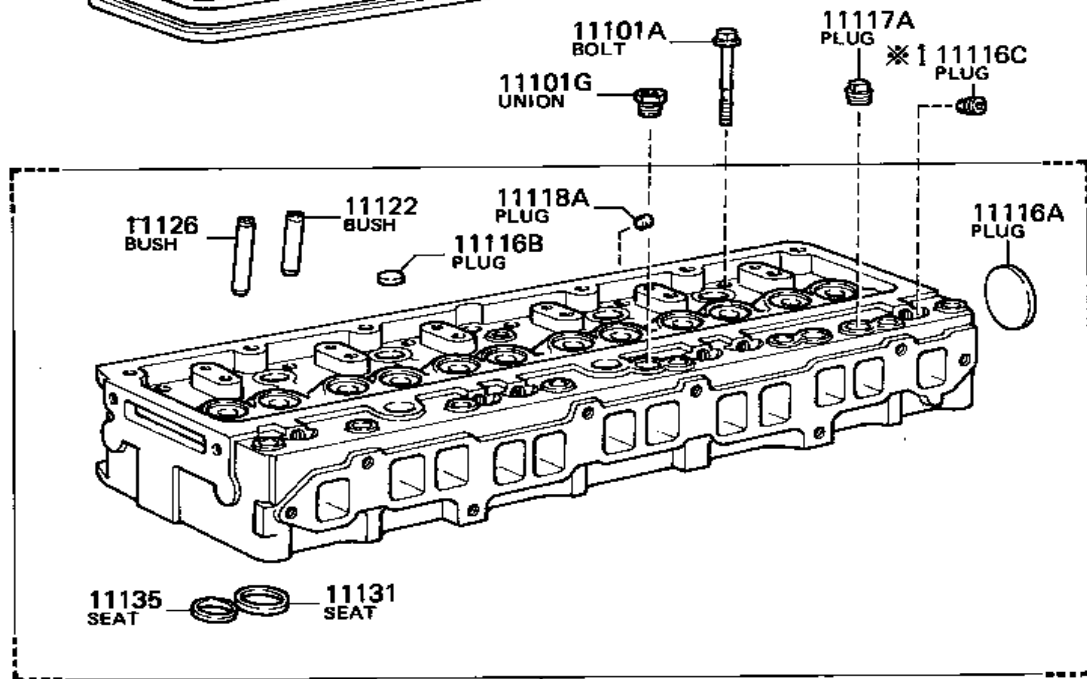
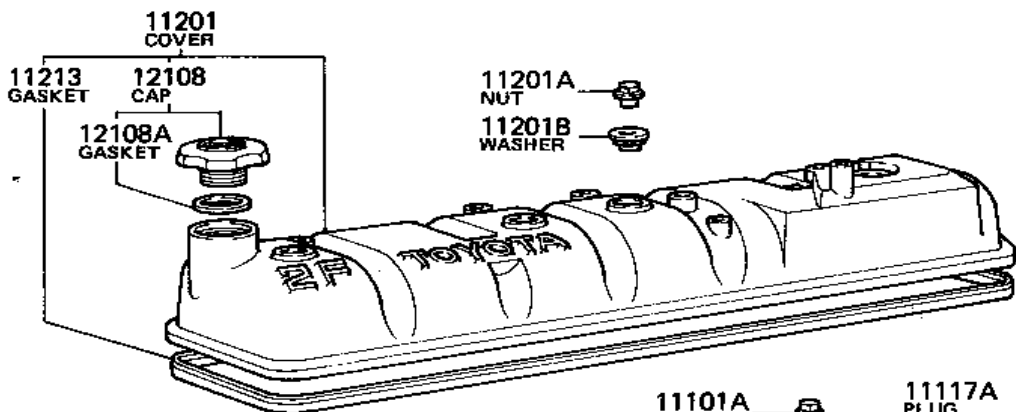
2H

11000K
GASKET KIT

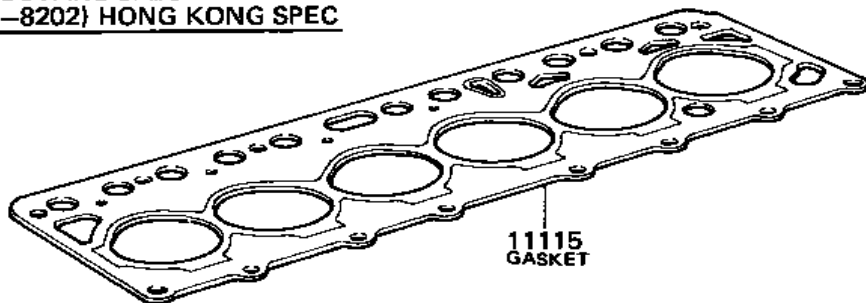


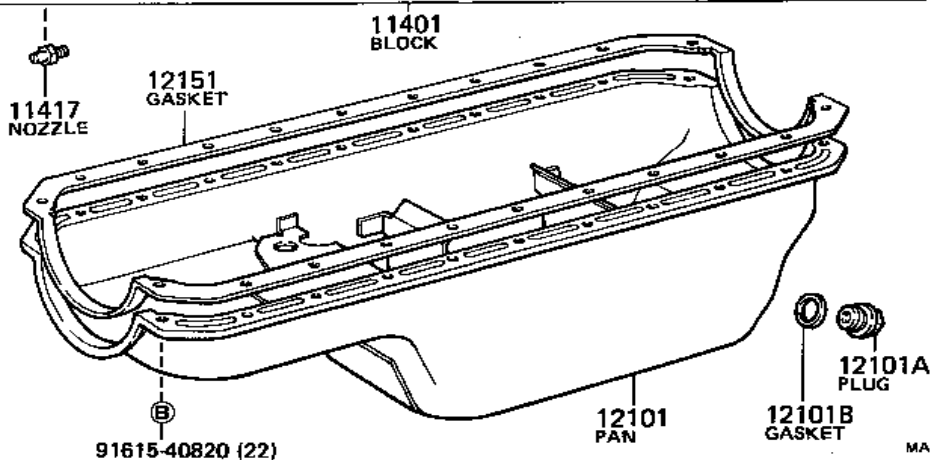
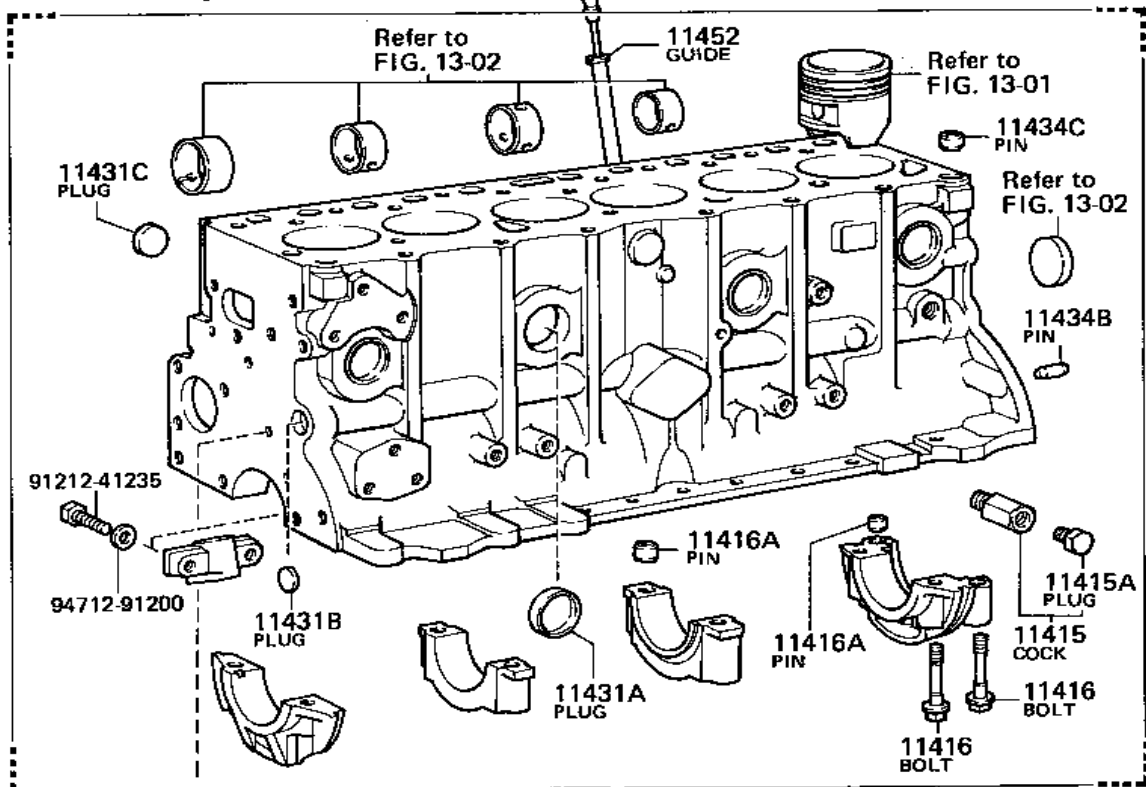
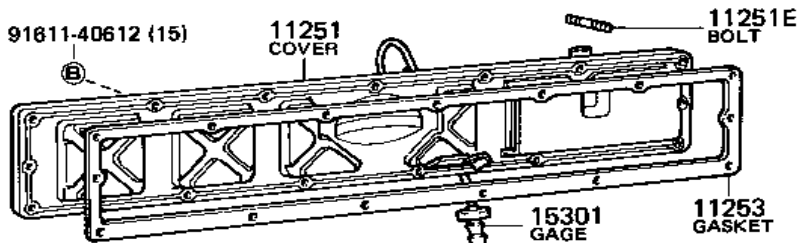
11101K
GASKET KIT

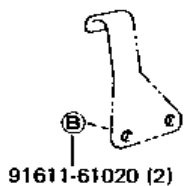




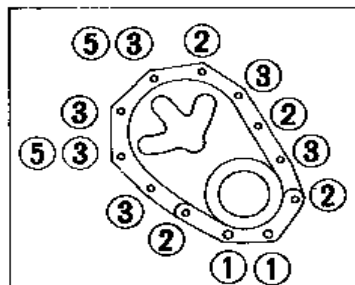
*1 EUR
LOW-OCTANE SPEC
(-8202) HONG KONG SPEC



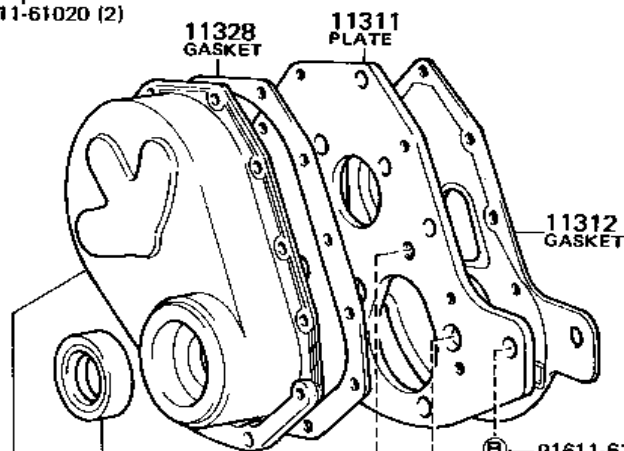




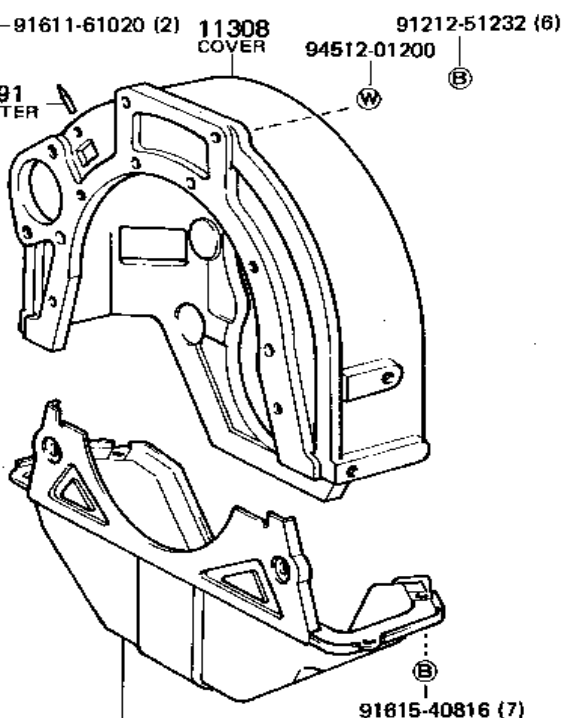
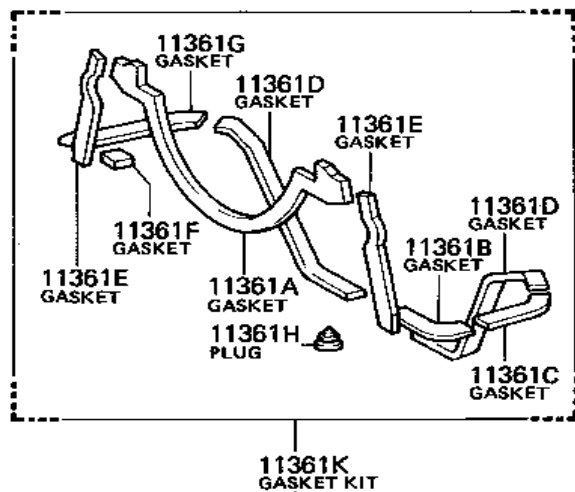
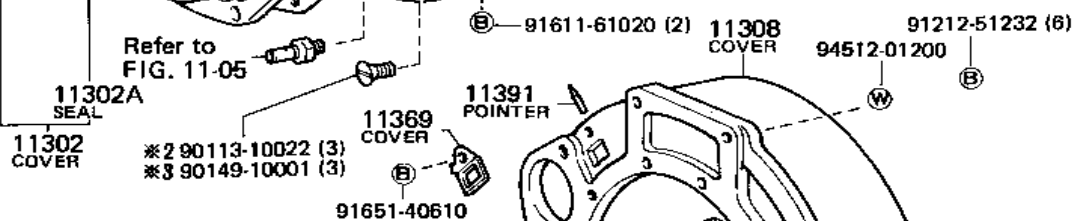
*2 (-8410)
 *3 (8410-)



①		90119-10041 (2)
②	Ⓢ	93381-26014 (4)
③	Ⓢ	93381-16008 (6)
*1	Ⓢ	93381-16016 (2)
⑤		90179-06158 (2)

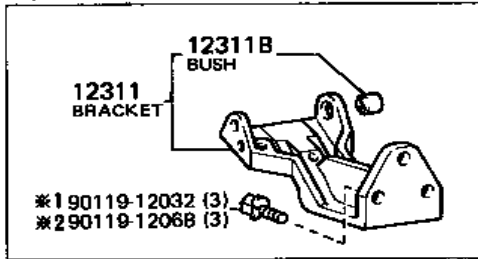


*1 W/OIL COOLER

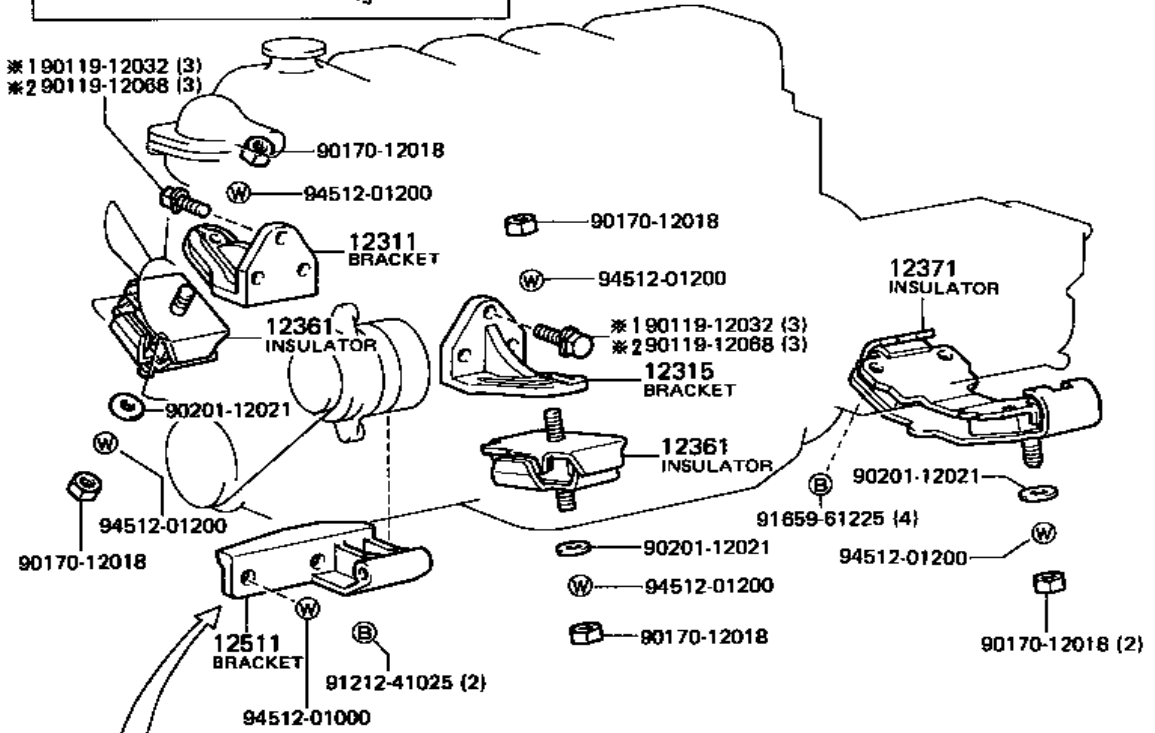


11361
 COVER

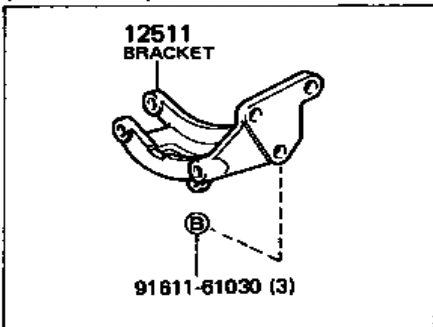
W/COOLER



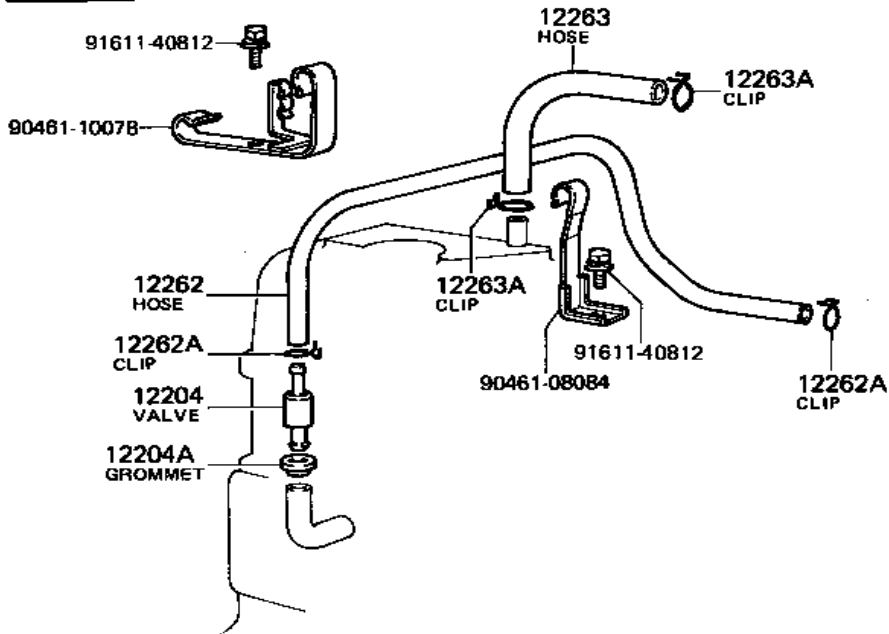
*1 (-8312)
*2 (8312-)



(-8309) NSW
(8401-8410) VICTORIA SPEC

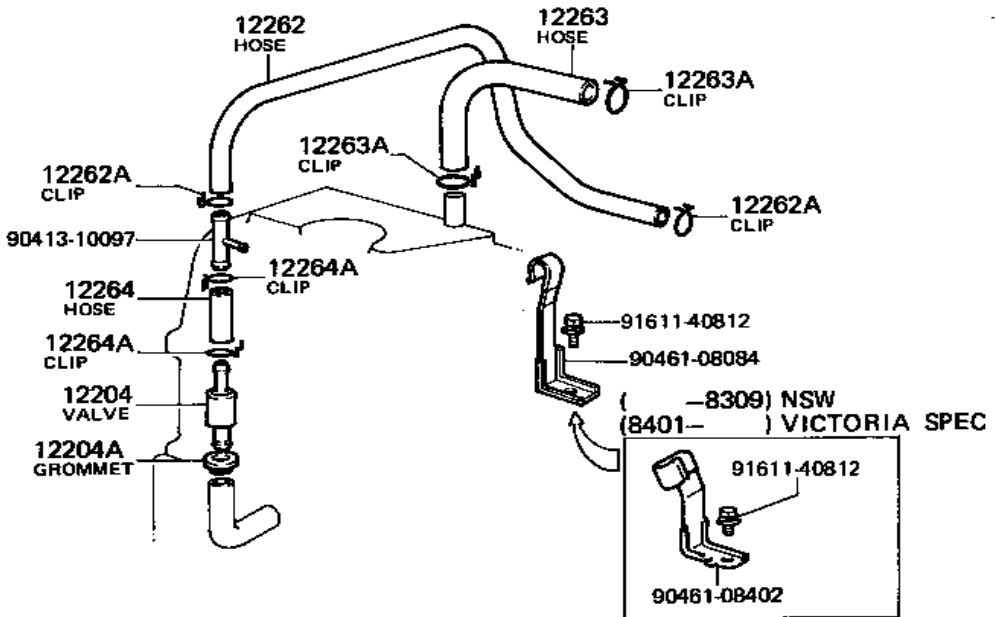


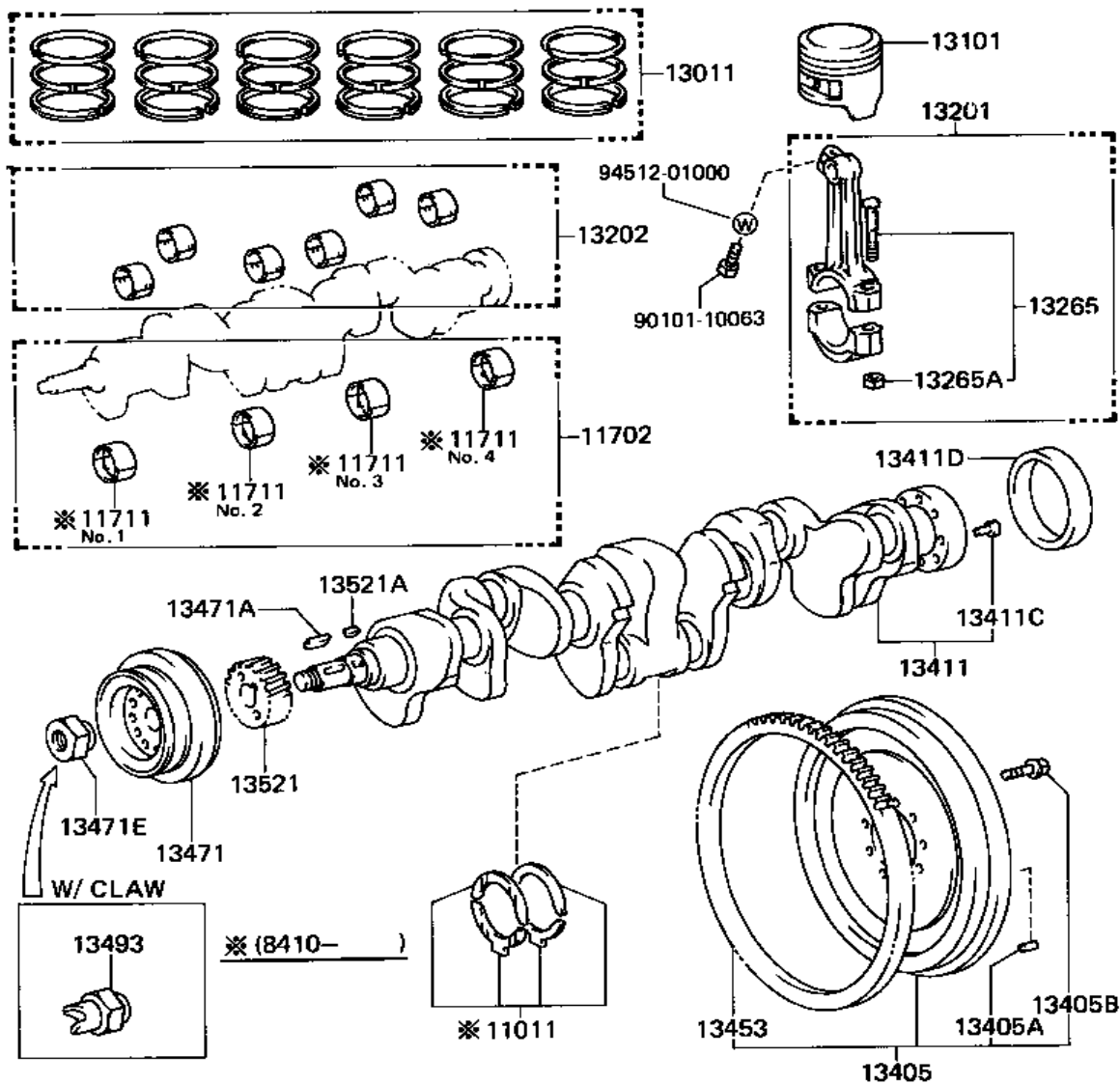
GEN, ARL



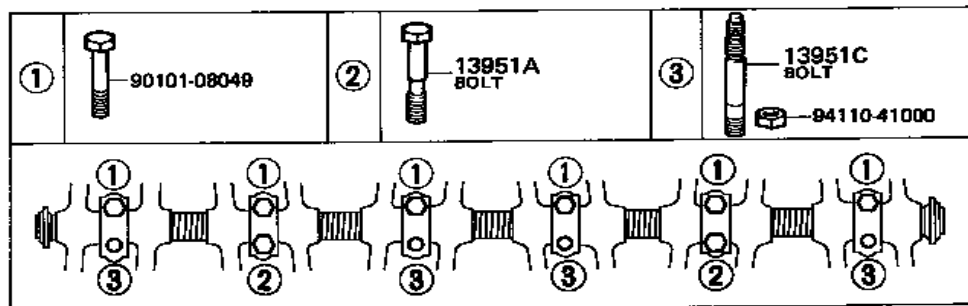
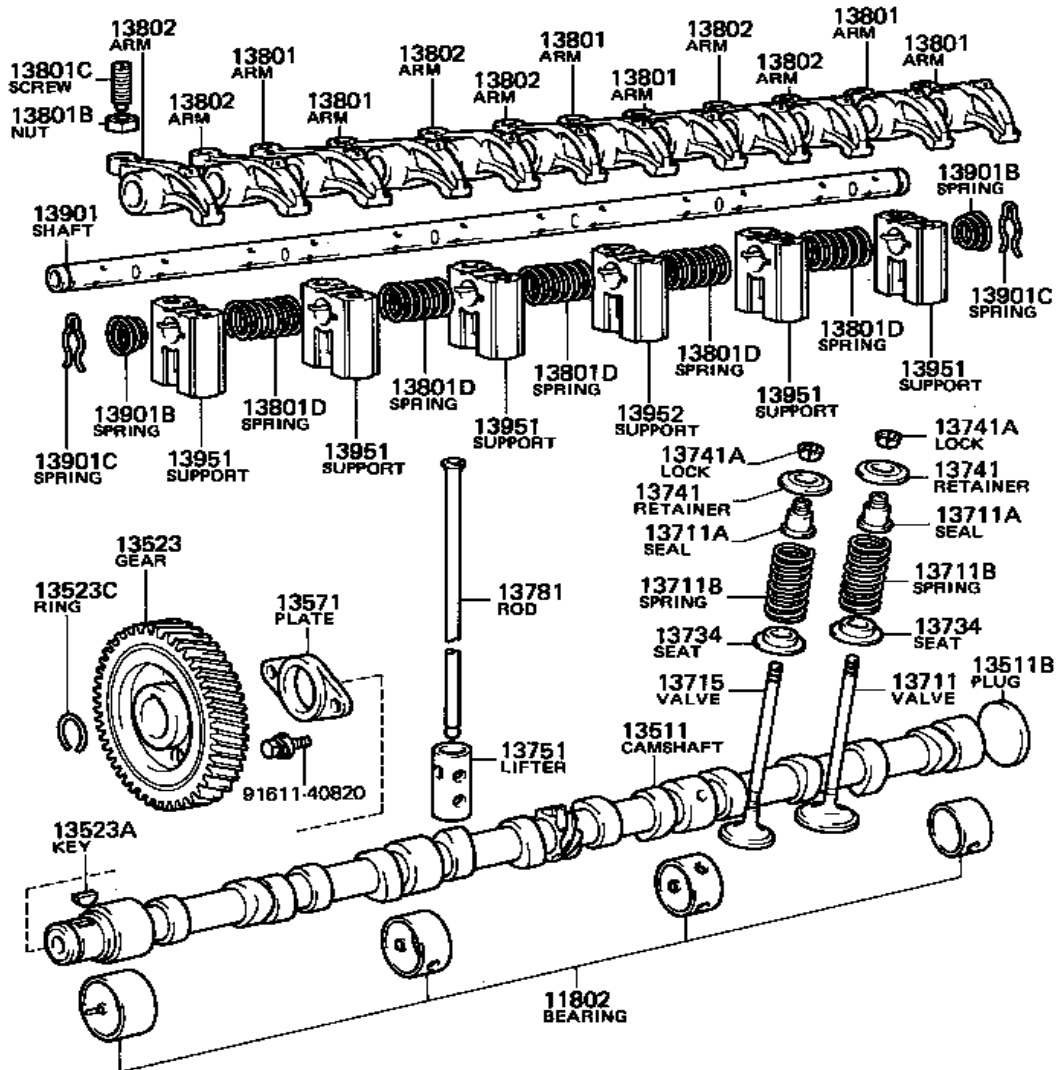
EUR

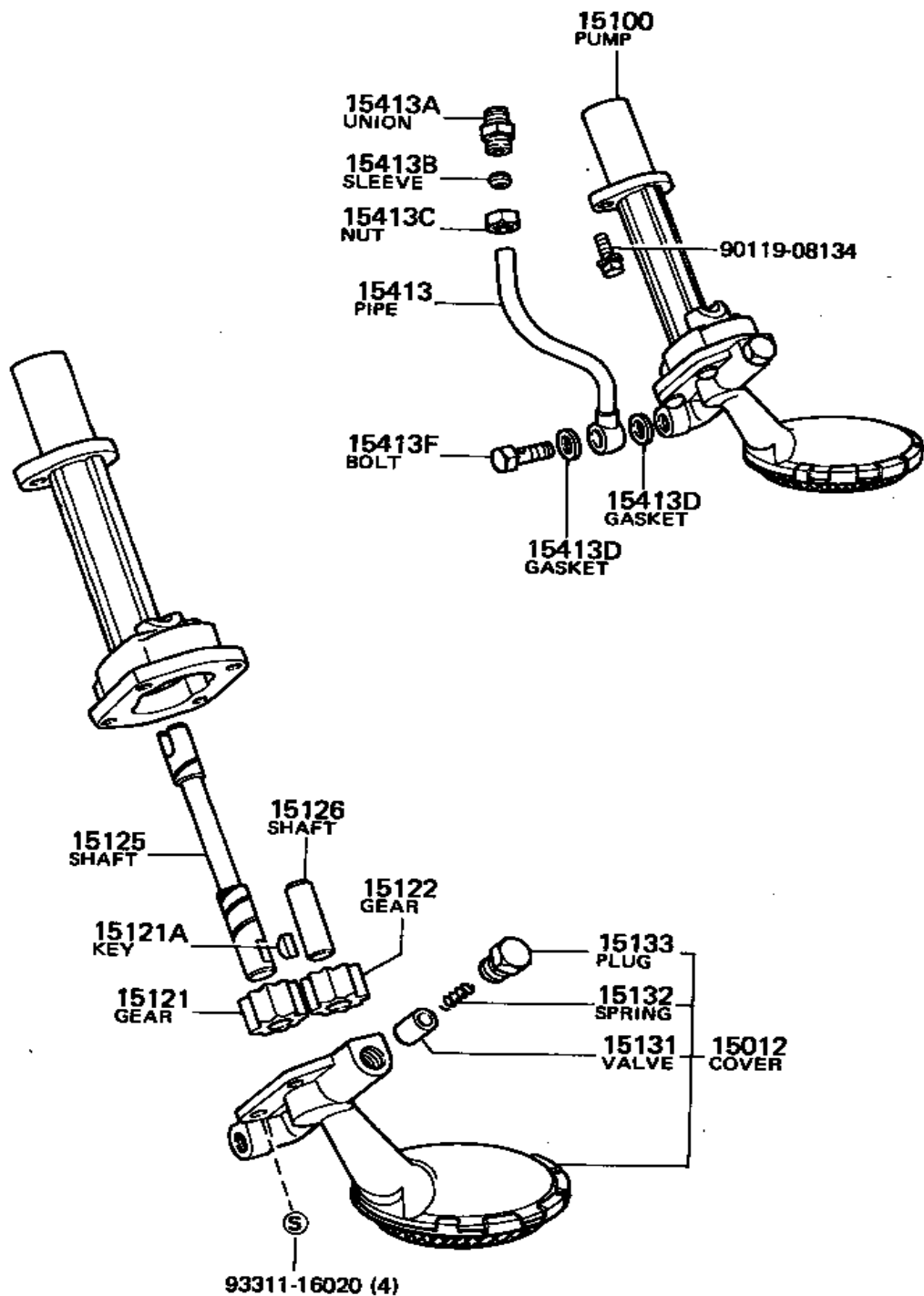
(-8202) HONG KONG SPEC
(-8309) NSW
(8401-) VICTORIA SPEC

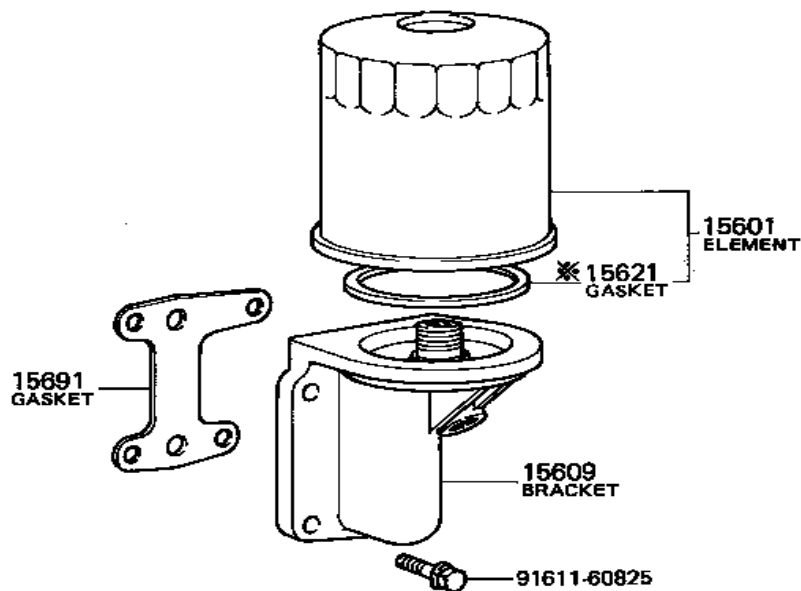




SINGLE PULLEY	W PULLEY	W PULLEY	TRIPLE PULLEY
A 155φ	A 155φ	A 227φ B 155φ	A 227φ B 155φ

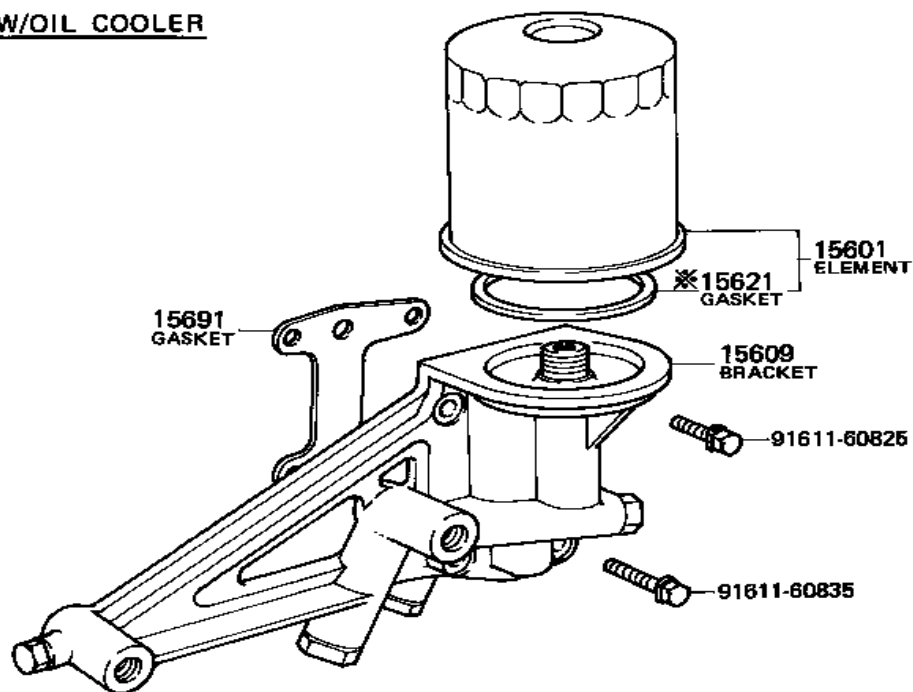




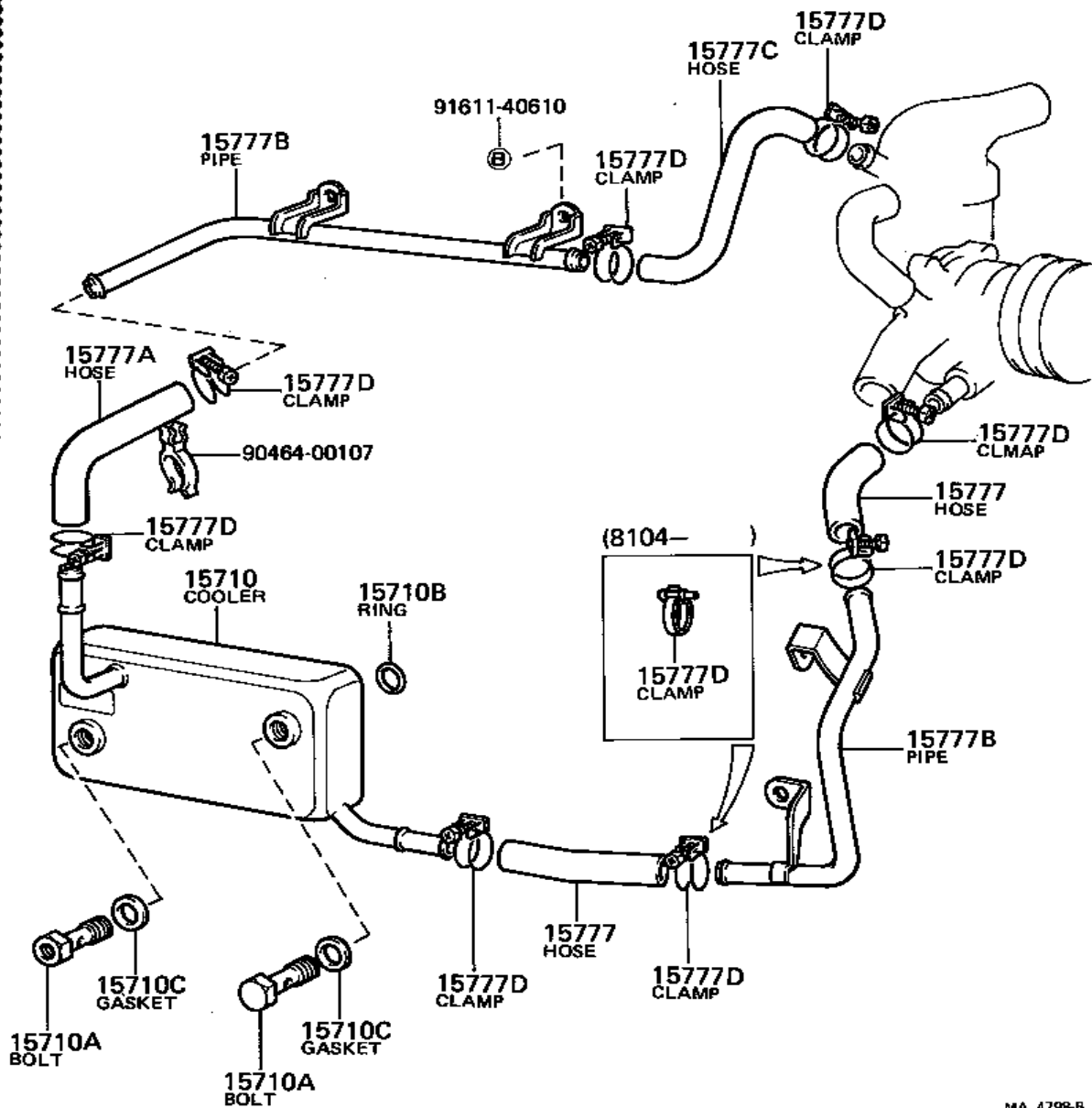


※(—8208)

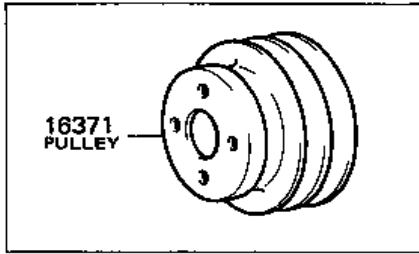
W/OIL COOLER



MA 4797-B

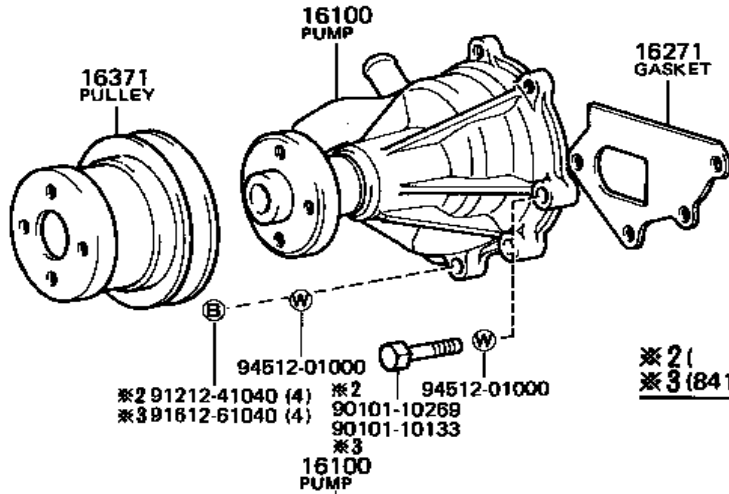
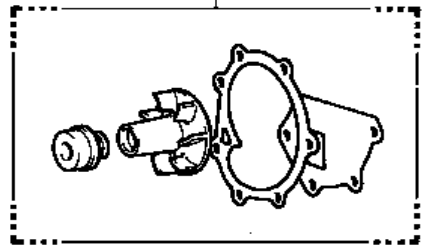


W/POWER STEERING



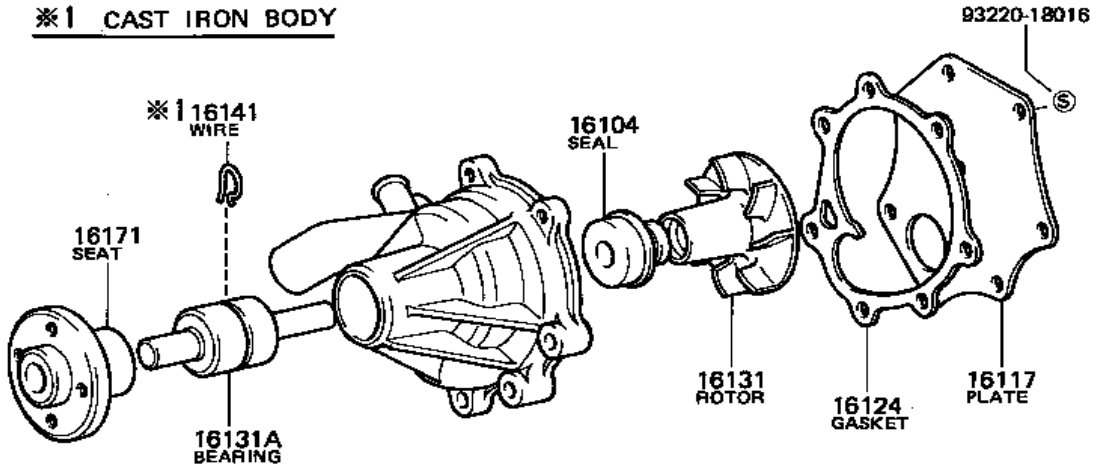
DIRECT TYPE

**16100L
ROTOR KIT**

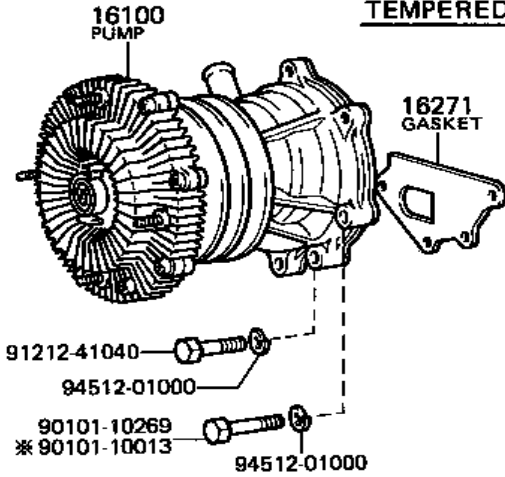


※2 (-8410)
 ※3 (8410-)

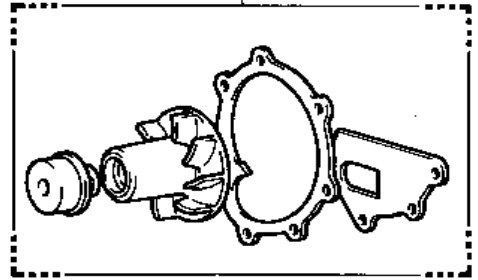
※1 CAST IRON BODY



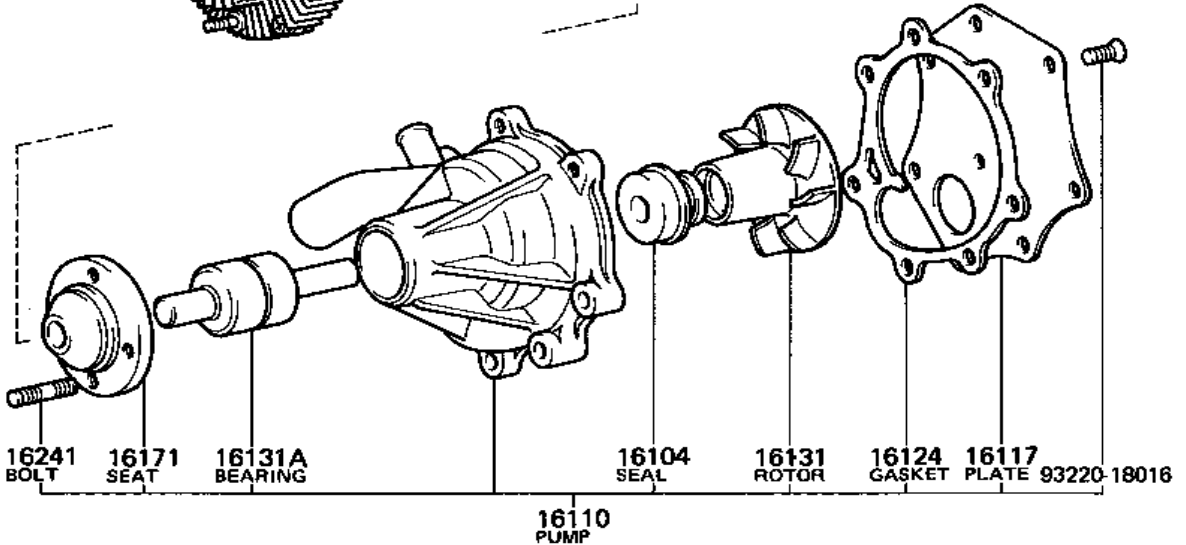
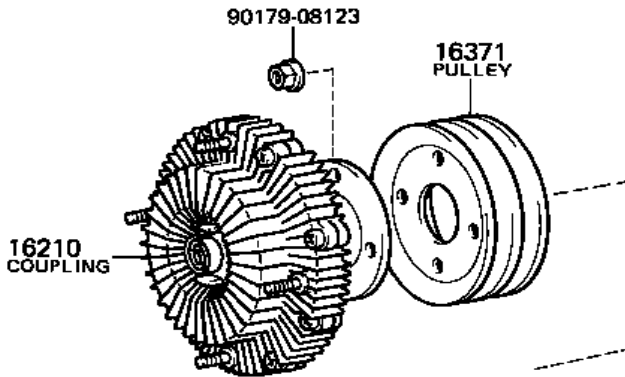
TEMPERED TYPE

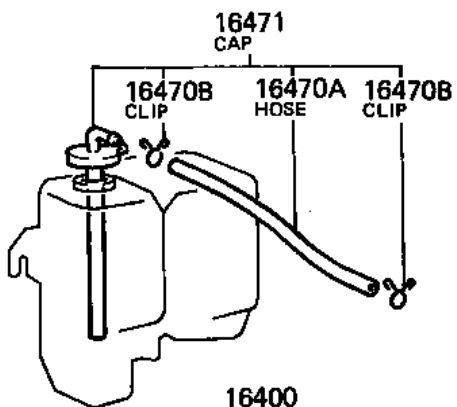


16100L ROTOR KIT



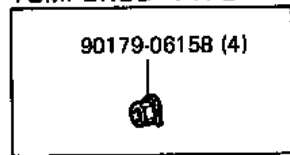
※ (-8309) NSW
 (8401-) VICTORIA SPEC



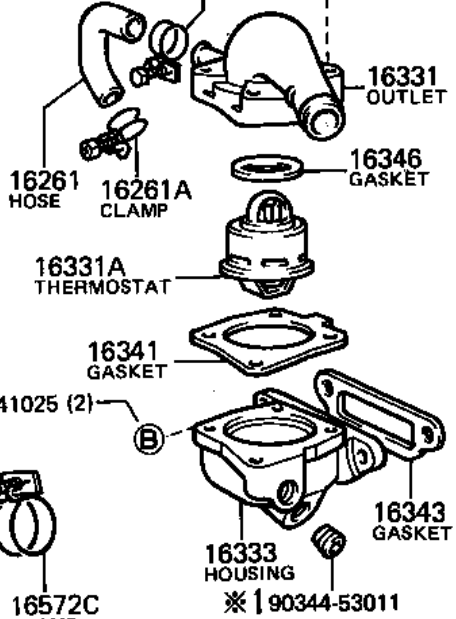
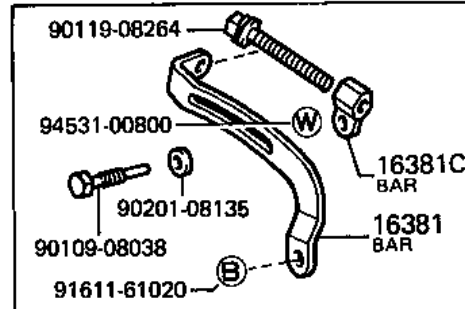
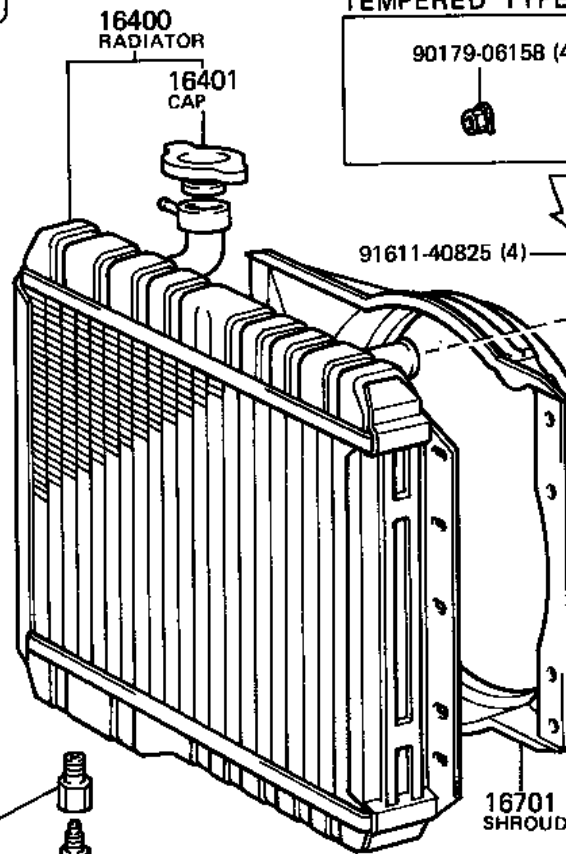


OD = 410 6 BLADES	OD = 430 8 BLADES	OD = 430 7 BLADES	OD = 450 7 BLADES

TEMPERED TYPE



(-8309) NSW; (8401-) VICTORIA SPEC

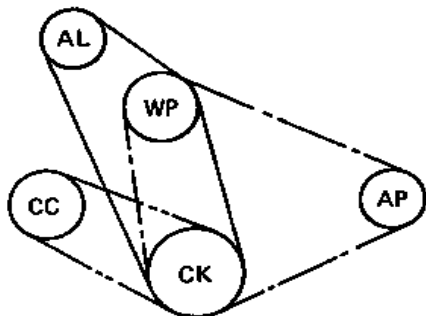


* 1 (-8309) NSW
(8401-) VICTORIA SPEC

W/HEATER	W/COOLER	W/HEATER COOLER

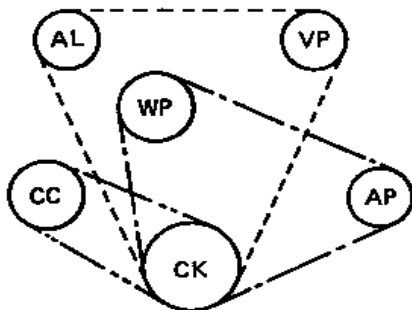
V-belt Application Chart

{ -8309) NSW .. W/O PS
(8401-) VICTORIA SPEC .. W/O PS

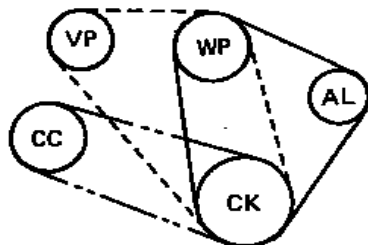


AL : Alternator
WP : Water Pump
CK : Crankshaft
AP : Air Pump
CC : Cooler Compressor
VP : Vane Pump

{ -8309) NSW .. W/ PS
(8401-) VICTORIA SPEC .. W/ PS



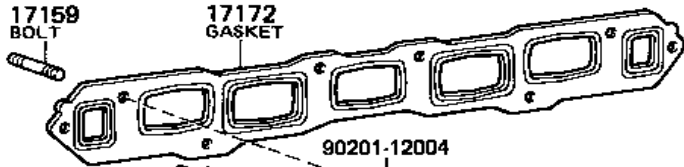
EXCL/ NSW, VICTORIA SPEC



	P.N.C.	FIG. No.
————	16361A	16-03
-----	44310A	45-03
-----	17610B	17-05
-----	88310A	87-19

17159
BOLT

17172
GASKET



90119-10393
(2)

90119-12003 (4)

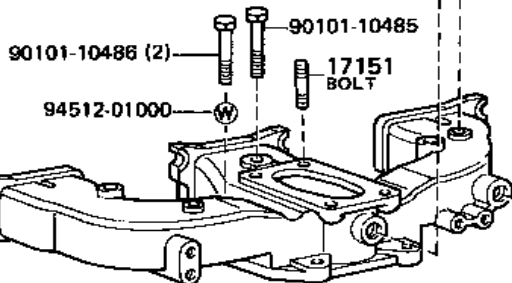
90201-12004

90170-12211 (2)

17110B
UNION

17111B
PLUG

17111A
PLUG



90101-10486 (2)

90101-10485

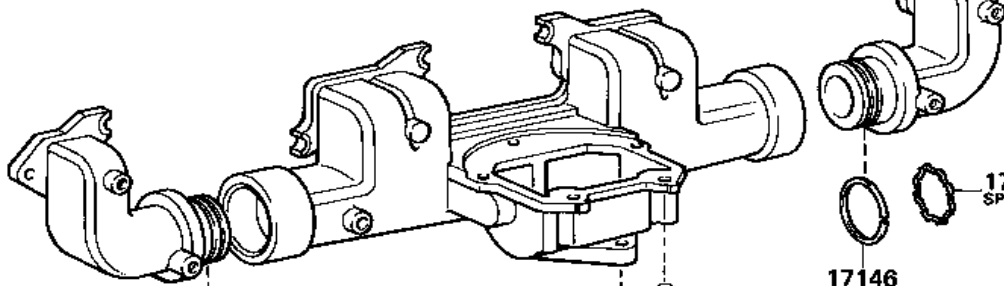
17151
BOLT

94512-01000

17169
INSULATOR

17171
GASKET

17171
GASKET



17146
RING

17147
SPRING

17152
BOLT

17146
RING

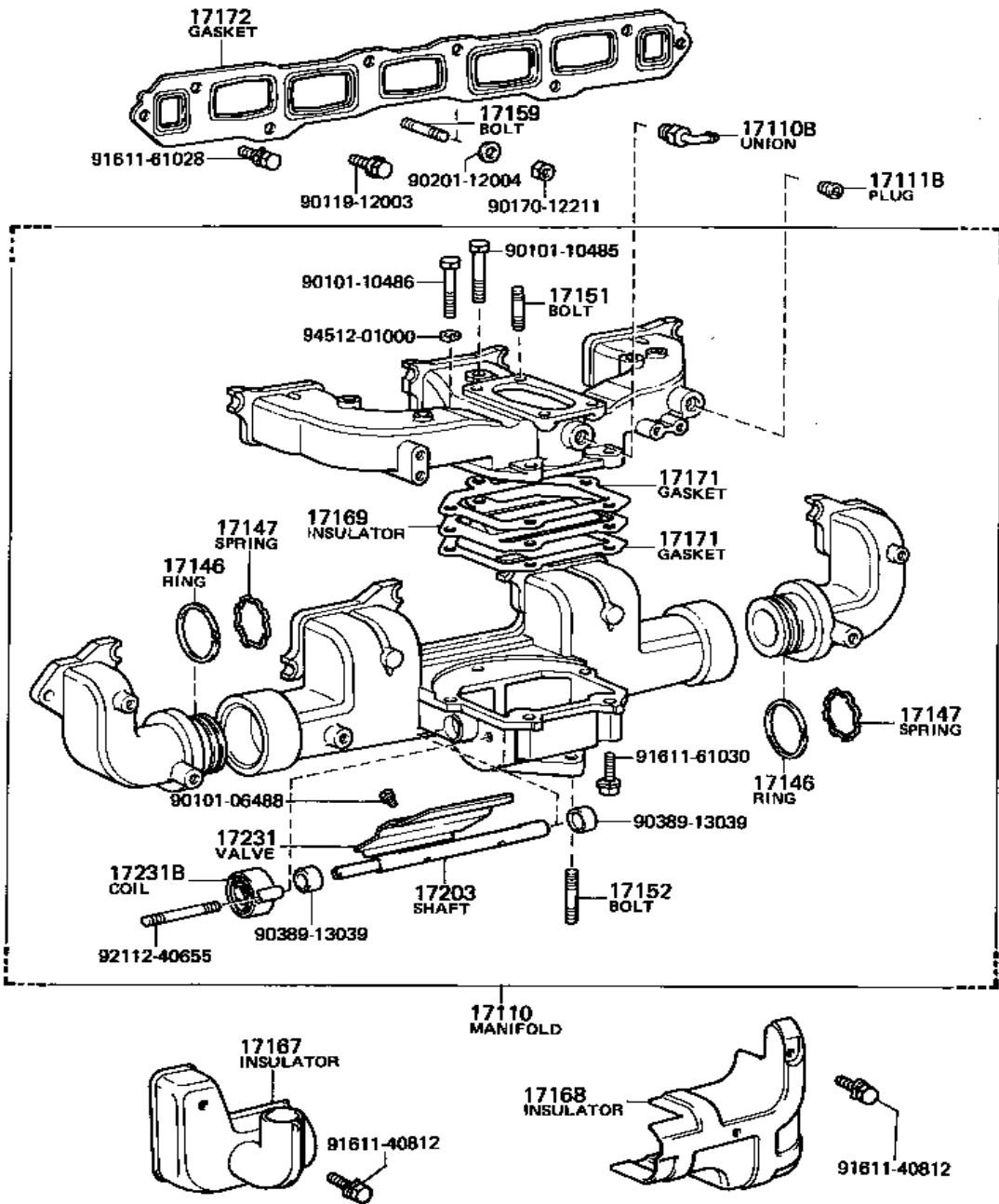
17147
SPRING

91611-61030 (2)

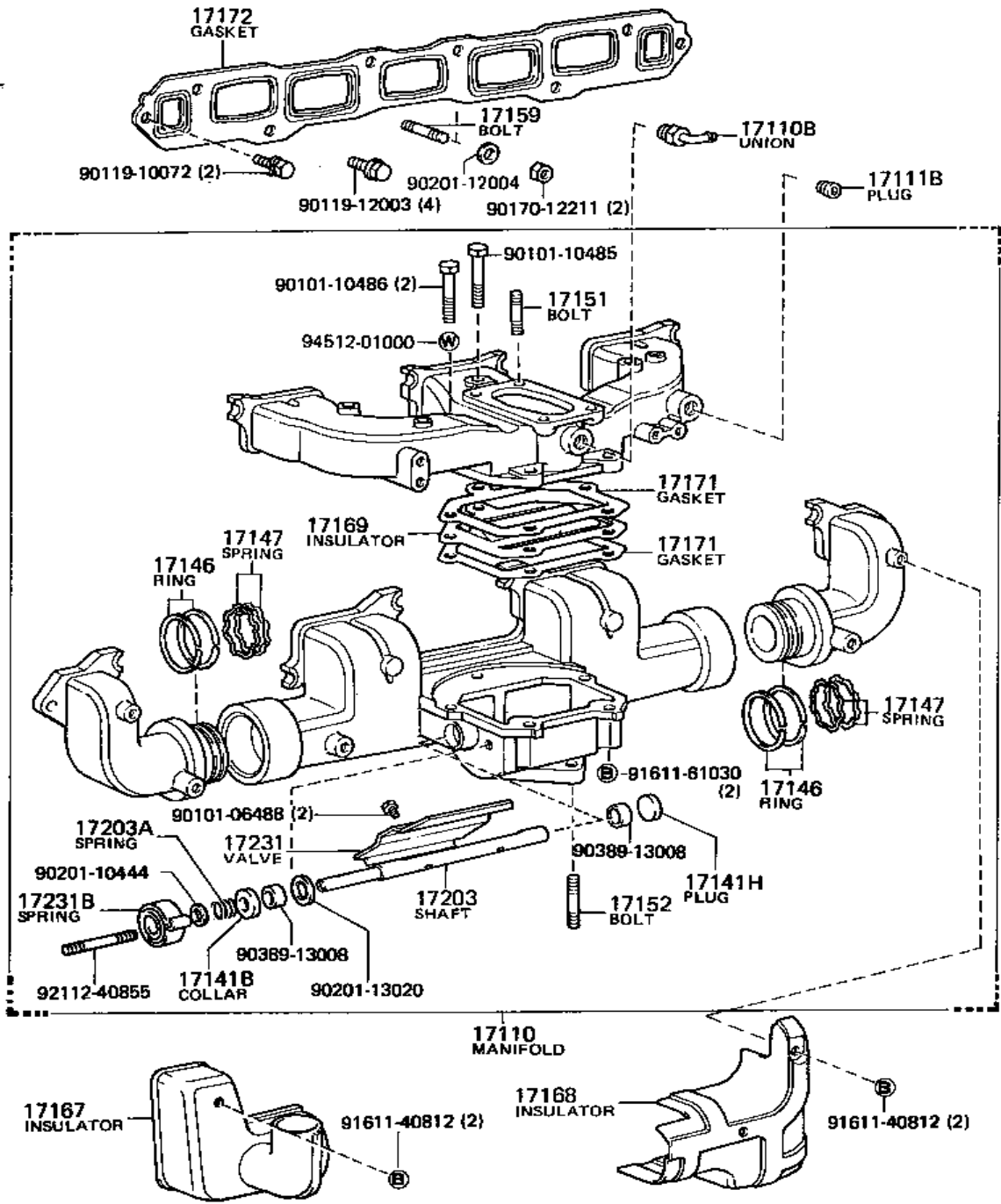
17110
MANIFOLD

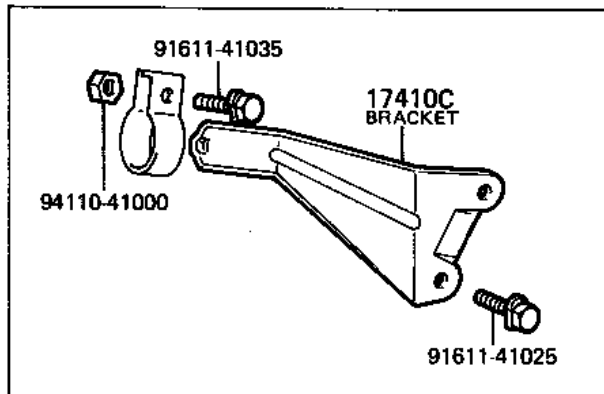
MA 4813-B

EUR, ARL, LOW-OCTAN SPEC

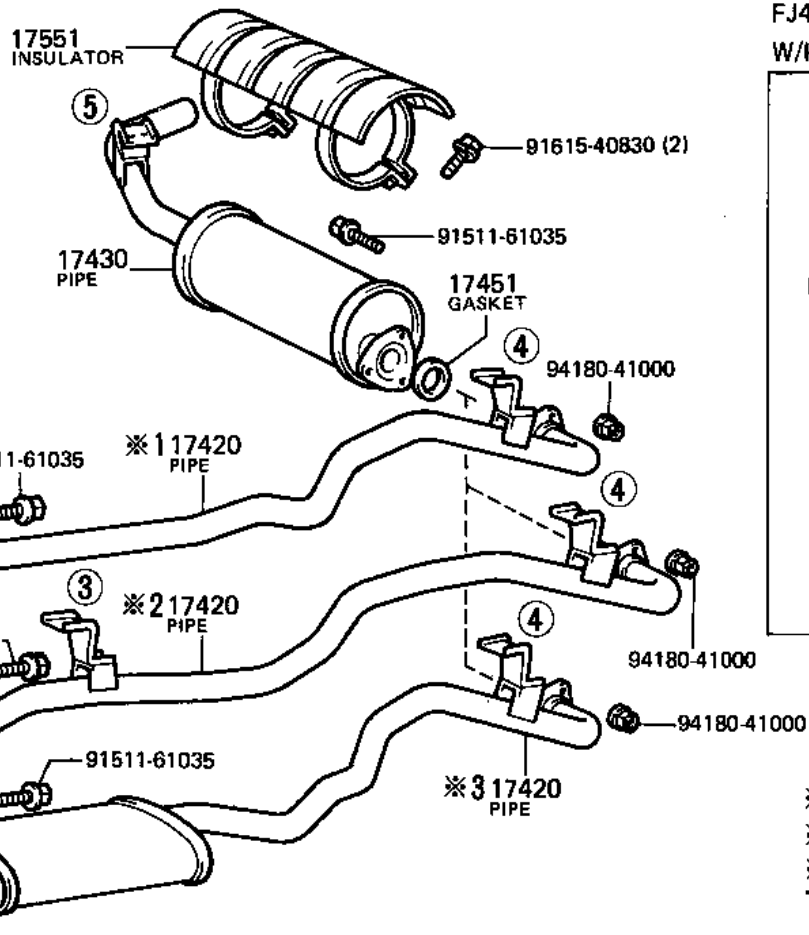


(8401—) SAUDI ARABIA SPEC
 EUR, ARL, LOW-OCTANE SPEC

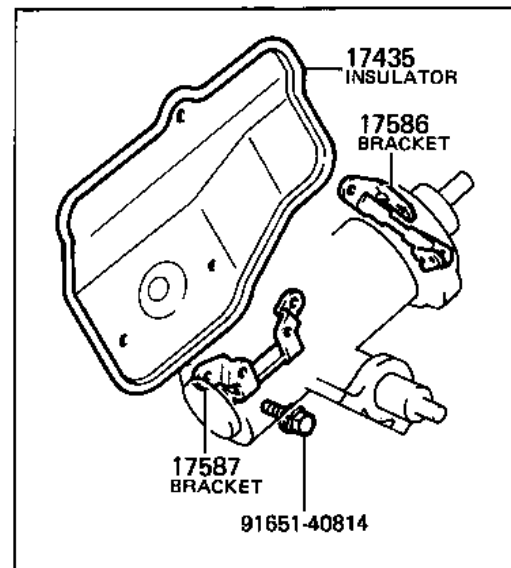




①

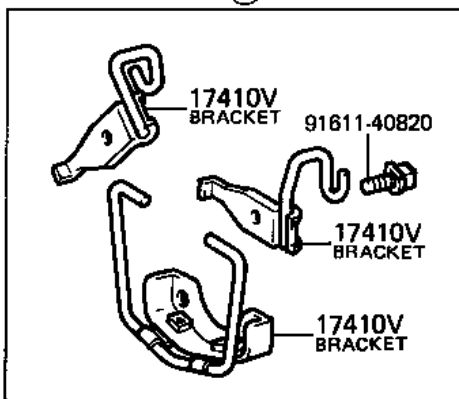


FJ40, 43 . . LHD
W/POWER STEERING

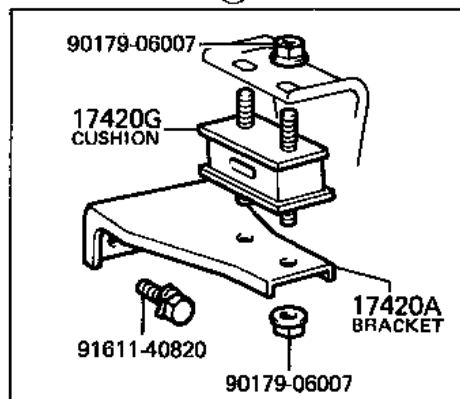


*1 FJ40 . . GEN, ARL
*2 FJ43
*3 FJ40 . . EUR

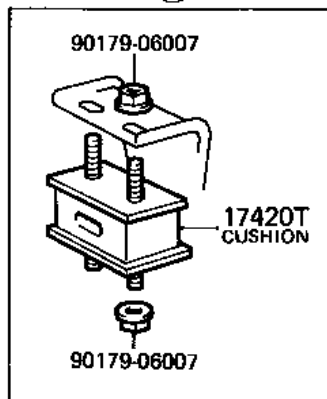
②



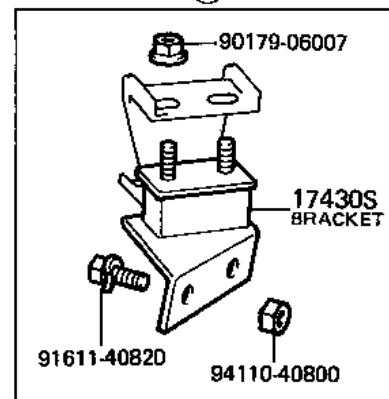
③



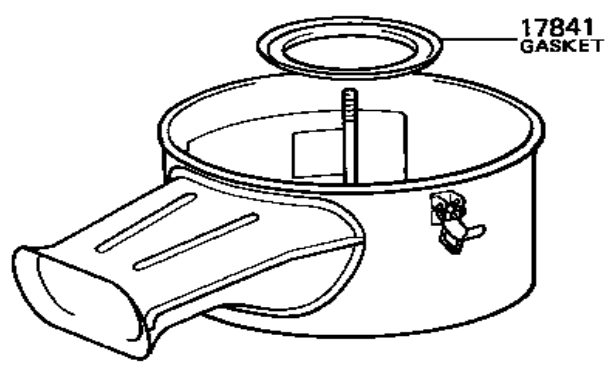
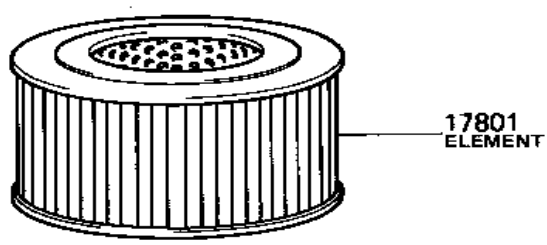
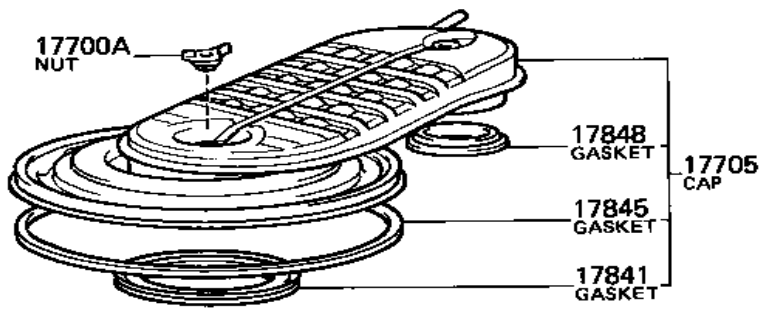
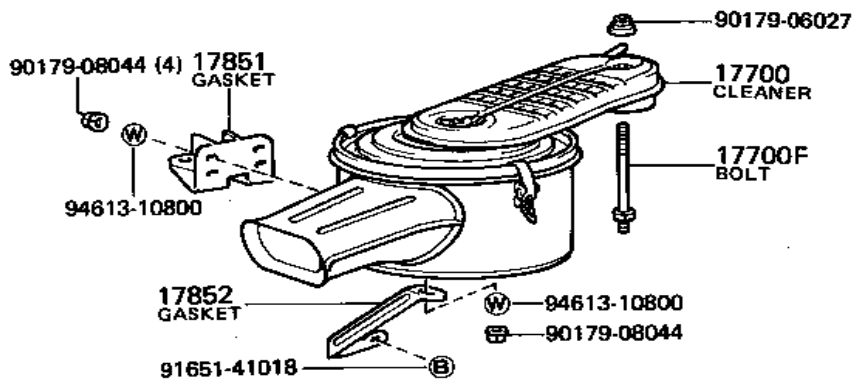
④



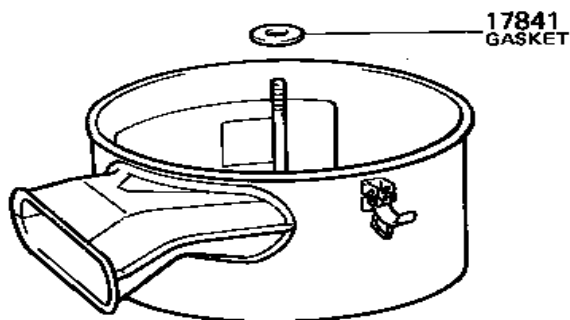
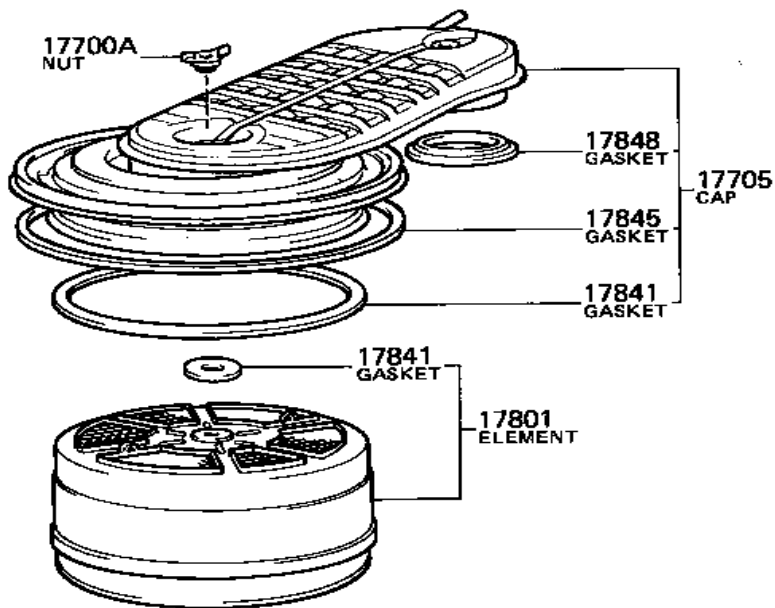
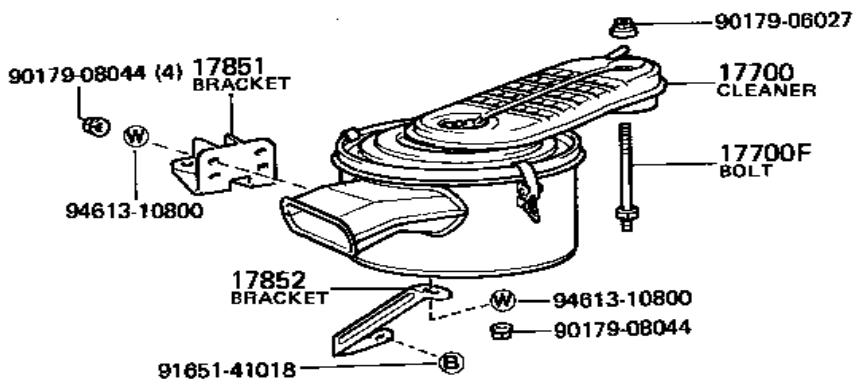
⑤



PAPER ELEMENT



OIL BATH

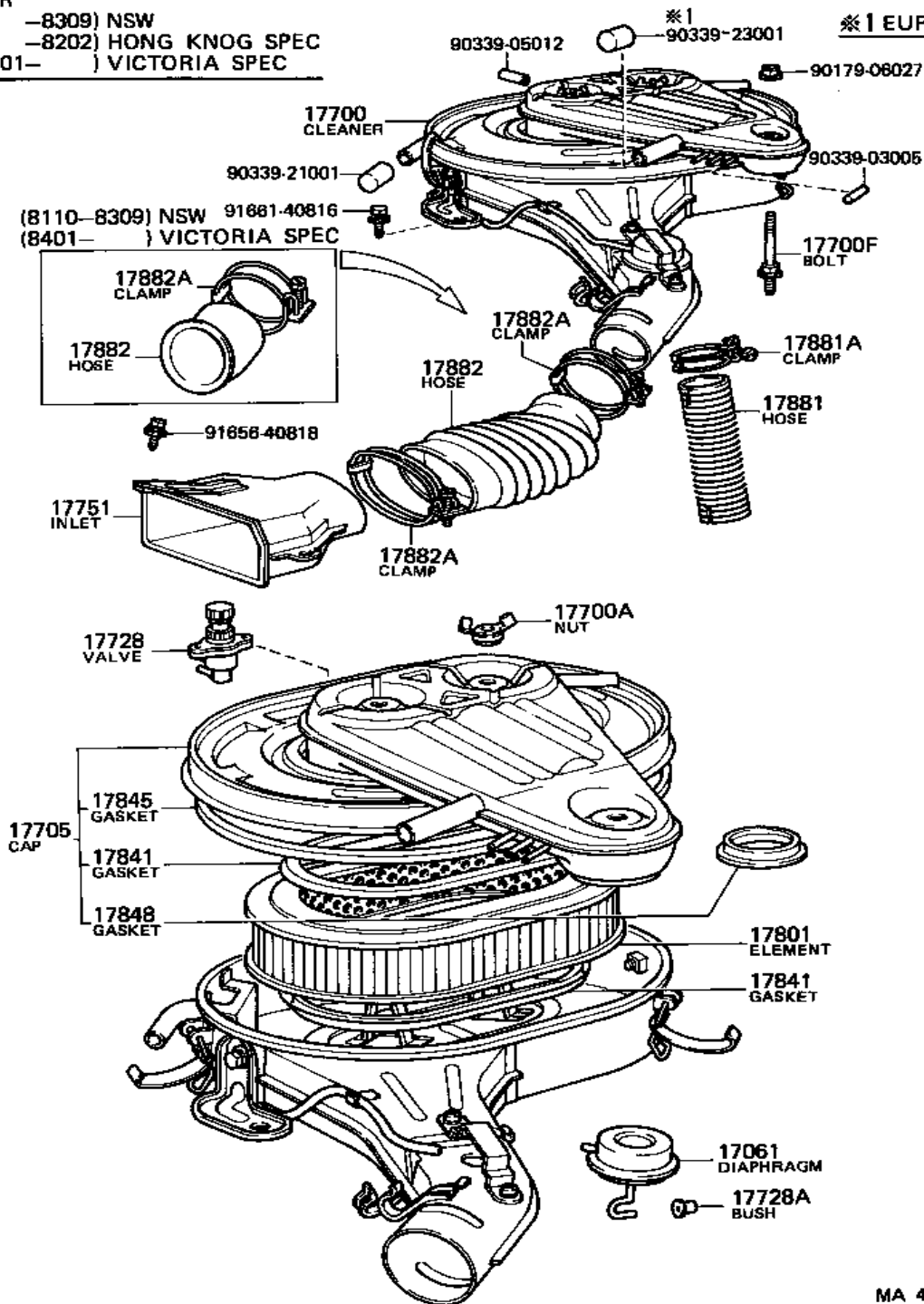


MA 4831-C

EUR

(-8309) NSW
(-8202) HONG KONG SPEC
(8401-) VICTORIA SPEC

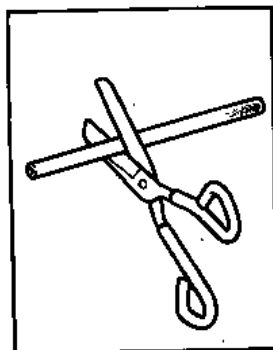
※1 EUR



MA 4832-C

Based on the serial number established per hose type, they are supplied in the following lengths:

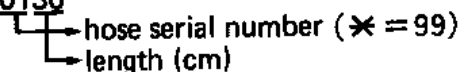
less than 300mm – 300mm
 greater than 301mm but less than 600mm – 600mm
 greater than 601mm but less than 950mm – 950mm



Cut appropriate hose to exact specifications.

(Part Number Composition)

95411 – 10130



ex.

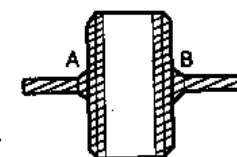
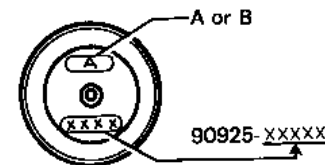
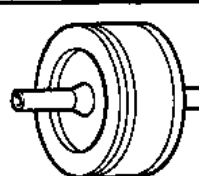
95411 – 10130..part number
 (L = 220)exact specification (mm)

AAP	Auxiliary Acceleration Pump		
ABV	Air By-pass Valve	VCV	Vacuum Control Valve
ASV	Air Switching Valve	TP	Throttle Positioner
Carb.	Carburetor	Th. O	Throttle Opener
Ch. B	Choke Braker	S/W	Switch
Ch. O	Choke Opener		
Dist.	Distributor		
HIC	Hot Idle Compensator		
VSV	Vacuum Switching Valve		

90413-04005	90414-04001	90414-04002		
90464-00074	90464-00081	90464-00082		

VTV Identification Chart

• VTV External Appearance

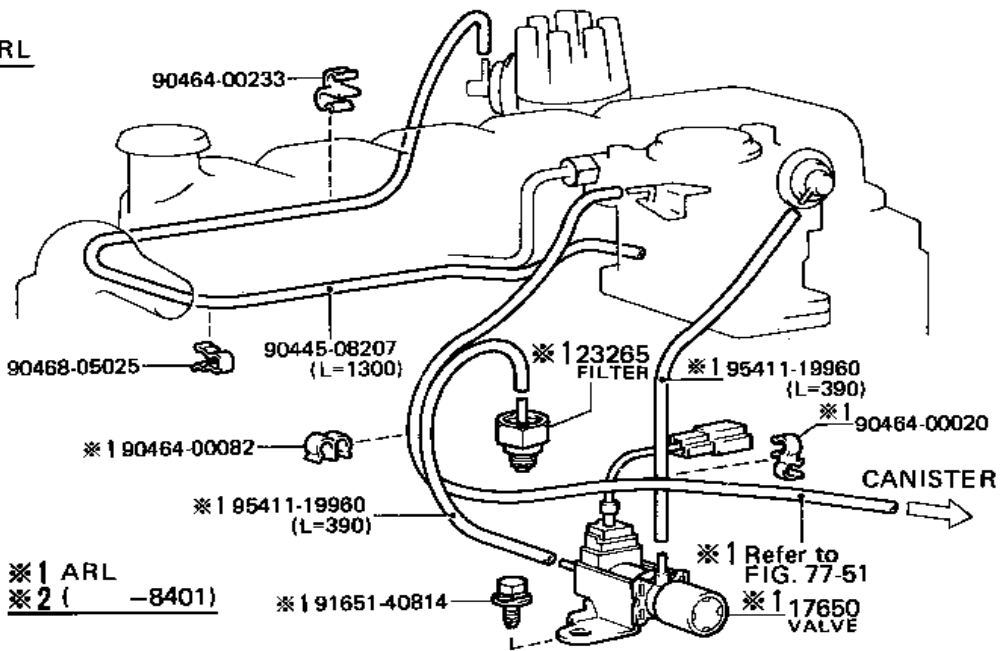


• Volume and Color

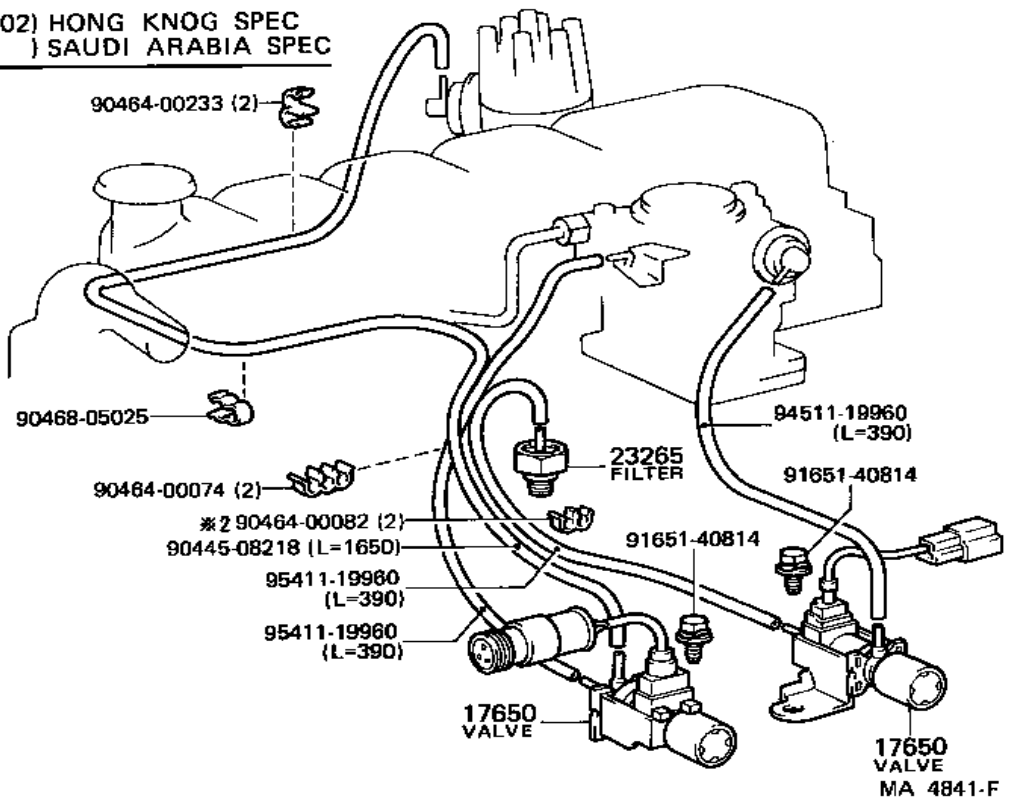
Volume (cc/min)	25	50	100	140	200	400	800	1600
COLOR	RED	GREEN	YELLOW	WHITE	DARK BLUE	BROWN	GRAY	PURPLE

Volume (cc/min)	COLOR			PART NUMBER
	A	BODY	B	
25	Red	Black	Black	90925-01006
43	Green	"	"	" -01004
50	"	White	"	" -01029
100	Yellow	Black	"	" -01005
"	"	White	"	" -01027
140	White	Black	"	" -01008
"	"	White	"	" -01019
200	Dark Blue	Black	"	" -01018
"	"	White	"	" -01021
25-37.5	Red	White	Black	90925-01062
25-125	Yellow	Black	Red	" -01064
50-100	Green	Green	Black	" -01054
50-250	"	"	Dark Blue	" -01043
100-1700	Yellow	"	Purple	" -01053
140-340	White	"	Dark Blue	" -01042
200-800	Dark Blue	Black	Gray	" -01026

GEN, ARL



EUR
 (-8202) HONG KONG SPEC
 (8401-) SAUDI ARABIA SPEC



11294
PLATE

THIS ENGINE WAS MANUFACTURED
TO COMPLY WITH ADR 30
DATE /

11293
PLATE

3B

弁間隙 (気門) VALVE CLEARANCE(HOT)

17700C
PLATE

 AIR CLEANER SERVICE アクリーナ サービス

CLEAN ELEMENT エLEMENT 清掃

--	--

17700C
PLATE

 AIR CLEANER SERVICE

エLEMENT 清掃 INSPECT AIR CLEANER ELEMENT

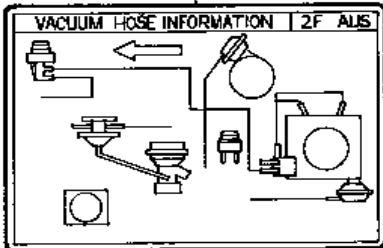
--	--

17700D
PLATE

2 F エンジン調整表 MEASUREMENT OF ENGINE ADJUSTMENT


アイドリング調整 ファストアイドル タペット テイス スパーク	IDLE SETTINGS

17792
PLATE



11298
PLATE

VEHICLE EMISSION CONTROL INFORMATION

TOYOTA MOTOR CORPORATION 

2F AUS

MA 4850-B

19901
CORD SET

19901A
CORD

19901G
CORD

19901F
CORD

19901E
CORD

19901D
CORD

19901C
CORD

19901B
CORD

19942
CLAMP

90463-15067

19941
CLAMP

19100P
PLUG

90464-00079

※1
19904
WIRE

94110-40800

94611-10800

94511-00800

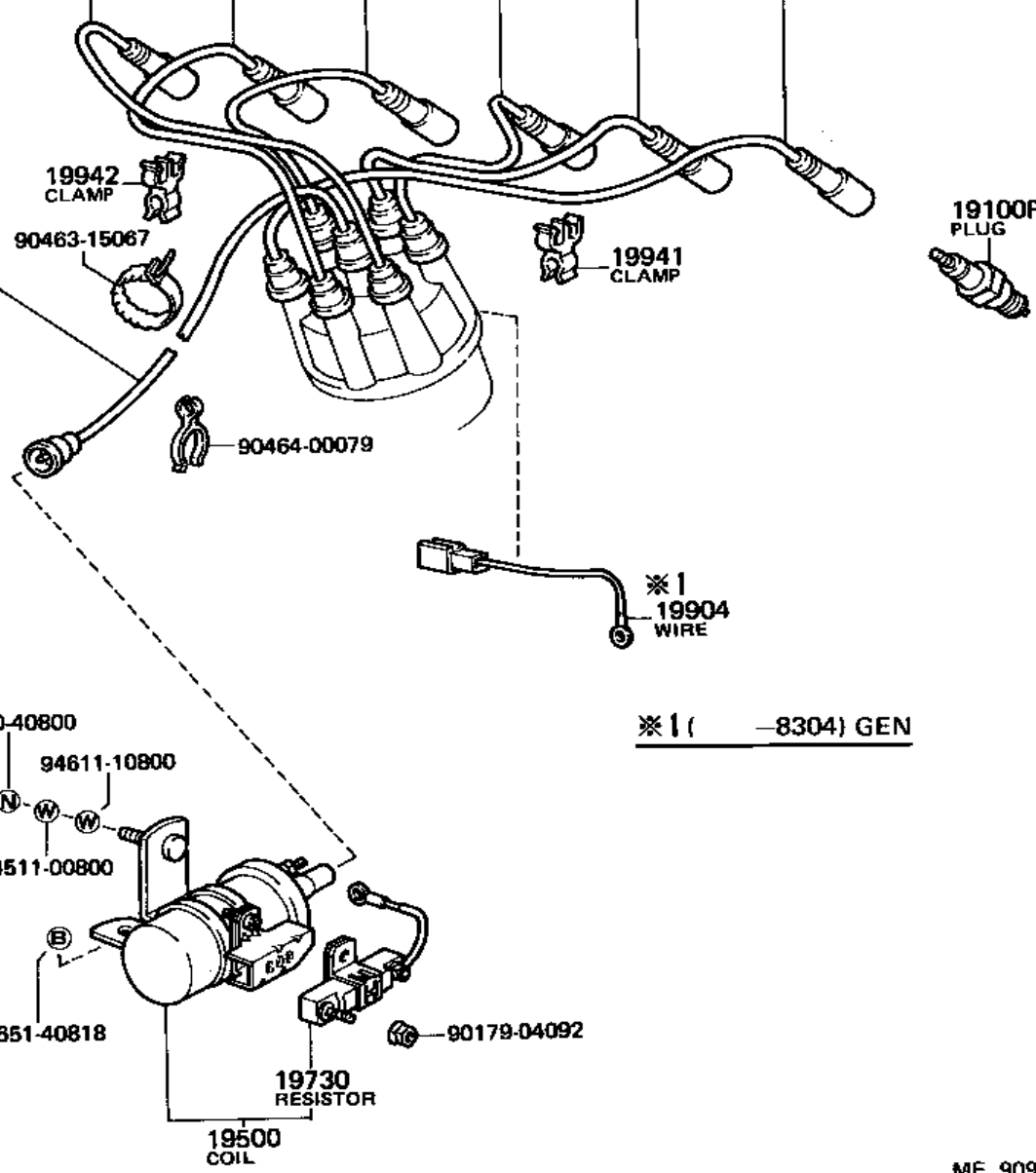
※1 (-8304) GEN

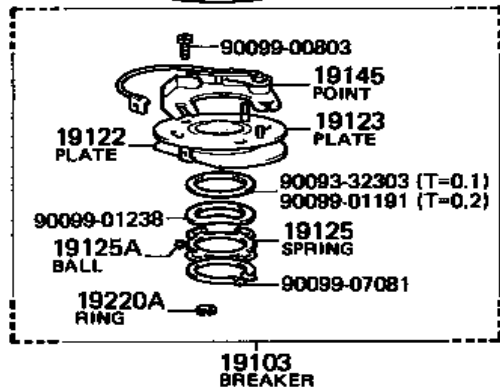
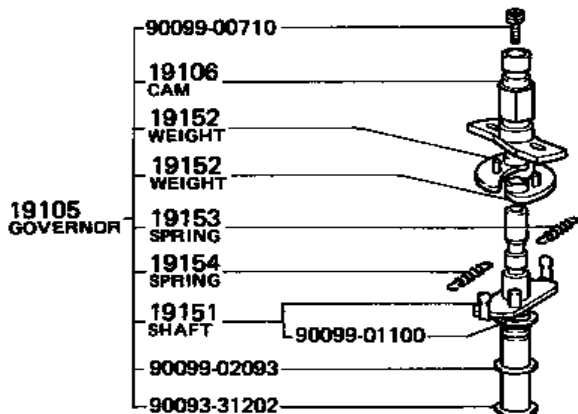
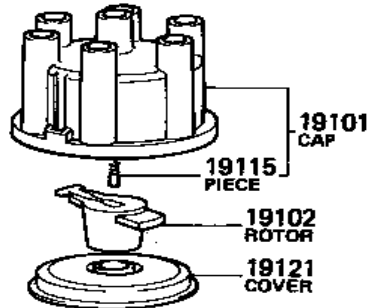
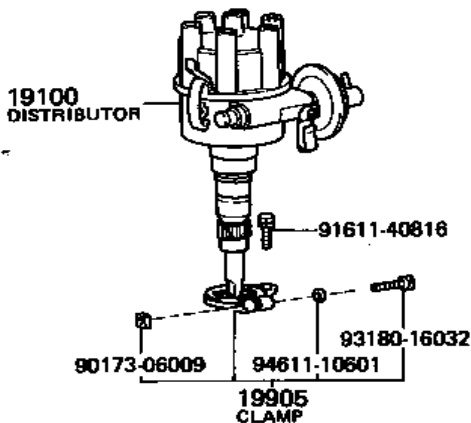
91651-40818

90179-04092

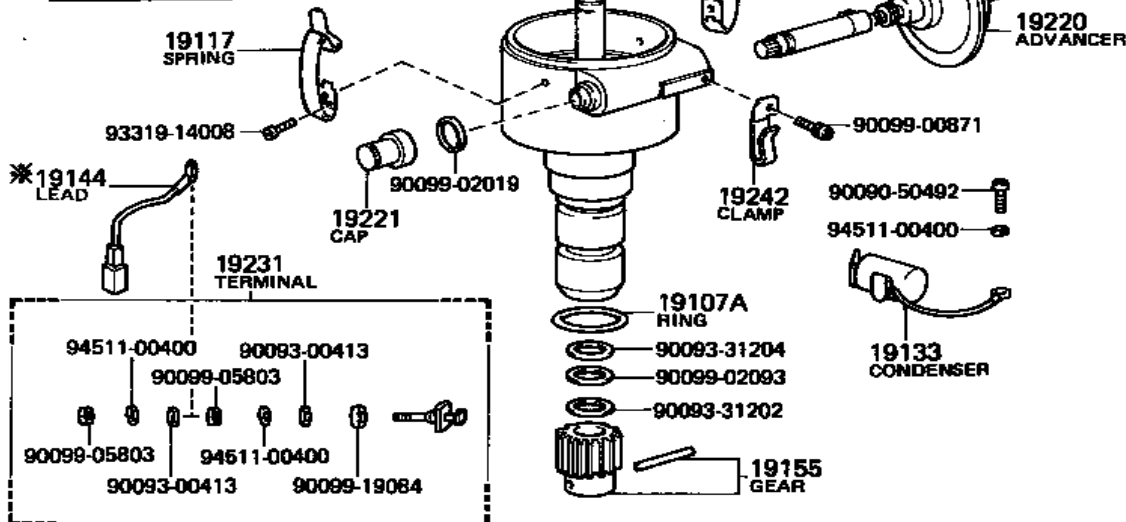
19730
RESISTOR

19500
COIL

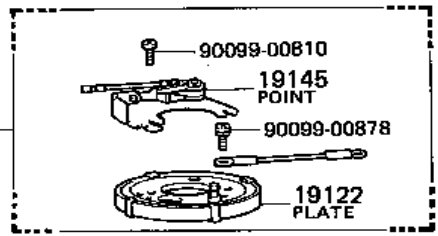
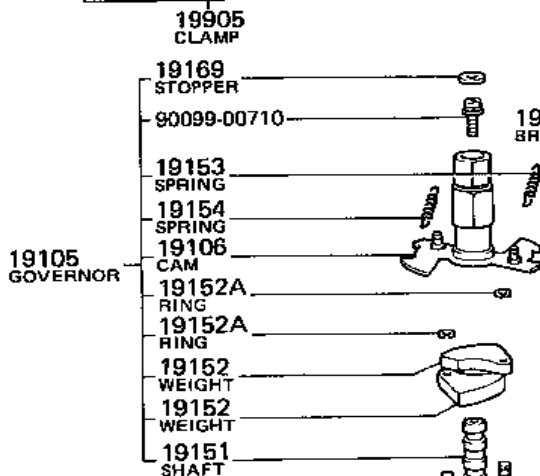
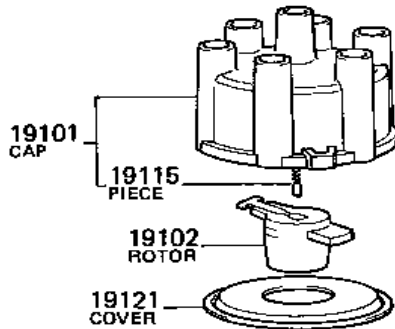
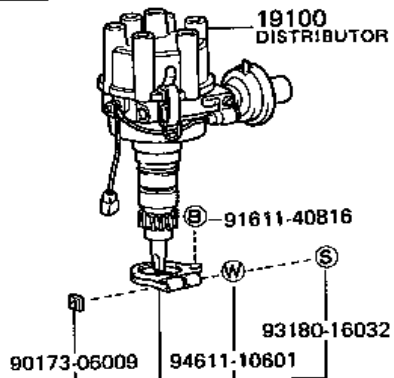




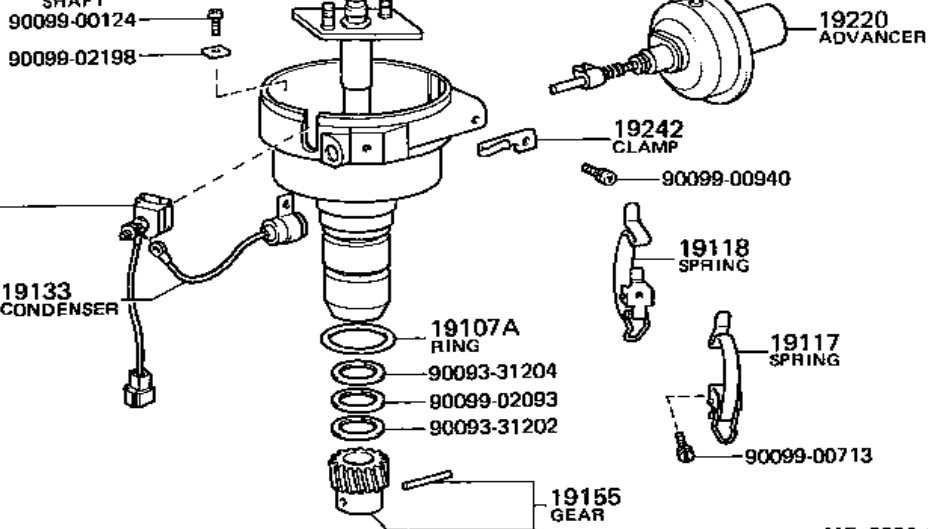
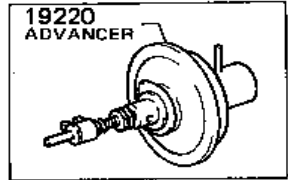
※ (8304—)



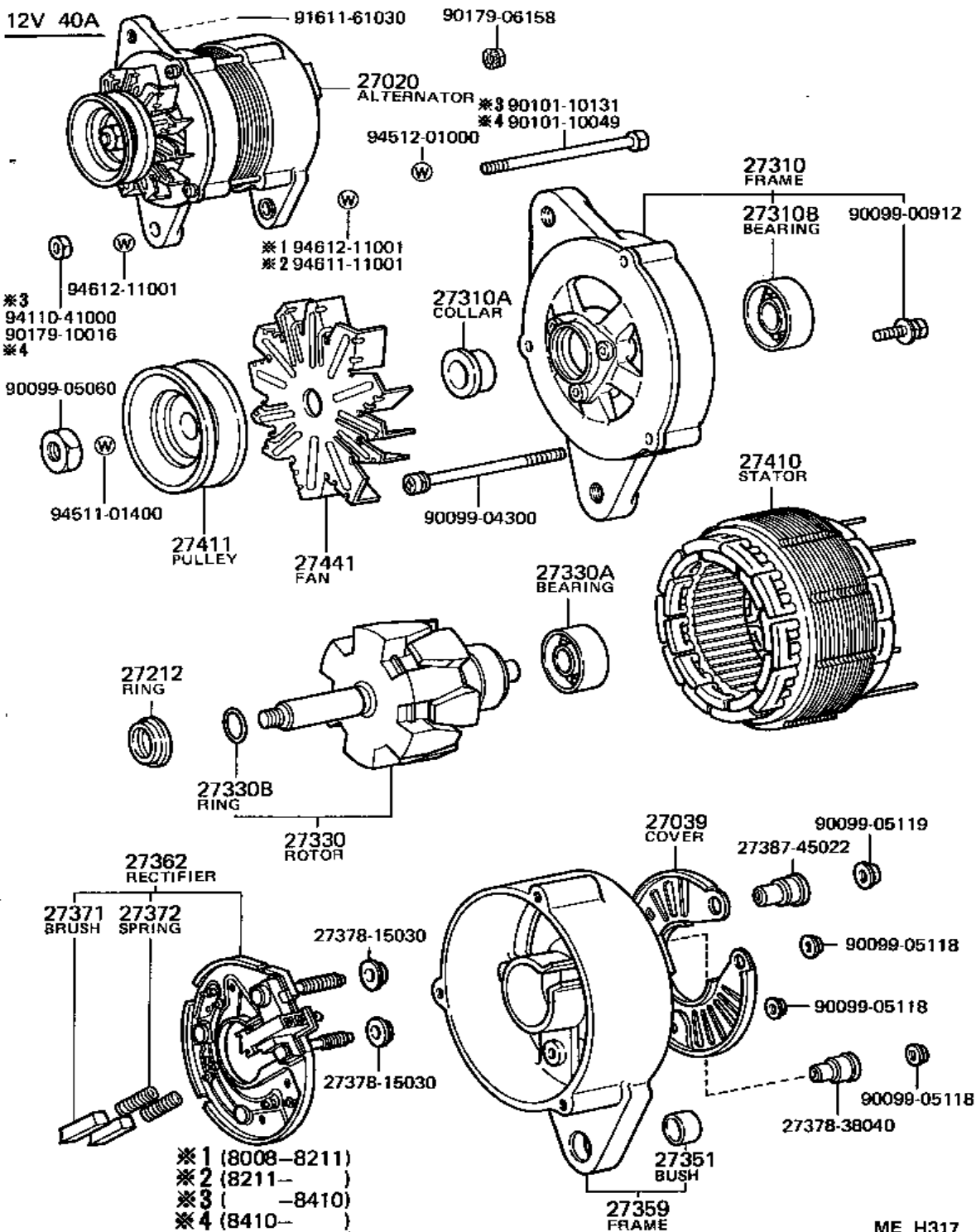
EUR, ARL
 (-8202) HONG KONG SPEC
 (8401-) SAUDI ARABIA SPEC



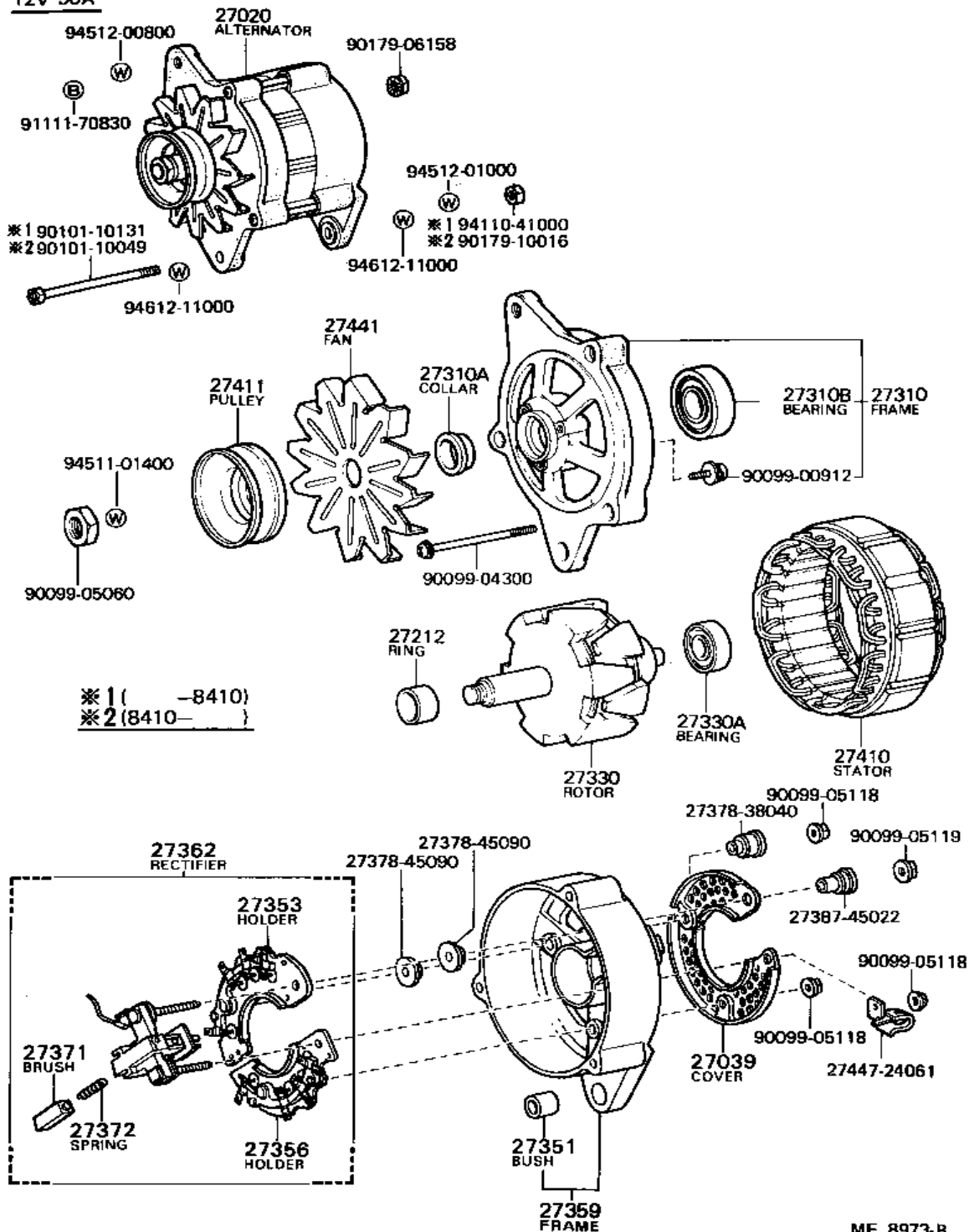
(8205-) ARL



12V 40A

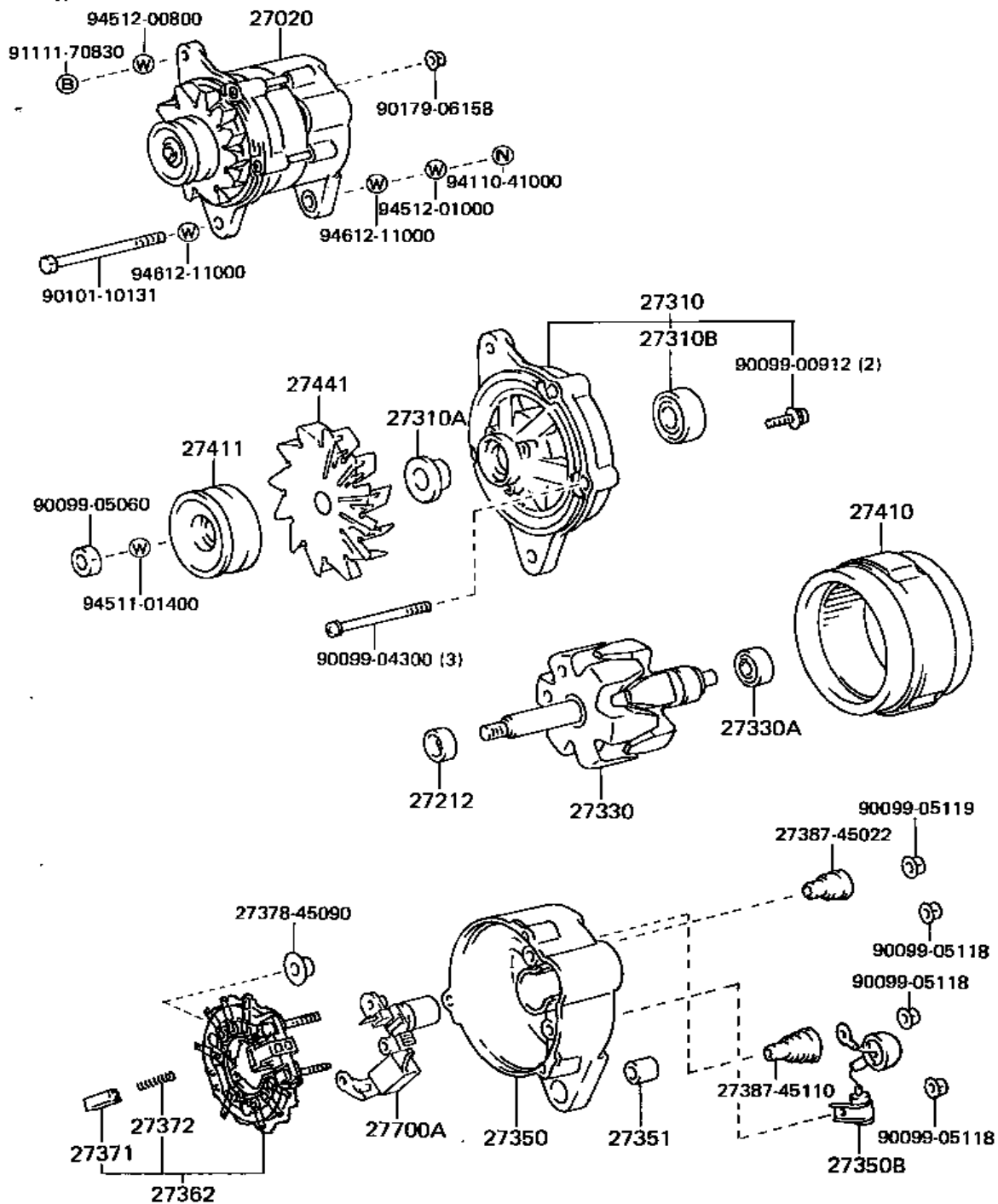


12V 50A



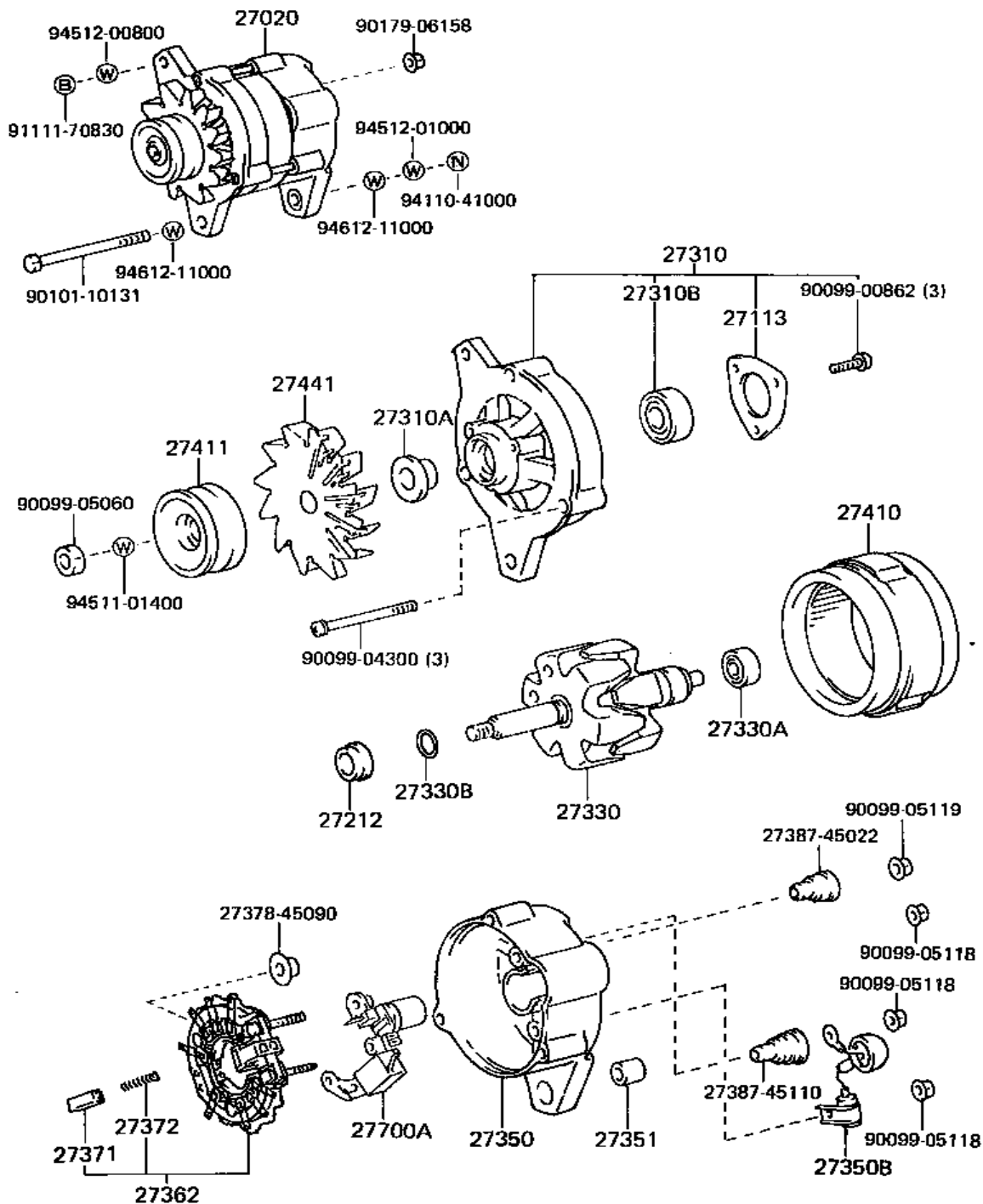
ME 8973-B

12V 65A



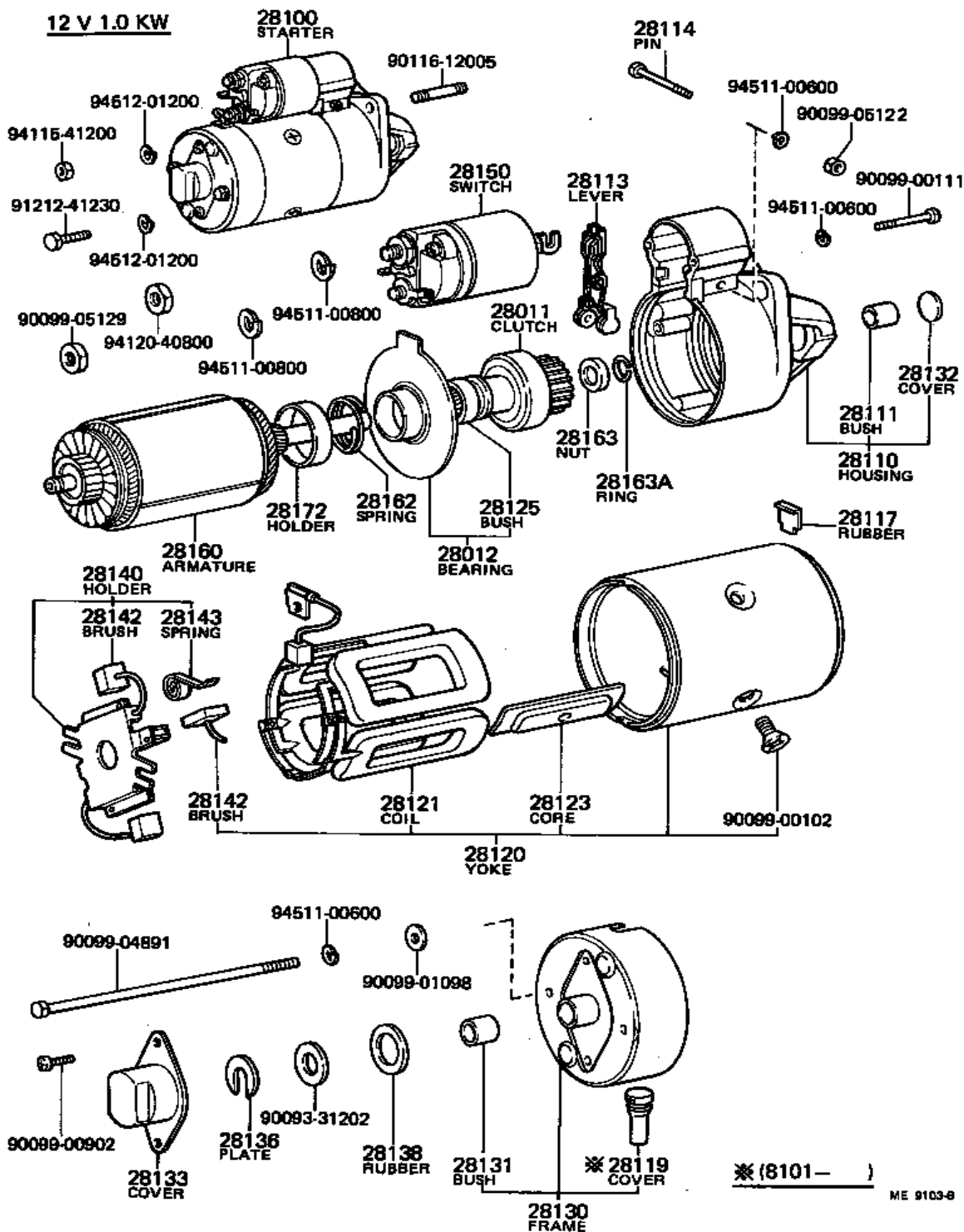
ME H290

12V 65A

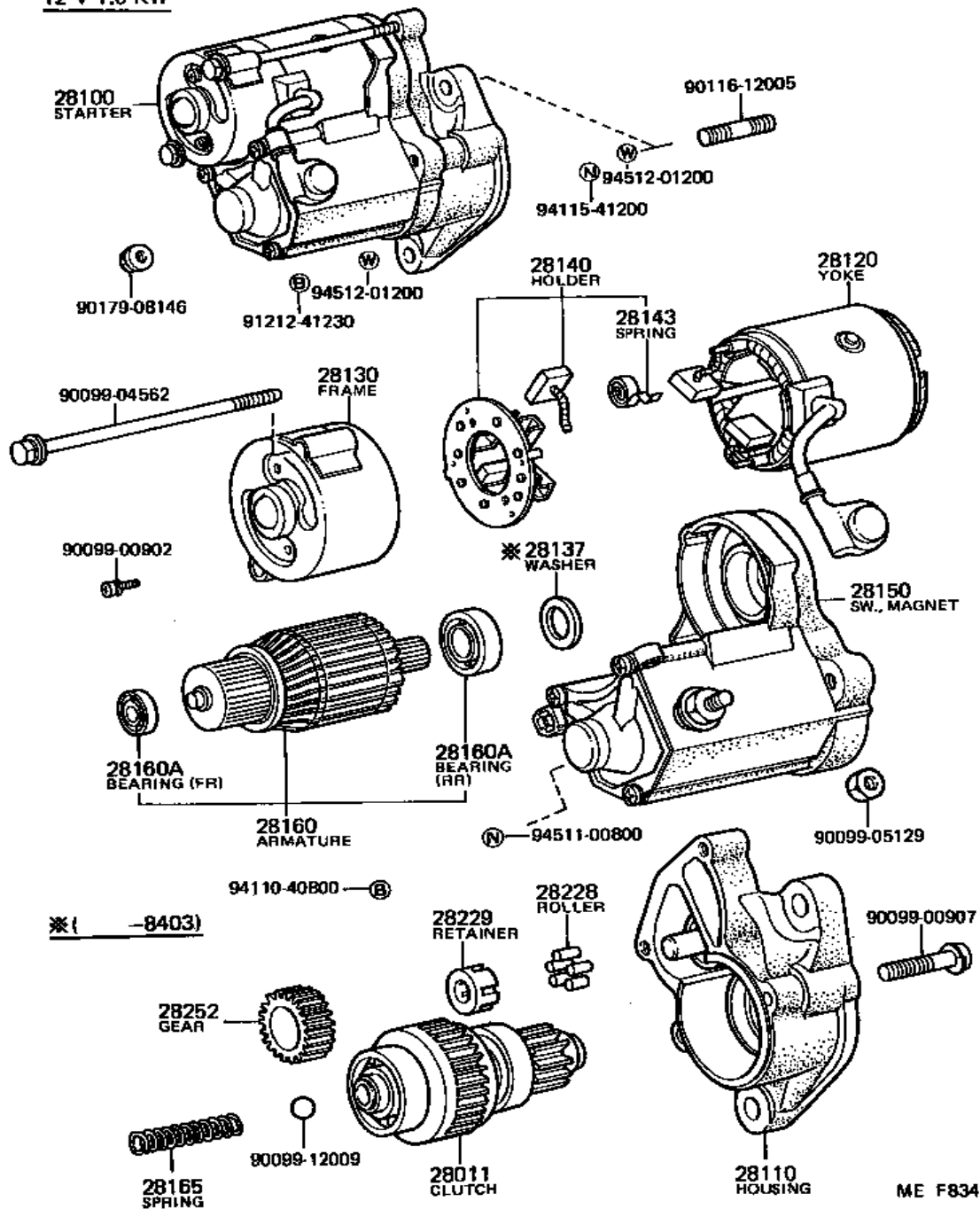


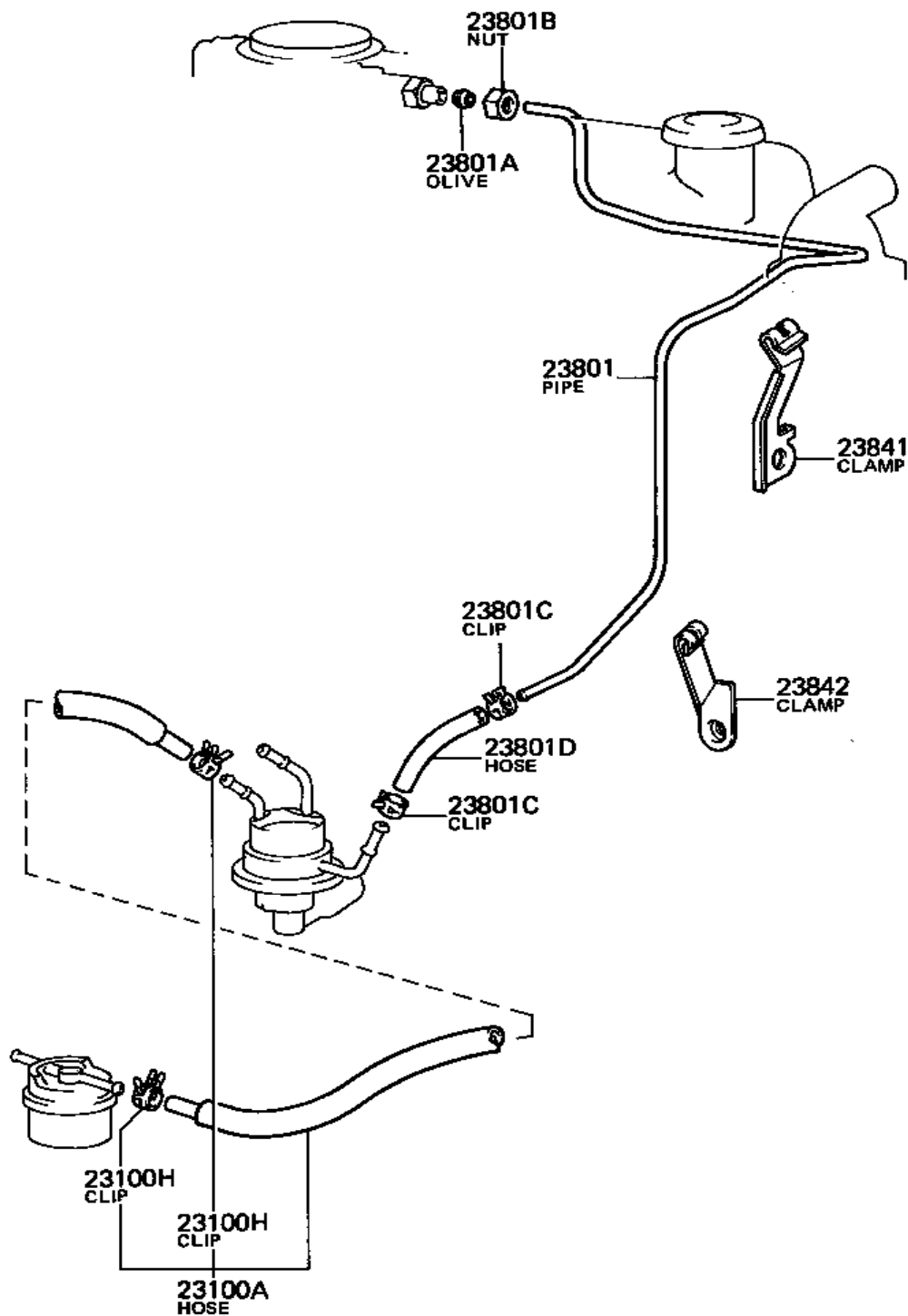
ME H291

12 V 1.0 KW



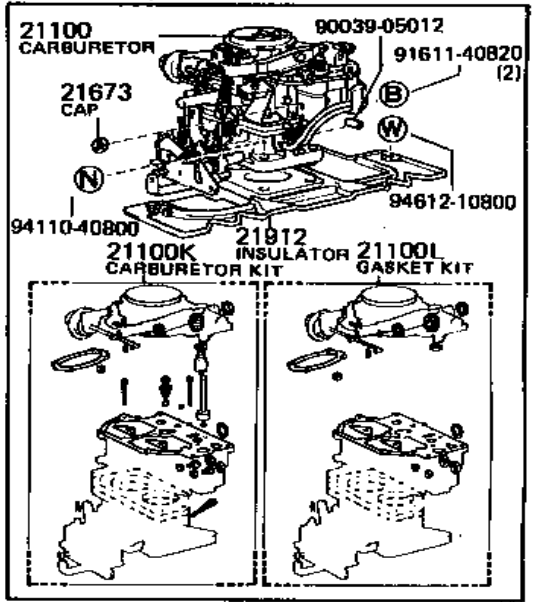
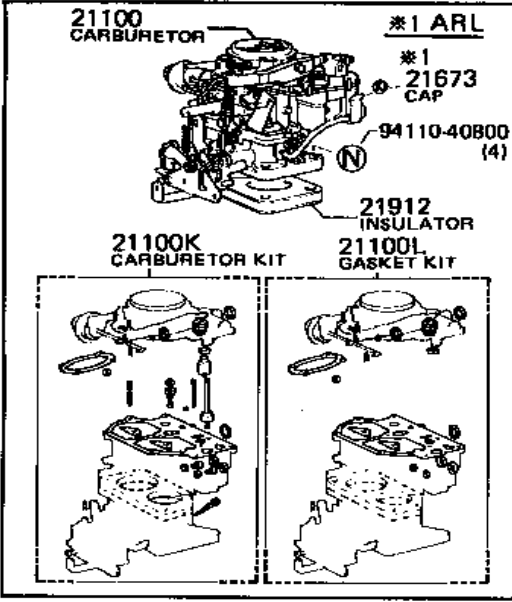
12 V 1.0 KW

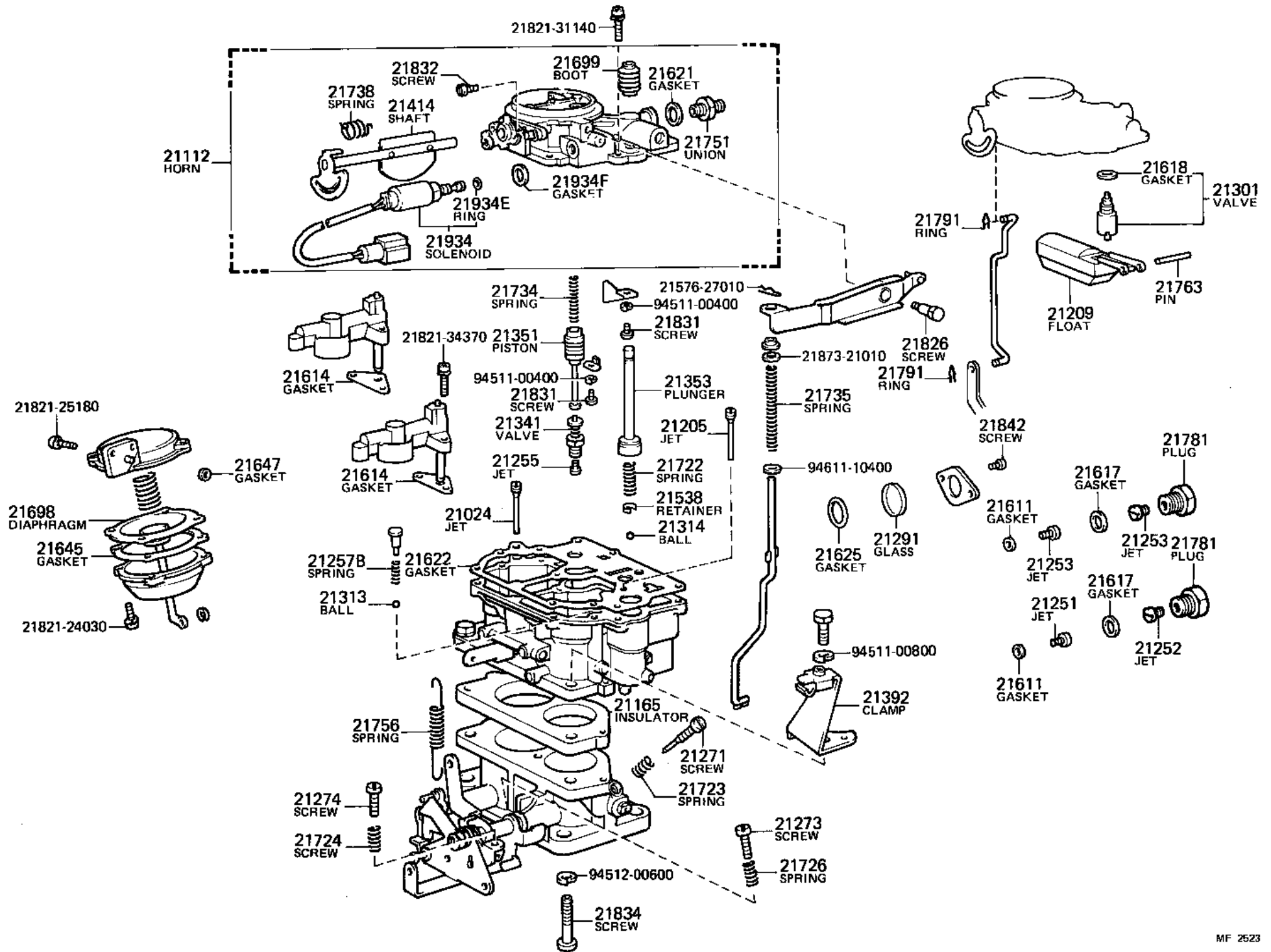




2F

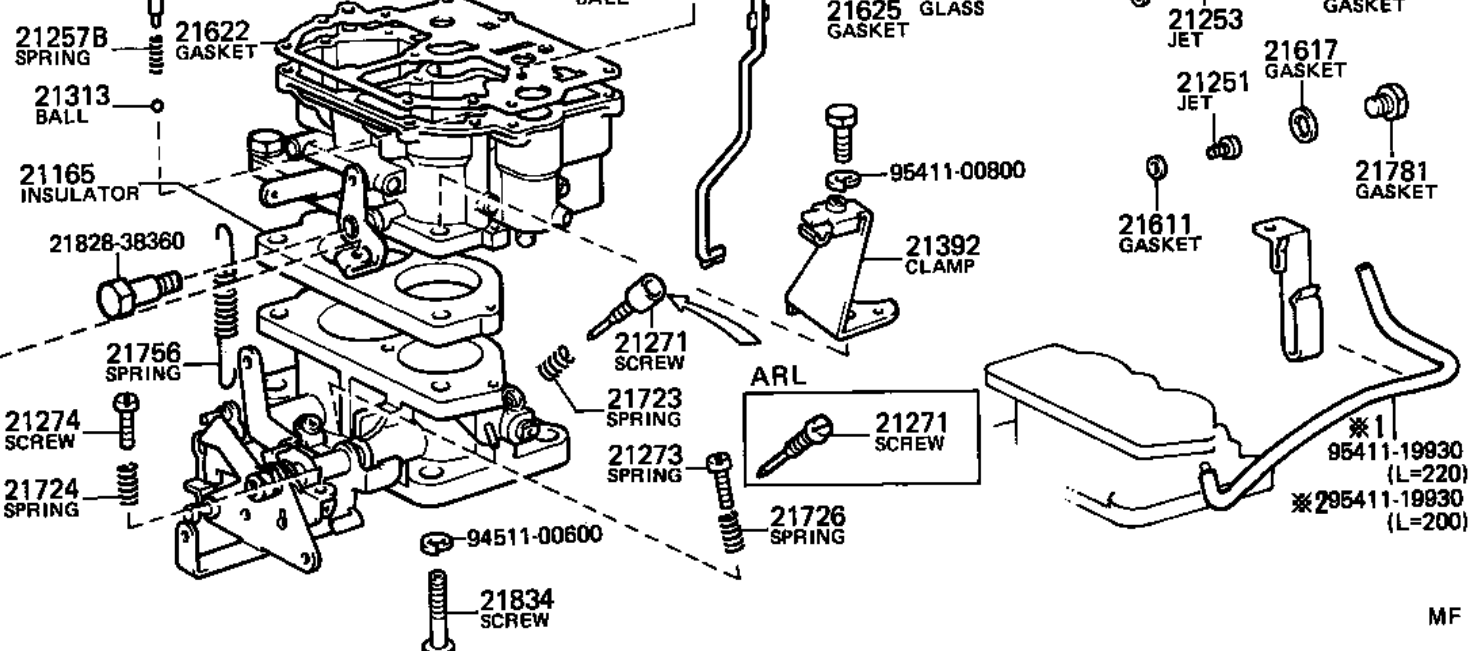
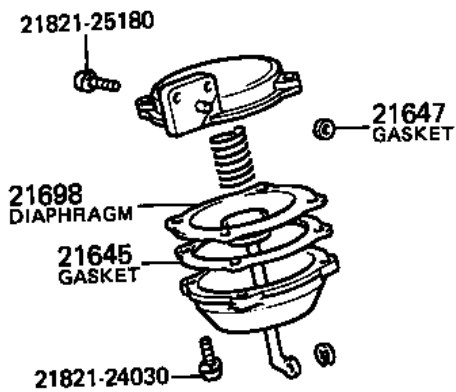
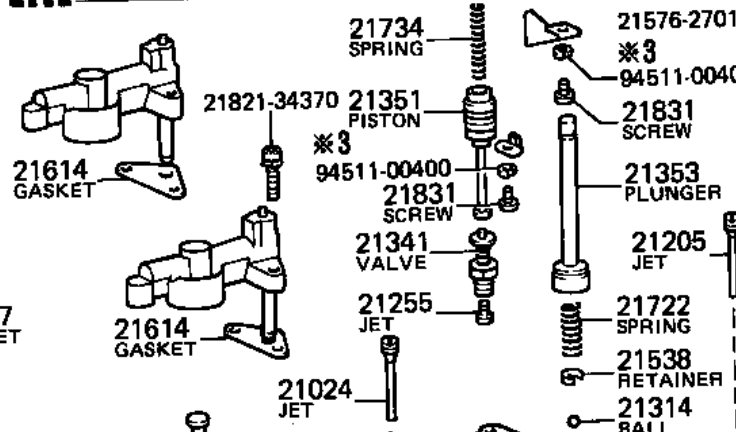
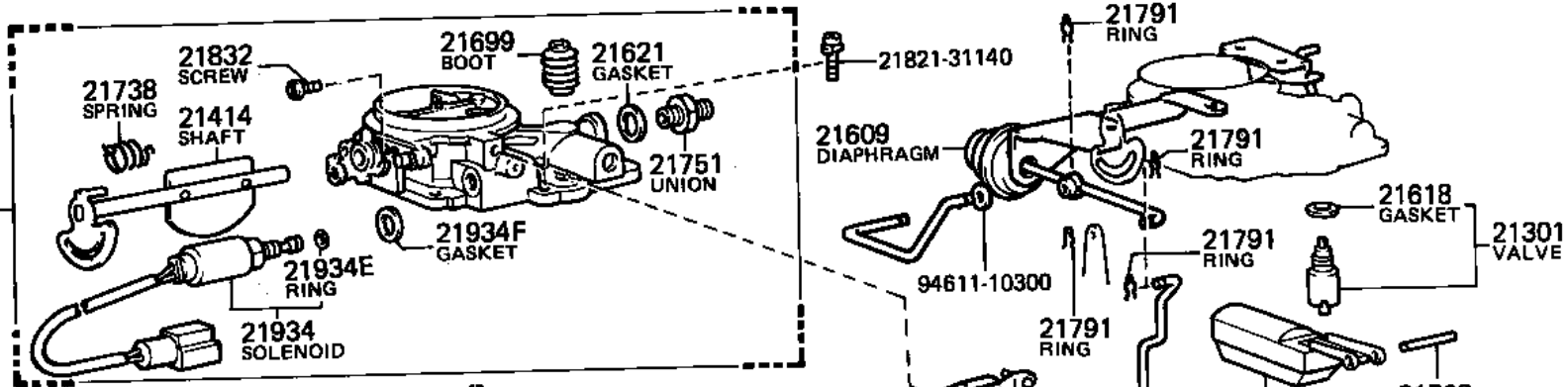
(-8309) NSW
(8401-) VICTORIA SPEC





(8401-) SAUDI ARABIA SPEC
 (-8202) HONG KONG SPEC
 ARL, EUR

21112
 HORN



*1 ARL
 *2 EUR
 (8401-) SAUDI ARABIA SPEC
 *3 ARL, EUR
 (-8202) HONG KONG SPEC

23100
PUMP

23100C
INSULATOR

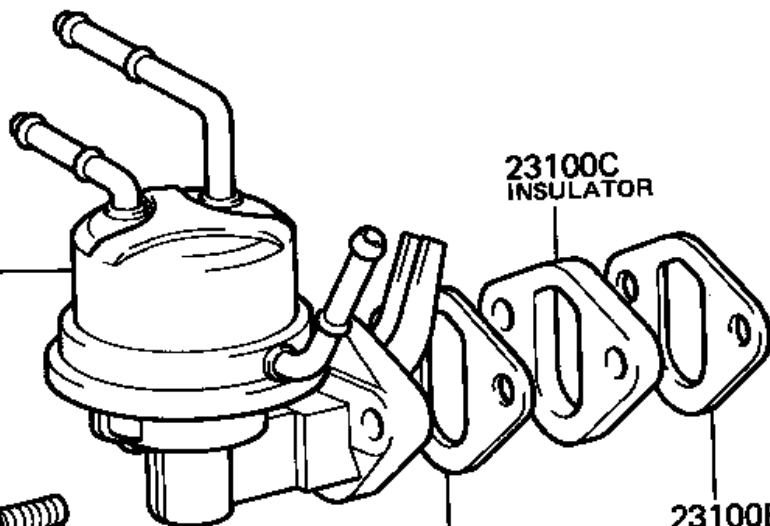


90119-08522

23100B
GASKET

23100B
GASKET

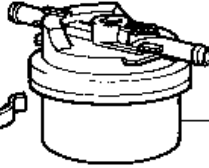
MF 3590



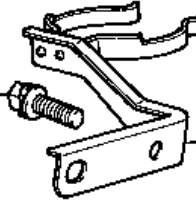
23931
COVER



23300
FILTER



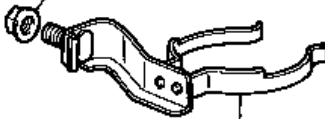
91656-40816



23921
SUPPORT

GEN, ARL W/COOLER

90179-08017



23921
SUPPORT

LARGE TYPE

23300
FILTER



MF 2531-B