

ACCELERATOR CONTROL, FUEL & EXHAUST SYSTEMS

SECTION FE

GI

MA

EM

LC

EC

FE

CONTENTS

| | | | | |
|---|---|---------------------------------------|---|----|
| PREPARATION | 2 | FUEL SYSTEM | 4 | CL |
| Special Service Tool | 2 | Removal and Installation | 4 | |
| Commercial Service Tool | 2 | FUEL TANK | 5 | MT |
| ACCELERATOR CONTROL SYSTEM | 3 | FUEL PUMP AND FUEL LEVEL SENSOR | 7 | |
| Removal and Installation | 3 | EXHAUST SYSTEM | 9 | AT |
| Adjusting Accelerator Wire | 3 | Removal and Installation | 9 | |

TF

PD

AX

SU

BR

ST

RS

BT

HA

SC

EL

IDX

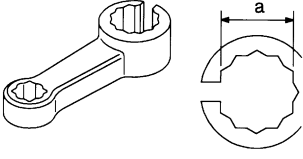
PREPARATION

Special Service Tool

Special Service Tool

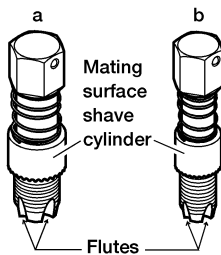
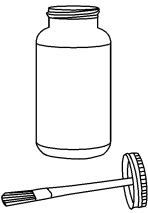
NGFE0001

The actual shapes of Kent-Moore tools may differ from those of special service tools illustrated here.

| Tool number (Kent-Moore No.) Tool name | Description |
|---|---|
| KV10114400 (J38365) Heated oxygen sensor wrench |  <p data-bbox="1031 352 1445 436">Loosening or tightening rear heated oxygen sensor a: 22 mm (0.87 in)</p> <p data-bbox="402 525 462 546">NT636</p> |

Commercial Service Tool

NGFE0007

| Tool name | Description |
|---|---|
| (J-43897-18) (J-43897-12) Oxygen sensor thread cleaner |  <p data-bbox="1039 1012 1461 1234">Reconditioning the exhaust system threads before installing a new oxygen sensor. Use with anti-seize lubricant shown in Commercial Service Tools. a: J-43897-18 18mm diameter, for Zirconia Oxygen Sensor b: J-43897-12 12mm diameter, for Titania Oxygen Sensor</p> <p data-bbox="430 1291 503 1312">AEM488</p> |
| Anti-seize lubricant Permatex™ 133AR or equivalent meeting MIL specification MIL-A-907 |  <p data-bbox="1039 1327 1469 1411">Lubricating oxygen sensor thread cleaning tool when reconditioning exhaust system threads.</p> <p data-bbox="430 1606 503 1627">AEM489</p> |

ACCELERATOR CONTROL SYSTEM

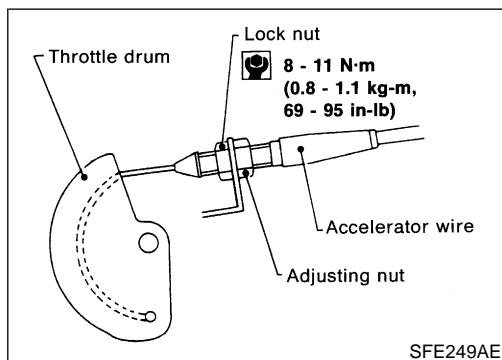
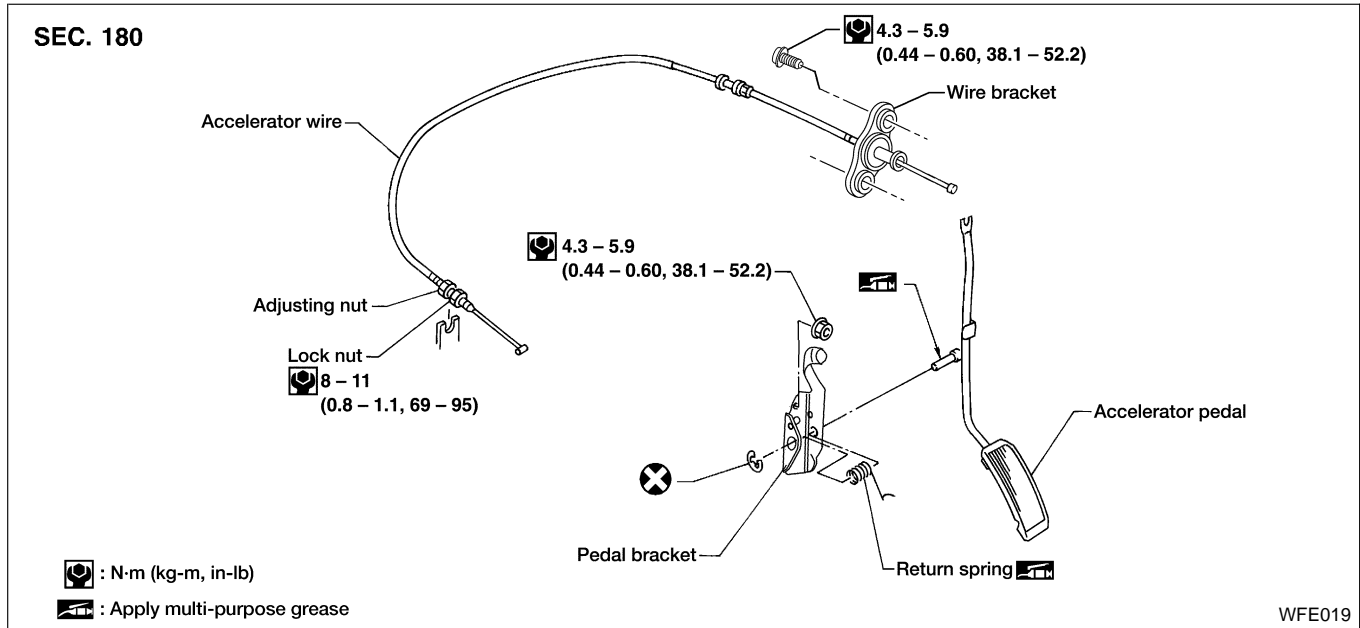
Removal and Installation

Removal and Installation

NGFE0002

CAUTION:

- When removing accelerator wire, make a mark to indicate lock nut's initial position.
- Check that throttle valve opens fully when accelerator pedal is fully depressed. Also check that it returns to idle position when pedal is released.
- Check accelerator control parts for improper contact with any adjacent parts.
- When connecting accelerator wire, be careful not to twist or scratch its inner wire.
- Refer to *EL-174*, "ASCD Wire Adjustment".



Adjusting Accelerator Wire

NGFE0003

NOTE:

Adjust accelerator wire with the engine warmed up to normal operating temperature and ignition switch turned to OFF.

1. Loosen lock nut, and tighten adjusting nut until throttle drum starts to move.
2. From that position, turn back adjusting nut 1.5 to 2 turns, and secure lock nut.

GI
MA
EM
LC
EC
FE
CL
MT
AT
TF
PD
AX
SU
BR
ST
RS
BT
HA
SC
EL
IDX

Removal and Installation

NGFE0004

WARNING:

When replacing fuel line parts, be sure to observe the following:

- Put a “CAUTION: INFLAMMABLE” sign in workshop.
- Do not smoke while servicing fuel system. Keep open flames and sparks away from work area.
- Be sure to furnish the workshop with a CO₂ fire extinguisher.

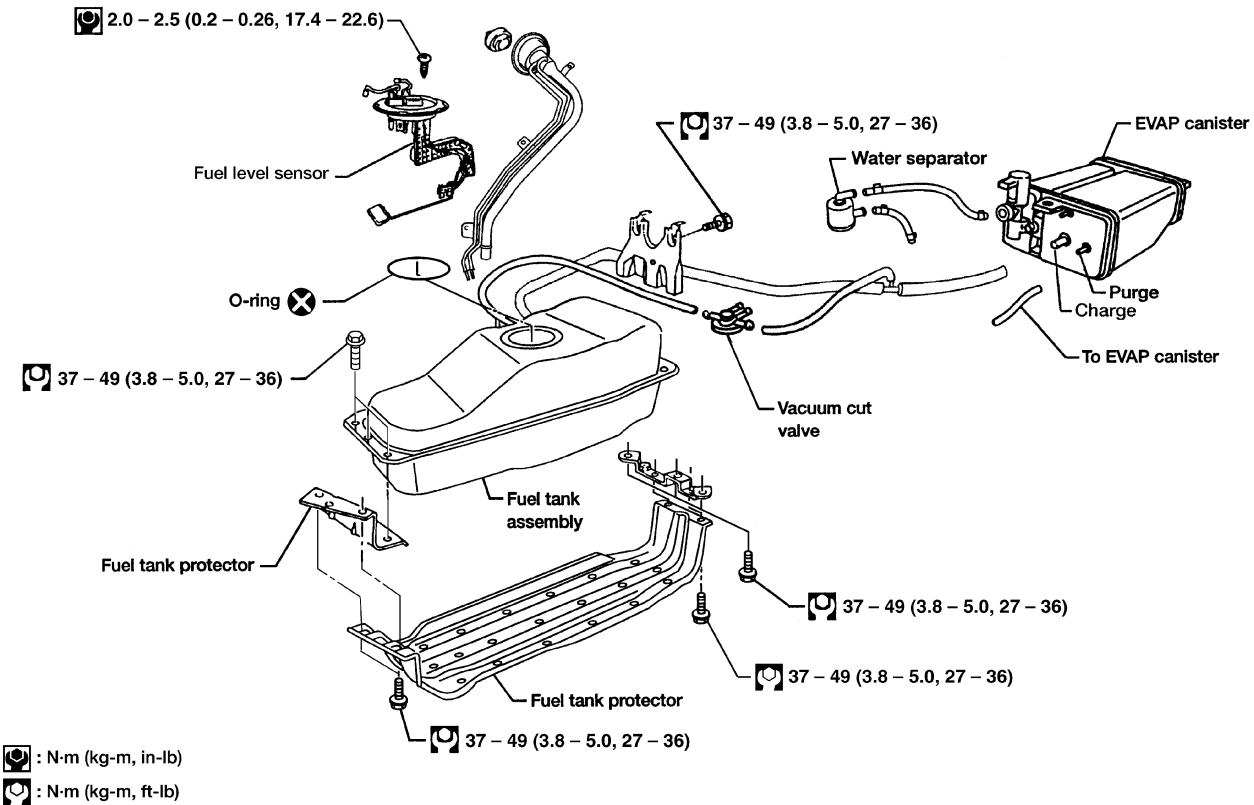
CAUTION:

- Before removing fuel line parts, carry out the following procedures:
 - a) Put drained fuel in an explosion-proof container and put lid on securely.
 - b) Release fuel pressure from fuel line. Refer to *EC-57* (KA24DE), *EC-644* (VG33E), *EC-1217* (VG33ER) “Fuel Pressure Release”.
 - c) Disconnect battery ground cable.
 - Remove quick connectors with commercial service tool.
 - Always replace O-ring with a new one.
 - Do not kink or twist hoses and tubes when installed.
 - Do not tighten hose clamps excessively to avoid damaging hoses.
 - Perform an inspection and installation of EVAP system parts as necessary. Refer to *EC-40* (KA24DE), *EC-626* (VG33E), *EC-1199* (VG33ER), “Evaporative Emission System”.
 - For inspection and installation of ORVR system parts, refer to *EC-45* (KA24DE), *EC-632* (VG33E), *EC-1205* (VG33ER), “On-Board Refueling Vapor Recovery (ORVR)”.
 - After installation, run engine and check for fuel leaks at connections.
 - Use only a genuine NISSAN fuel filler cap as a replacement. If an incorrect fuel filler cap is used, the MIL may come on.

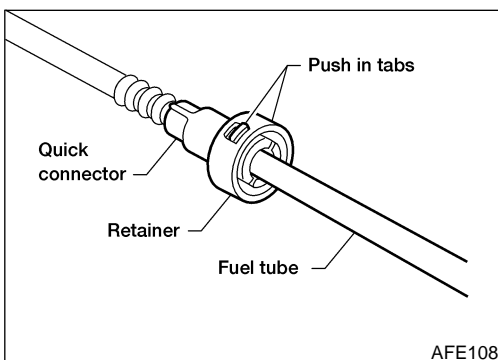
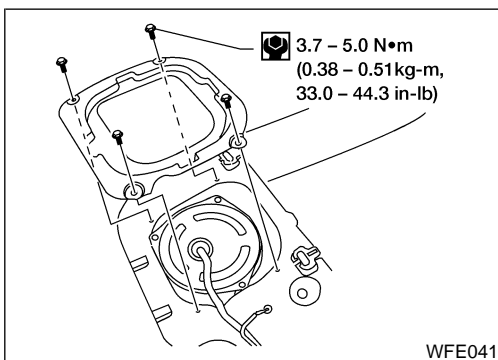
FUEL SYSTEM

Removal and Installation (Cont'd)

SEC. 172



WFE023



FUEL TANK

NGFE0004S01

1. Release fuel pressure from fuel line. Refer to **EC-57**(KA24DE), **EC-644**(VG33E), **EC-1217**(VG33ER), "Fuel Pressure Release".
2. Disconnect battery ground cable.
3. Remove back seat bottom. Refer to **BT-38**, "Removal and Installation".
4. Remove inspection hole cover located under rear seat.
5. Drain fuel from fuel tank.
6. Disconnect electrical connectors.
7. Remove filler protector.
8. Remove the quick connectors as follows.
 - 1) Put mating marks on the connectors for correct installation.
 - 2) Hold the sides of the connector, push in tabs, and pull out the tube inserted in the retainer.

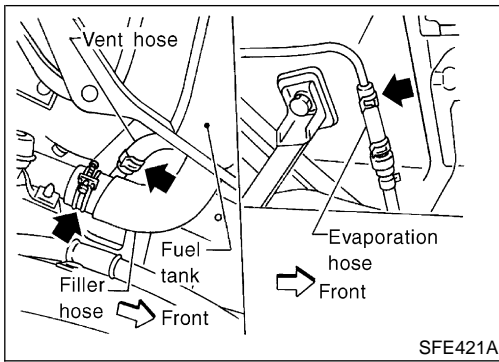
CAUTION:

- The tube can be removed when the push in tabs are completely depressed.
- Do not use any tools to remove the quick connector.
- Keep the connecting portions of the tubes and quick connectors clean.

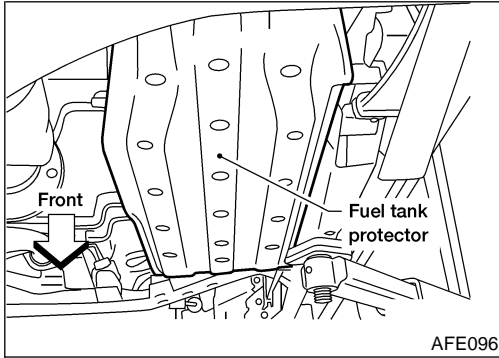
GI
MA
EM
LC
EC
FE
CL
MT
AT
TF
PD
AX
SU
BR
ST
RS
BT
HA
SC
EL
IDX

FUEL SYSTEM

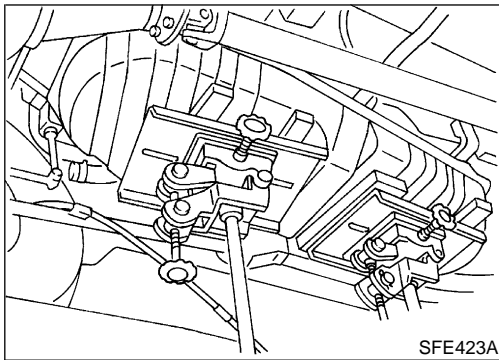
Removal and Installation (Cont'd)



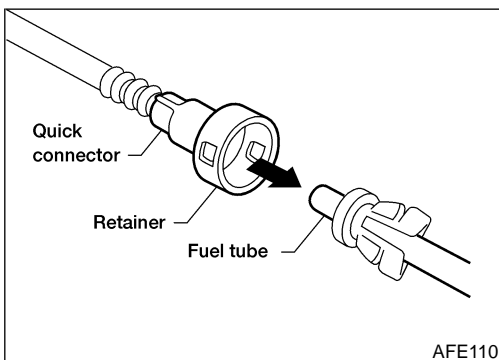
9. Disconnect filler hose, vent and evaporation hose at fuel tank side.



10. Remove fuel tank protector.

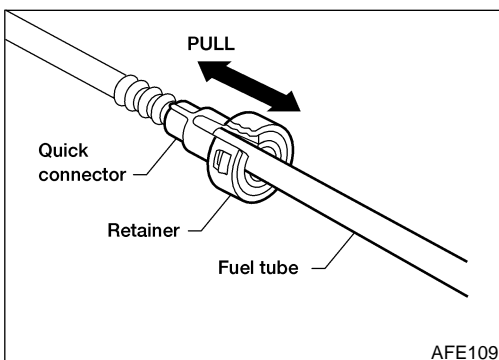


11. Remove fuel tank mounting bolts while supporting fuel tank.
12. Remove fuel tank.



To install, reverse the removal procedure. Connect the quick connectors as follows.

- Make sure the connectors are clean and undamaged.
- Align push in tabs with retainer openings.
- Insert tube into the center of the connector until you hear a click.



After connecting quick connectors, make sure the connection is fully seated and locked in place as follows:

- Pull on the fuel tube and connector to make sure they are properly connected.
- Start the engine, increase engine speed and verify that there are no leaks.

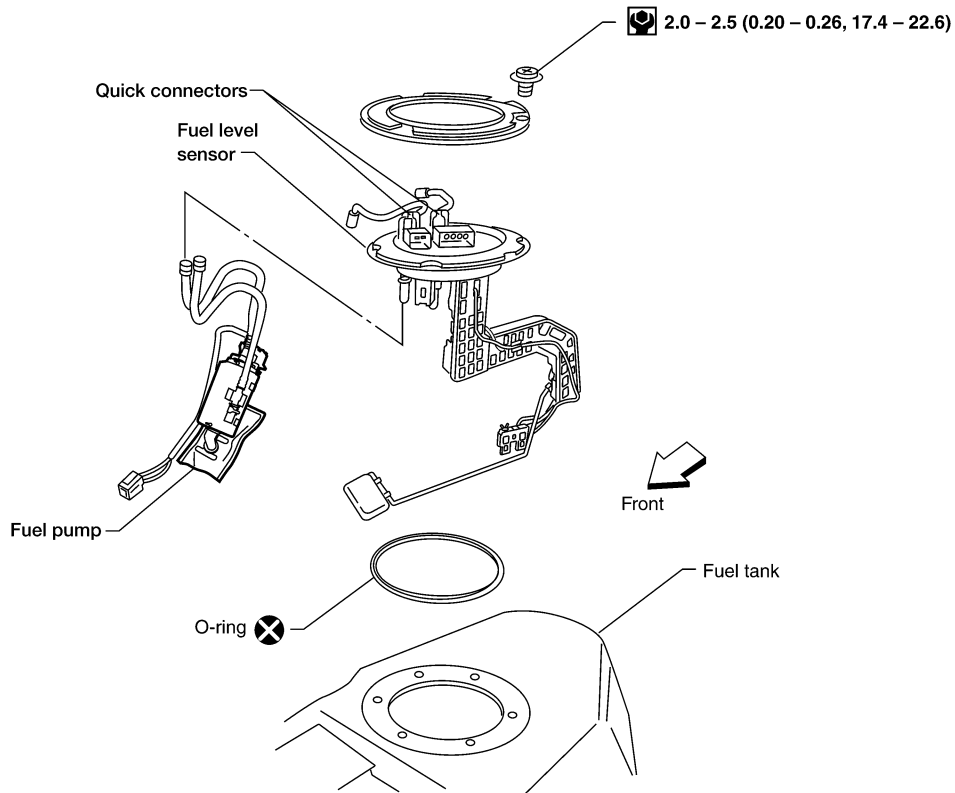
FUEL SYSTEM

Removal and Installation (Cont'd)

FUEL PUMP AND FUEL LEVEL SENSOR

NGFE0004S02

SEC. 172



: N·m (kg-m, in-lb)

WFE024

GI

MA

EM

LC

EC

FE

CL

MT

AT

TF

PD

AX

SU

BR

ST

RS

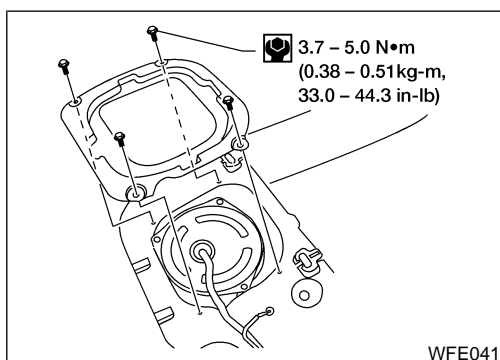
BT

HA

SC

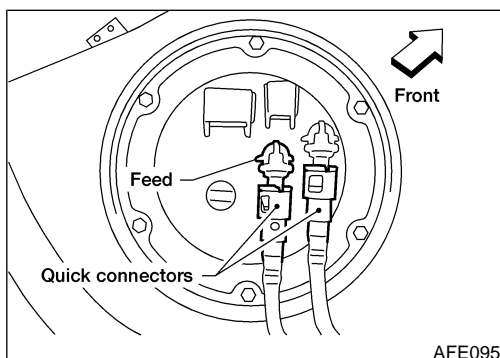
EL

IDX



WFE041

1. Release fuel pressure from fuel line. Refer to **EC-57**(KA24DE), **EC-644**(VG33E), **EC-1217**(VG33ER), "Fuel Pressure Release".
2. Disconnect battery ground cable.
3. Remove back seat bottom. Refer to **BT-38**, "Removal and Installation".
4. Remove inspection hole cover located under rear seat.
5. Disconnect electrical connectors.



AFE095

6. Remove the quick connectors as follows.
 - 1) Put mating marks on the connectors for correct installation.
 - 2) Hold the sides of the connector, push in tabs, and pull out the tube inserted in the retainer.

CAUTION:

- The tube can be removed when the push in tabs are completely depressed.
- Do not use any tools to remove the quick connector.
- Keep the connecting portions of the tubes and quick connectors clean.

7. Remove the six screws.

FUEL SYSTEM


Removal and Installation (Cont'd)

8. Remove fuel level sensor retainer and fuel level sensor.
9. Remove fuel pump with bracket while lifting the pawl of the fuel pump bracket upward.
10. Remove fuel level sensor assembly.

Installation procedure is the reverse order of removal.

- Install fuel level sensor as shown.

CAUTION:

- **Tighten bolts to specified torque.**
 -  : 2.0 - 2.5 N·m (0.20 - 0.26 kg·m, 17.4 - 22.6 in-lb)
- Always replace O-ring with a new one.
- Make sure the connectors are clean and undamaged.
- After installation, run engine and check for leaks at connections.

Removal and Installation

NGFE0005

CAUTION:

- Always replace exhaust gaskets with new ones when reassembling.
- With engine running, check all tube connections for exhaust gas leaks, and entire system for unusual noises.
- Check to ensure that mounting brackets and mounting insulators are installed properly and free from undue stress. Improper installation could result in excessive noise or vibration.
- Discard any heated oxygen sensor which has been dropped from a height of more than 0.5 m (19.7 in) onto a hard surface such as a concrete floor; use a new one.
- Before installing new oxygen sensor, clean exhaust system threads using Oxygen Sensor Thread Cleaner tool J-43897-18 or J-43897-12 and approved anti-seize lubricant.
- Do not over-torque the oxygen sensor. Doing so may cause damage to the oxygen sensor, resulting in the MIL coming on.

GI

MA

EM

LC

EC

FE

CL

MT

AT

TF

PD

AX

SU

BR

ST

RS

BT

HA

SC

EL

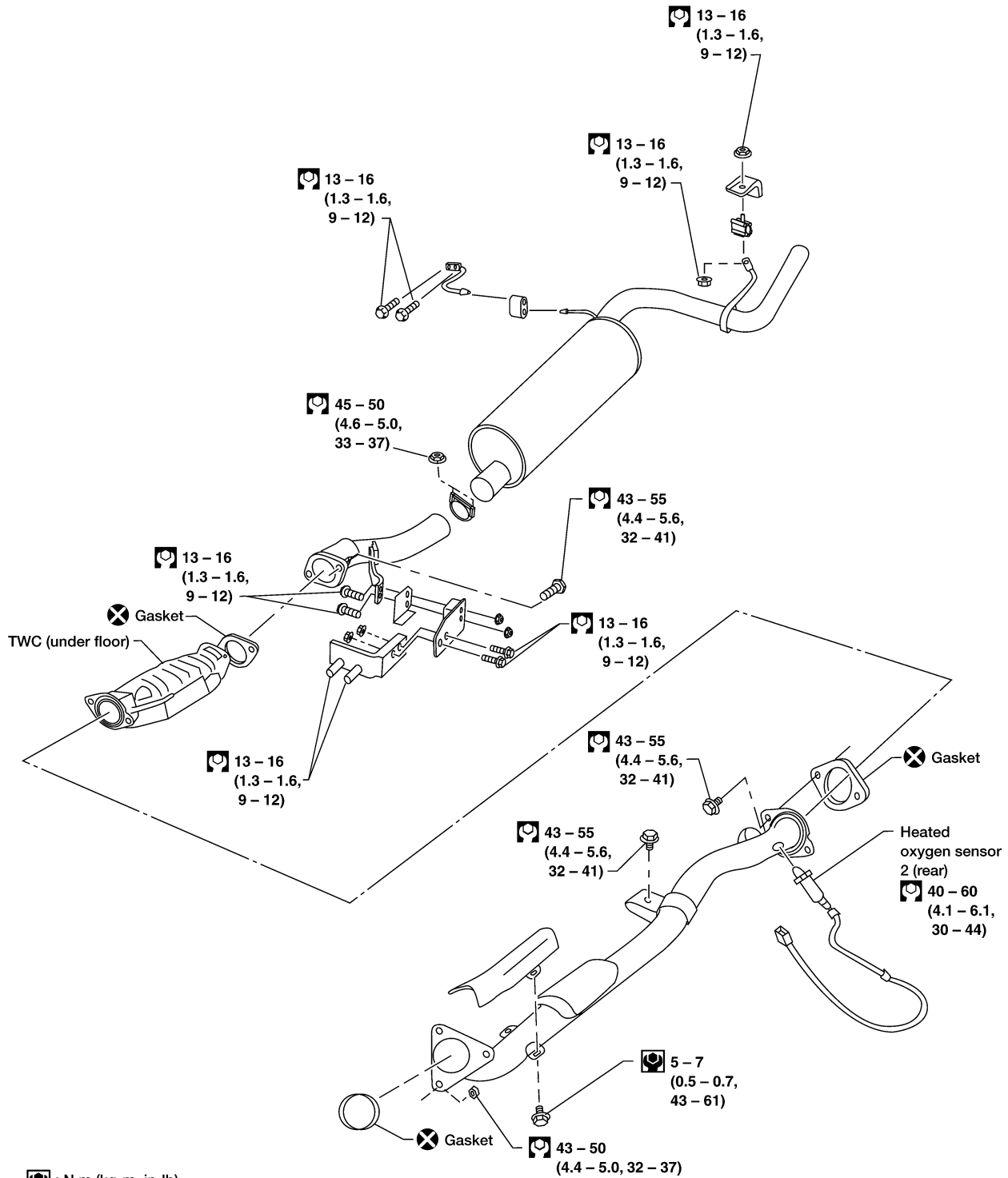
IDX

EXHAUST SYSTEM

Removal and Installation (Cont'd)

KA24DE Models

SEC. 200



: N·m (kg·m, in·lb)

: N·m (kg·m, ft·lb)

: Always replace after every disassembly.

WFE052

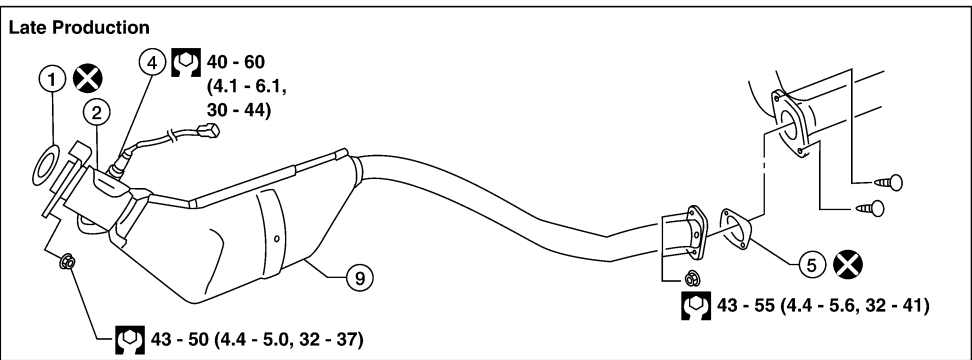
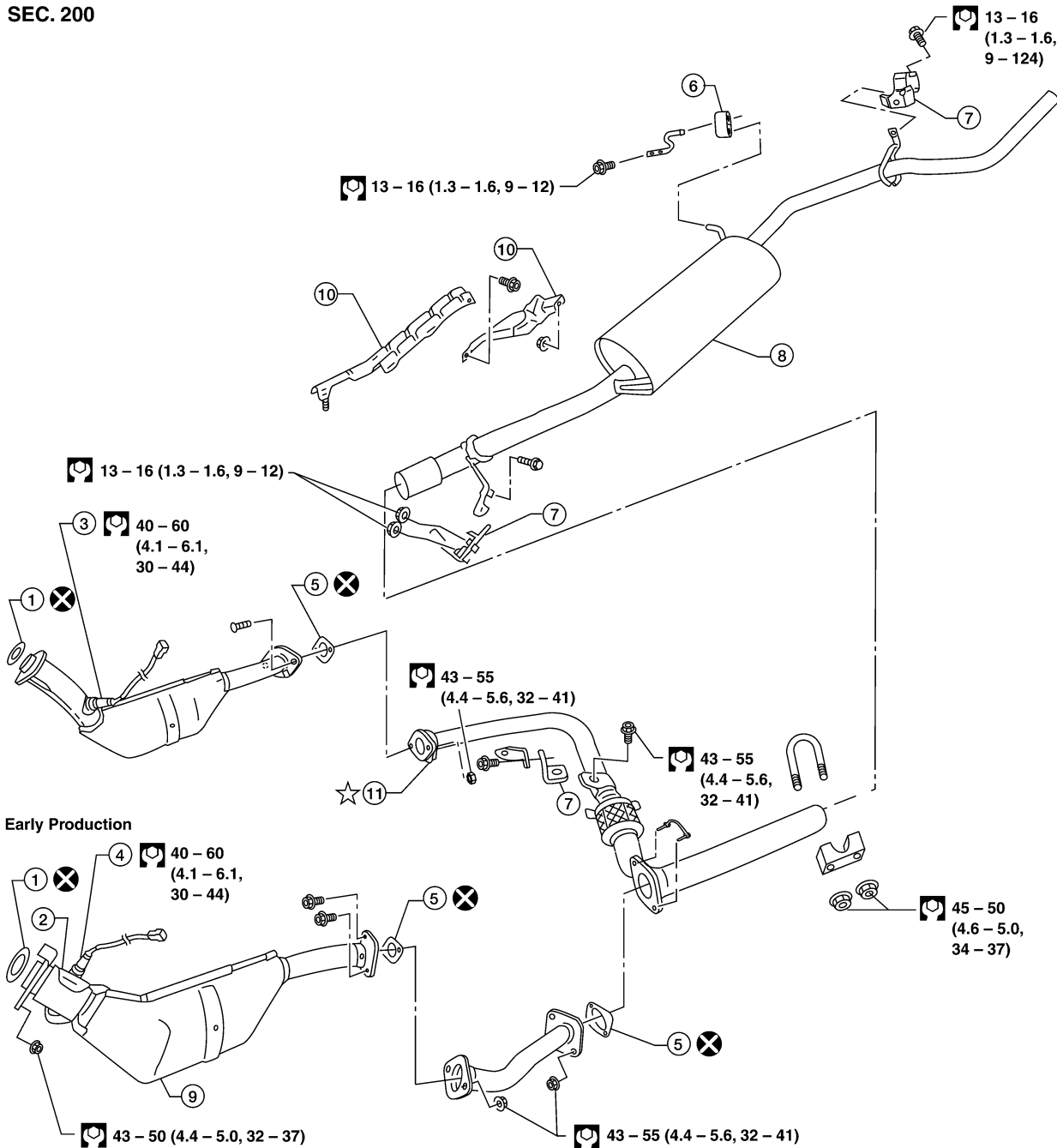
EXHAUST SYSTEM

Removal and Installation (Cont'd)

VG33E 2WD Models

SEC. 200

GI
MA
EM
LC
EC
FE
CL
MT
AT
TF
PD
AX
SU
BR
ST
RS
BT
HA
SC
EL
IDX



- : N·m (kg-m, in-lb)
- : N·m (kg-m, ft-lb)
- ☆ : If equipped.
- : Always replace after every disassembly.

EXHAUST SYSTEM

Removal and Installation (Cont'd)

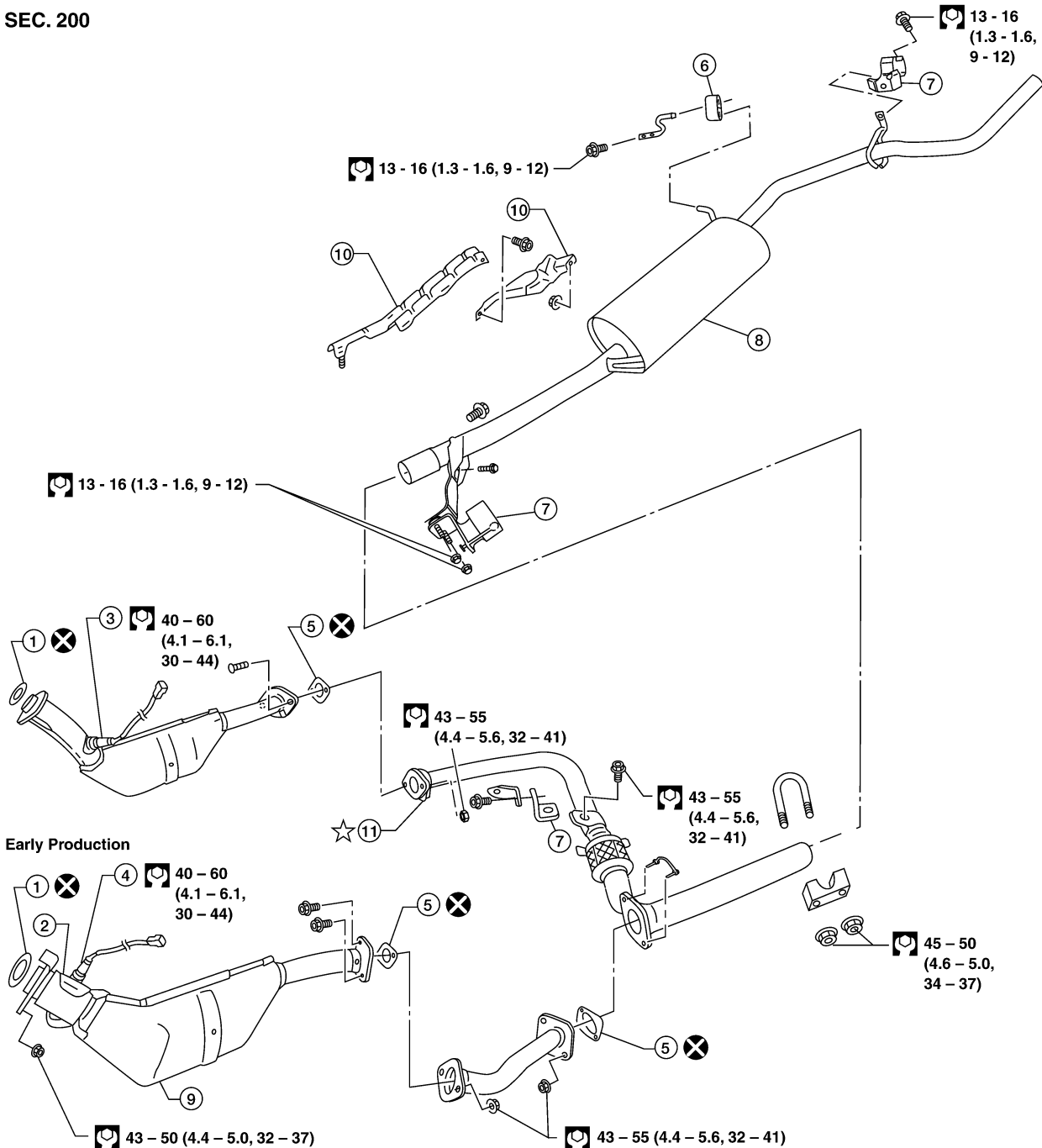
- | | | |
|--|---------------------|----------------------------|
| 1. Gasket | 5. Gasket | 9. TWC (under floor) |
| 2. Front tube | 6. Mounting rubber | 10. Heat shield |
| 3. Heated oxygen sensor 2 (rear) (bank 1) | 7. Mounting bracket | 11. Mass damper (A/T only) |
| 4. Heated oxygen sensor 2 (rear) (bank 2) | 8. Center muffler | |

EXHAUST SYSTEM

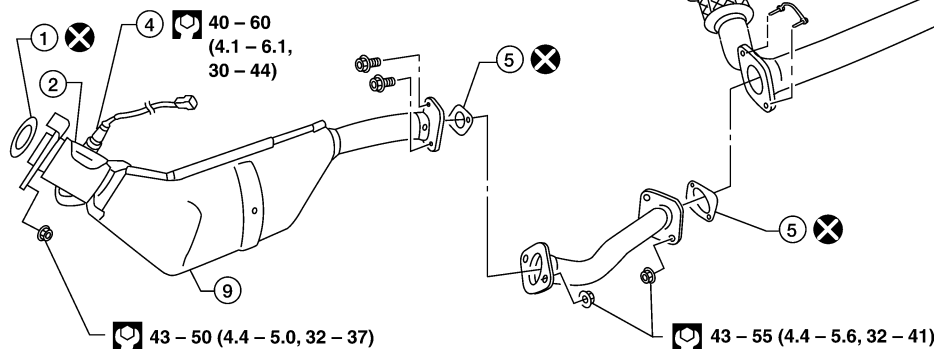
Removal and Installation (Cont'd)

VG33E 4WD Models

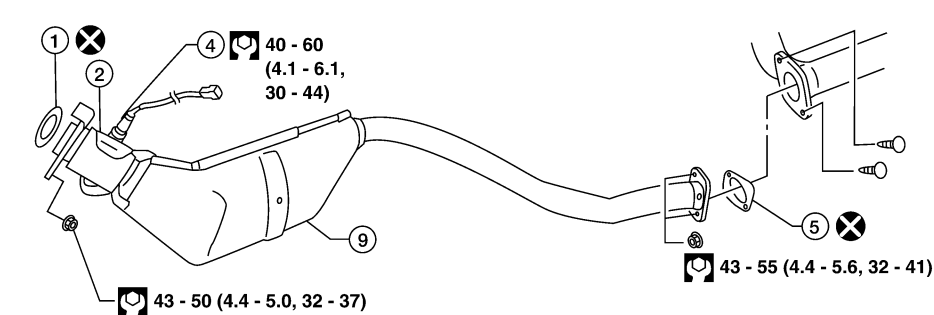
SEC. 200



Early Production



Late Production



- : N-m (kg-m, in-lb)
- : N-m (kg-m, ft-lb)
- ☆ : If equipped.
- ⊗ : Always replace after every disassembly.

GI
MA
EM
LC
EC
FE
CL
MT
AT
TF
PD
AX
SU
BR
ST
RS
BT
HA
SC
EL
IDX

WFE057

EXHAUST SYSTEM

Removal and Installation (Cont'd)

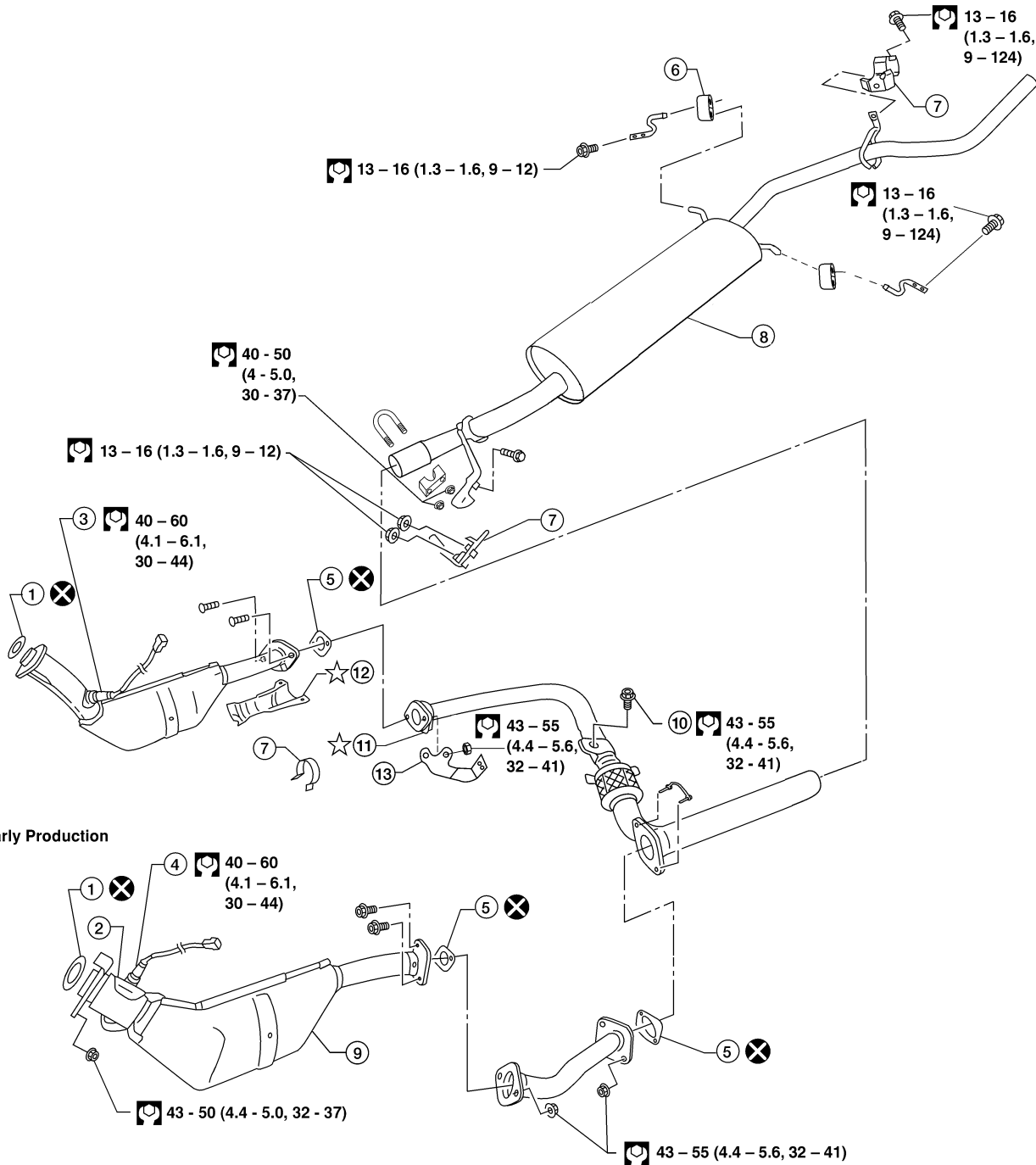
- | | | |
|--|---------------------|----------------------------|
| 1. Gasket | 5. Gasket | 9. TWC (under floor) |
| 2. Front tube | 6. Mounting rubber | 10. Heat shield |
| 3. Heated oxygen sensor 2 (rear) (bank 1) | 7. Mounting bracket | 11. Mass damper (A/T only) |
| 4. Heated oxygen sensor 2 (rear) (bank 2) | 8. Center muffler | |

EXHAUST SYSTEM

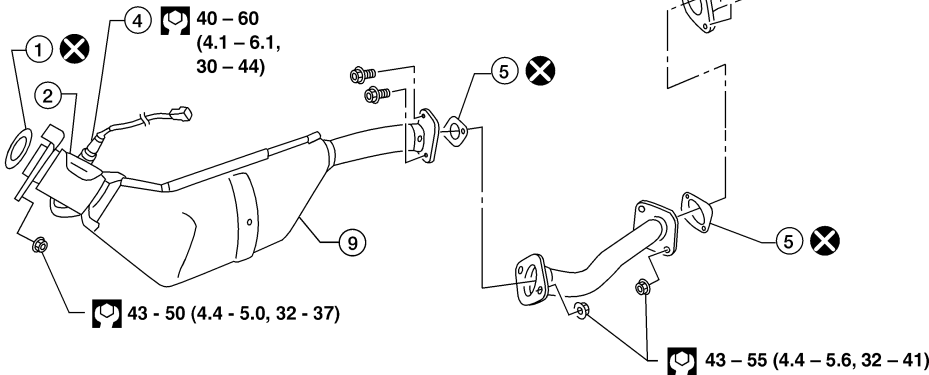
Removal and Installation (Cont'd)

VG33ER Models

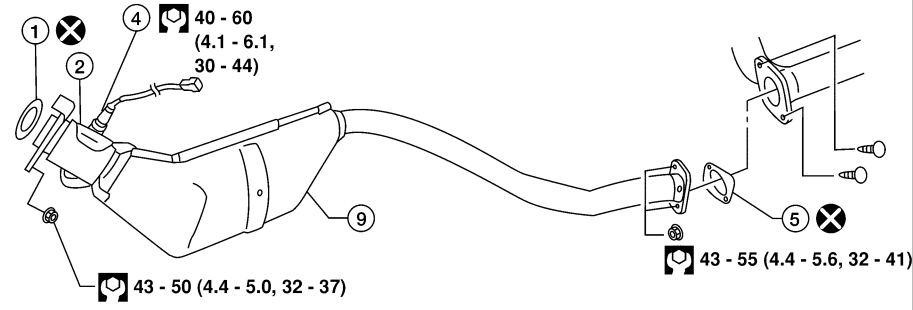
SEC. 200



Early Production



Late Production



: N-m (kg-m, in-lb)

: N-m (kg-m, ft-lb)

☆ : If equipped.

: Always replace after every disassembly.

GI

MA

EM

LC

EC

FE

CL

MT

AT

TF

PD

AX

SU

BR

ST

RS

BT

HA

SC

EL

IDX

WFE053

EXHAUST SYSTEM

Removal and Installation (Cont'd)

- | | | |
|--|----------------------|----------------------------|
| 1. Gasket | 5. Gasket | 10. Mounting bracket (4WD) |
| 2. Front tube | 6. Mounting rubber | 11. Mass damper (A/T only) |
| 3. Heated oxygen sensor 2 (rear) (bank 1) | 7. Mounting bracket | 12. Heat shield |
| 4. Heated oxygen sensor 2 (rear) (bank 2) | 8. Center muffler | 13. Mounting bracket (2WD) |
| | 9. TWC (under floor) | |