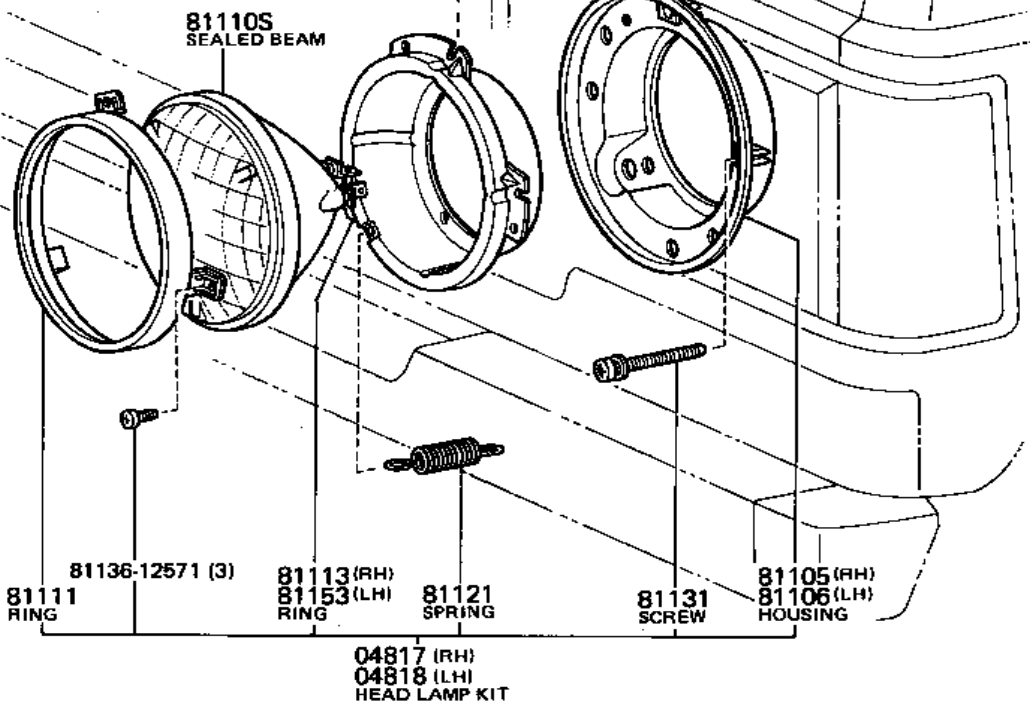


※ 181110 (RH)  
81150 (LH)  
HEAD LAMP

※ 281110 (RH)  
81150 (LH)  
HEAD LAMP

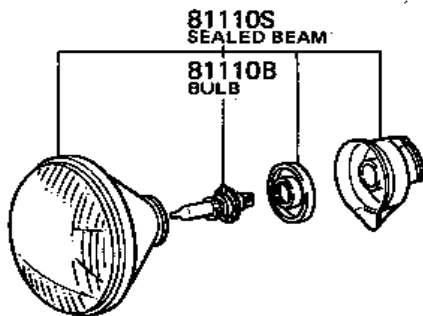
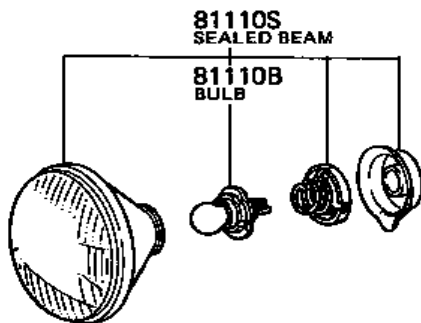
Ⓢ — ※ 1 93311-16012 (3)  
※ 2 93311-16020 (3)

※ 1 (8510- ) LHD, RHD ... ARL, EUR  
※ 2 (8510- ) RHD ... GEN



Semi Sealed Type

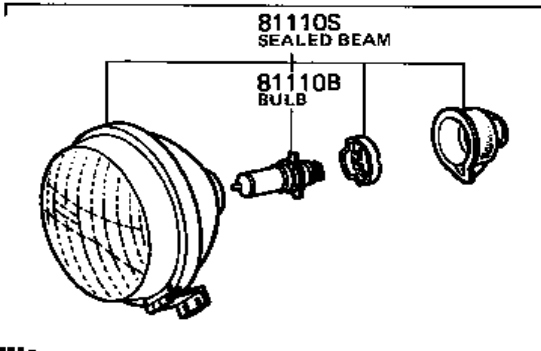
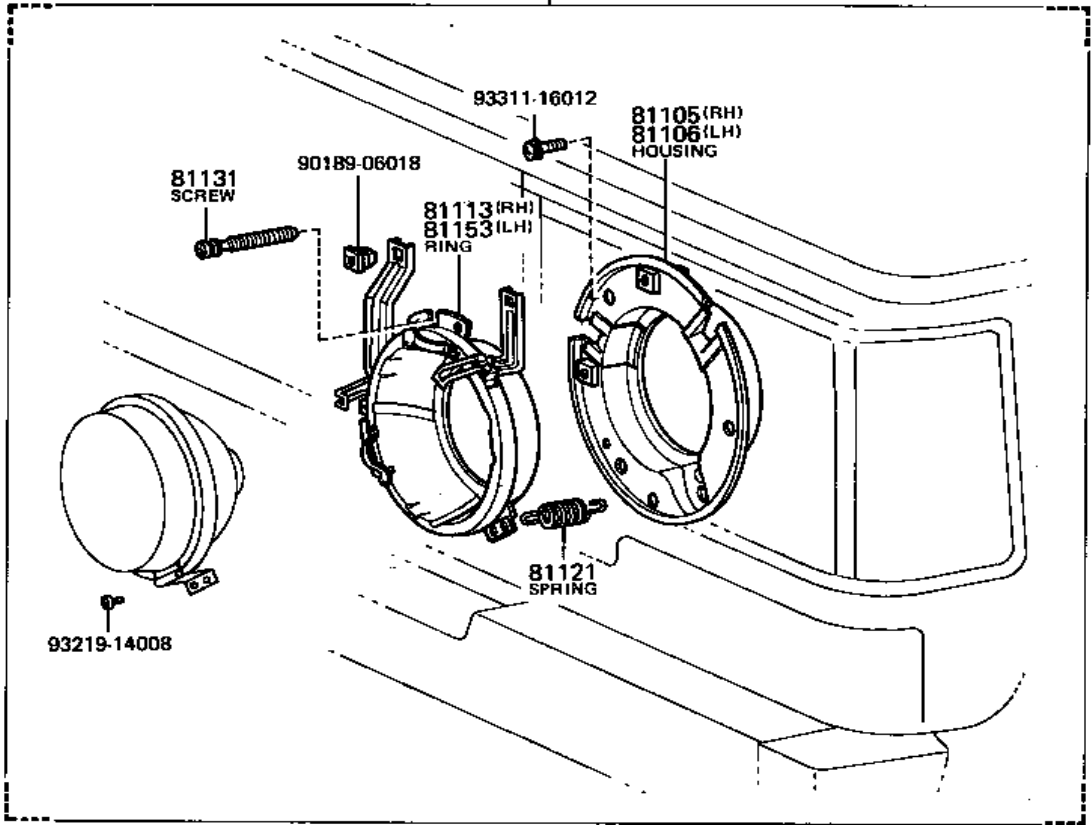
Halogen Type



Detachable Type (Halogen)

81110 (RH)  
81150 (LH)  
HEAD LAMP

04817 (RH)  
04818 (LH)  
HEAD LAMP KIT



81510(RH)  
81520(LH)  
LAMP

90189-05013 (4)

81511(RH)  
81521(LH)  
LENS

81510B  
BULB  
(Turn)

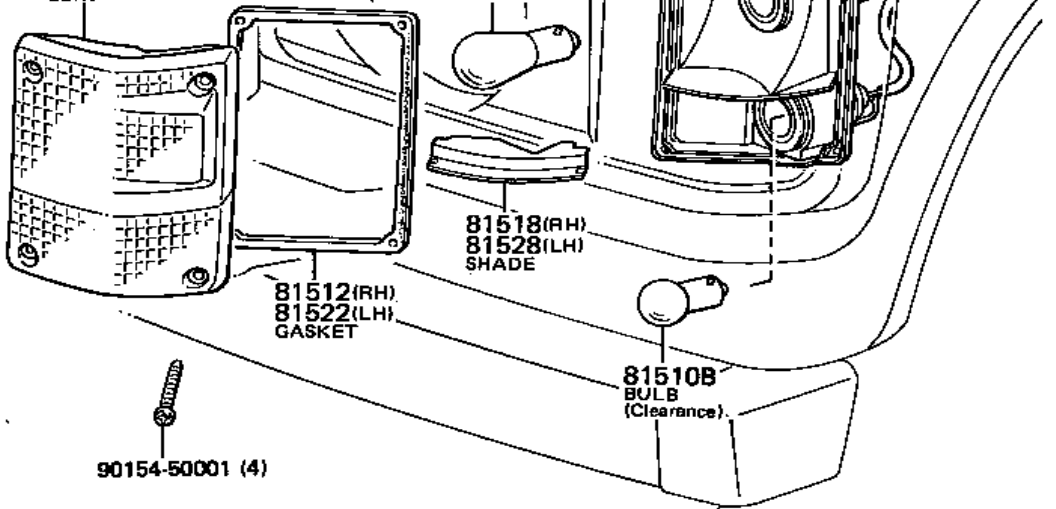
81518(RH)  
81528(LH)  
SHADE

81512(RH)  
81522(LH)  
GASKET

81510B  
BULB  
(Clearance)

90154-50001 (4)

ME G737



\*1 81730 (RH)  
81740 (LH)

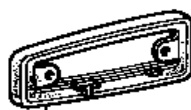
\*1 90189-04014 (2)

\*2 81730 (RH)  
81740 (LH)

\*1 EUR  
\*2 GEN

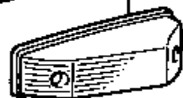
81730B

81738-22061



81732 (RH)  
81742 (LH)

81731 (RH)  
81741 (LH)



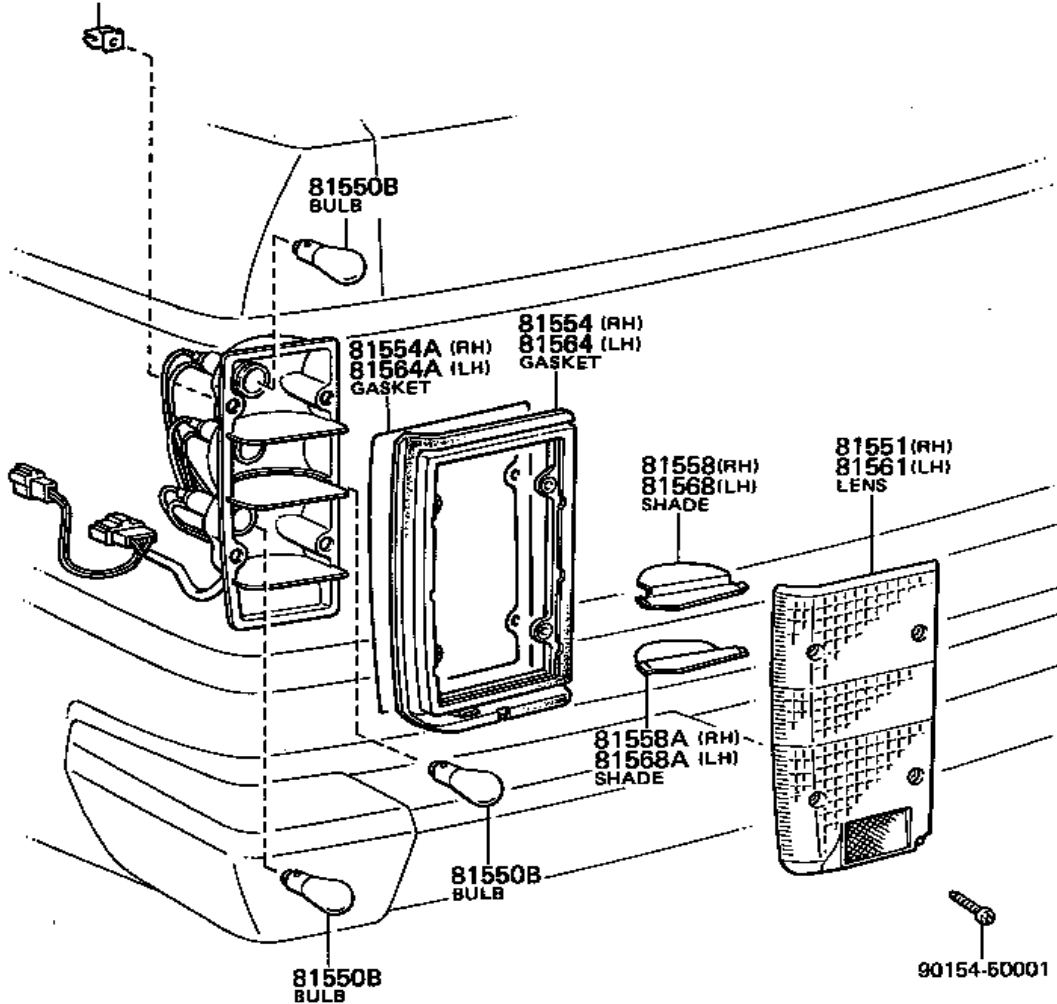
81738-22060



ME 9132-A

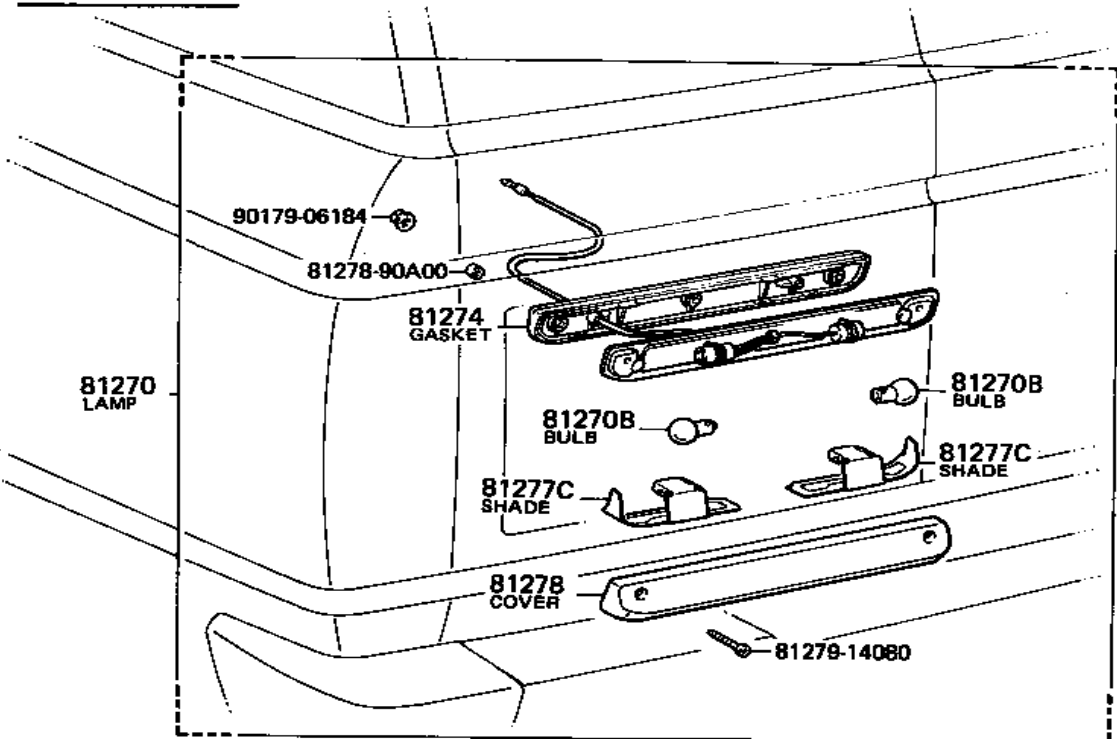
81550(RH)  
81560(ILH)  
LAMP

90189-05013



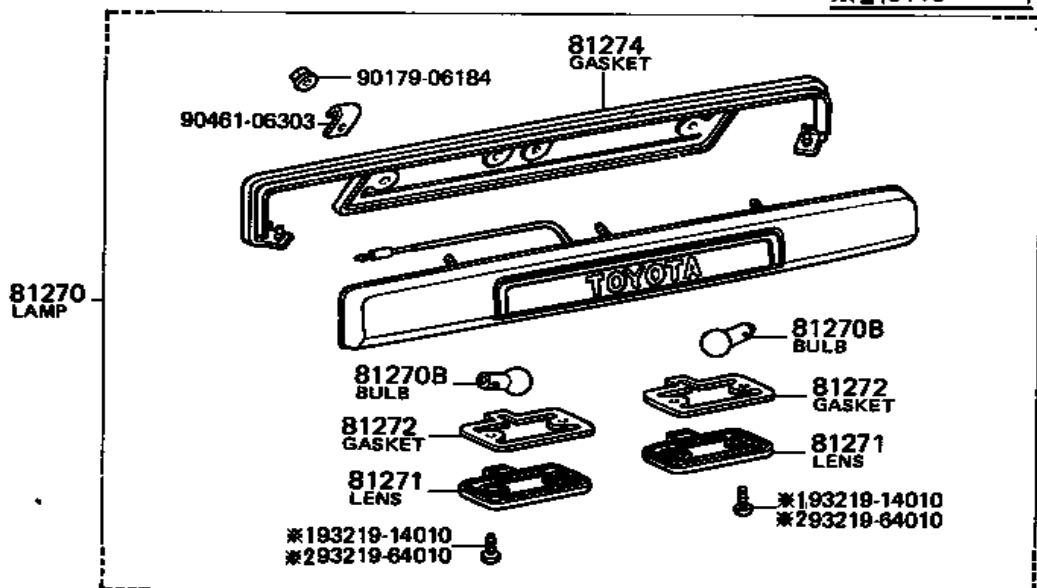
ME 8979-B

SOB +FJ60LVKZ



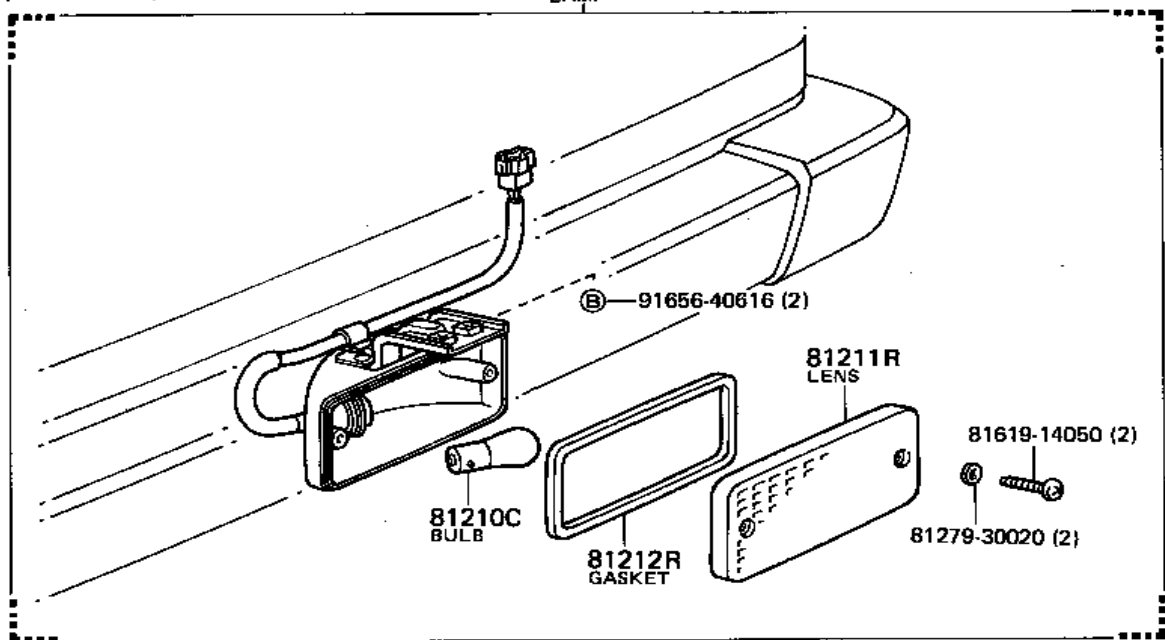
LUB -FJ80LVKZ

※1(8008-8110)  
※2(8110- )



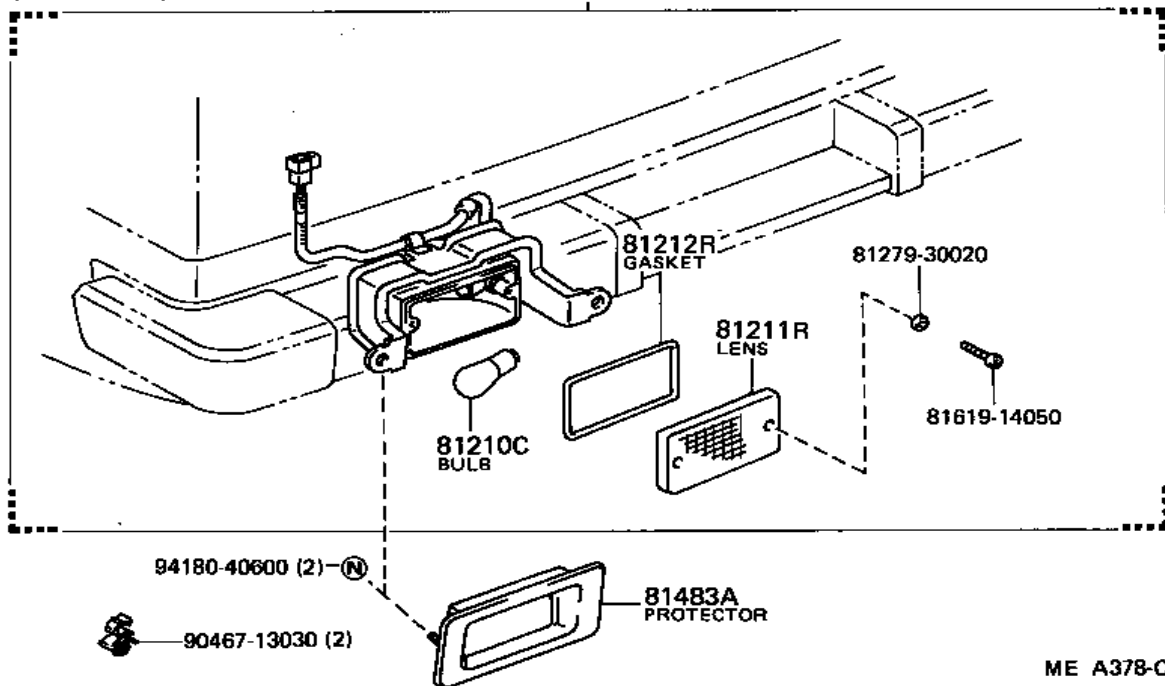
(8103-8411) HJ60 . . RHD . . EUR

81210R  
LAMP



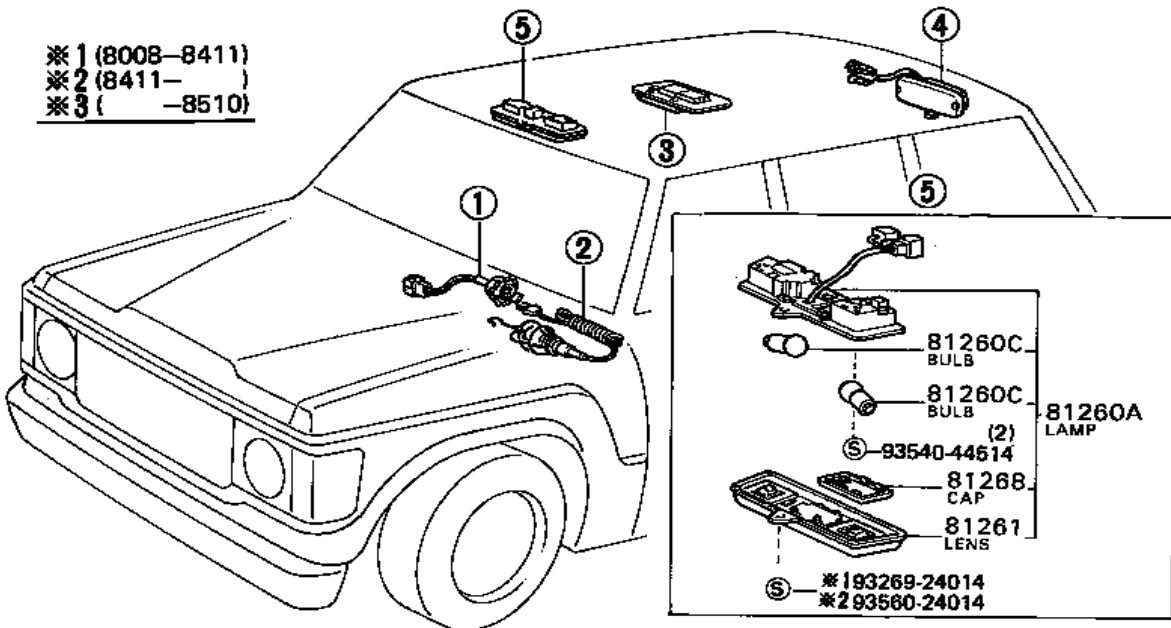
(8411- ) HJ6# . . EUR

81210R  
LAMP



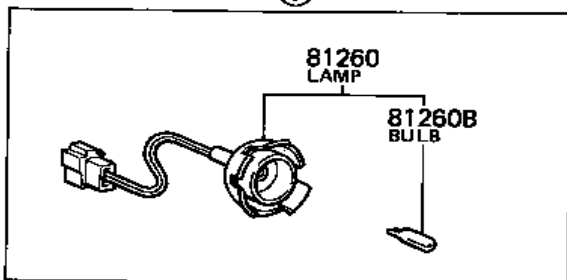
ME A378-C

- \*1 (800B-8411)
- \*2 (8411- )
- \*3 ( -8510)

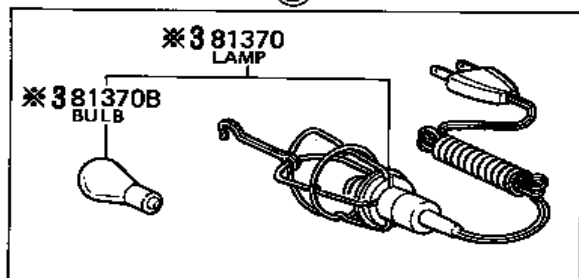


①

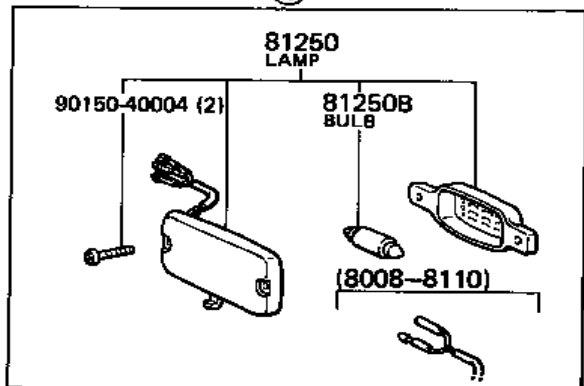
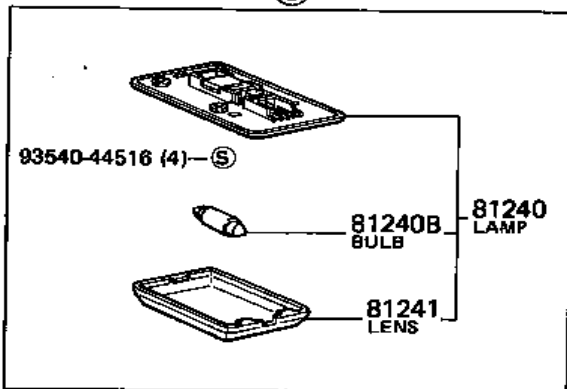
②



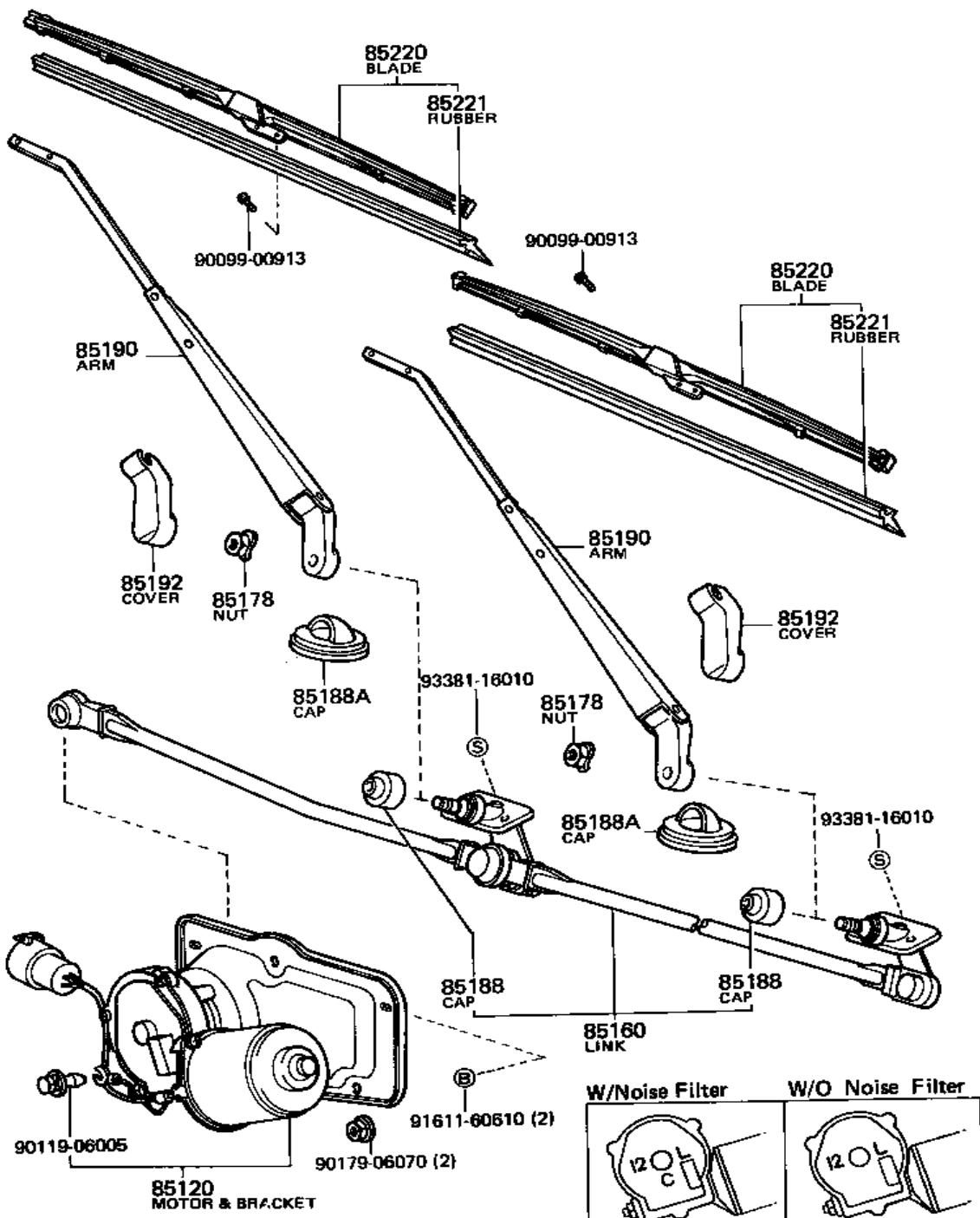
③



④

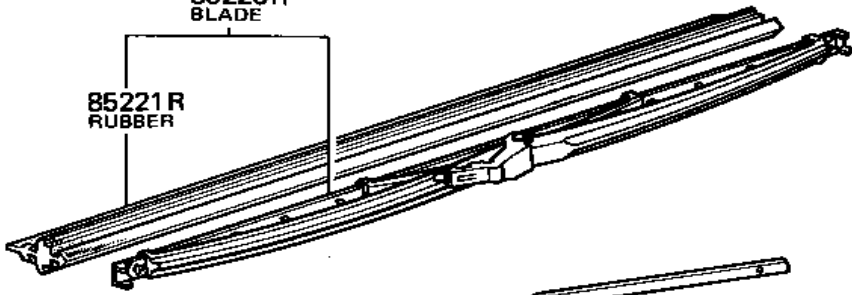






85220R  
BLADE

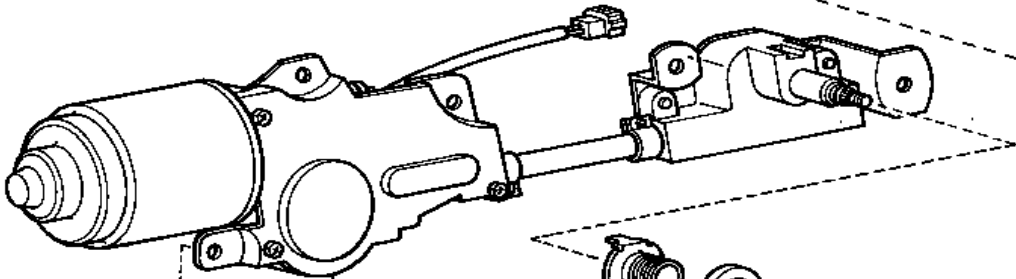
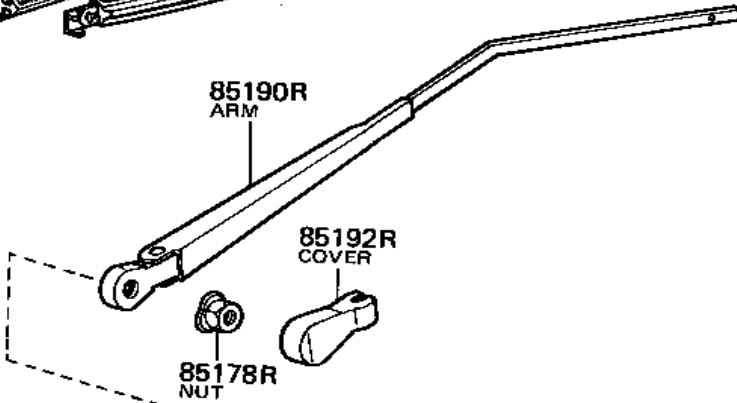
85221R  
RUBBER



85190R  
ARM

85192R  
COVER

85178R  
NUT



91651-40612

85010R  
MOTOR & LINK

85163V  
BUSHING

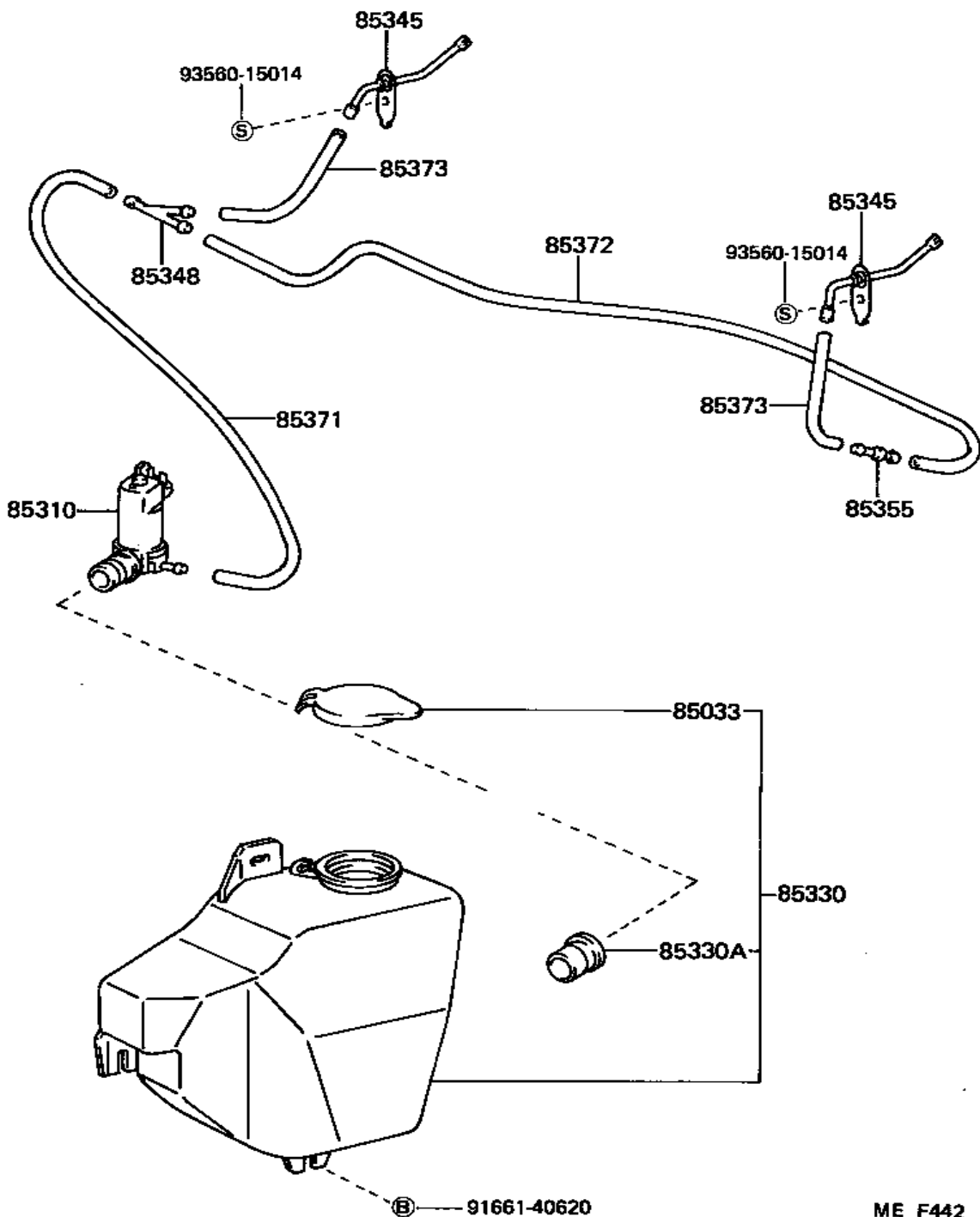
85163R  
PACKING

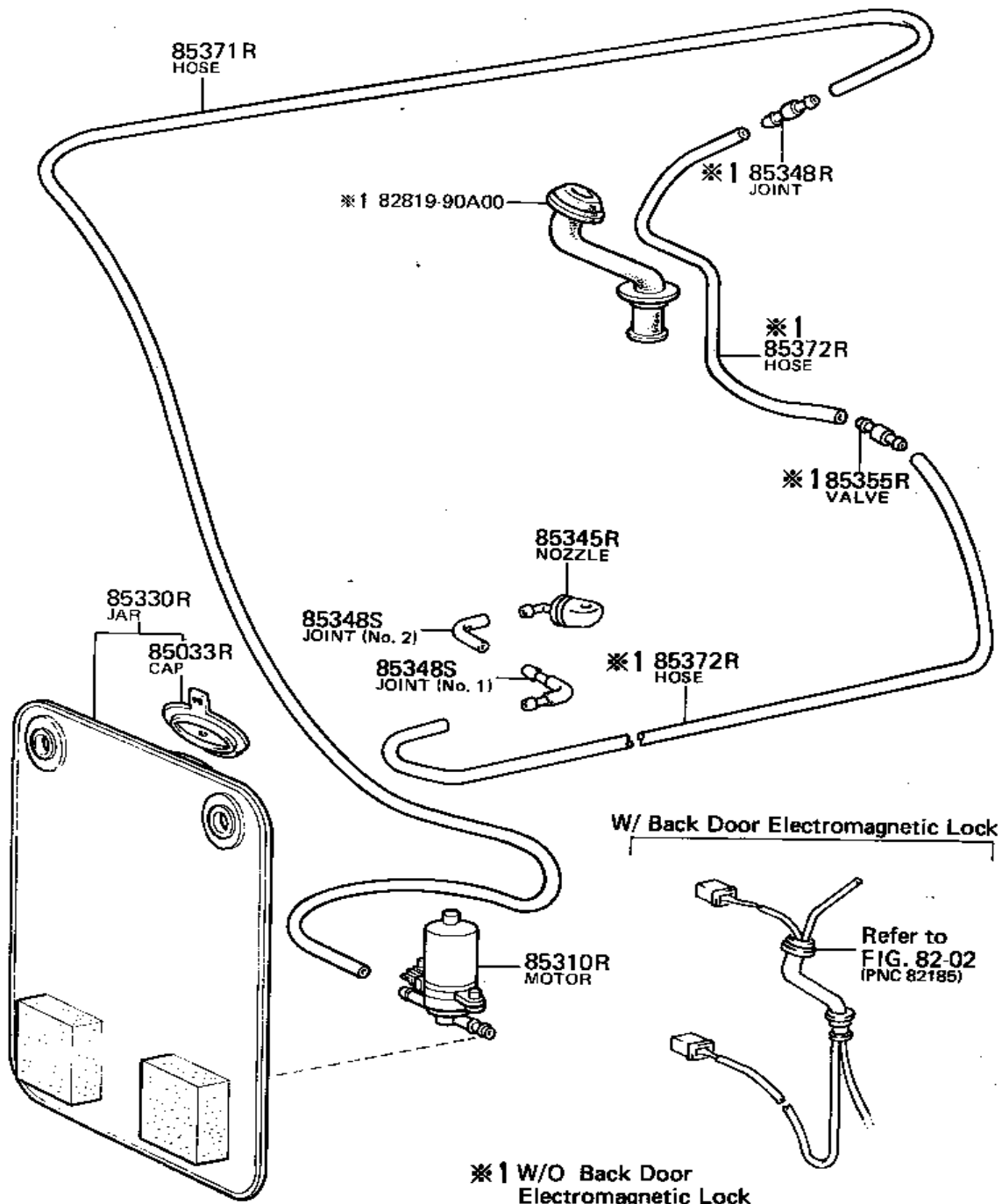
85169R  
WASHER

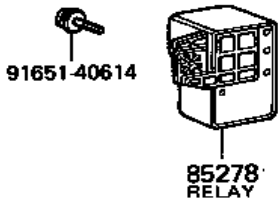
85168R  
NUT

85188R  
CAP

ME B486-A

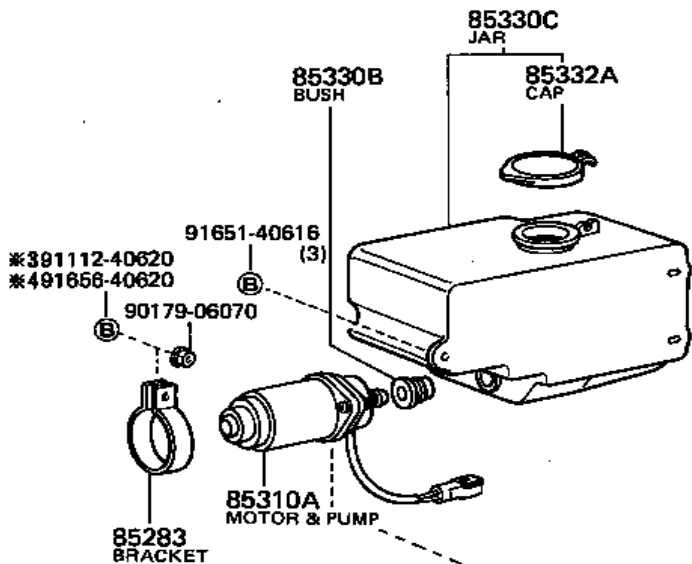






91651-40614

85278  
RELAY



85330C  
JAR

85332A  
CAP

85330B  
BUSH

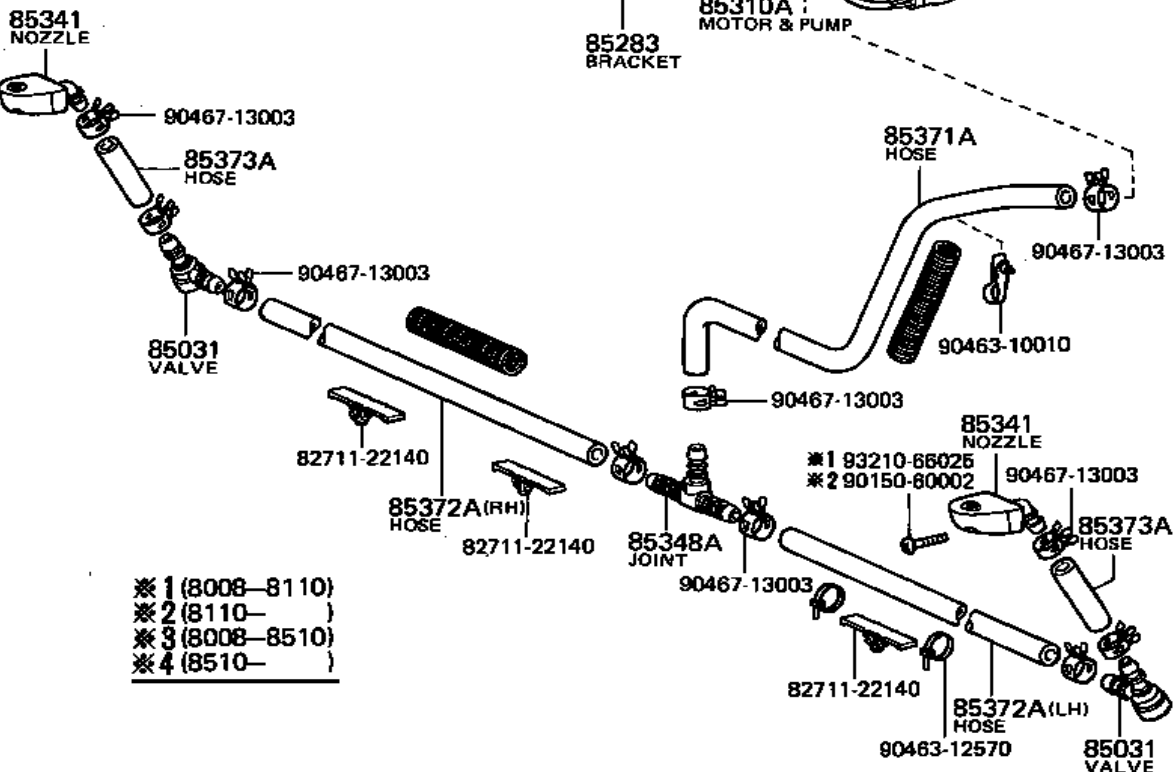
91651-40616  
(3)

\*391112-40620  
\*491856-40620

90179-06070

85310A  
MOTOR & PUMP

85283  
BRACKET



85341  
NOZZLE

90467-13003

85373A  
HOSE

90467-13003

85031  
VALVE

82711-22140

85372A (RH)  
HOSE

82711-22140

85348A  
JOINT

90467-13003

85371A  
HOSE

90467-13003

90463-10010

90467-13003

85341  
NOZZLE

\*1 83210-88025  
\*2 90150-80002

90467-13003

85373A  
HOSE

- \*1 (8008-8110)
- \*2 (8110- )
- \*3 (8008-8510)
- \*4 (8510- )

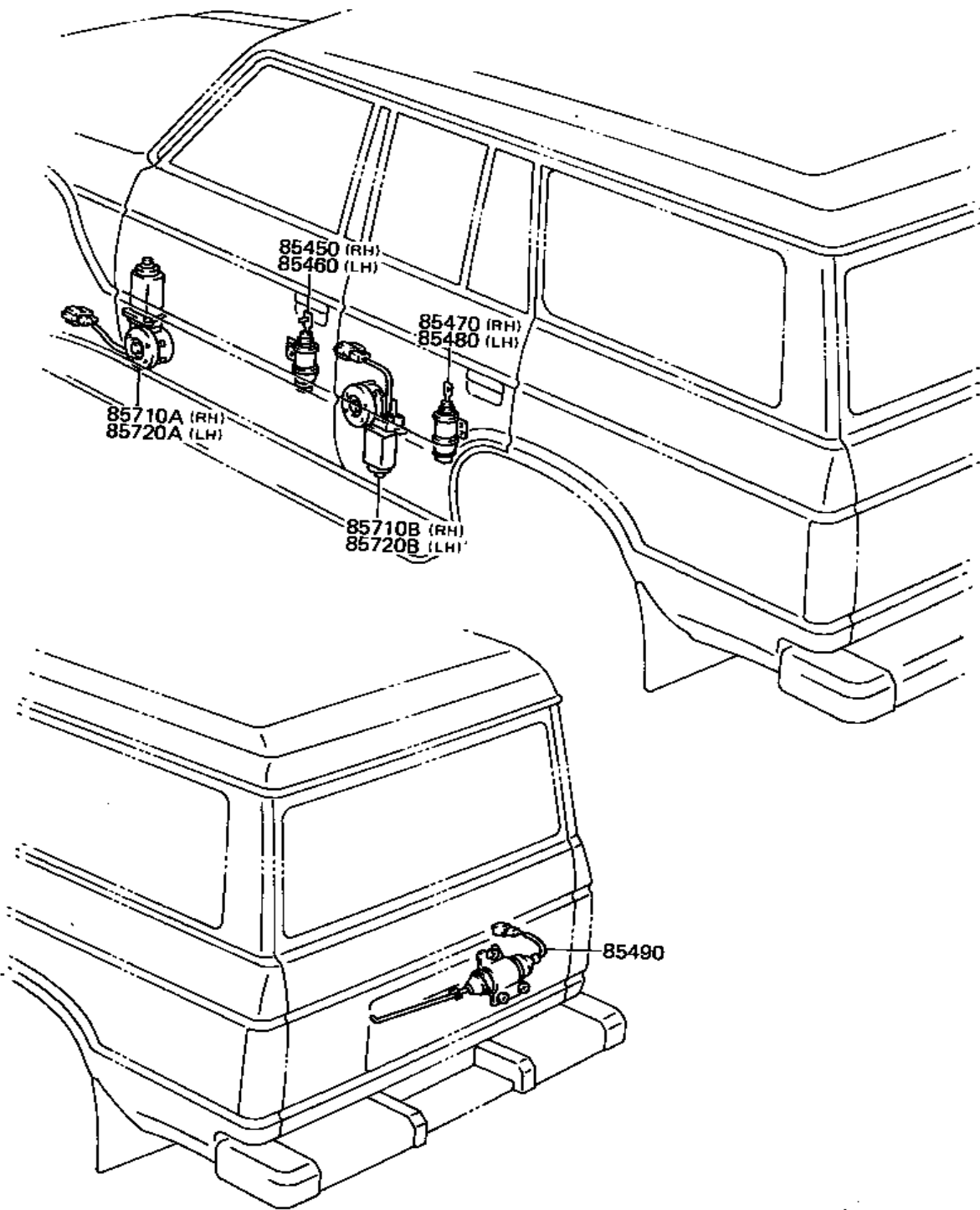
82711-22140

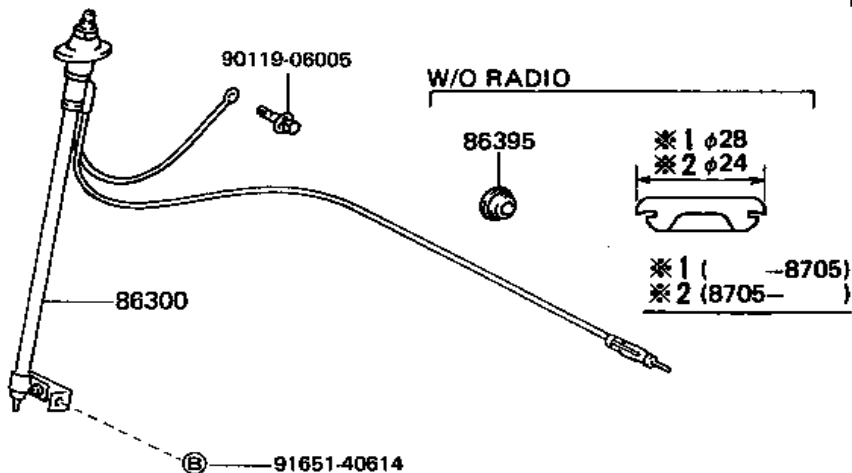
85372A (LH)  
HOSE

90463-12570

85031  
VALVE

ME 9008-E

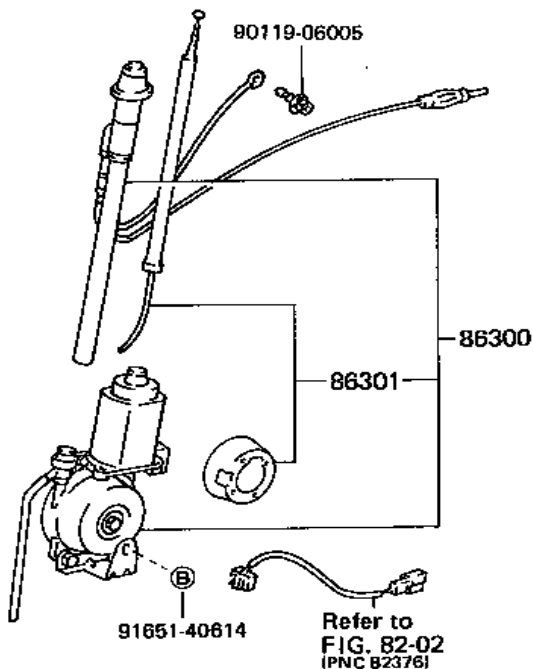
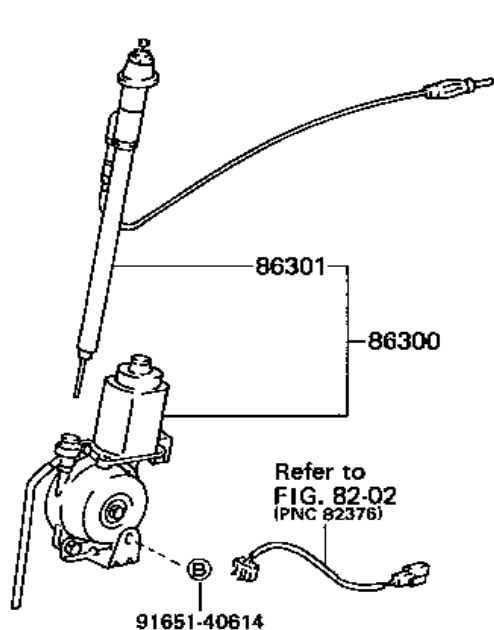


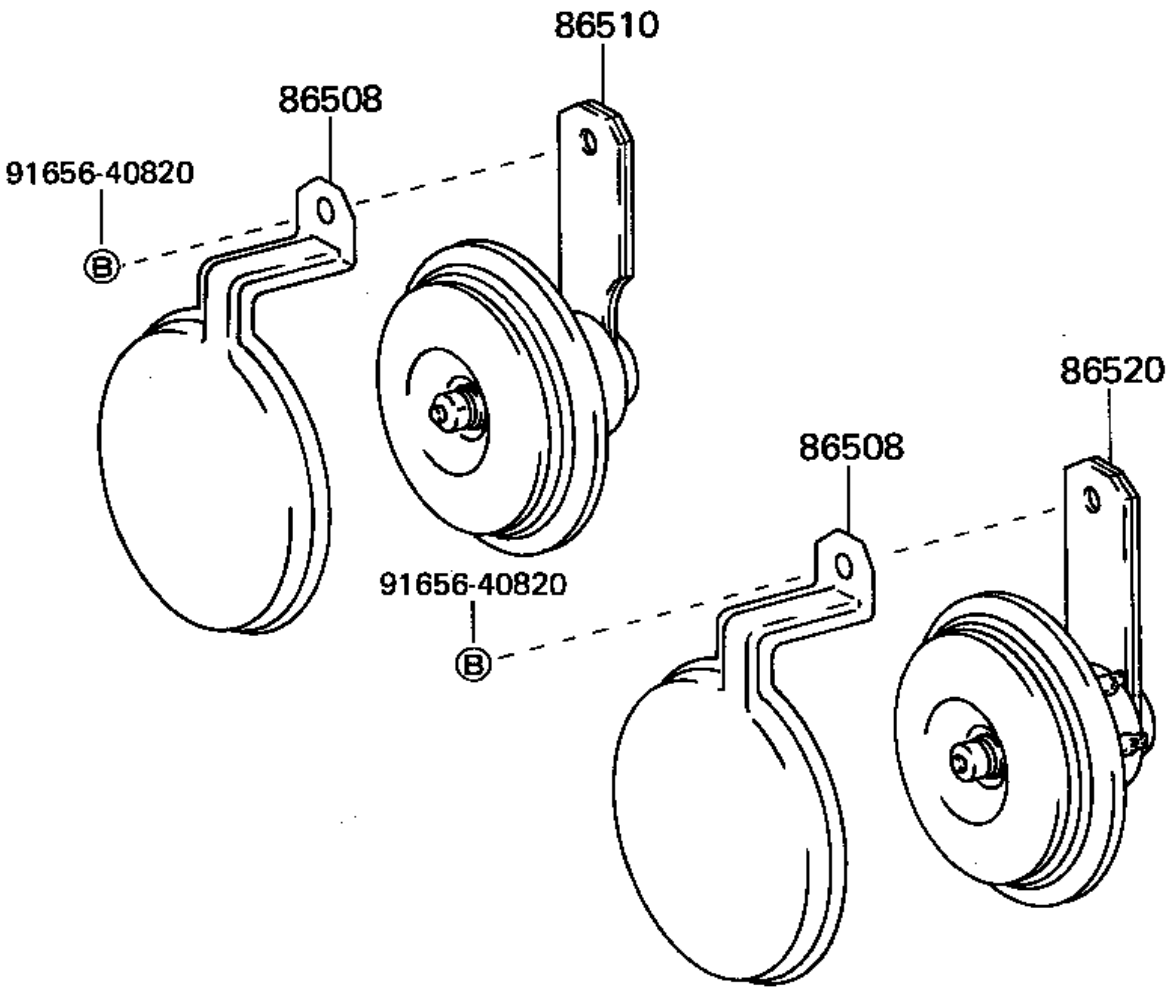


Motor Type

(8008—8404)

(8404— )

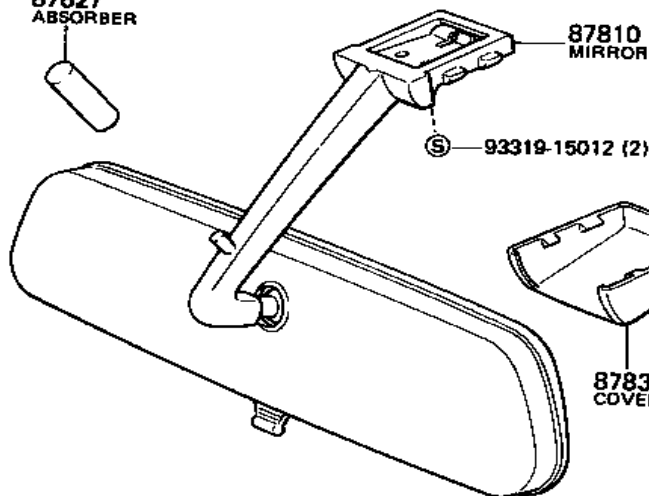




ME G728



87827  
ABSORBER

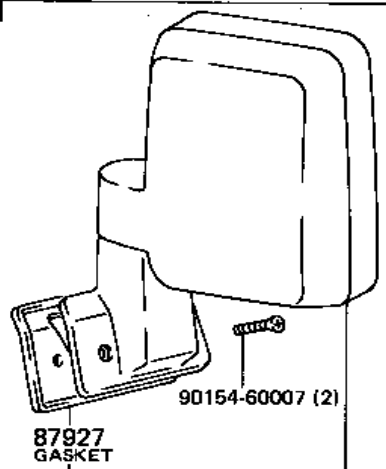


87810  
MIRROR

93319-15012 (2)

87834  
COVER

Door Type



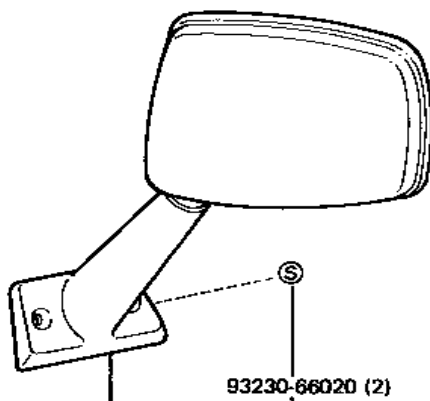
87927  
GASKET

90154-60007 (2)

87910 (RH)  
87940 (LH)  
MIRROR

Plain Type

Convex Type

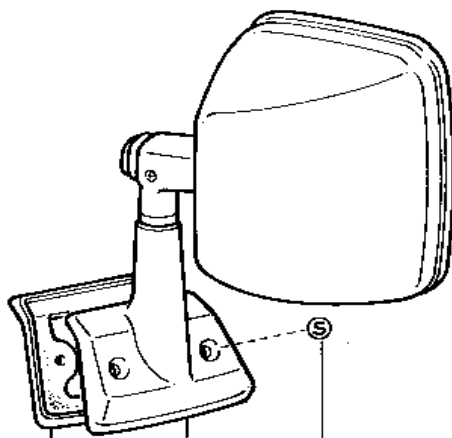


93230-66020 (2)

87910 (RH)  
87940 (LH)  
MIRROR

※1 ( —8608 )  
※2 (8608— )  
※3 (8406— )

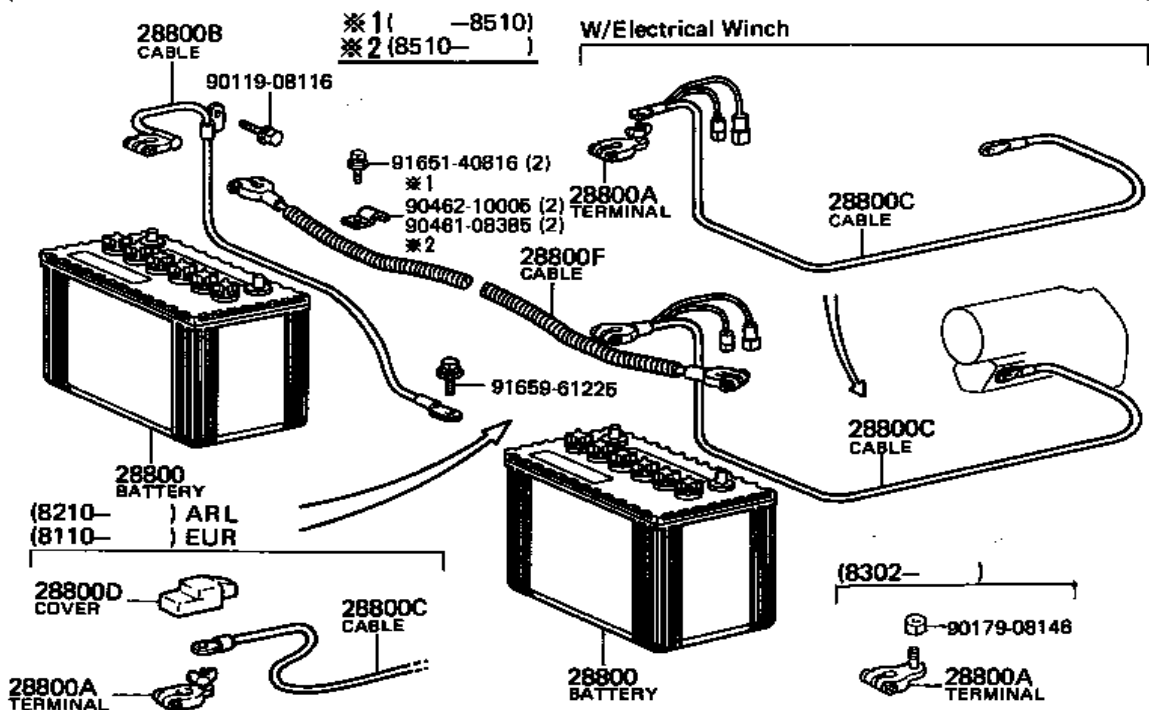
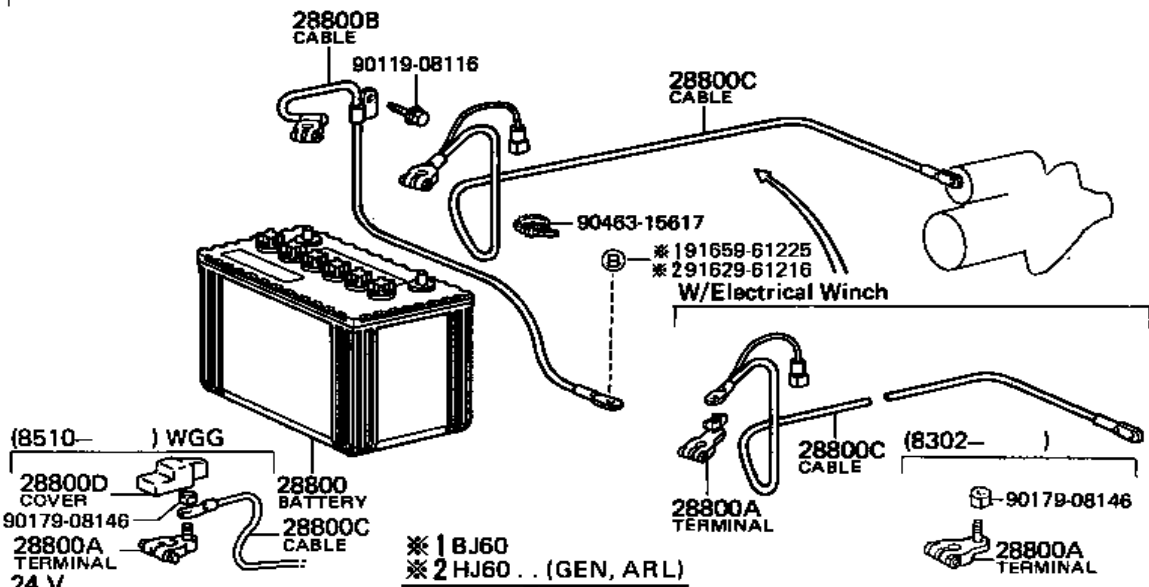
Excluded from PNC 87910 & 87940

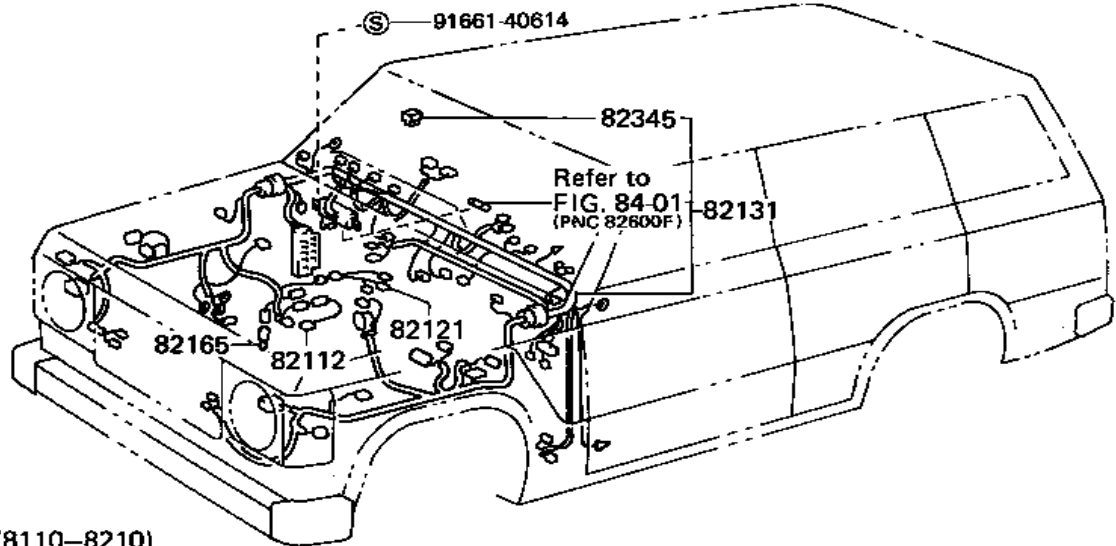


※3 87927  
PACKING

※1 ※3 93230-66020 (2)  
※2 93230-76020 (2)

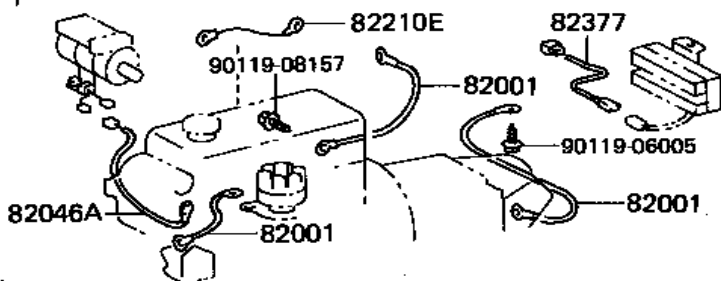
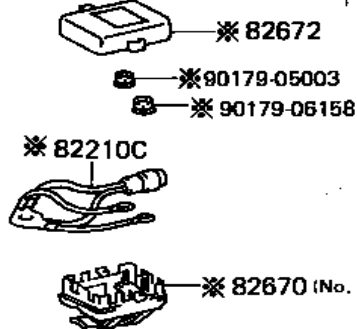
87910 (RH)  
87940 (LH)  
MIRROR



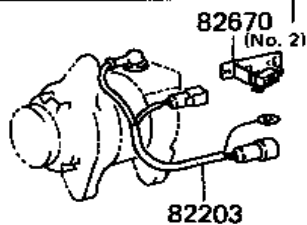


(8110-8210)  
HJ60..EUR

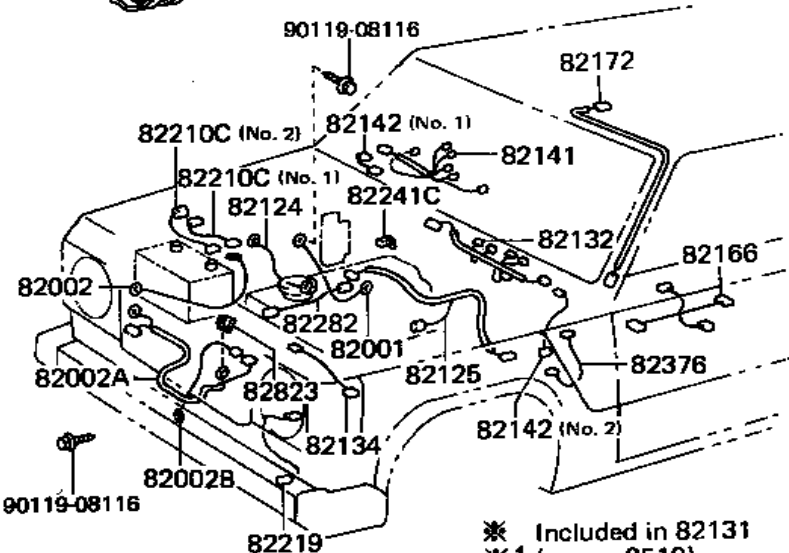
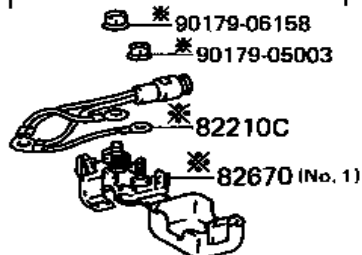
W/ Radio



(8510- ) HJ6#

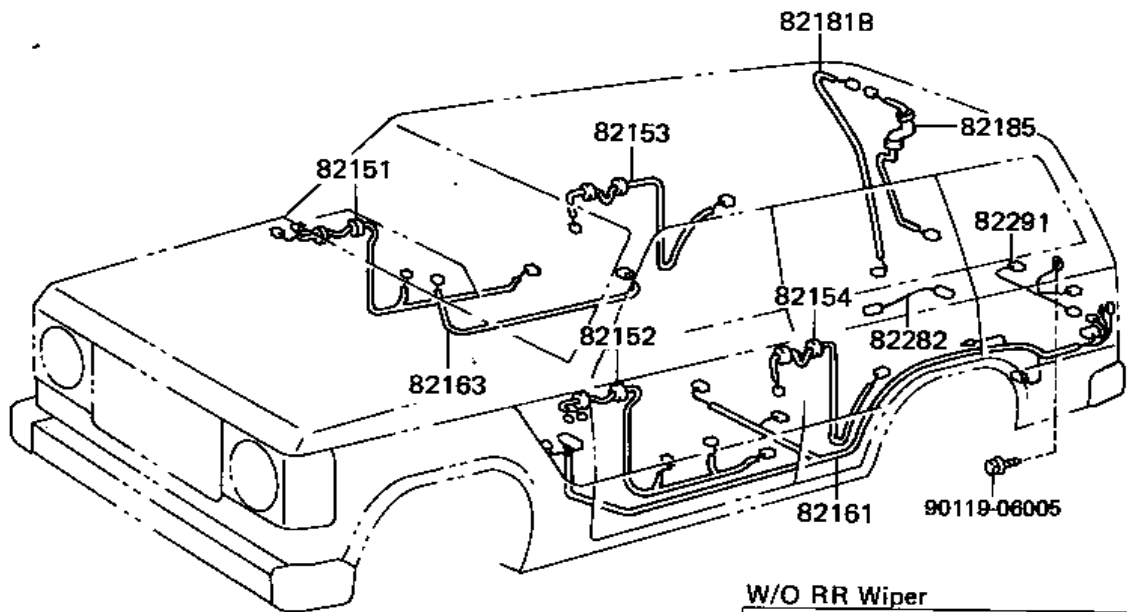


(8411- )



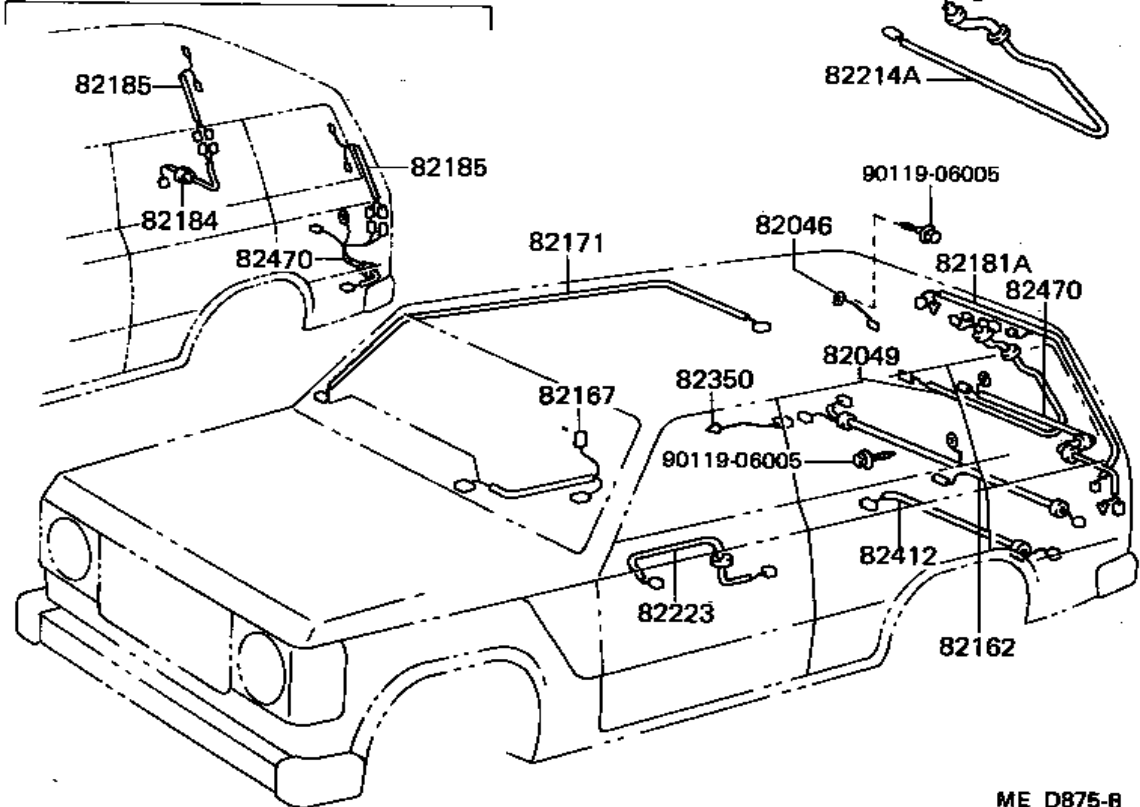
\* Included in 82131  
\* 1 ( -8510)

ME 8985-K

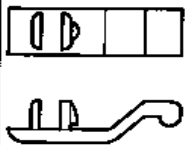

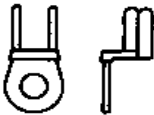
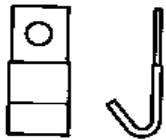
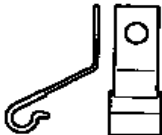


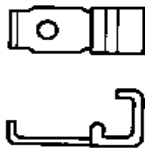
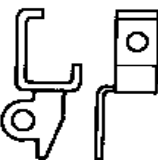
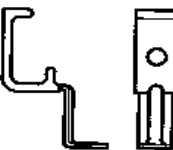
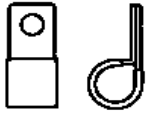

WGV

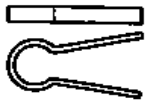
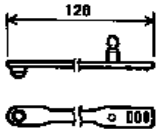
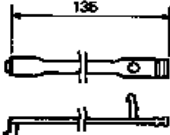
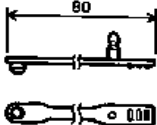
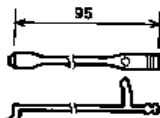
W/O RR Wiper

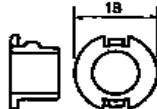
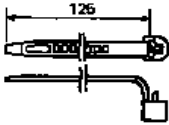
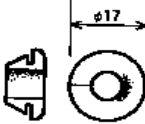
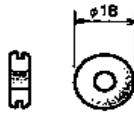
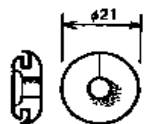


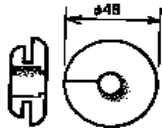

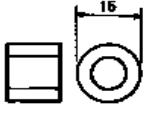

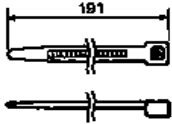
ME D875-B


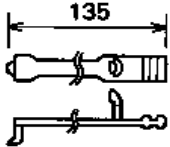


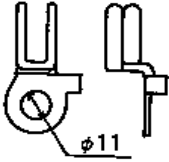
NO.	1	2	3	4	5
TYPE					
PART NO.	82711-12480	82711-14080	90461-08359	90461-08671	90461-08116

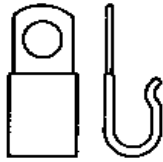
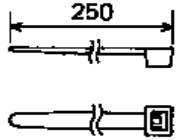

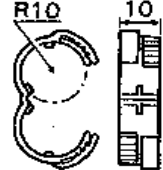
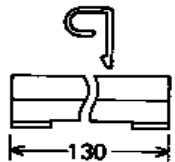
NO.	6	7	8	9	10
TYPE					
PART NO.	90461-08202	90461-08265	90461-08401	90461-08385	90463-04079

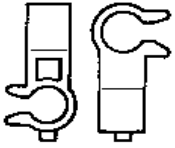
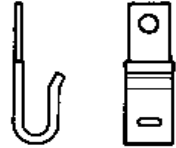
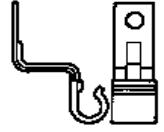
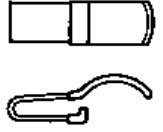
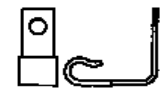
NO.	11	12	13	14	15
TYPE					
PART NO.	90463-08207	90463-10010	90463-10060	90463-10338	90463-10521

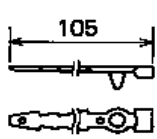
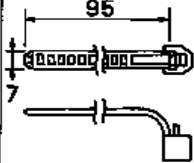
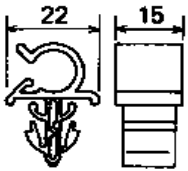
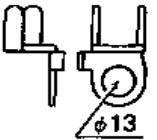
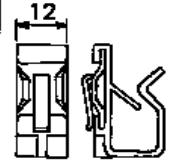
NO.	16	17	18	19	20
TYPE					
PART NO.	82819-90A02	82711-12200	90480-12002	90480-13334	90480-30007


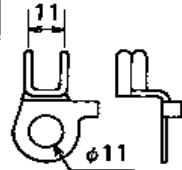
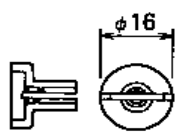
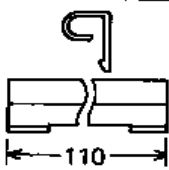
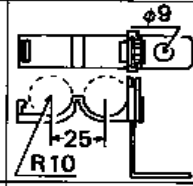
NO.	21	22	23	24	25
TYPE					
PART NO.	90480-38508	90461-08206	90560-08011	90463-08375	82711-22270

NO.	26	27	28	29	30
TYPE					
PART NO.	90947-03003	90463-10060	90462-08015	90464-00167	90461-06086

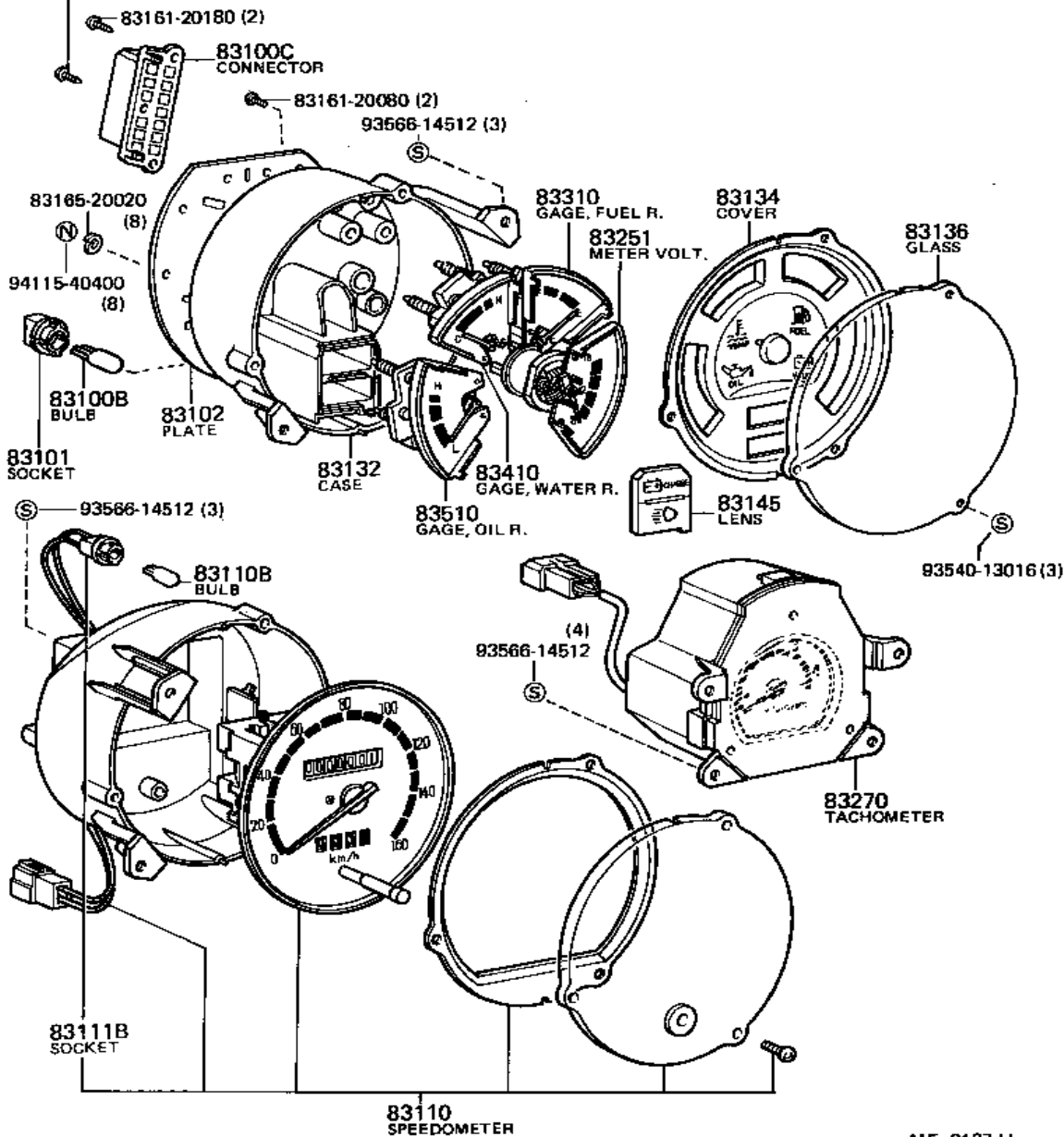
NO.	31	32	33	34	35
TYPE					
PART NO.	90461-08430	90463-15003	90464-00056	82711-14110	82711-14290

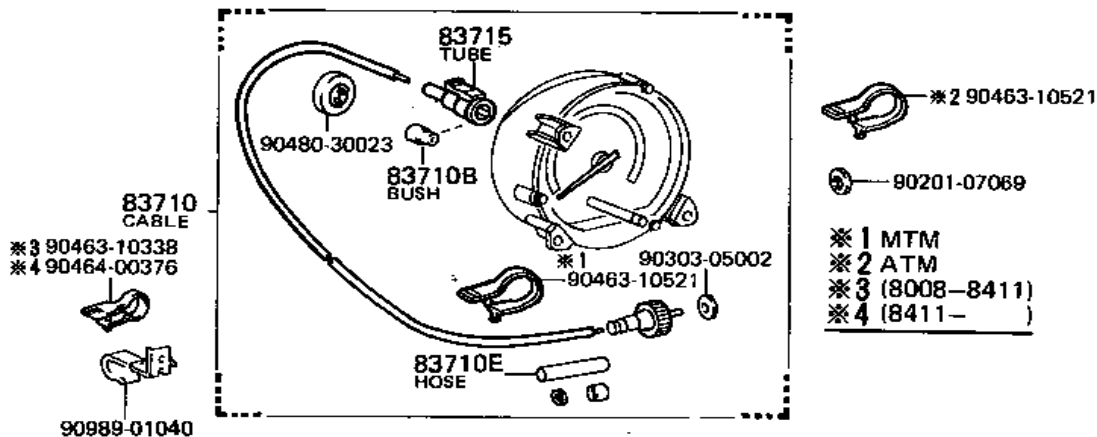
NO.	36	37	38	39	40
TYPE					
PART NO.	90464-00154	90461-10311	90462-10047	90463-08030	90461-06012

NO.	41	42	43	44	45
TYPE					
PART NO.	90463-15346	82711-30360	82711-90K04	90461-06645	90464-00030

NO.	46	47	48	49	50
TYPE					
PART NO.	82711-12120	82711-60010	90189-04024	82711-14290	82711-30540

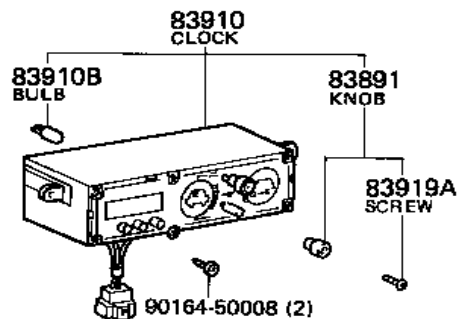
83161-20240





BJ60, HJ6# (W/ Tachometer)

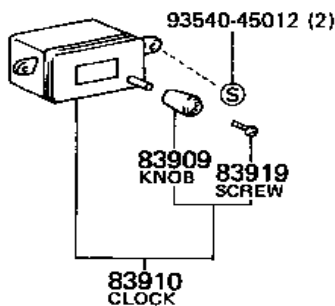
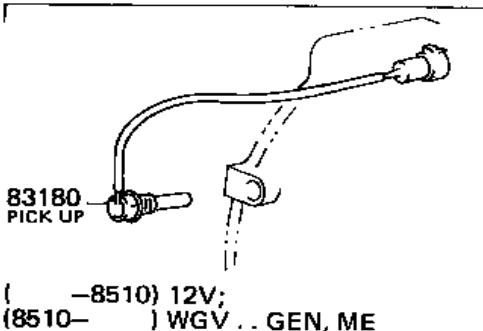
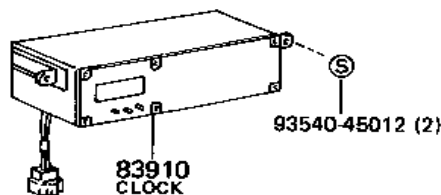
W/Cli no meter



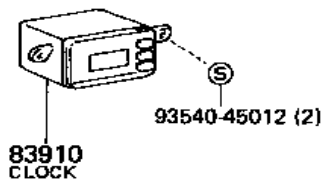
WARNING-ACCURATE ONLY WHEN COMPLETELY STOPPED.  
DO NOT EXCEED 30 DEGREES.

86995  
PLATE

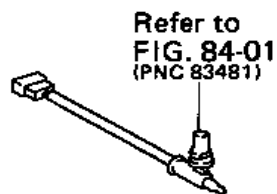
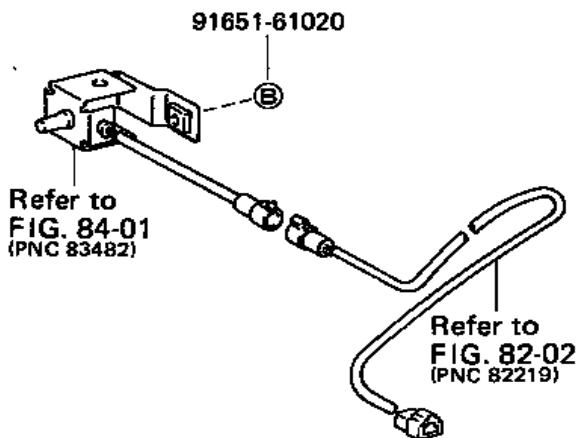
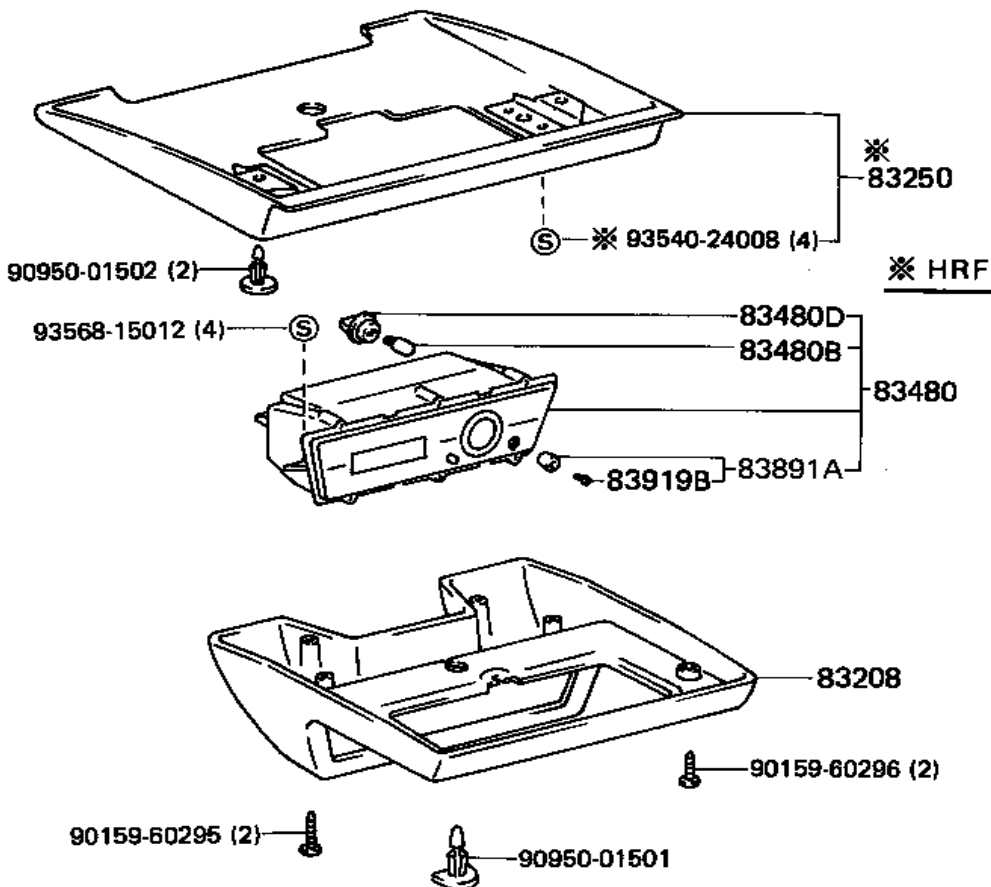
(8210-8411) W/O Cli no meter



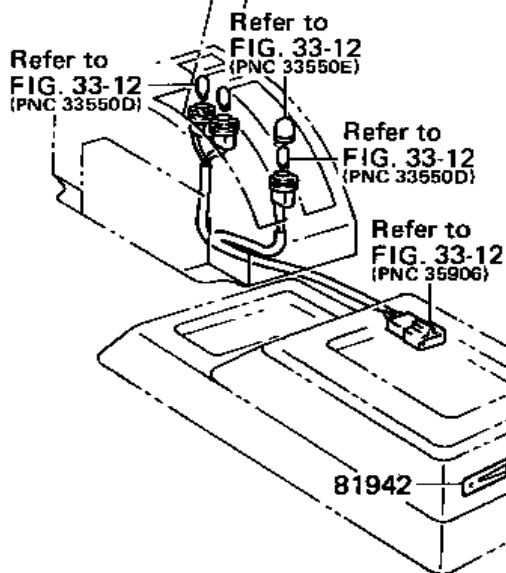
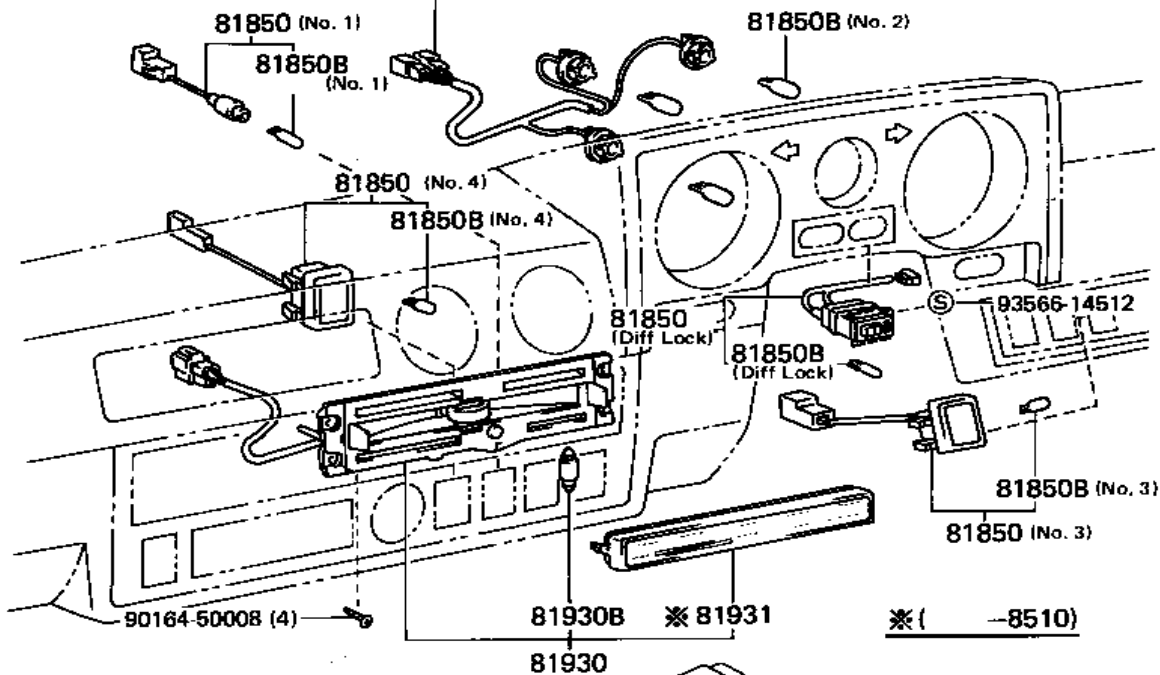
( -8510) 24V; (8510- ) WGG, EUR

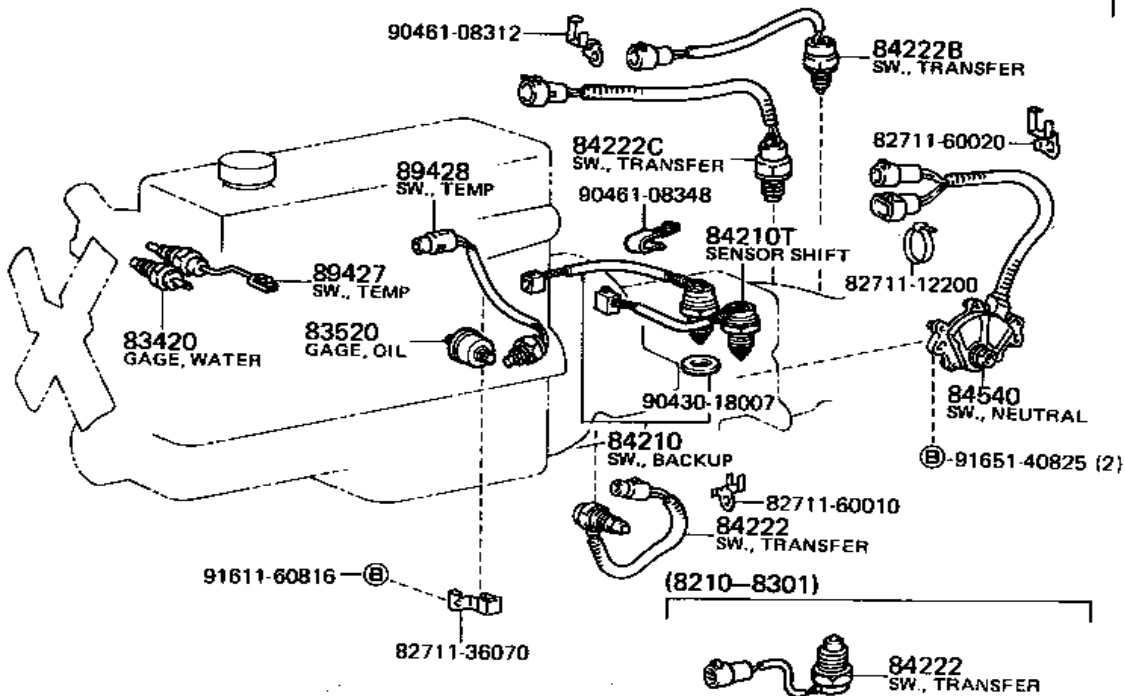




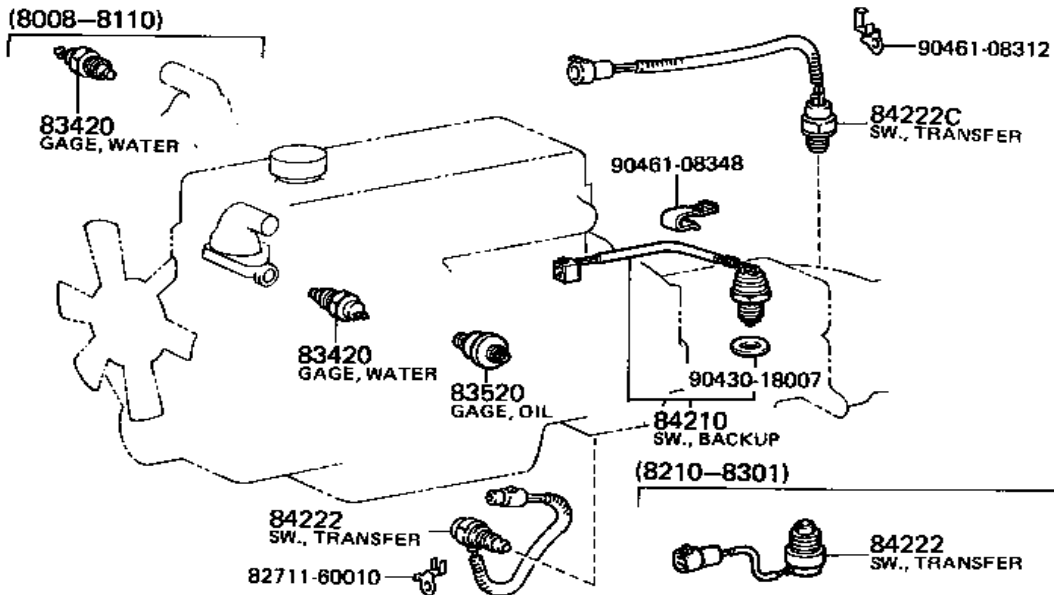


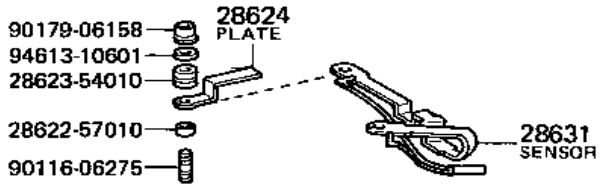
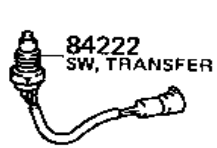
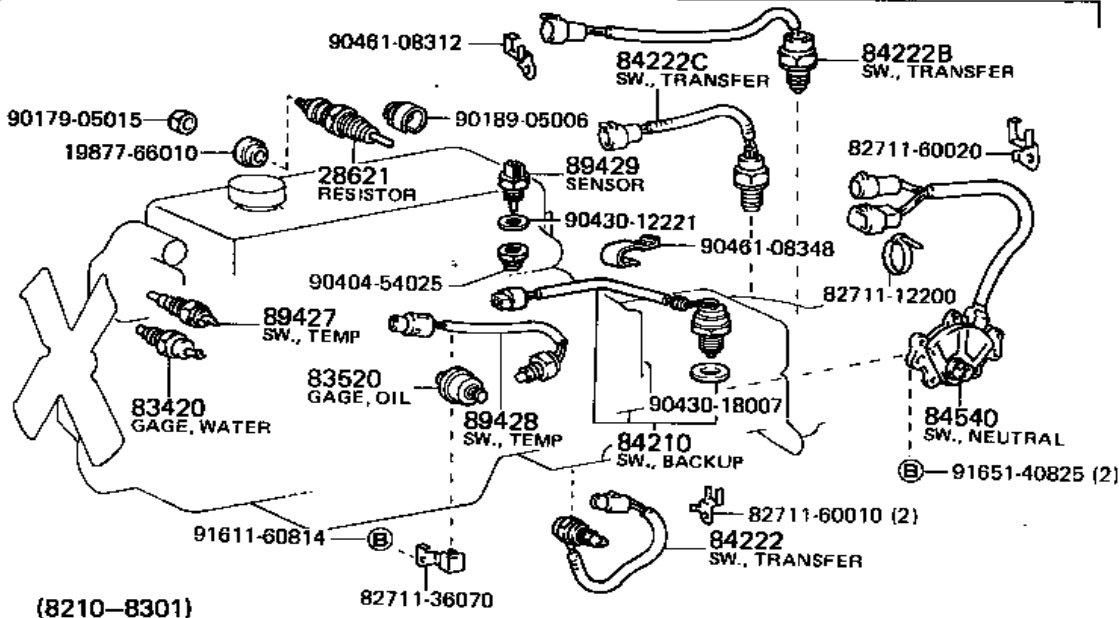
Refer to  
FIG. 82-02  
(PNC 82141)



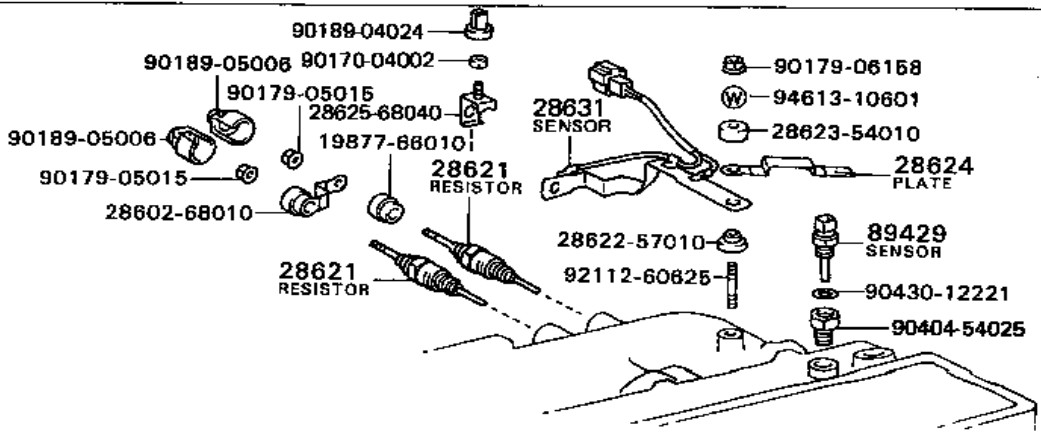


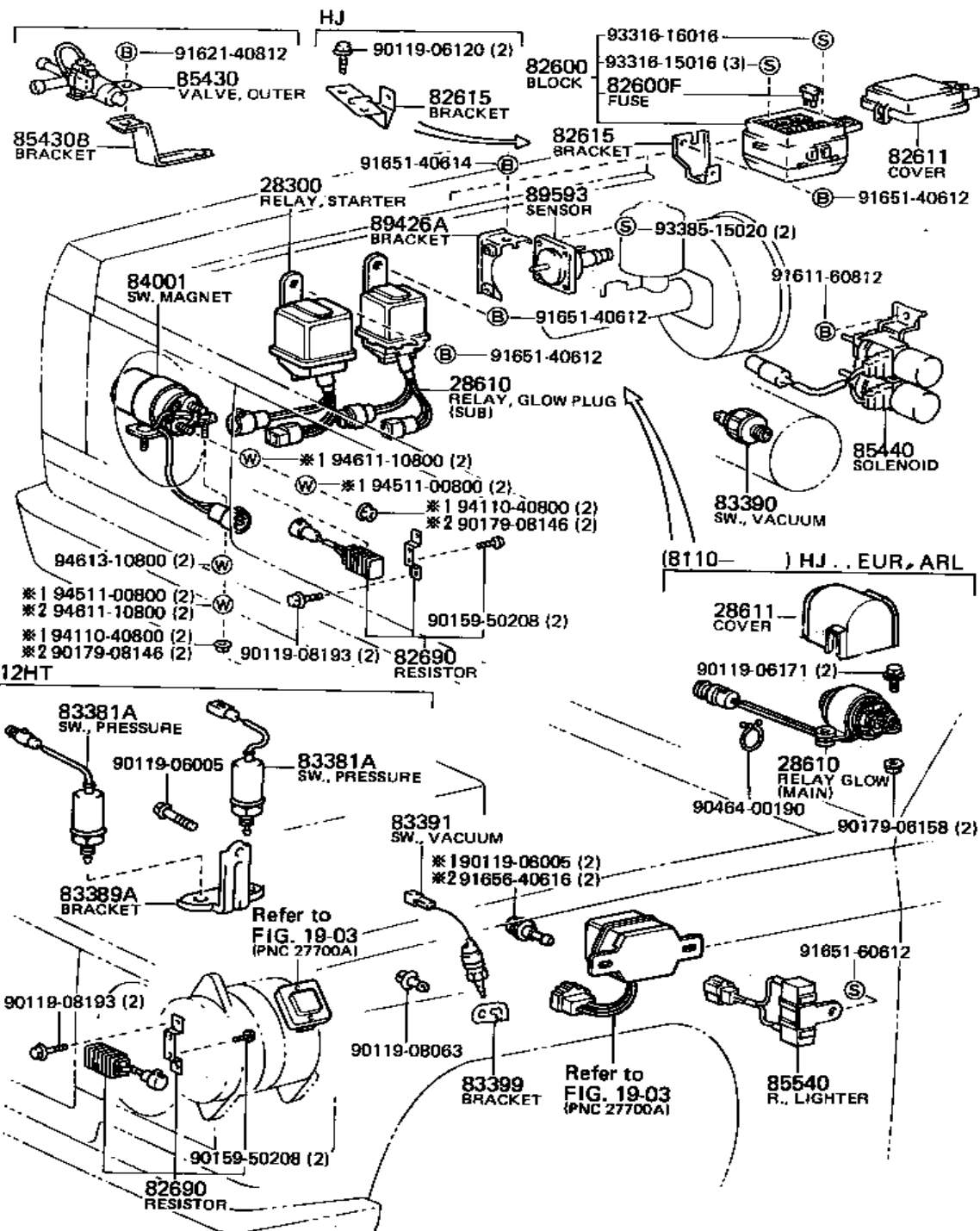
(8008-8110)

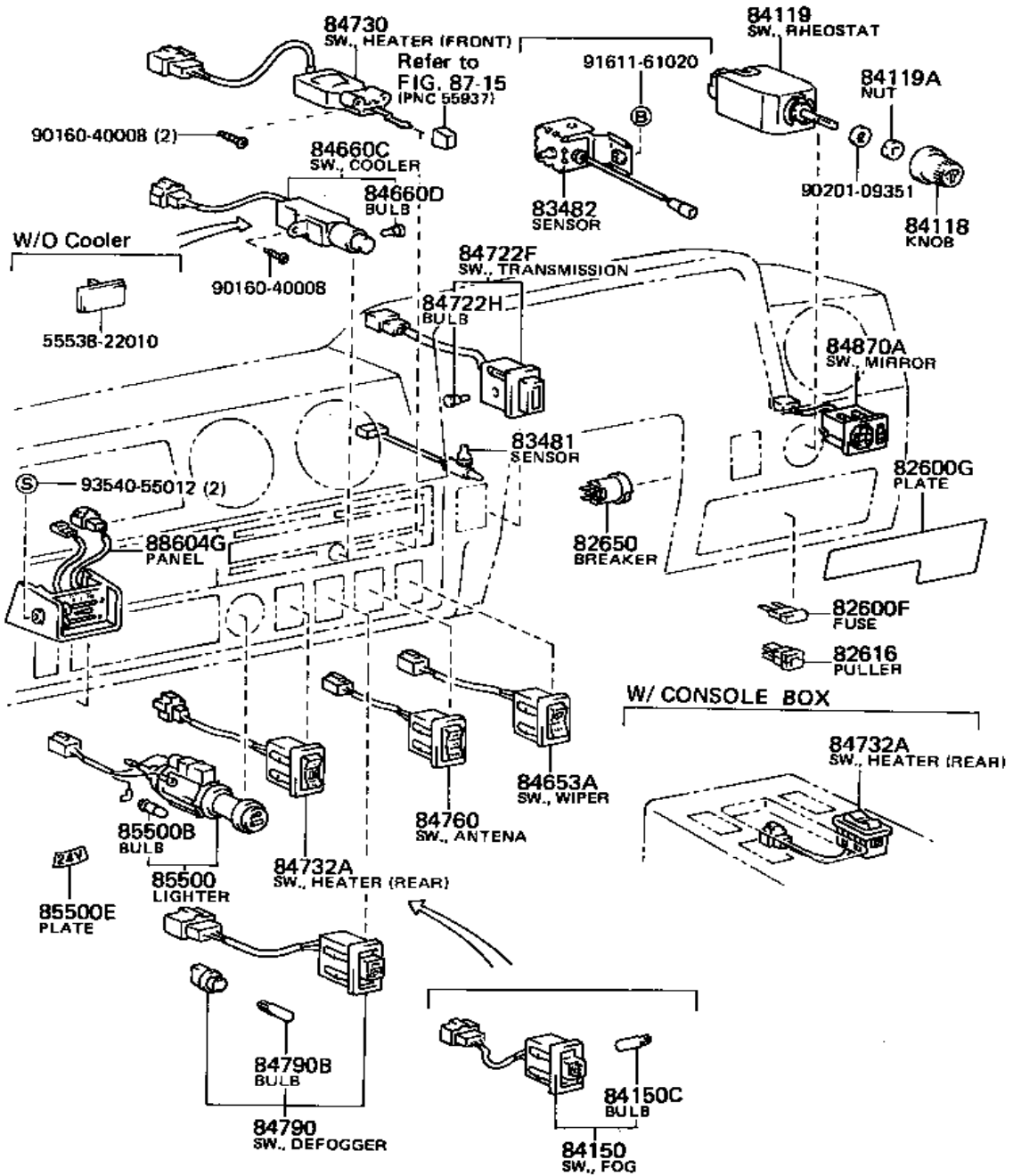


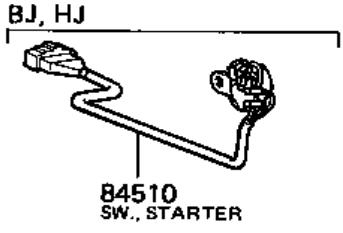
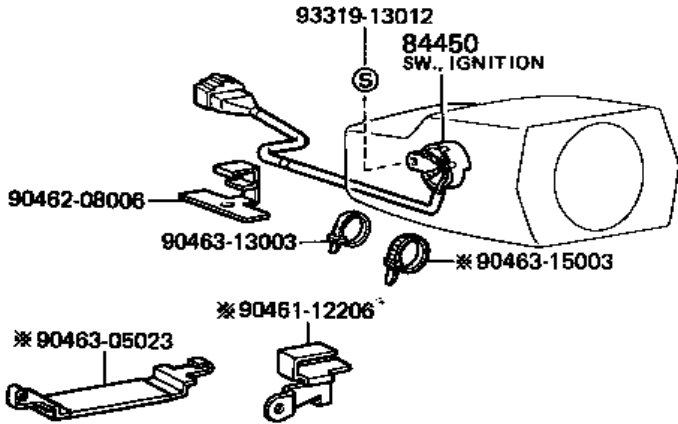


(8210- ) HJ . . EUR, ARL

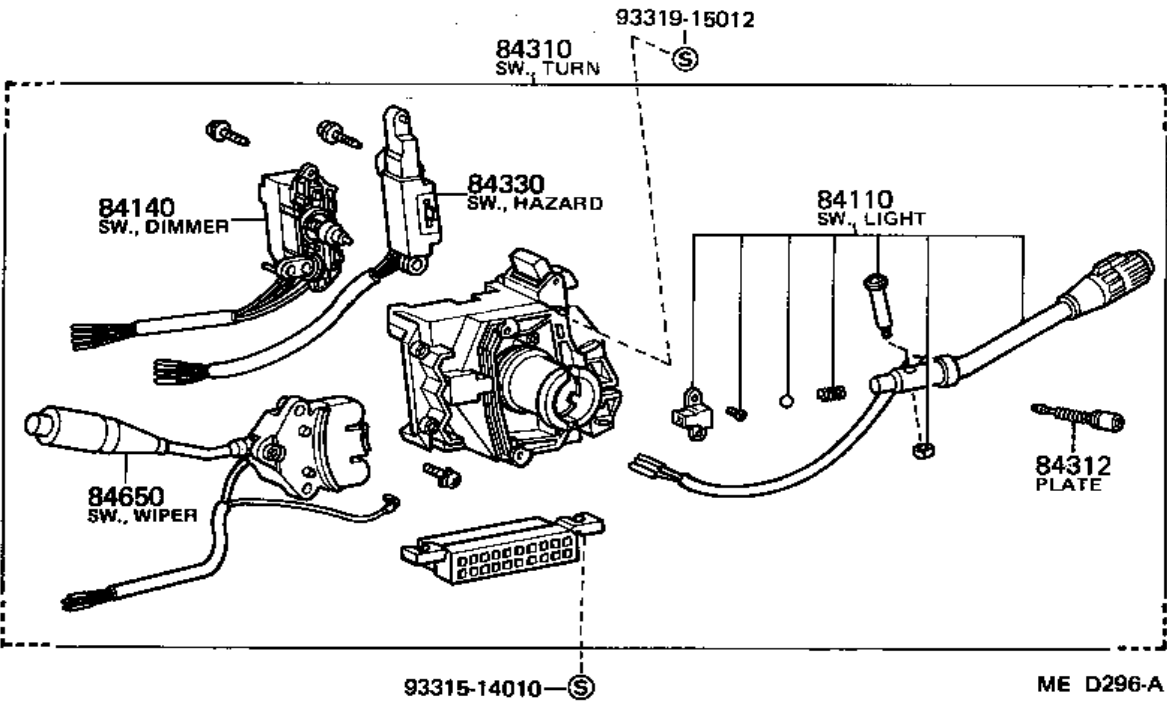


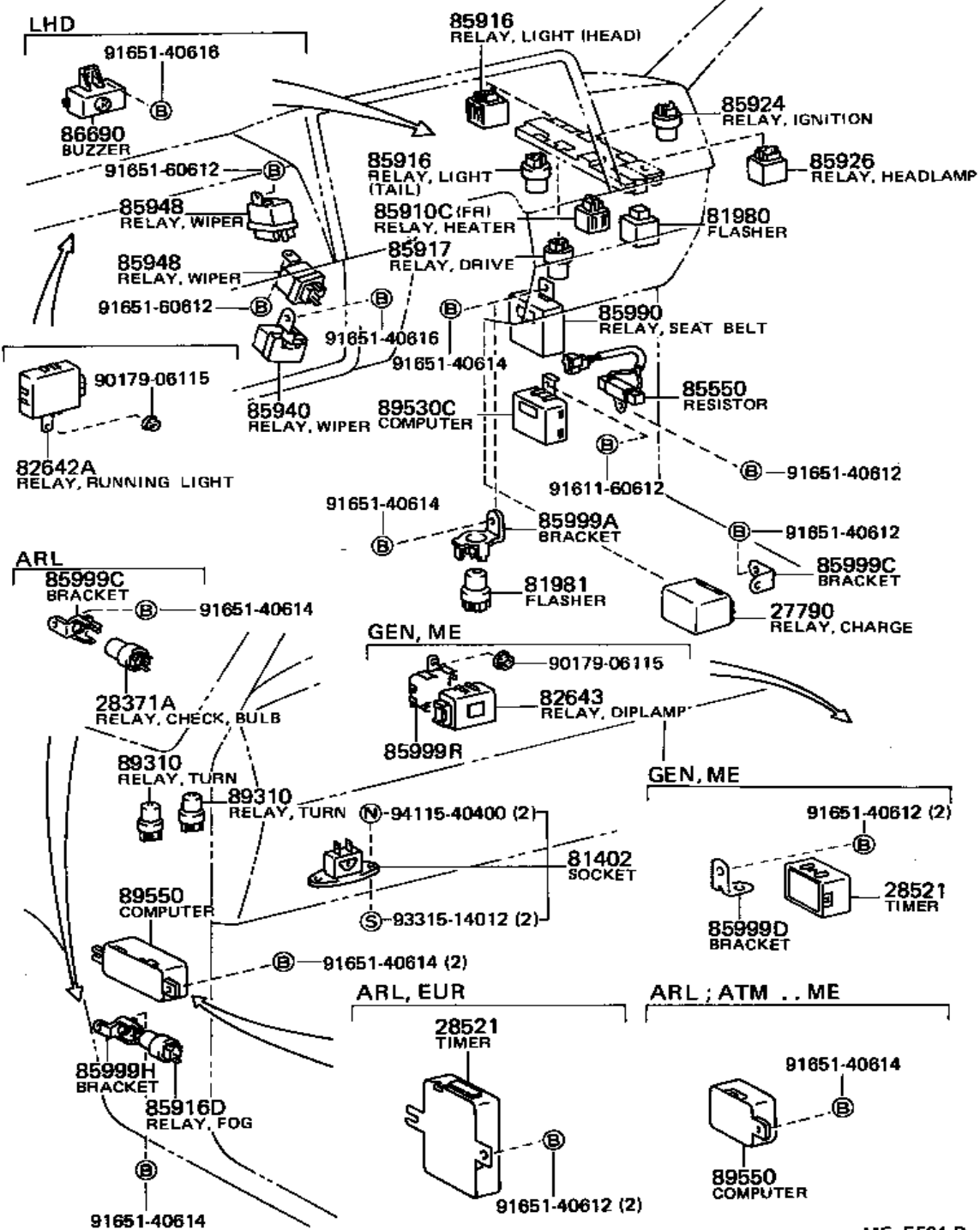




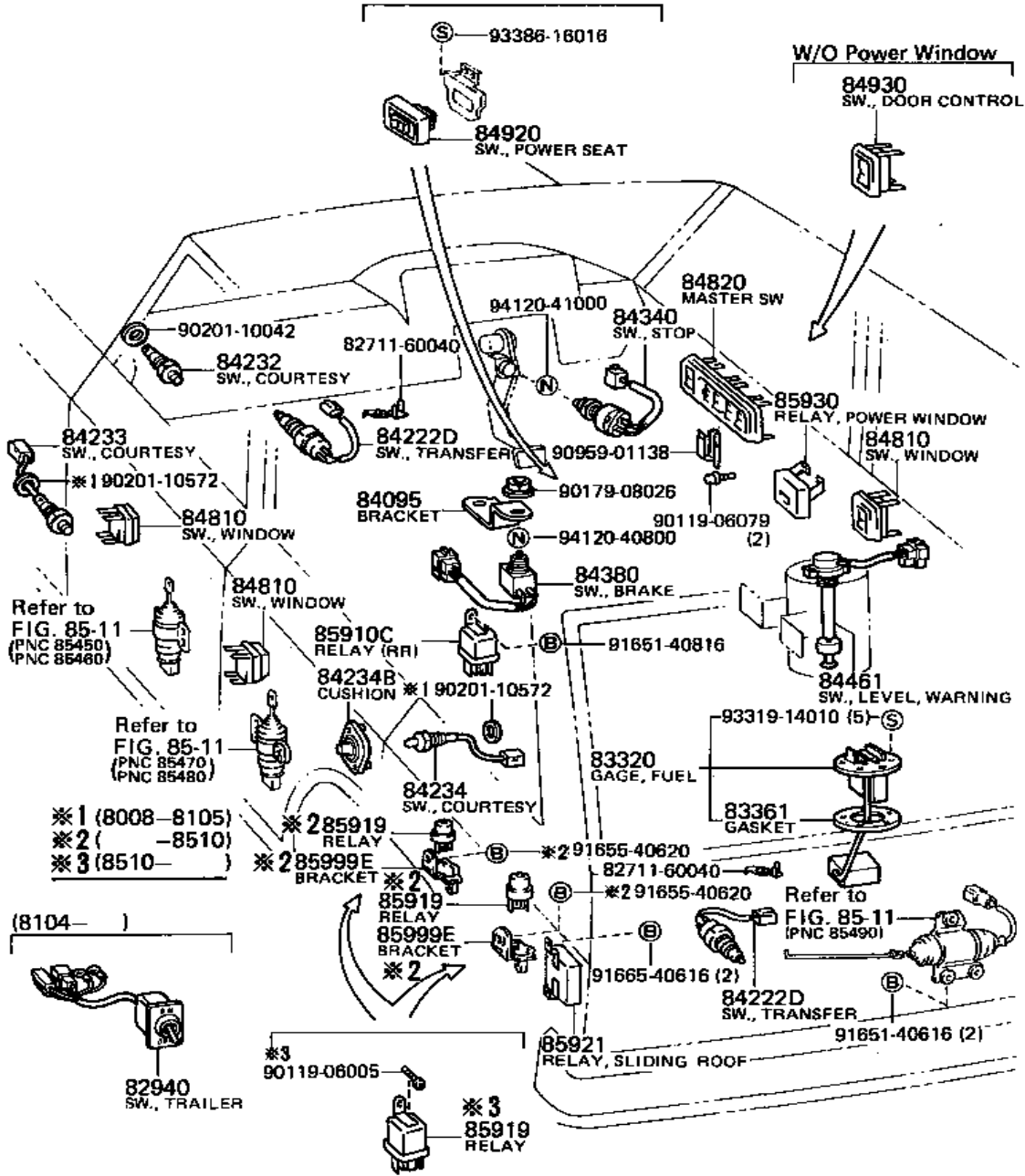


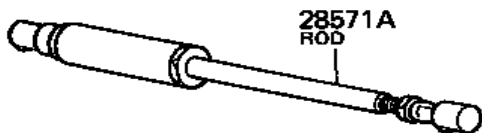
**\* W/ Tilt Steering**



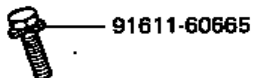






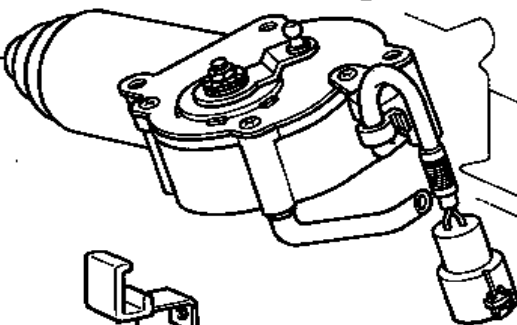


28571A  
ROD



91611-60665

28571  
MOTOR

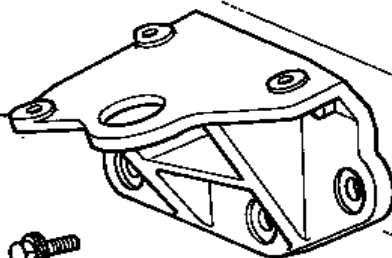


90461-10472



91651-40814

28579  
BRACKET



91651-60825

91651-40612

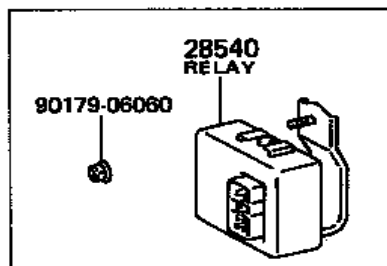
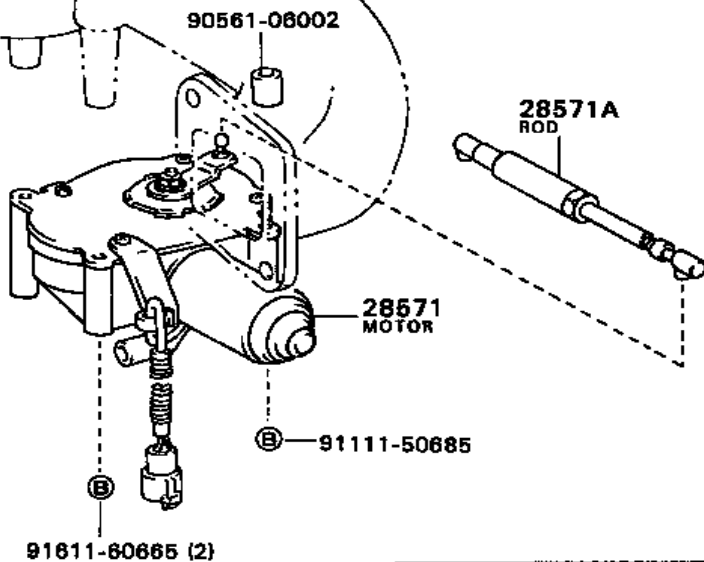
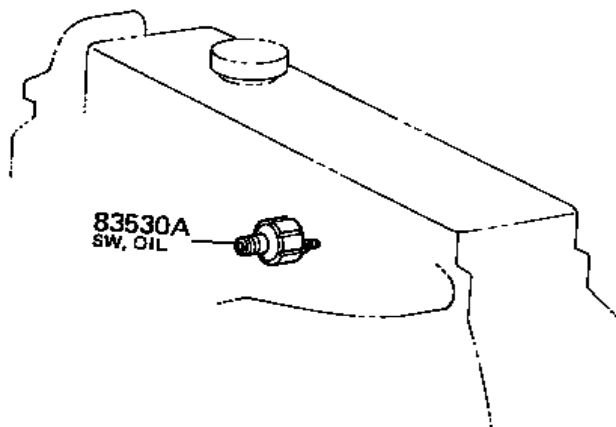
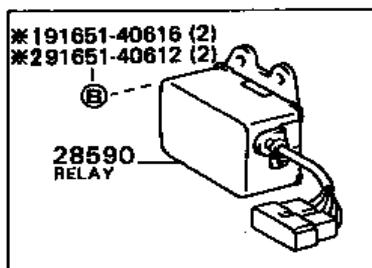


28590  
RELAY, FUEL

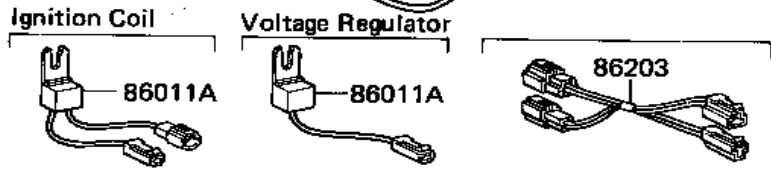
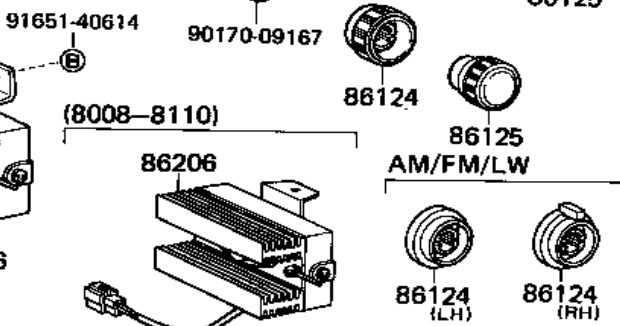
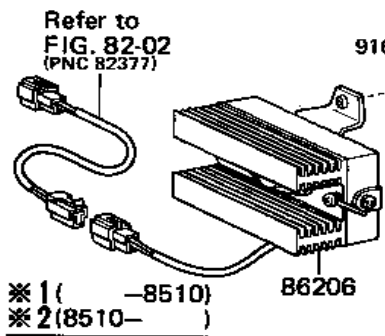
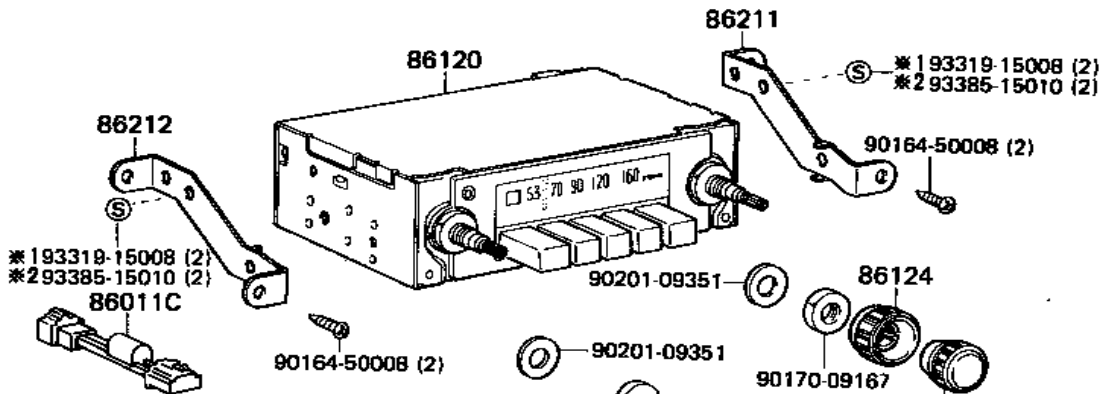
83530A  
SW, OIL



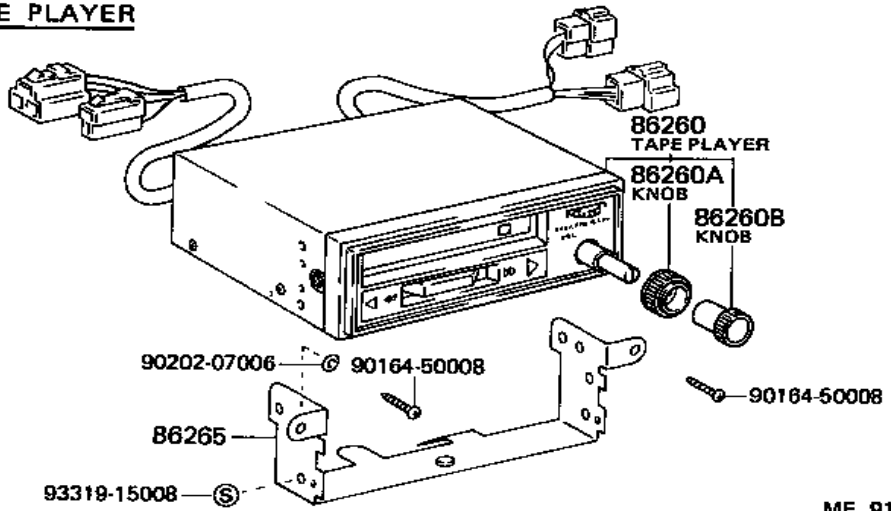
※1 ( -8411 )  
※2 (8411- )



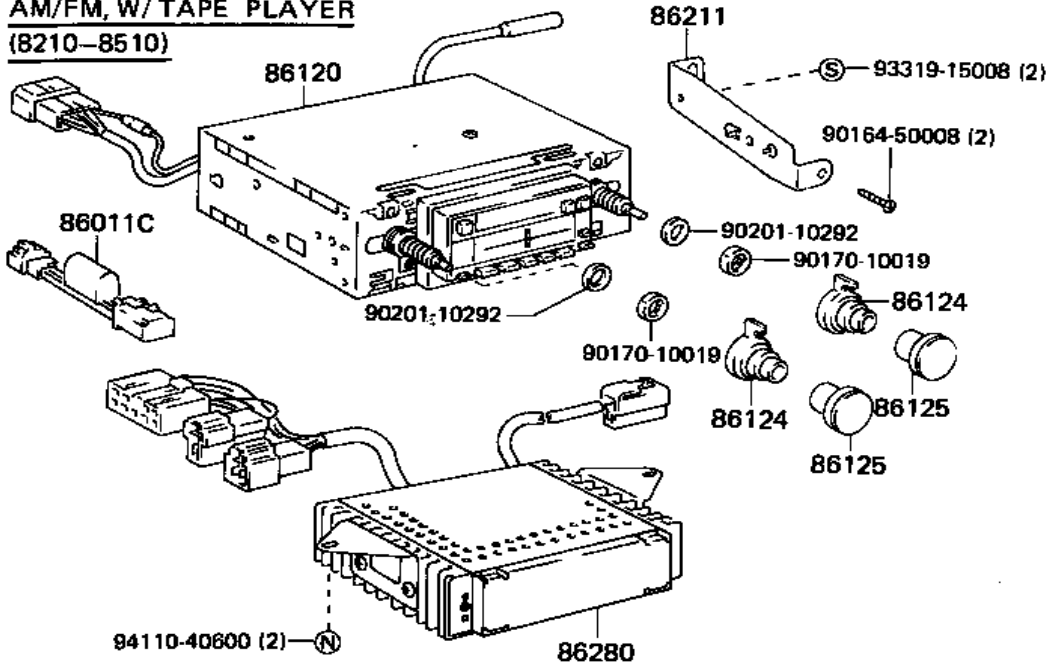
ME C289-D



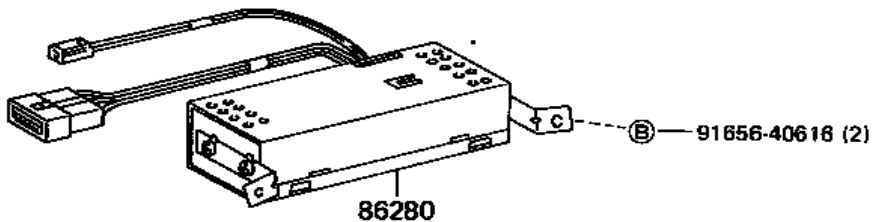
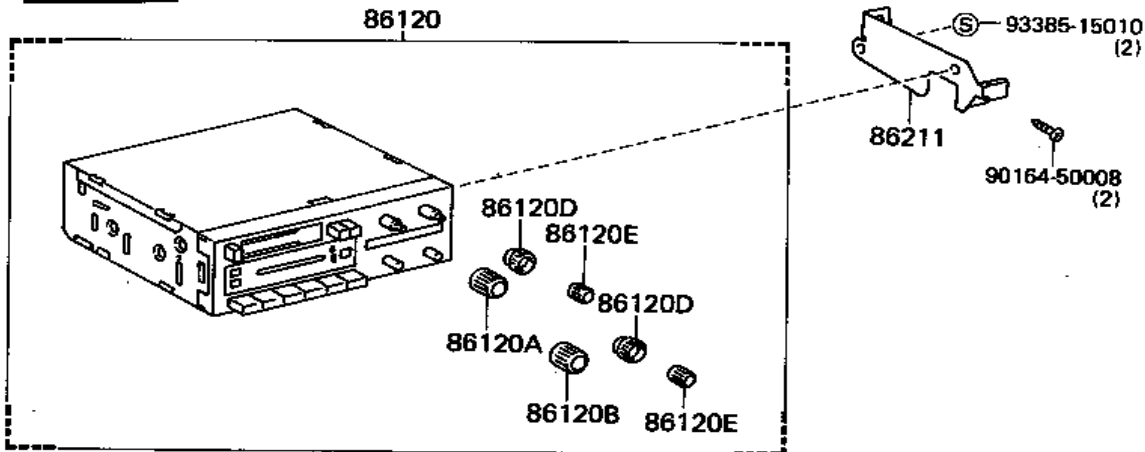
**TAPE PLAYER**



- AM/FM, W/ TAPE PLAYER  
(8210-8510)

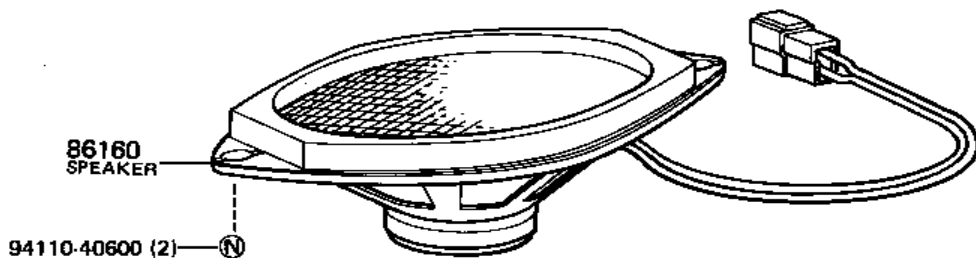


(8510- )

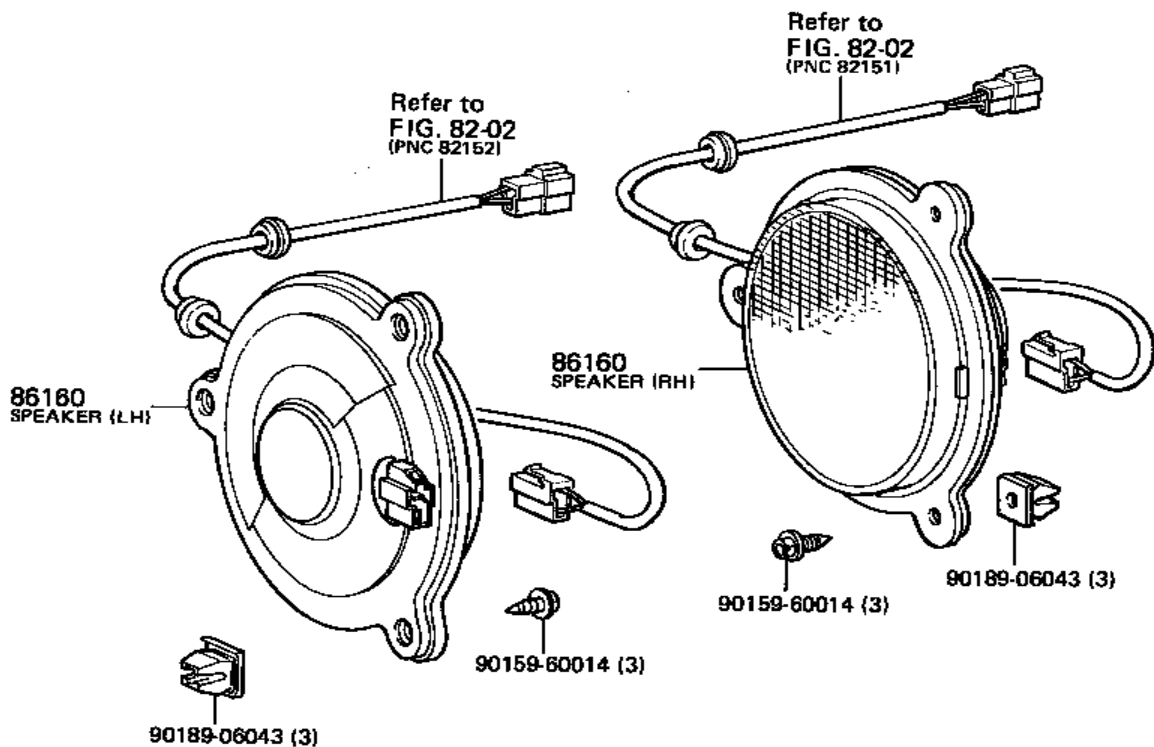


## FR Speaker

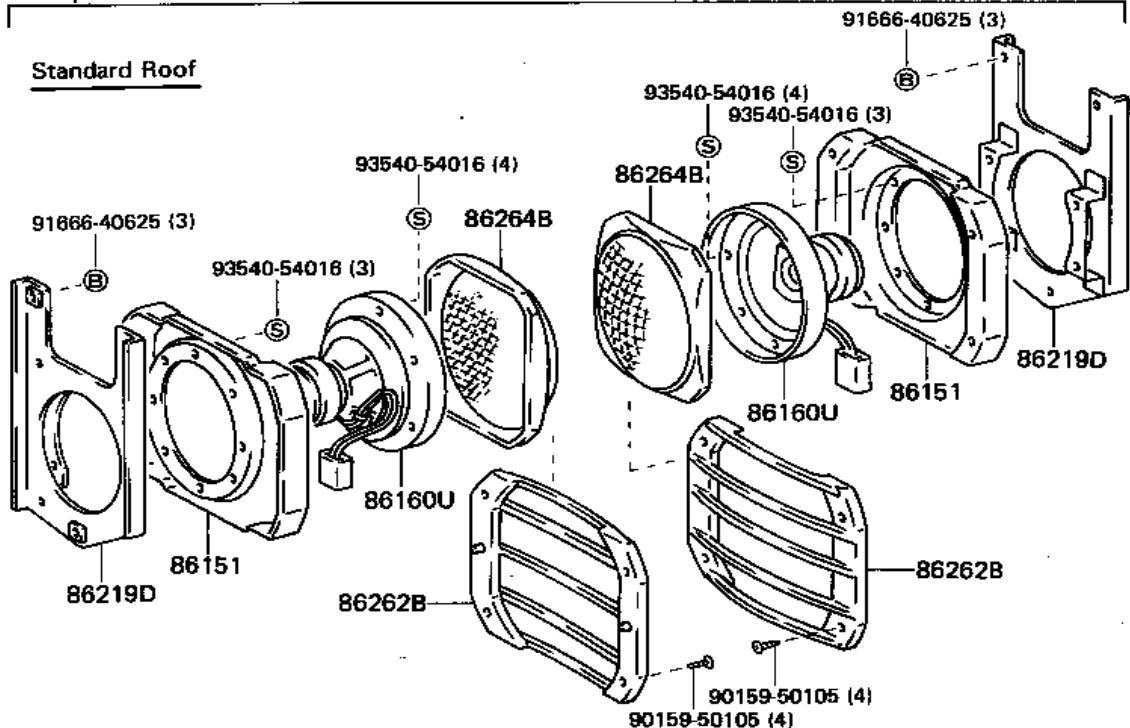
### AM & AM/FM Monaural



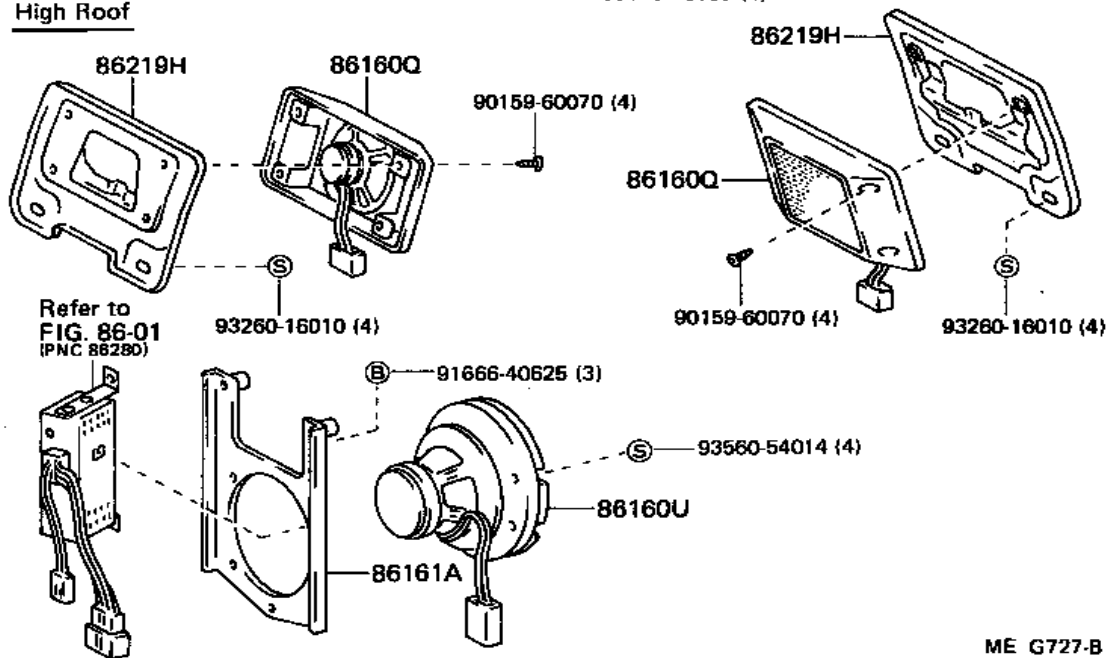
### Tape Player & AM/FM Mutiplex



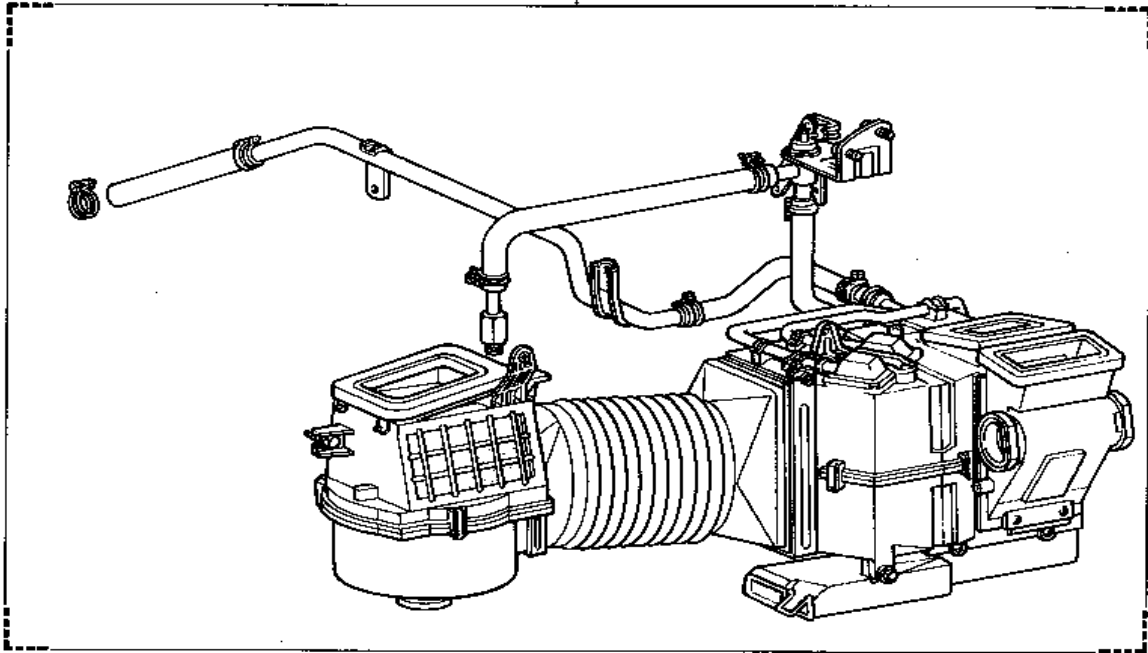
Standard Roof



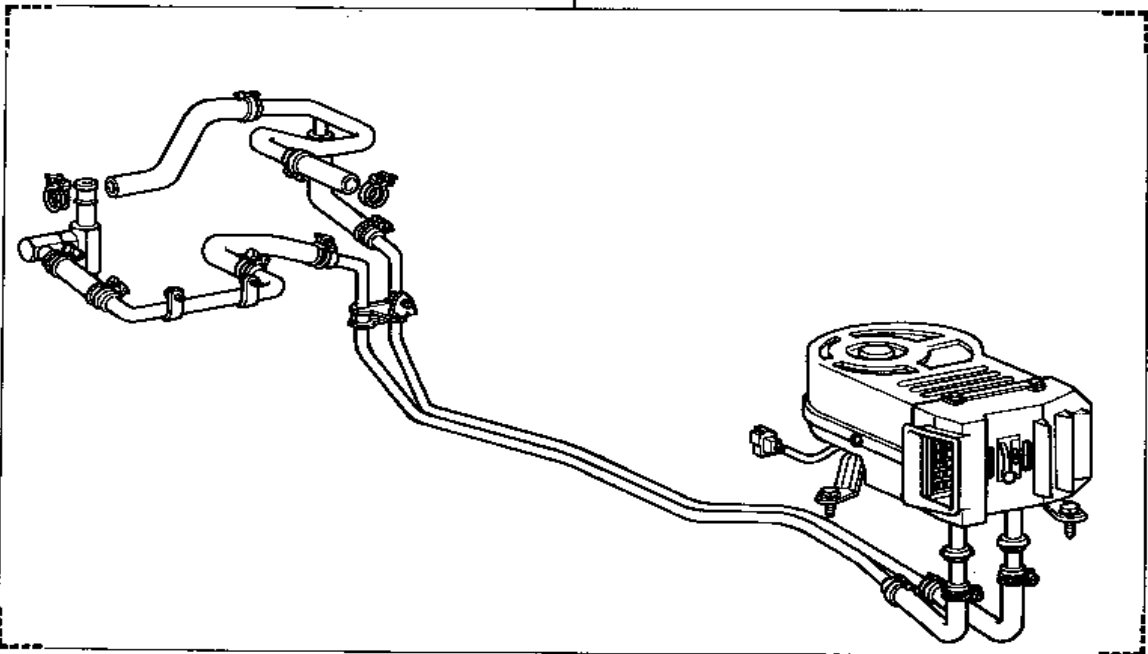
High Roof



87100  
HEATER & ACCESSORY

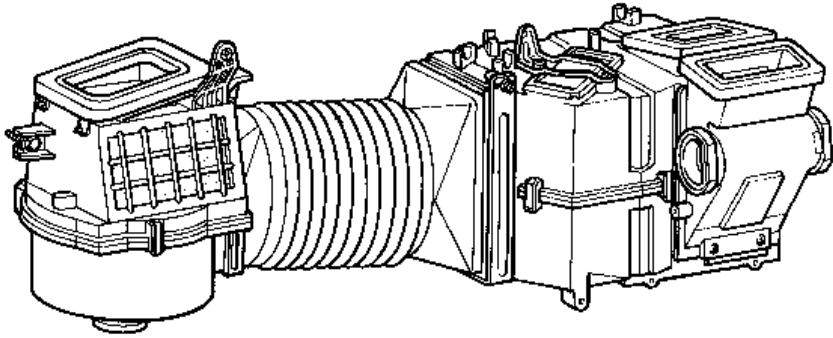


87200  
HEATER & ACCESSORY

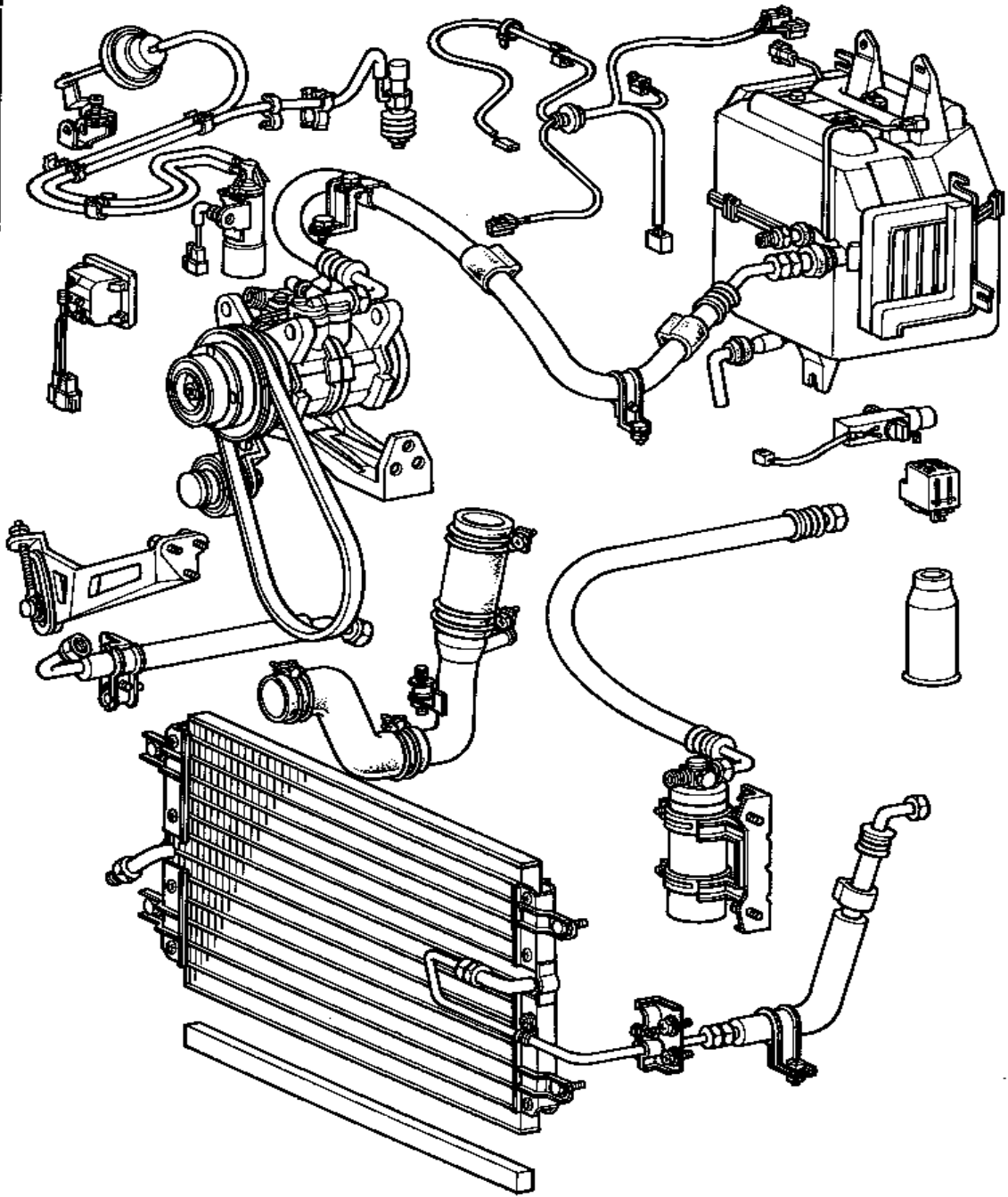




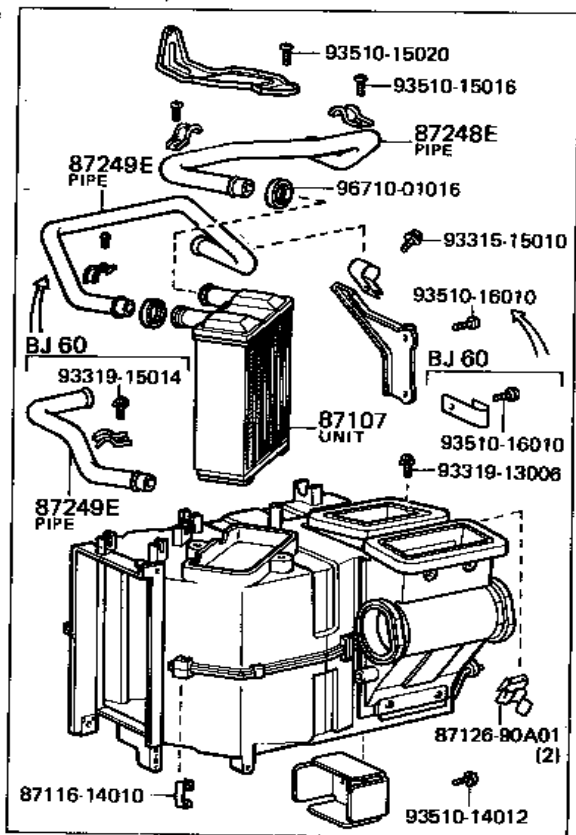
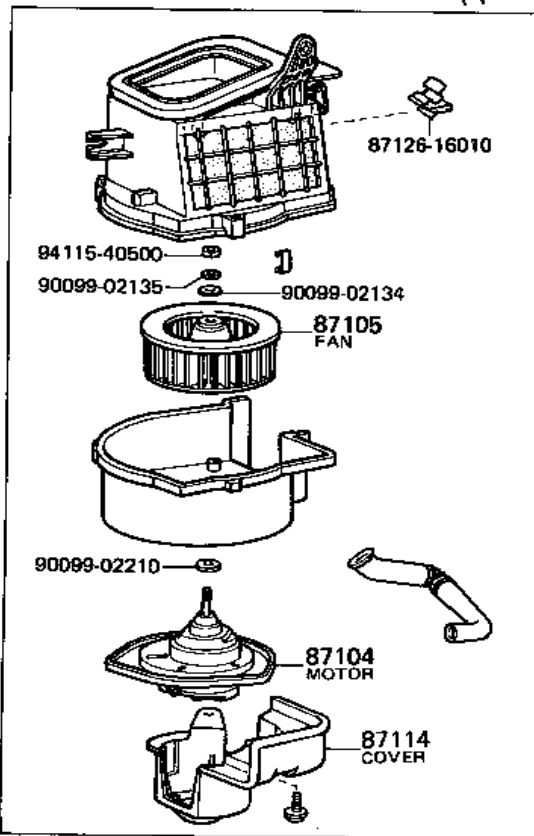
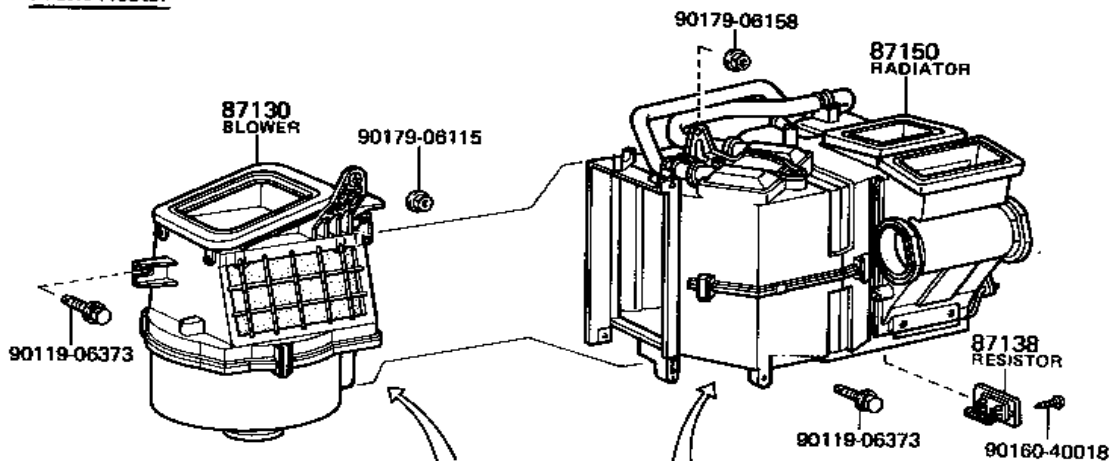
88900  
VENTILATOR & ACCESSORY



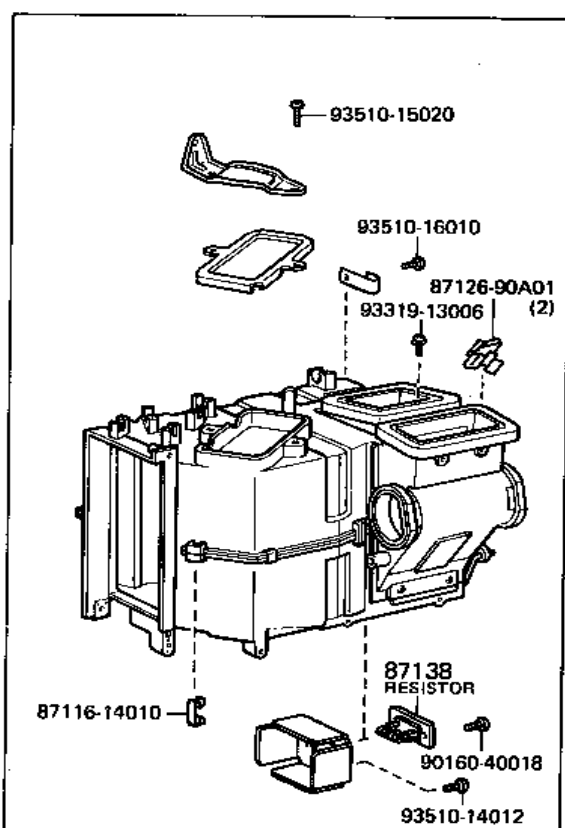
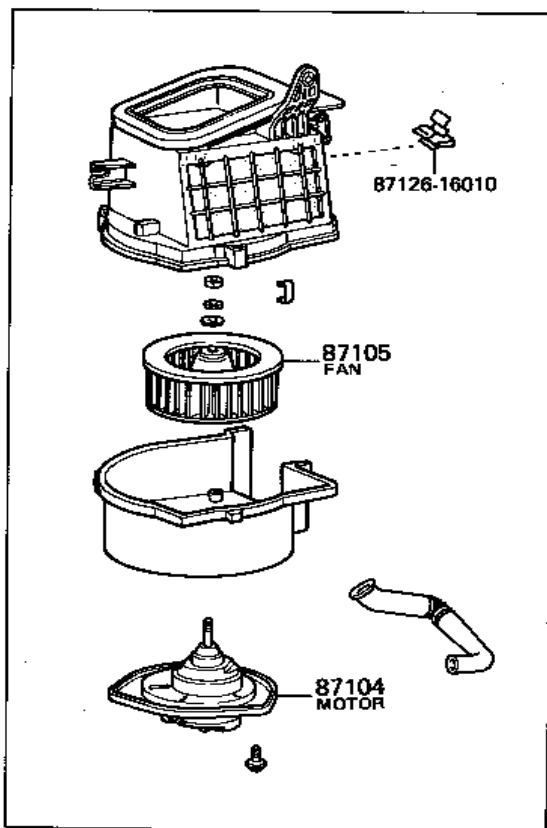
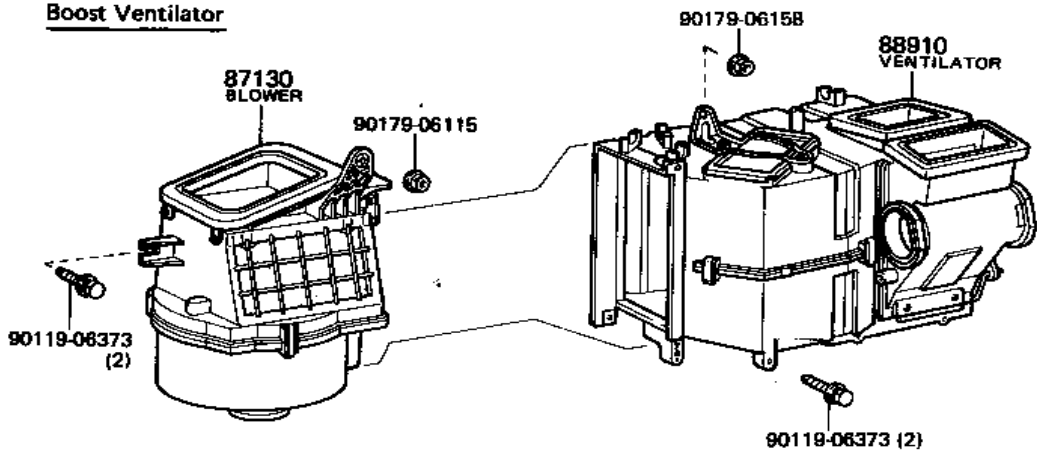
88300  
COOLER & ACCESSORY



# Front Heater

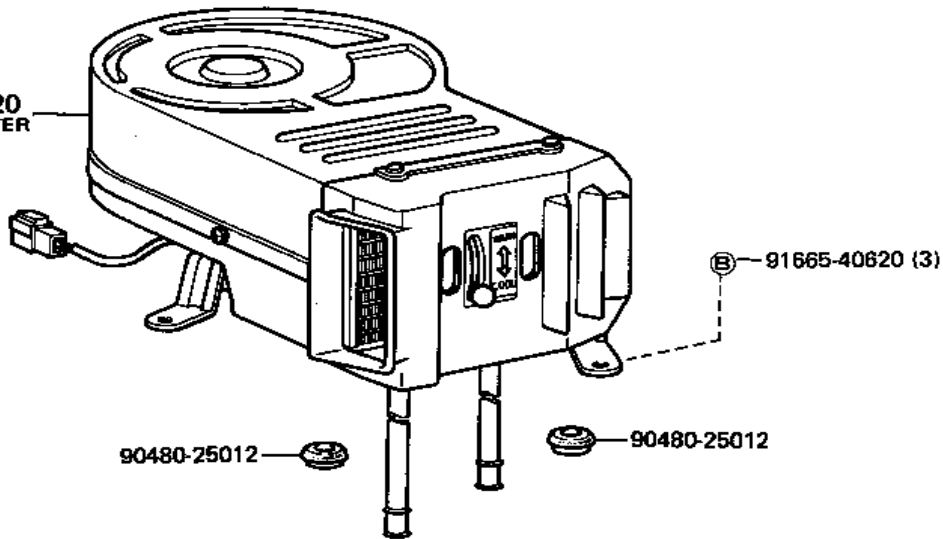


# Boost Ventilator

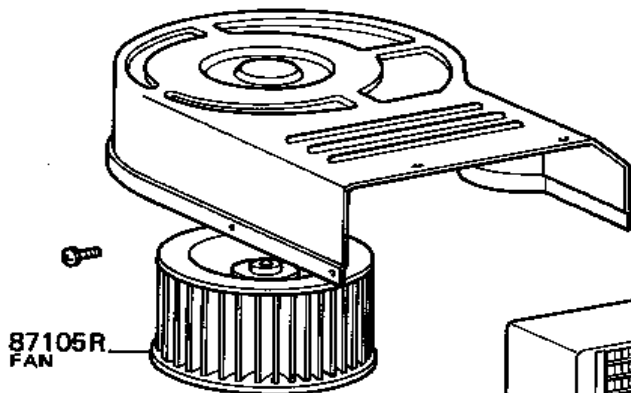


# Rear Heater

87120  
HEATER

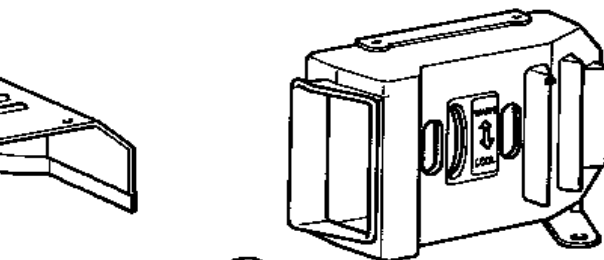


87105R  
FAN

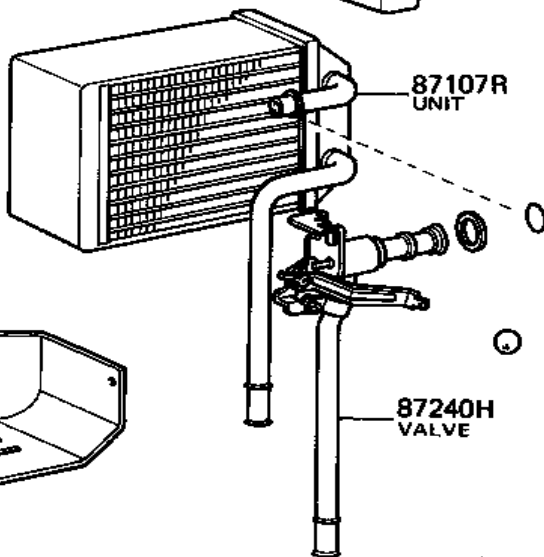


87104R  
MOTOR

87107R  
UNIT



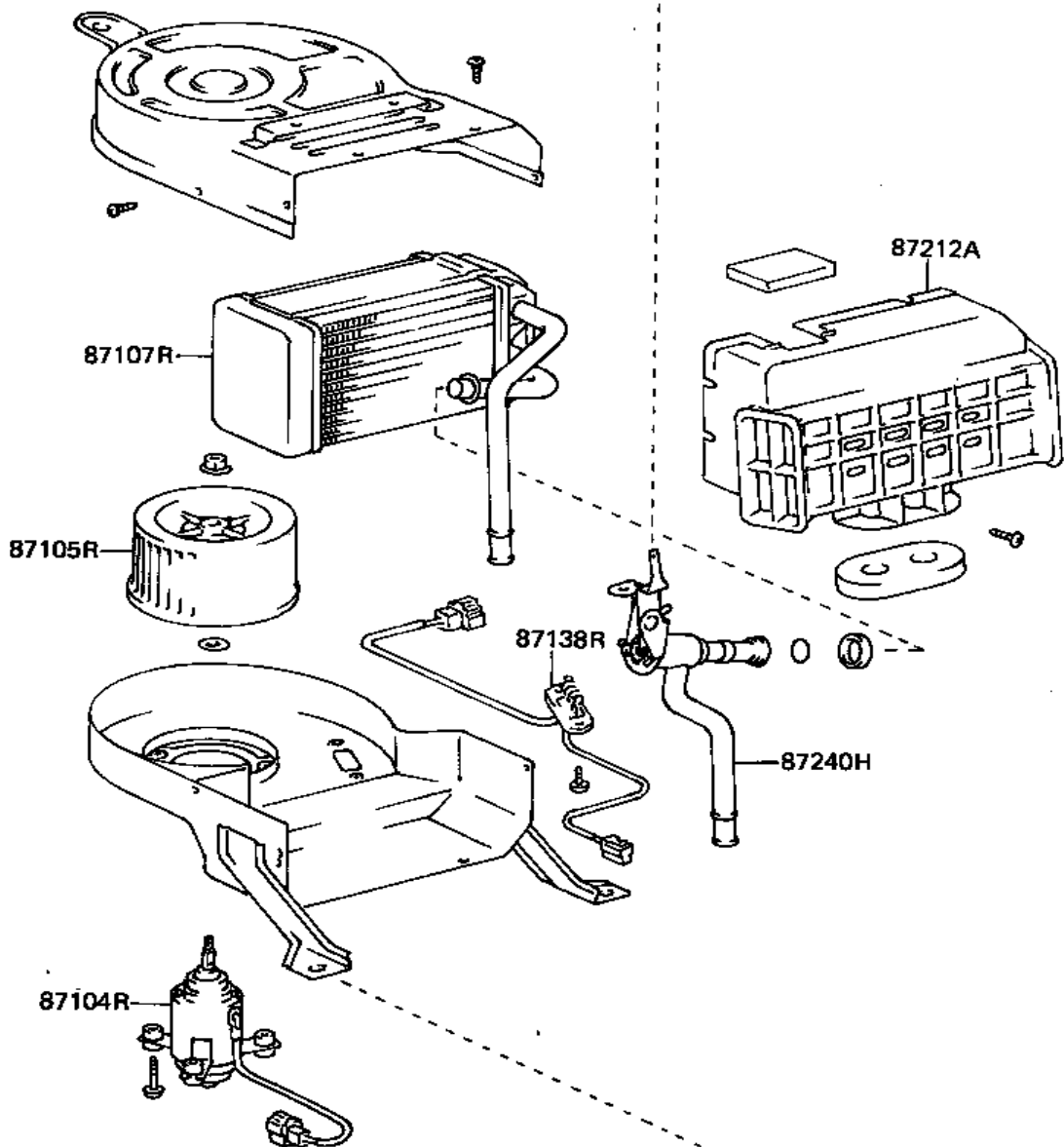
87240H  
VALVE



87123

Rear Heater

87120



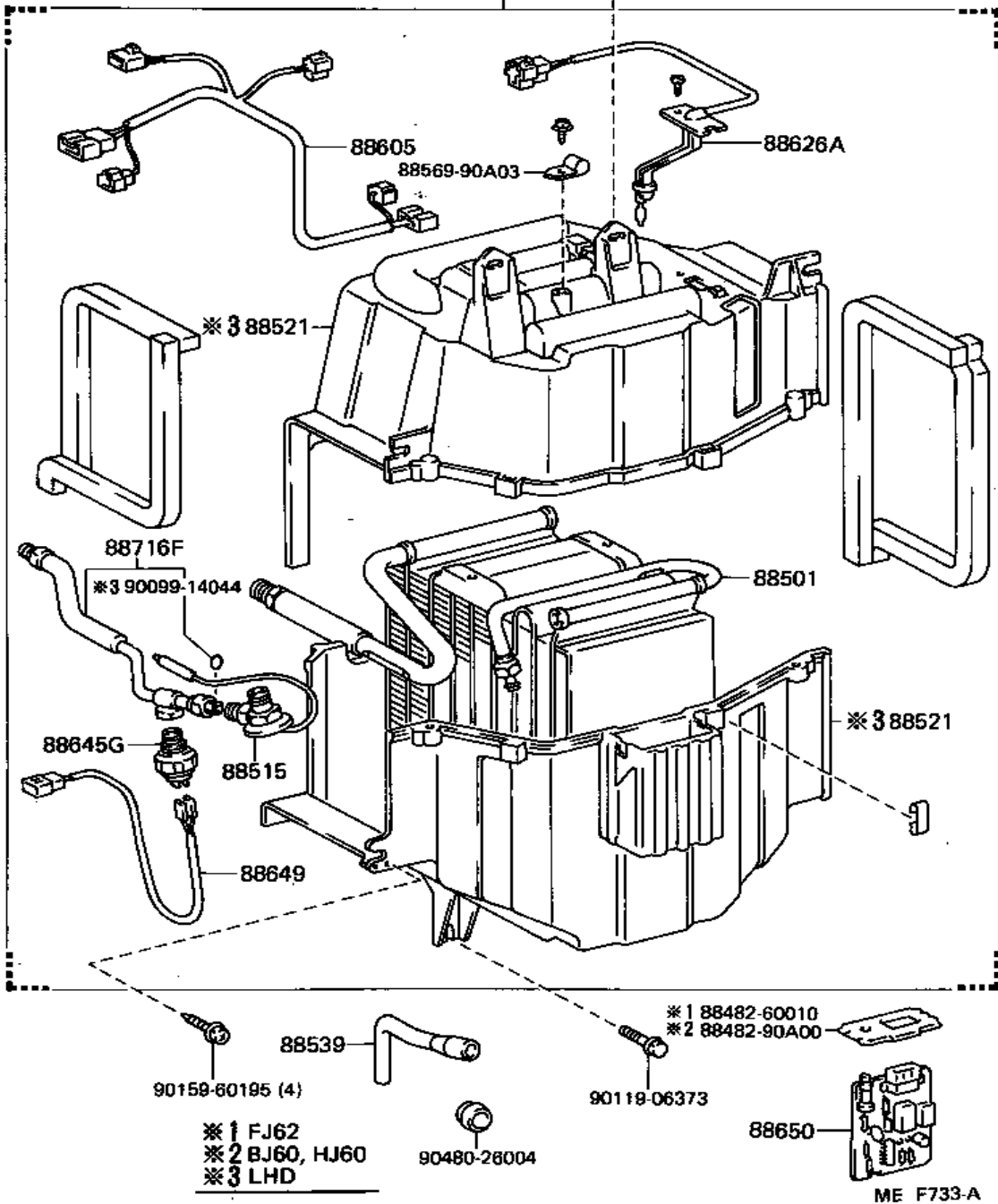
91651-40816 (3)

ME G689

**FR COOLER**

88510

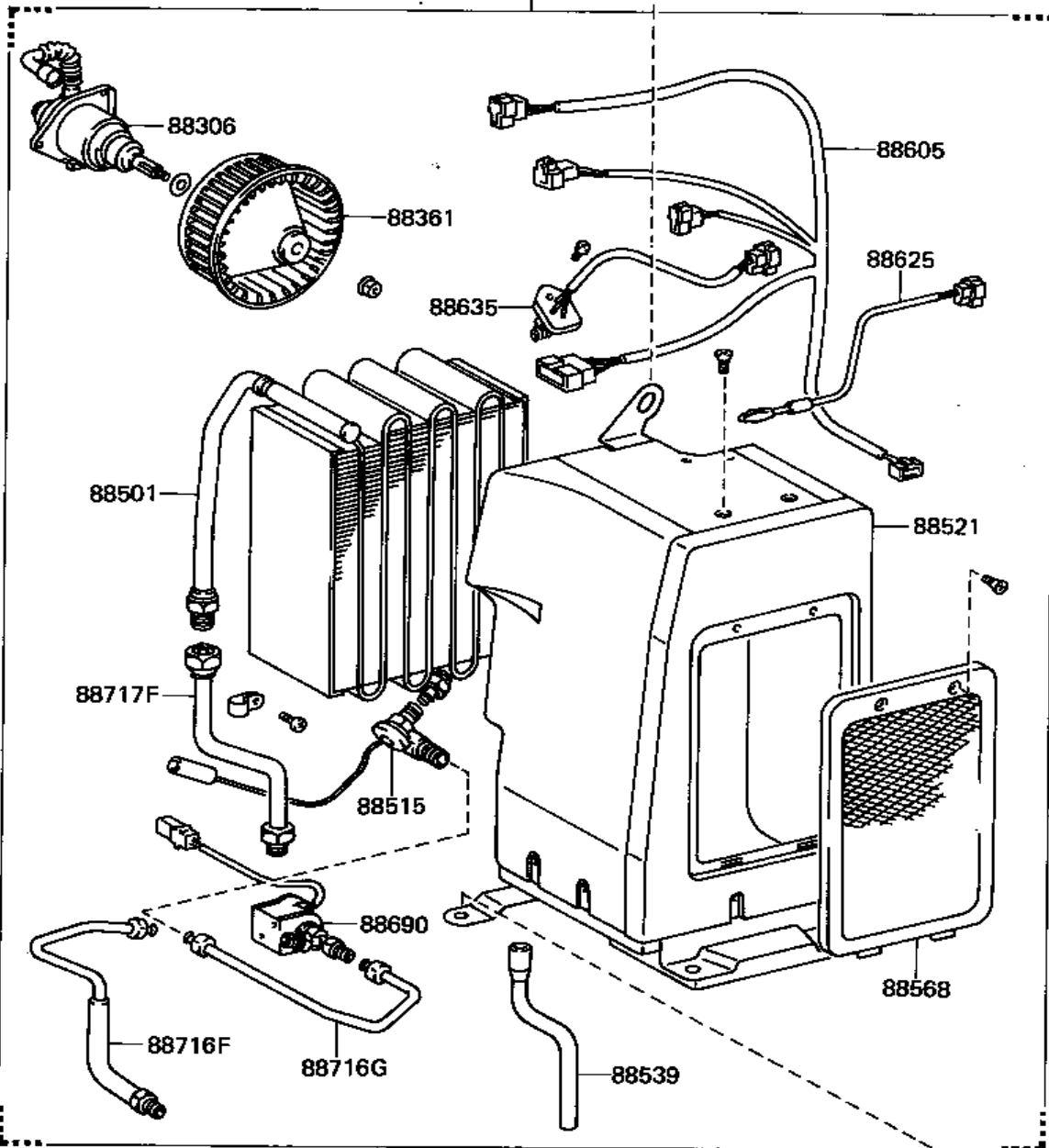
90179-06115 (2)



RR COOLER

88653-90A00

88510

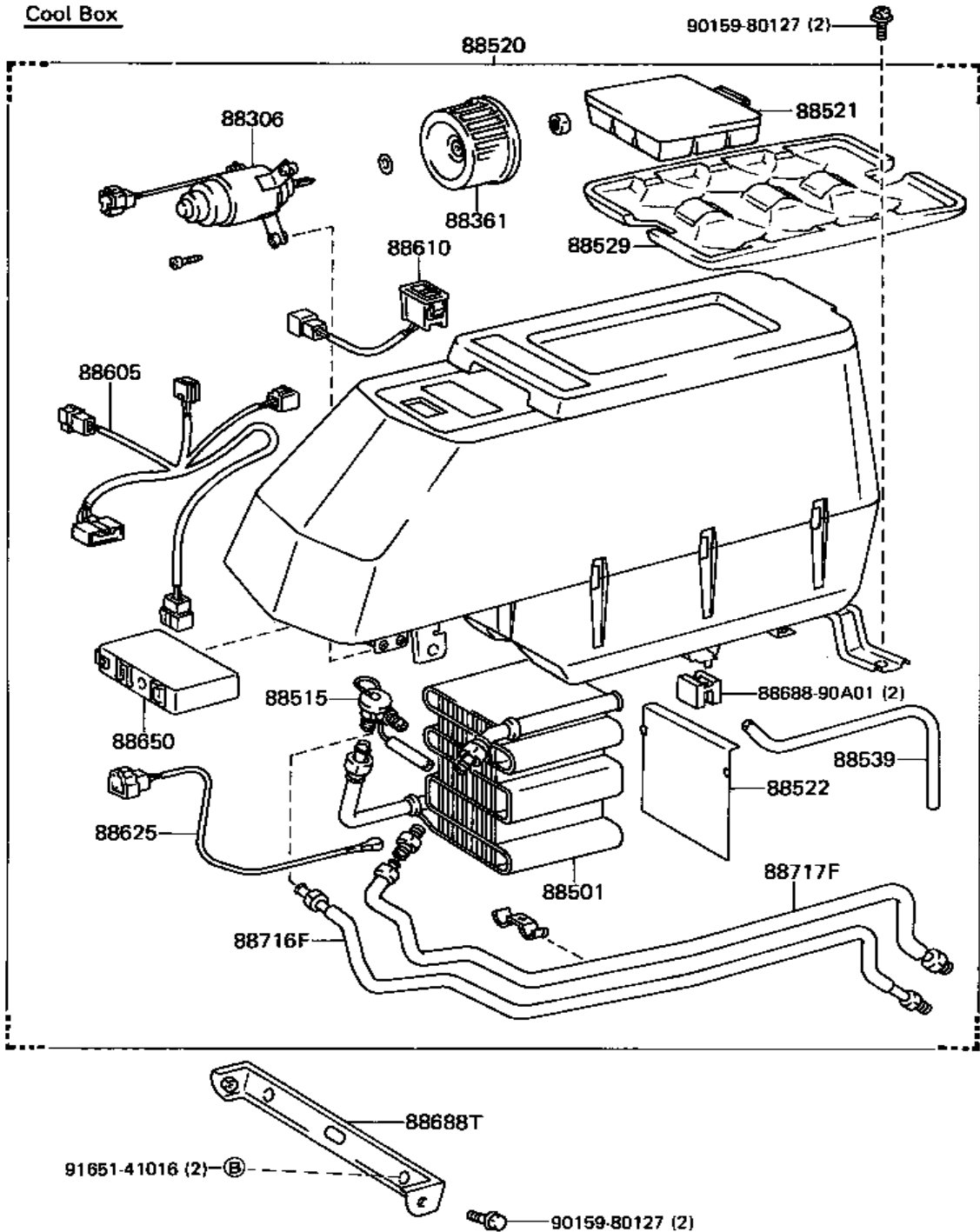


91665-40616 (3) — (B)

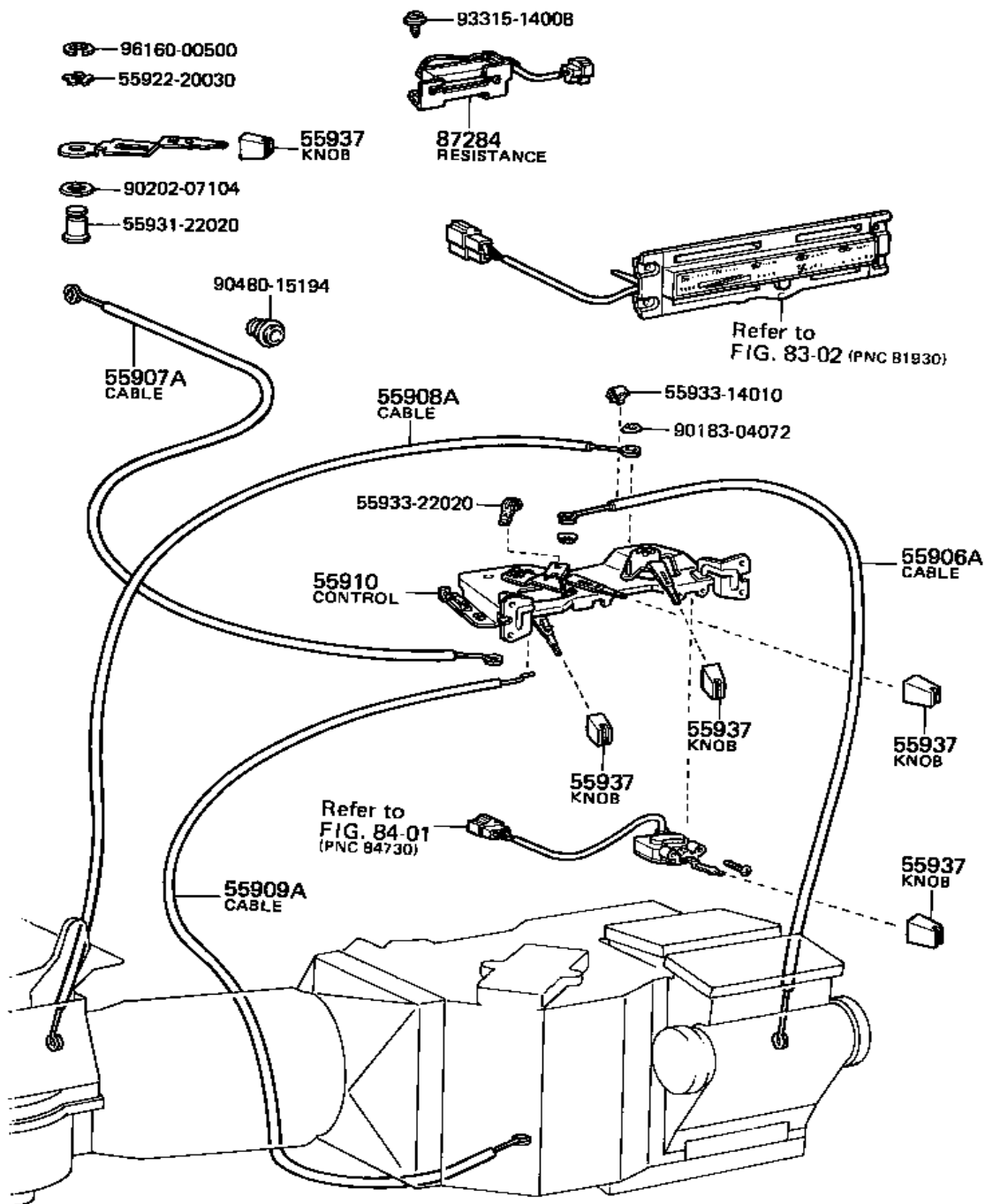
ME F450-A

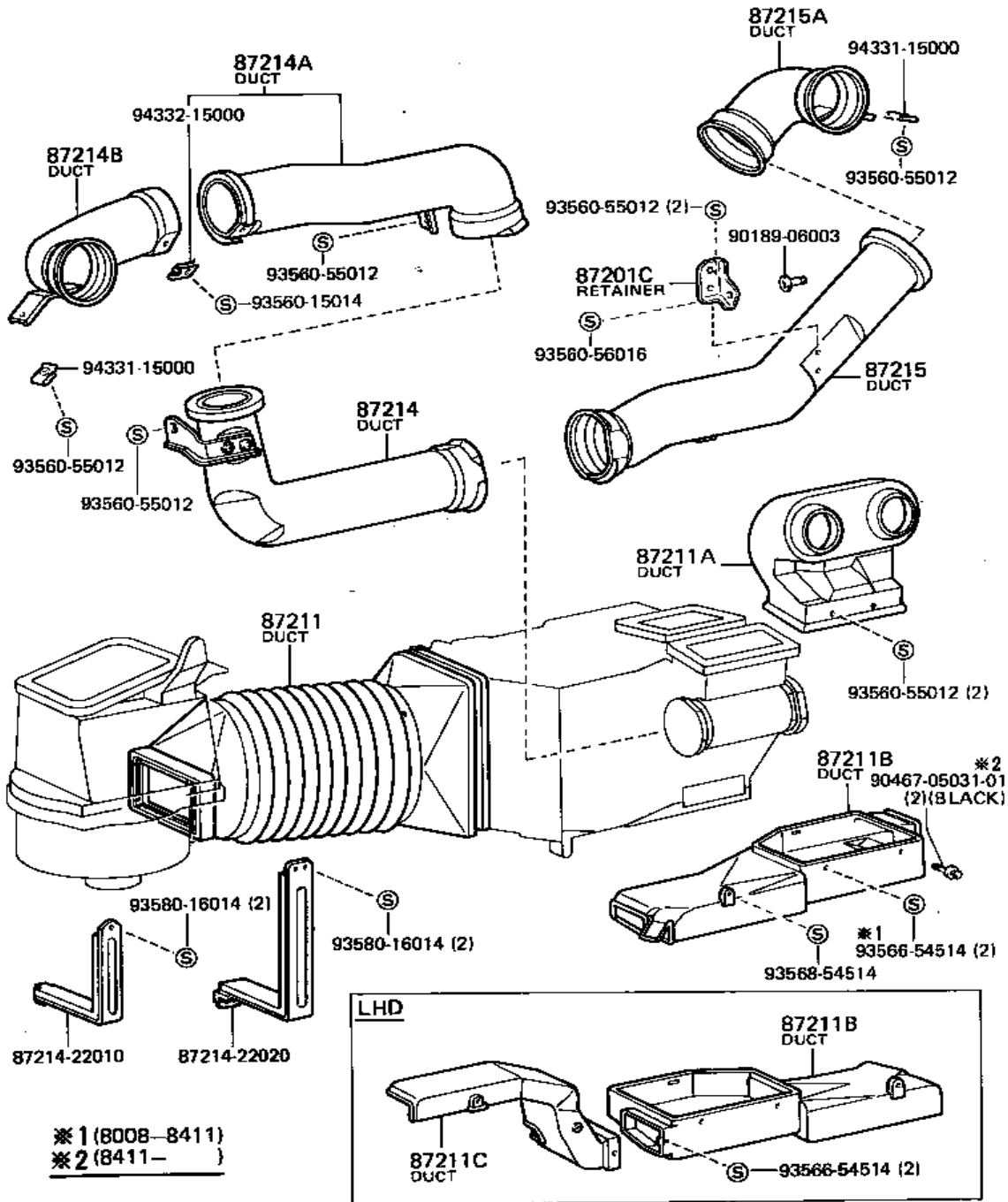


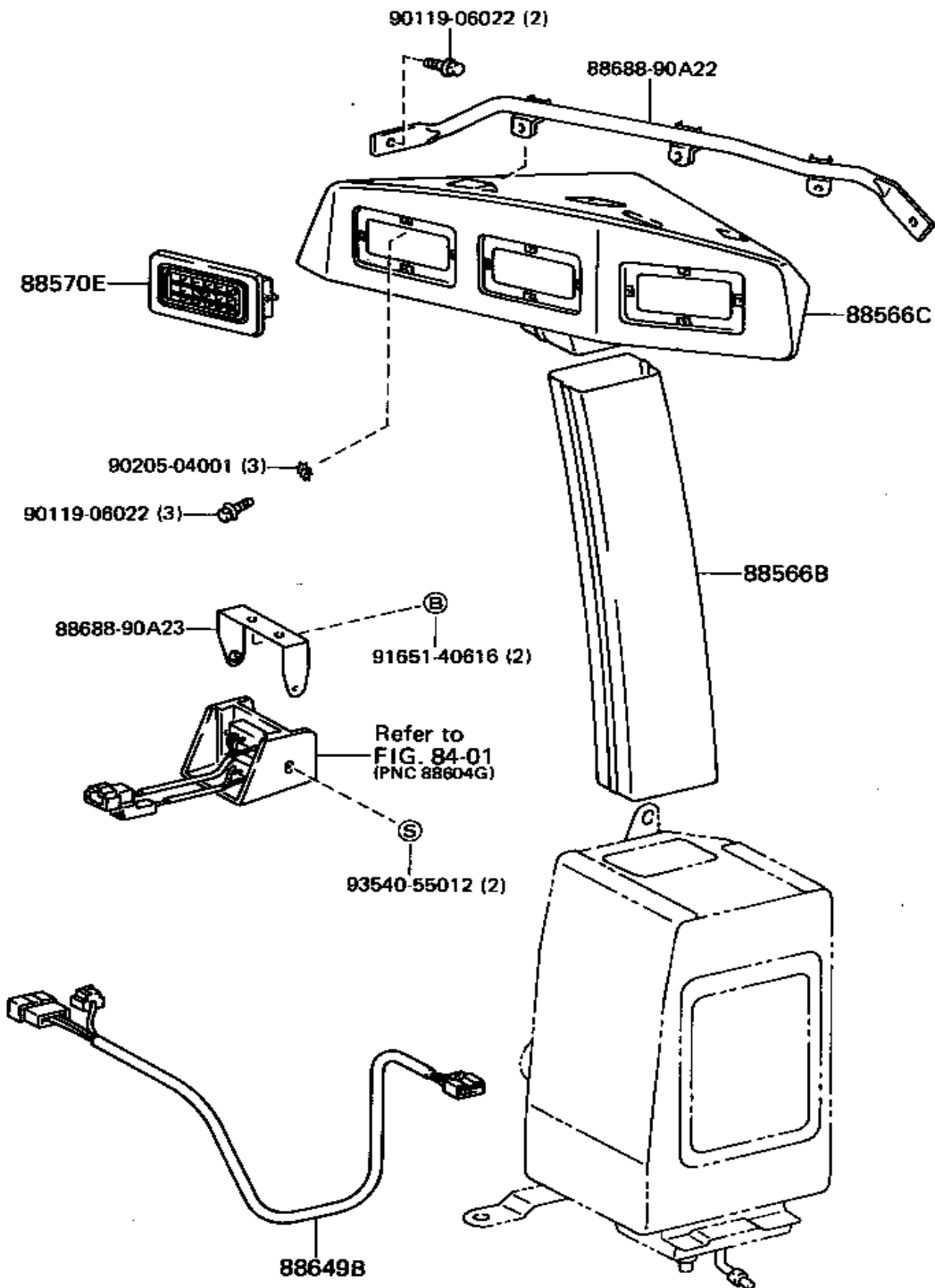
Cool Box

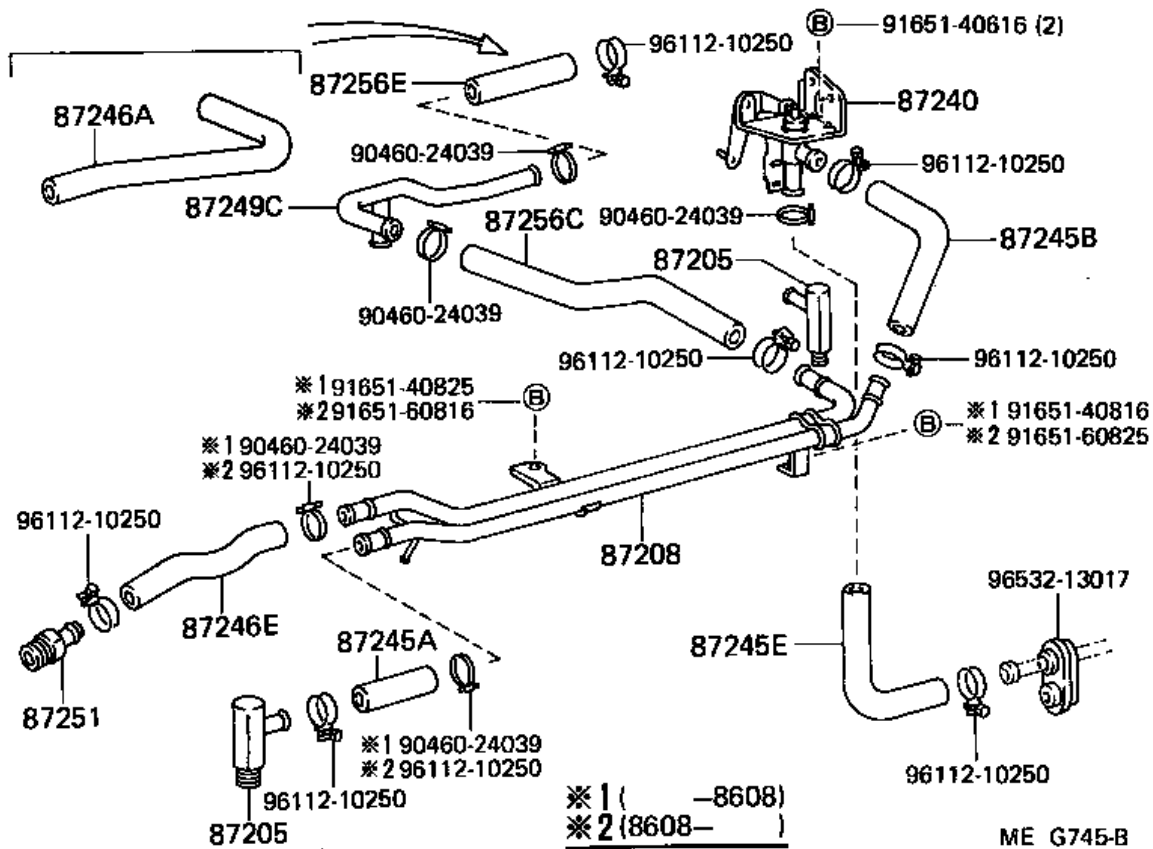


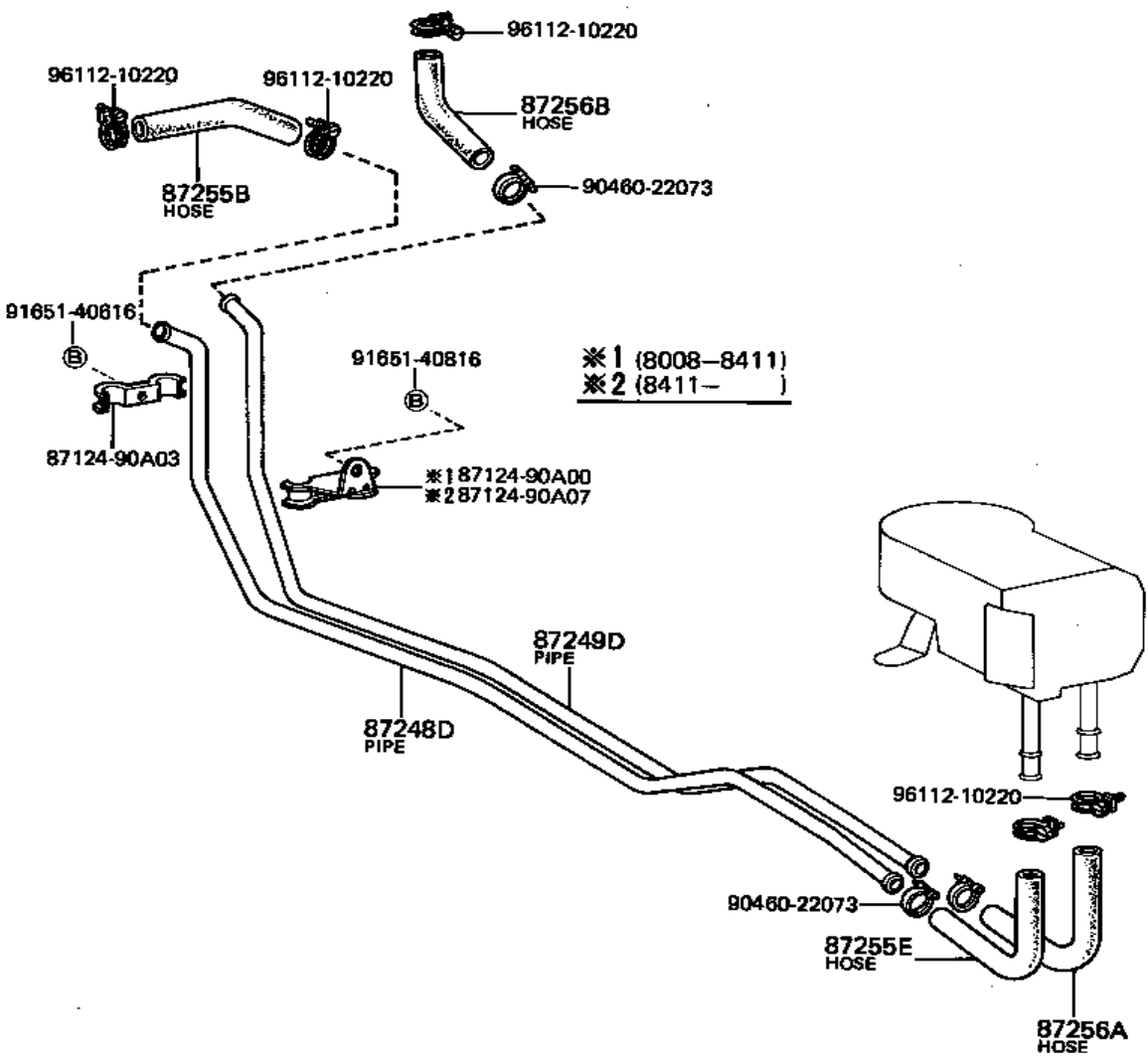
# W/Cooler (Boost Ventilator)



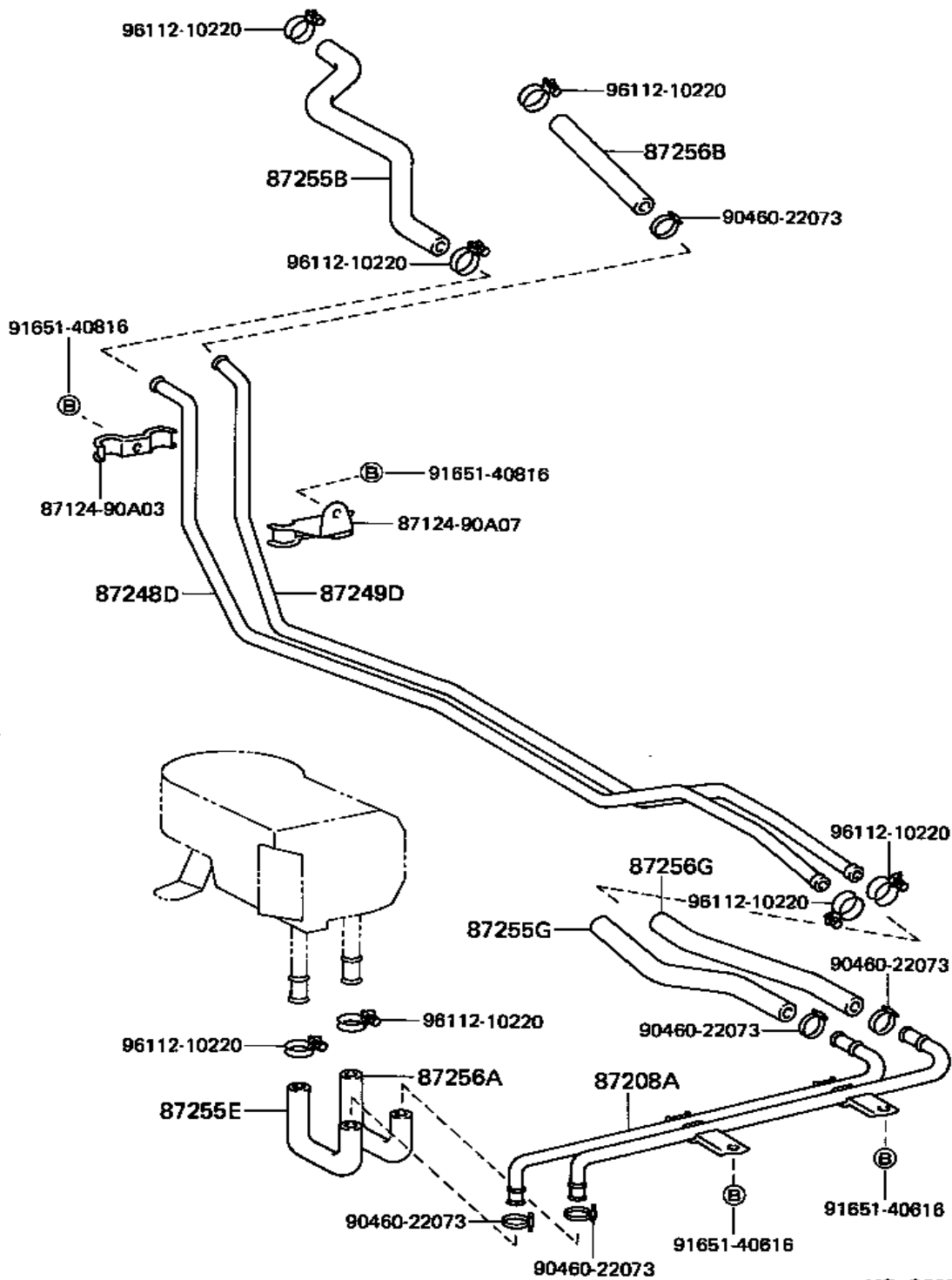




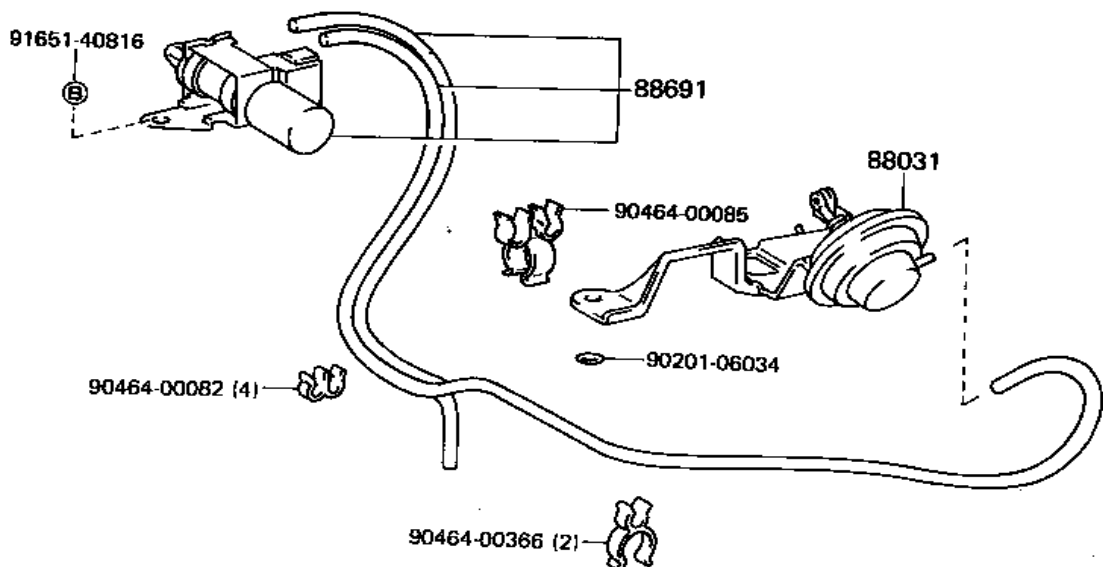




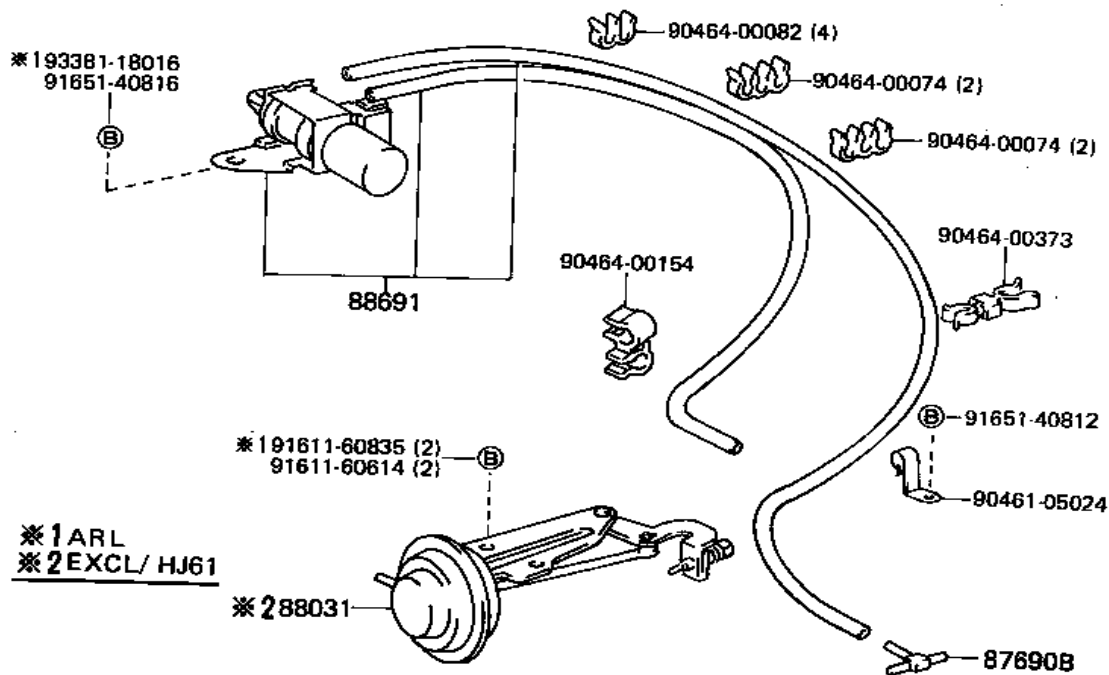
ME 9033-B



BJ60

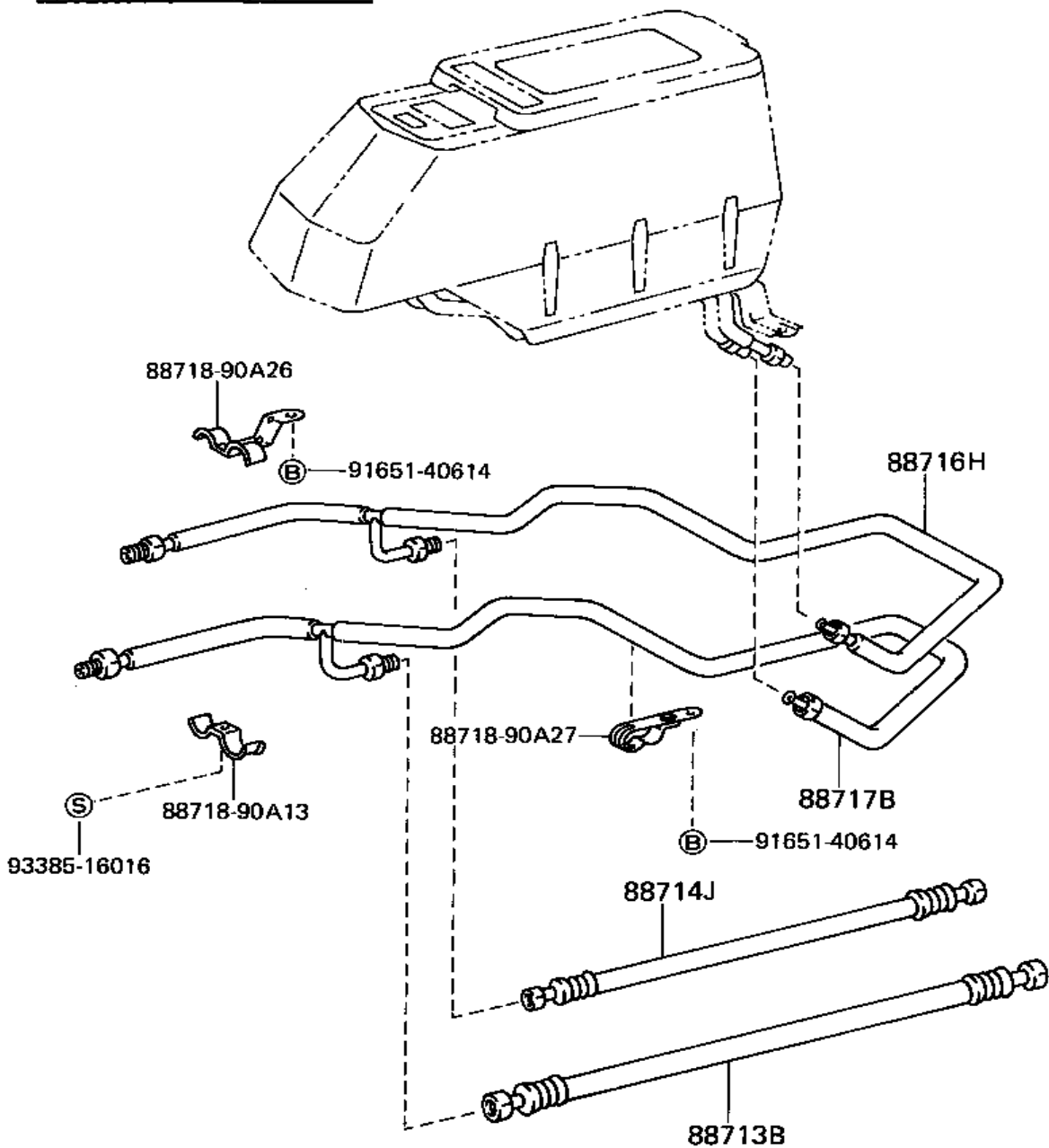


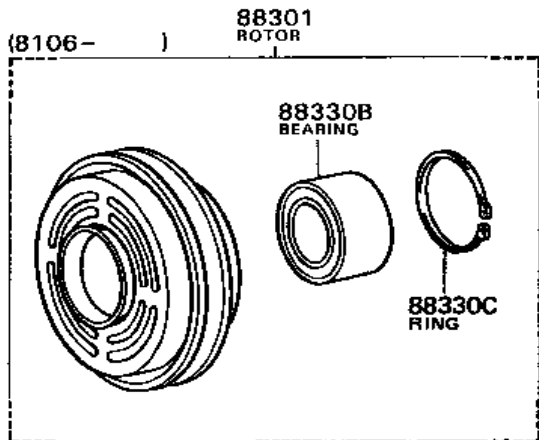
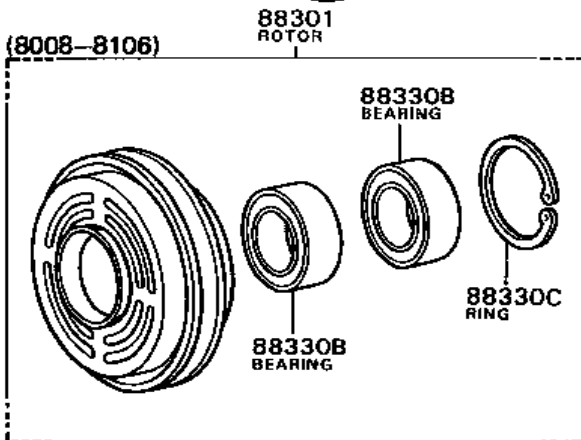
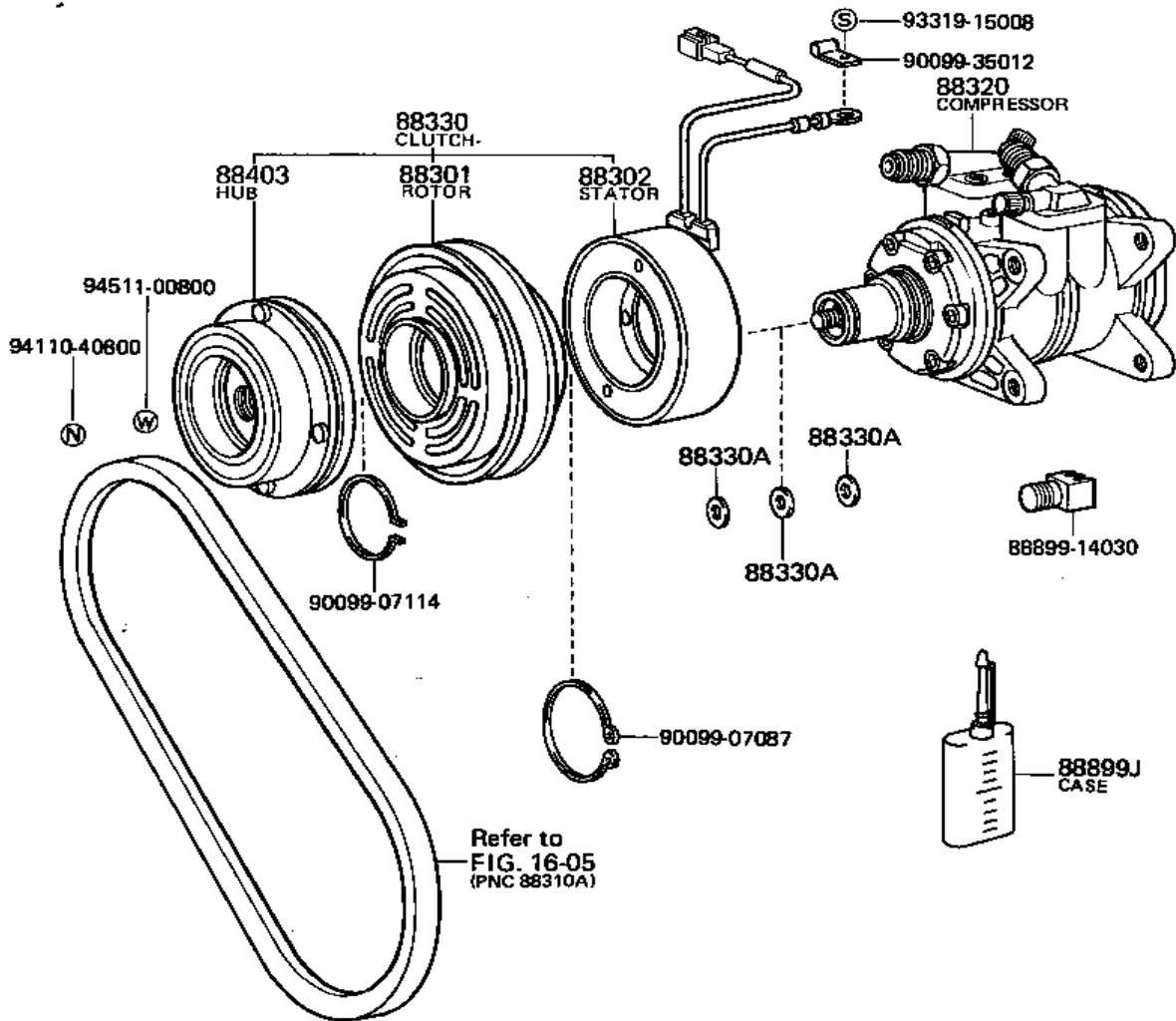
HJ6#



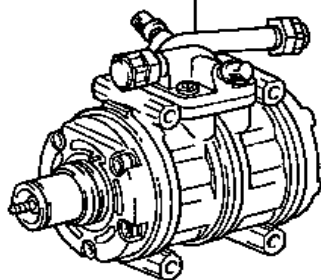


W/ RR Cooler & Cool Box





**88320**  
COMPRESSOR



**88335**  
GASKET KIT

